

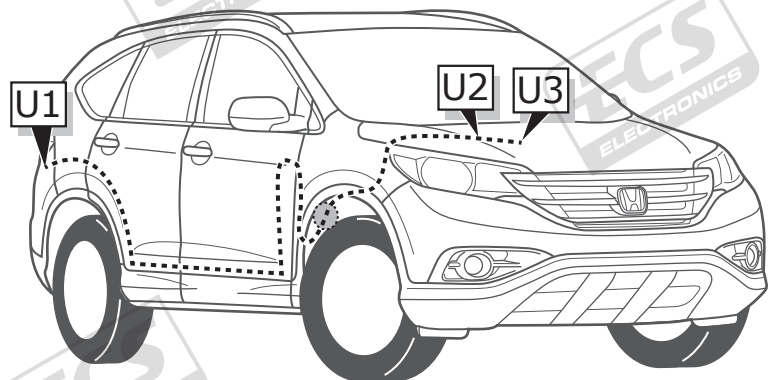
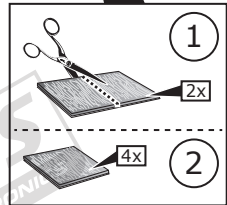
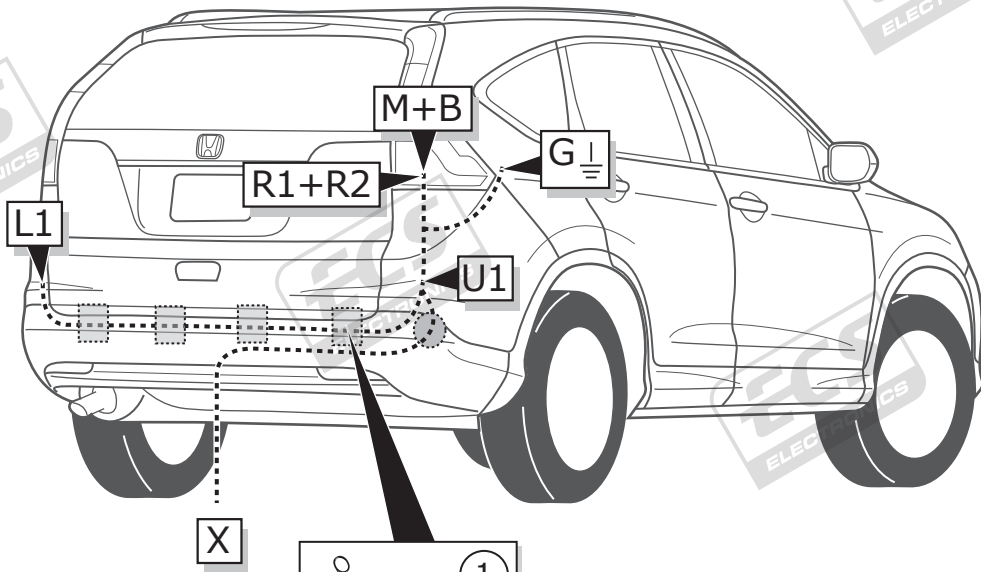
Honda CR-V 2012-

Partnr.: HN-555-DHU

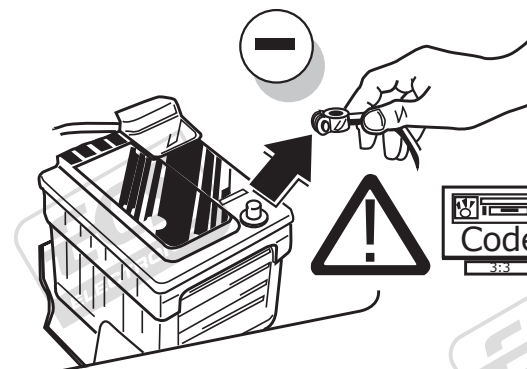
- Fitting instructions electric wiring kit tow bar with 13-P socket up to DIN/ISO Norm 11446.
- We would expressly point out that assembly not carried out properly by a competent installer will result in cancellation of any right to damage compensation, in particular those arising by virtue of the product liability act.
- Contents of these kits and their fitting manuals are subject to alteration without notice, please ensure that these instructions are read and fully understood before commencing installation.
- Do not overload circuits; the maximum loads per connection are detailed in this manual.
- Attention! Before Installation, please read this manual carefully and inform your customer to consult the vehicle owners manual to check for any vehicle modifications required before towing.
- In the event of functional problems, troubleshooting must be limited to about 0.5 hours, contact the technical support:
t.skinner@ecs-electronics.com / 07440 202 052.



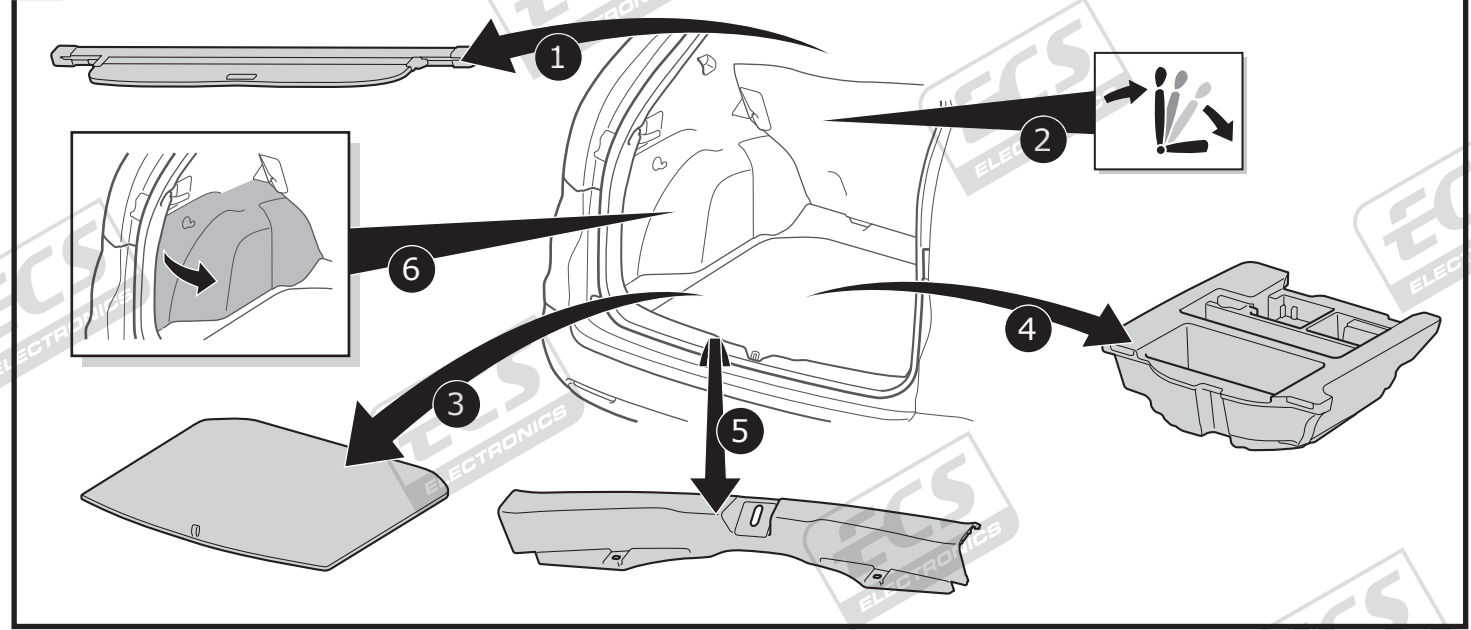
ROUTING



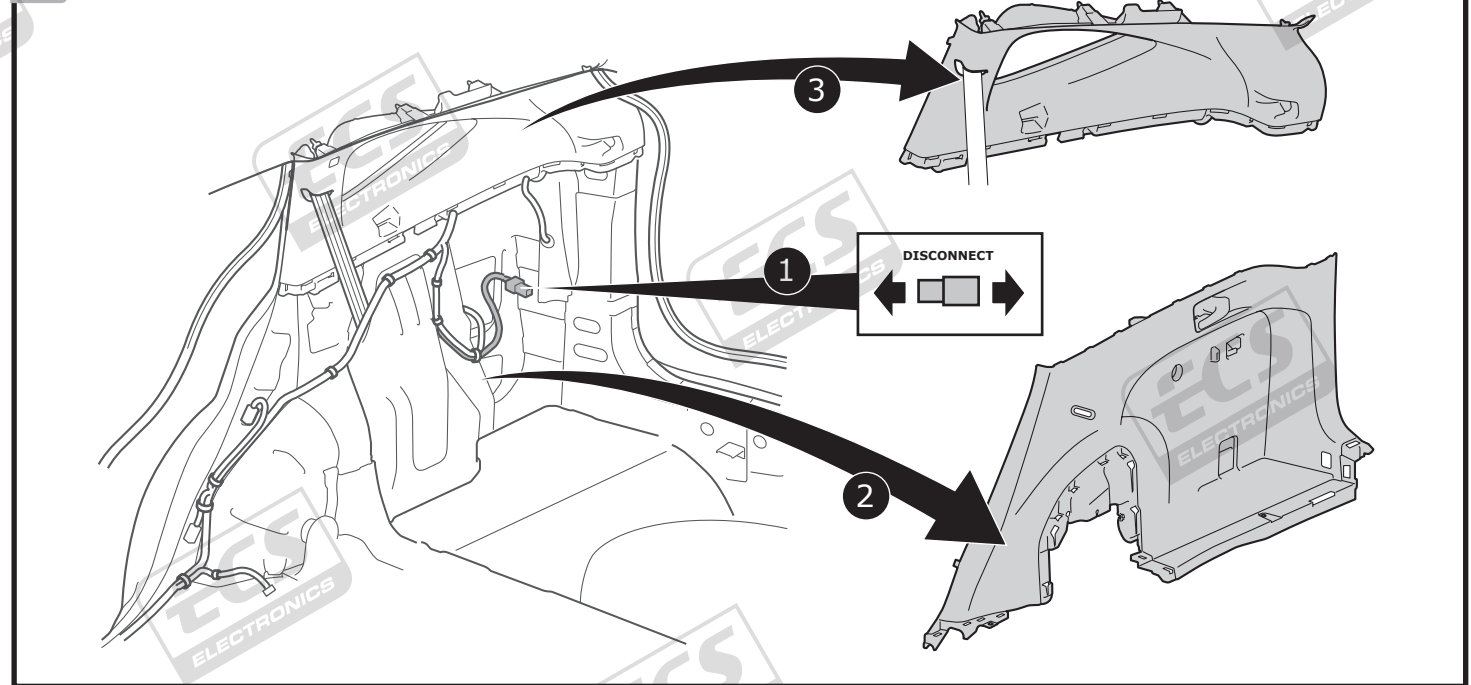
1



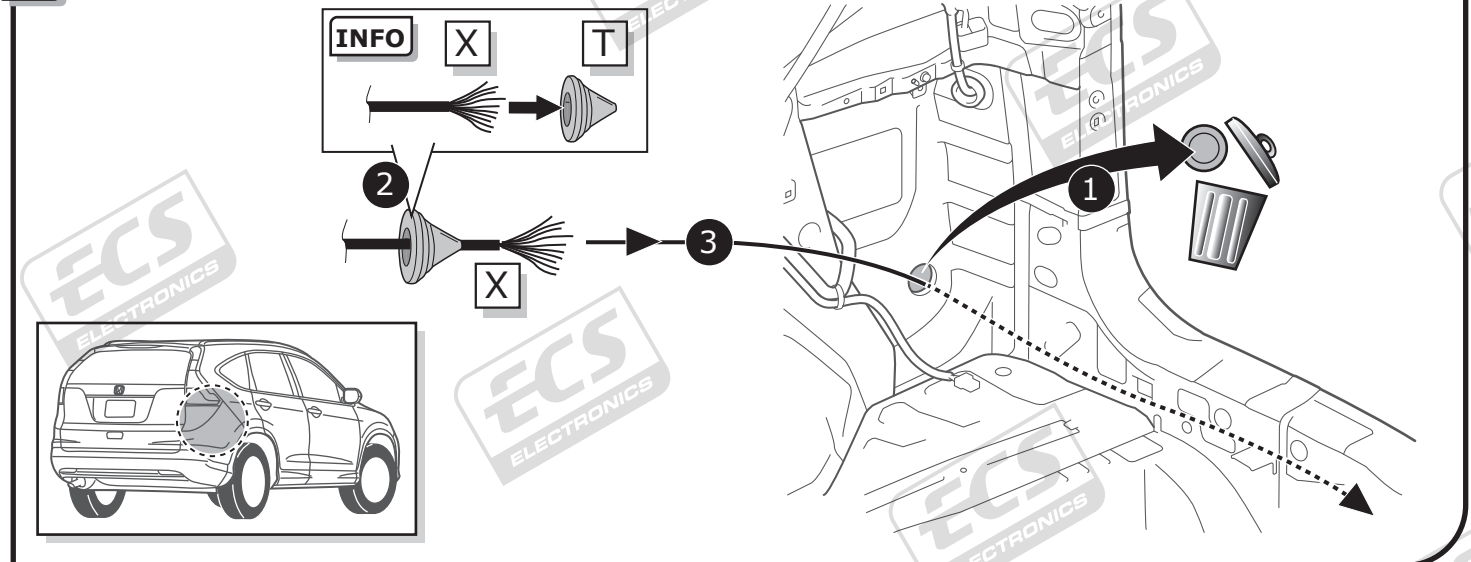
2

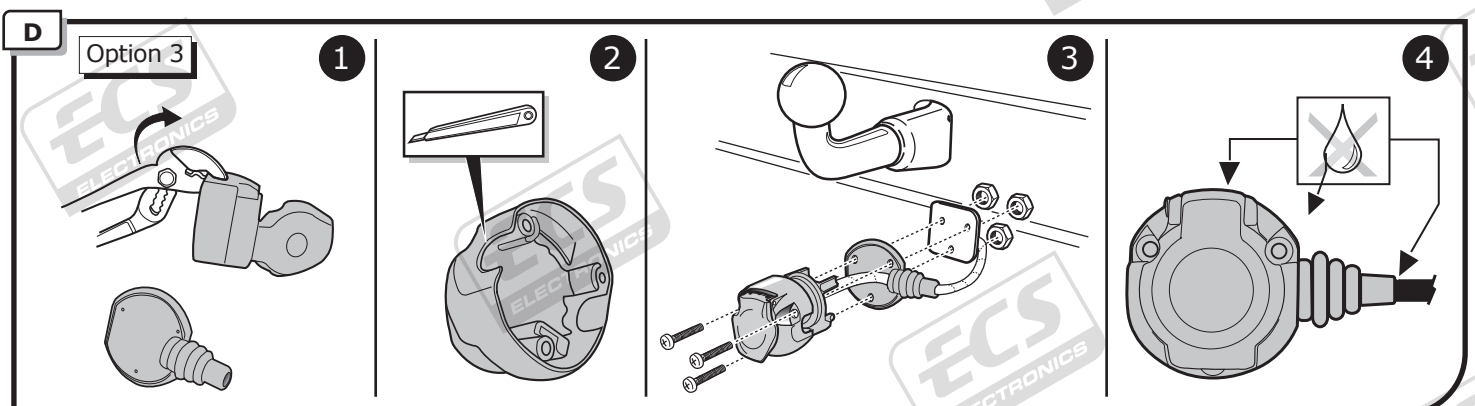
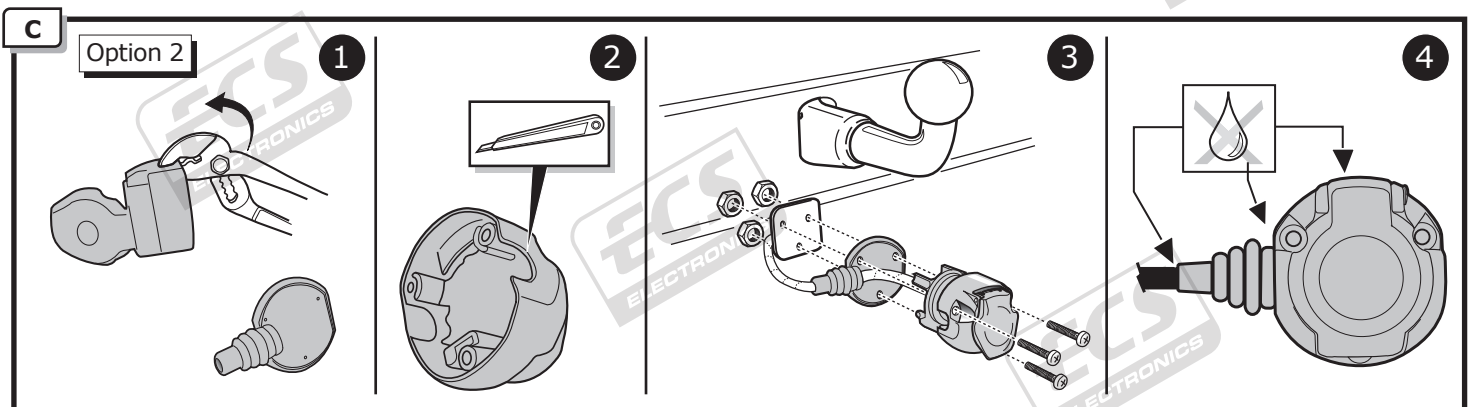
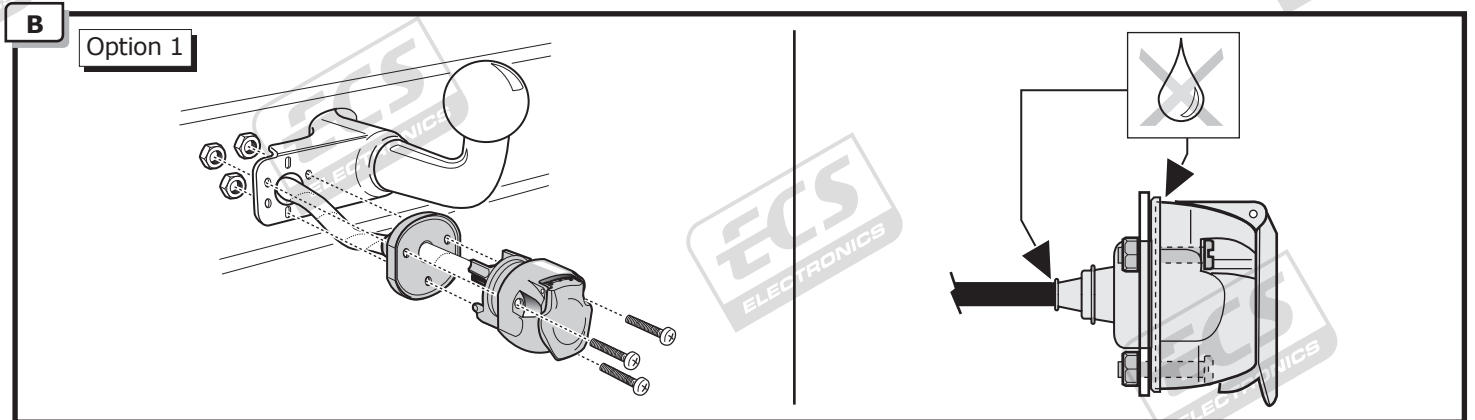
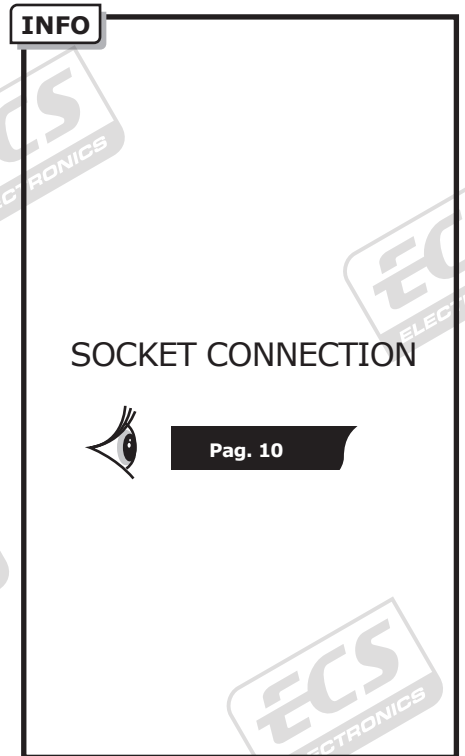
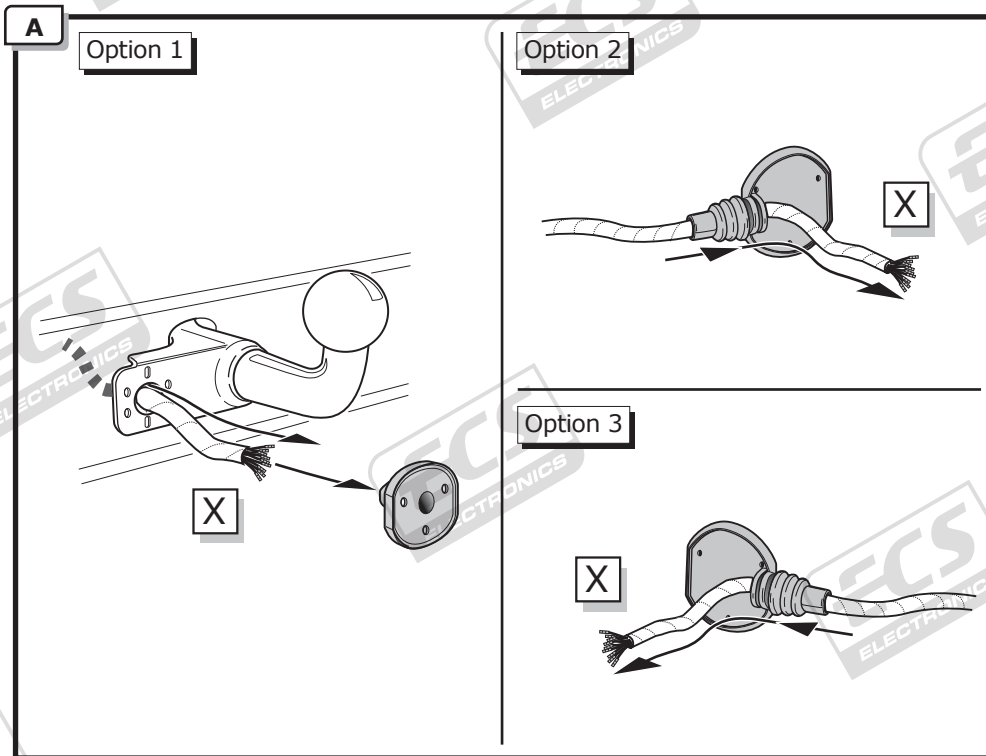


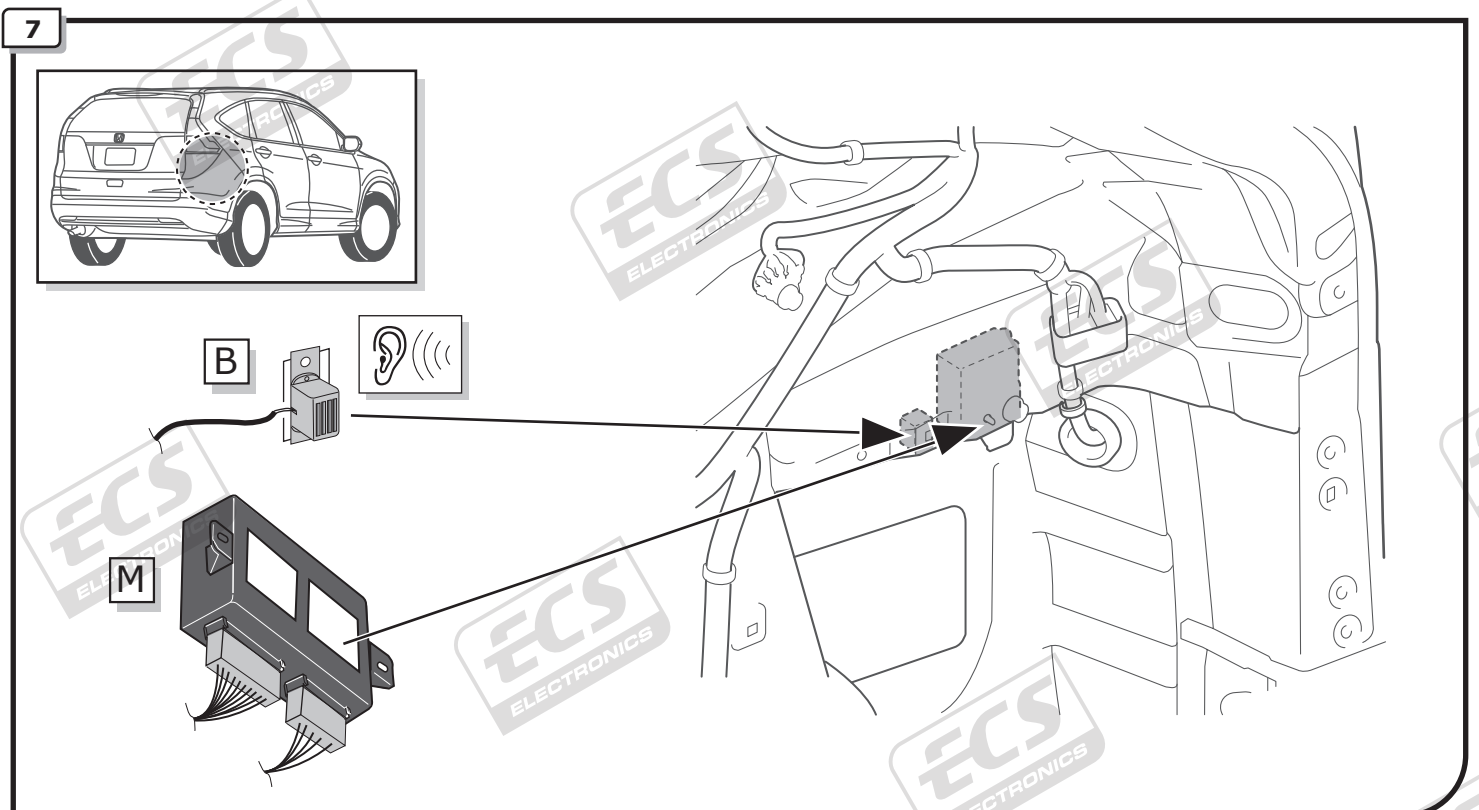
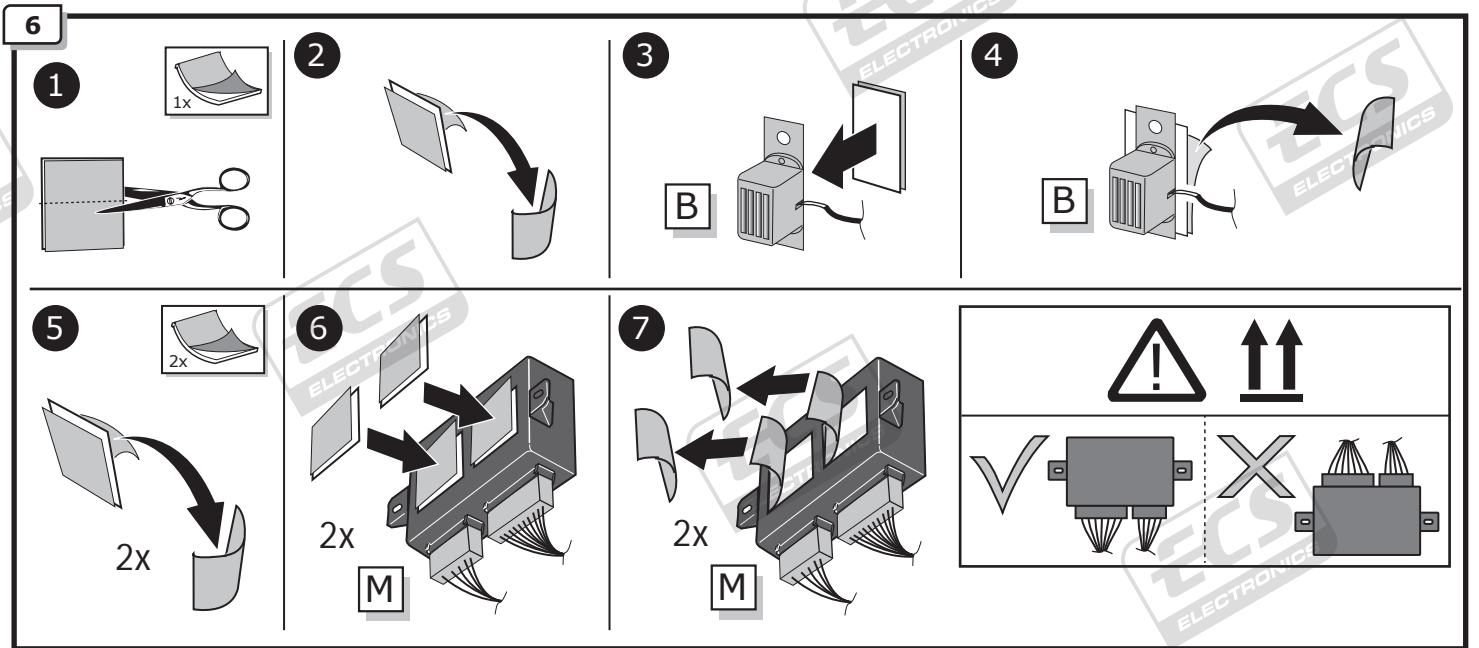
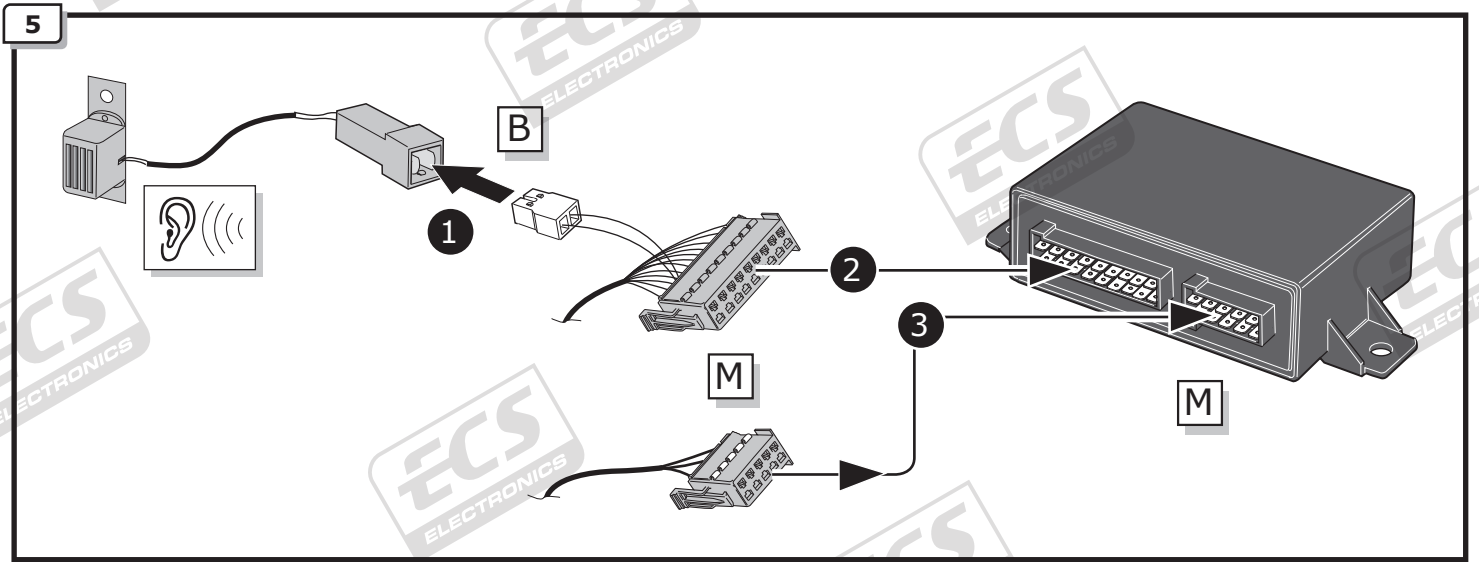
3



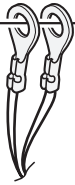
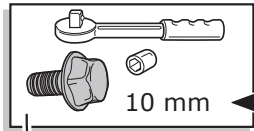
4





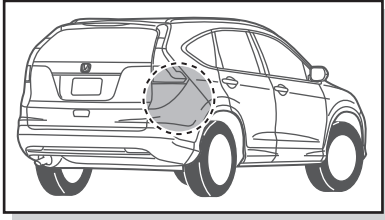
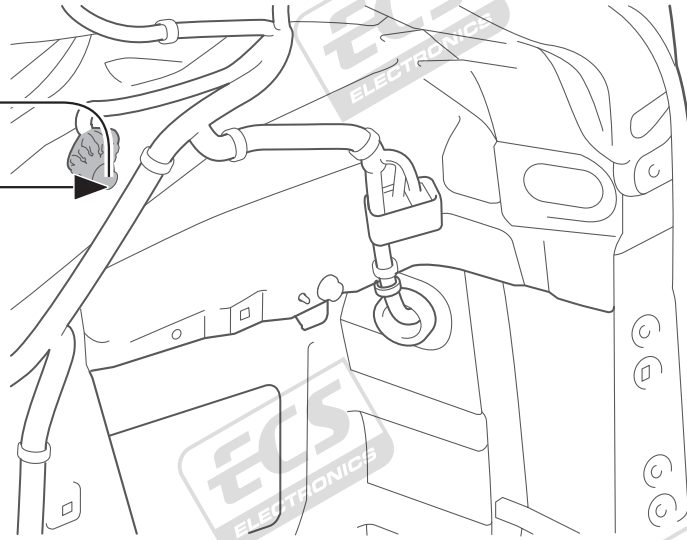


8

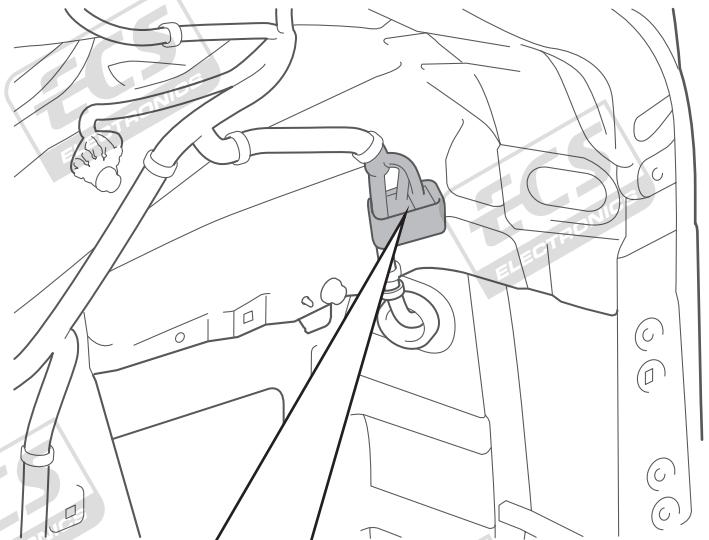
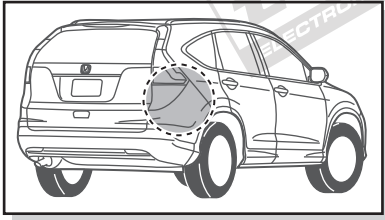


1

2



9



Remove tape.

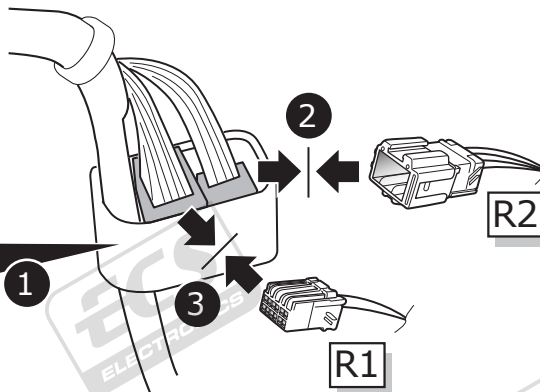
1

2

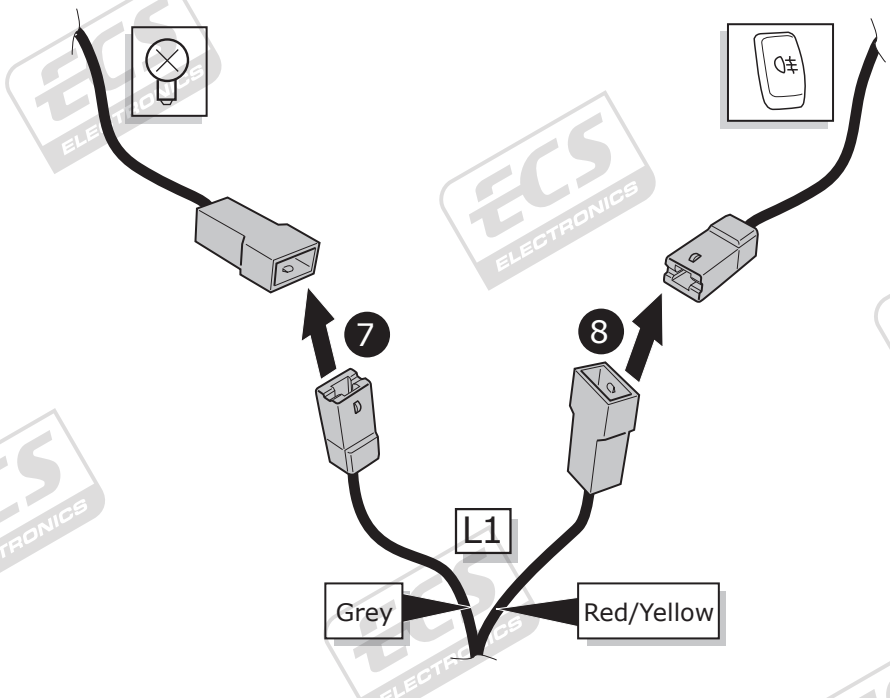
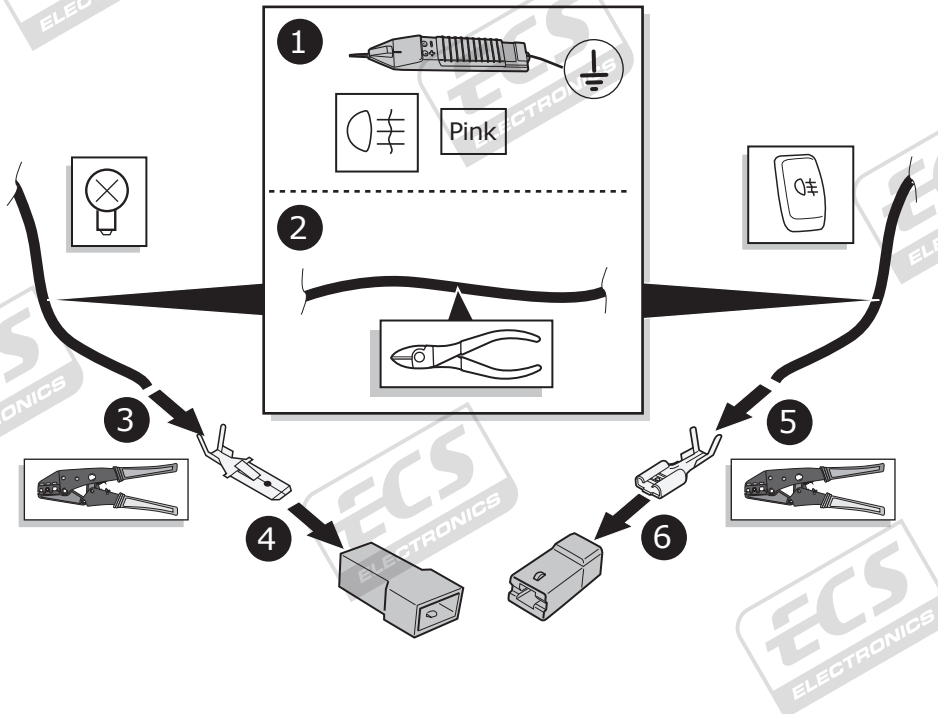
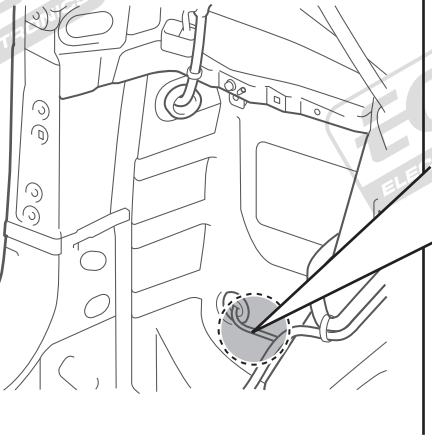
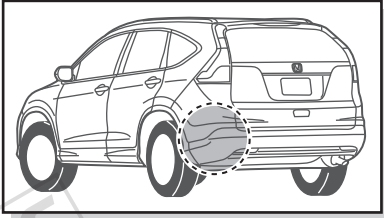
3

R2

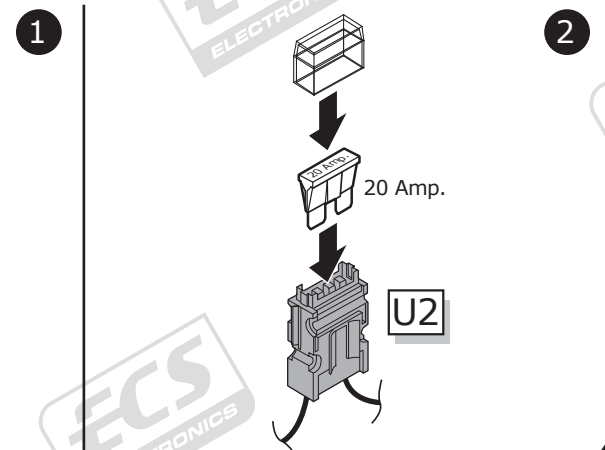
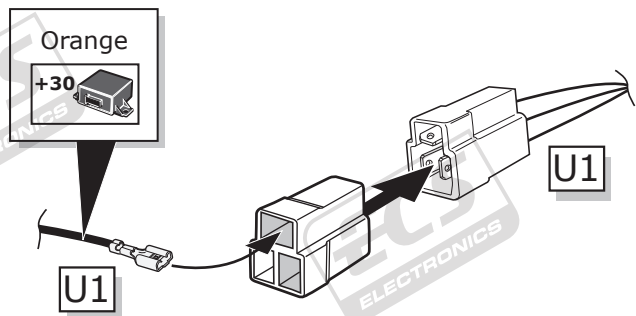
R1



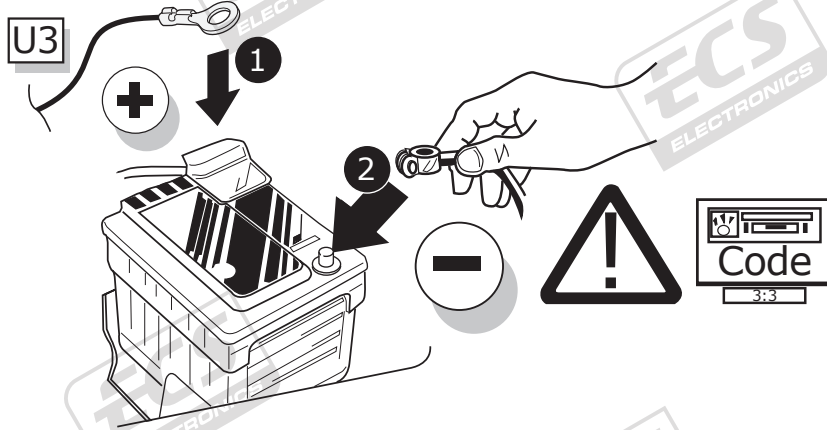
10



11



12



13

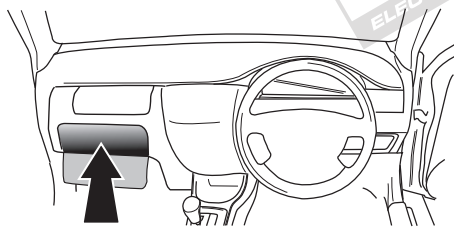


TEST ALL THE CIRCUITS WITH A TEST DEVICE WITH THE CORRECT POWER LOAD FOR EACH FUNCTION. A TEST DEVICE WITH LED'S CANNOT BE USED FOR THIS PURPOSE.

INFO

REINSTALL TRIM.

14



User guide

TECHNICAL SUPPORT

CALL 07440 202 052

ECS ELECTRONICS MONDAY TO FRIDAY
09.00 - 11.00 am
12.00 - 05.00 pm
l.skinner@ecs-electronics.com
www.ecs-electronicsuk.co.uk

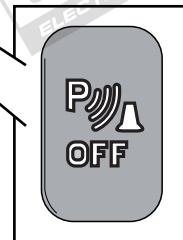
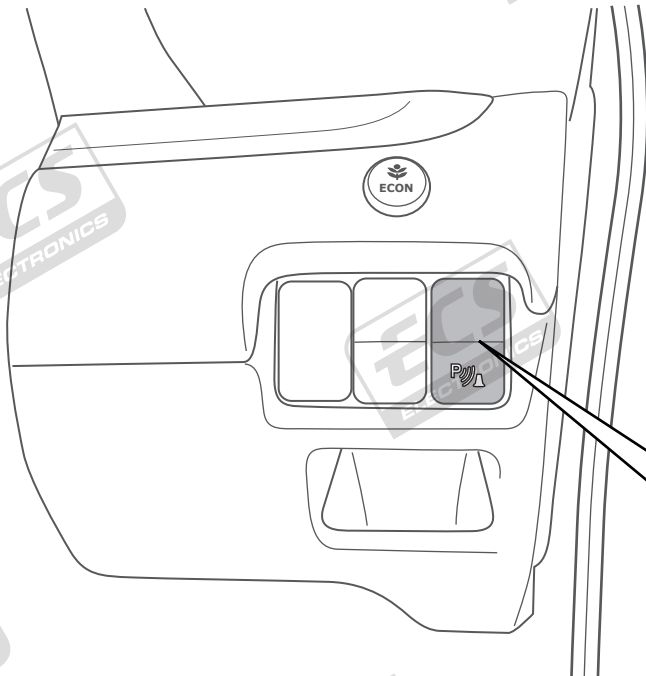
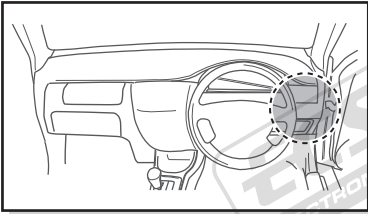
INFO

SOCKET CONNECTION

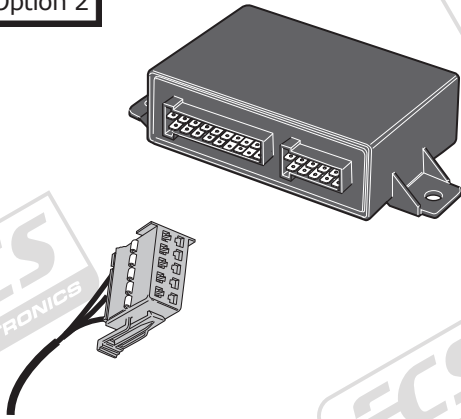
DIN/ISO 11446													
	1/L	2	3/31	4/R	5/58-R	6/54	7/58-L	8	9	10	11	12	13
Pmax	21W	2x21W		21W	52W	3x21W	52W	2x21W	180W/15Amp	180W/15Amp			
Colour	Yellow	Blue	White	Green	Brown	Red 1,00 mm ²	Black	Black/ Red	Brown/ White	Red 2,50 mm ²	White	-	White

15

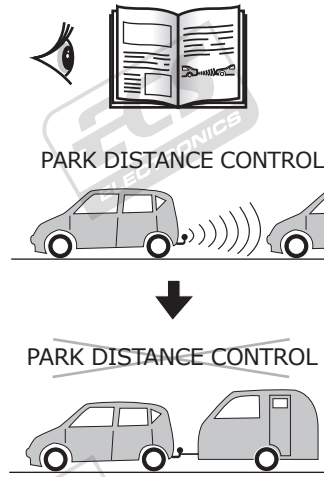
Option 1 For Honda installed PDC systems



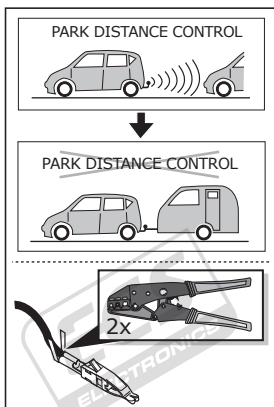
Option 2



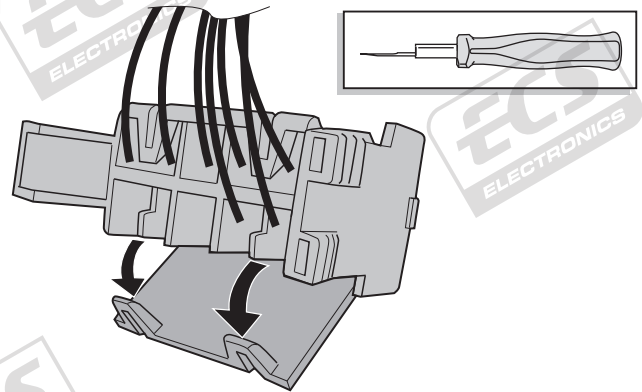
Option



A

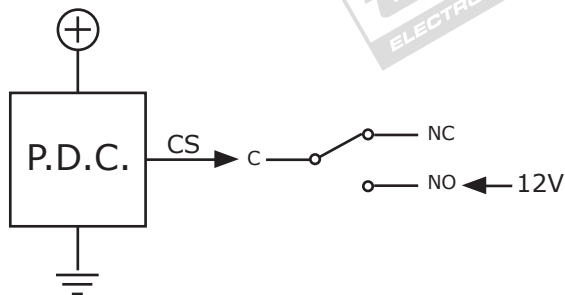


B



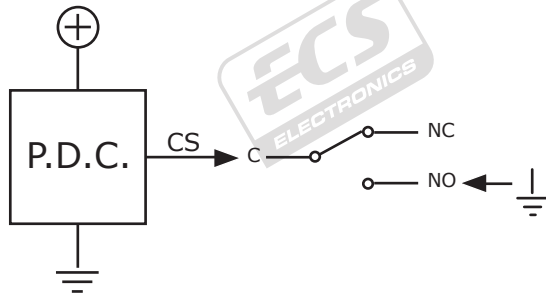
C

Option A



9 = C
5 = NO
7 = NC

Option B



Option C

