

Ford Transit / Tourneo Custom (V362) 06/2016 >> 06/2019

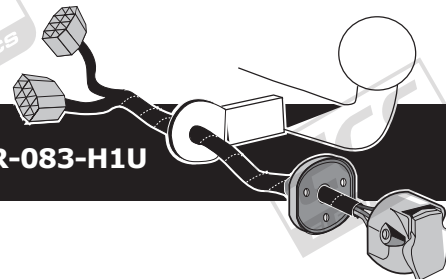
Ford Transit Van / Chassis (V363) 06/2016 >> 06/2019

Ford Transit / Tourneo Custom (V362 Stage 6.2) 07/2019 >>

Ford Transit Van / Chassis (V363 Stage 6.2) 07/2019 >>

Ford Tourneo Custom Active 12/2020 >>

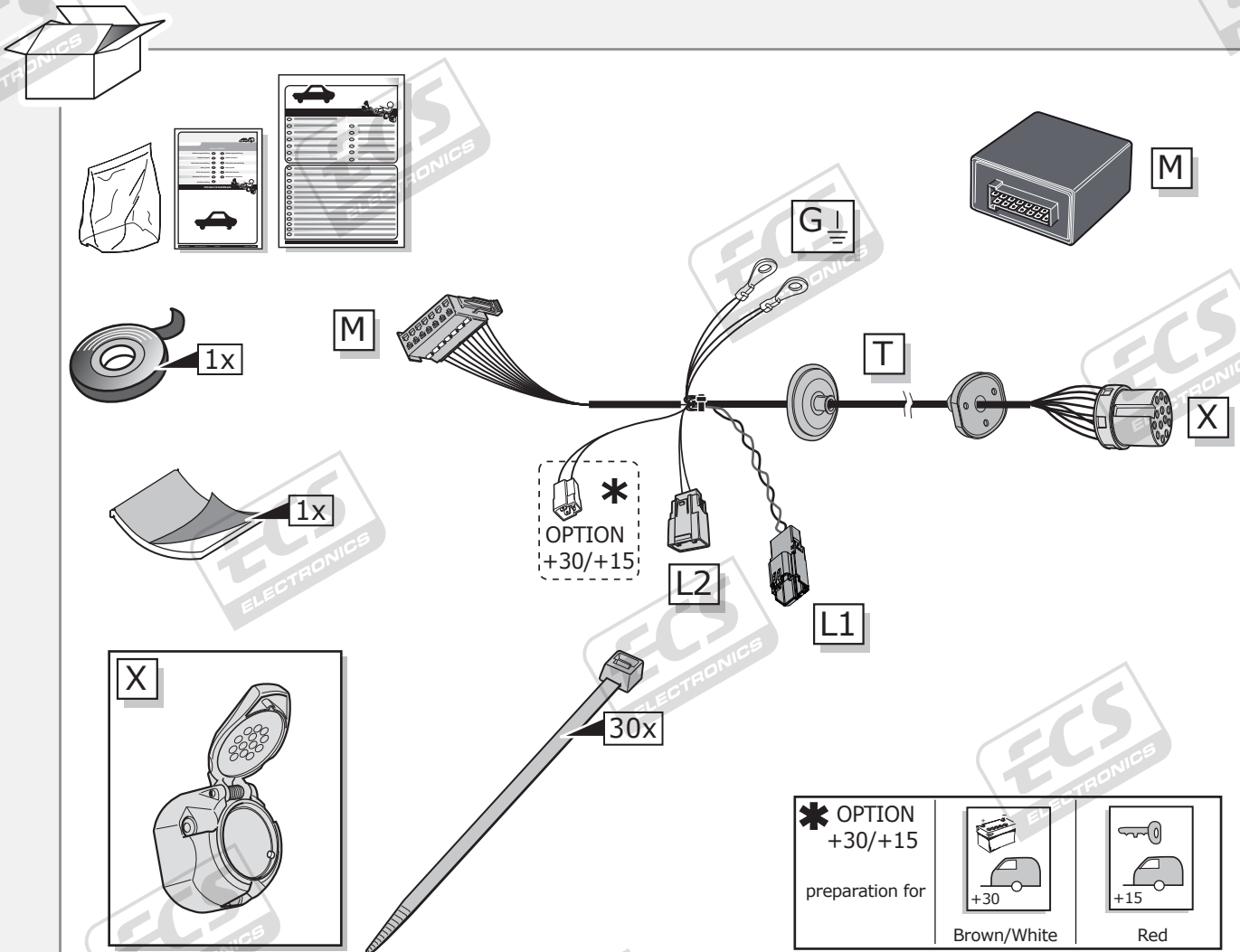
Partnr.: FR-083-H1U



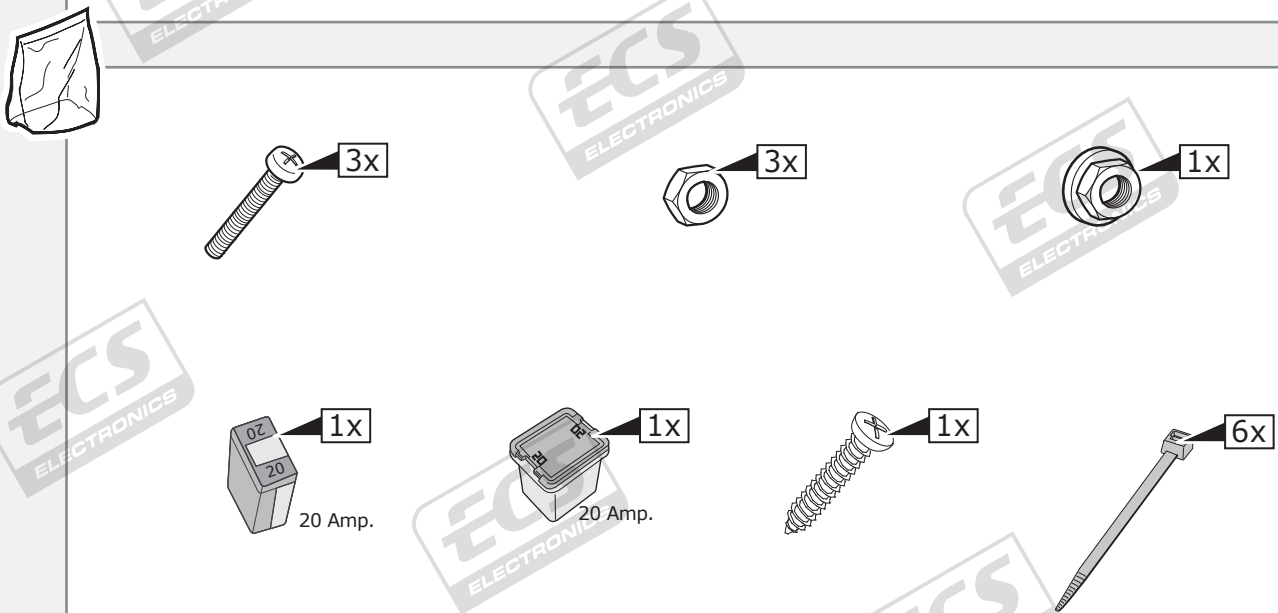
- Fitting instructions electric wiring kit tow bar with 13-P socket up to DIN/ISO Norm 11446.
- We would expressly point out that assembly not carried out properly by a competent installer will result in cancellation of any right to damage compensation, in particular those arising by virtue of the product liability act.
- Contents of these kits and their fitting manuals are subject to alteration without notice, please ensure that these instructions are read and fully understood before commencing installation.
- Do not overload circuits; the maximum loads per connection are detailed in this manual.
- Attention! Before Installation, please read this manual carefully and inform your customer to consult the vehicle owners manual to check for any vehicle modifications required before towing.
- In the event of functional problems, troubleshooting must be limited to about 0.5 hours, contact the technical support:
ukts@ecs-electronics.com / 07440 202 052.



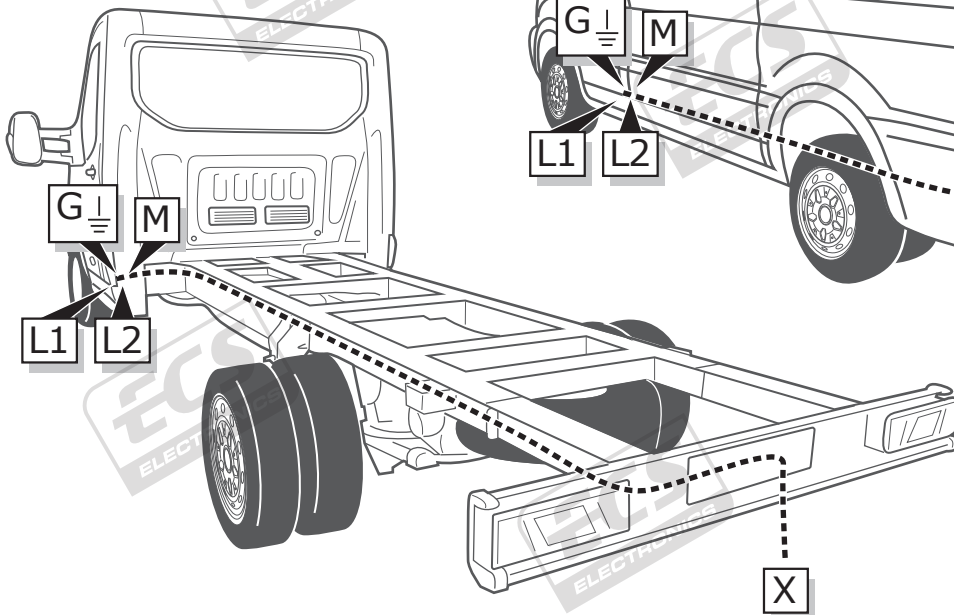
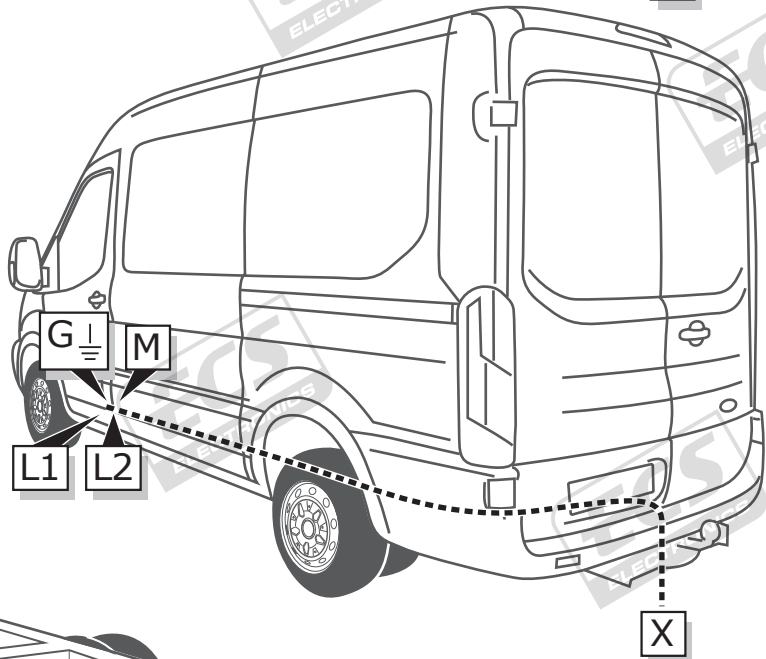
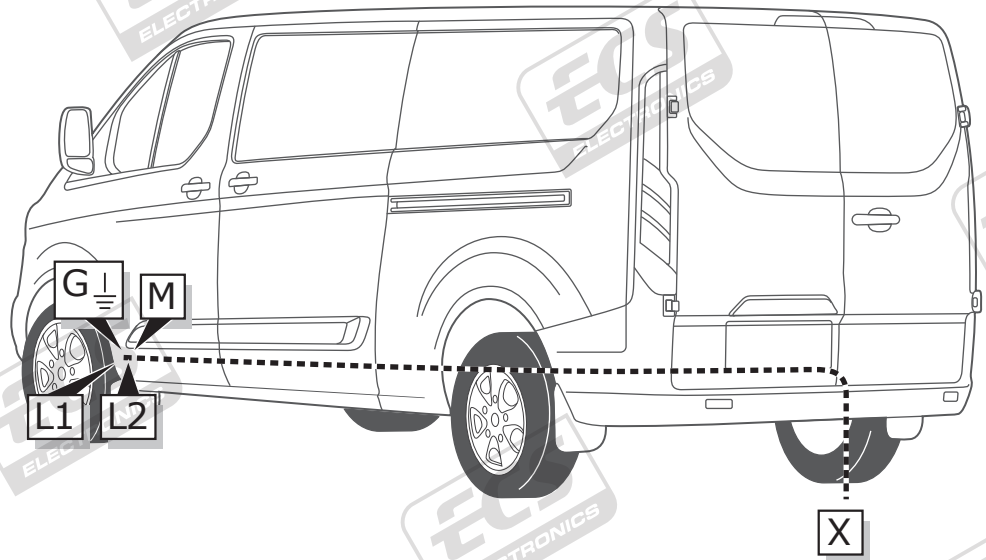
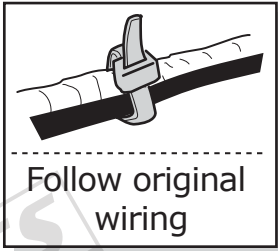
Part list



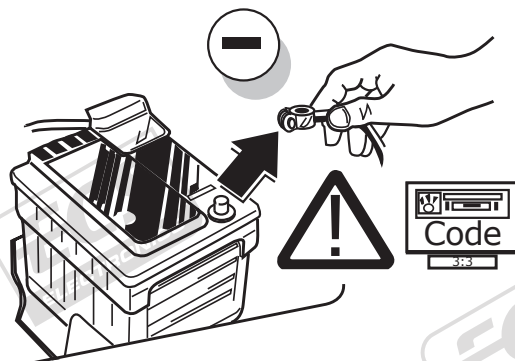
* OPTION +30/+15 preparation for		
	Brown/White	Red



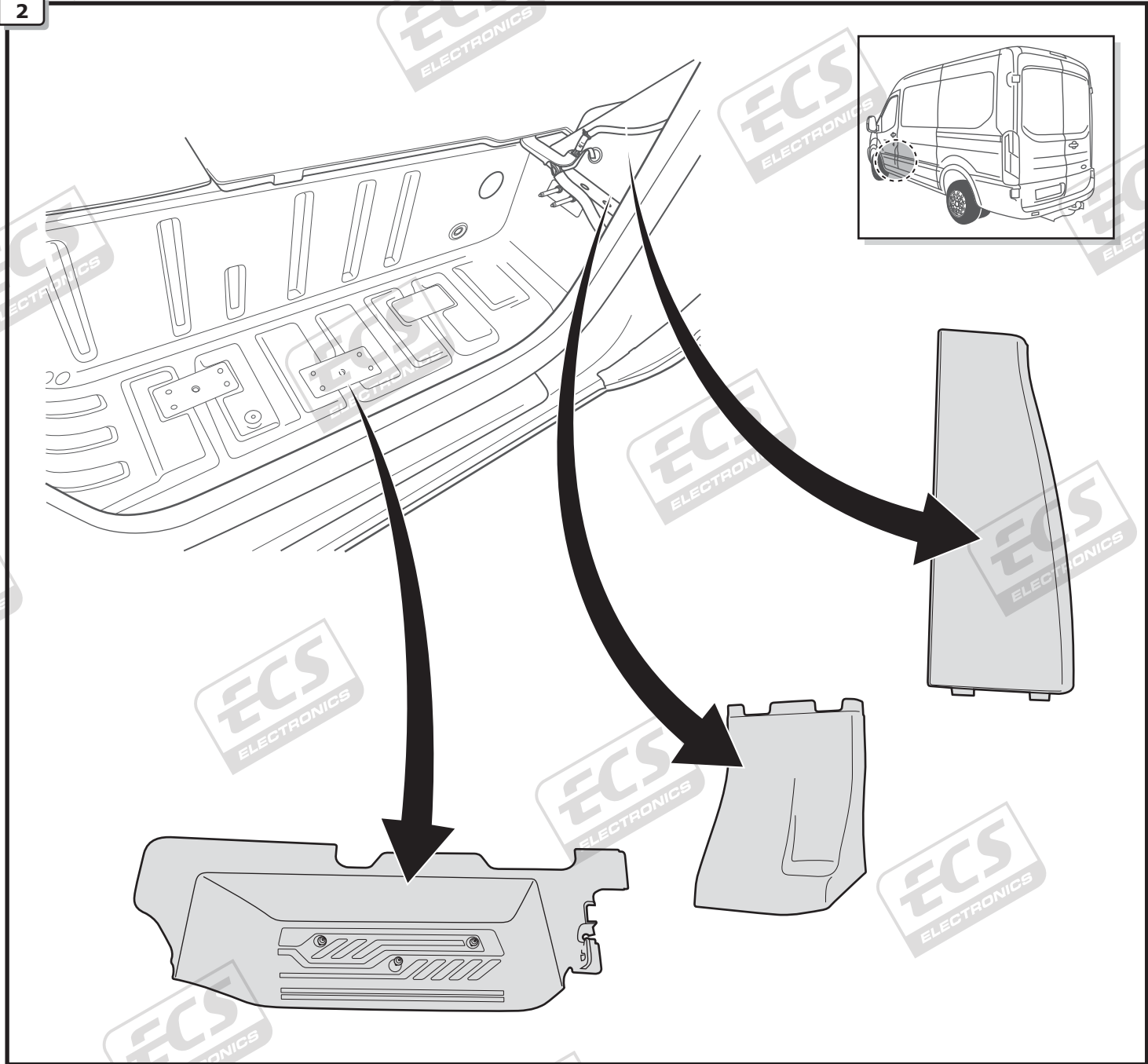
ROUTING



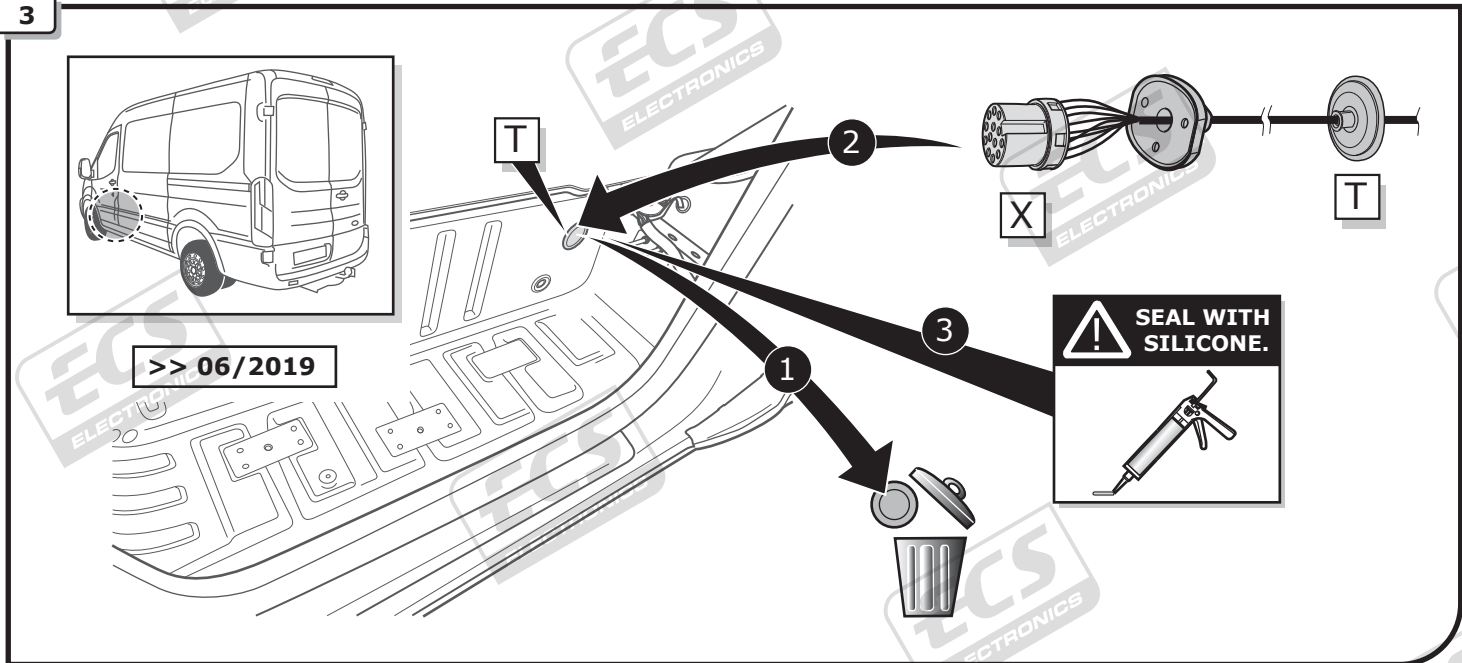
1



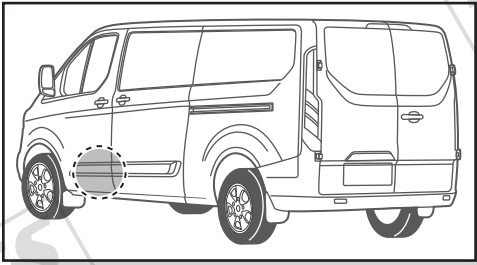
2



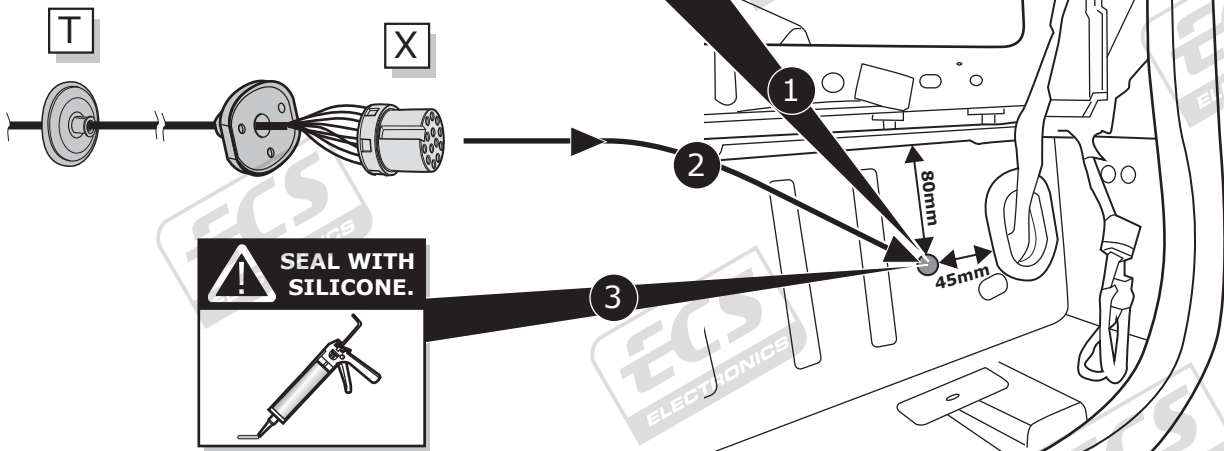
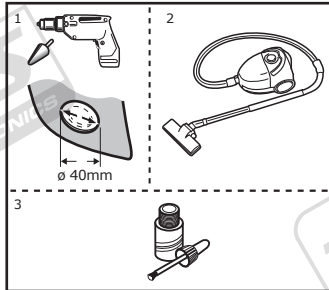
3



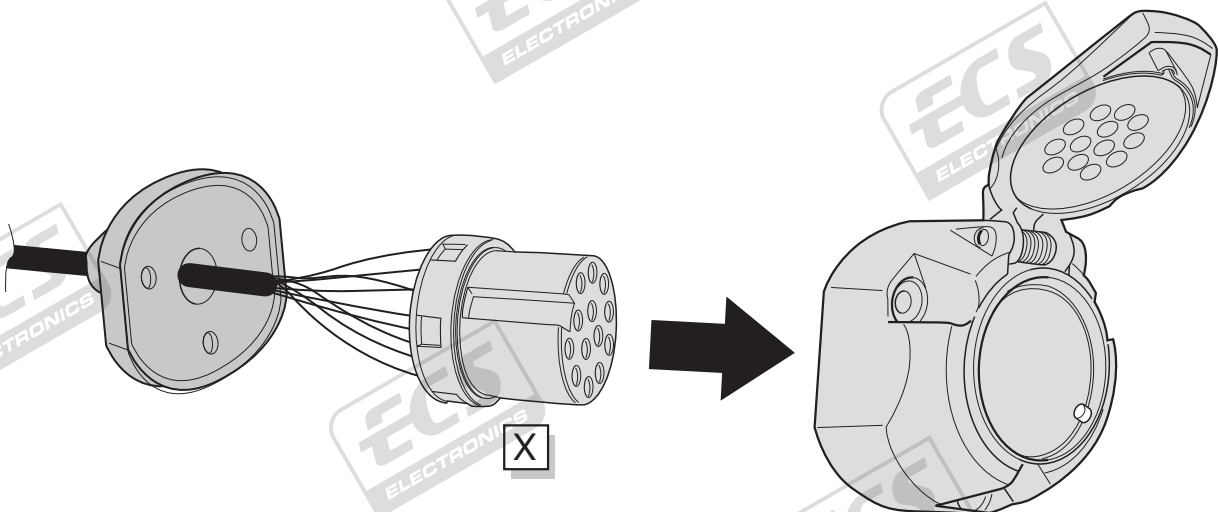
4



07/2019 >>



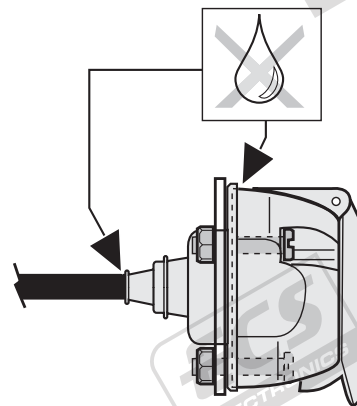
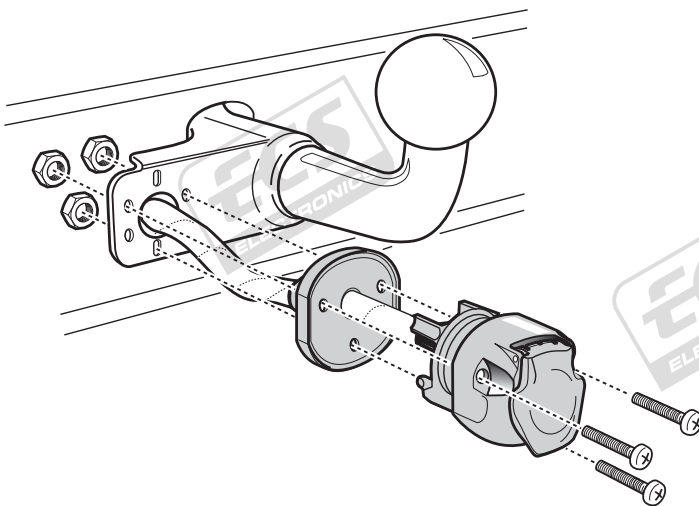
A



SOCKET CONNECTION

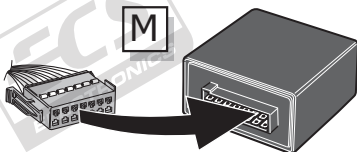


B

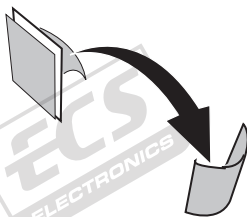
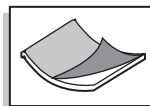


5

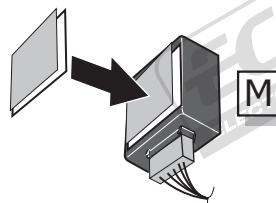
1



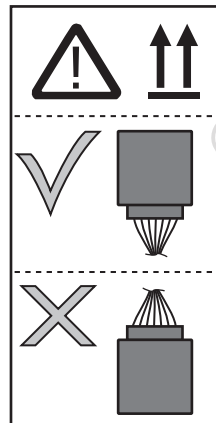
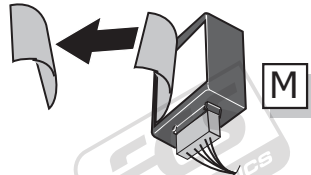
2



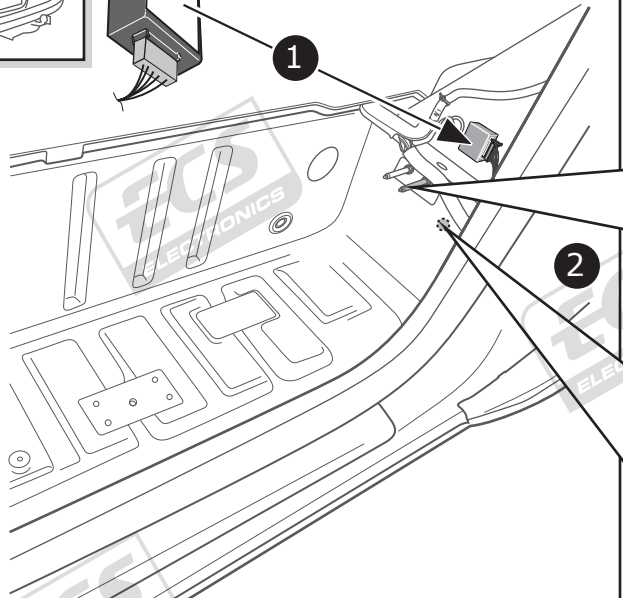
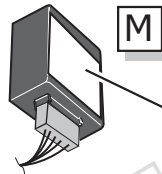
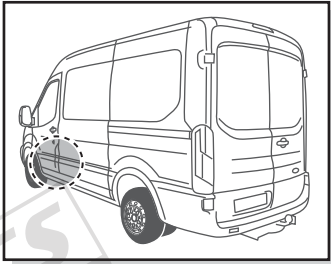
3



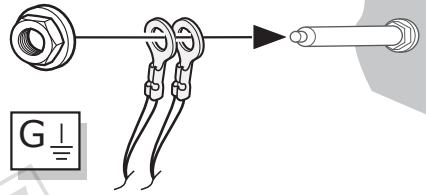
4



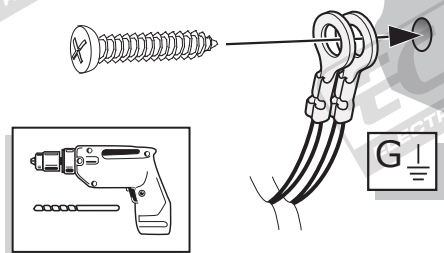
6



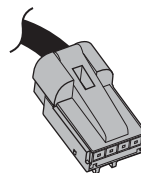
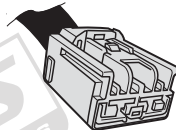
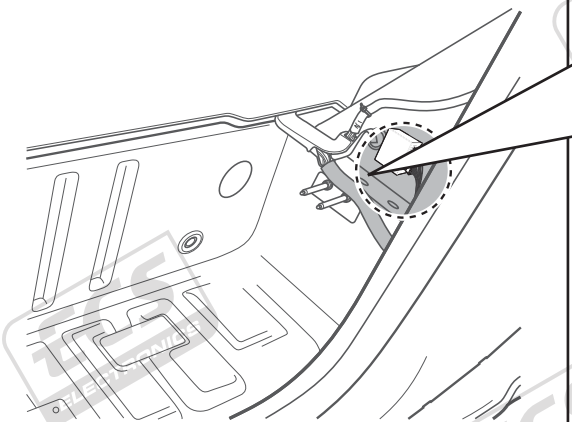
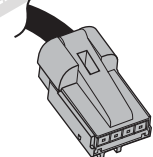
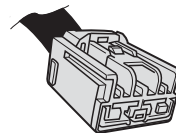
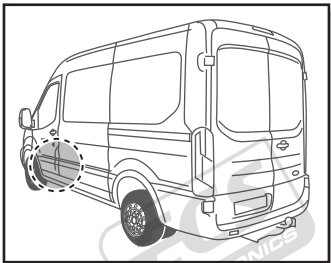
Option 1



Option 2

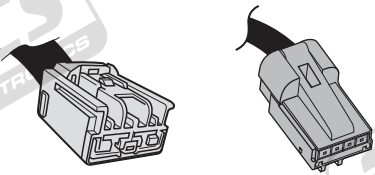


7

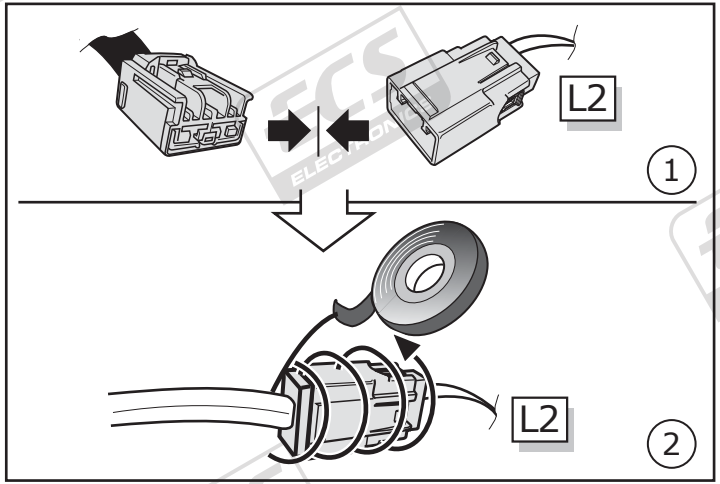


8

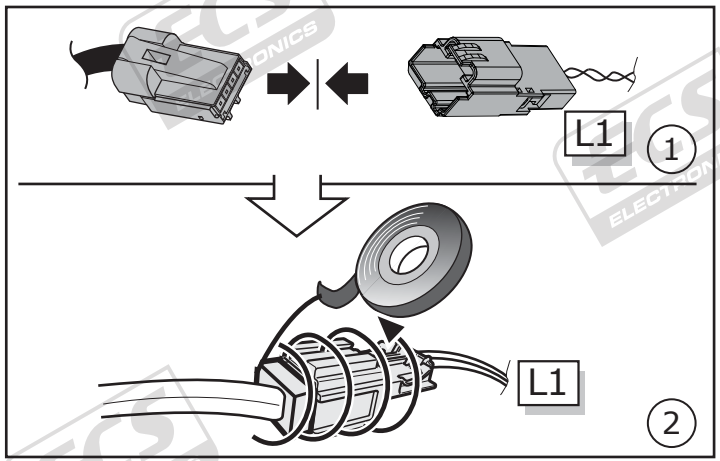
8



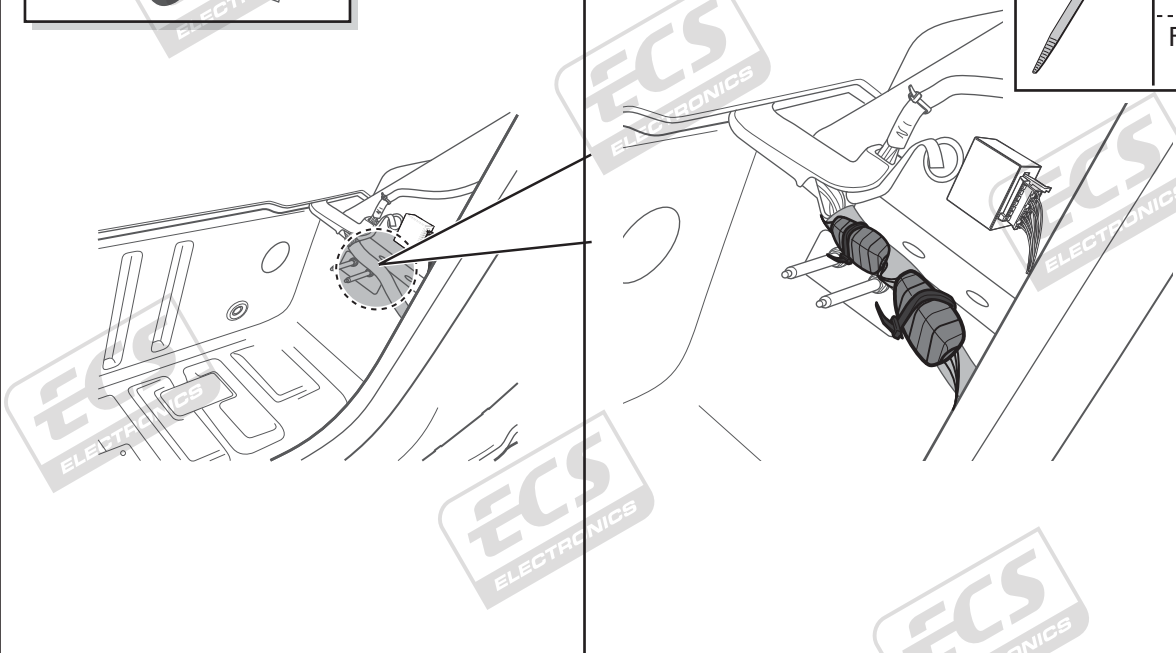
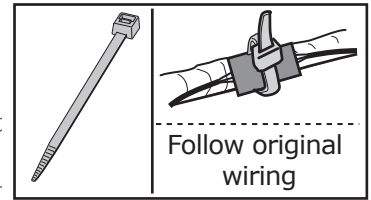
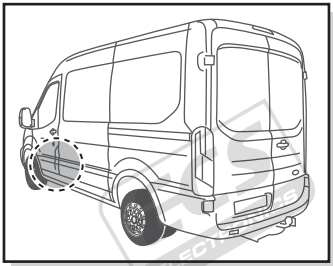
1



2

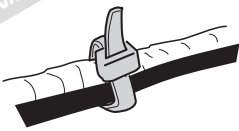
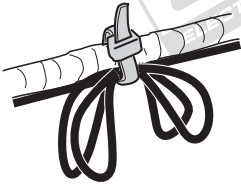
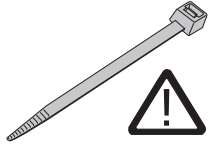


9

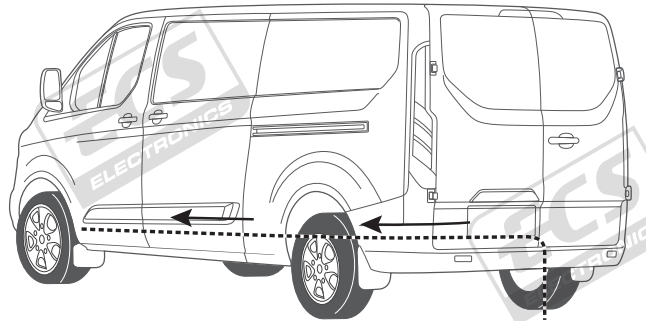
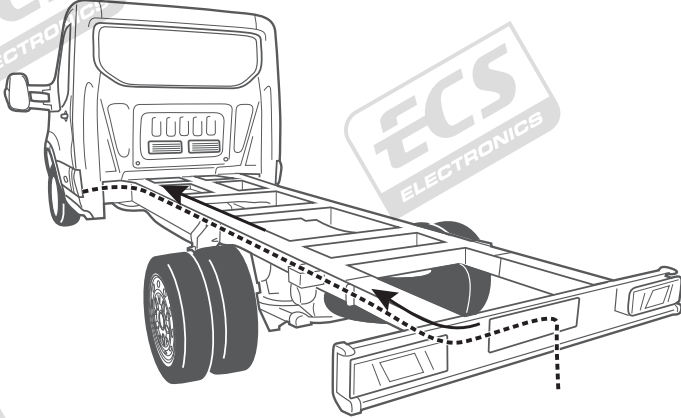
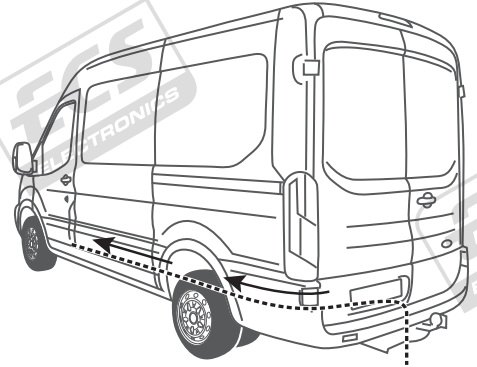


10

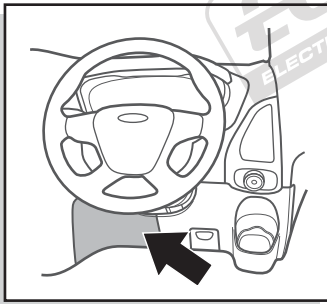
If necessary



Follow original wiring

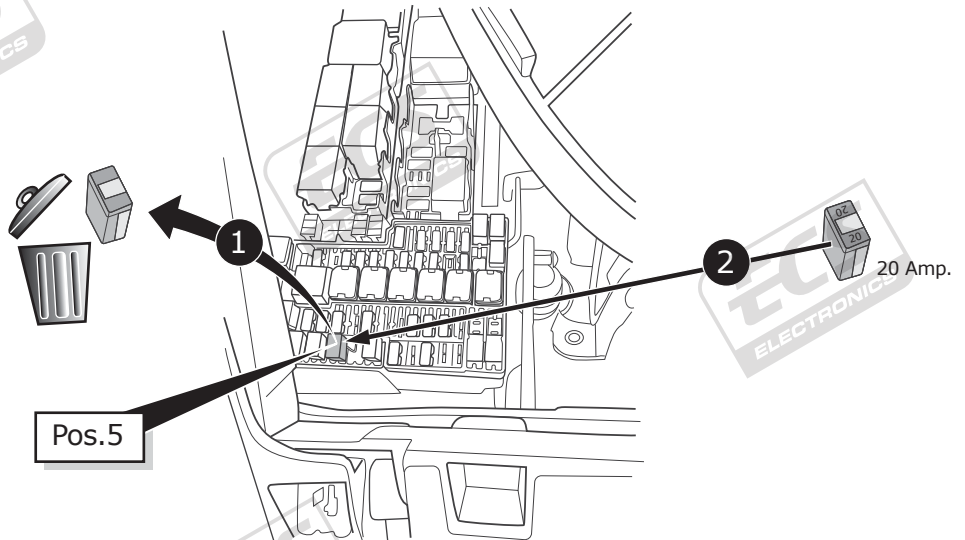


11

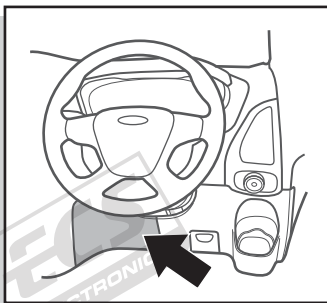


Option 1

>> 06/2019

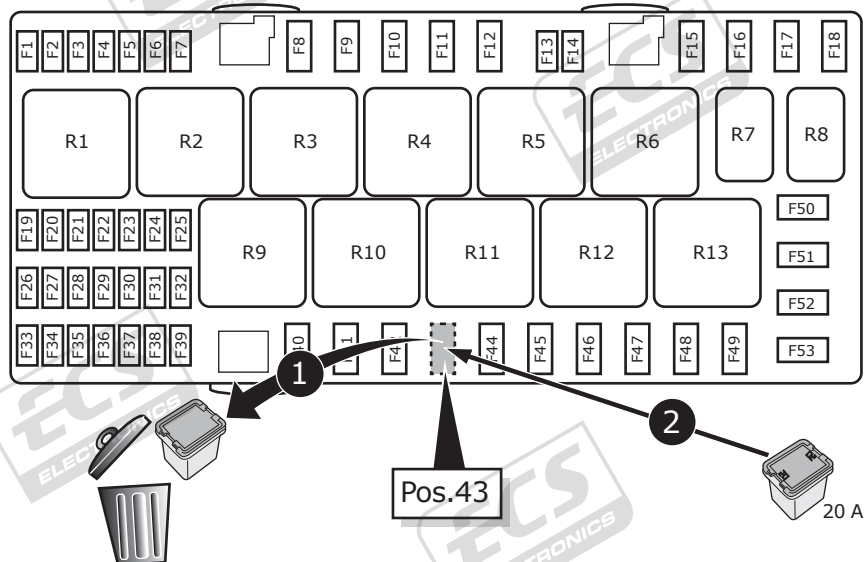


12

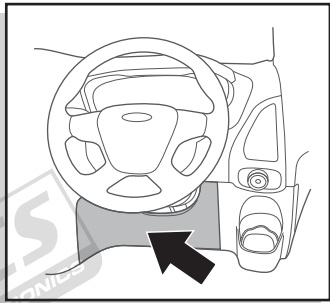


Option 2

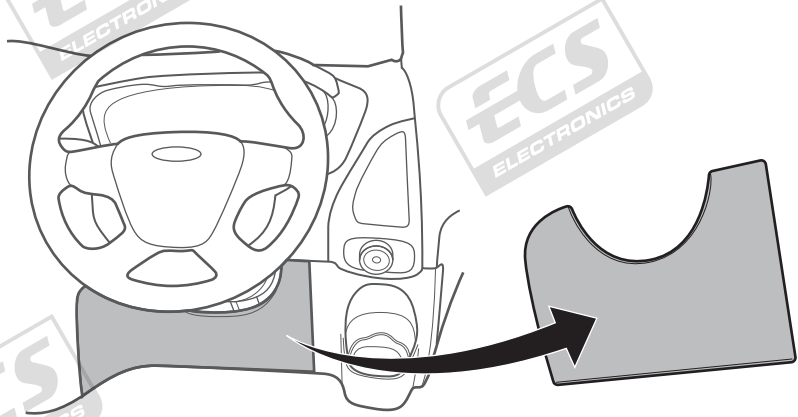
>> 06/2019



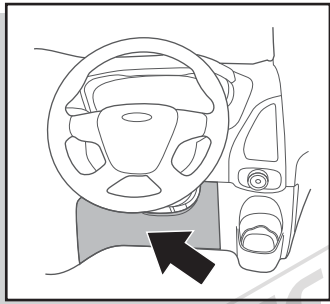
13



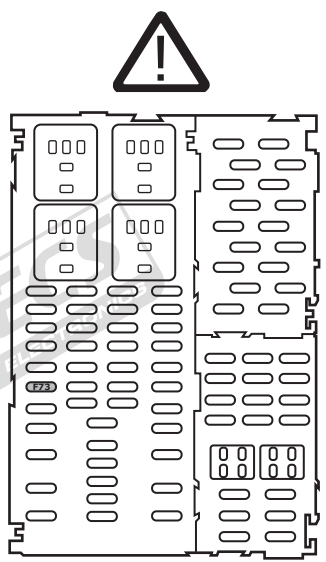
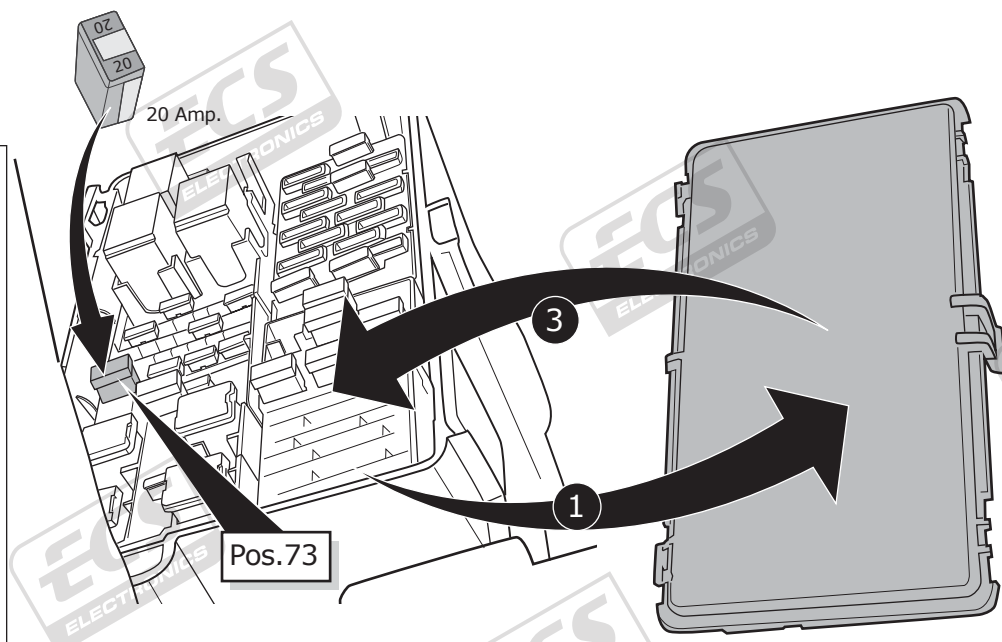
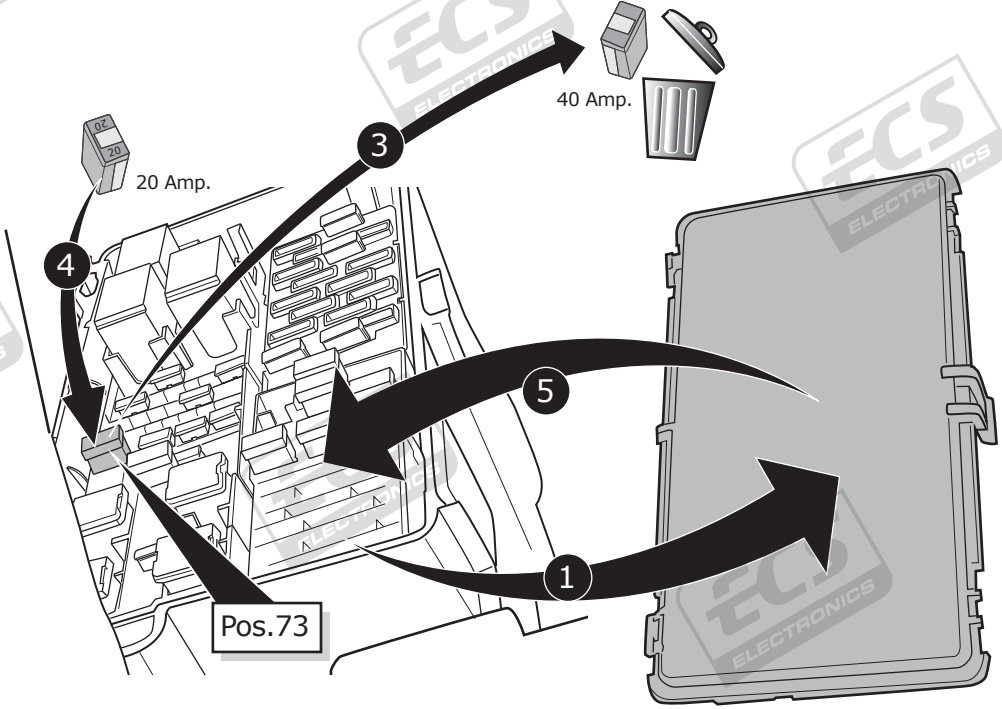
Stage 6.2 07/2019 >>

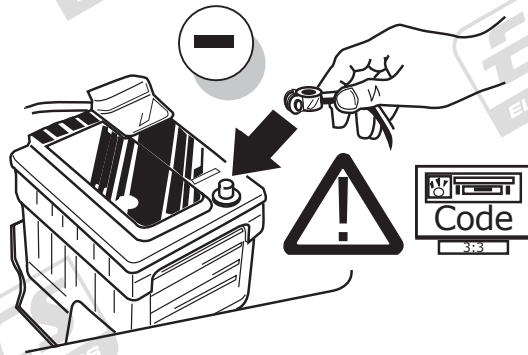


14

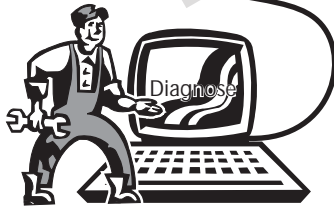
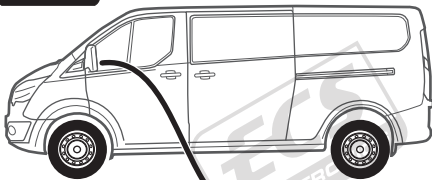


Stage 6.2 07/2019 >>





Set up trailer operation



Option 1 ETIS-FDRS

Perform Online config as follows:

- Connect with Ford ETIS System
- Enter dealer number
- Enter vehicle VIN
- Run Network Test (If necessary)
- Vehicle Software
- Access Changes & Upgrades
- Towbar Configuration
- Press Command

NOTE! See additional control modules listed below as these need to be configured manually for Towbar. This is only possible once FORD technical systems have prepared these additional control units to accept configuration!

- PAM
- FCDIM

- SODL
- SODR

Option 2 ETIS-IDS

Perform Offline config as follows:

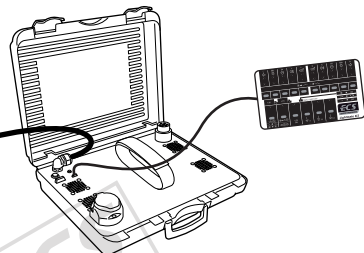
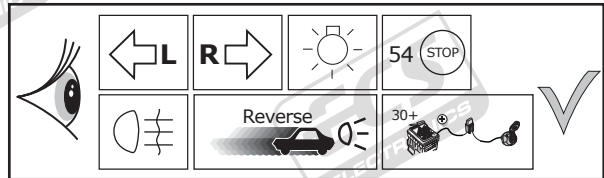
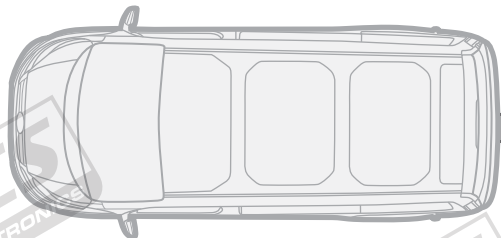
- Connect with Ford ETIS System
- Enter dealer number
- Enter vehicle VIN
- Run Network Test (If necessary)
- Scroll to 'Electrical'
- Service Functions
- Trailer Tow Configuration

If error message appears, it relates to access to IPC which may not yet configured by Ford!

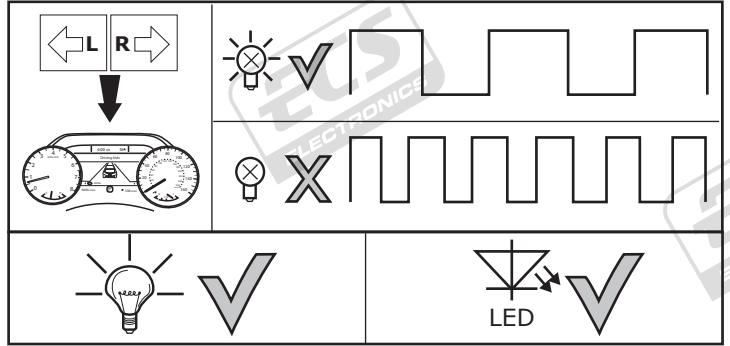
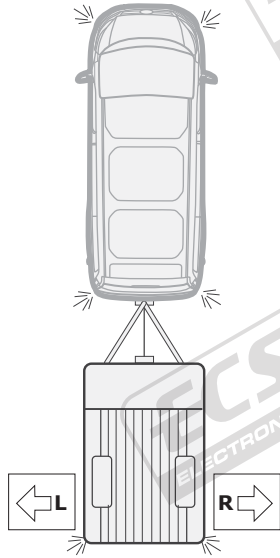
NOTE! See additional control modules listed below as these need to be configured manually for Towbar. This is only possible once FORD technical systems have prepared these additional control units to accept configuration!

- PAM
- FCDIM

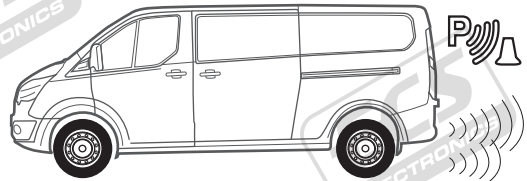
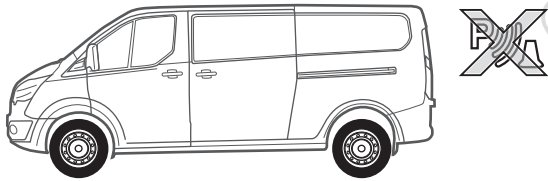
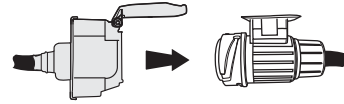
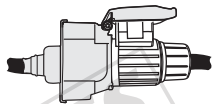
- SODL
- SODR



18

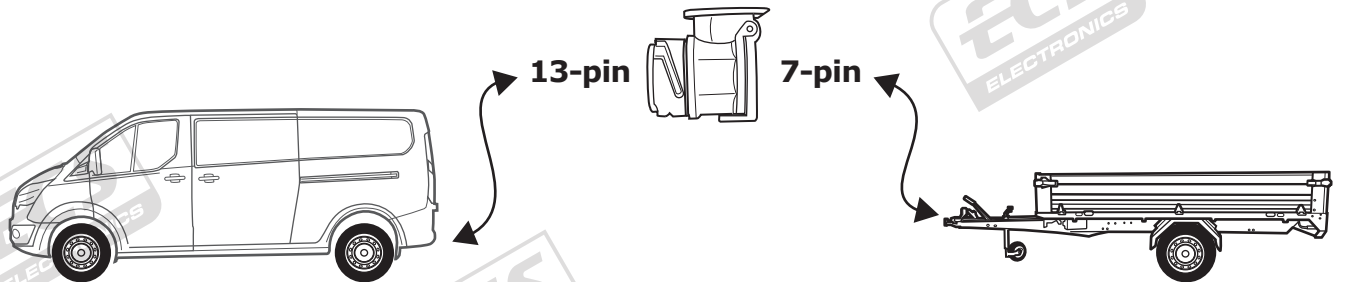


19

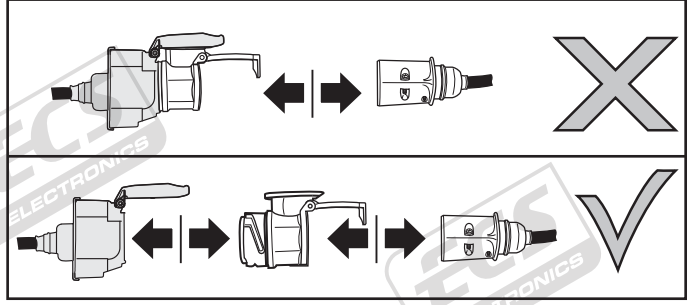
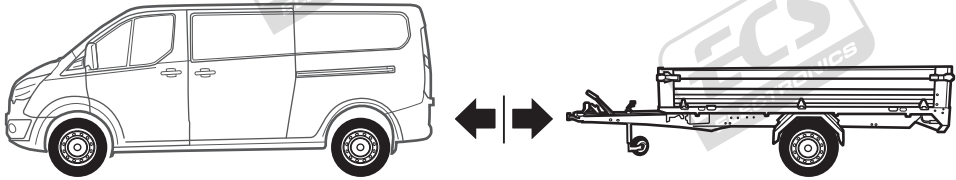


20

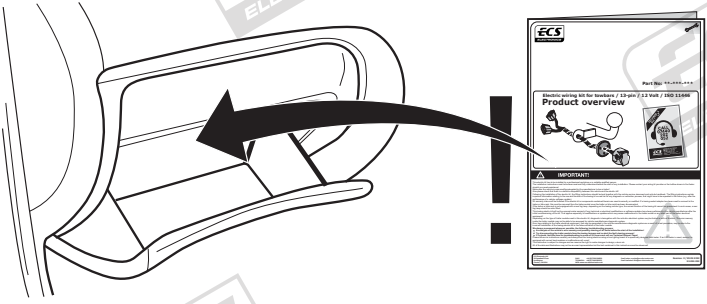
Optional
Adapter socket



21



22

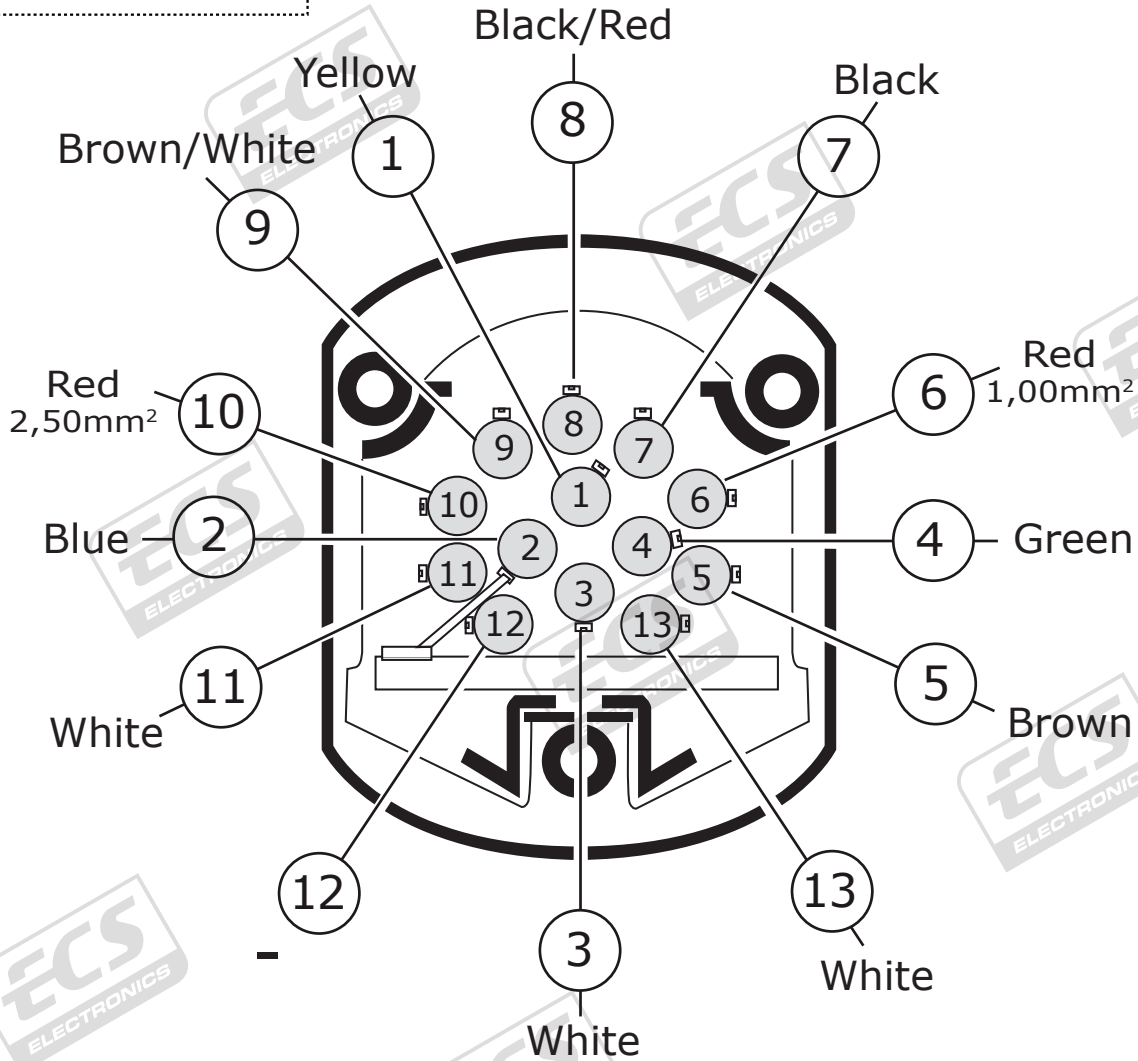
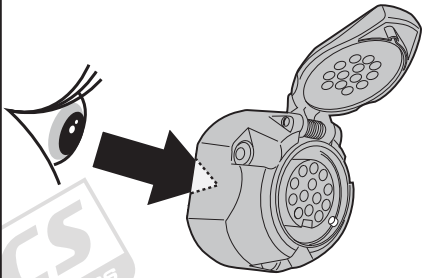


TECHNICAL SUPPORT

CALL 07440 202 052

ECS ELECTRONICS MONDAY TO FRIDAY
 08.00 - 11.00 am
 12.00 - 05.00 pm
 ukts@ecs-electronics.com
 www.ecs-electronicsuk.co.uk

SOCKET CONNECTION



SOCKET CONNECTION

DIN/ISO 11446													
Pmax	21W	21W		21W	42W	3x21W	42W	21W	180W/15Amp	180W/15Amp			
Colour	Yellow	Blue	White	Green	Brown	Red 1,00 mm ²	Black	Black/ Red	Brown/ White	Red 2,50 mm ²	White	-	White