

Ford Kuga II 03/2013 >> 01/2020

Partnr.: FR-066-D1U

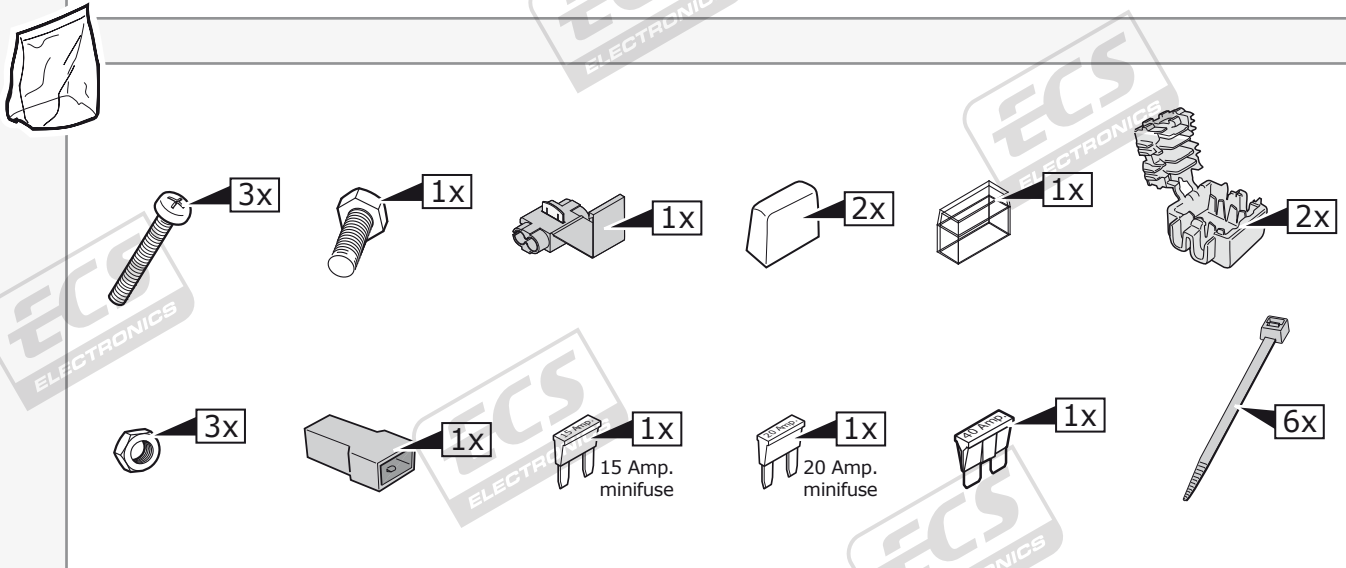
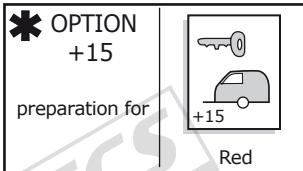
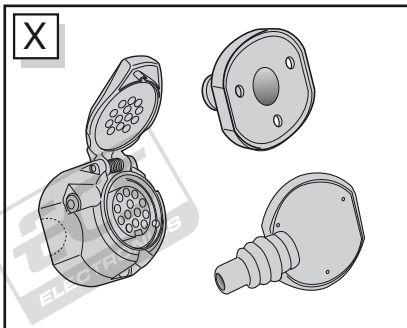
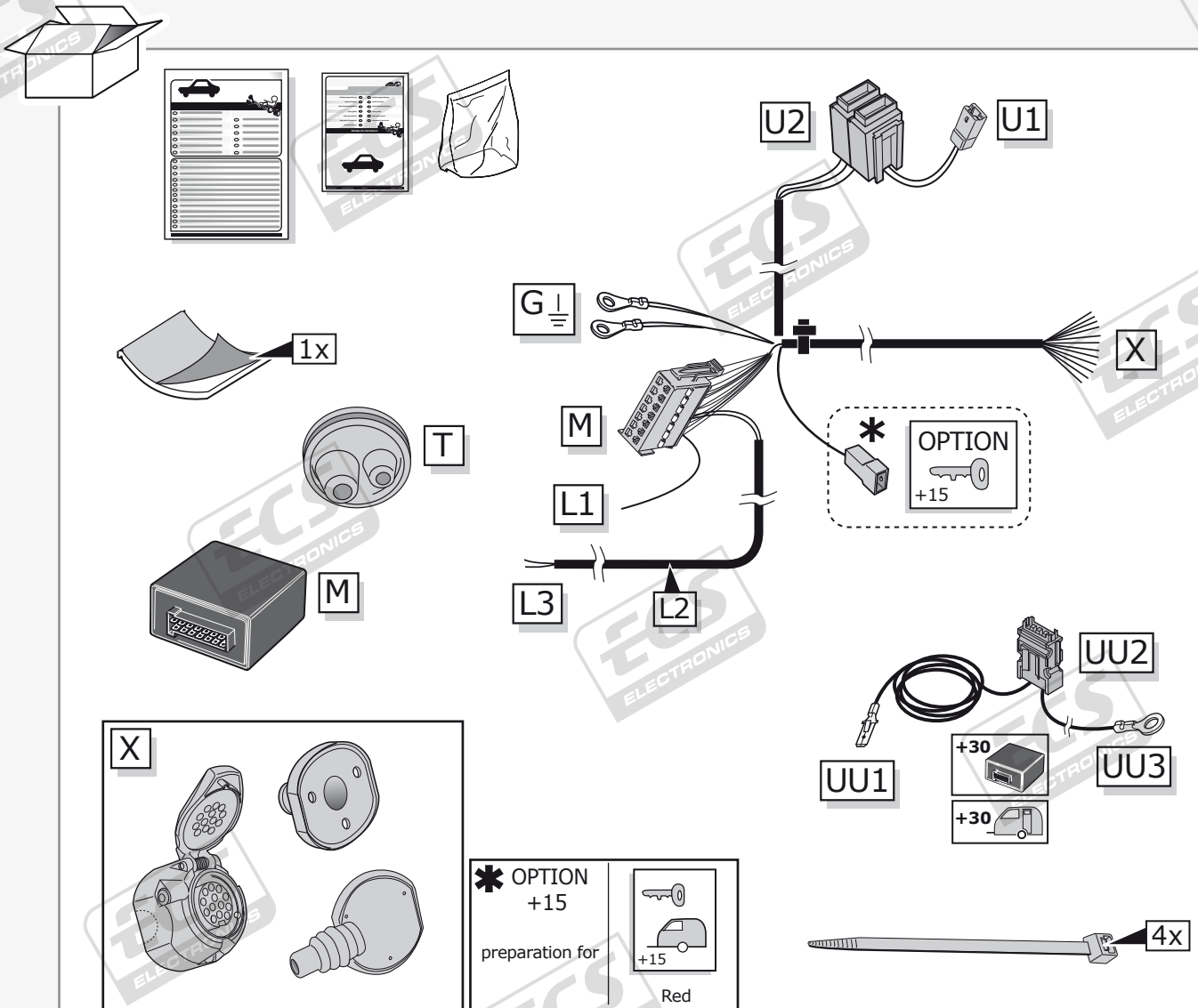
- Fitting instructions electric wiring kit tow bar with 13-P socket up to DIN/ISO Norm 11446.
- We would expressly point out that assembly not carried out properly by a competent installer will result in cancellation of any right to damage compensation, in particular those arising by virtue of the product liability act.
- Contents of these kits and their fitting manuals are subject to alteration without notice, please ensure that these instructions are read and fully understood before commencing installation.
- Do not overload circuits; the maximum loads per connection are detailed in this manual.
- Attention! Before Installation, please read this manual carefully and inform your customer to consult the vehicle owners manual to check for any vehicle modifications required before towing.
- In the event of functional problems, troubleshooting must be limited to about 0.5 hours, contact the technical support:
ts-uk@ecs-electronics.com / 07440 202 052.

TECHNICAL SUPPORT

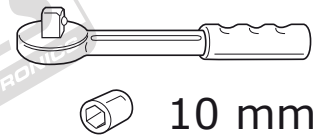
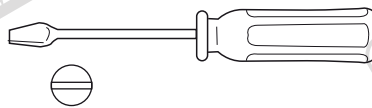
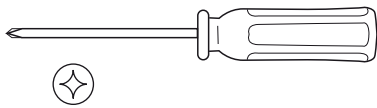
CALL
07440
202
052

ECS ELECTRONICS
MONDAY TO FRIDAY
08.00 - 11.00 am
12.00 - 05.00 pm
ts-uk@ecs-electronics.com
www.ecs-electronicsuk.co.uk

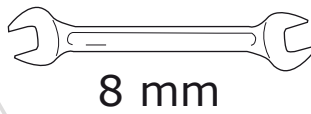
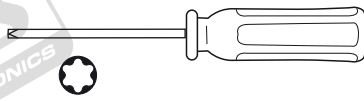
Part list



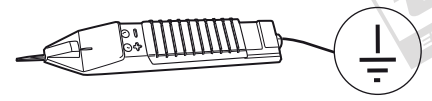
TOOLS



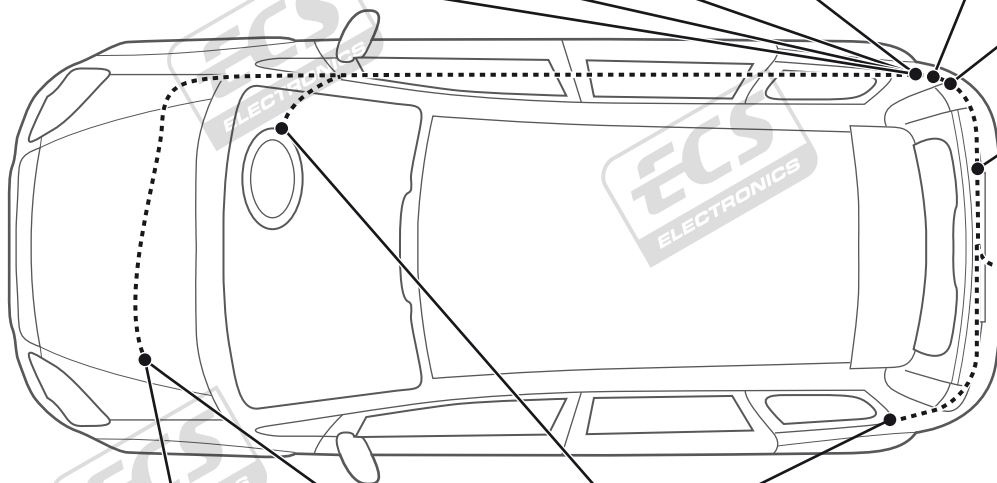
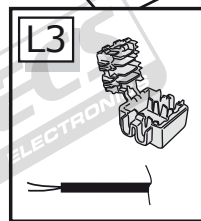
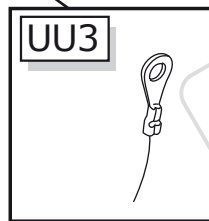
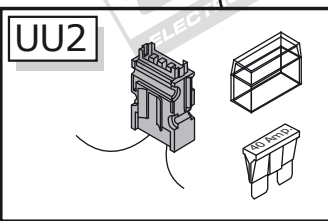
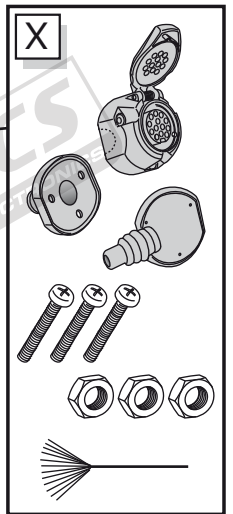
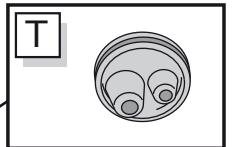
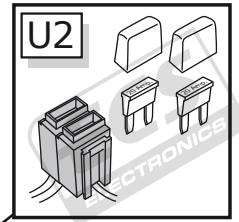
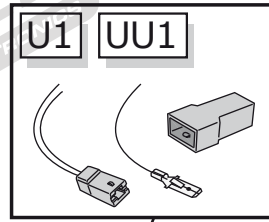
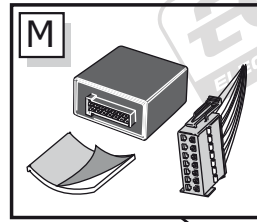
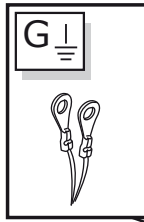
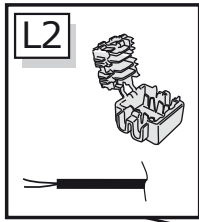
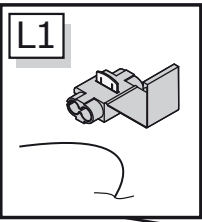
10 mm



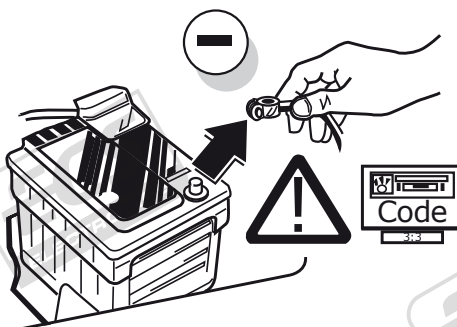
8 mm

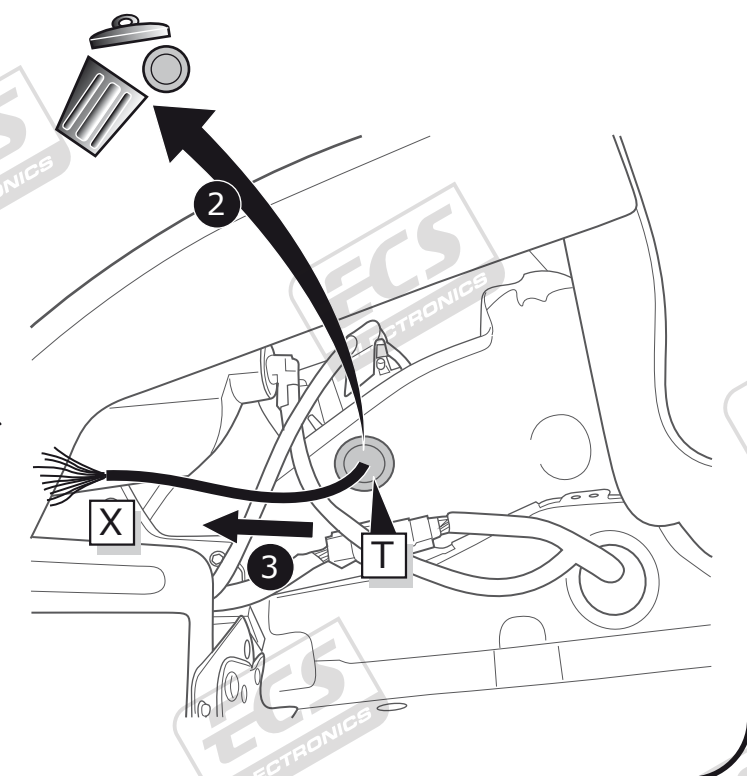
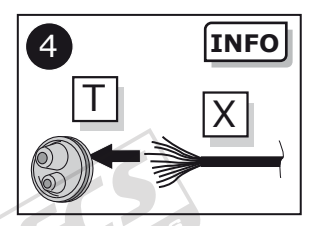
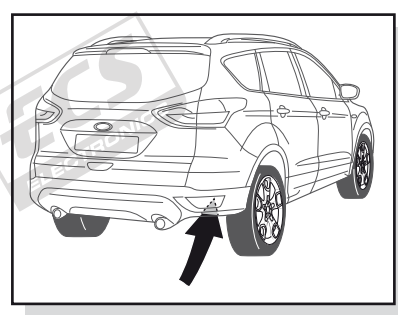
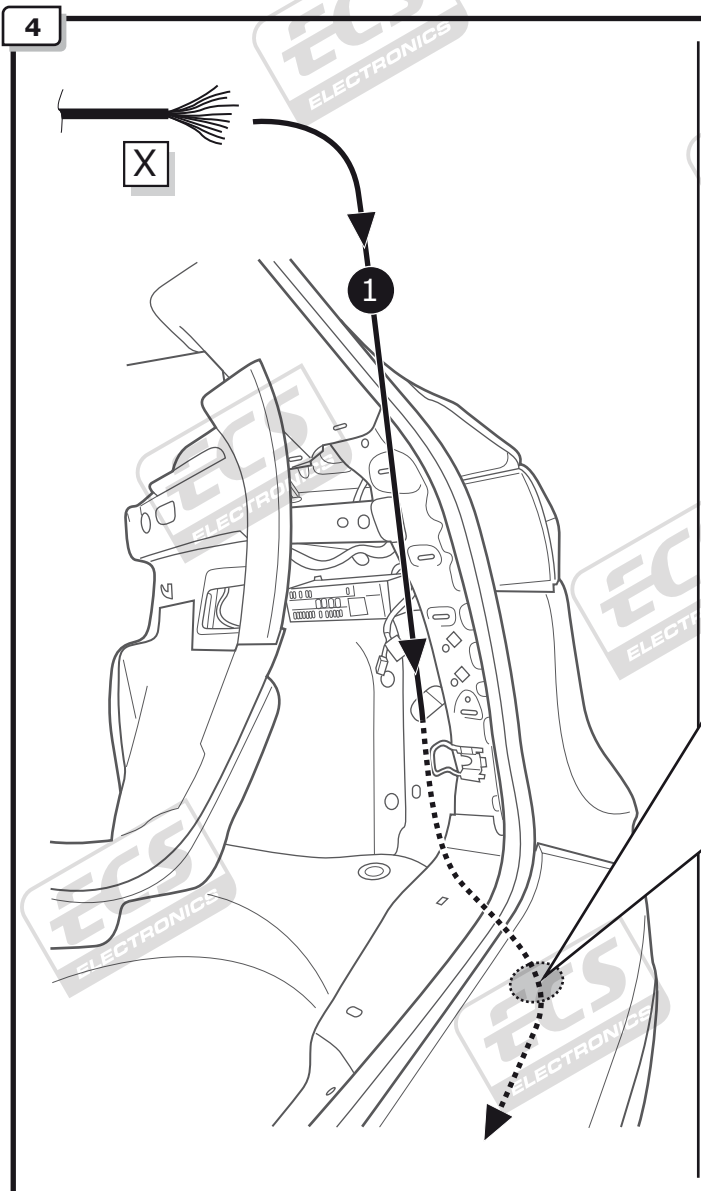
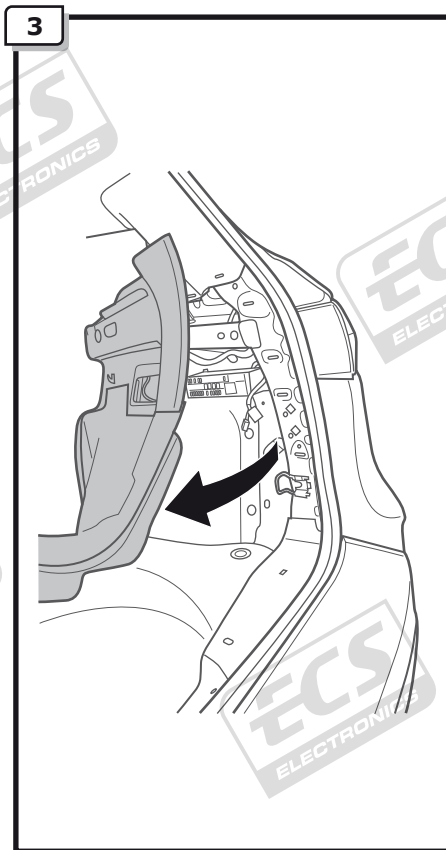
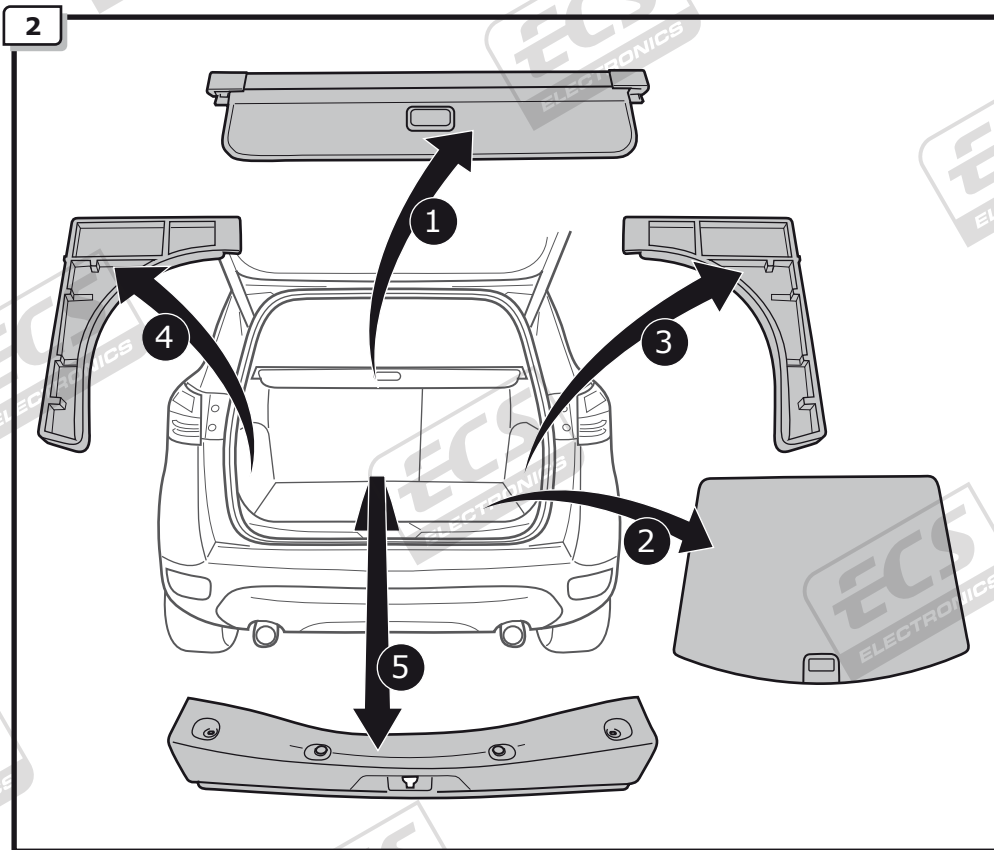


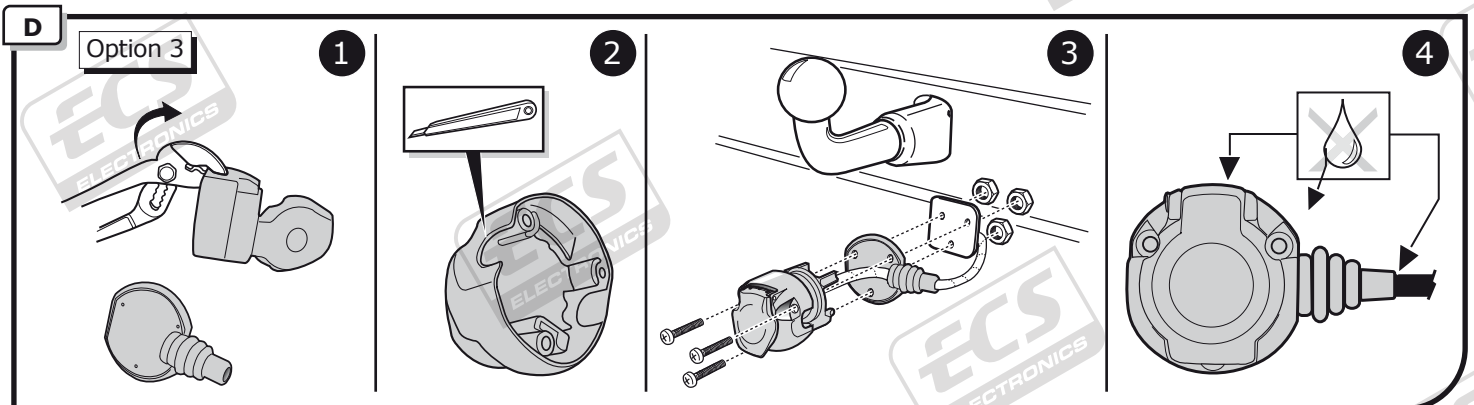
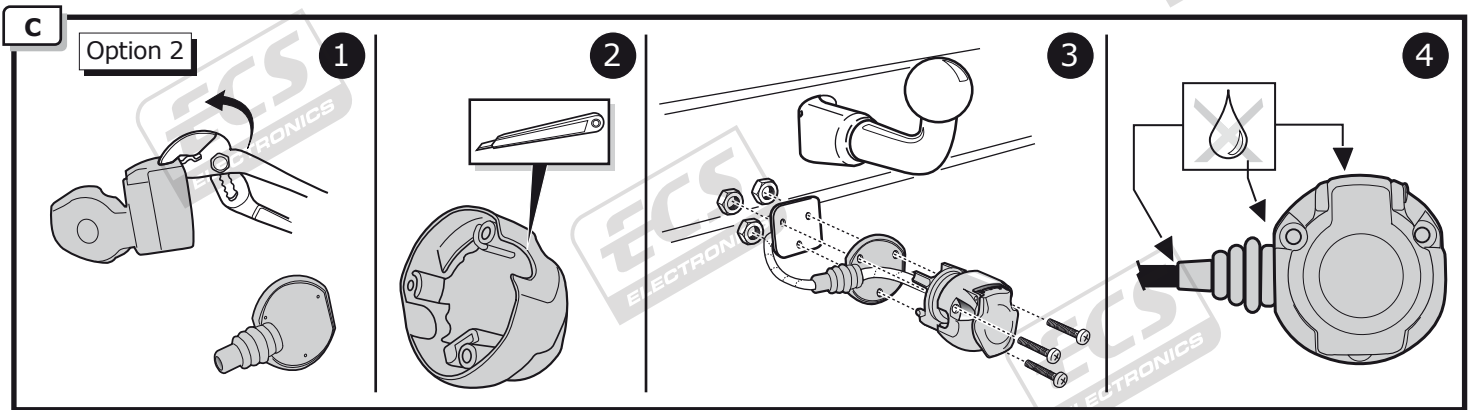
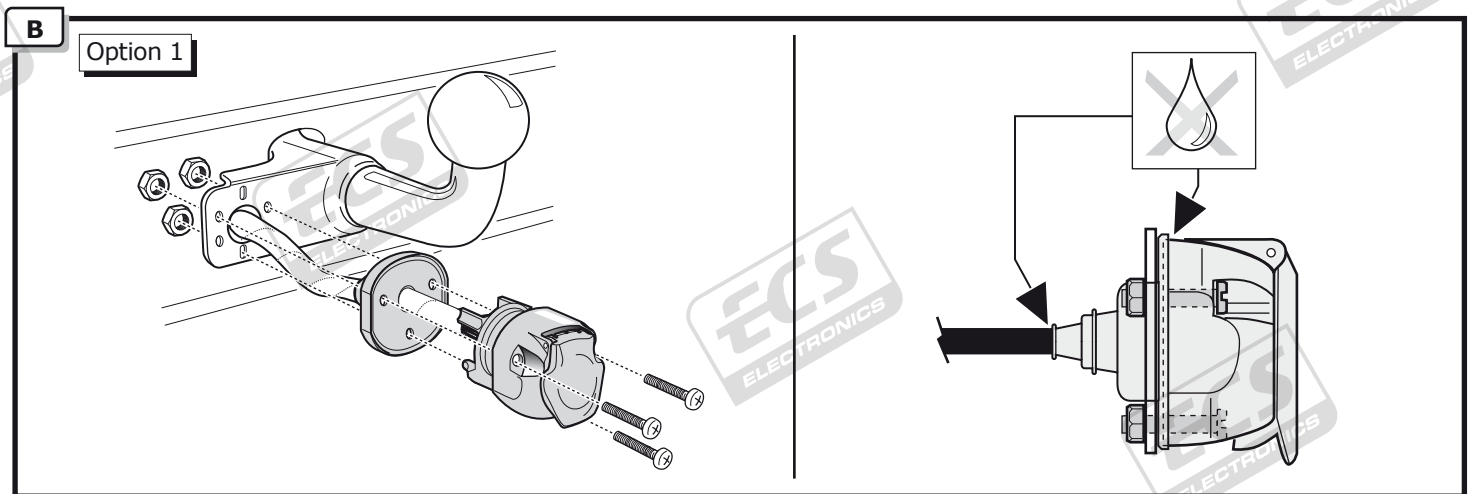
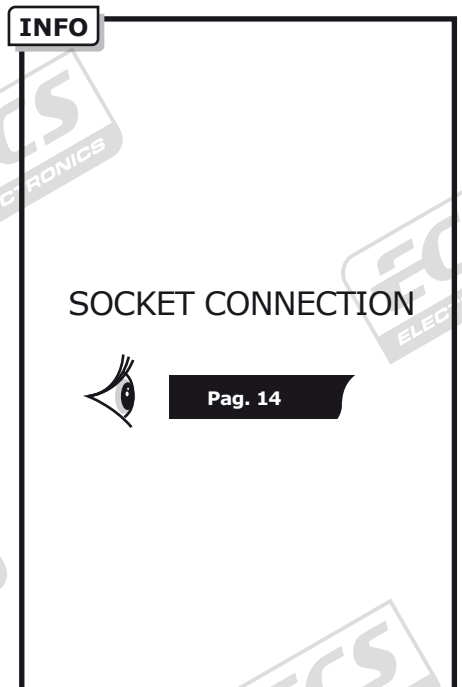
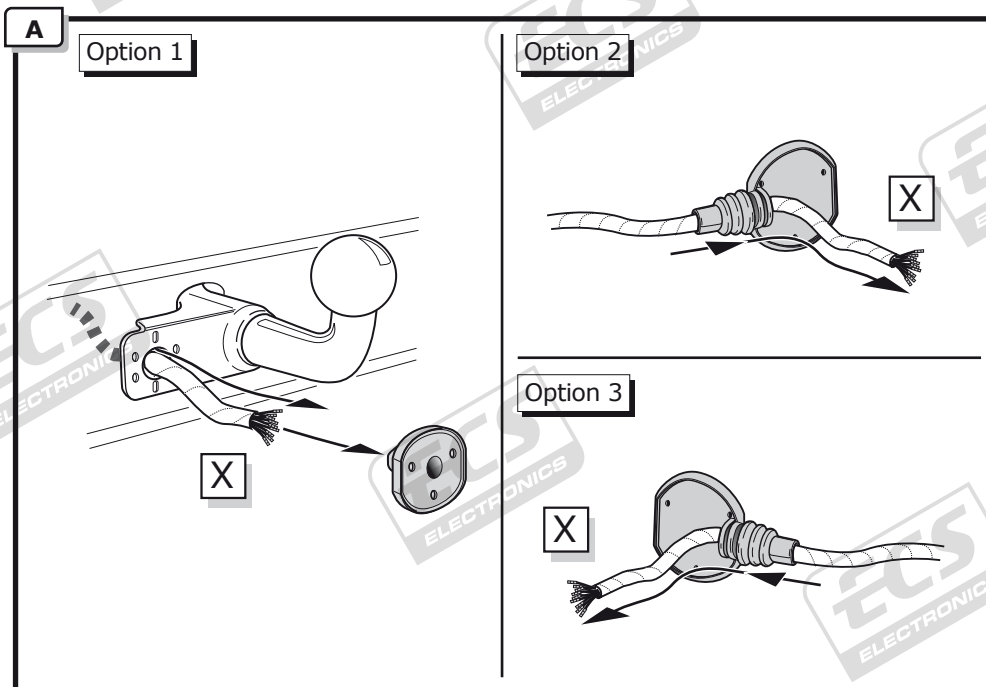
ROUTING

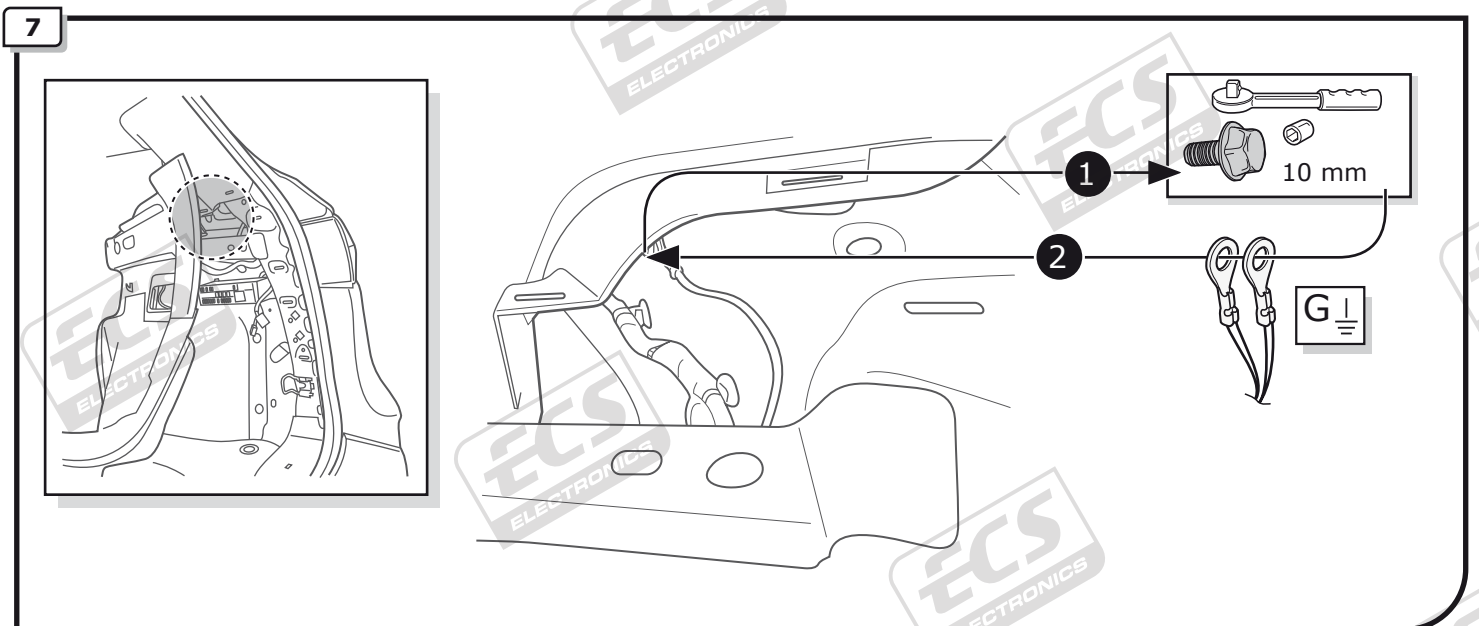
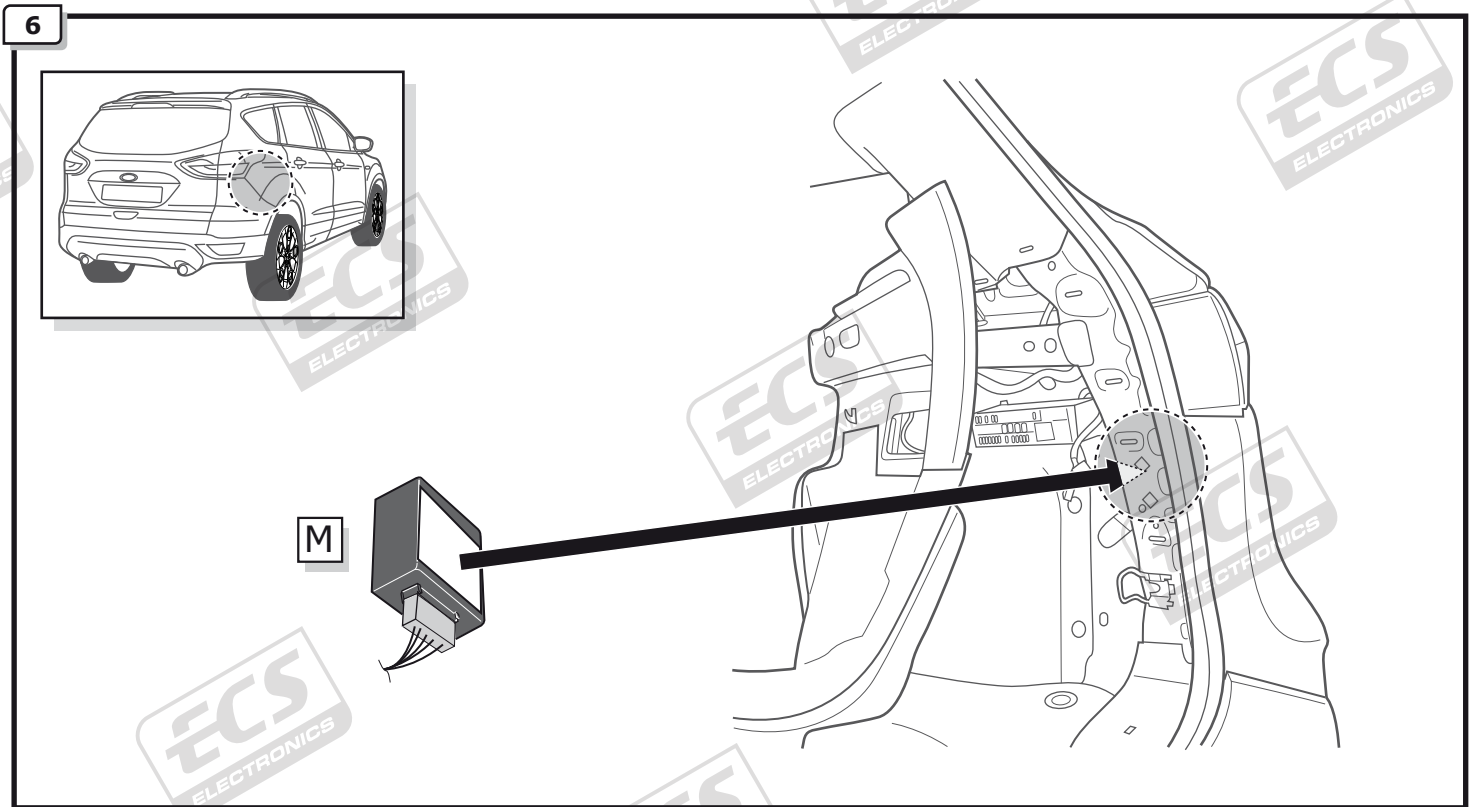
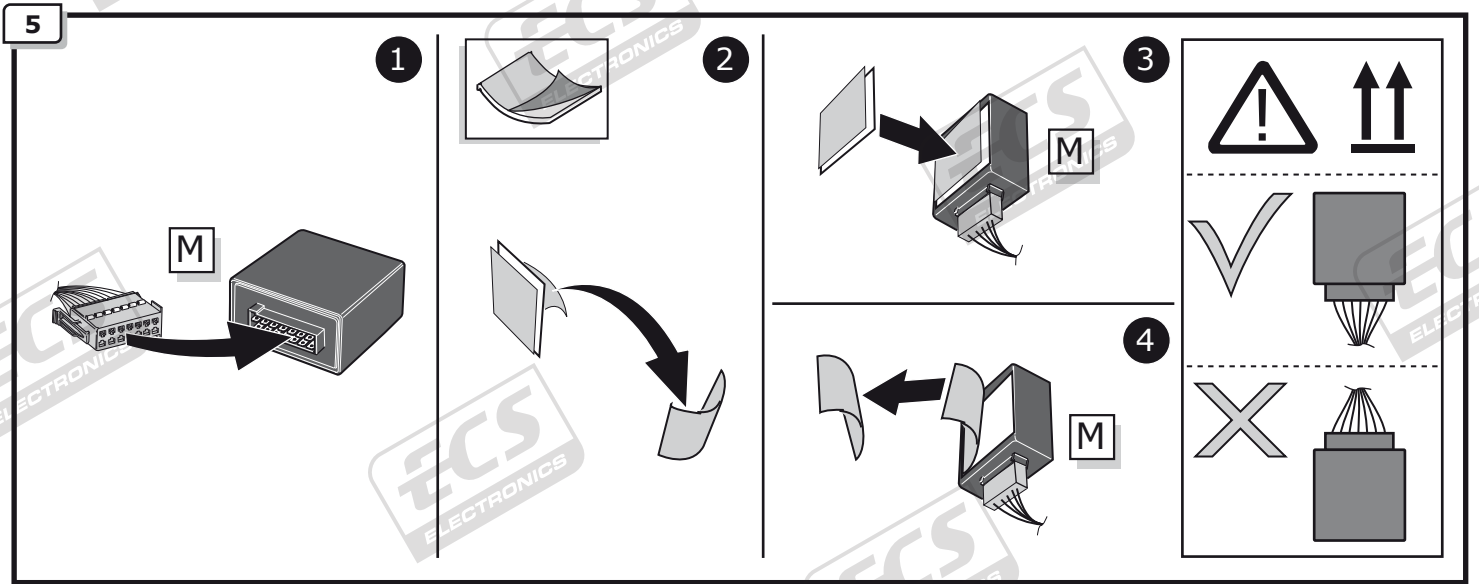


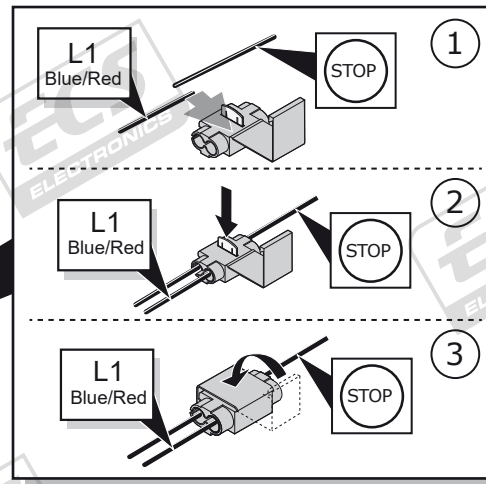
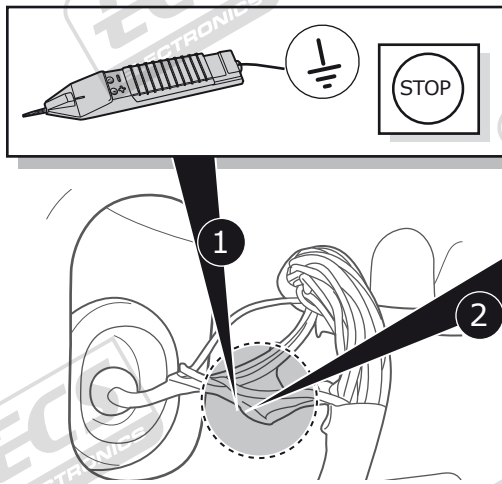
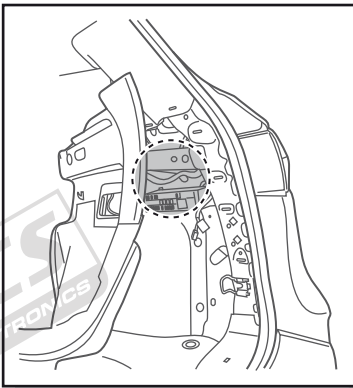
1



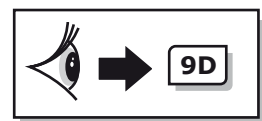
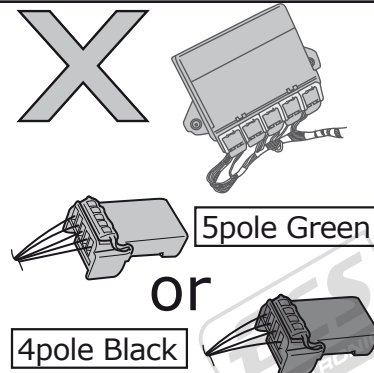
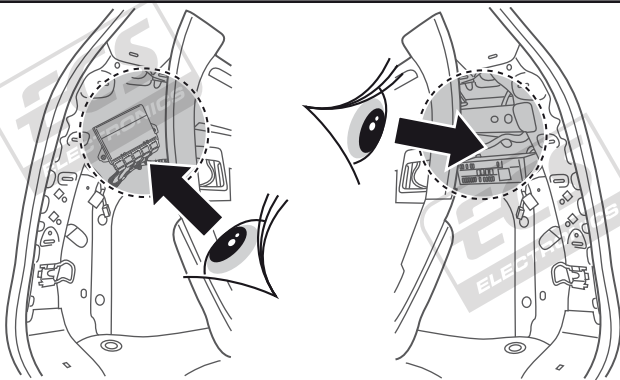
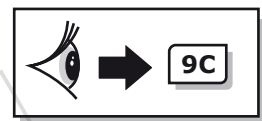
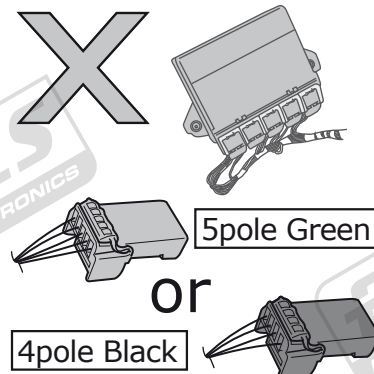
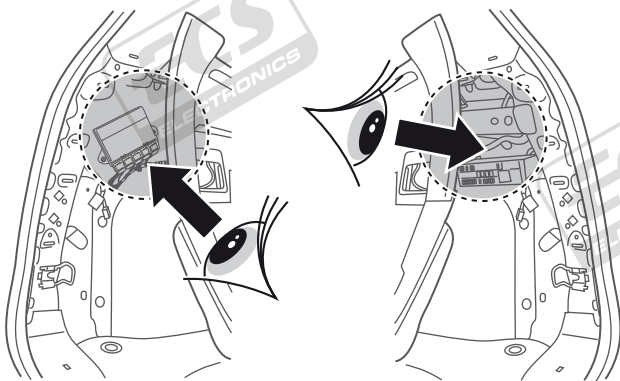
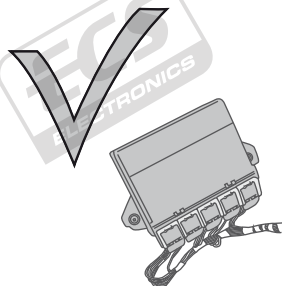
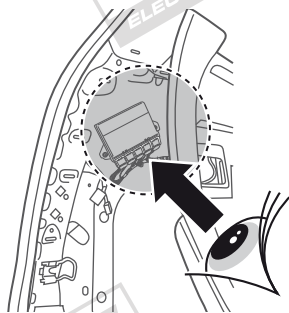
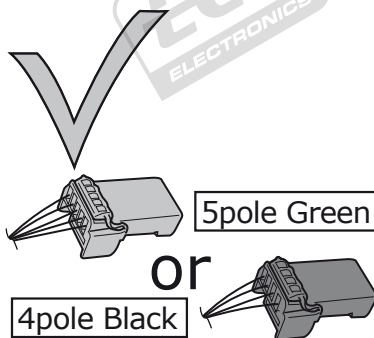
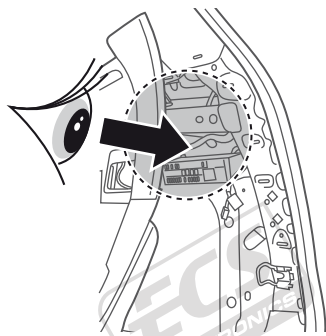






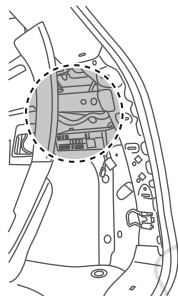
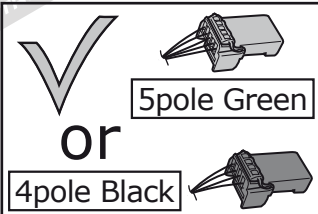
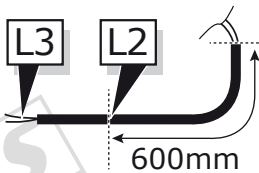


INFO

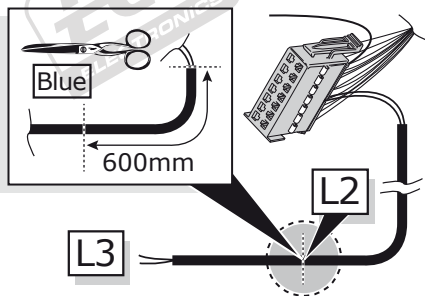


9A

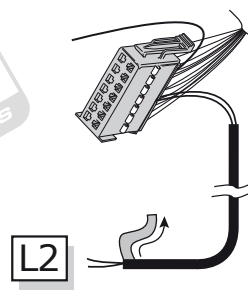
OPTION 1



1



2

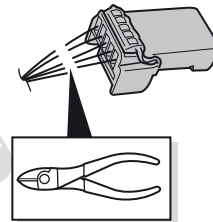
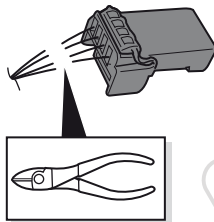


3

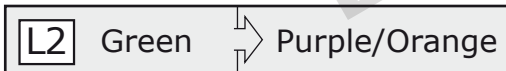
4pole Black

5pole Green

or



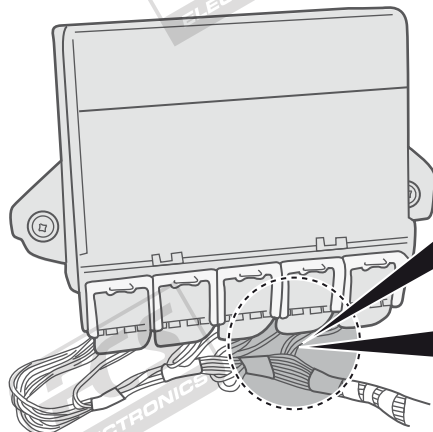
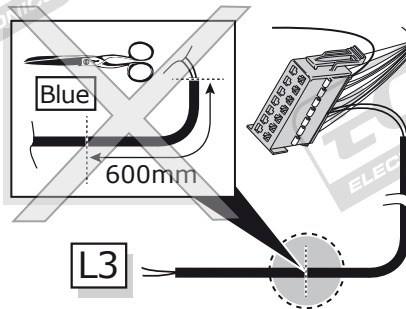
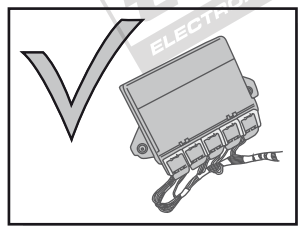
4



2x

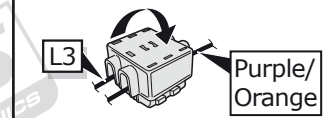
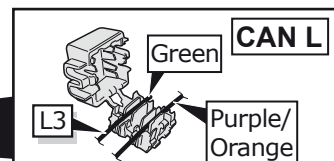
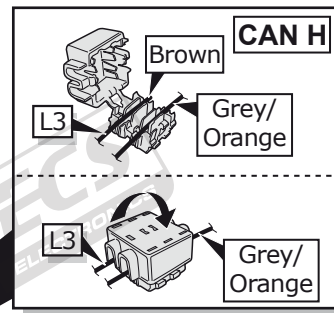
9B

OPTION 2



3

4



OPTION 3

L3

X

5pole Green

4pole Black

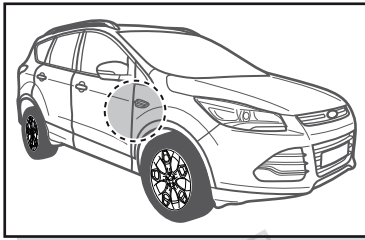
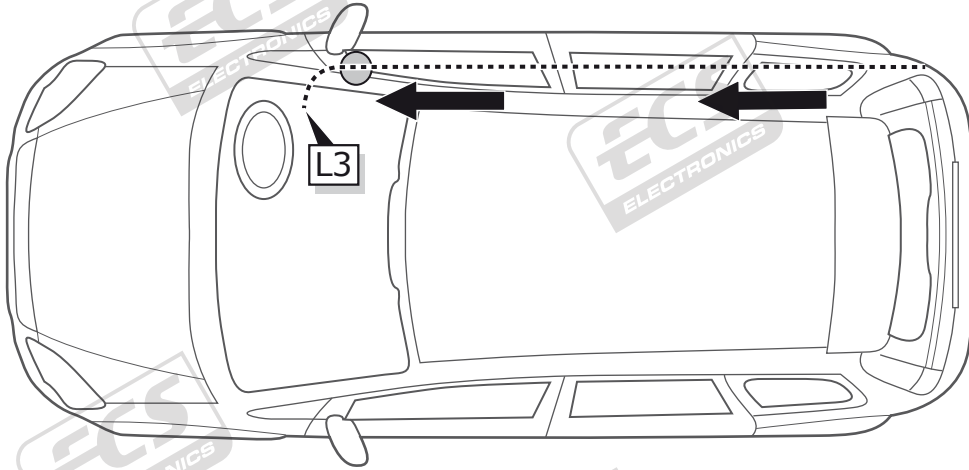
or



Blue

600mm

L3



CAN H

Brown

PIN 3
Grey/
Orange

L3

L3

PIN 3
Grey/
Orange

2

CAN L

Green

PIN 11
Purple/
Orange

L3

L3

PIN 11
Purple/
Orange

3

OBD II

OPTION 4

L3

X

5pole Green

4pole Black

or

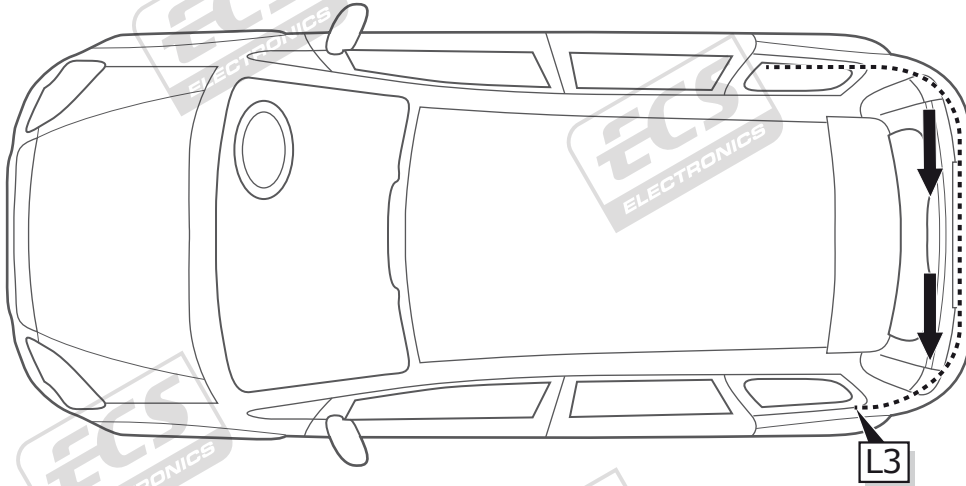


Blue

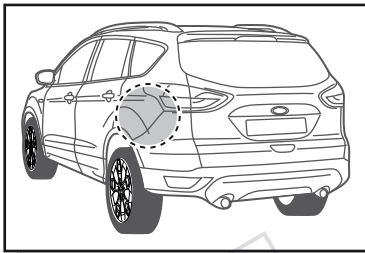
600mm

L3

KUGA 2017-



L3



CAN H

Brown

Grey/
Orange

L3

CAN L

Green

Purple/
Orange

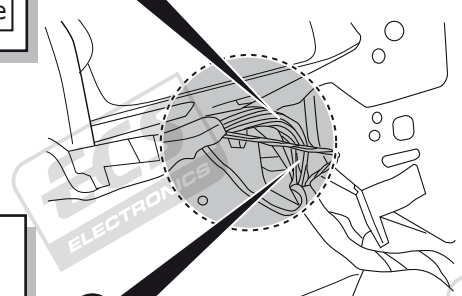
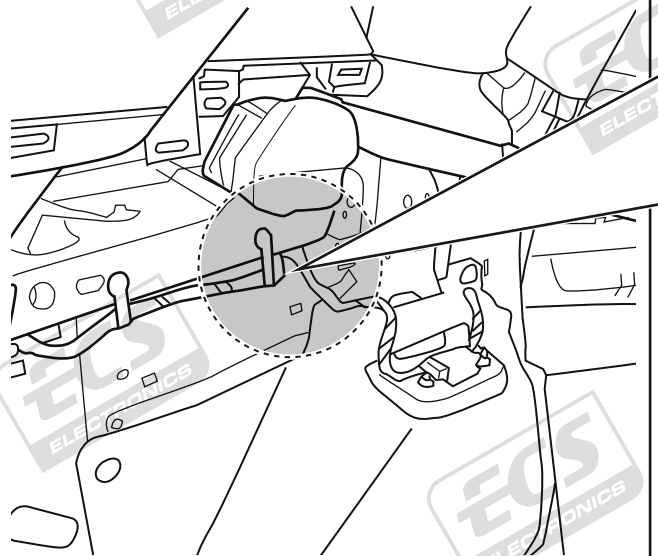
L3

Purple/
Orange

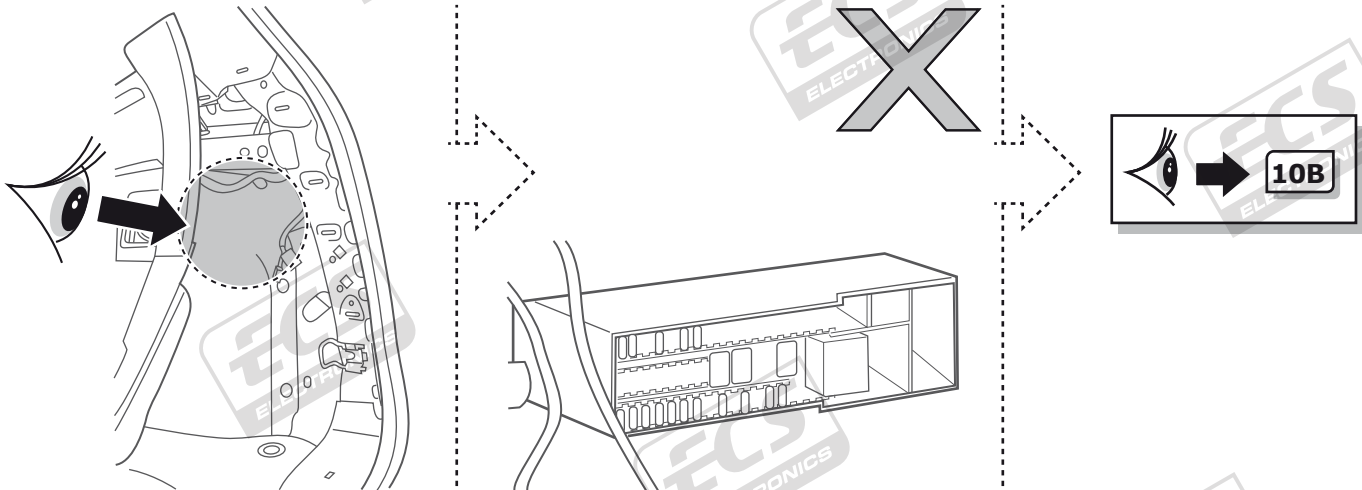
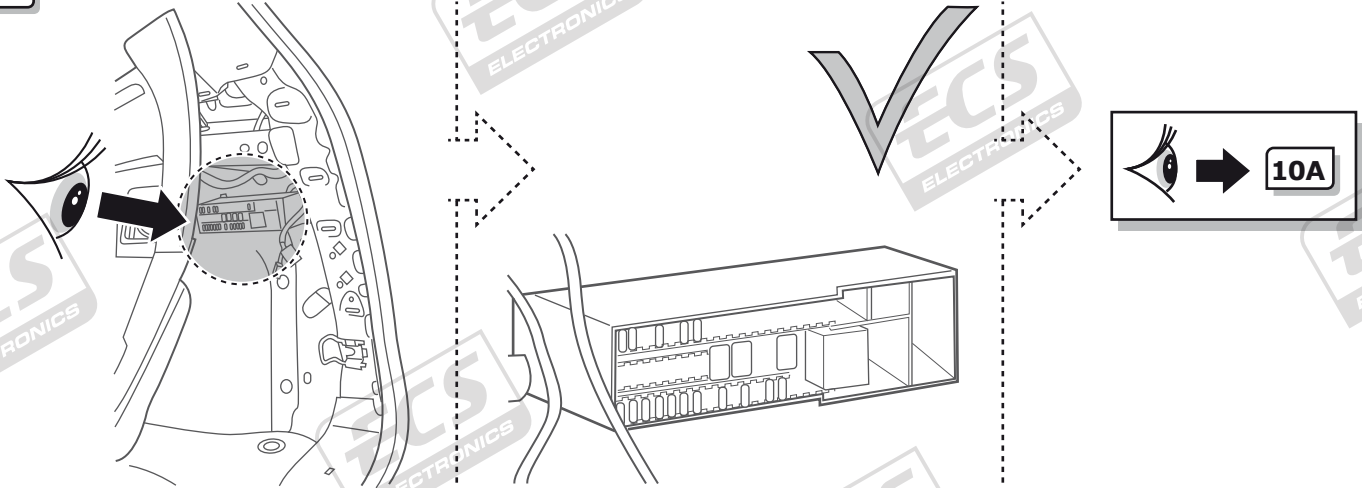
L3

2

3

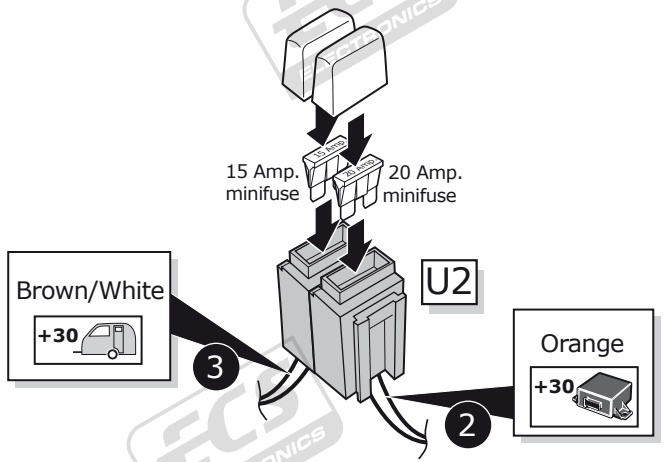
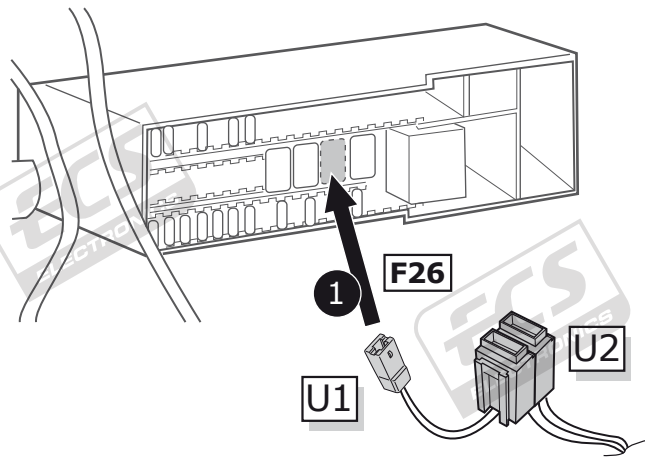
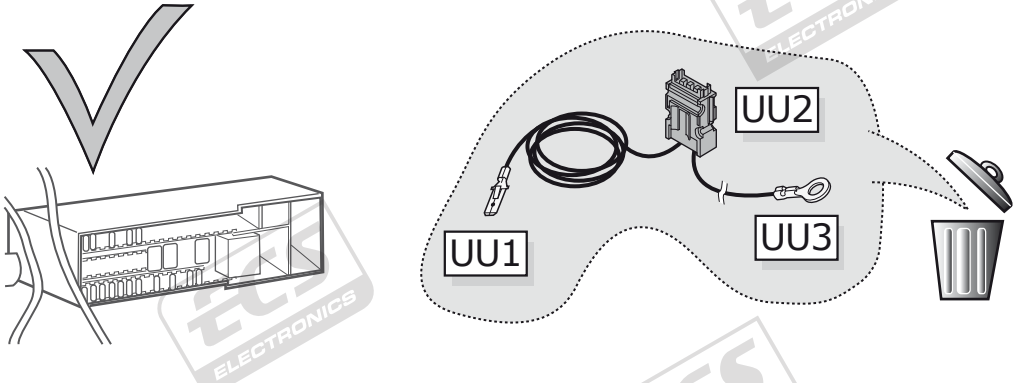
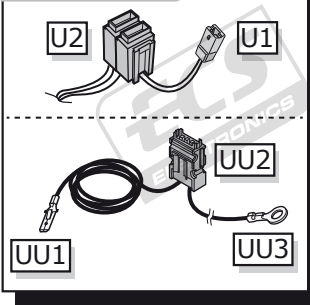


INFO

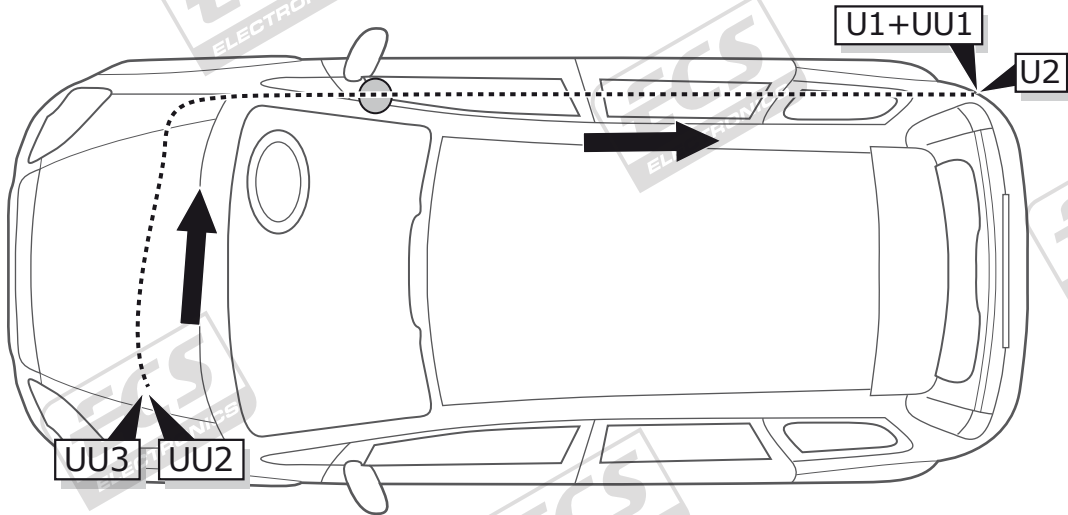
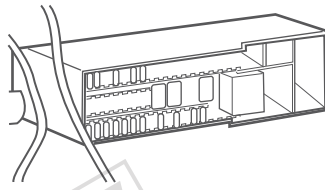
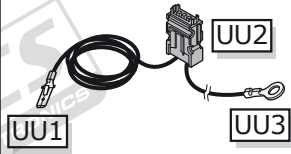
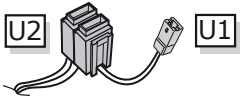


10A

OPTION 1



OPTION 2



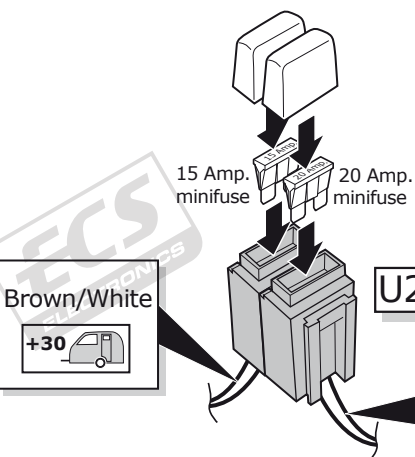
1



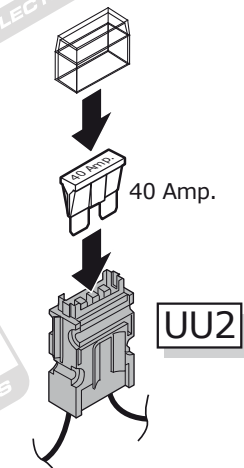
2



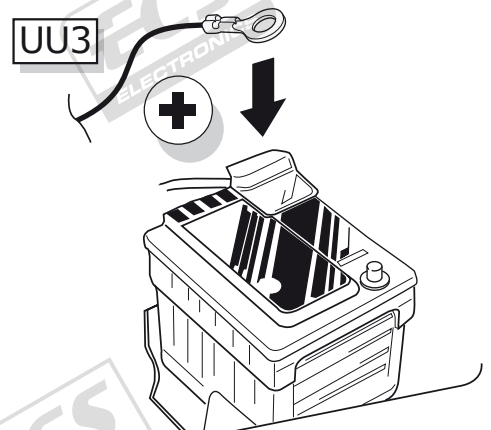
3



4

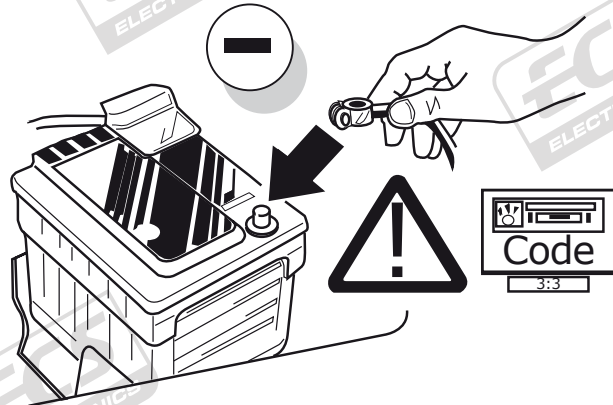


5

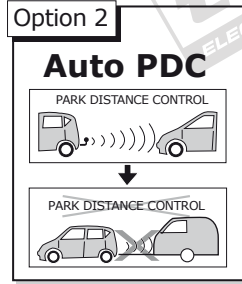
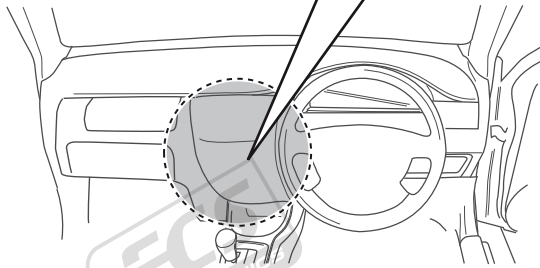
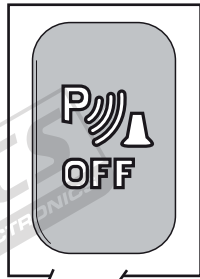
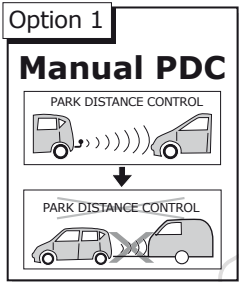


6

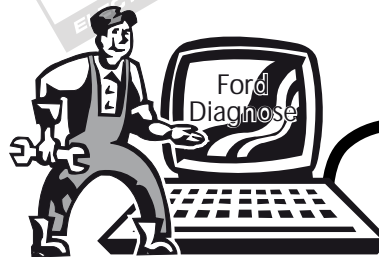
11



12



C2



13

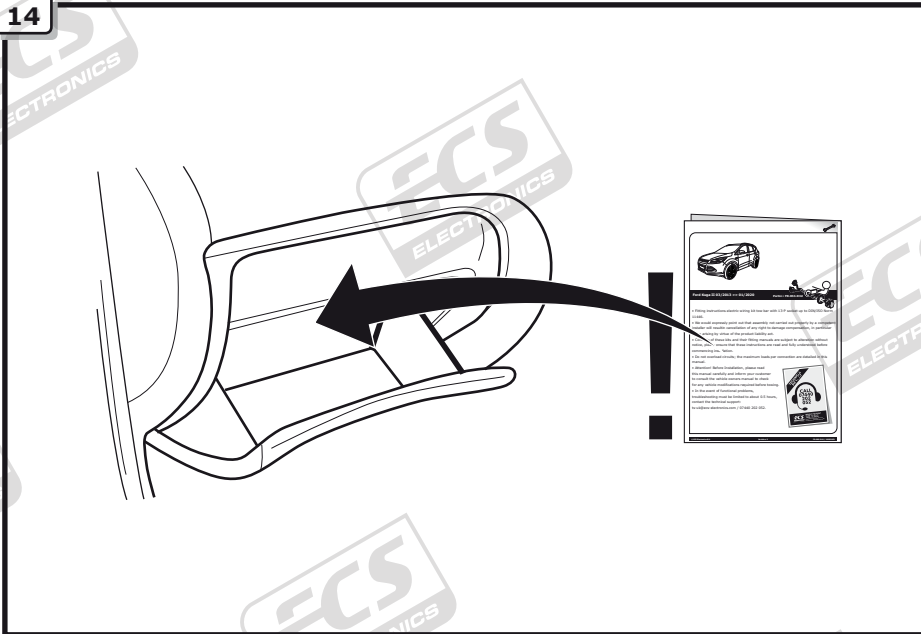


TEST ALL THE CIRCUITS WITH A TEST DEVICE WITH THE CORRECT POWER LOAD FOR EACH FUNCTION. A TEST DEVICE WITH LED'S CANNOT BE USED FOR THIS PURPOSE.

INFO

REINSTALL TRIM.

14



INFO

SOCKET CONNECTION

DIN/ISO 11446													
	1/L	2	3/31	4/R	5/58-R	6/54	7/58-L	8	9	10	11	12	13
Pmax	21W	21W		21W	42W	3x21W	42W	21W	180W/15Amp	180W/15Amp			
Colour	Yellow	Blue	White	Green	Brown	Red 1,00 mm ²	Black	Black/ Red	Brown/ White	Red 2,50 mm ²	White	-	White