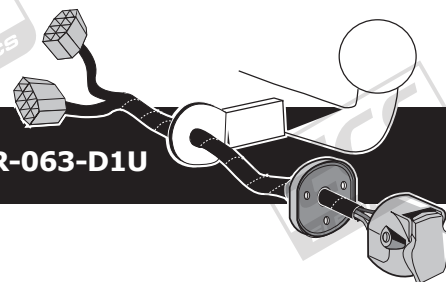


Ford C-MAX II 07/2010-
Ford Focus Sedan 01/2011-
Ford Focus Hatchback 01/2011-

Partnr.: FR-063-D1U



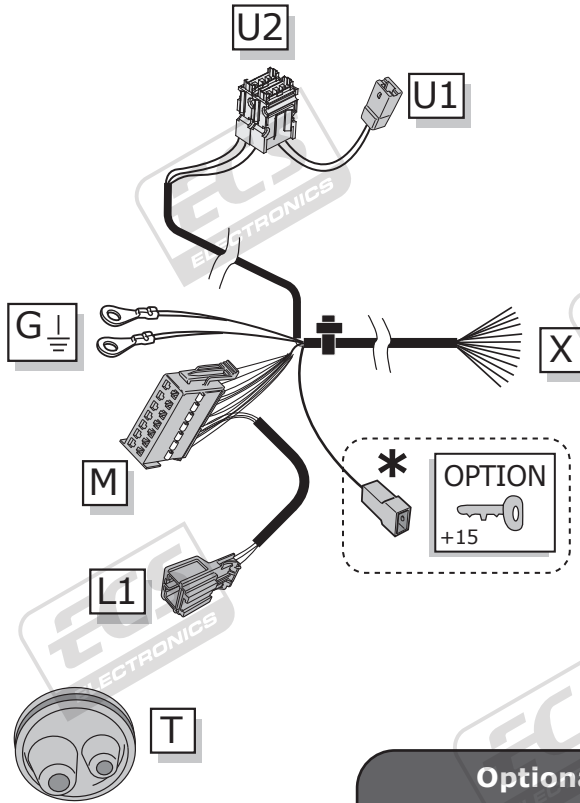
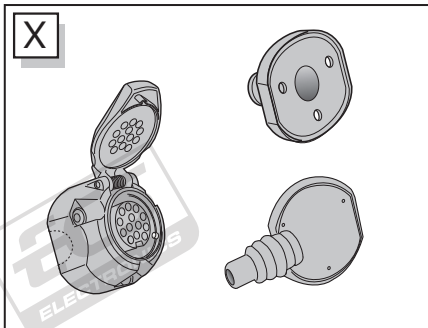
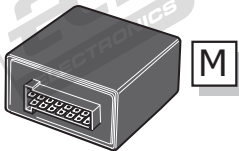
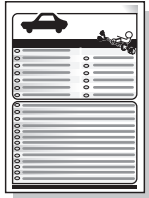
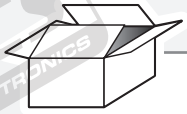
- Fitting instructions electric wiring kit tow bar with 13-P socket up to DIN/ISO Norm 11446.
- We would expressly point out that assembly not carried out properly by a competent installer will result in cancellation of any right to damage compensation, in particular those arising by virtue of the product liability act.
- Contents of these kits and their fitting manuals are subject to alteration without notice, please ensure that these instructions are read and fully understood before commencing installation.
- Do not overload circuits; the maximum loads per connection are detailed in this manual.
- Attention! Before Installation, please read this manual carefully and inform your customer to consult the vehicle owners manual to check for any vehicle modifications required before towing.
- In the event of functional problems, troubleshooting must be limited to about 0.5 hours, contact the technical support:
t.skinner@ecs-electronics.com / 07440 202 052.

TECHNICAL SUPPORT

CALL
07440
202
052

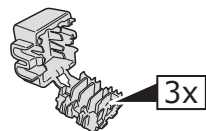
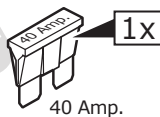
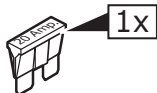
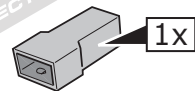
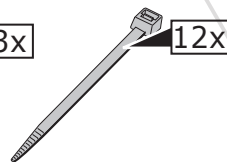
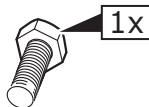
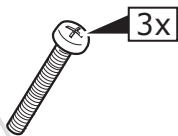
ECS ELECTRONICS
MONDAY TO FRIDAY
08.00 - 11.00 am
12.00 - 05.00 pm
t.skinner@ecs-electronics.com
www.ecs-electronicsuk.co.uk

Part list



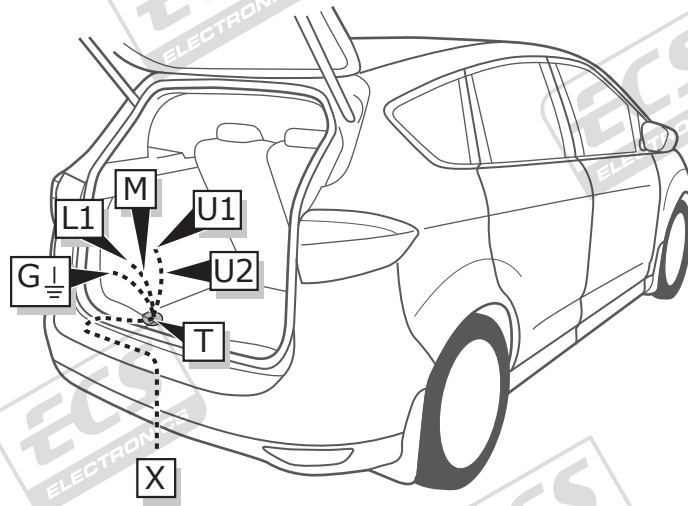
Optional
FR-050-YZ & UN-094-YZ

Pag. 11

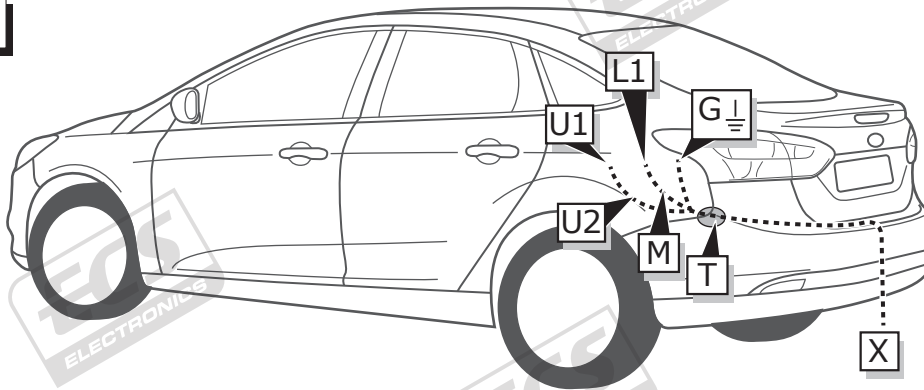


ROUTING

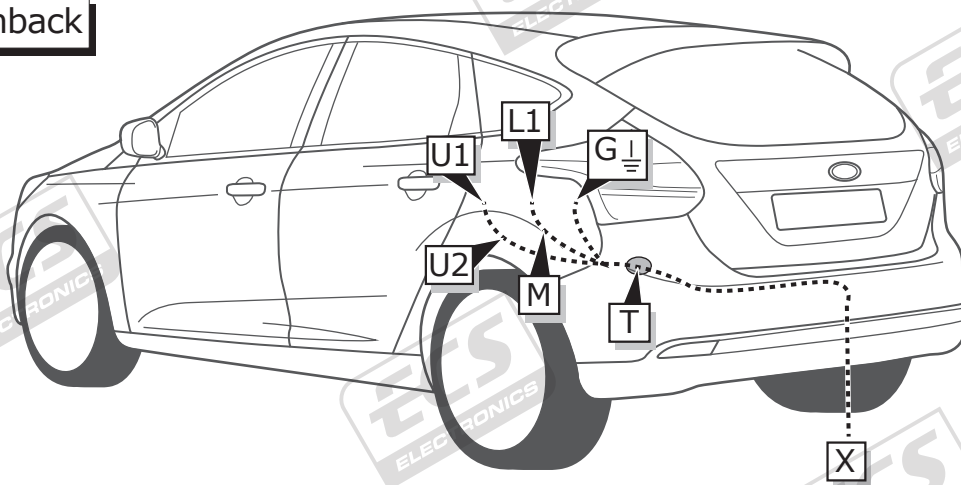
C-Max II



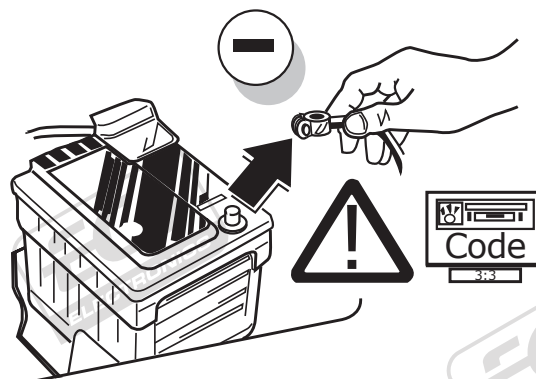
Focus Sedan



Focus Hatchback

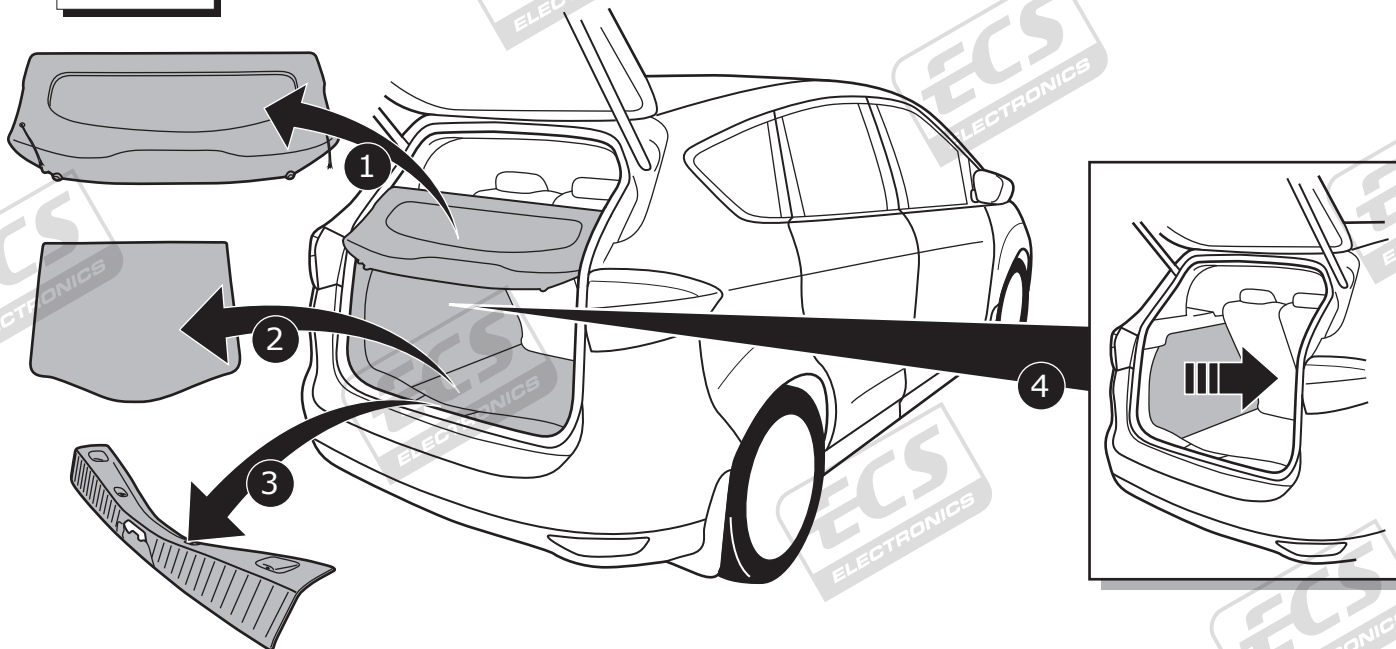


1



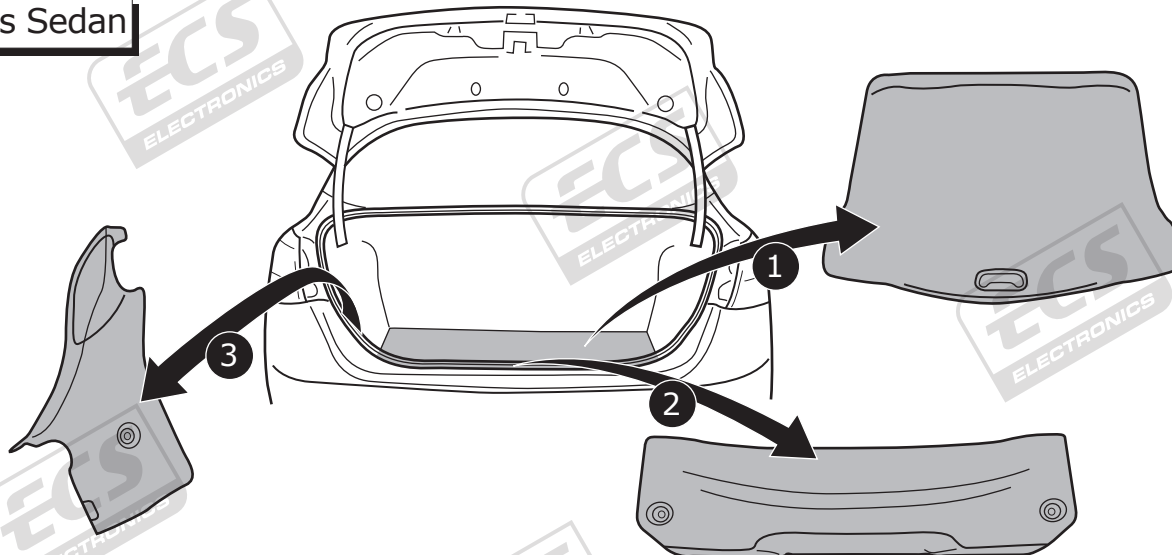
2

C-Max II



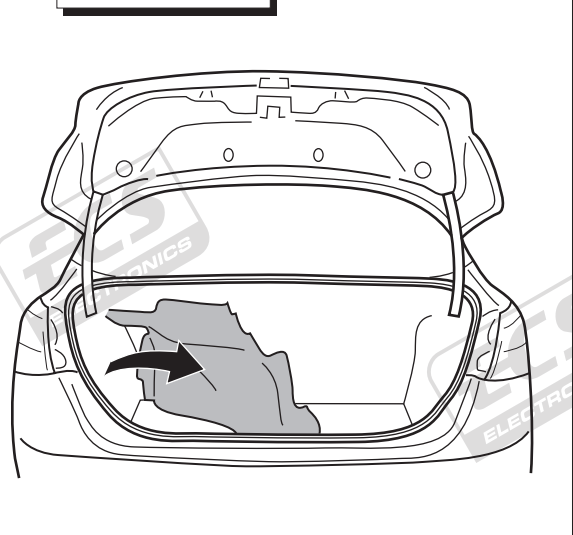
3

Focus Sedan



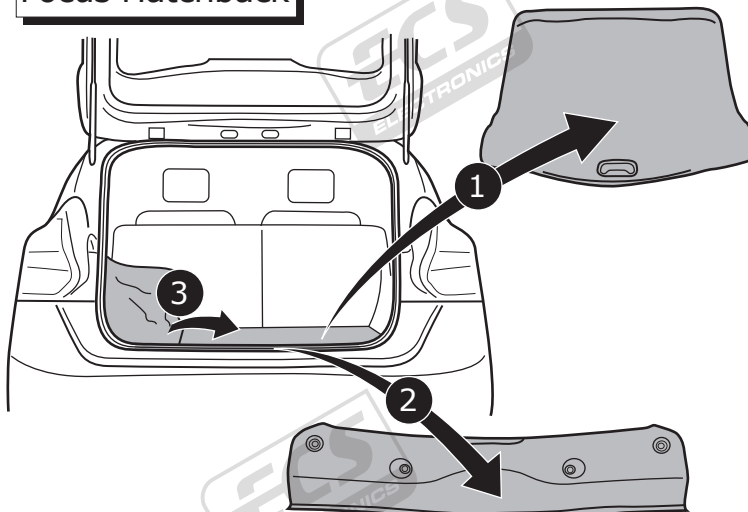
4

Focus Sedan



5

Focus Hatchback

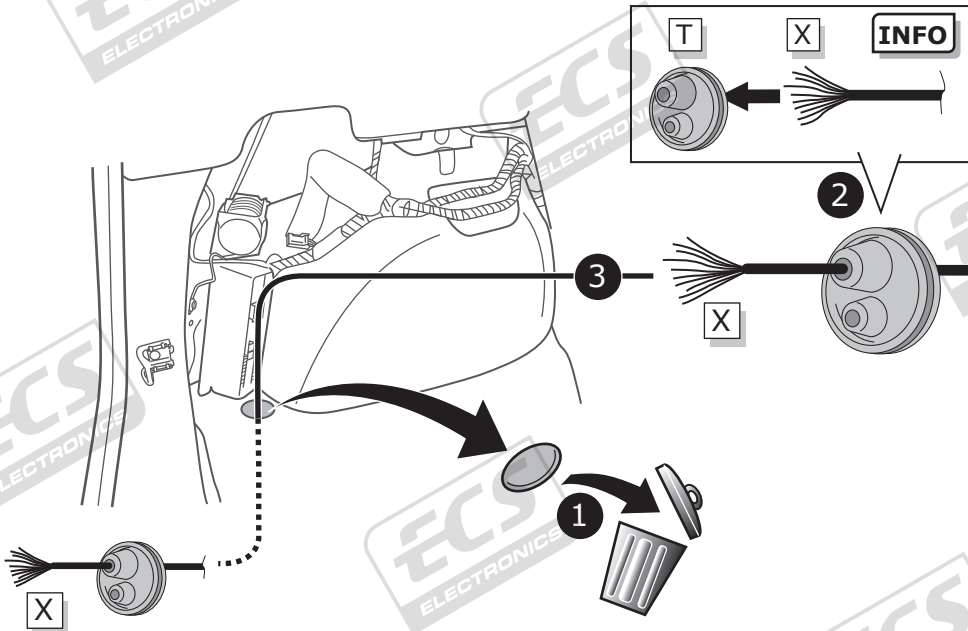


6

C-Max II

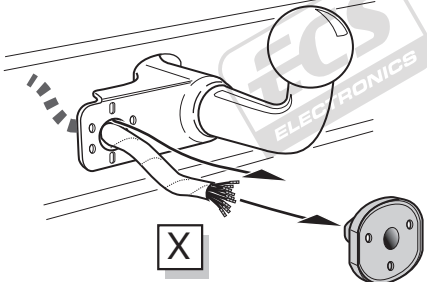
Focus Sedan

Focus Hatchback

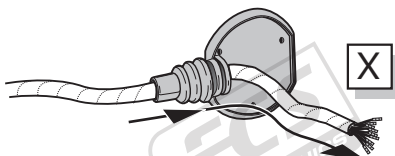


A

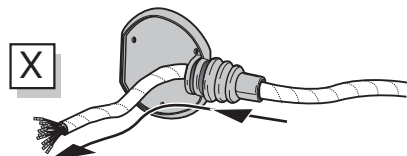
Option 1



Option 2



Option 3



INFO

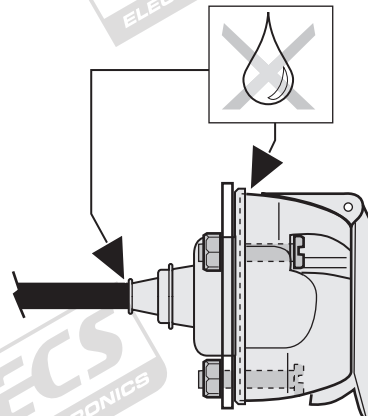
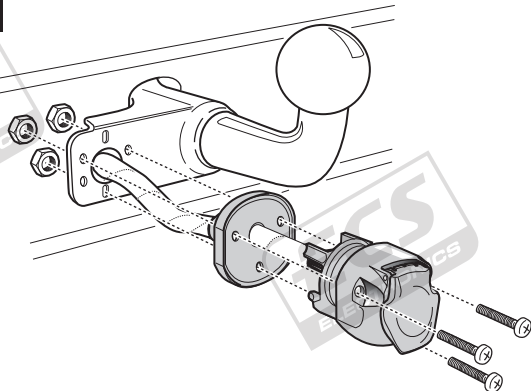
SOCKET CONNECTION

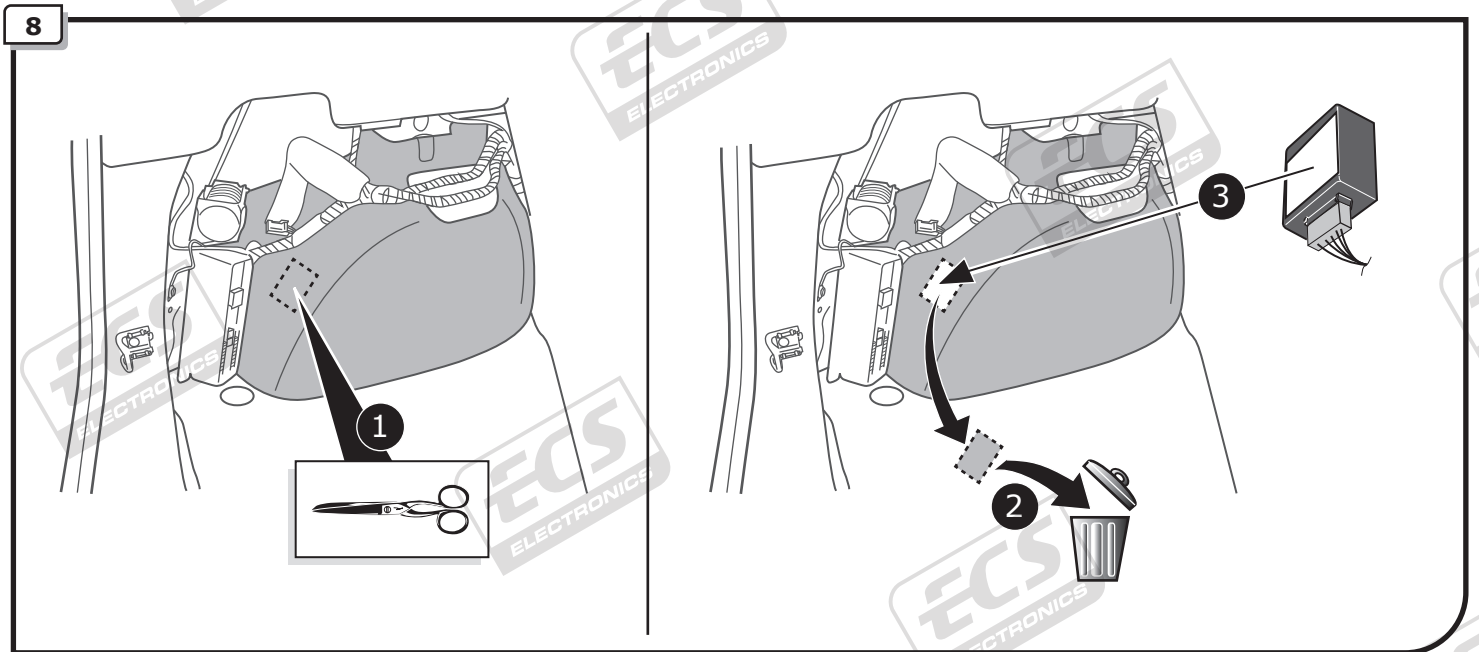
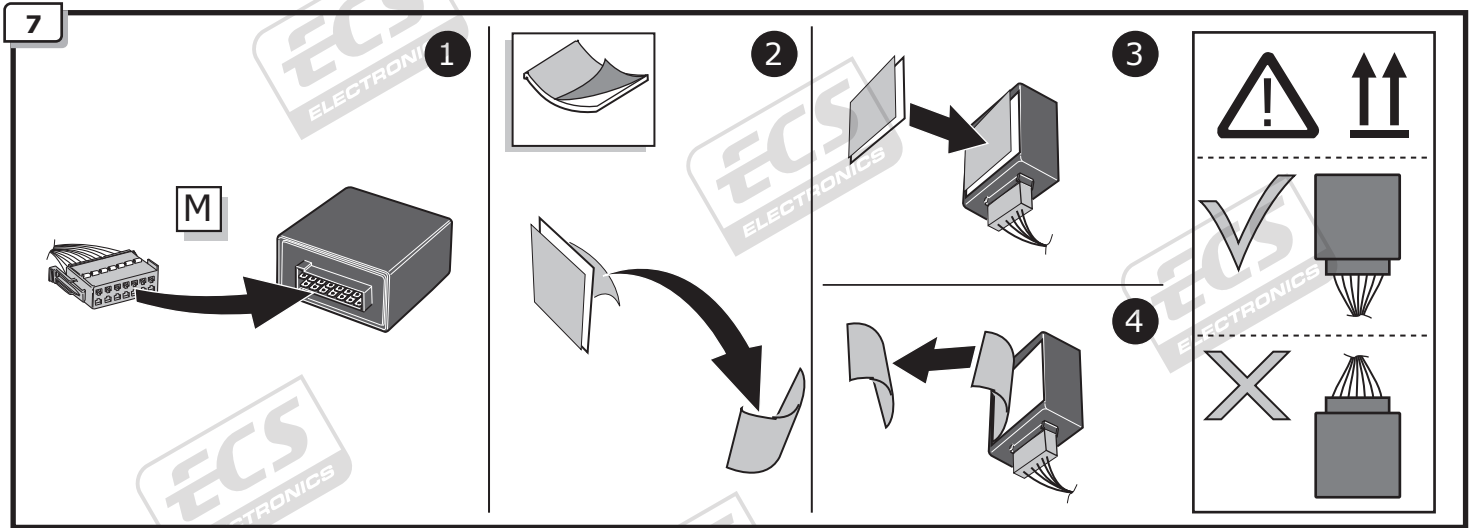
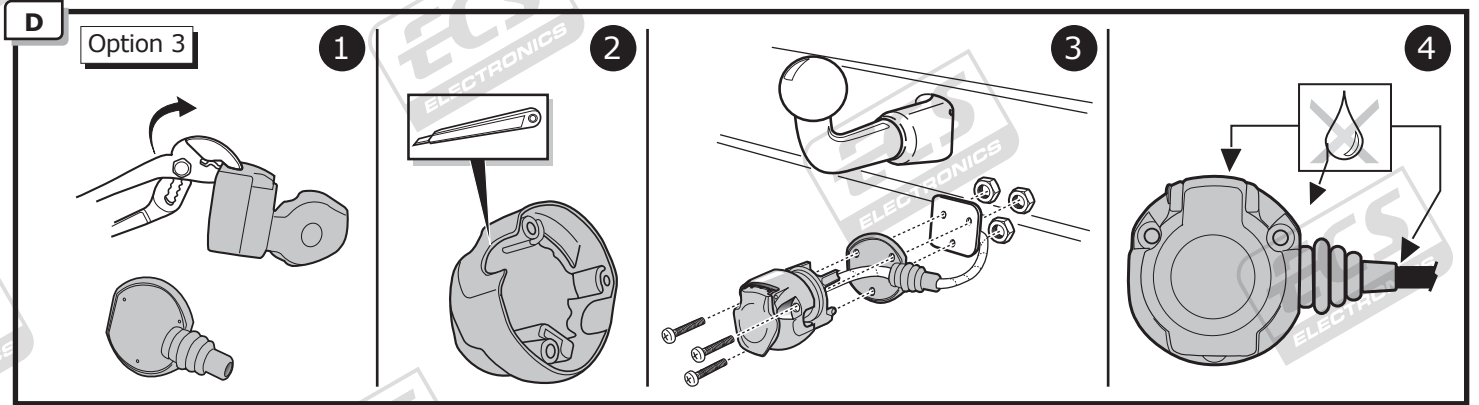
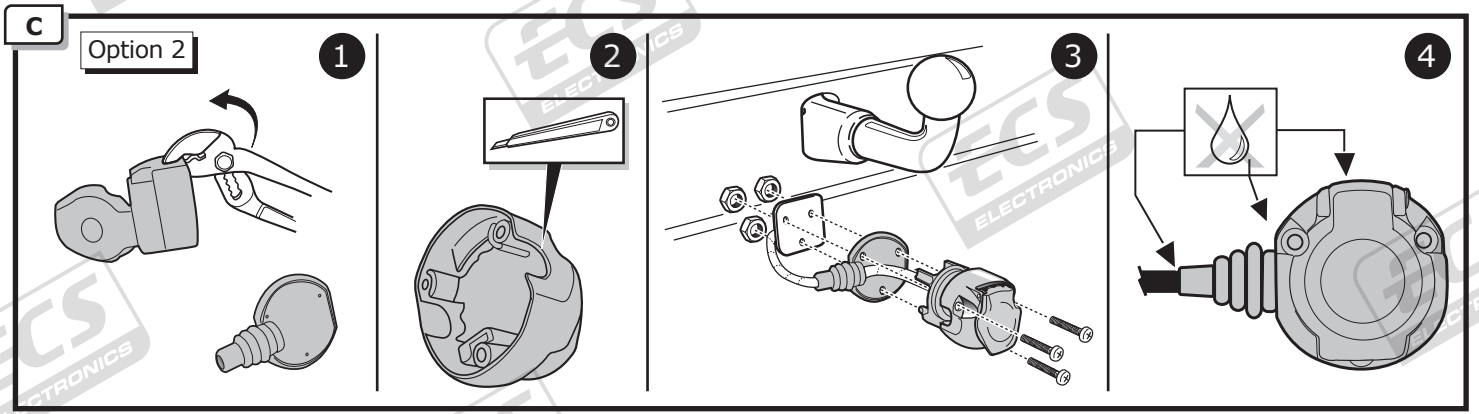


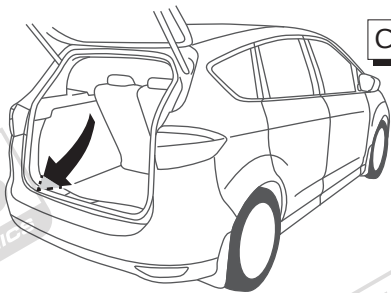
Pag. 10

B

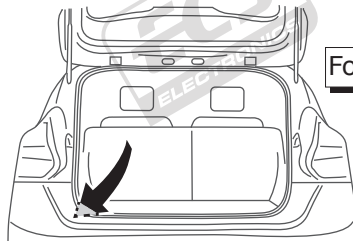
Option 1



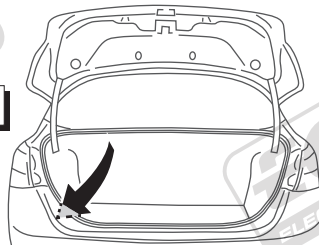




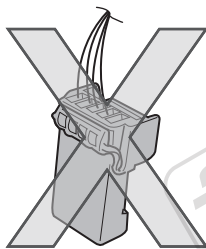
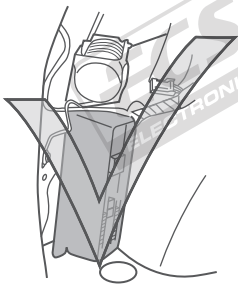
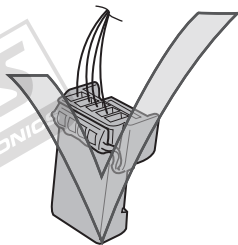
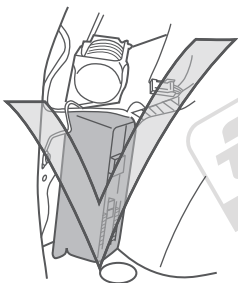
C-Max II




Focus Hatchback

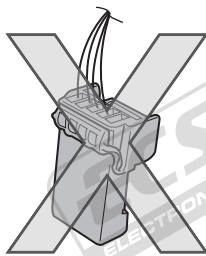
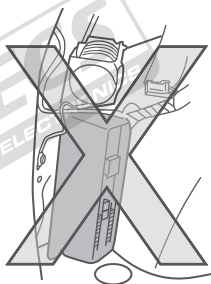


Focus Sedan

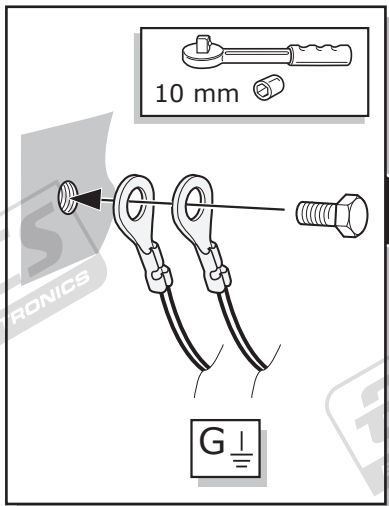


Optional
FR-050-YZ & UN-094-YZ

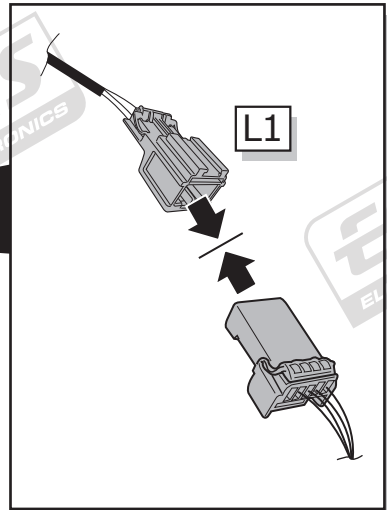
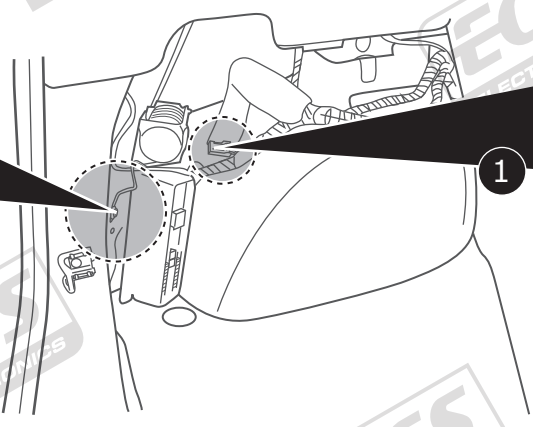
 **Pag. 11**



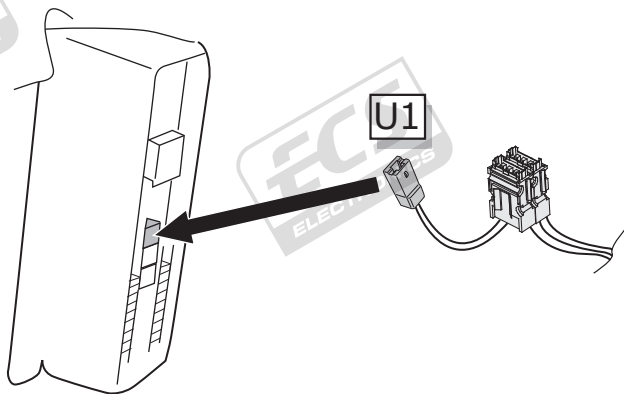
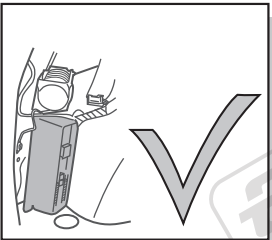
9



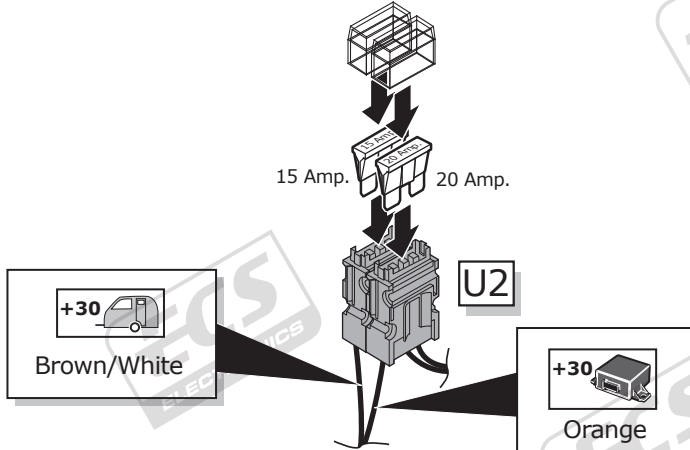
2



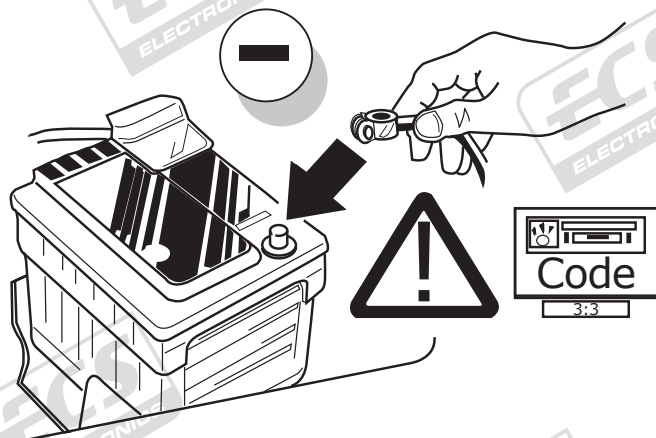
10



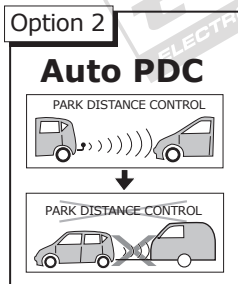
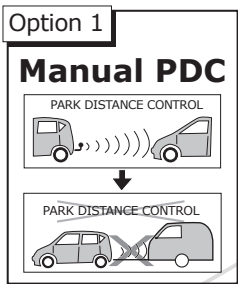
11



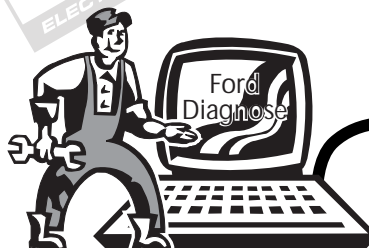
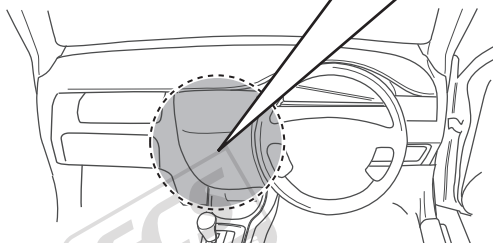
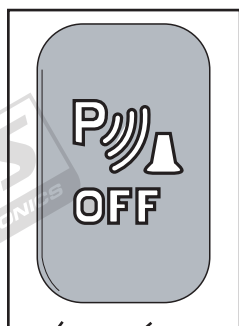
12



13



Parameter 20
Parameter 76



14

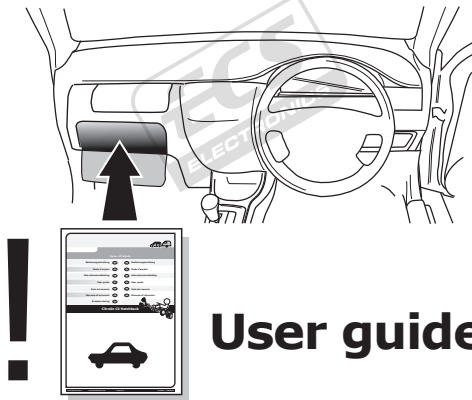


TEST ALL THE CIRCUITS WITH A TEST DEVICE WITH THE CORRECT POWER LOAD FOR EACH FUNCTION. A TEST DEVICE WITH LED'S CANNOT BE USED FOR THIS PURPOSE.

INFO

REINSTALL TRIM.

15



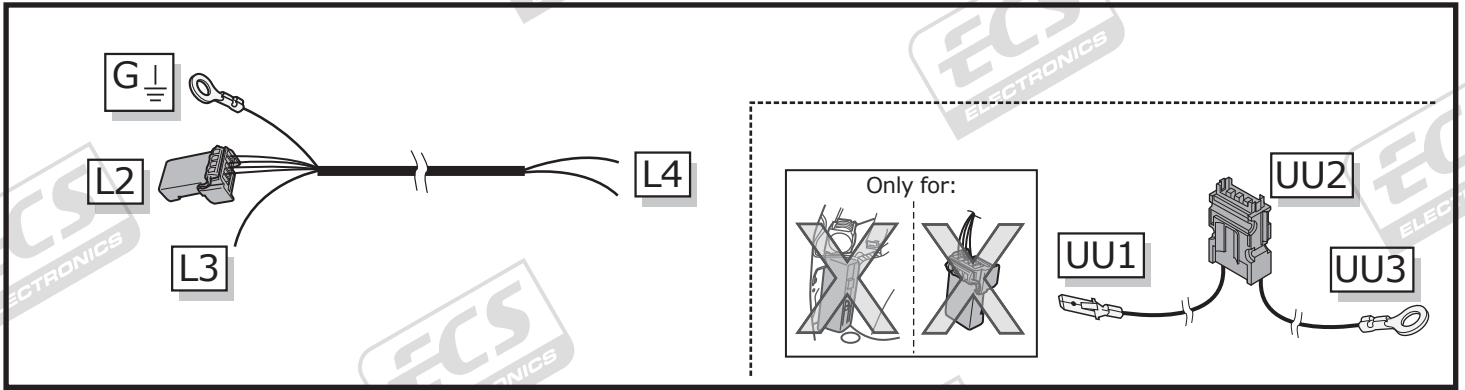
User guide



INFO

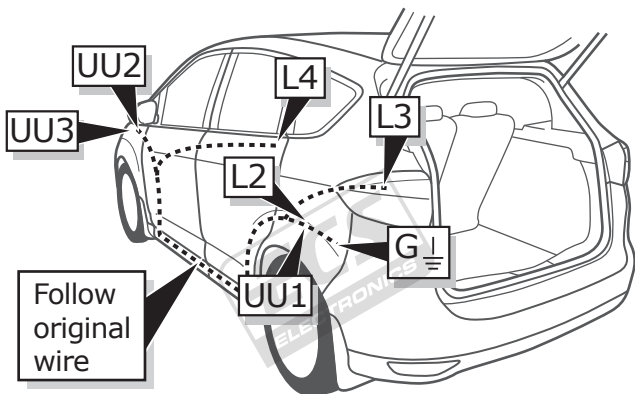
SOCKET CONNECTION

DIN/ISO 11446													
	1/L	2	3/31	4/R	5/58-R	6/54	7/58-L	8	9	10	11	12	13
Pmax	21W	21W		21W	42W	3x21W	42W	21W	180W/15Amp	180W/15Amp			
Colour	Yellow	Blue	White	Green	Brown	Red 1,00 mm ²	Black	Black/ Red	Brown/ White	Red 2,50 mm ²	White	-	White

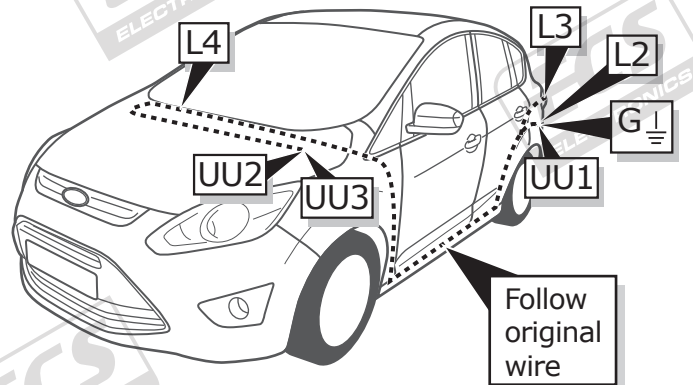


ROUTING

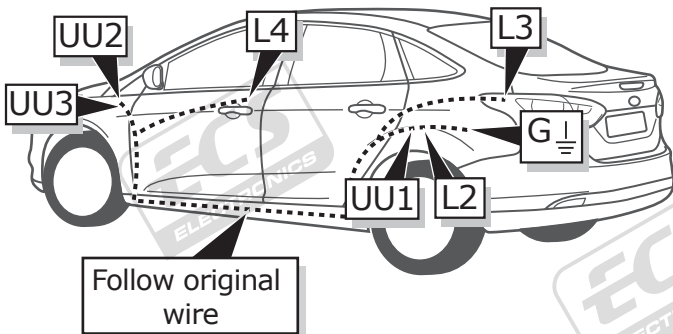
C-Max II: option 1



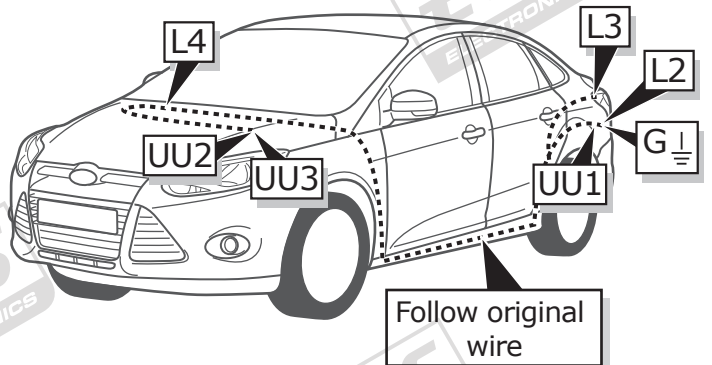
C-Max II: option 2



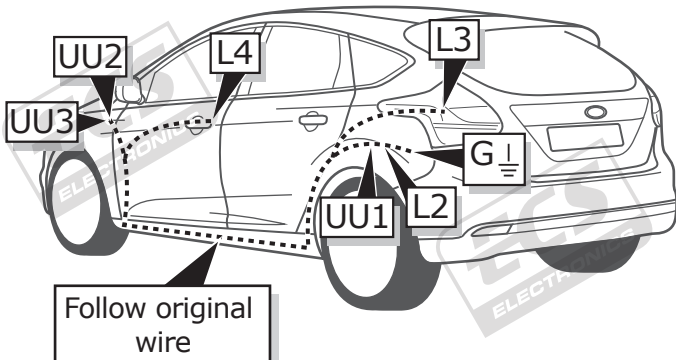
Focus Sedan: option 1



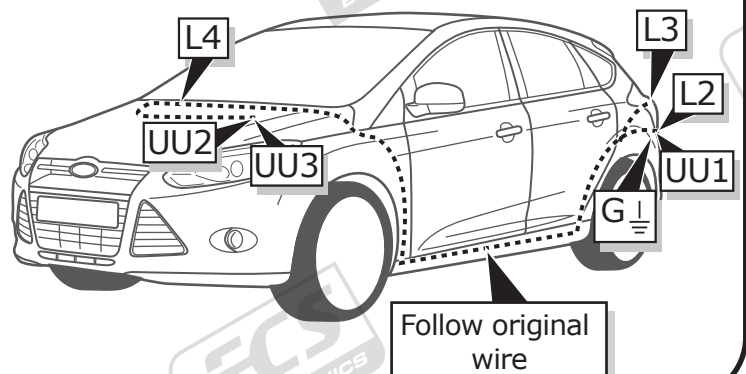
Focus Sedan: option 2



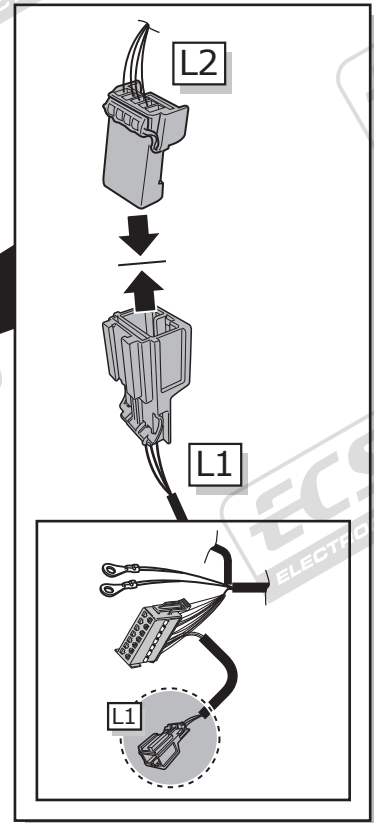
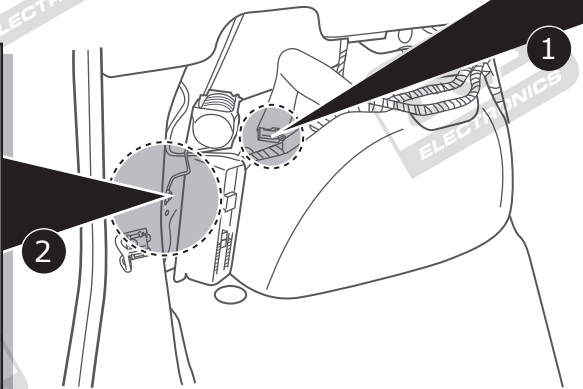
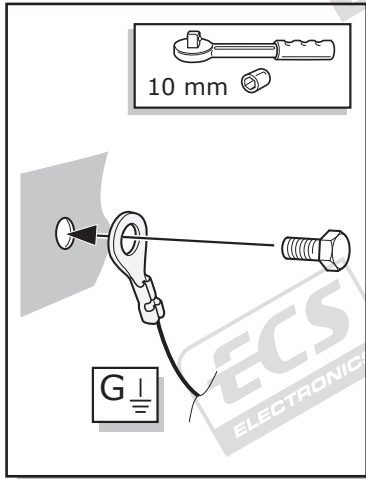
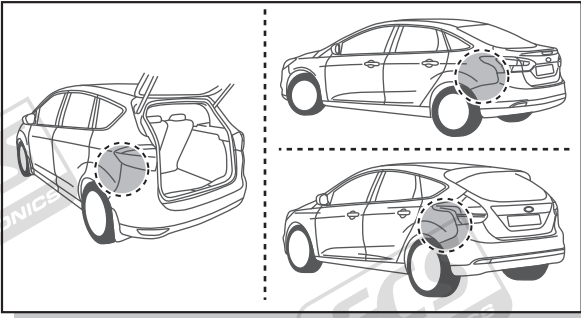
Focus Hatchback: option 1



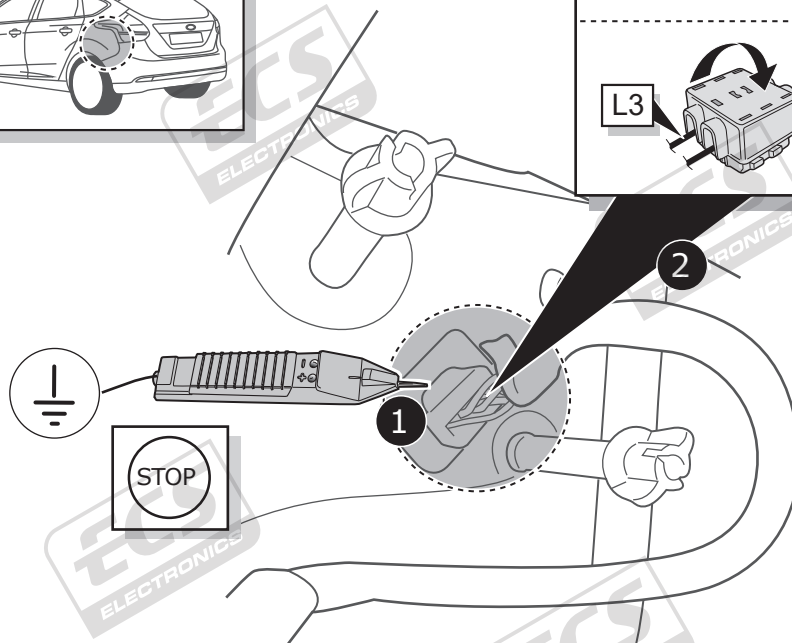
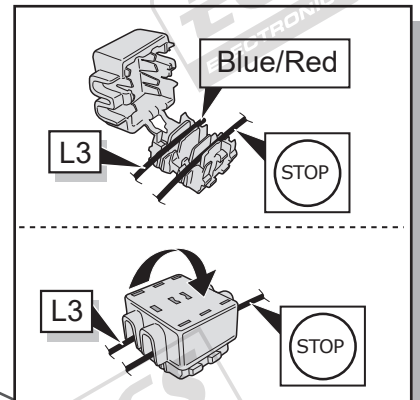
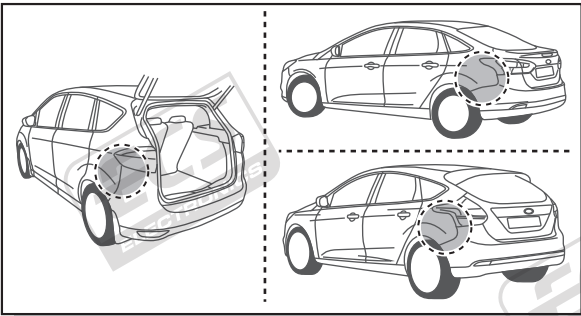
Focus Hatchback: option 2



A

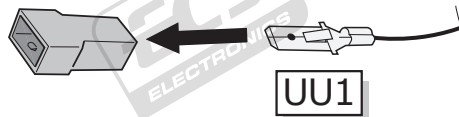
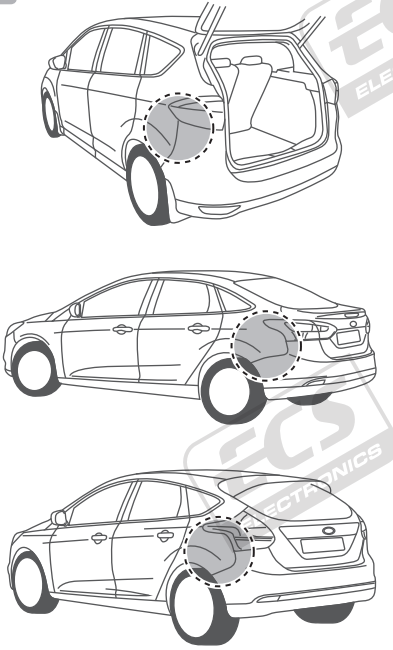


B

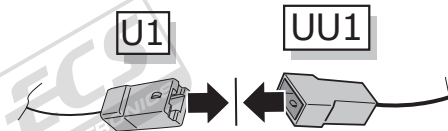




C

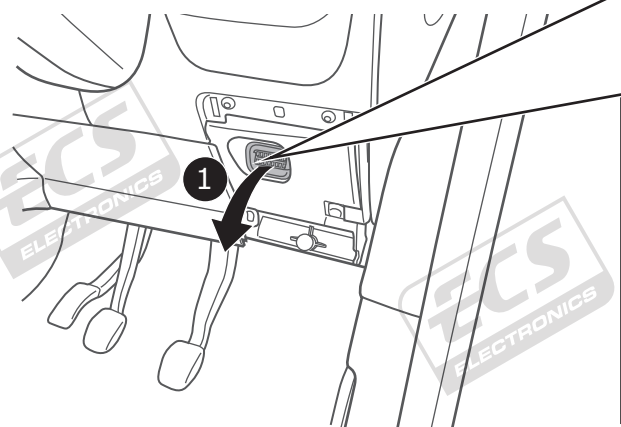
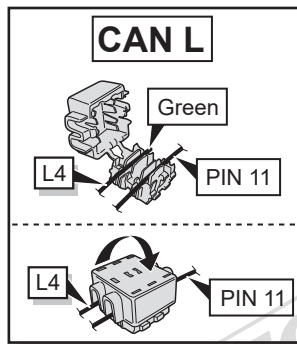
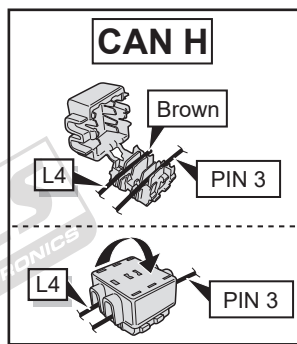
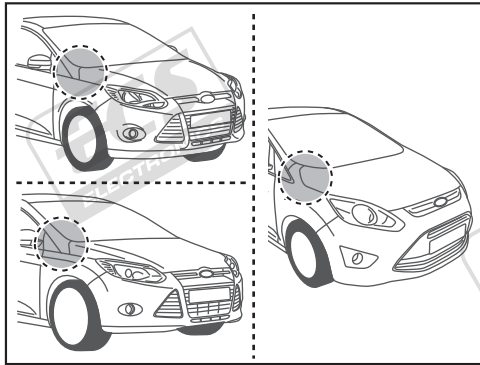


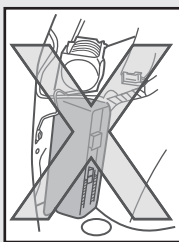
1



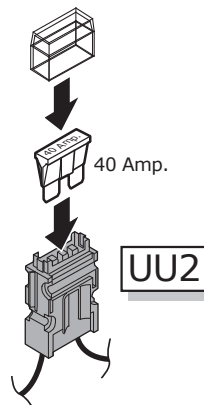
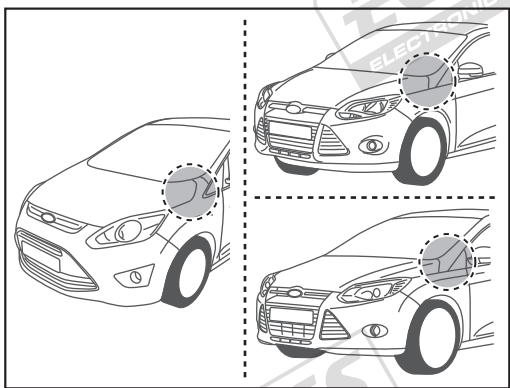
2

D





E



F

