

Ford Kuga II 03/2013 >> 01/2020

Partnr.: FR-060-B1U

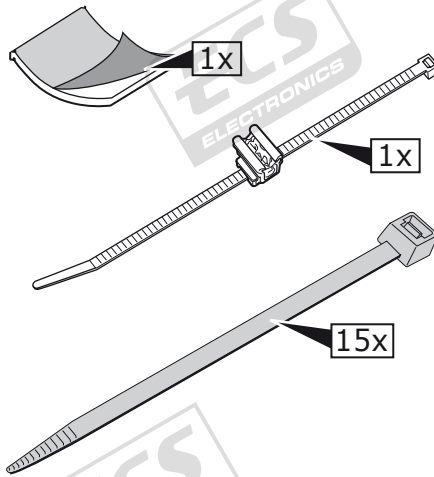
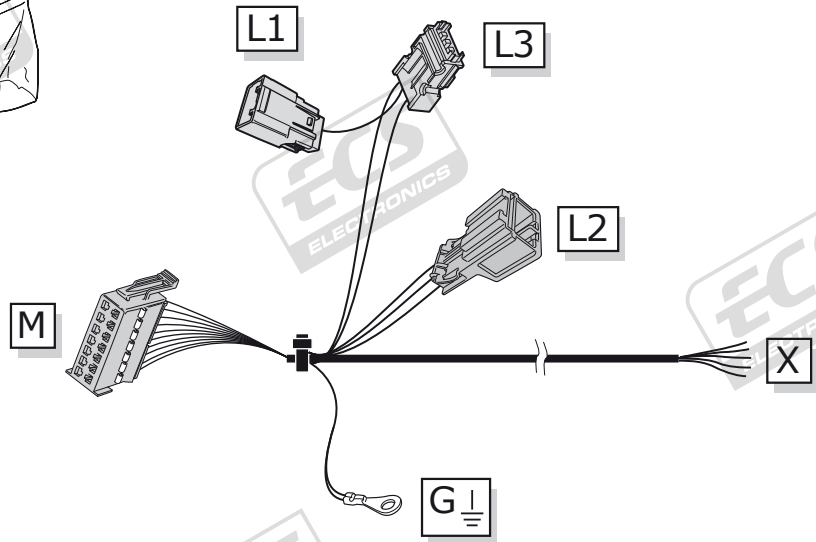
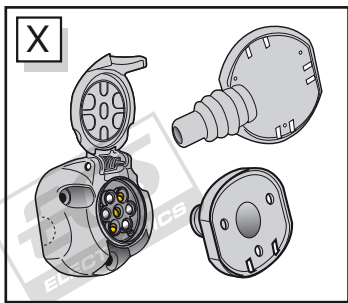
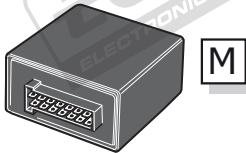
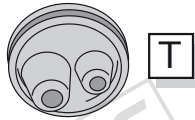
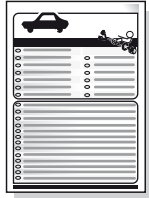
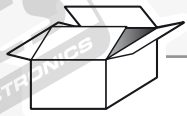
- Fitting instructions electric wiring kit tow bar with 12-N socket up to DIN/ISO Norm 1724.
- We would expressly point out that assembly not carried out properly by a competent installer will result in cancellation of any right to damage compensation, in particular those arising by virtue of the product liability act.
- Contents of these kits and their fitting manuals are subject to alteration without notice, please ensure that these instructions are read and fully understood before commencing installation.
- Do not overload circuits; the maximum loads per connection are detailed in this manual.
- Attention! Before Installation, please read this manual carefully and inform your customer to consult the vehicle owners manual to check for any vehicle modifications required before towing.
- In the event of functional problems, troubleshooting must be limited to about 0.5 hours, contact the technical support:
ts-uk@ecs-electronics.com / 07440 202 052.

TECHNICAL SUPPORT

CALL
07440
202
052

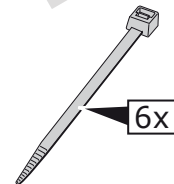
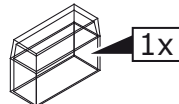
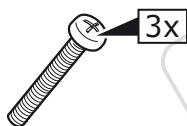
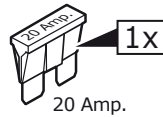
ECS ELECTRONICS
MONDAY TO FRIDAY
08.00 - 11.00 am
12.00 - 05.00 pm
ts-uk@ecs-electronics.com
www.ecs-electronicsuk.co.uk

Part list

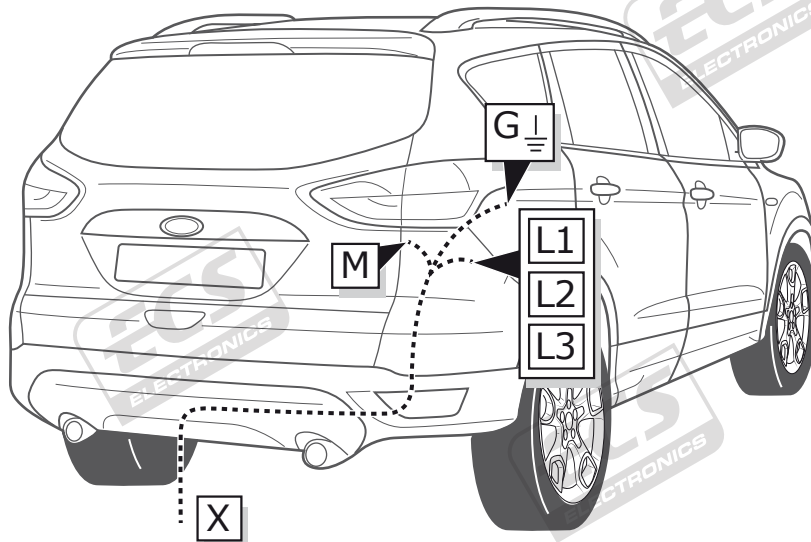


UN-243-YZ
 Optional reverse lamp
 pre-wire extension included

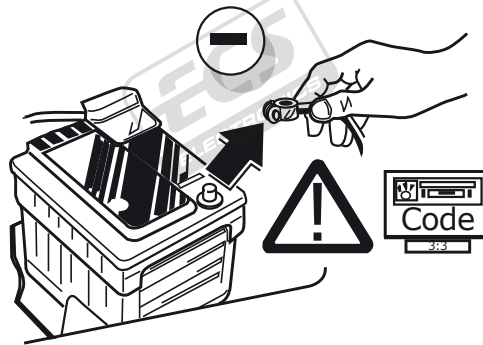
Pag. 10



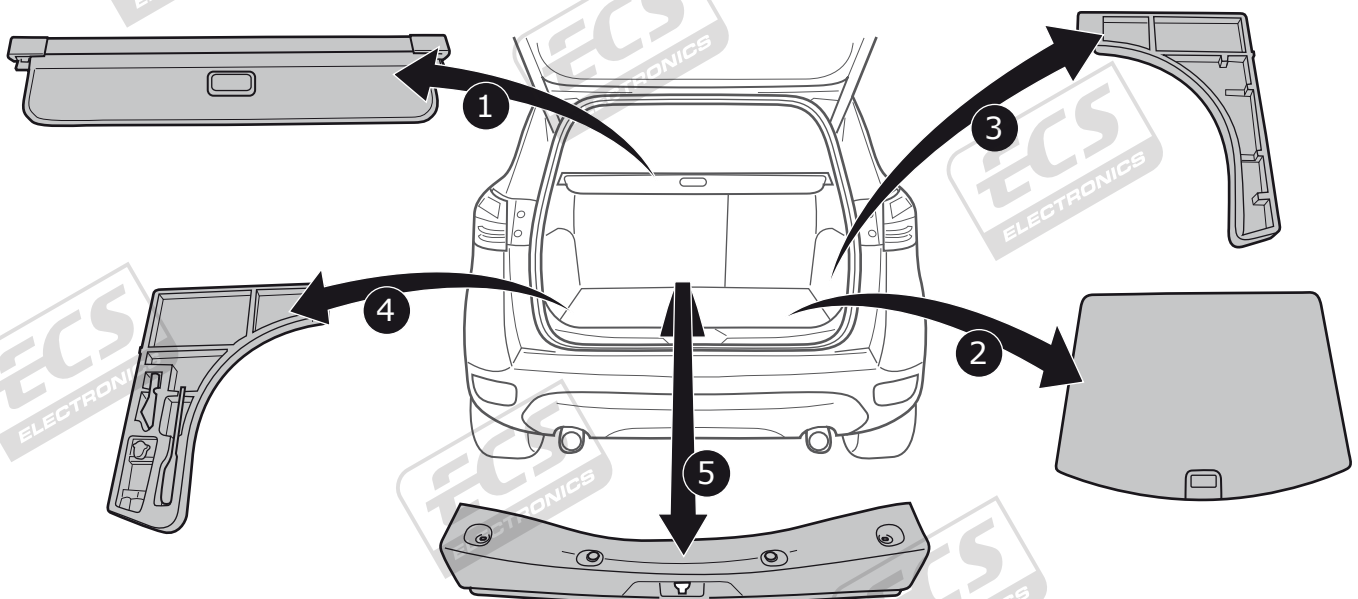
ROUTING



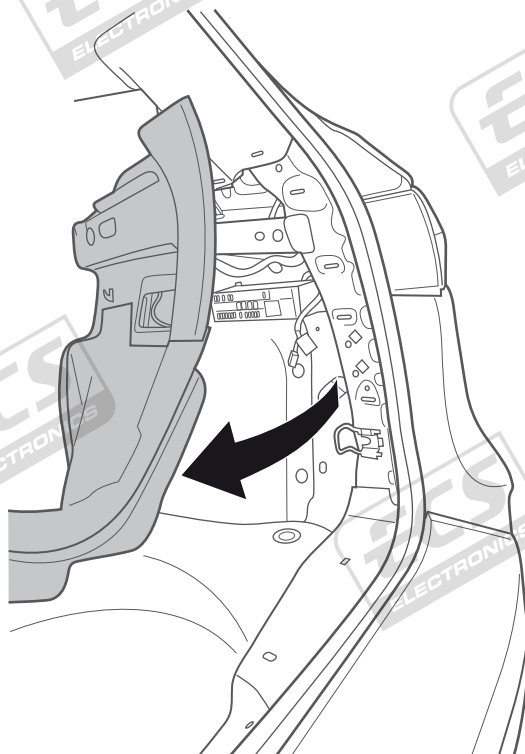
1



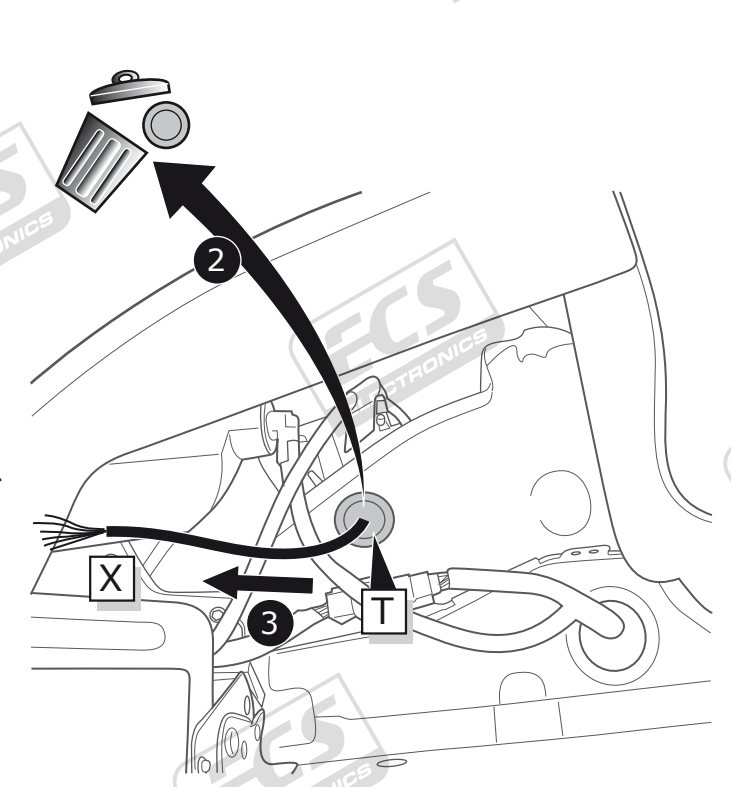
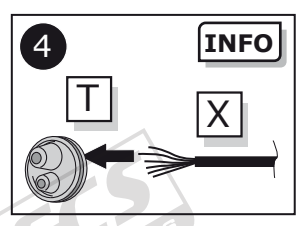
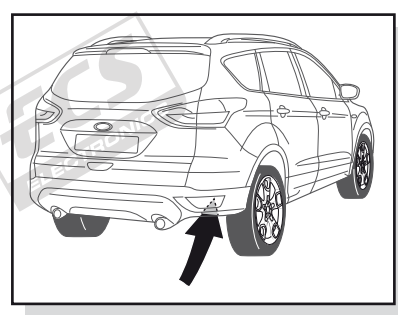
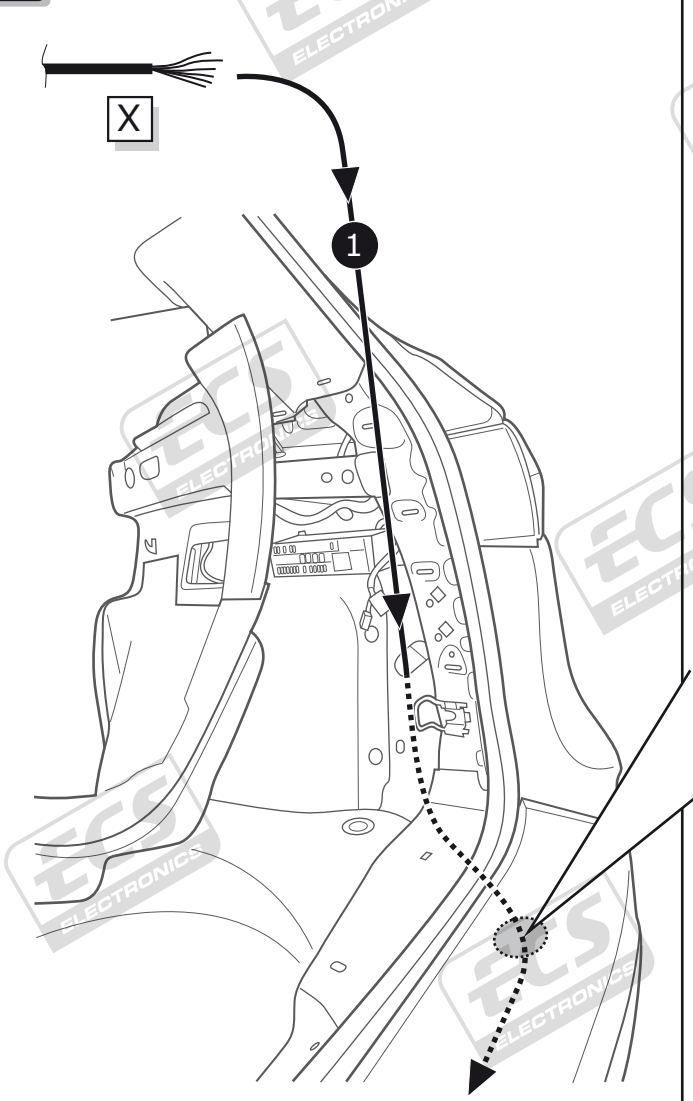
2

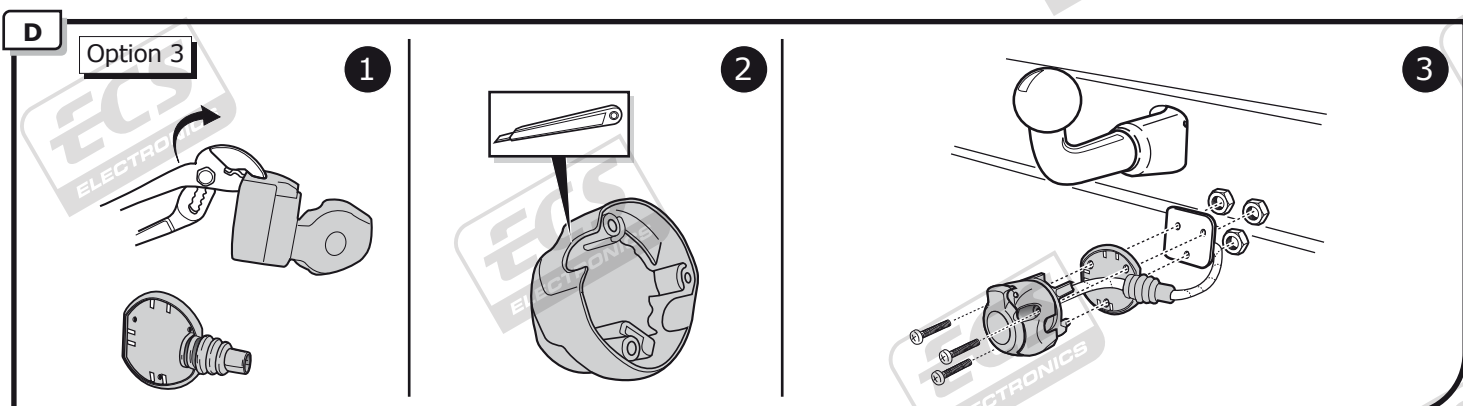
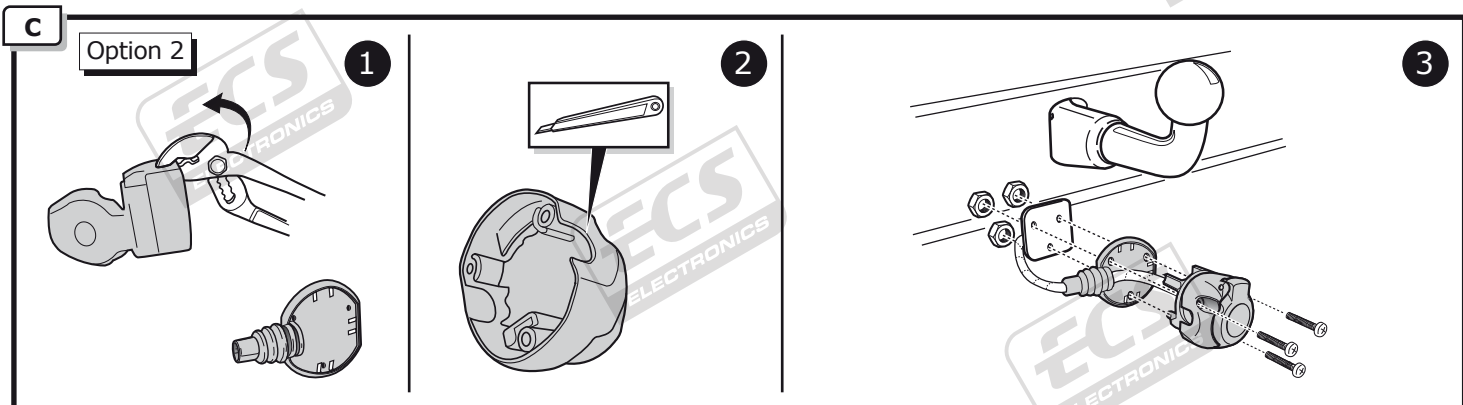
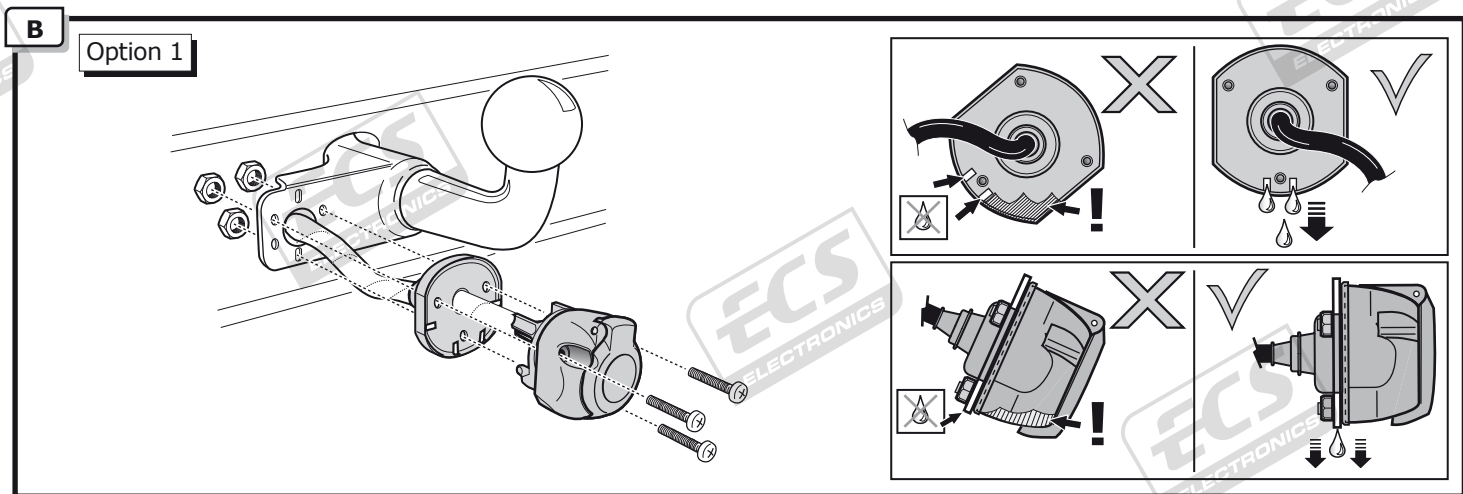
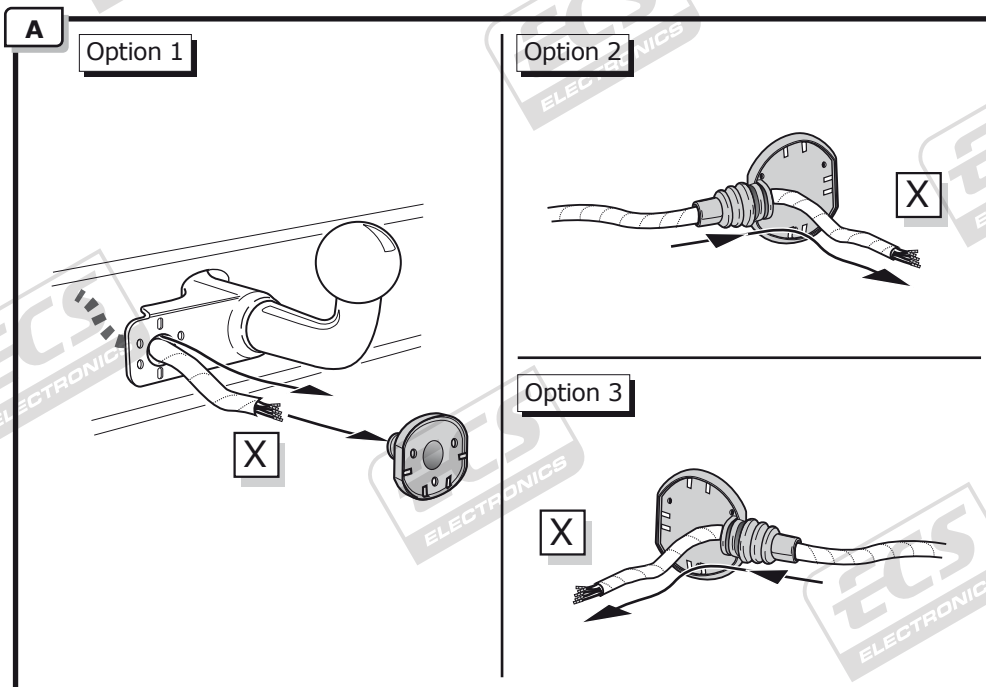


3

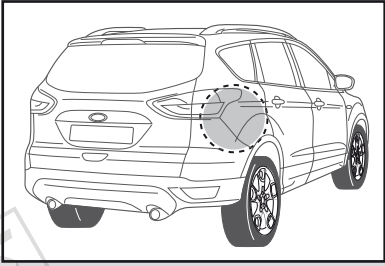


4

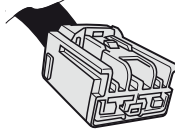




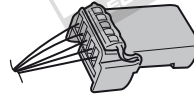
5



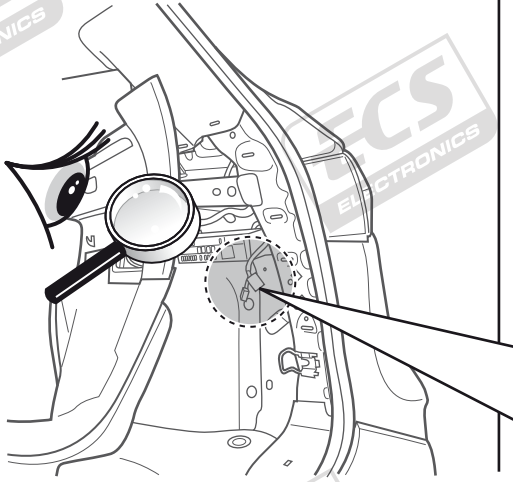
Option 1



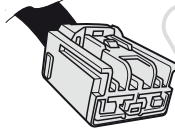
2pole Grey



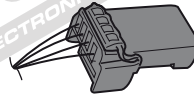
5pole Green



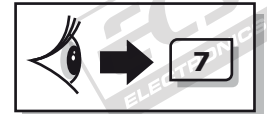
Option 2



2pole Grey

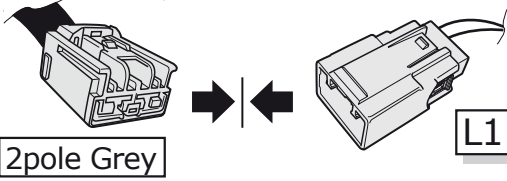


4pole Black

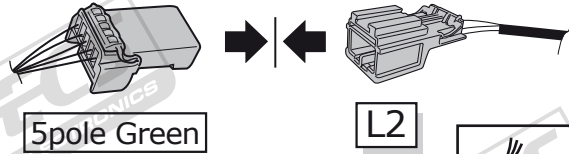


6

Option 1



1



5pole Green

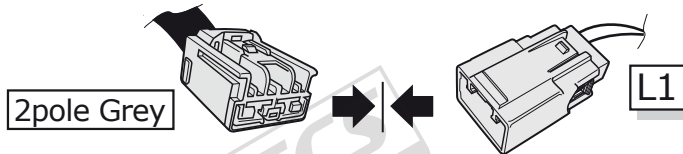
L2

2



7

Option 2



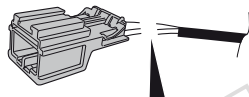
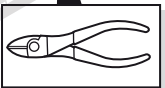
2pole Grey

L1

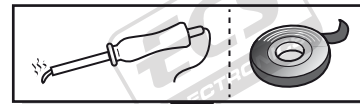
1

4pole Black

L2

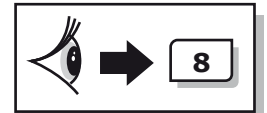


2

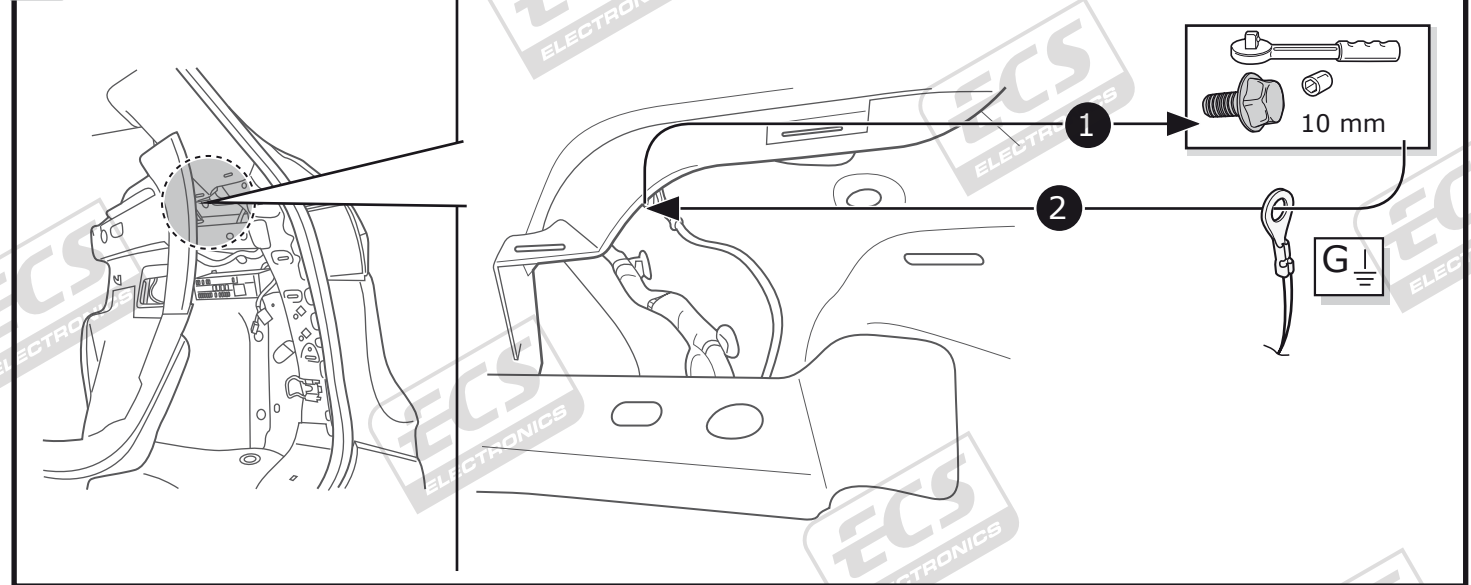


Brown	→	Grey/Orange
Green	→	Purple/Orange
Blue/Red	→	Black/Blue

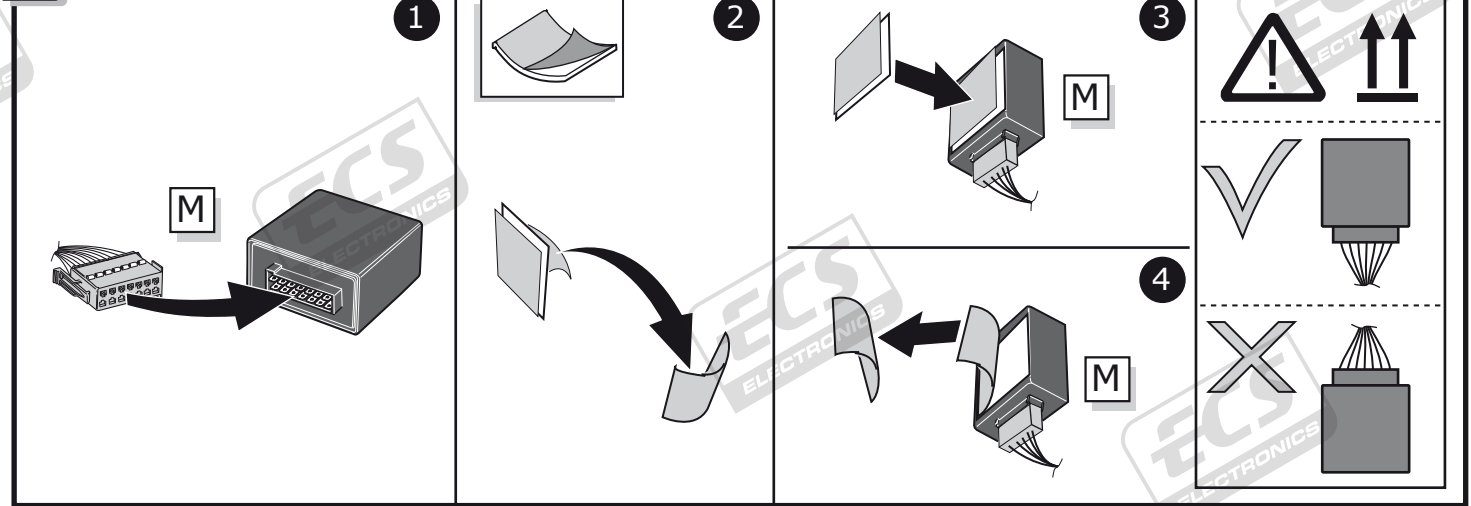
3



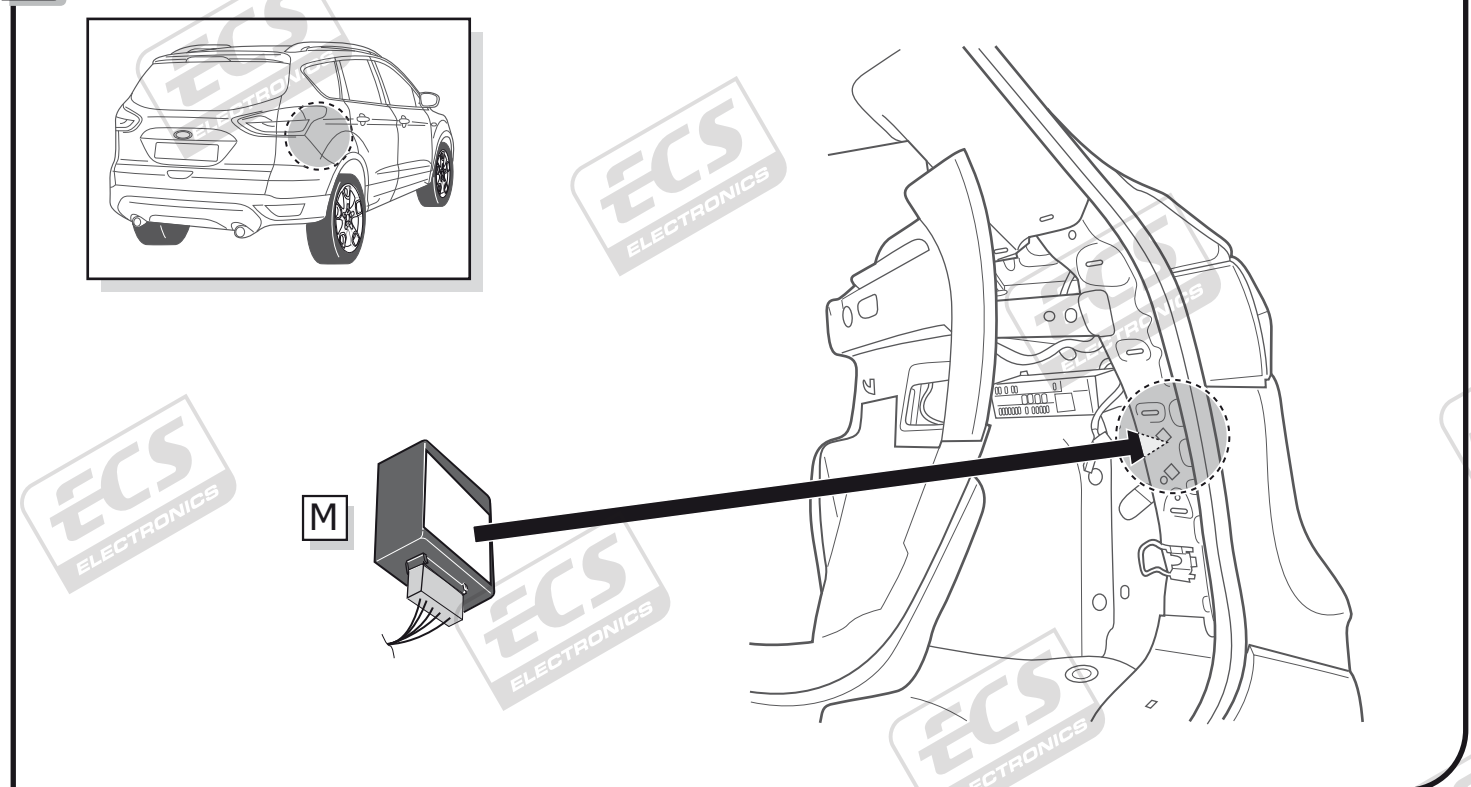
8



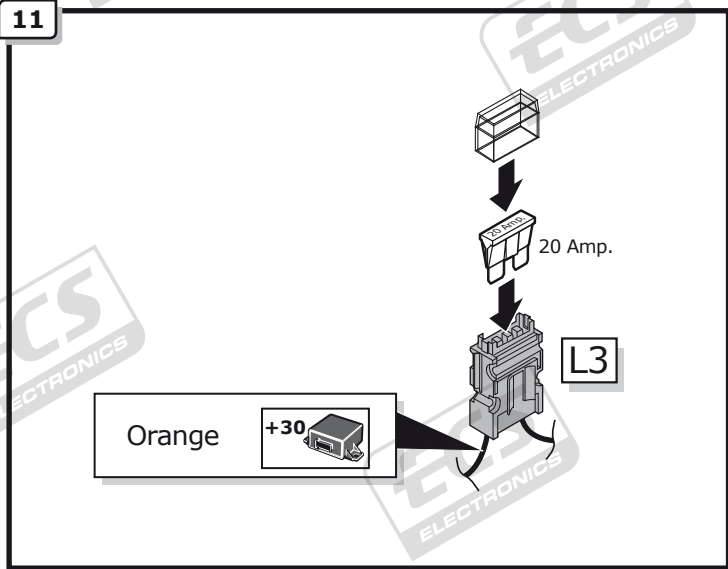
9



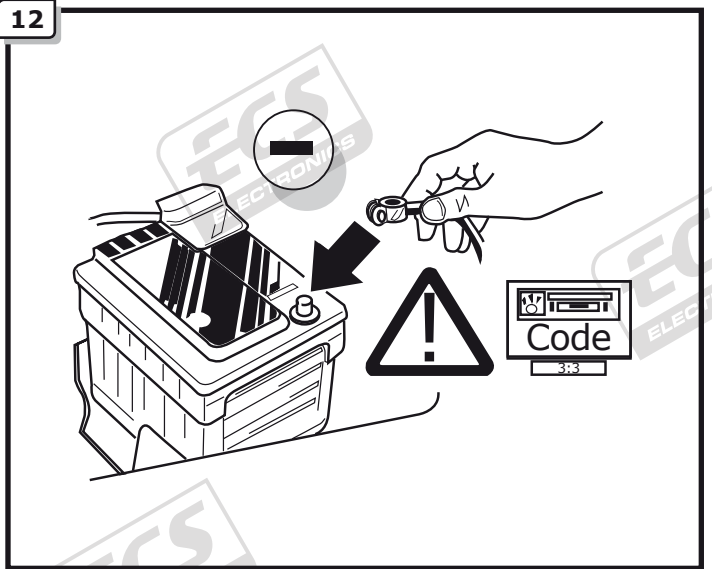
10



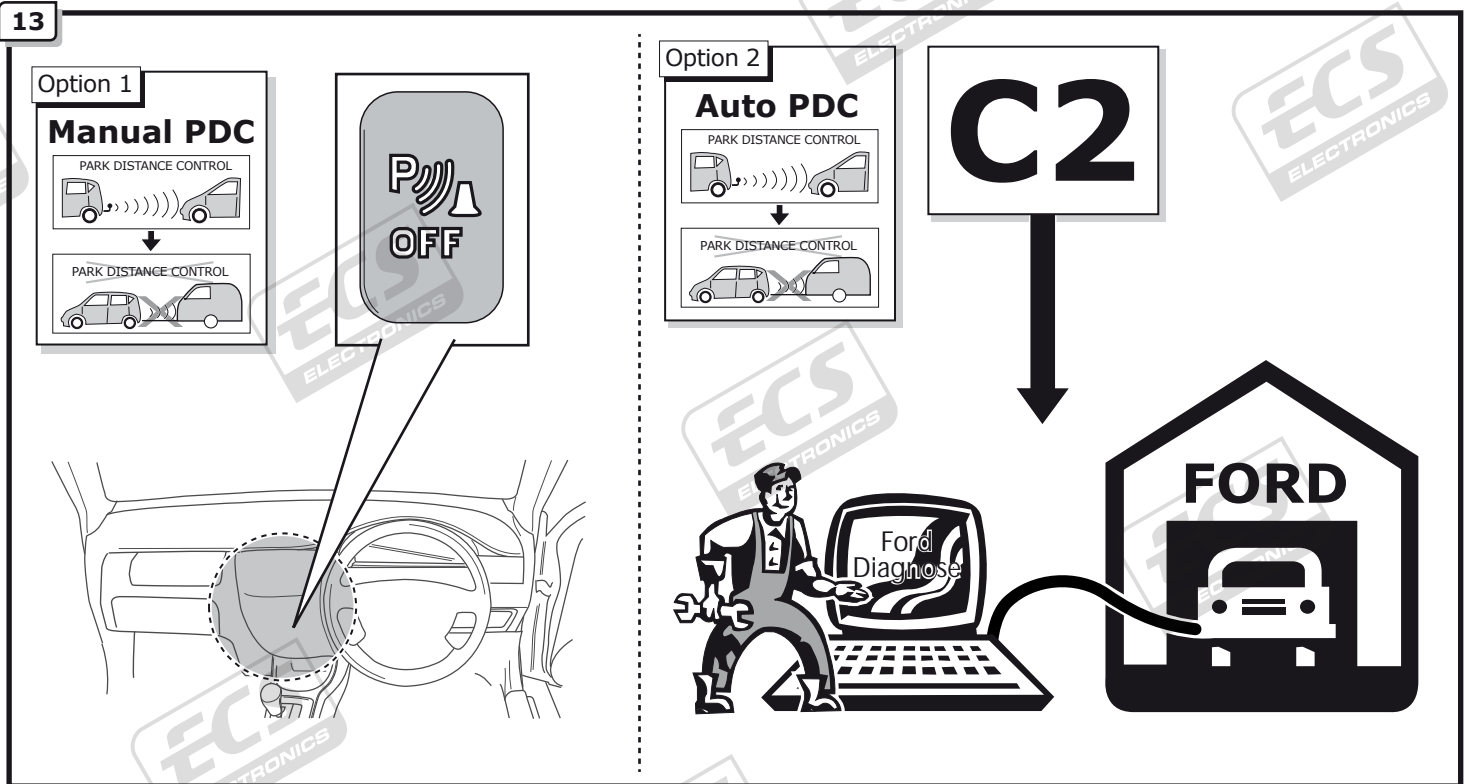
11



12



13



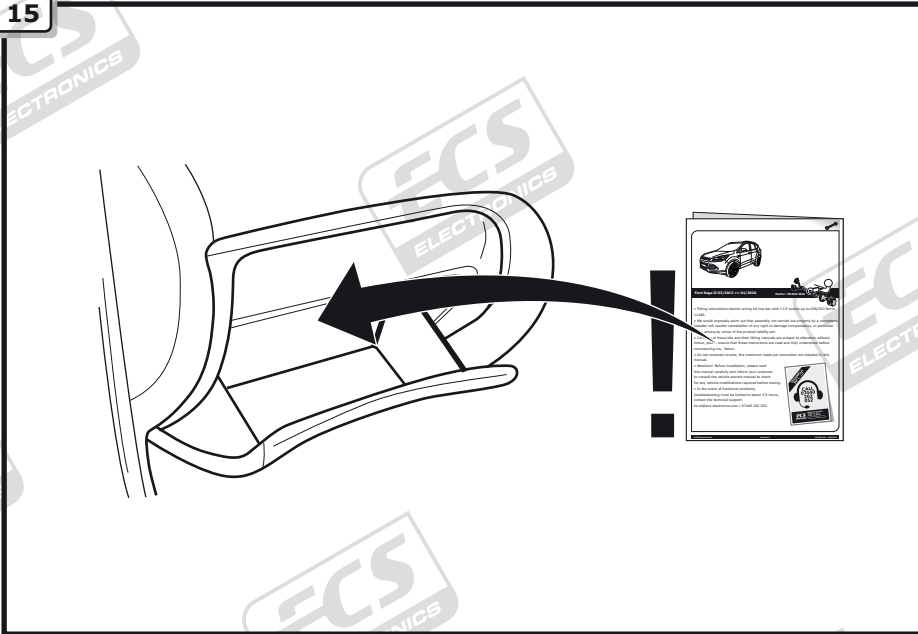
14

! TEST ALL THE CIRCUITS WITH A TEST DEVICE WITH THE CORRECT POWER LOAD FOR EACH FUNCTION. A TEST DEVICE WITH LED'S CANNOT BE USED FOR THIS PURPOSE.

INFO

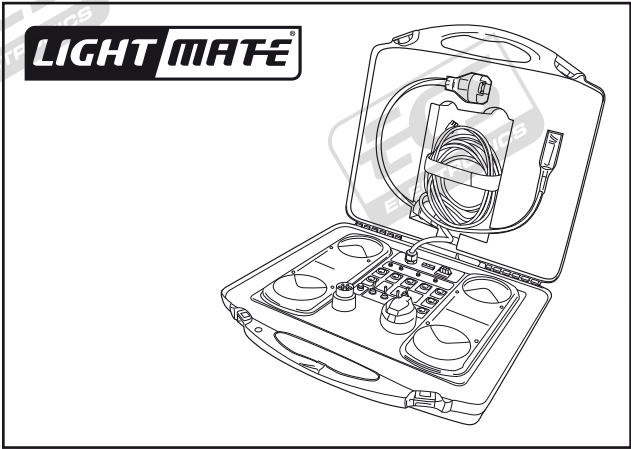
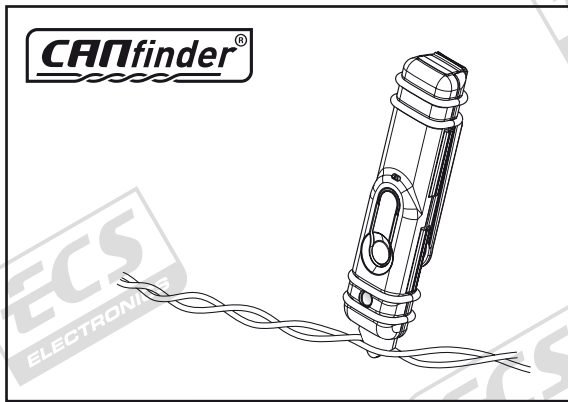
REINSTALL TRIM.

15



INFO

Products & Service



http://www.ecs-electronics.nl/NL/catalogus/test_gereedschap

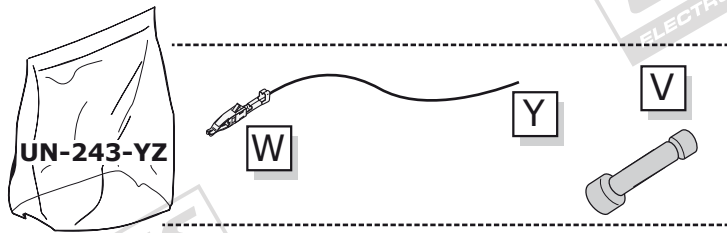
INFO

SOCKET CONNECTION

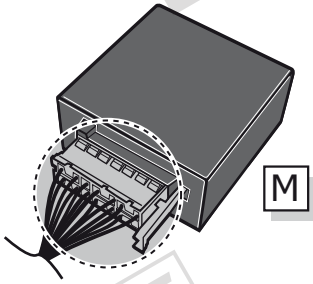
DIN/ISO 1724	←	🚗	⚡ 1-7	→	☀️	STOP	☀️
	1/L	2	3/31	4/R	5/58-R	6/54	7/58-L
Pmax	21W	21W		21W	42W	3x21W	42W
Colour	Yellow	Blue	White	Green	Brown	Red	Black

UN-243-YZ Reverse lamp pre-wire extension

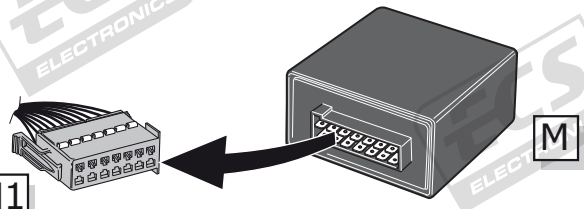
⚠ MAX = 21W



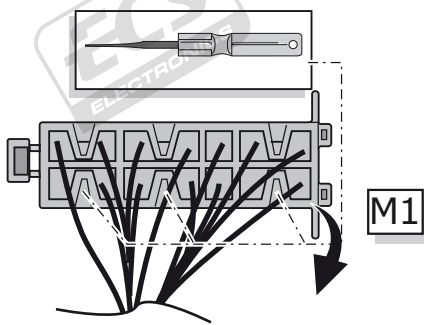
A



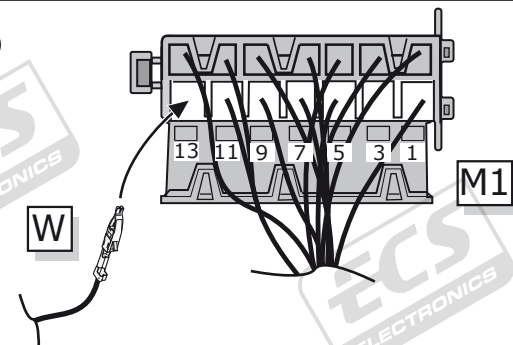
1



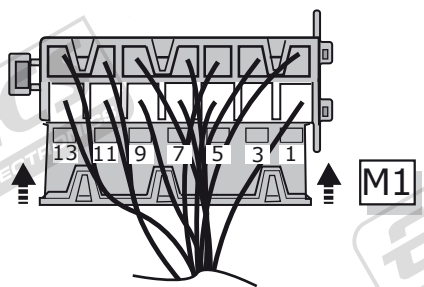
2



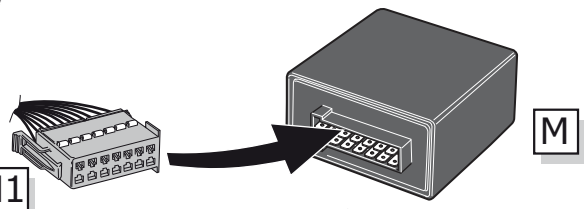
3



4



5



B

⚠ MAX = 21W

