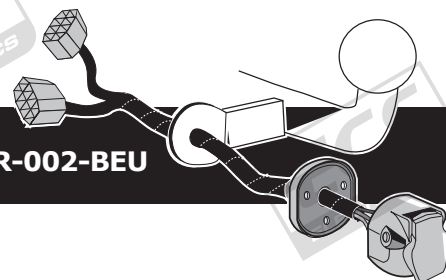


FORD FOCUS Hatchback 3 Door 1998/Feb 2001
FORD FOCUS Hatchback 5 Door 1998/Early 2005
FORD FOCUS Saloon 1999/Early 2005
FORD FOCUS Estate 1999/Early 2005

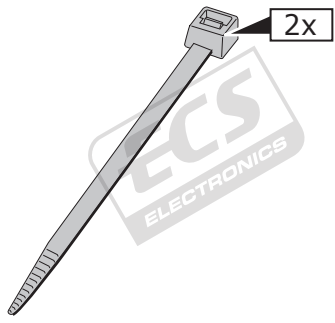
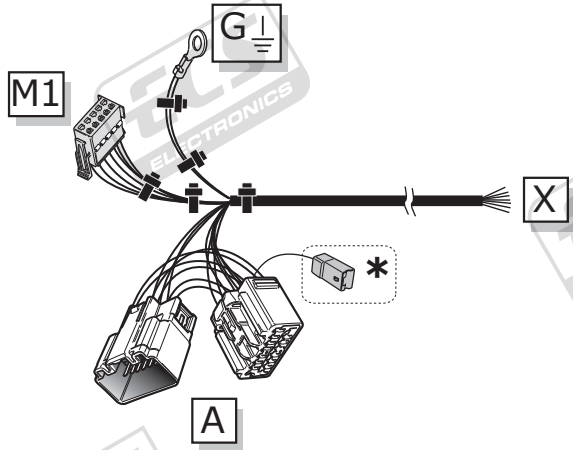
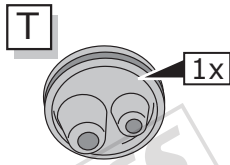
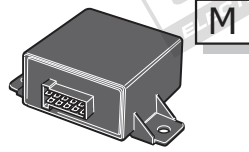
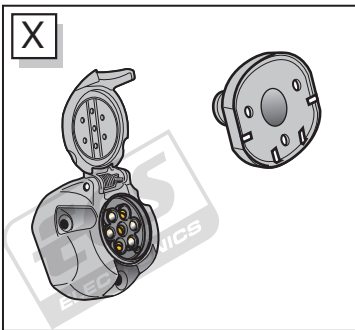
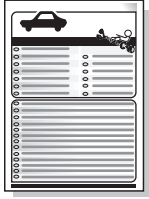
Partnr.: FR-002-BEU



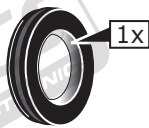
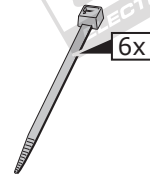
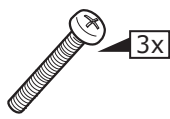
- Fitting instructions electric wiring kit tow bar with 12-N socket up to DIN/ISO Norm 1724.
- We would expressly point out that assembly not carried out properly by a competent installer will result in cancellation of any right to damage compensation, in particular those arising by virtue of the product liability act.
- Contents of these kits and their fitting manuals are subject to alteration without notice, please ensure that these instructions are read and fully understood before commencing installation.
- Do not overload circuits; the maximum loads per connection are detailed in this manual.
- Attention! Before Installation, please read this manual carefully and inform your customer to consult the vehicle owners manual to check for any vehicle modifications required before towing.
- In the event of functional problems, troubleshooting must be limited to about 0.5 hours, contact the technical support:
t.skinner@ecs-electronics.com / 07440 202 052.



Part list

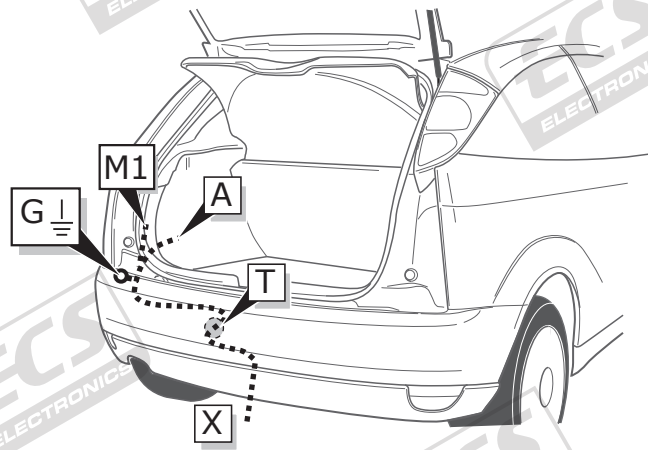


* Reverse signal preparation
 → **Pag. 10**

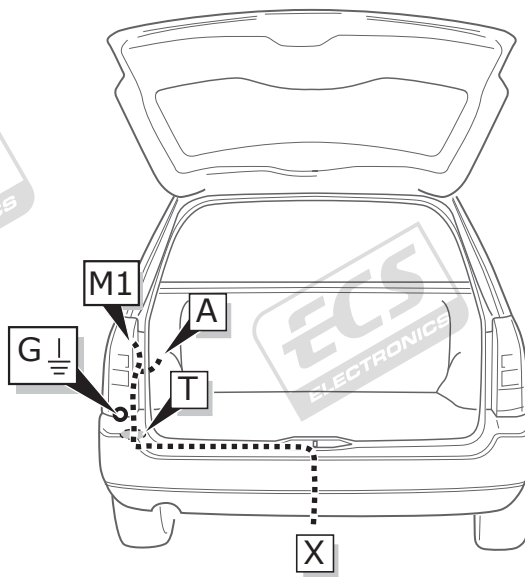


ROUTING

HATCHBACK 3/5 D SALOON

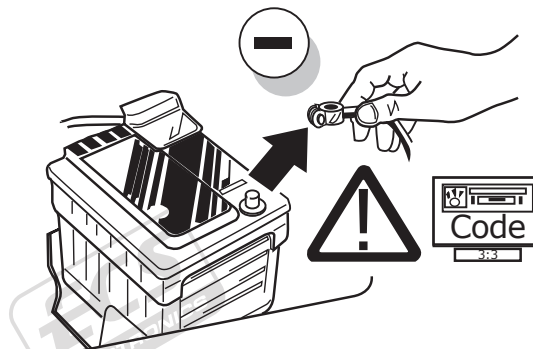


ESTATE



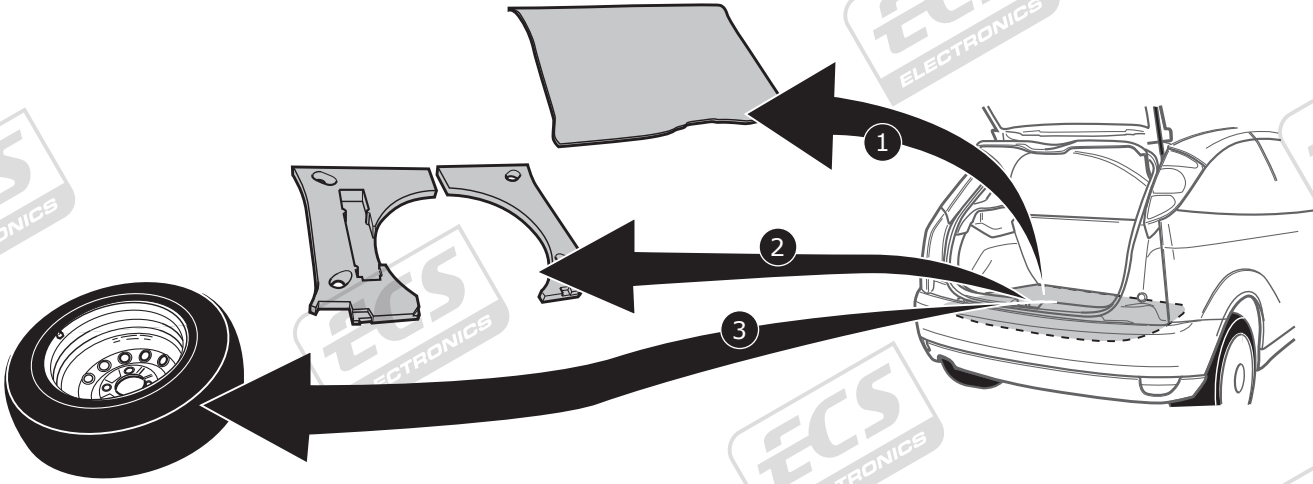
All models

1

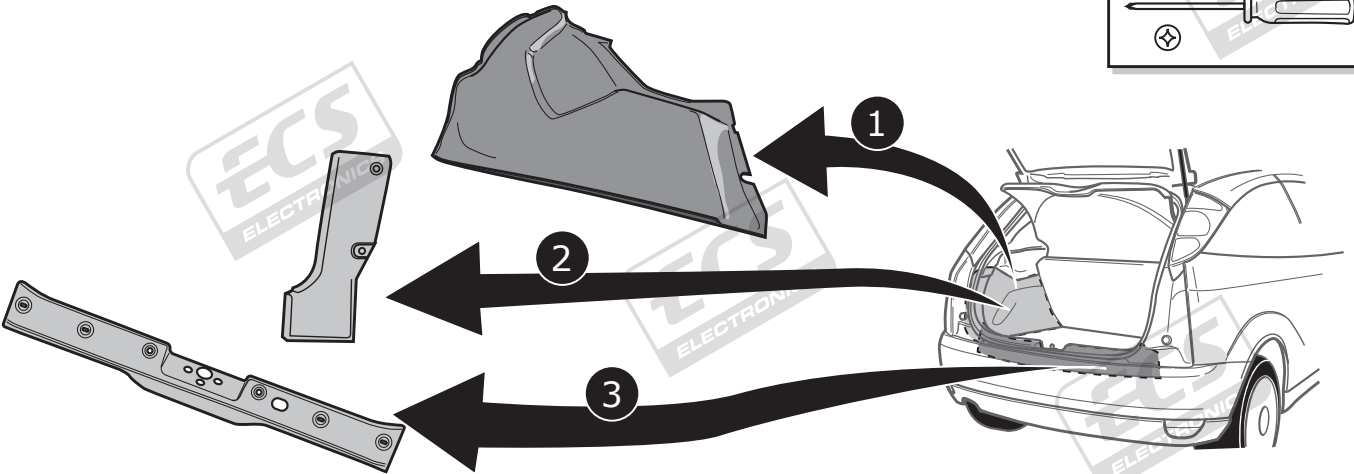


Hatchback 3-5Drs / Saloon

2

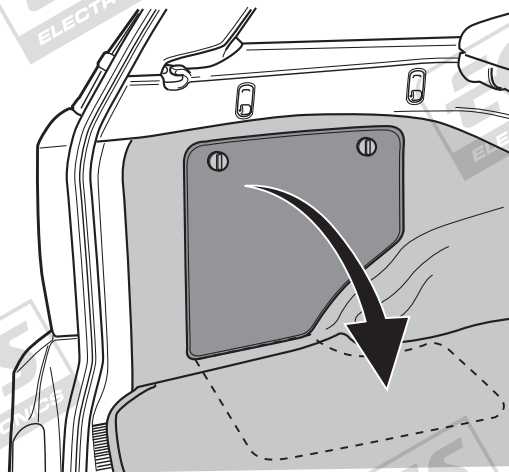
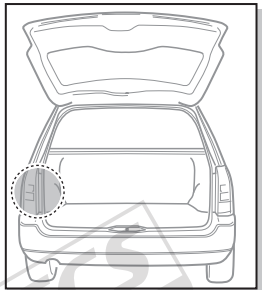


3



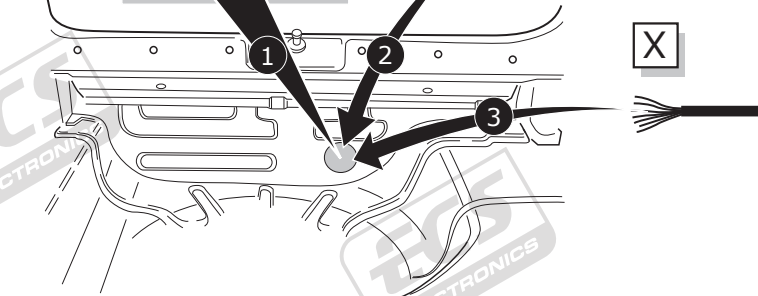
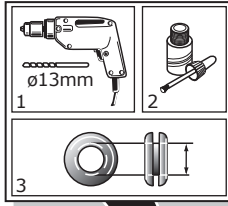
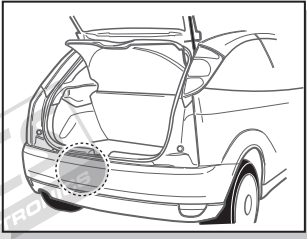
Estate

4



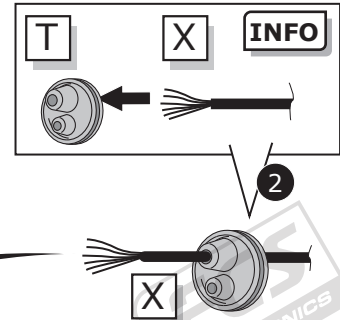
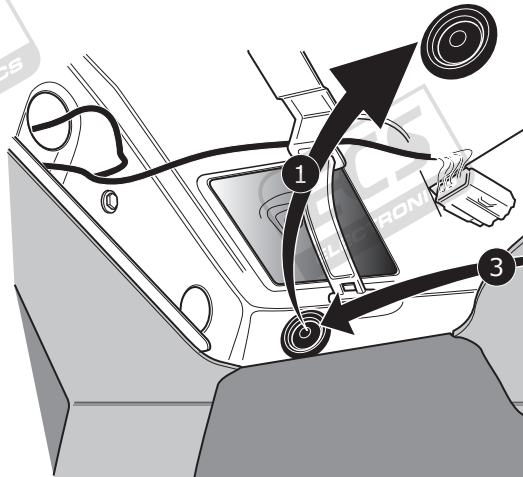
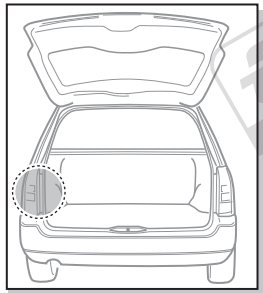
Hatchback 3-5Drs / Saloon

5



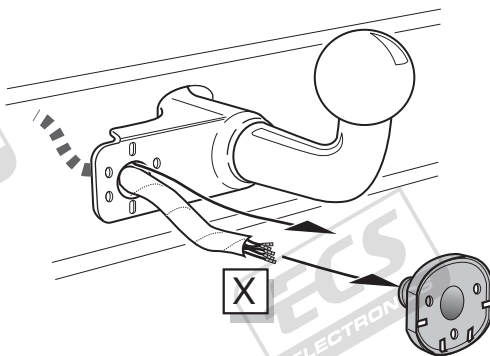
Estate

6



All models

A



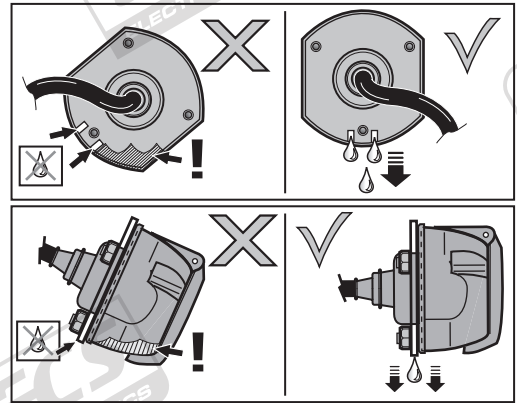
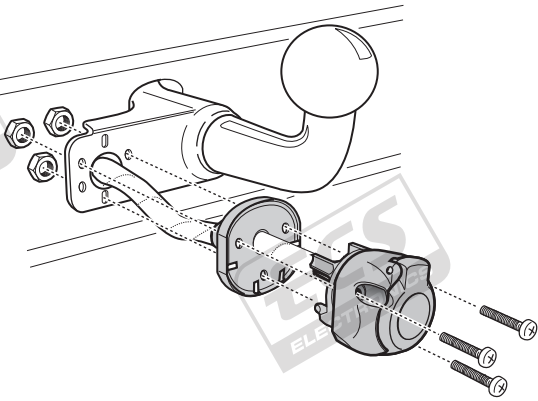
INFO

SOCKET CONNECTION

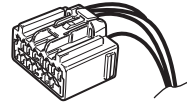
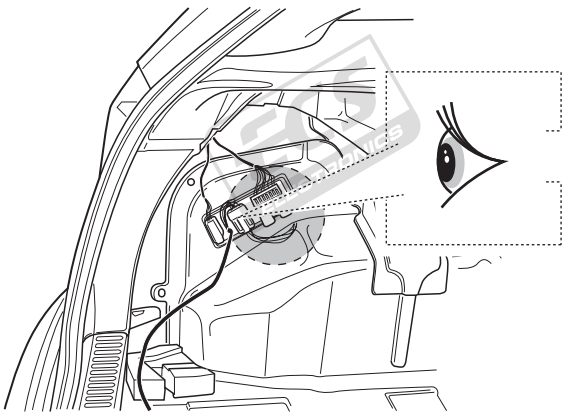


Pag. 9

B



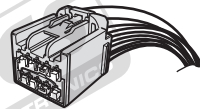
7



16-pole
blue



8

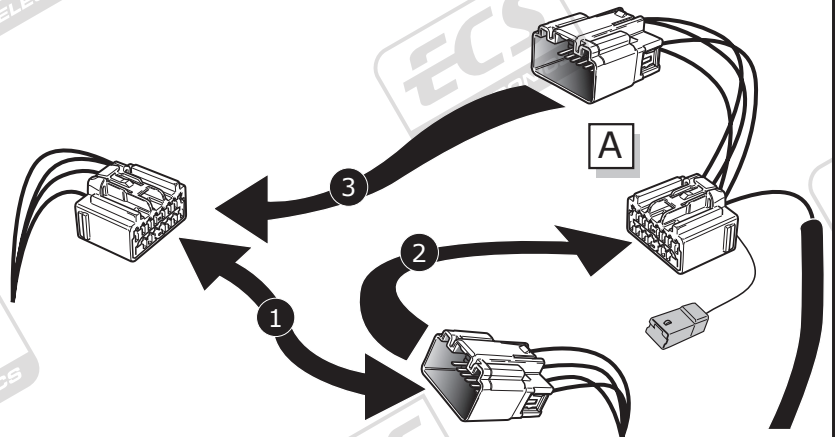
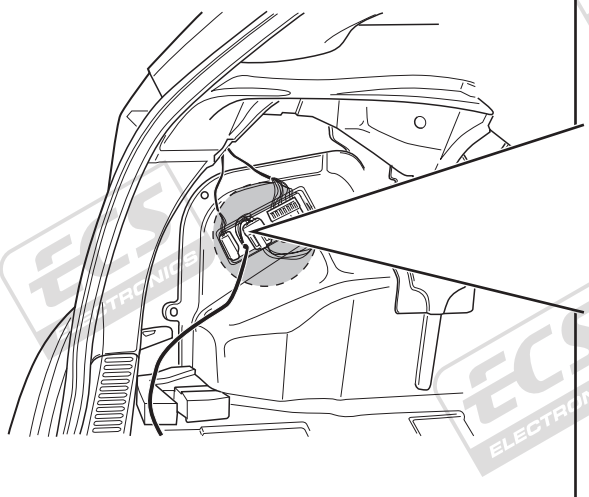


10-pole
grey



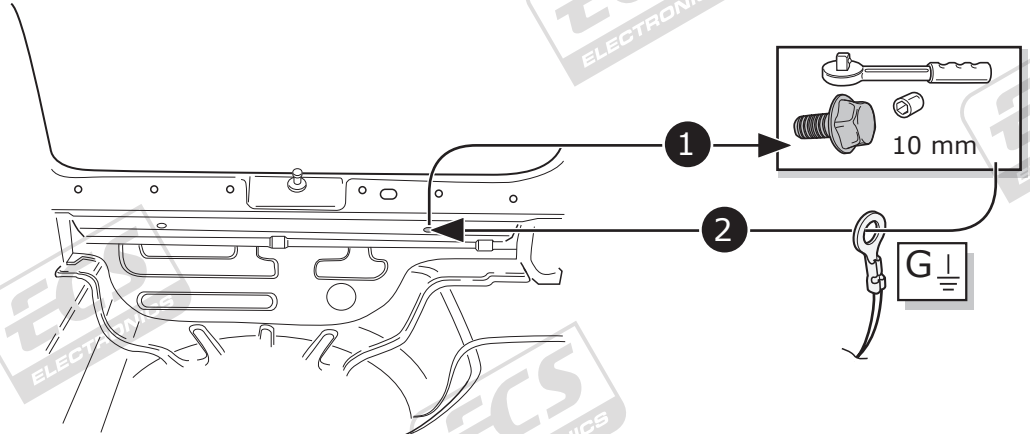
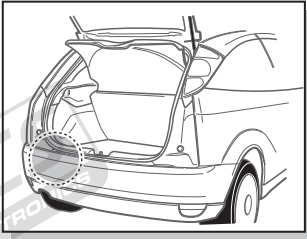
Order additional kit
FR-023-ZZ

8



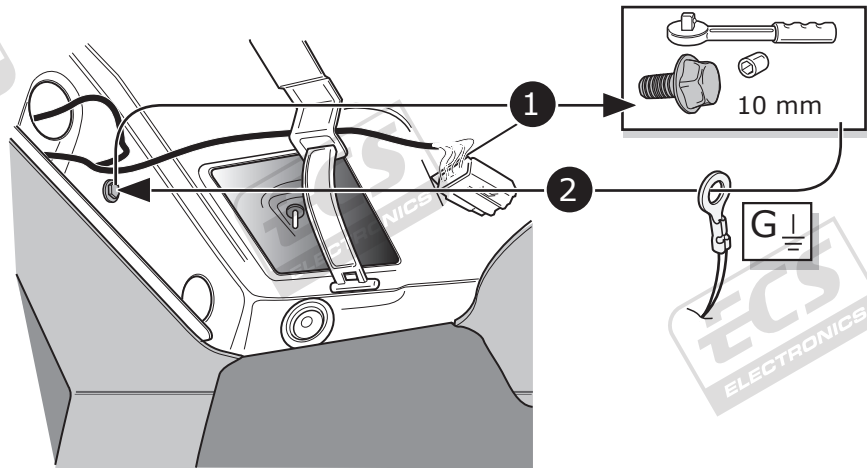
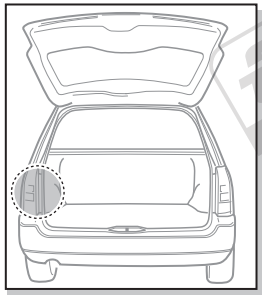
Hatchback 3-5 Drs / Saloon

9



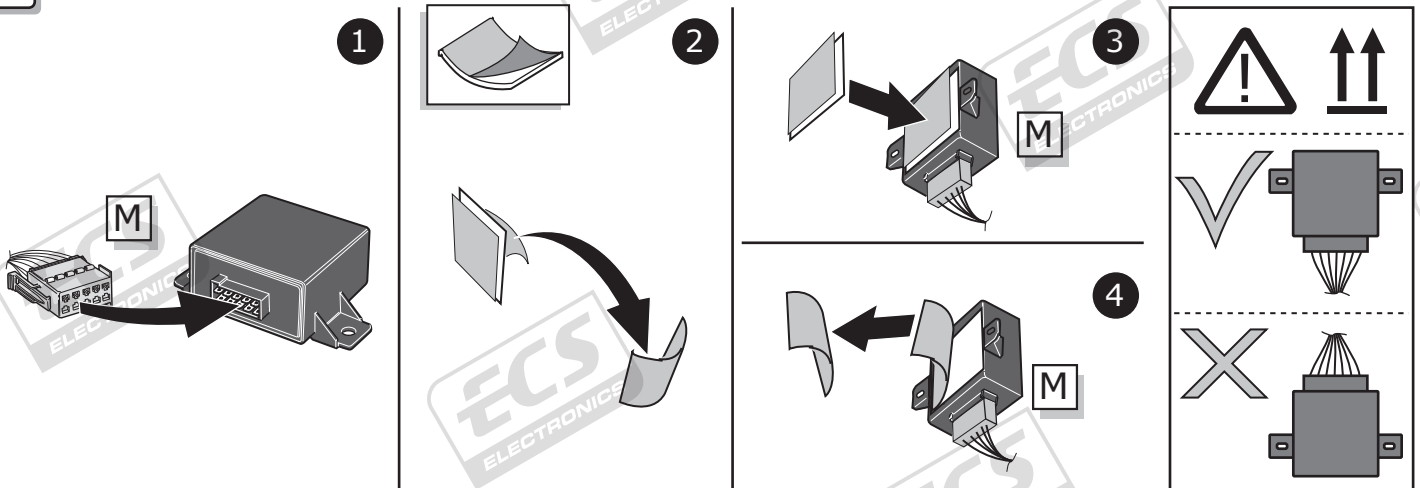
Estate

10

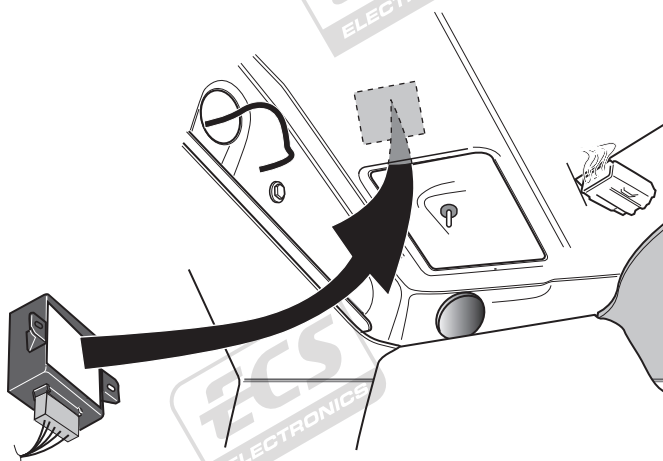
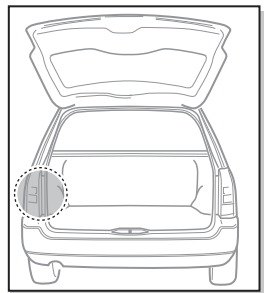
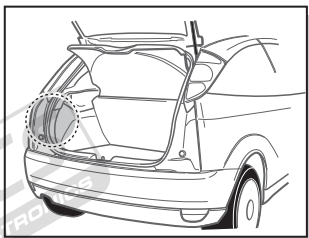


All models

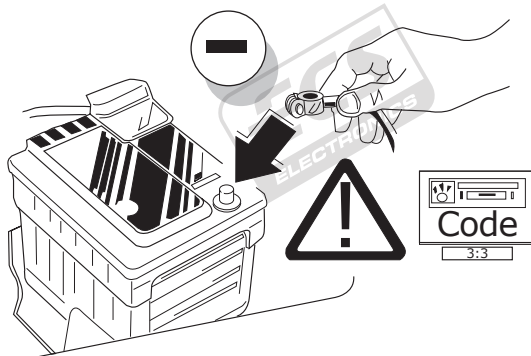
11



12



13



14



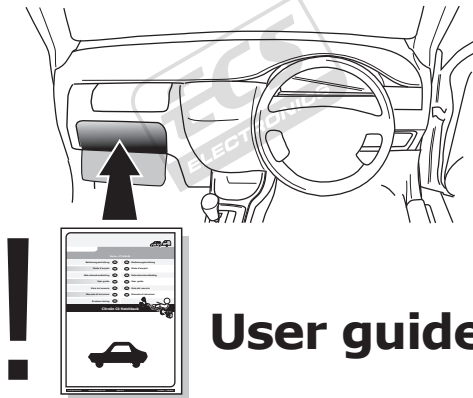
TEST ALL THE CIRCUITS WITH A TEST DEVICE WITH THE CORRECT POWER LOAD FOR EACH FUNCTION. A TEST DEVICE WITH LED'S CANNOT BE USED FOR THIS PURPOSE.

All models

INFO

REINSTALL TRIM.

15



User guide



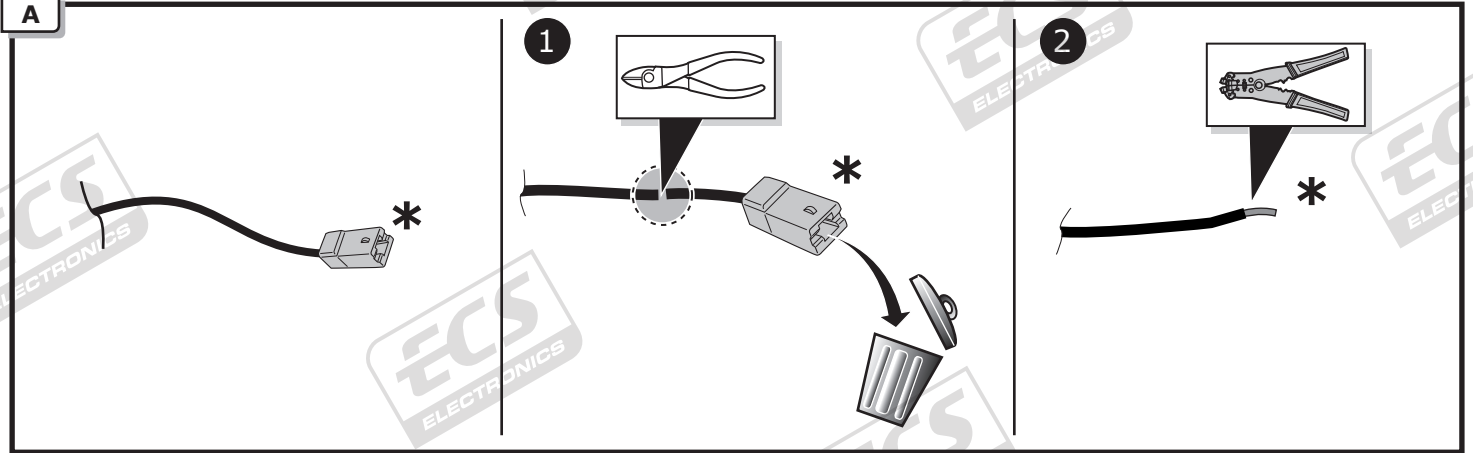
INFO

SOCKET CONNECTION

DIN/ISO 1724								
	1/L	2	3/31	4/R	5/58-R	6/54	7/58-L	8
Pmax	21W	2x21W		21W	52W	3x21W	52W	
Colour	Yellow	Blue	White	Green	Brown	Red	Black	Grey

Reverse signal preparation

A



B

