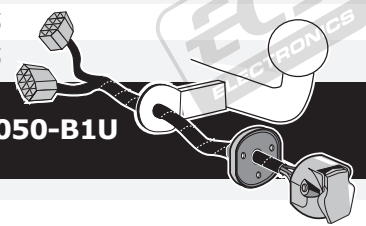




Citroën	<b>C2</b>		11/2005 >>
Citroën	<b>C3</b>		11/2005 >>
Citroën	<b>C3</b>	<i>Pluriel</i>	11/2005 >>
Citroën	<b>C3</b>	<i>Picasso</i>	2009 >>
Citroën	<b>C3</b>	<i>III (A51)</i>	2010 >>
Citroën	<b>DS3</b>		12/2009 >> 06/2018
Citroën	<b>DS3</b>	<i>Cabriolet</i>	03/2013 >> 06/2018
Citroën	<b>C4</b>	<i>Picasso</i>	03/2011 >> DAM 12531
Citroën	<b>C4</b>	<i>Grand Picasso</i>	03/2011 >> DAM 12531
Peugeot	<b>207</b>		2006 >>
Peugeot	<b>207</b>	<i>CC</i>	2007 >>
Peugeot	<b>207</b>	<i>SW</i>	2007 >>
Peugeot	<b>308</b>	<i>SW</i>	11/2008 >>
Peugeot	<b>308</b>		11/2008 >>
Peugeot	<b>308</b>	<i>CC</i>	2009 >>
Peugeot	<b>3008</b>		12/2009 >>
Peugeot	<b>5008</b>		10/2010 >>
Citroën	<b>Berlingo</b>		11/2011 >> 05/2015
Peugeot	<b>Partner</b>		11/2011 >> 05/2015



Partnr.: CT-050-B1U

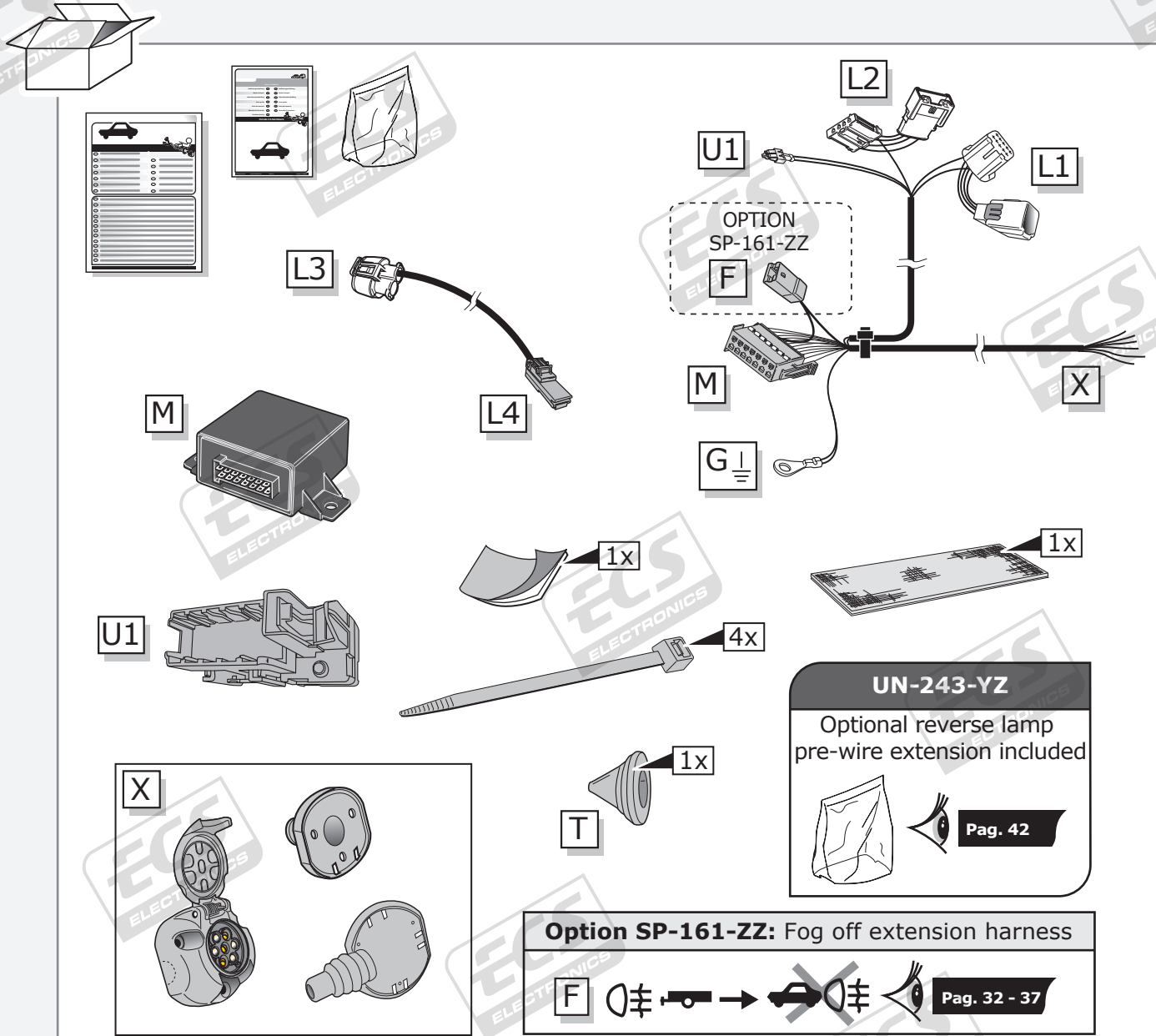
- Fitting instructions electric wiring kit tow bar with 12-N socket up to DIN/ISO Norm 1724.
- We would expressly point out that assembly not carried out properly by a competent installer will result in cancellation of any right to damage compensation, in particular those arising by virtue of the product liability act.
- Contents of these kits and their fitting manuals are subject to alteration without notice, please ensure that these instructions are read and fully understood before commencing installation.
- Do not overload circuits; the maximum loads per connection are detailed in this manual.
- Attention! Before Installation, please read this manual carefully and inform your customer to consult the vehicle owners manual to check for any vehicle modifications required before towing.
- In the event of functional problems, troubleshooting must be limited to about 0.5 hours, contact the technical support:  
t.skinner@ecs-electronics.com / 07440 202 052.



**TECHNICAL SUPPORT**



**CALL  
07440  
202  
052**

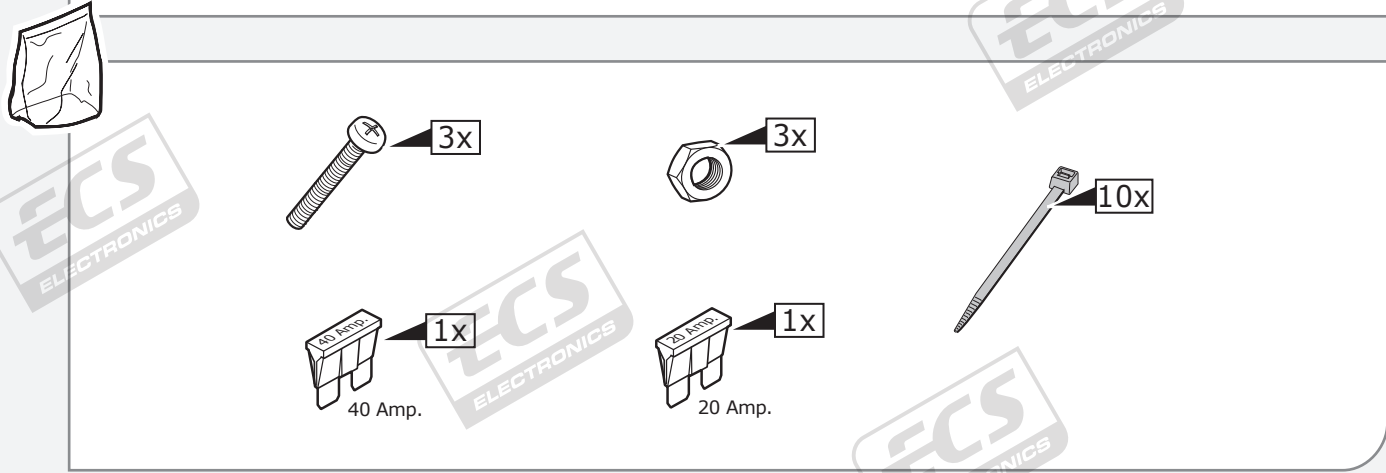
**MONDAY TO FRIDAY**  
08.00 - 11.00 am  
12.00 - 05.00 pm  
t.skinner@ecs-electronics.com  
www.ecs-electronicsuk.co.uk

# Part list

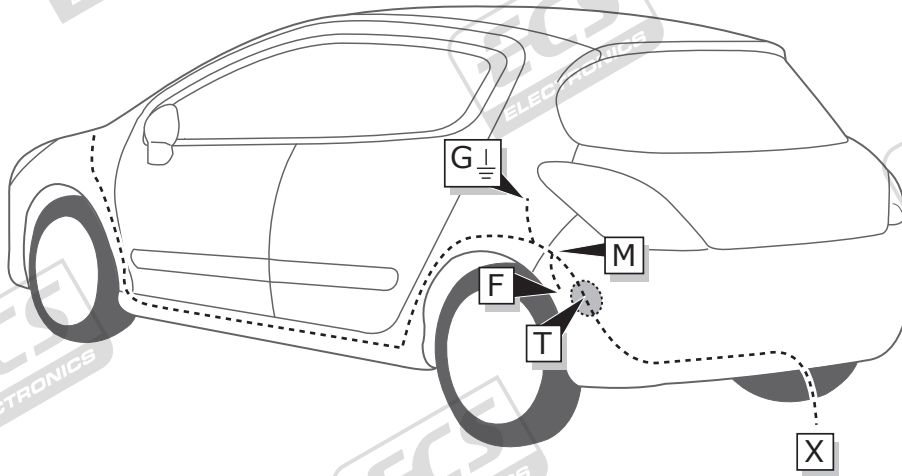
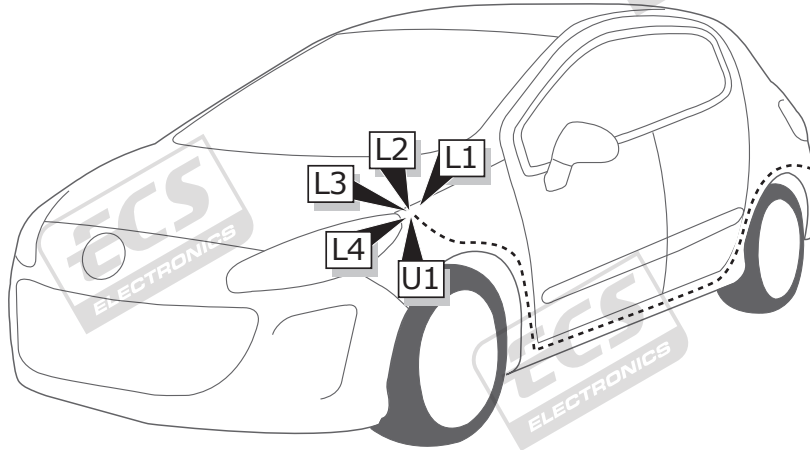


**UN-243-YZ**  
 Optional reverse lamp pre-wire extension included  
  **Pag. 42**

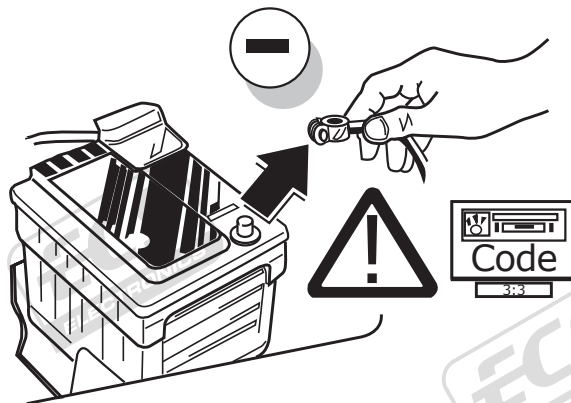
**Option SP-161-ZZ: Fog off extension harness**  
  **Pag. 32 - 37**



**ROUTING**

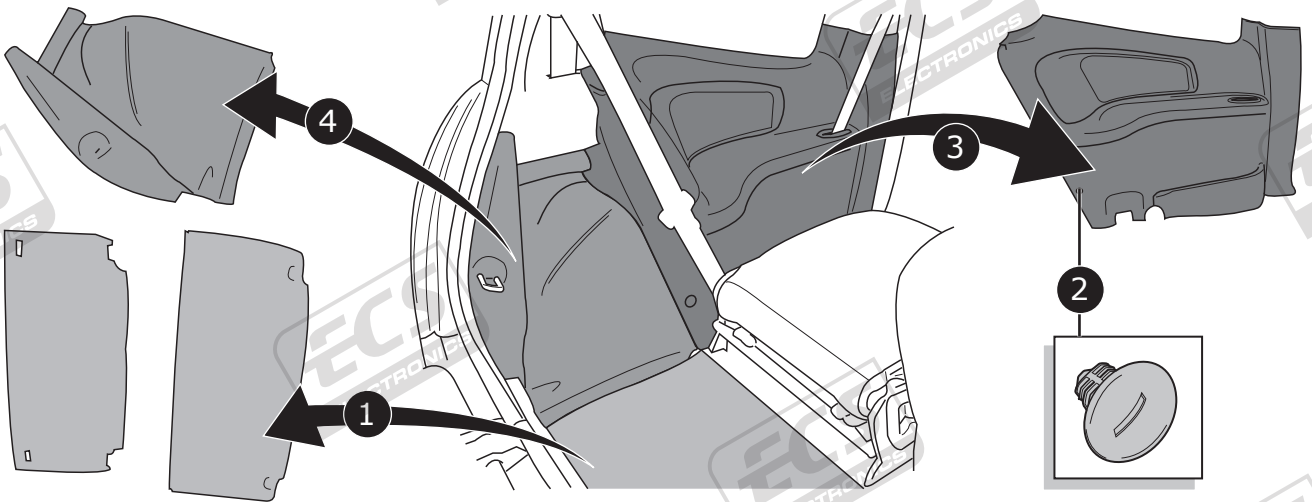


**1**

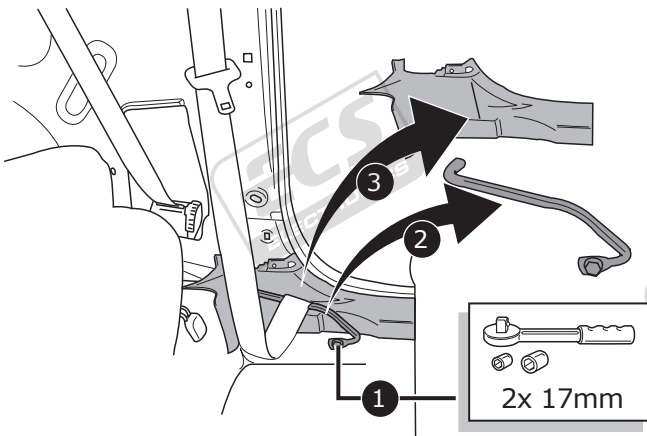


C2

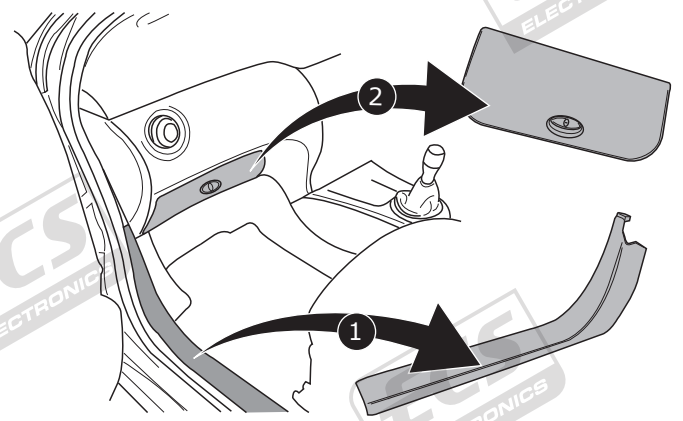
2



3

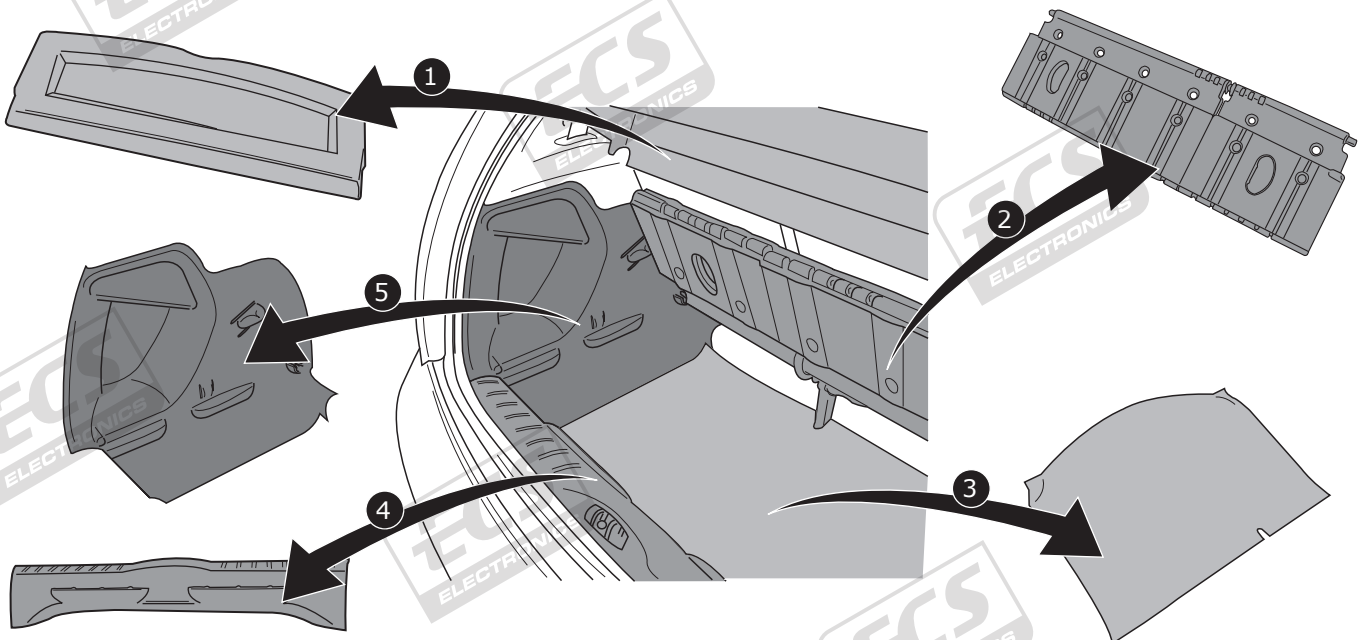


4

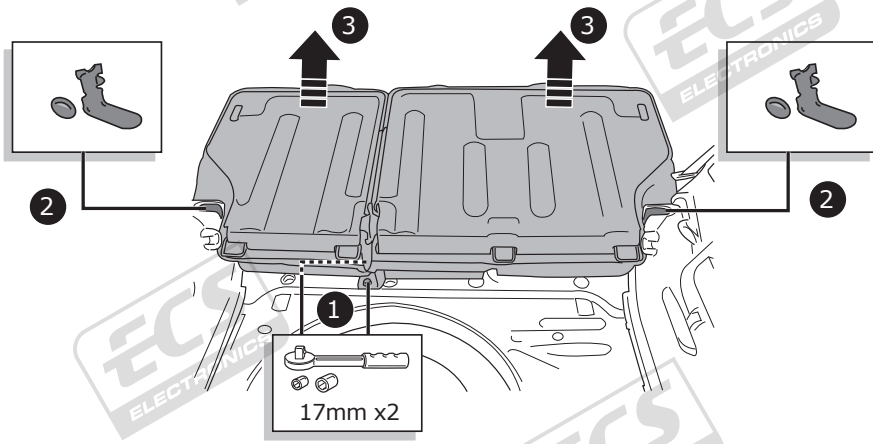


C3

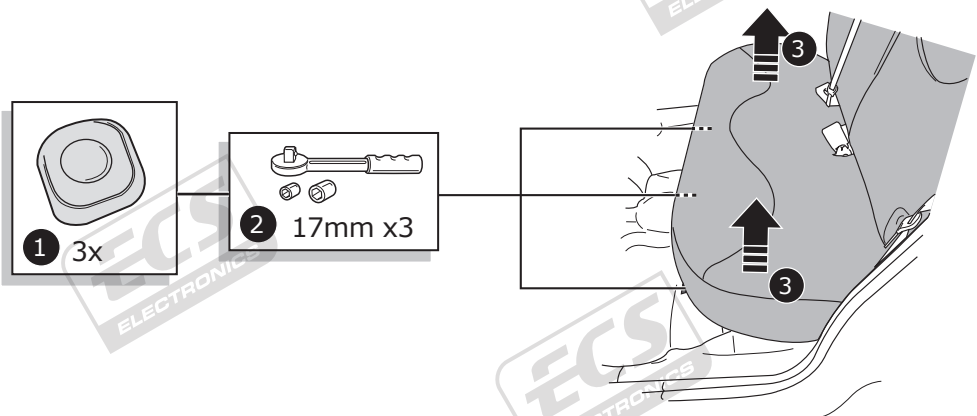
5



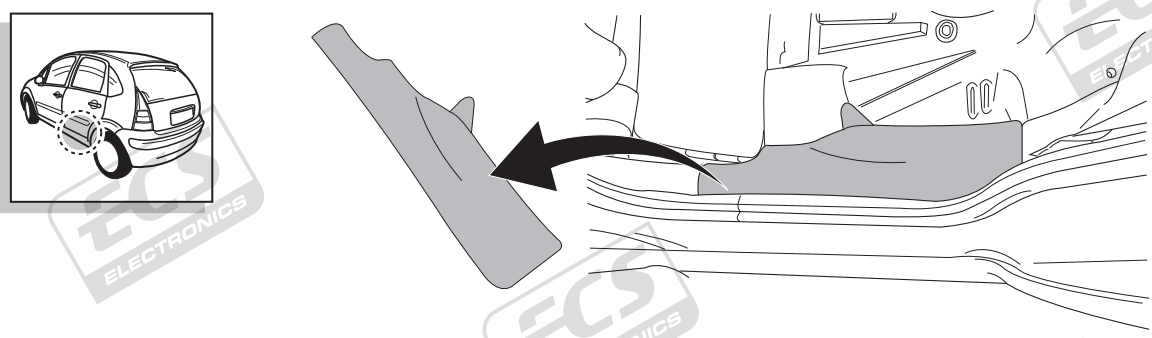
6



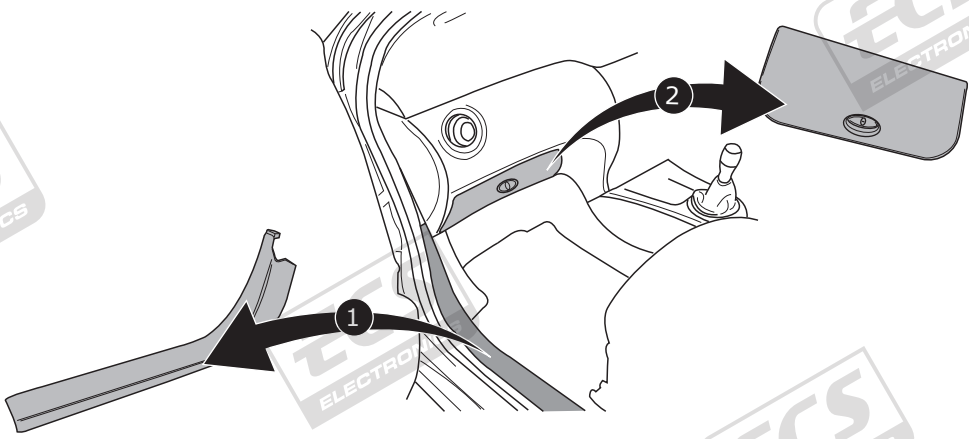
7



8

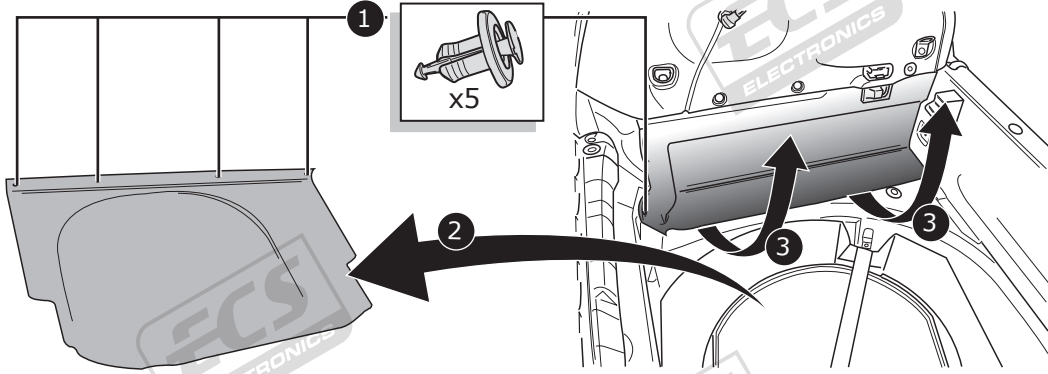


9

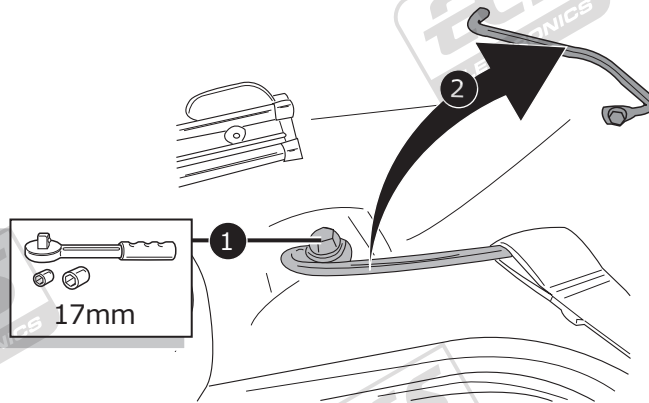
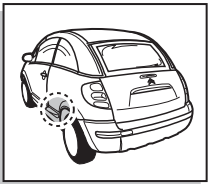


# C3 Pluriel

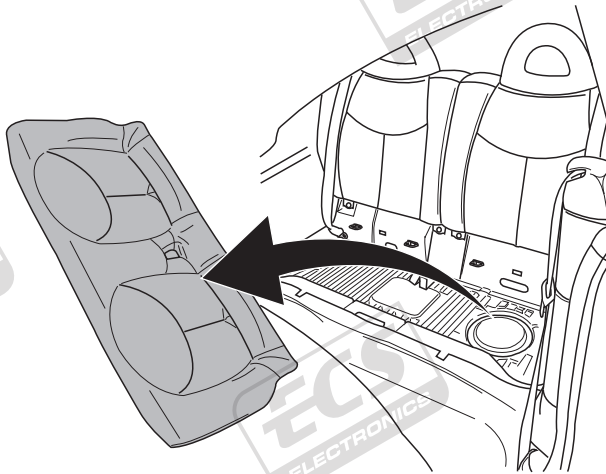
10



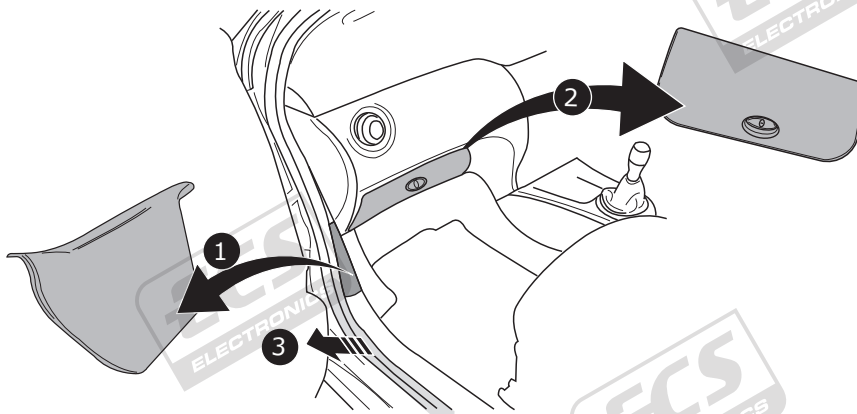
11



12

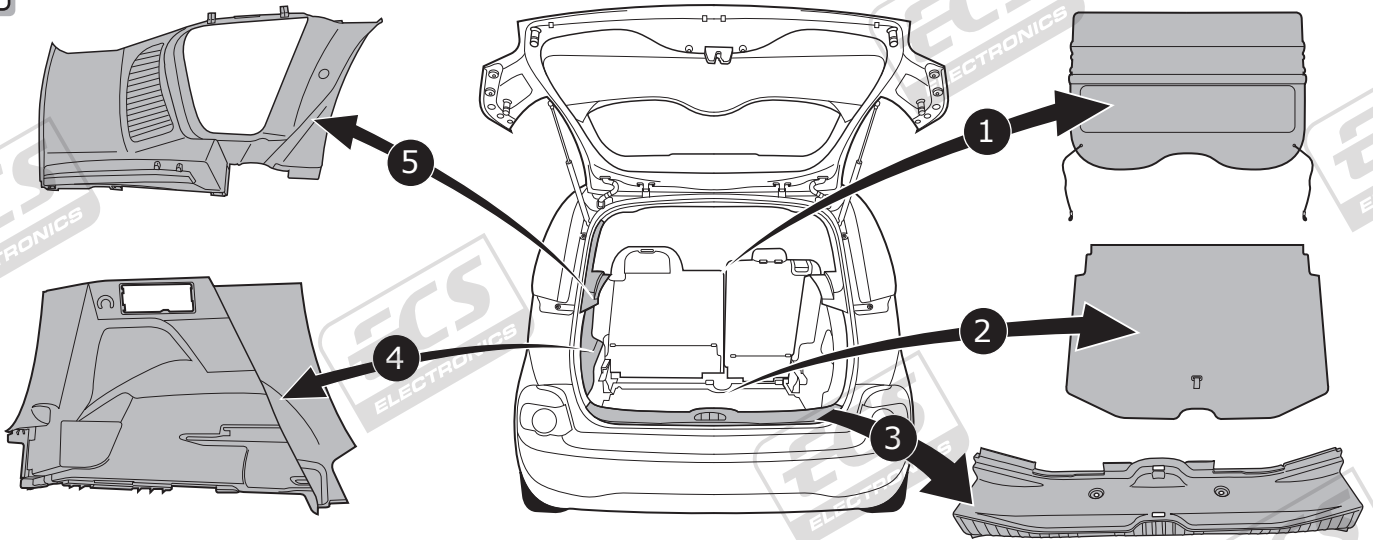


13



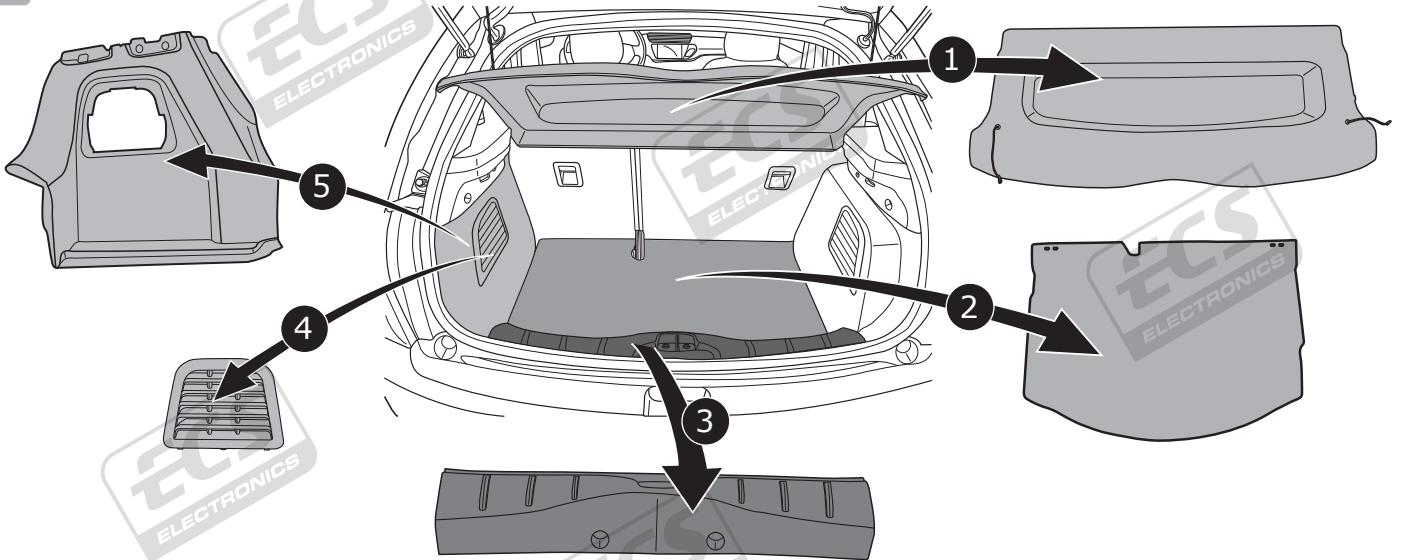
C3 Picasso

14



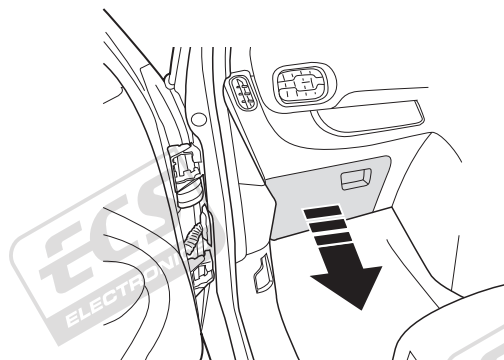
C3 III / DS3 / DS3 Cabriolet

15

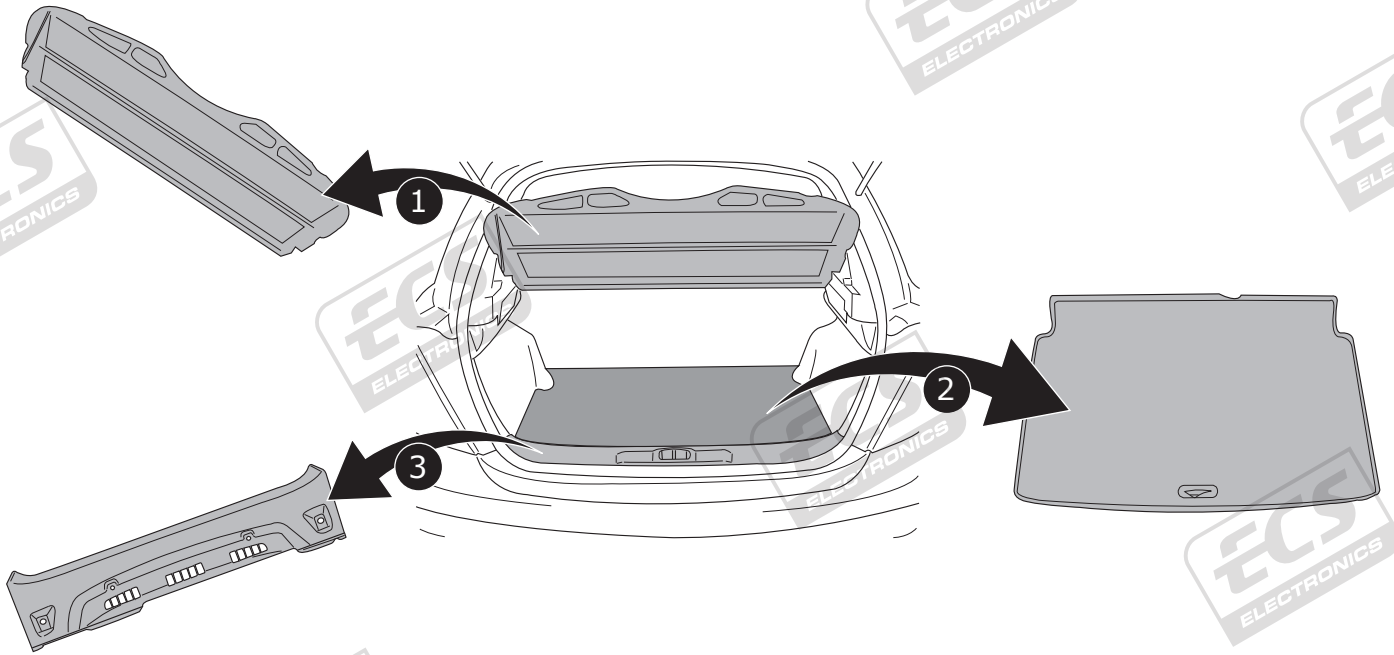


C3 Picasso / C3 III / DS3 / DS3 Cabriolet

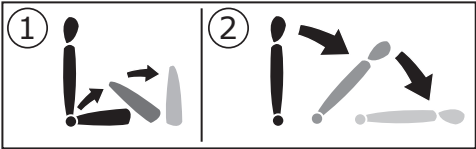
16



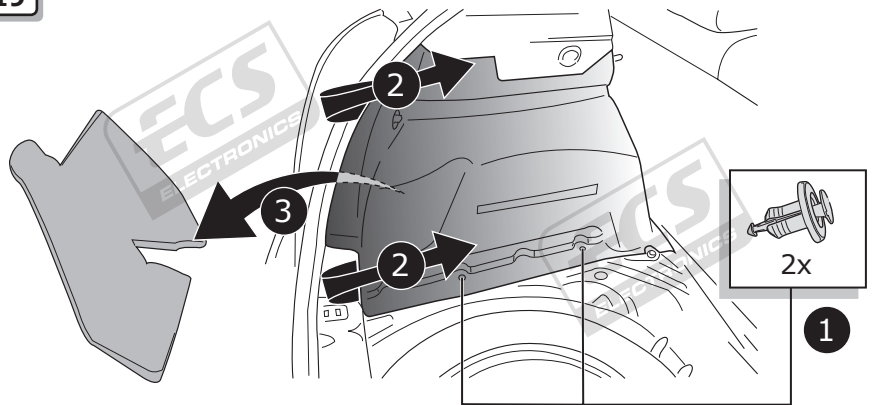
17



18

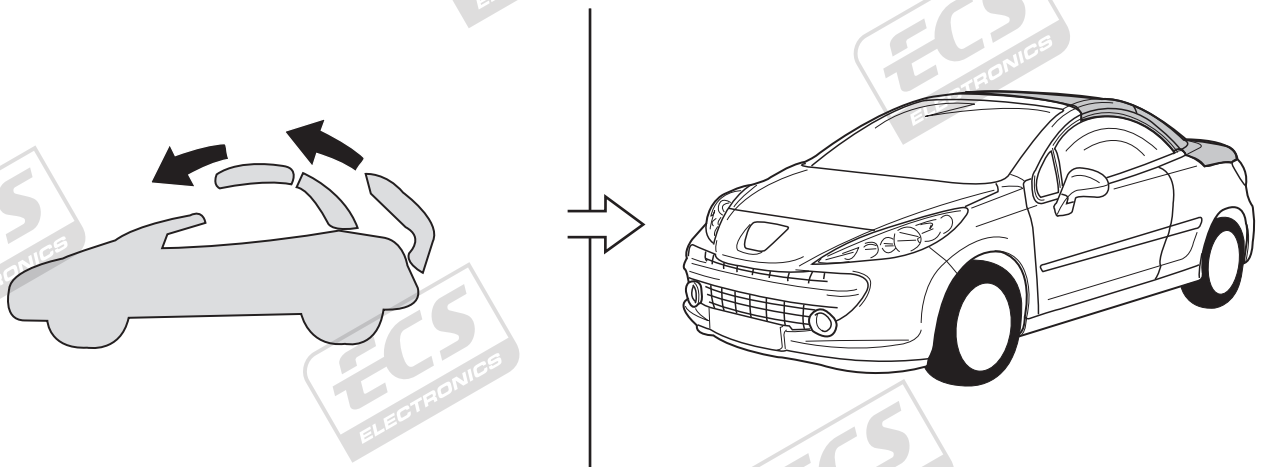


19



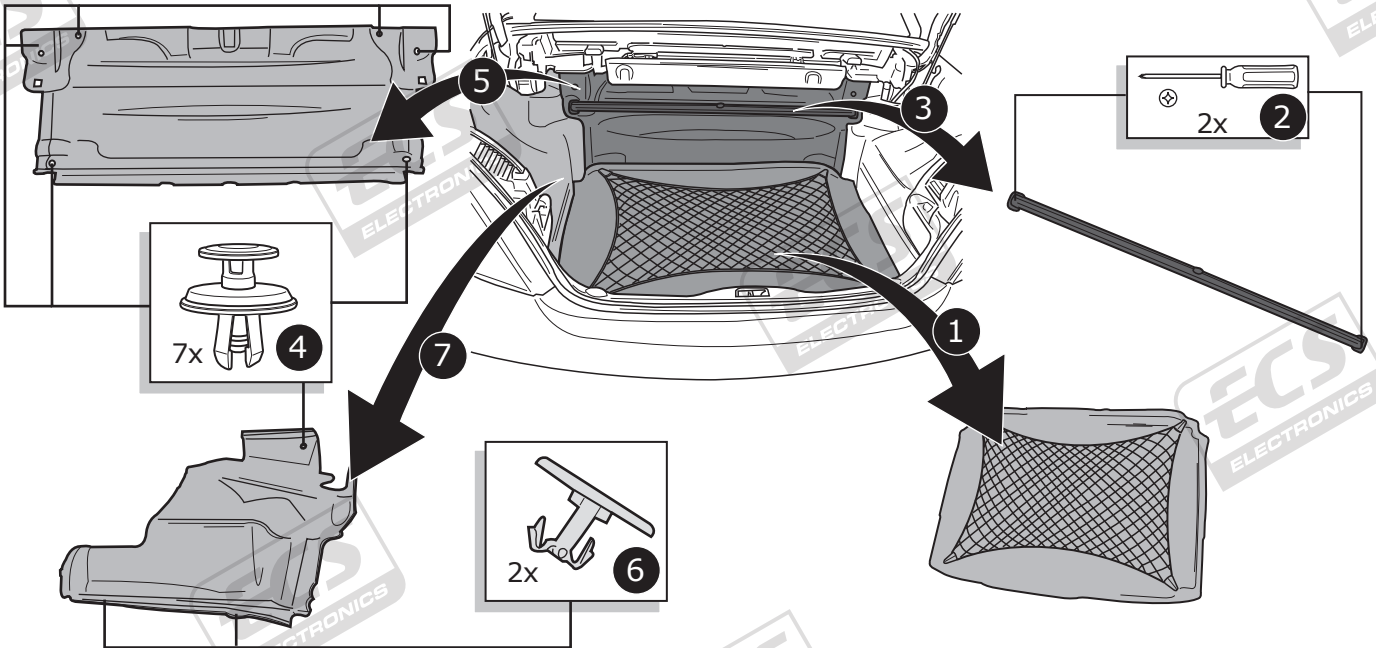
207 CC

20

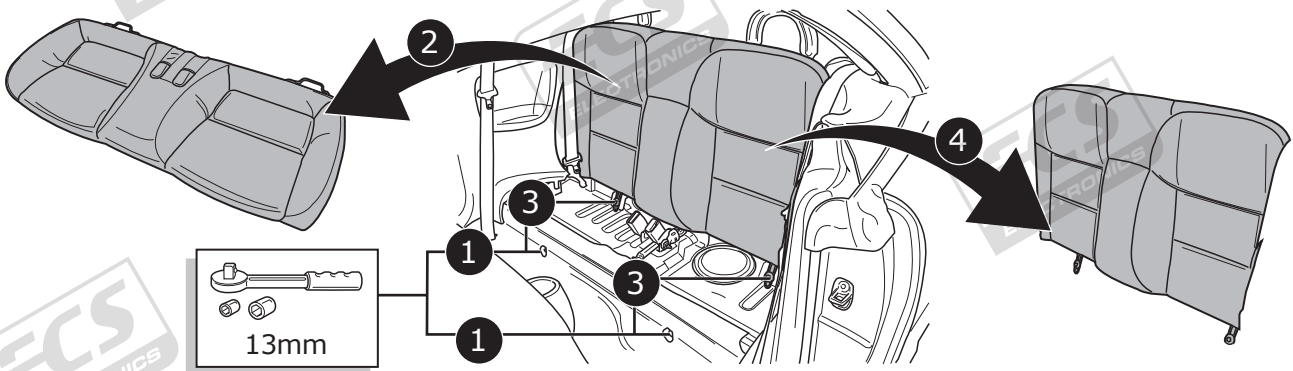




21

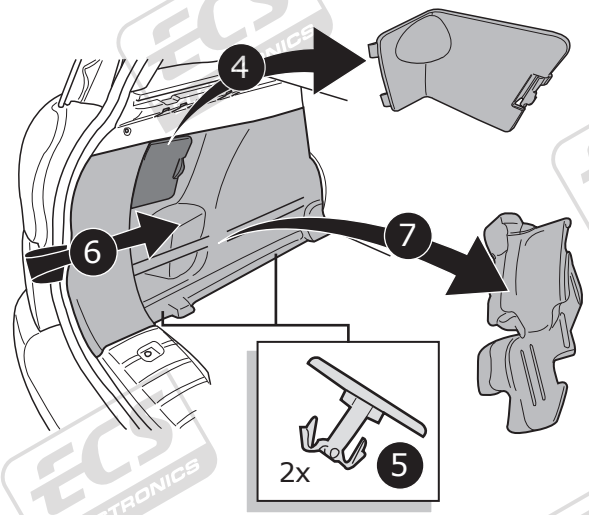
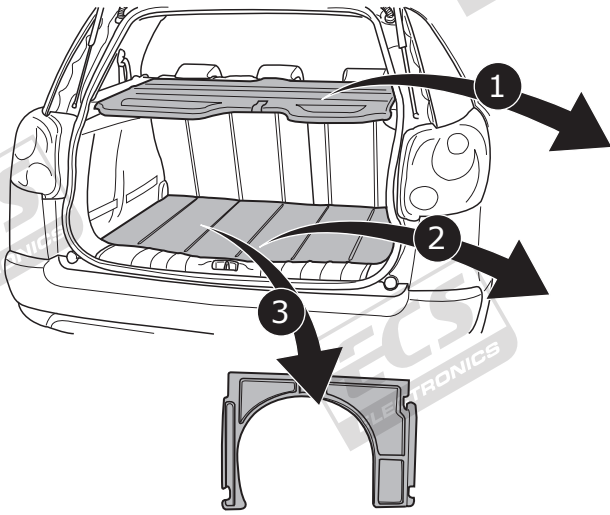


22



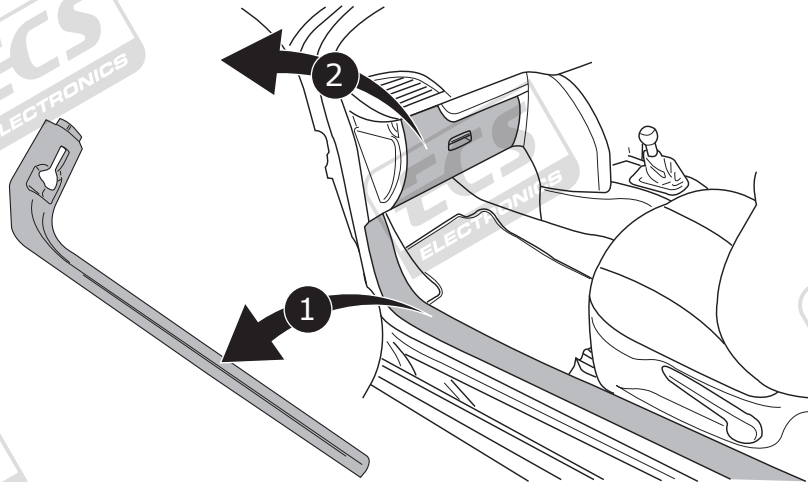
207 SW

23



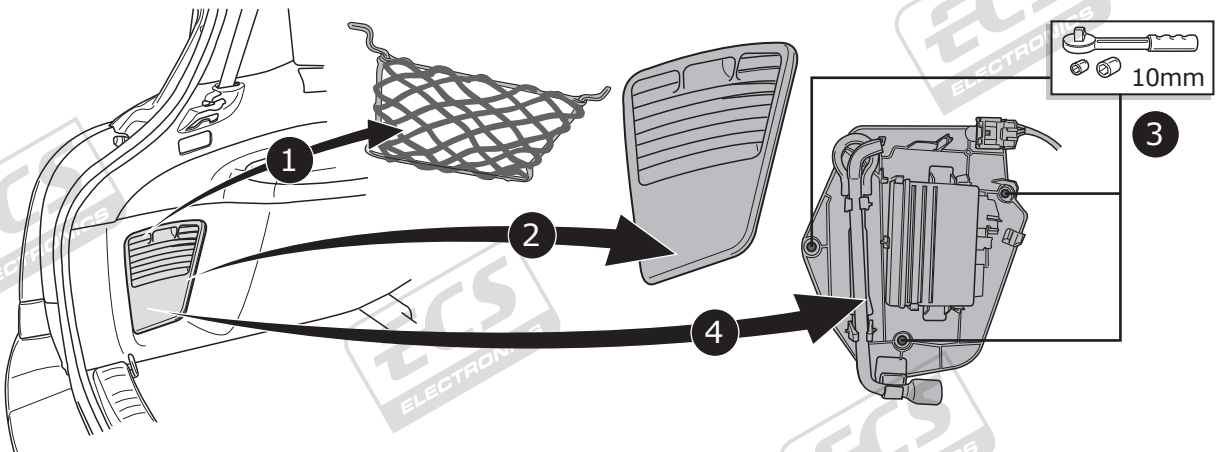
207 / 207 CC / 207 SW / 308 CC

24

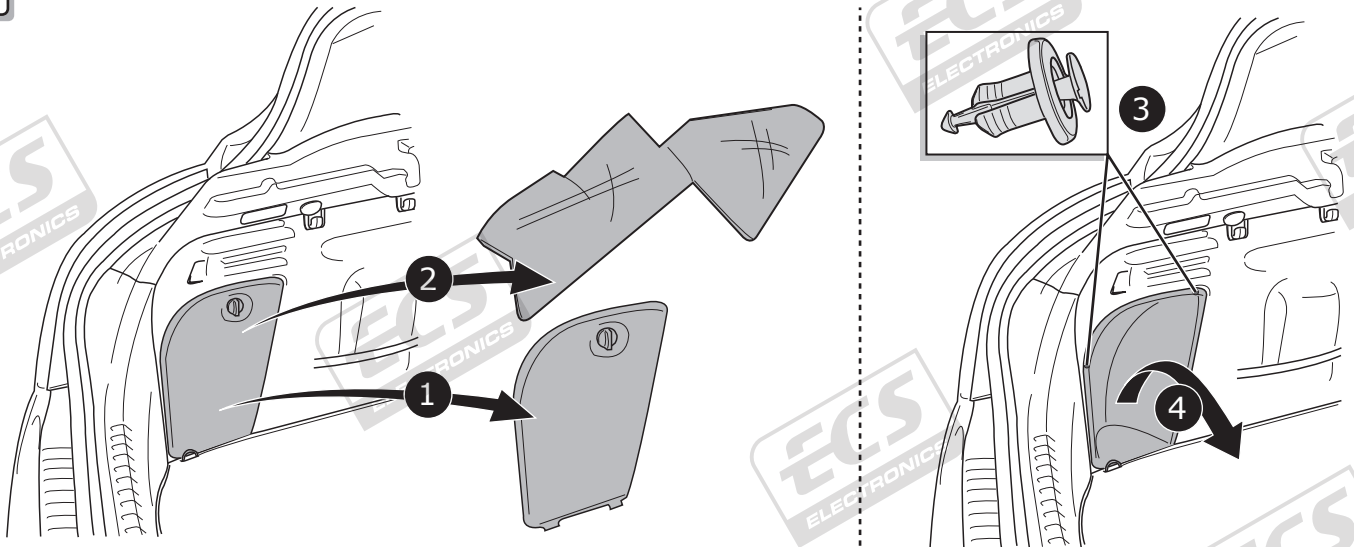


308 SW

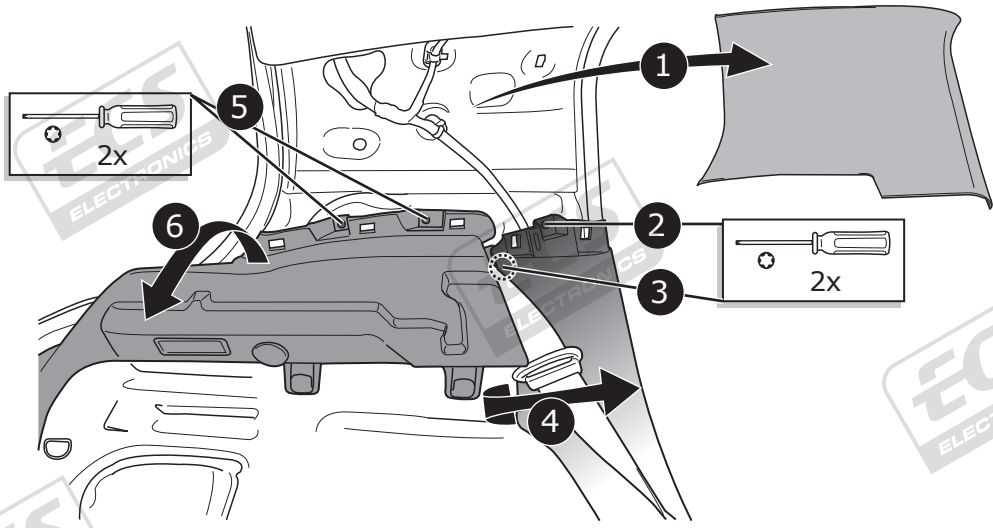
25



26

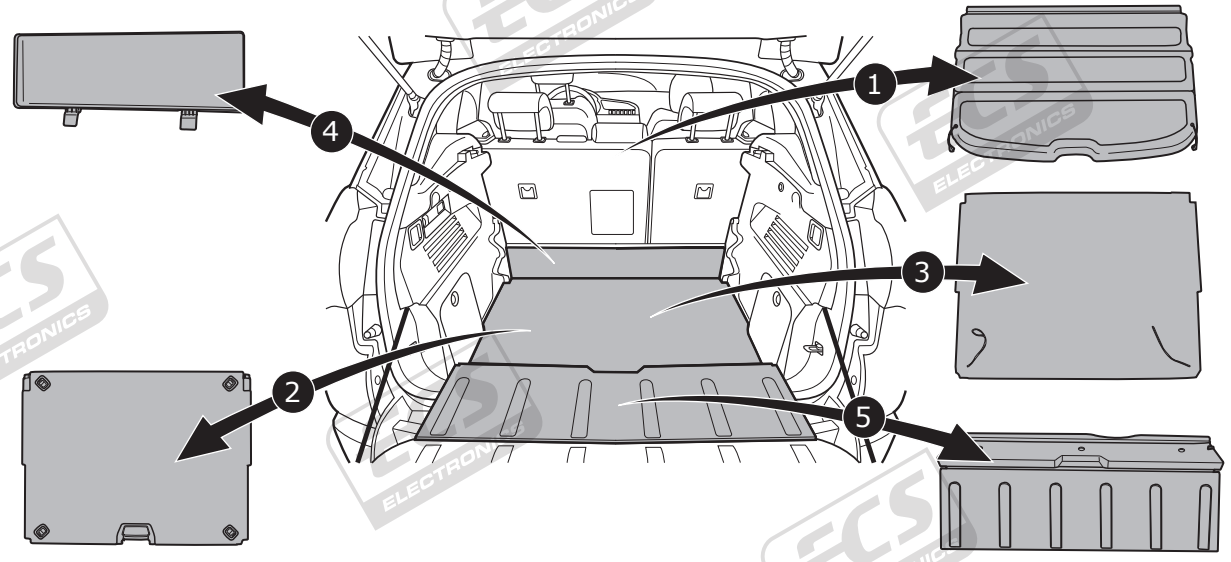


27

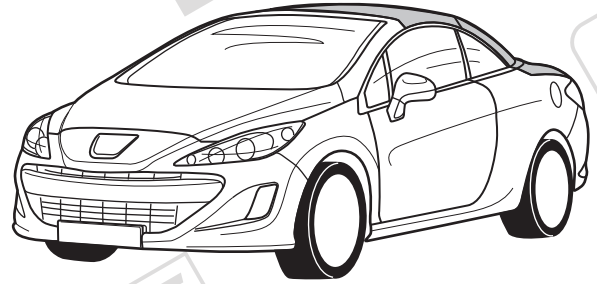
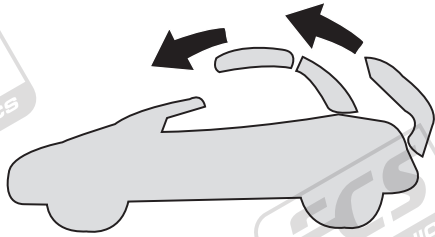


3008 / C4 Picasso

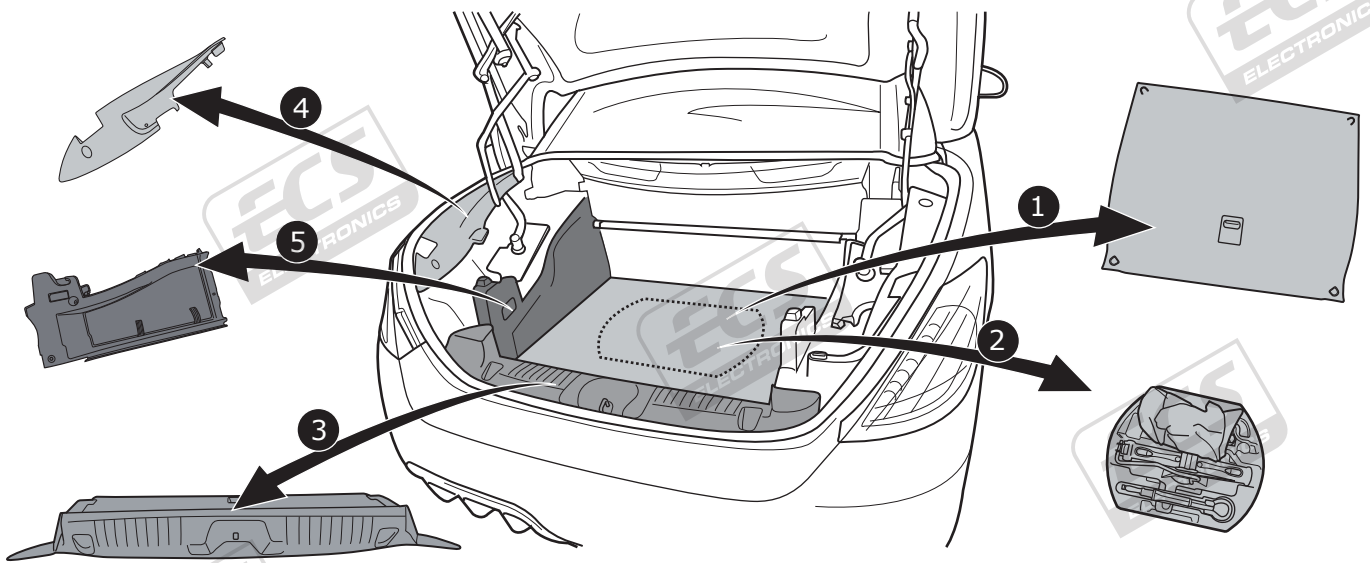
28



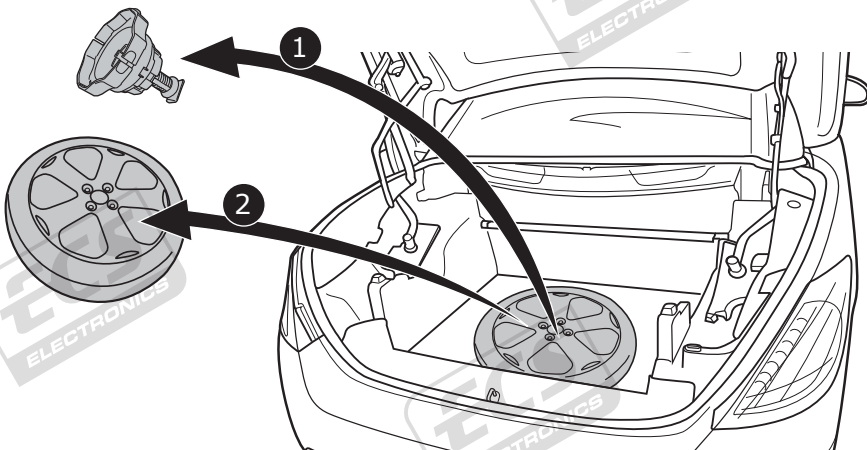
29



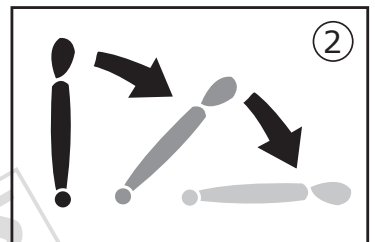
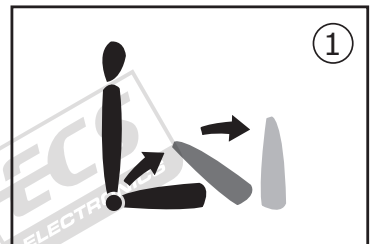
30



31

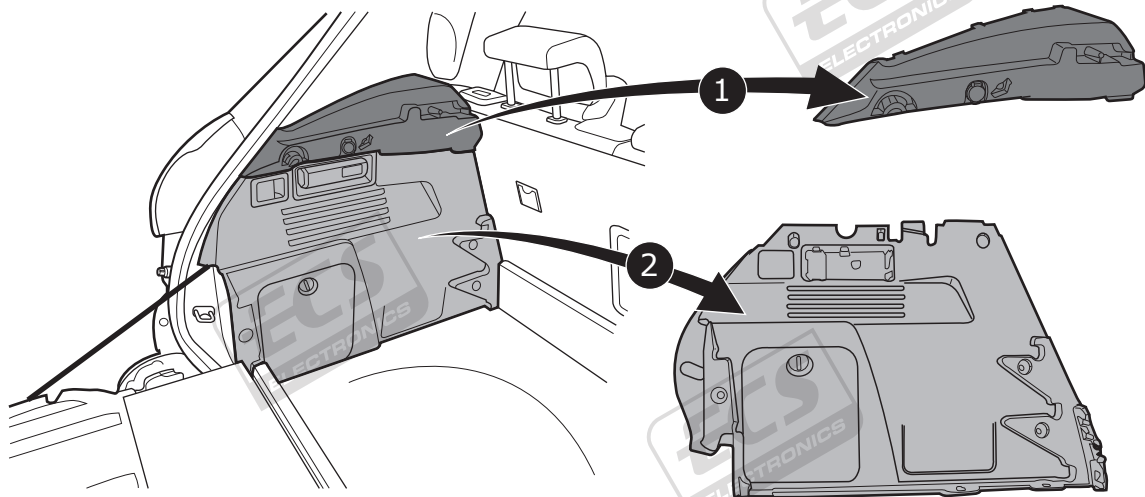


32



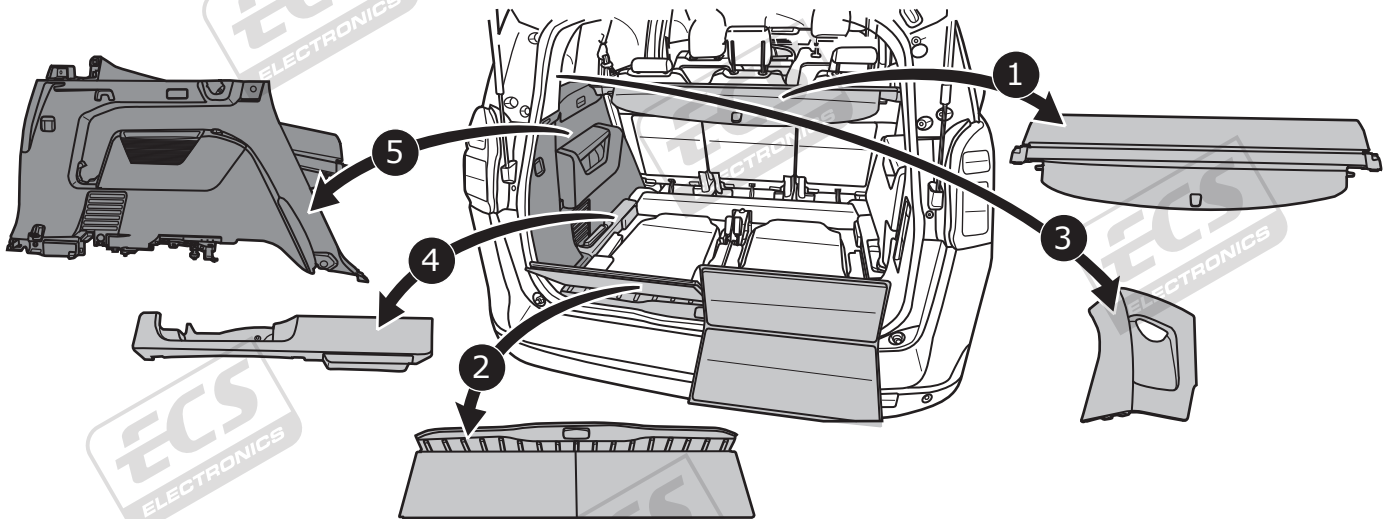
3008 / C4 Picasso

33



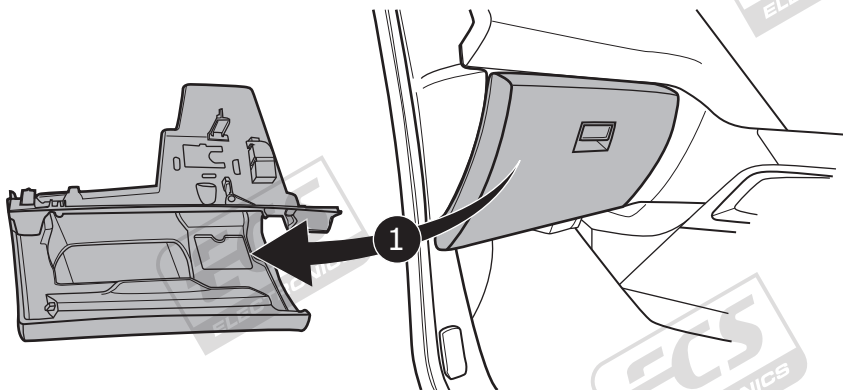
5008 / C4 Grand Picasso

34



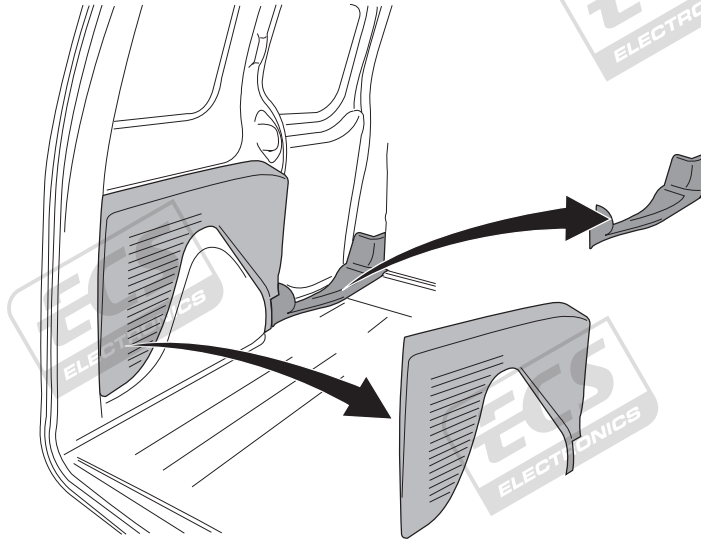
308 SW / 308 / 308 CC / 3008 / 5008 / C4 Picasso / C4 Grand Picasso

35

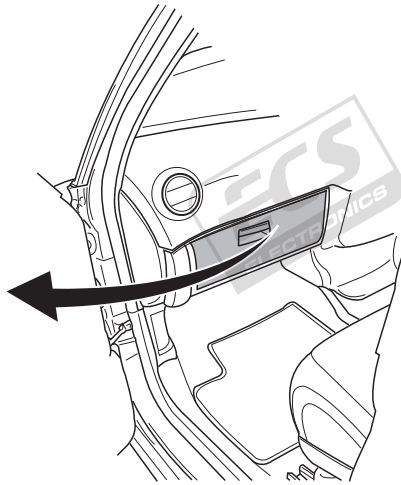


Citroën Berlingo / Peugeot Partner

36

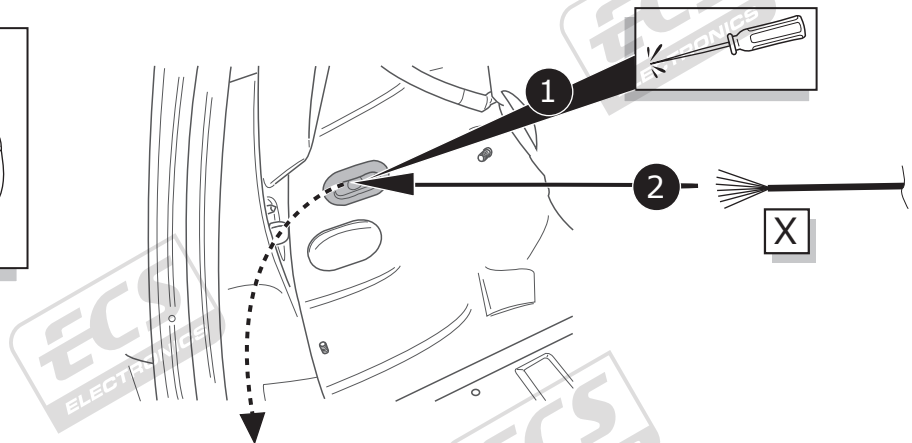
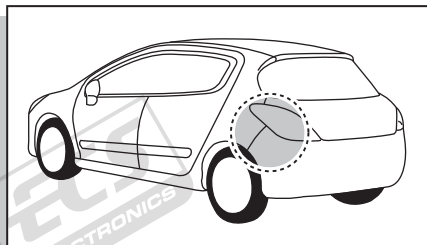


37



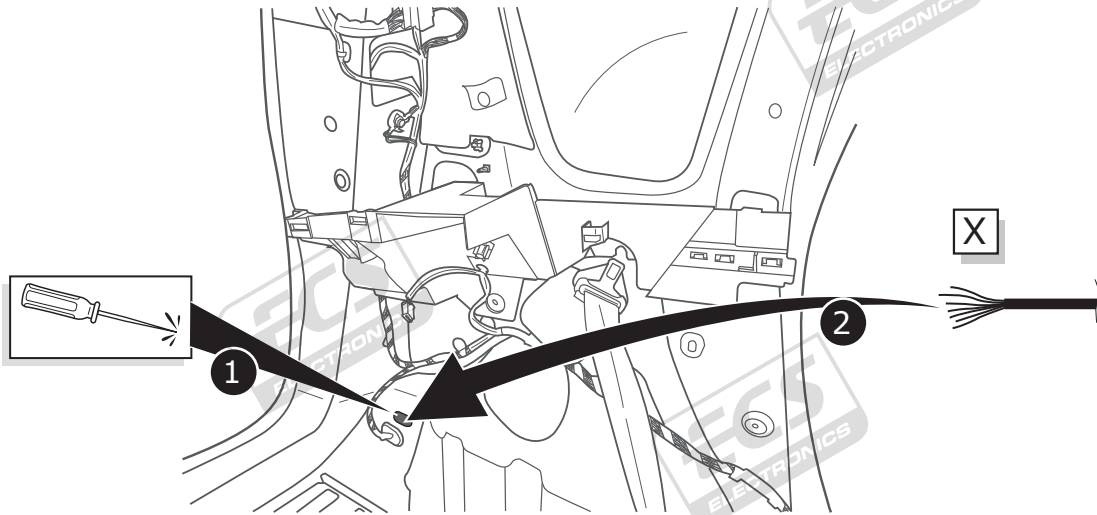
C2 / C3 / C3 Pluriël

38



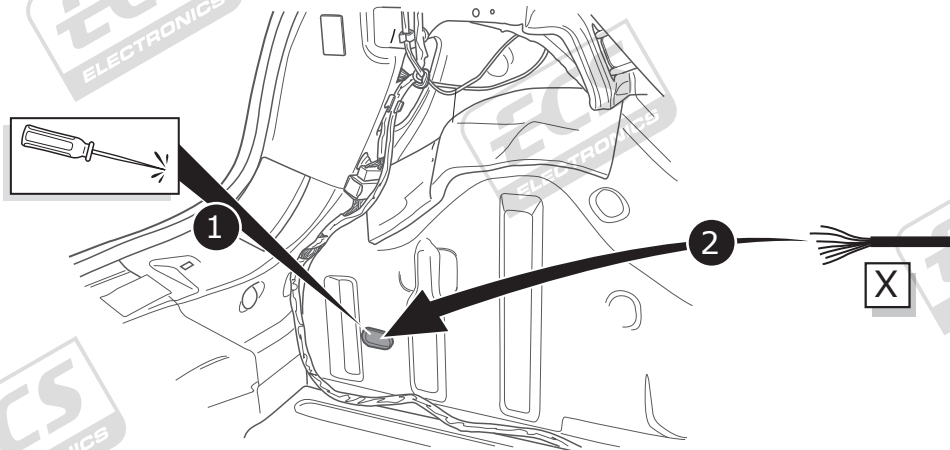
### C3 Picasso

39



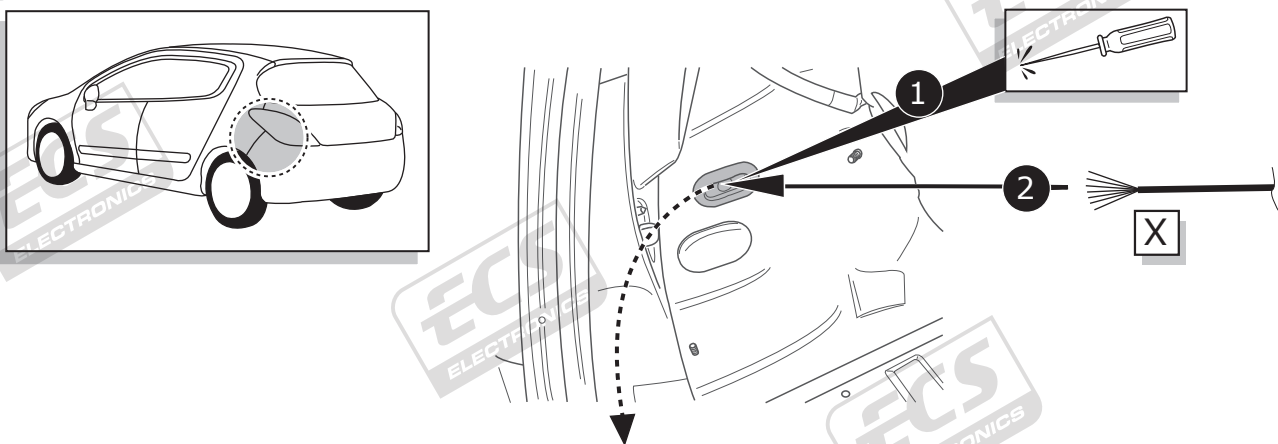
### C3 III / DS3 / DS3 Cabriolet

40



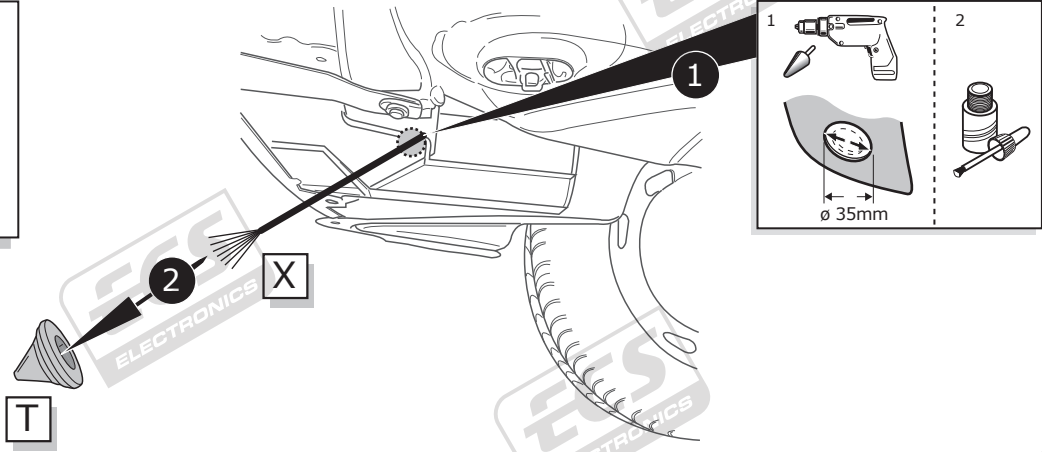
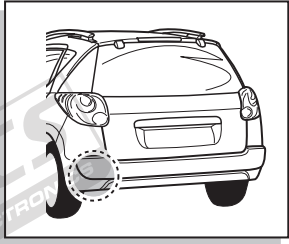
### 207 / 207 SW

41



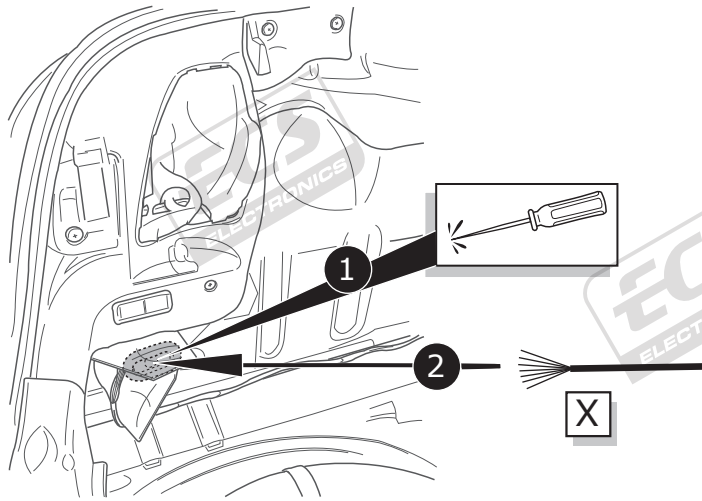
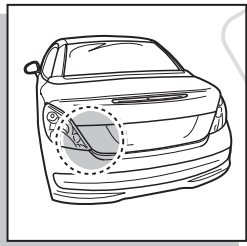
207 SW

42



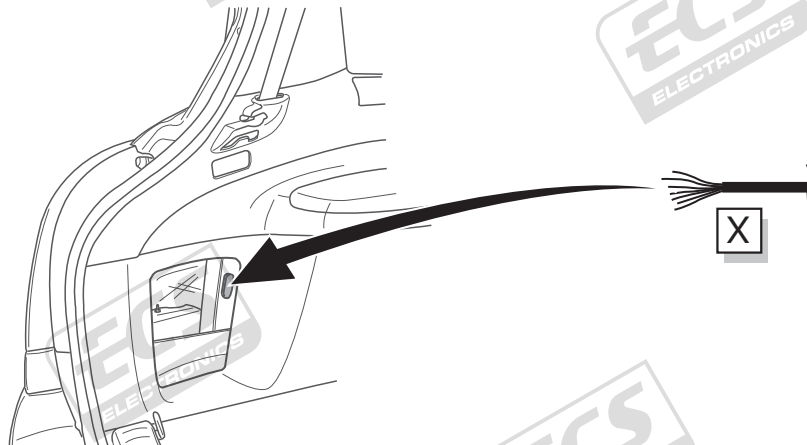
207 CC

43



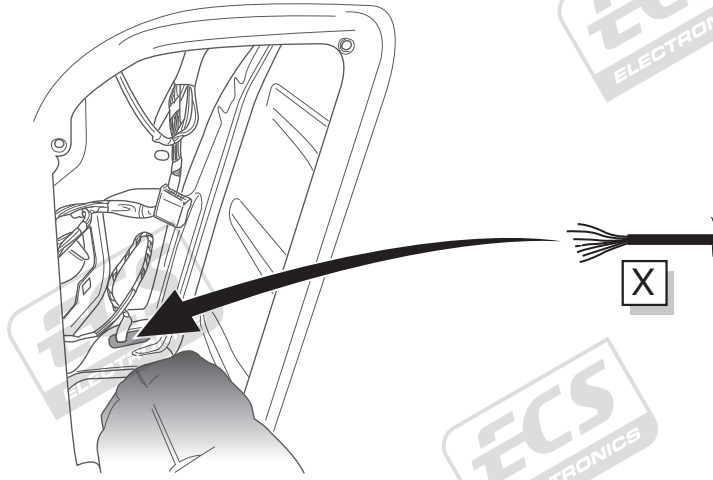
308 SW

44



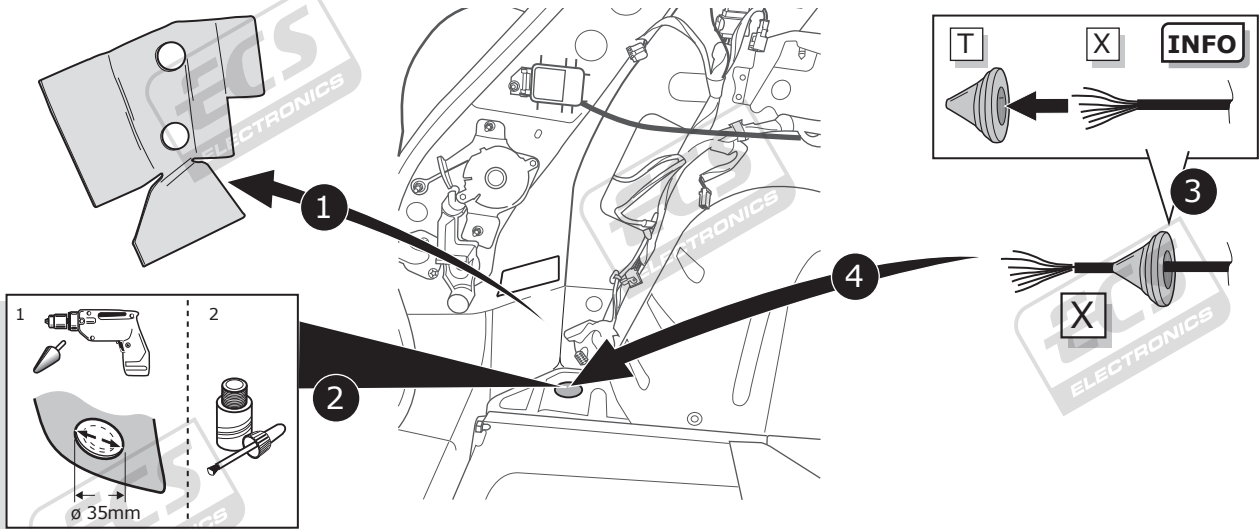


45



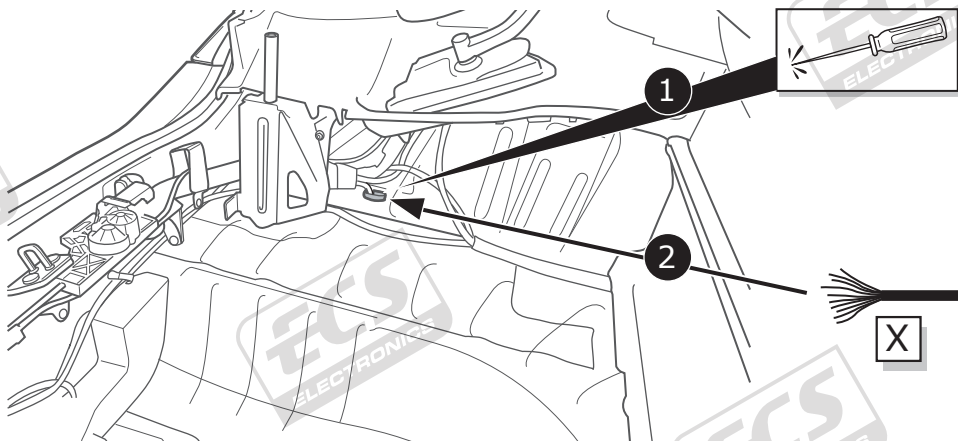
3008 / C4 Picasso

46



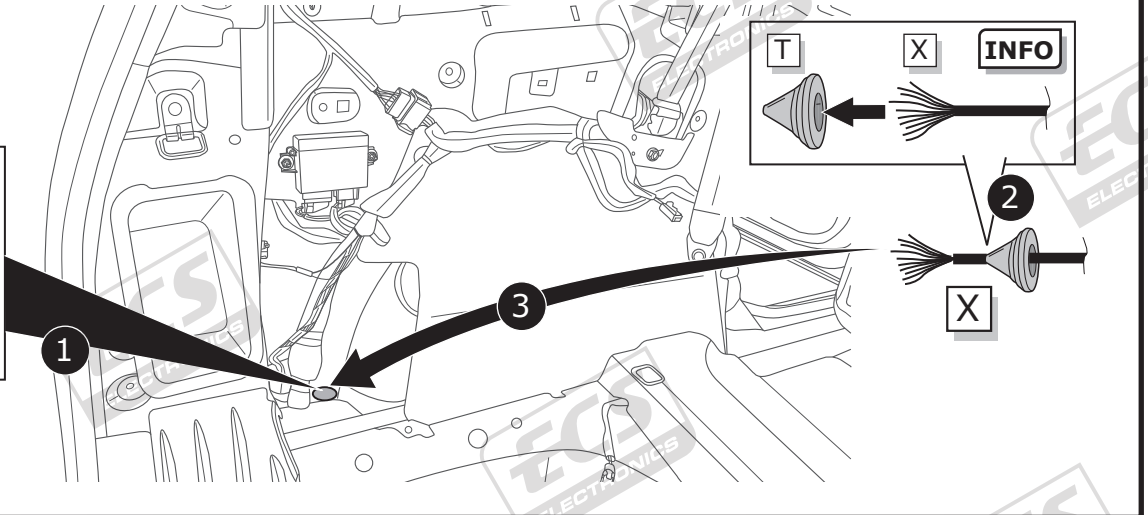
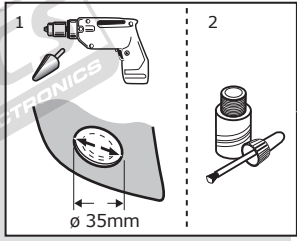
308 CC

47



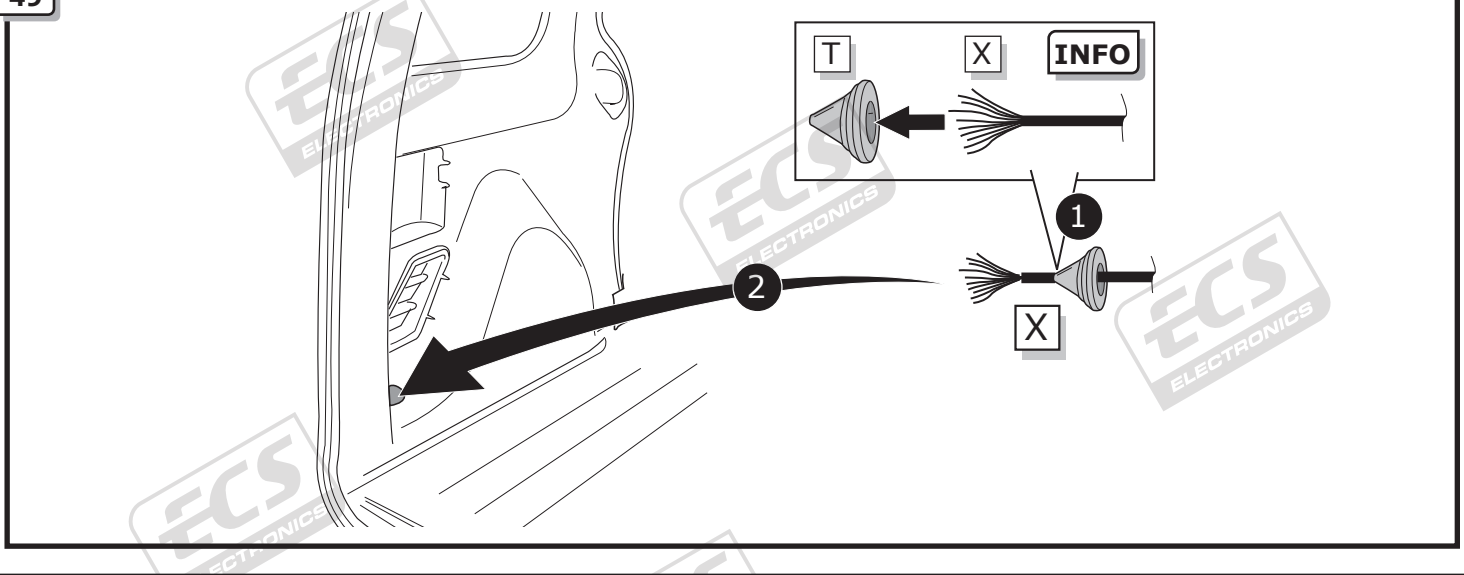
5008 / C4 Grand Picasso

48



Citroën Berlingo / Peugeot Partner

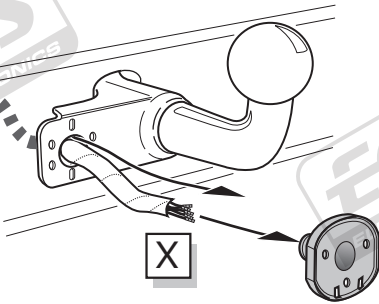
49



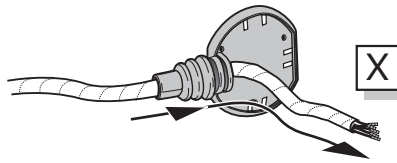
# All Models

**A**

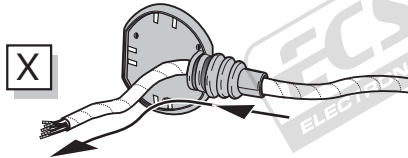
Option 1



Option 2



Option 3



**INFO**

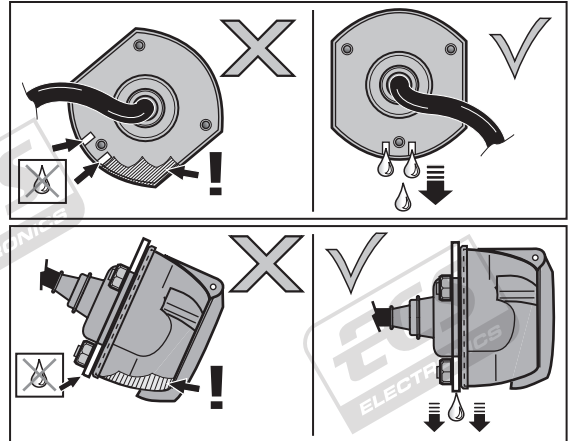
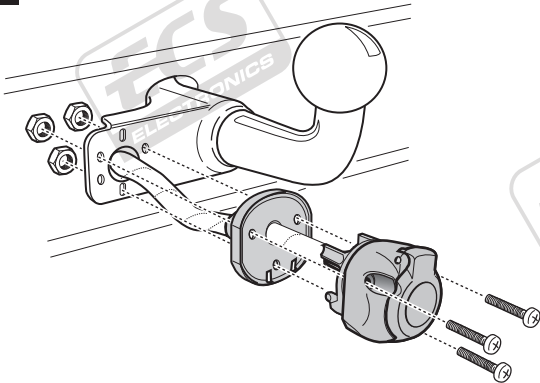
SOCKET CONNECTION



Pag. 38

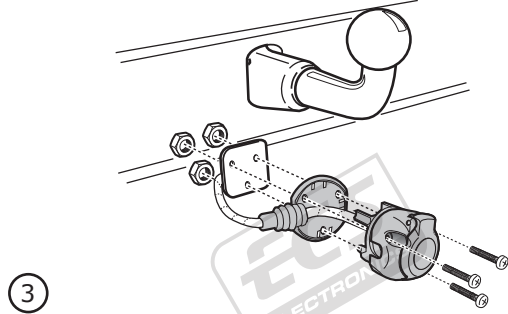
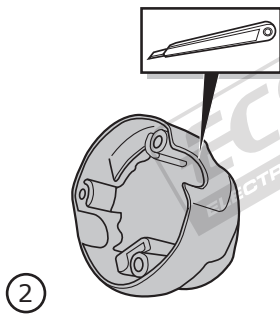
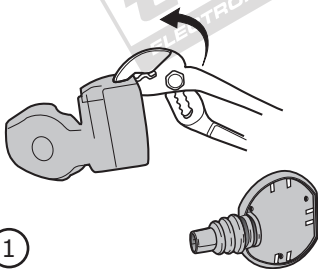
**B**

Option 1



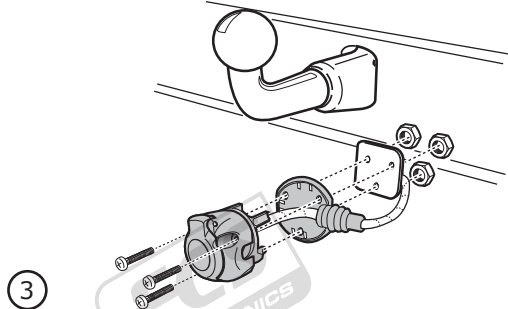
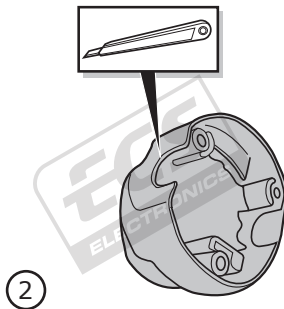
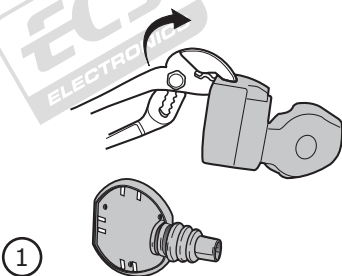
**C**

Option 2



**D**

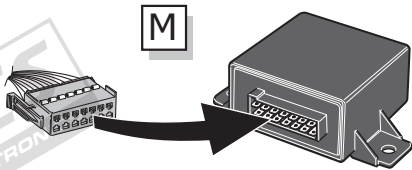
Option 3



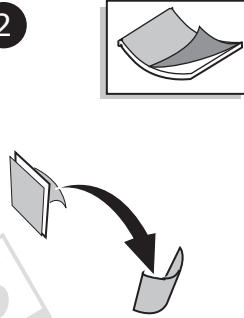
## All Models

50

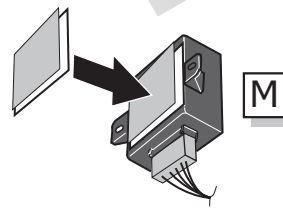
1



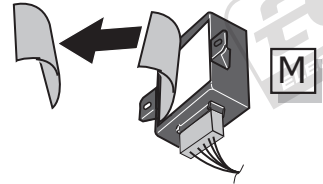
2



3

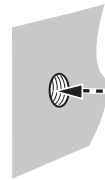
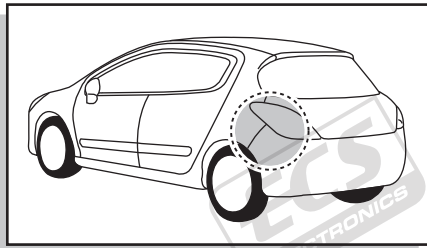


4

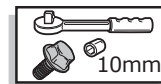


## C2 / C3 / C3 Pluriël

51

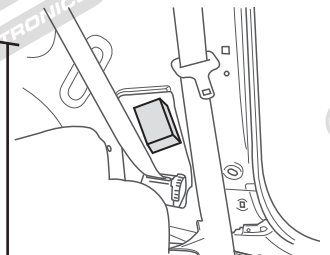
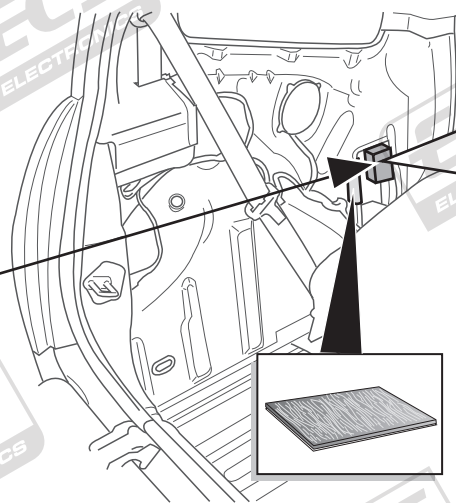
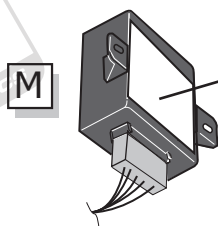
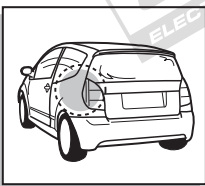


G I



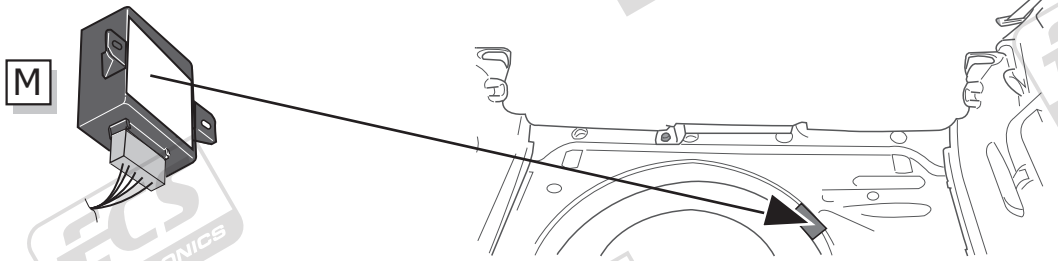
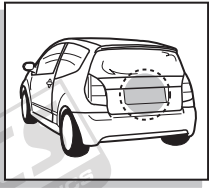
## C2

52



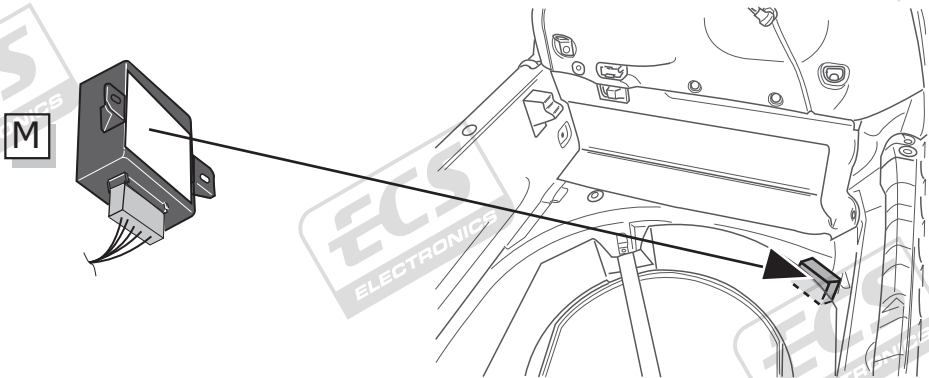
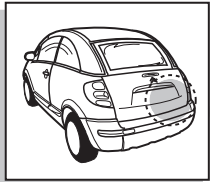
### C3

53



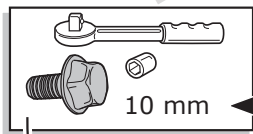
### C3 Pluriël

54



### C3 Picasso

55

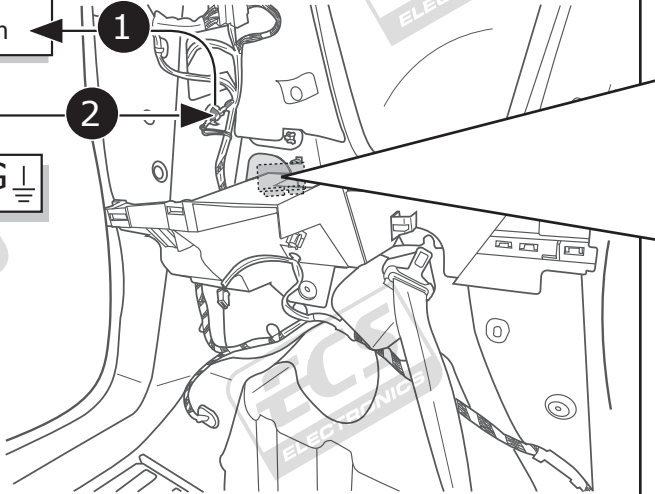


10 mm

1

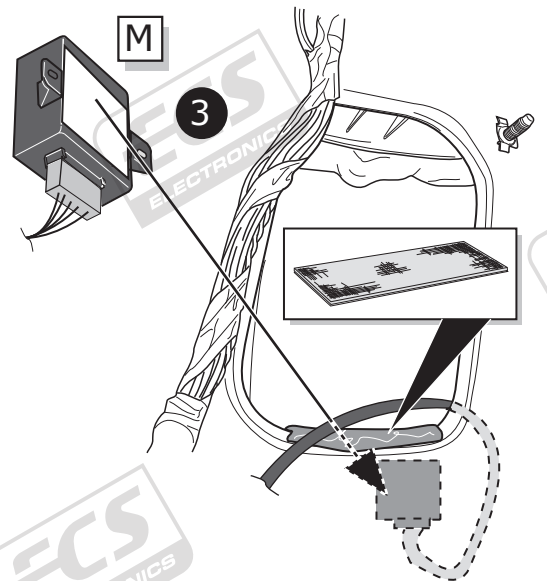
2

G



M

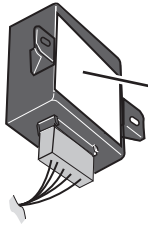
3



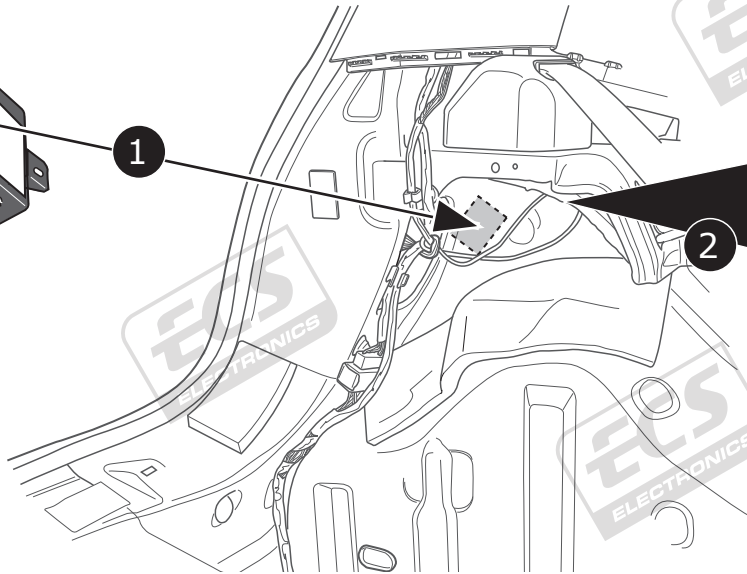
C3 III / DS3 / DS3 Cabriolet

56

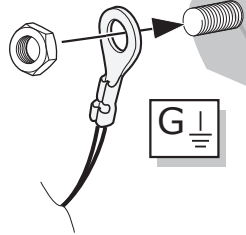
M



1

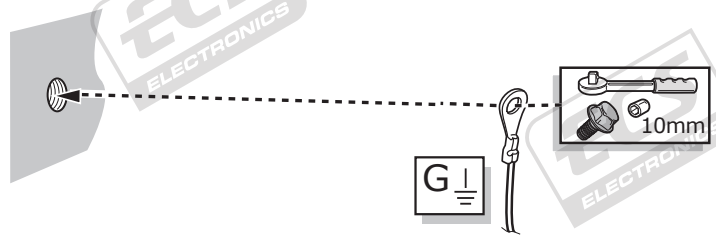
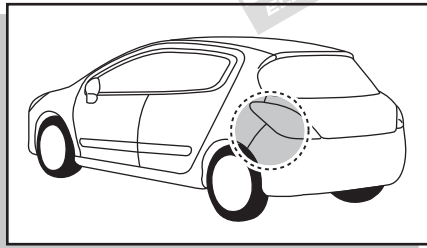


10 mm



207 / 207 CC / 207 SW

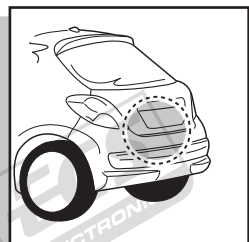
57



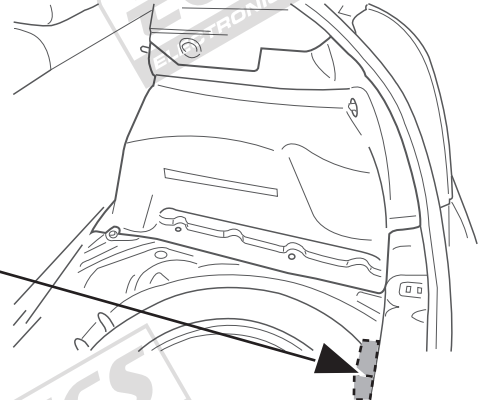
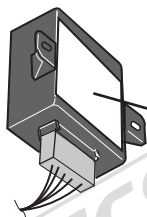
10mm

207 / 207 SW

58

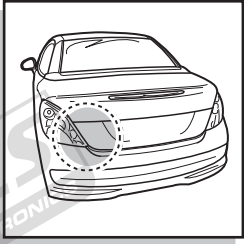


M

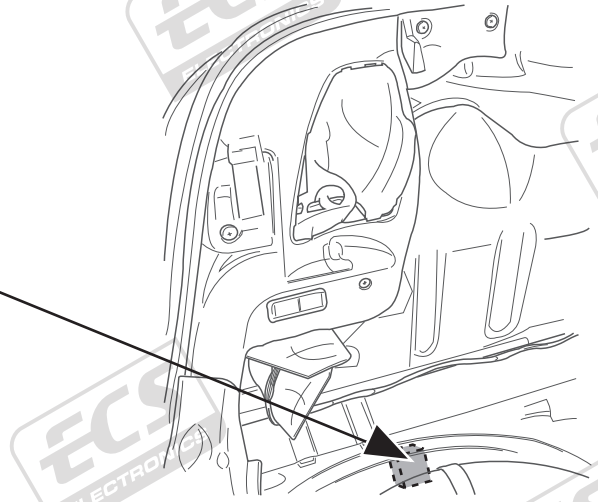
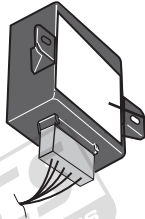


207 CC

59

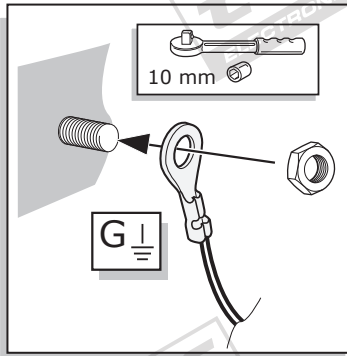


M

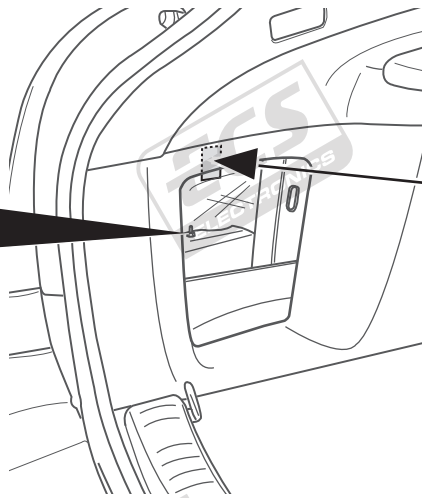


308 SW

60

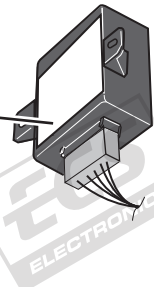


1



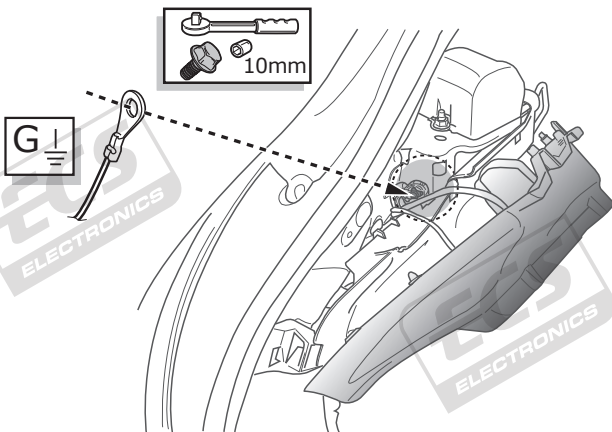
2

M

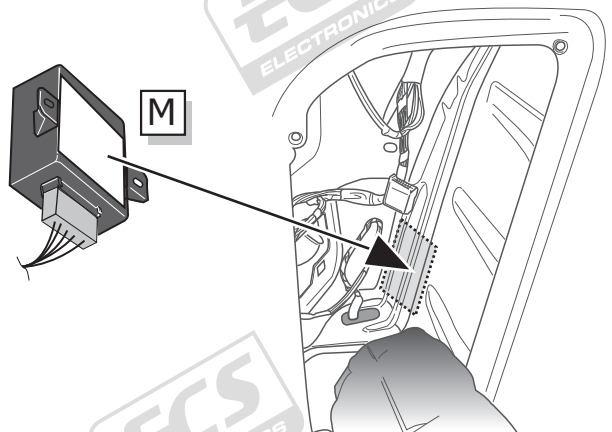


308

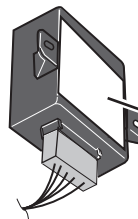
61



62

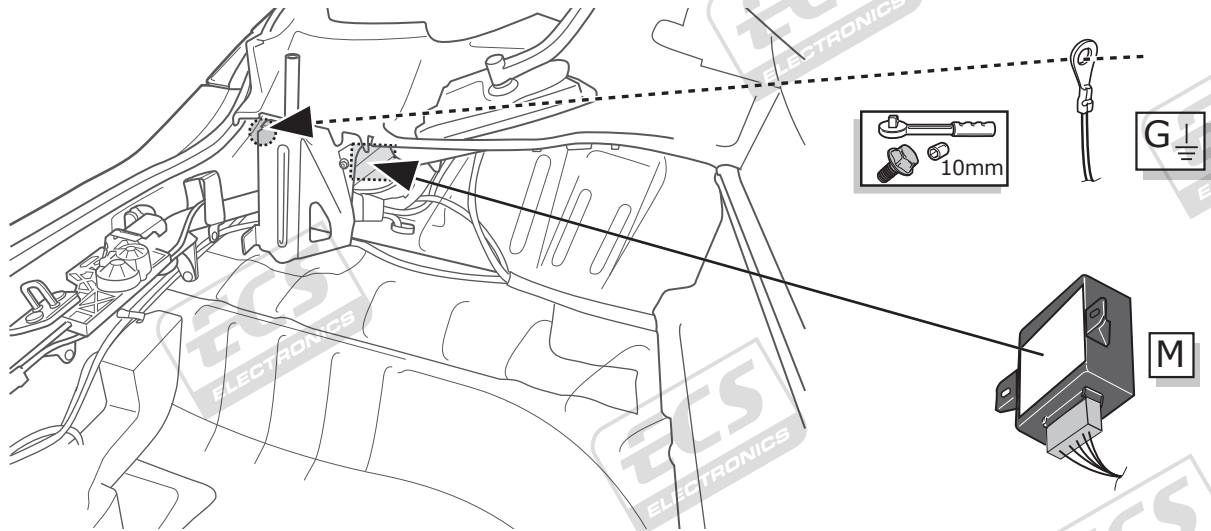


M



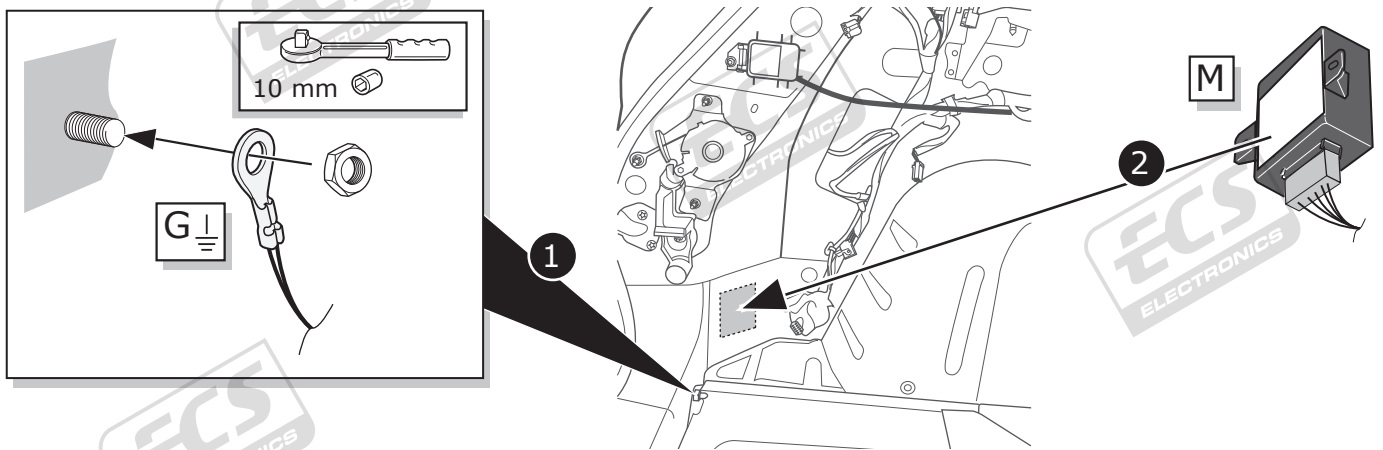
308 CC

63



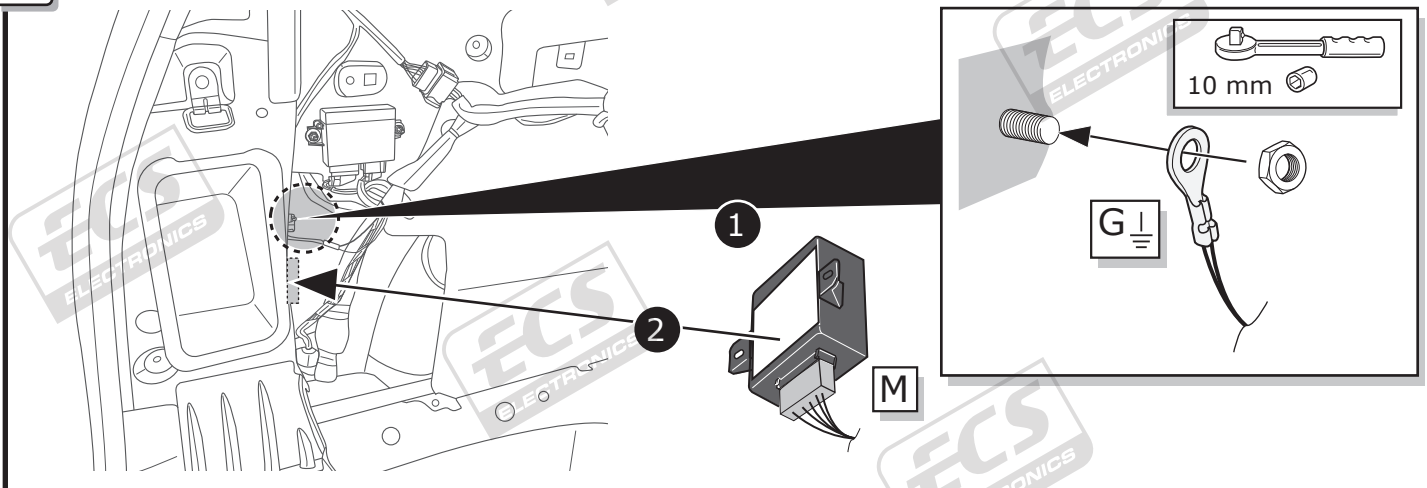
3008

64



5008 / C4 Picasso / C4 Grand Picasso

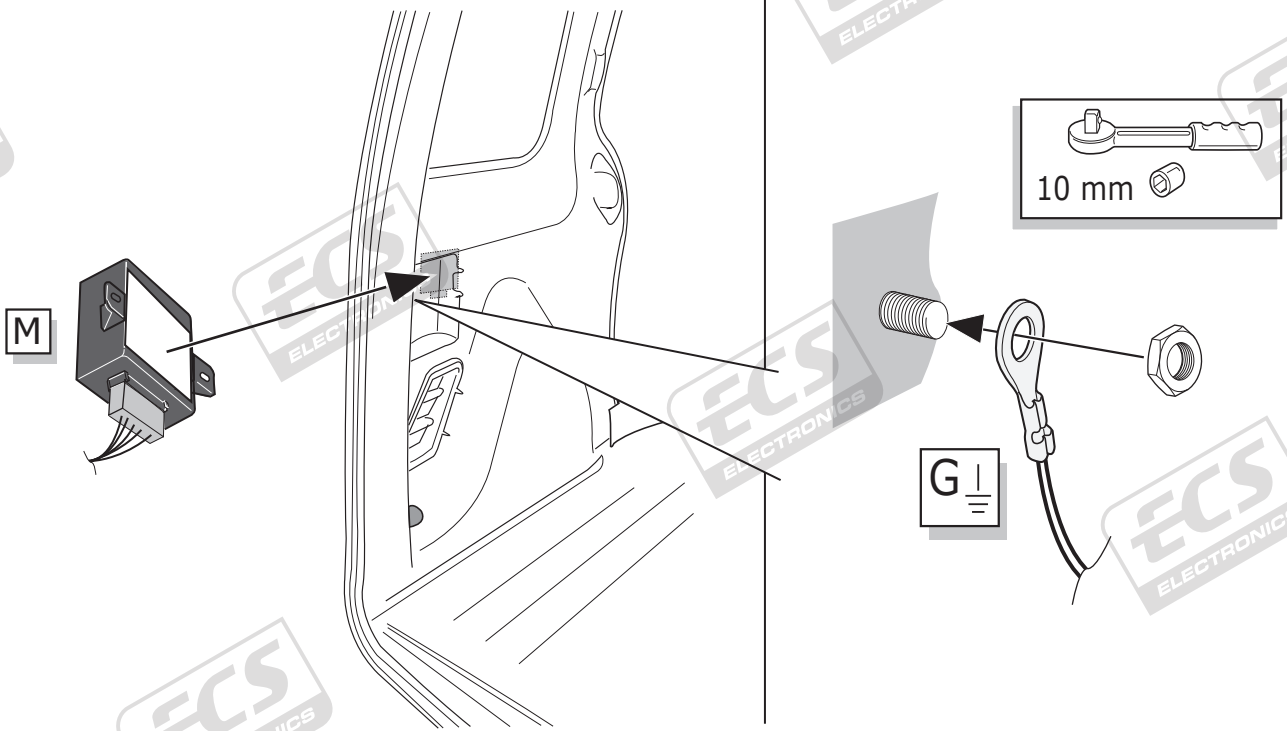
65





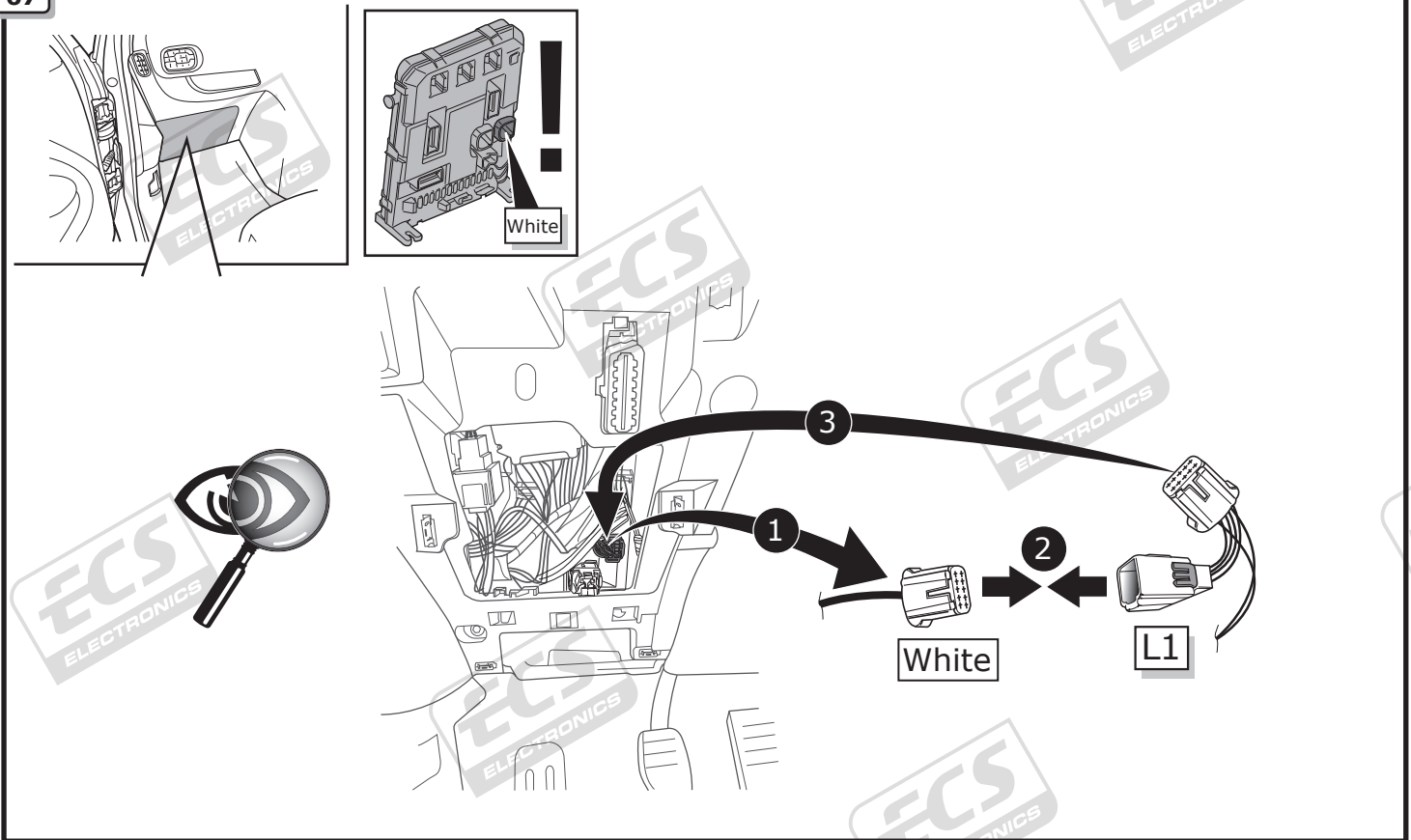
Citroën Berlingo / Peugeot Partner

66

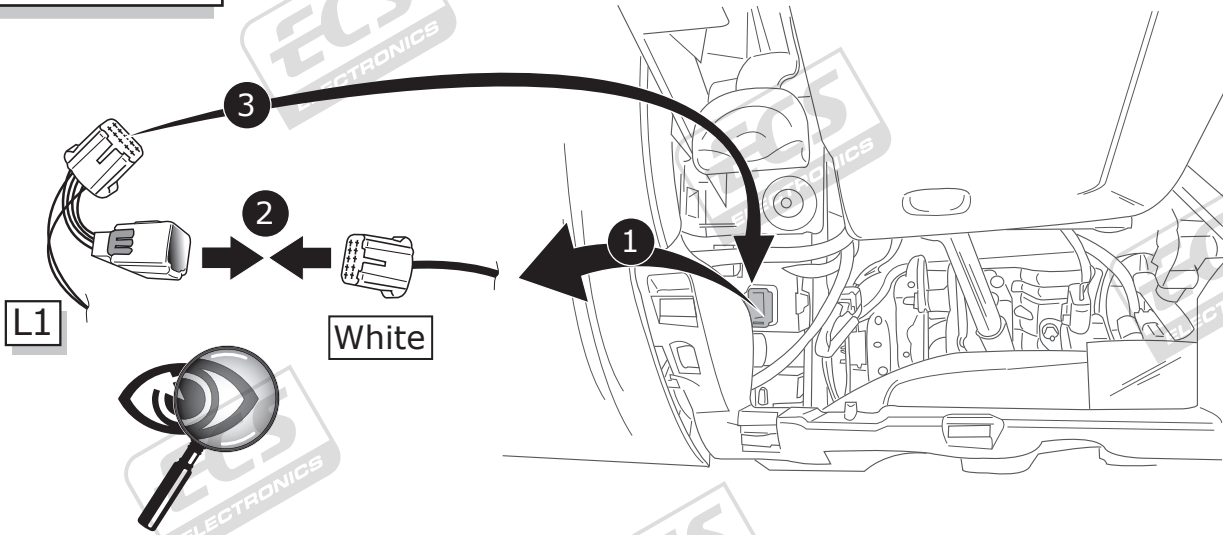
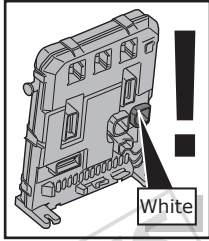
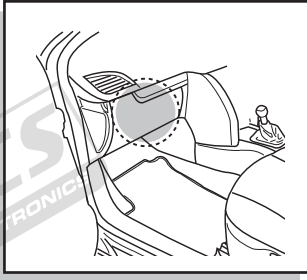


All Models (not 207 / 207 CC / 207 SW)

67

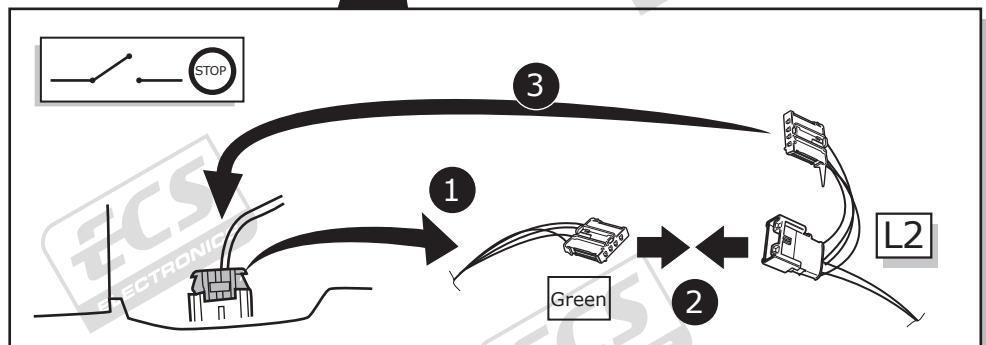
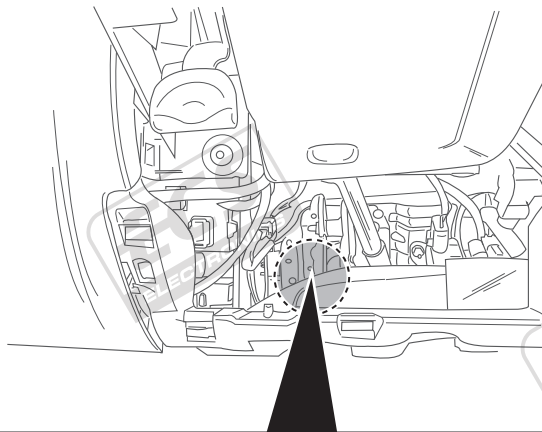
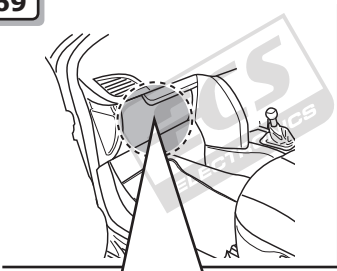


68

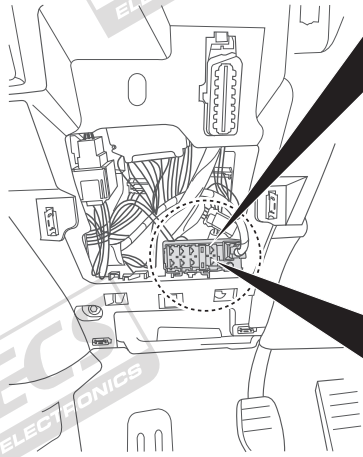
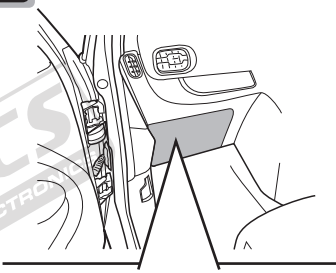


All Models

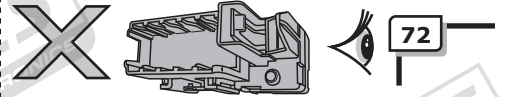
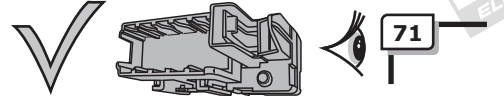
69



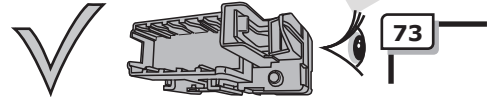
70



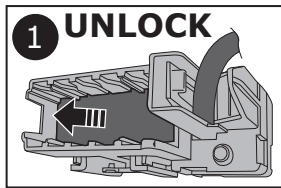
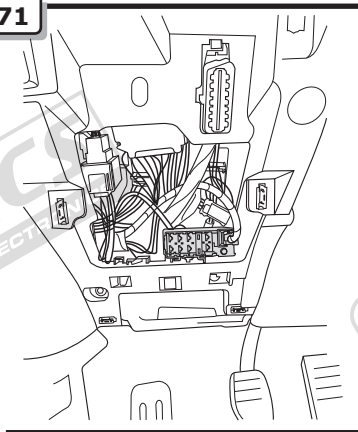
C3 Picasso  
 C3 III  
 DS3  
 DS3 Cabriolet  
 308 SW  
 308  
 308 CC  
 3008  
 C4 / 207  
 207 CC  
 Berlingo  
 Partner



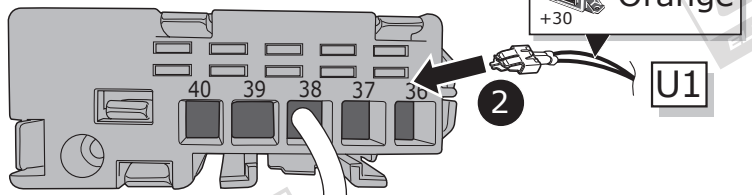
C2  
 C3  
 C3 Pluriel



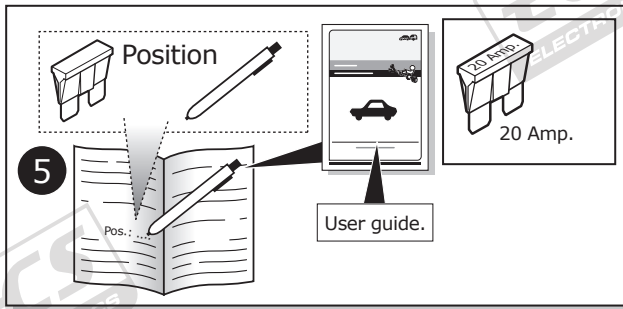
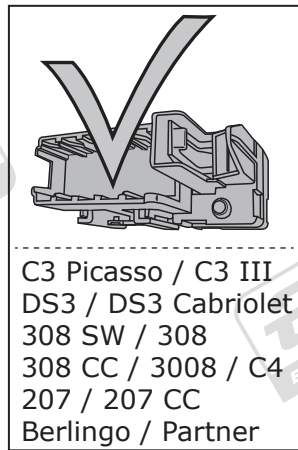
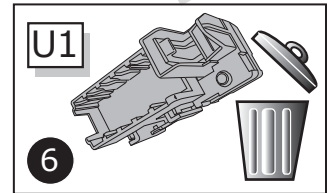
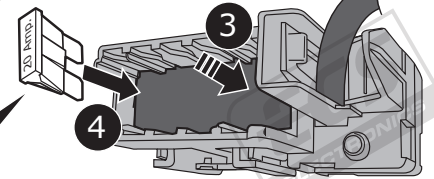
71



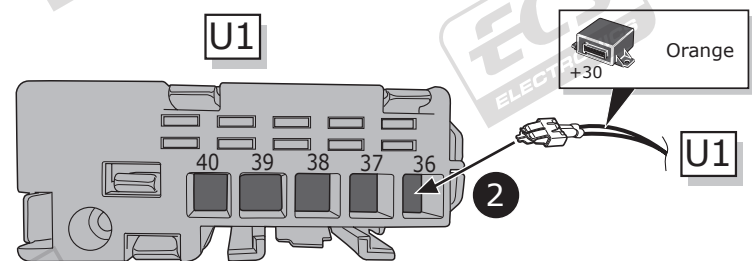
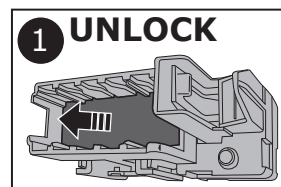
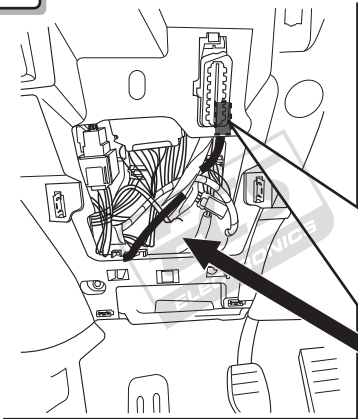
**! Choose free position**



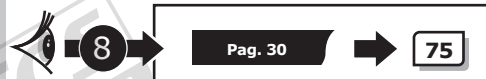
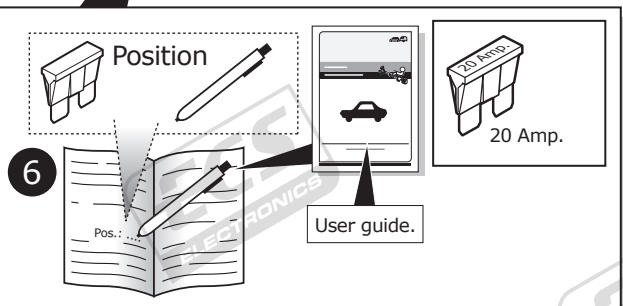
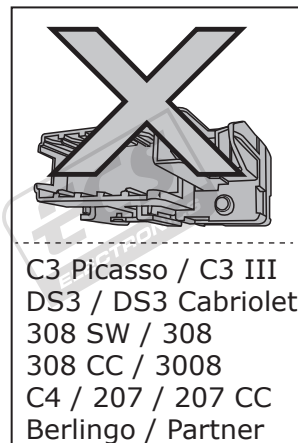
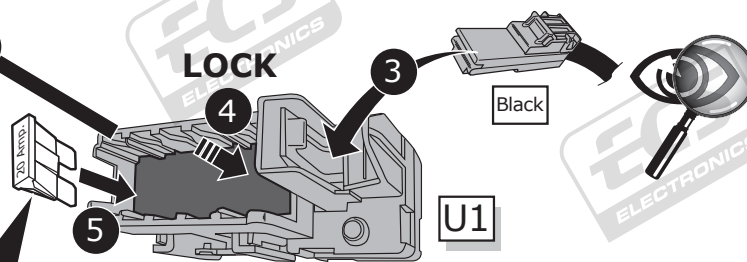
**LOCK**



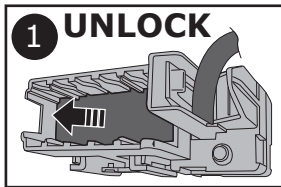
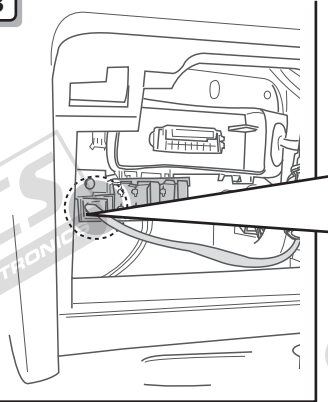
72



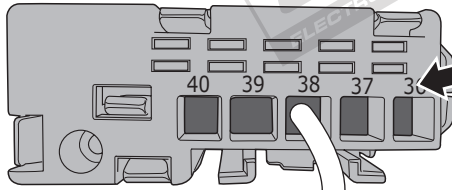
**LOCK**



73



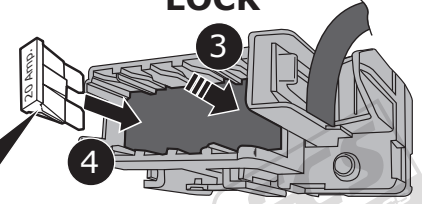
**! Choose free position**



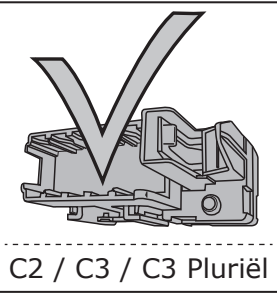
2



**LOCK**



4



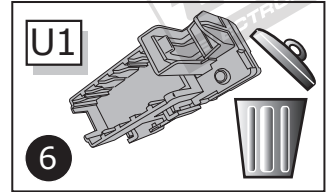
C2 / C3 / C3 Pluriël

5

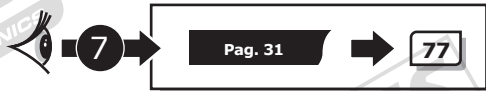
Position

User guide.

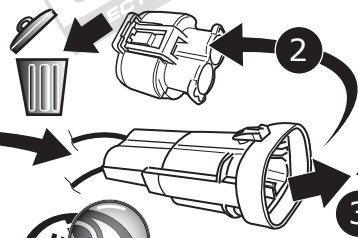
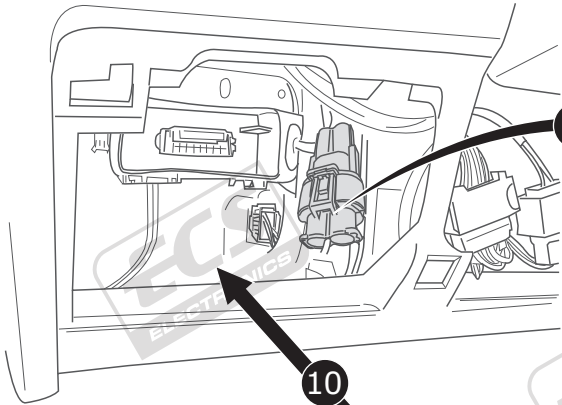
20 Amp.



6

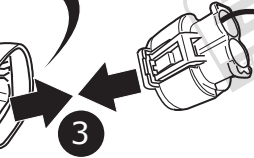


74



1

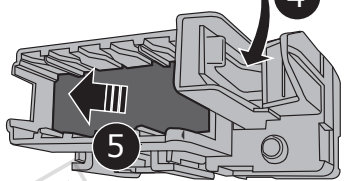
L3



2



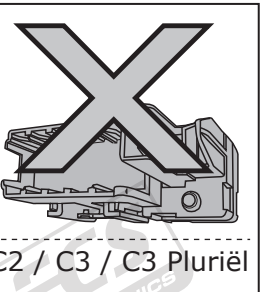
L4



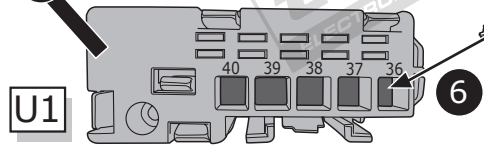
4

U1

**UNLOCK**



C2 / C3 / C3 Pluriël

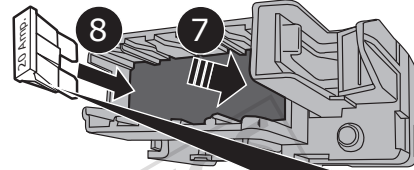


6



U1

**LOCK**



8

7

9

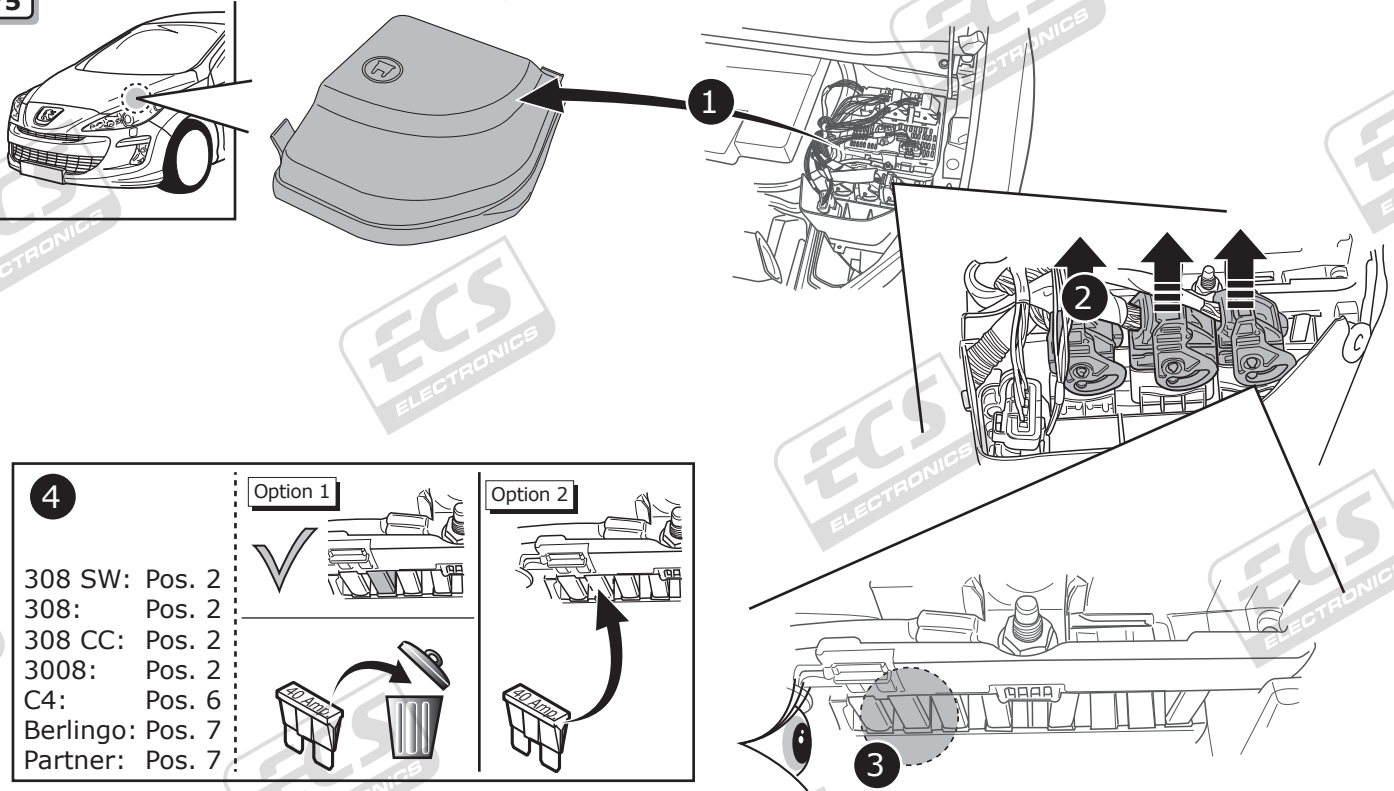
Position

User guide.

20 Amp.



75



4

Option 1

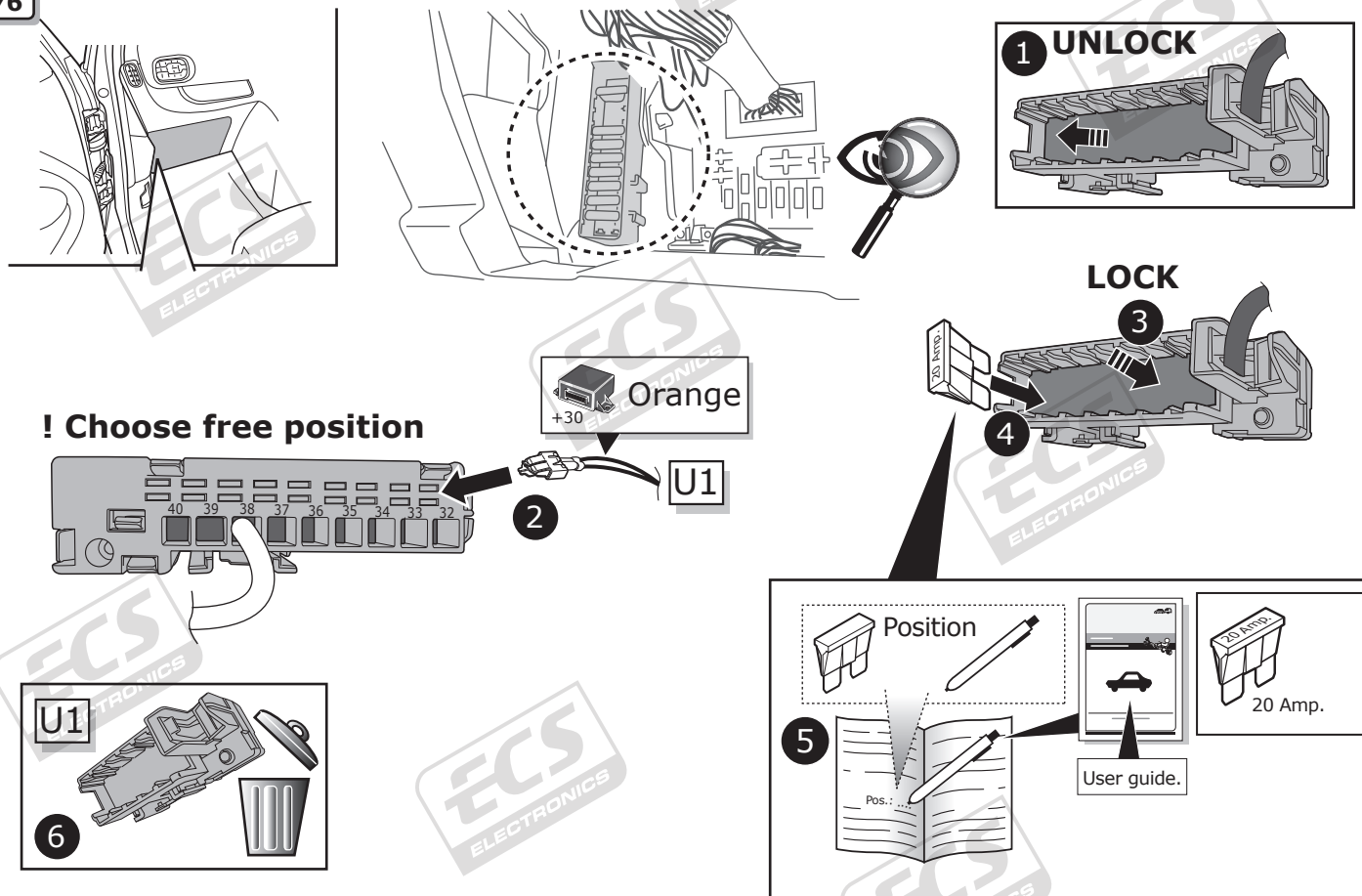
Option 2

- 308 SW: Pos. 2
- 308: Pos. 2
- 308 CC: Pos. 2
- 3008: Pos. 2
- C4: Pos. 6
- Berlingo: Pos. 7
- Partner: Pos. 7

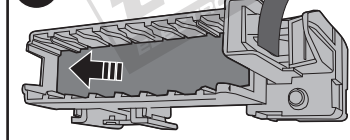


5008 / C4 Picasso / C4 Grand Picasso

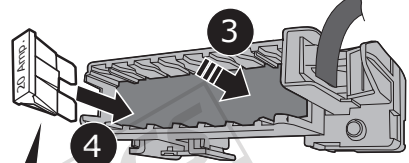
76



1 UNLOCK



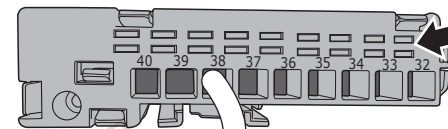
LOCK



! Choose free position

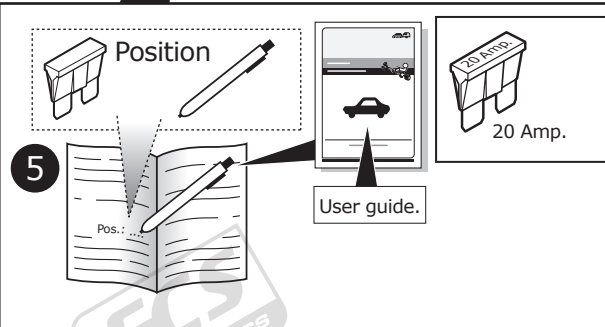
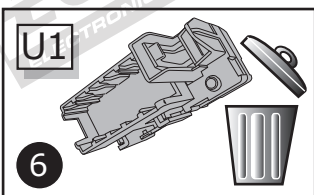
Orange +30

U1



U1

6



5

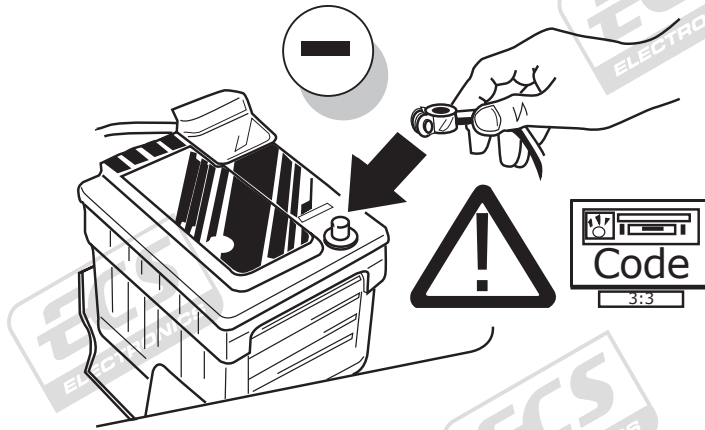
Position

User guide.

20 Amp.

All Models

77



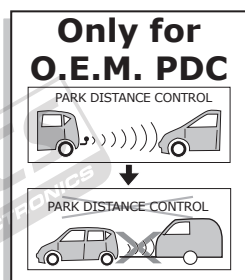
78

TEST ALL THE CIRCUITS WITH A TEST DEVICE WITH THE CORRECT POWER LOAD FOR EACH FUNCTION. A TEST DEVICE WITH LED'S CANNOT BE USED FOR THIS PURPOSE.

INFO

REINSTALL TRIM.

INFO

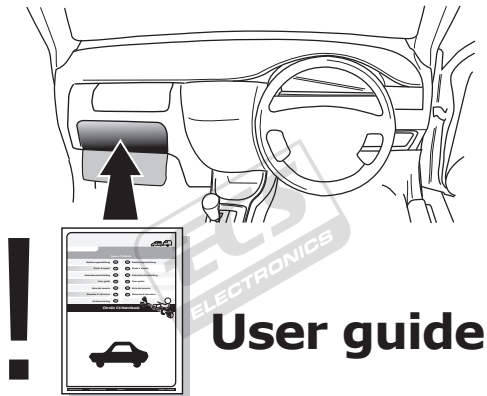


C2

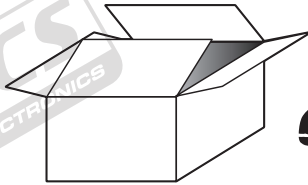
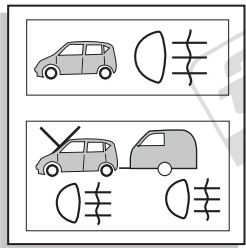


All Models

79



OPTION



Consult your supplier.

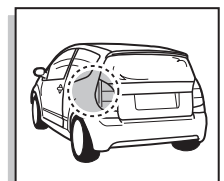
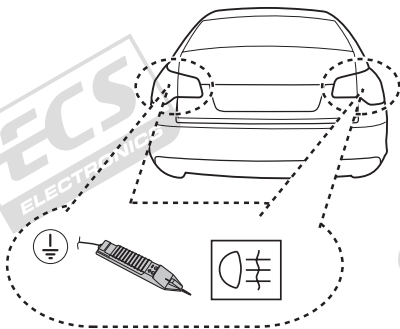
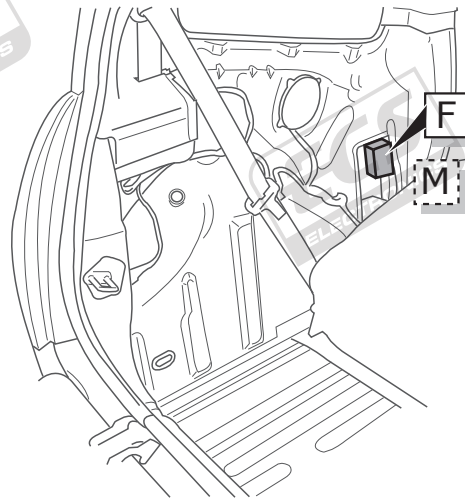
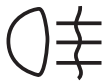
SP-161-ZZ

INFO SP-161-ZZ

INFO

C2

Optional SP-161-ZZ 2x!

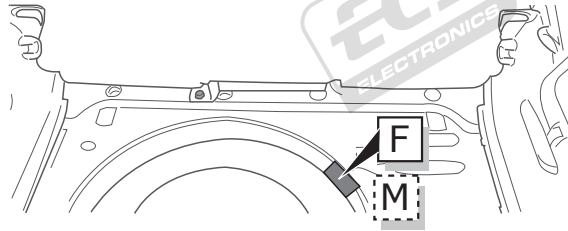
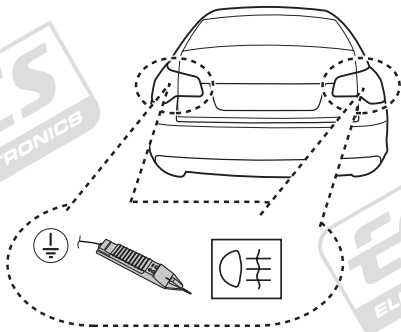




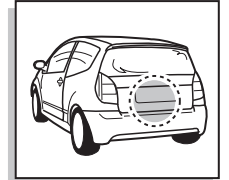
INFO SP-161-ZZ

INFO

C3



Optional SP-161-ZZ 2x!

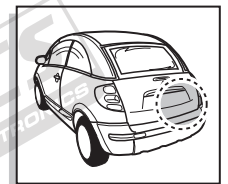
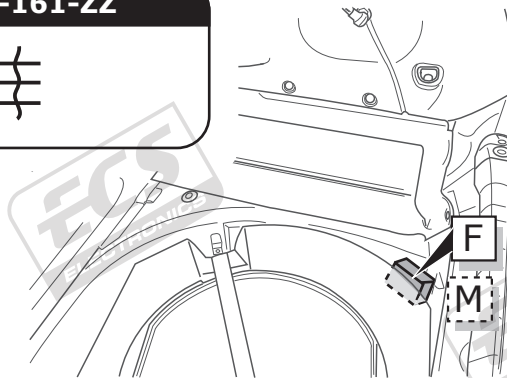
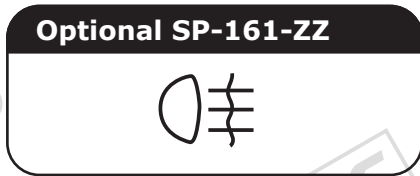
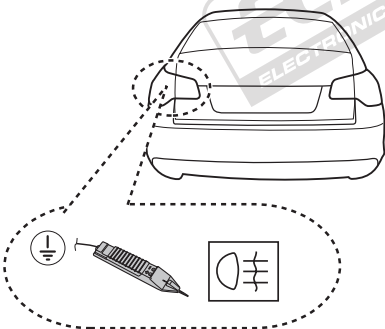


INFO SP-161-ZZ

INFO

C3 Pluriël

Optional SP-161-ZZ

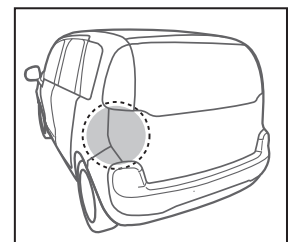
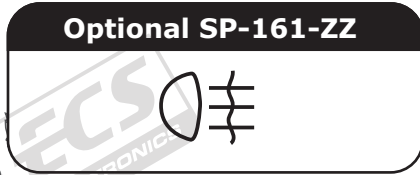
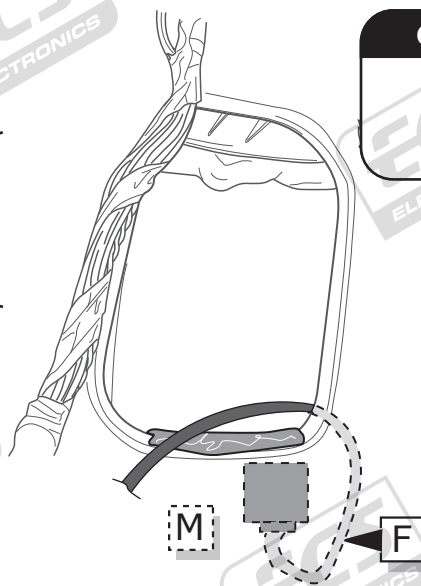
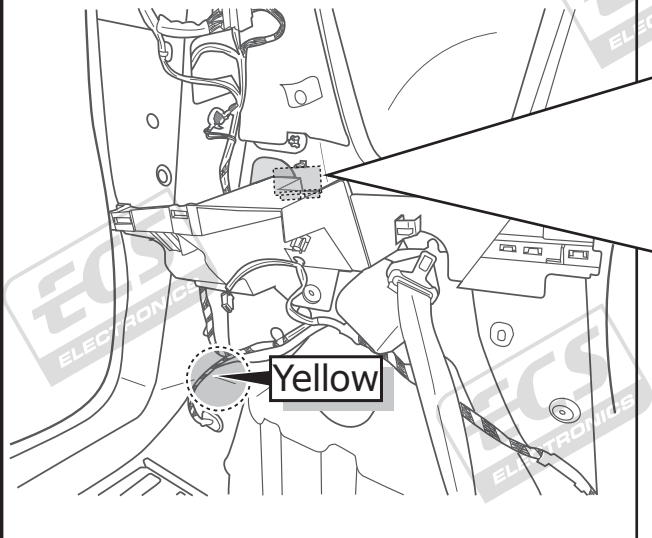


INFO SP-161-ZZ

INFO

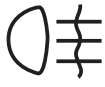
C3 Picasso

Optional SP-161-ZZ

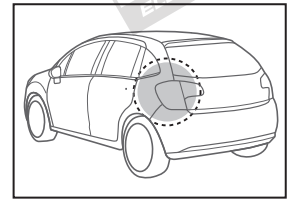
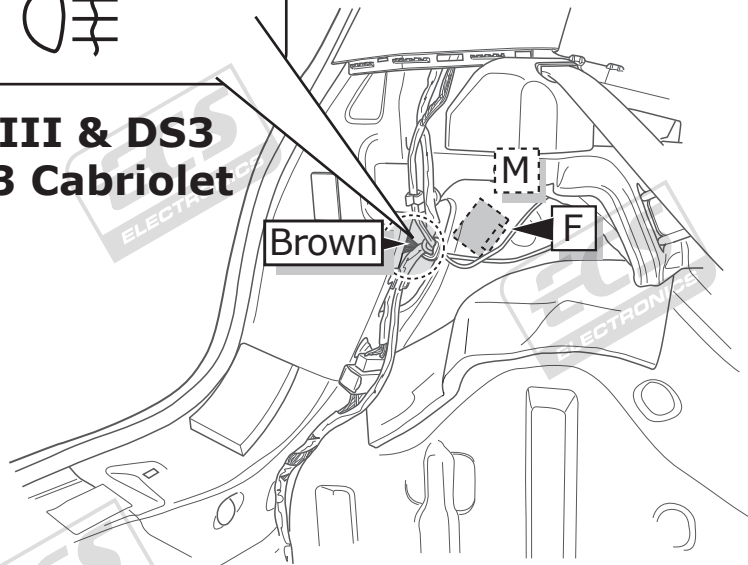


INFO

Optional SP-161-ZZ

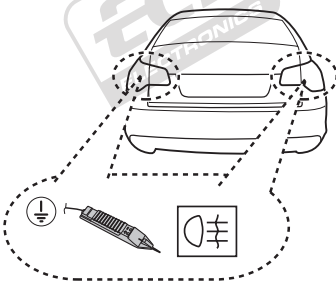


C3 III & DS3  
DS3 Cabriolet

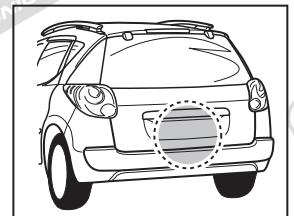
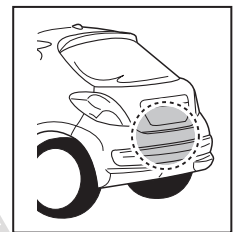
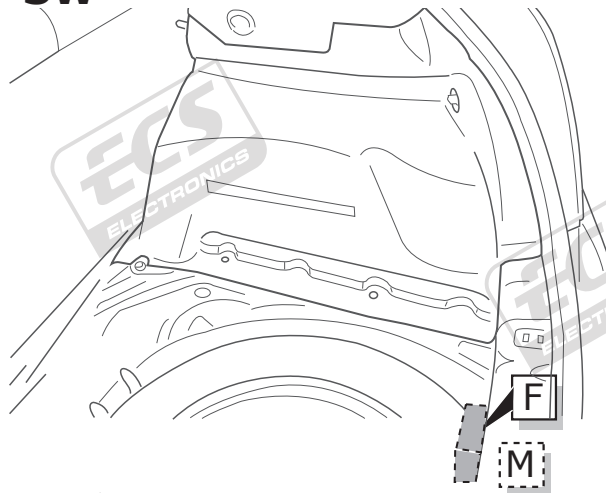


INFO

Peugeot 207 / 207 SW

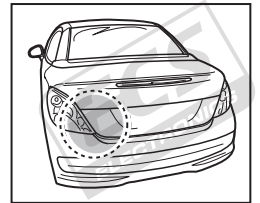
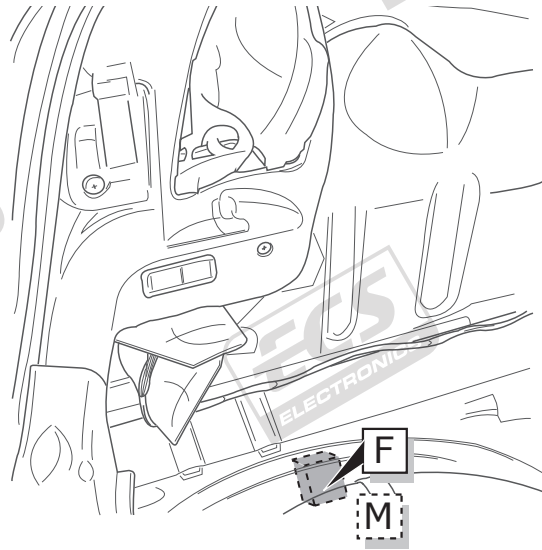
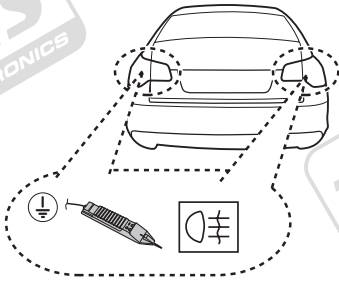


Optional SP-161-ZZ 2x!

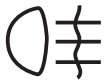


INFO

### Peugeot 207 CC

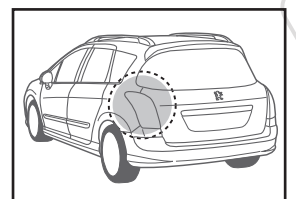
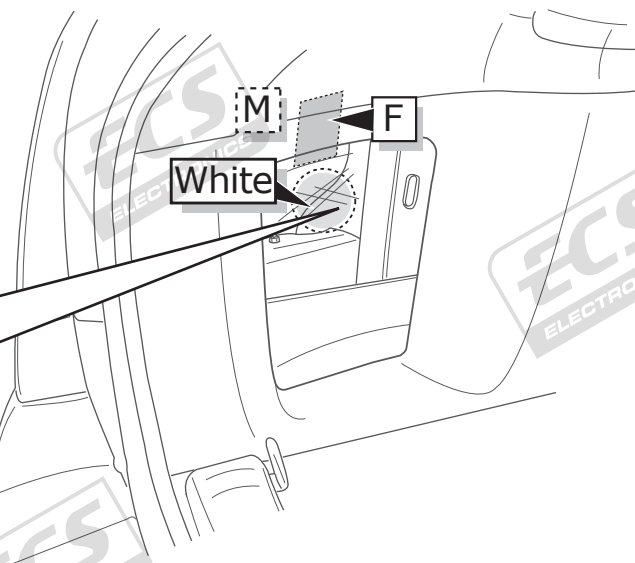


Optional SP-161-ZZ 2x!



INFO

### Peugeot 308 SW



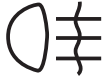
Optional SP-161-ZZ



INFO

### Peugeot 308

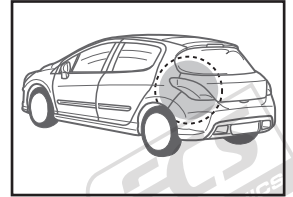
Optional SP-161-ZZ



White

F

M



INFO

### Peugeot 308 CC

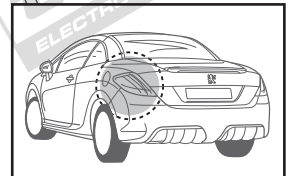
Optional SP-161-ZZ



F

M

White



INFO

### Peugeot 3008

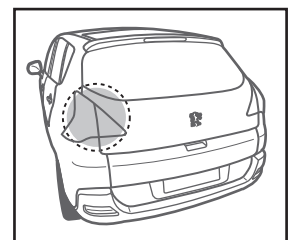
Optional SP-161-ZZ 2x!



Green+Blue

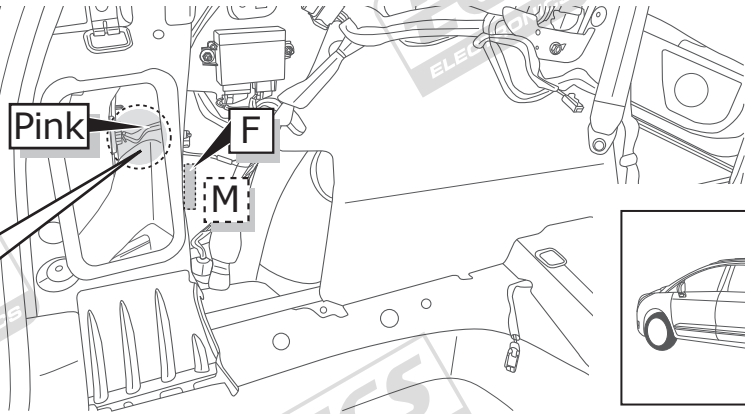
F

M

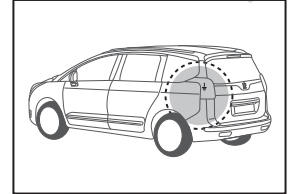


INFO

**Peugeot 5008**

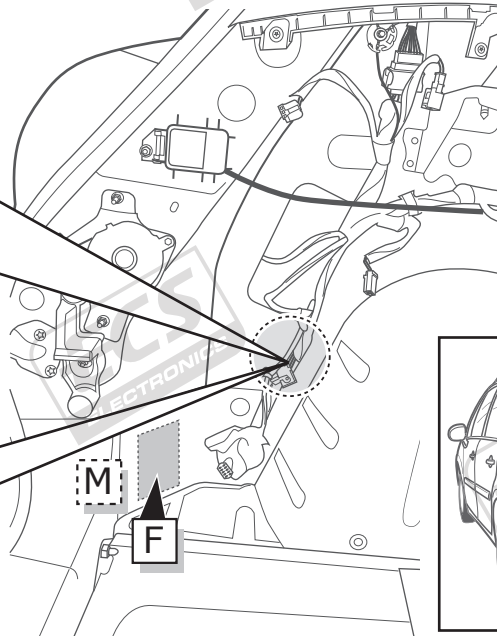
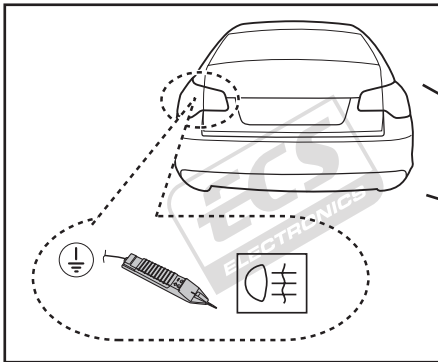


**Optional SP-161-ZZ**

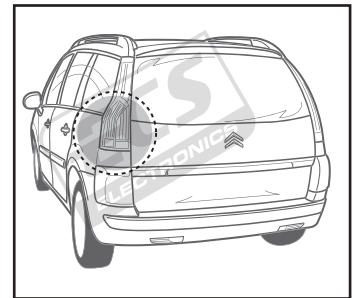


INFO

**Citroën C4 Picasso / C4 Grand Picasso**



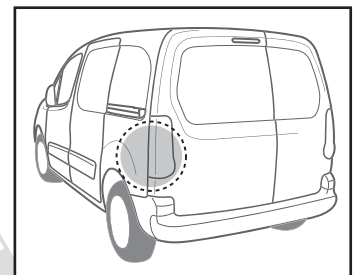
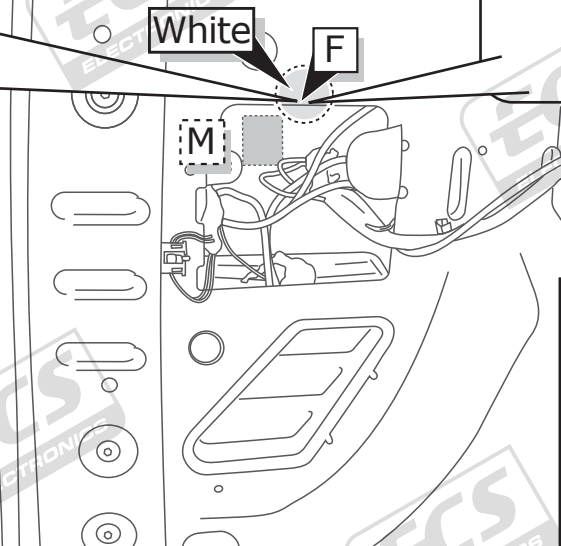
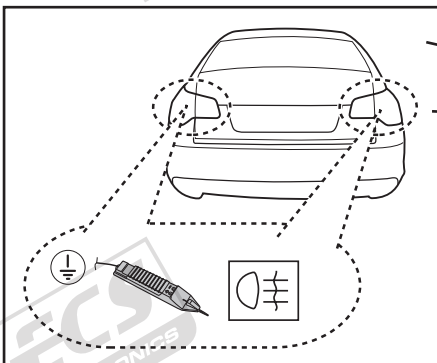
**Optional SP-161-ZZ 2x!**





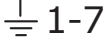




INFO

**Citroën Berlingo / Peugeot Partner**

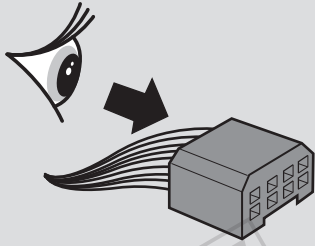
**Optional SP-161-ZZ 2x!**



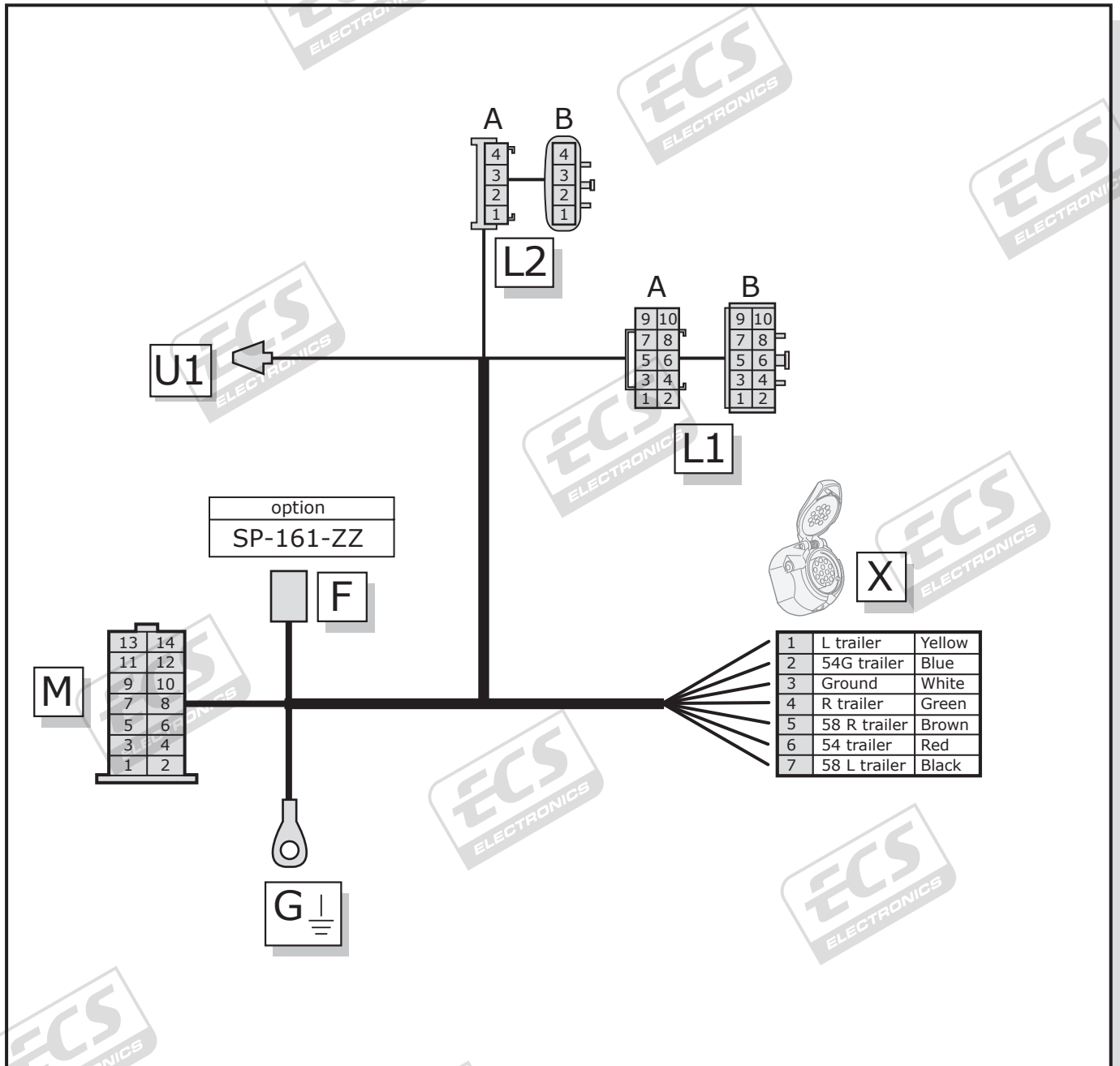
SOCKET CONNECTION

DIN/ISO 1724			 1-7				
	1/L	2	3/31	4/R	5/58-R	6/54	7/58-L
Pmax	21W	21W		21W	42W	3x21W	42W
Colour	Yellow	Blue	White	Green	Brown	Red	Black

# INFO POWER SCHEDULE CT-050-B1U



L		54	
R		54G	
58L		BU	
58R		Ground/31	



# INFO POWER SCHEDULE CT-050-B1U

<b>M</b>	1	Red	54 trailer	out
	2	Orange	+30 (12 V)	in
	3	Red/White	R	in
	4	Yellow	L trailer	out
	5	BlueRed	54	in
	6	Black	58 L trailer	out
	7	Orange	CAN L	in
	8	White	Ground	-
	9	Bronw	CAN H	in
	10	Green	R trailer	out
	11	Blue	54G trailer	out
	12	Brown	58 R trailer	out
	13	BlackRed	BUT	out
	14	Orange	+30	in

<b>G</b>	1	White	Ground	-
----------	---	-------	--------	---

<b>F</b>	1	Blue	54G trailer	out	OPTION: SP-161-ZZ
----------	---	------	-------------	-----	-------------------

<b>L1</b>	<b>A</b>			
	1	Green	-	-
	2	Green	CAN L	-
	3	Green	-	-
	4	Green	-	-
	5	Green	-	-
	6	Green	CAN H	-
	7	Green	-	-
	8	Green	-	-
	9	Green	-	-
	10	Green	-	-

	<b>B</b>			
	1	Green	-	-
	2	Orange+Green	CAN L	in
	3	Green	-	-
	4	Green	-	-
	5	Green	-	-
	6	Brown+Green	CAN H	in
	7	Green	-	-
	8	Green	-	-
	9	Green	-	-
	10	Green	-	-

<b>L2</b>	<b>A</b>			
	1	Green	-	-
	2	Green	-	-
	3	Green	54	-
	4	Green	-	-

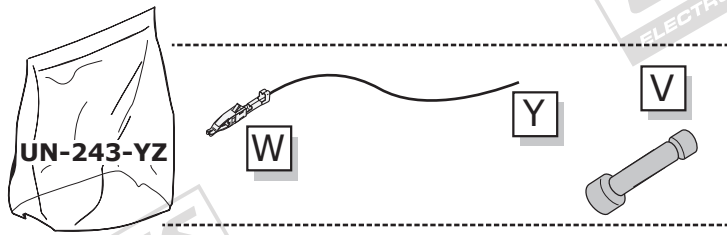
	<b>B</b>			
	1	Green	-	-
	2	Green	-	-
	3	Green+BlueRed	54	in
	4	Green	-	-

<b>U1</b>	1	Orange	+30	in
-----------	---	--------	-----	----

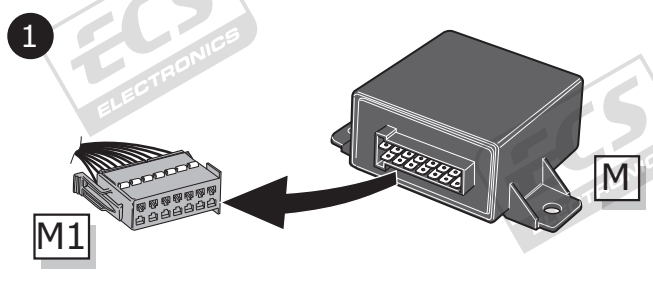
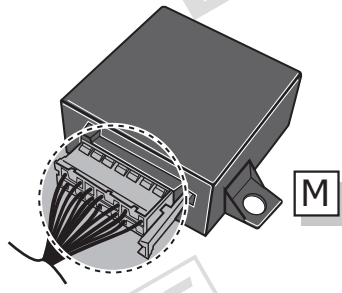


# UN-243-YZ Reverse lamp pre-wire extension

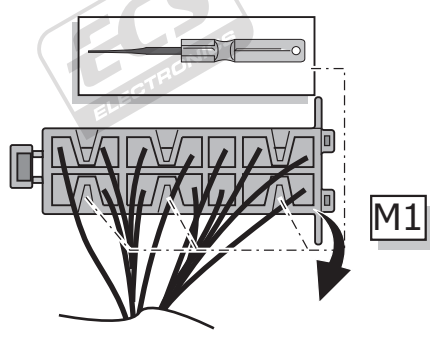
⚠ MAX = 21W



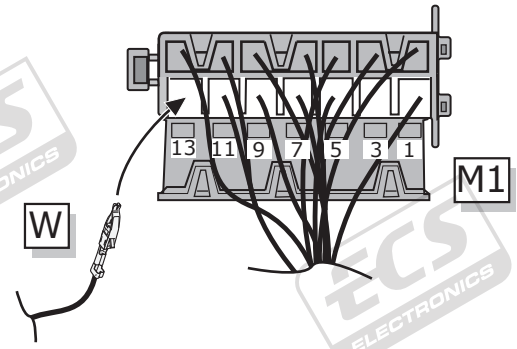
**A**



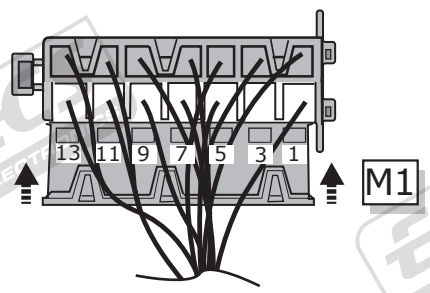
**2**



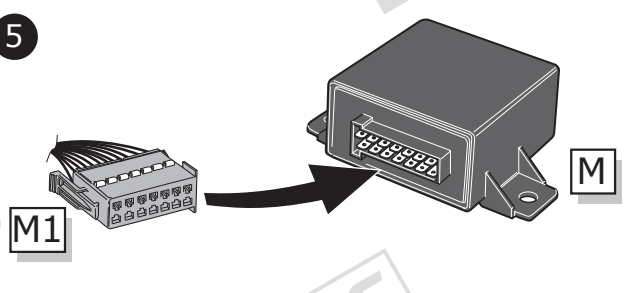
**3**



**4**



**5**



**B**

⚠ MAX = 21W

