

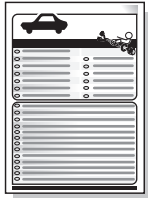
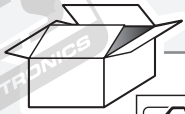
## Citroën C5 10/2008- (Production Nr. 11679-)

Partnr.: CT-046-B1U

- Fitting instructions electric wiring kit tow bar with 12-N socket up to DIN/ISO Norm 1724.
- We would expressly point out that assembly not carried out properly by a competent installer will result in cancellation of any right to damage compensation, in particular those arising by virtue of the product liability act.
- Contents of these kits and their fitting manuals are subject to alteration without notice, please ensure that these instructions are read and fully understood before commencing installation.
- Do not overload circuits; the maximum loads per connection are detailed in this manual.
- Attention! Before Installation, please read this manual carefully and inform your customer to consult the vehicle owners manual to check for any vehicle modifications required before towing.
- In the event of functional problems, troubleshooting must be limited to about 0.5 hours, contact the technical support:  
[t.skinner@ecs-electronics.com](mailto:t.skinner@ecs-electronics.com) / 07440 202 052.



# Part list



M

L2

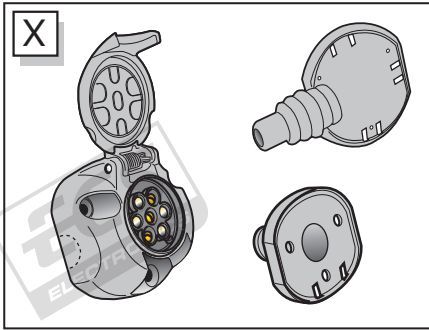
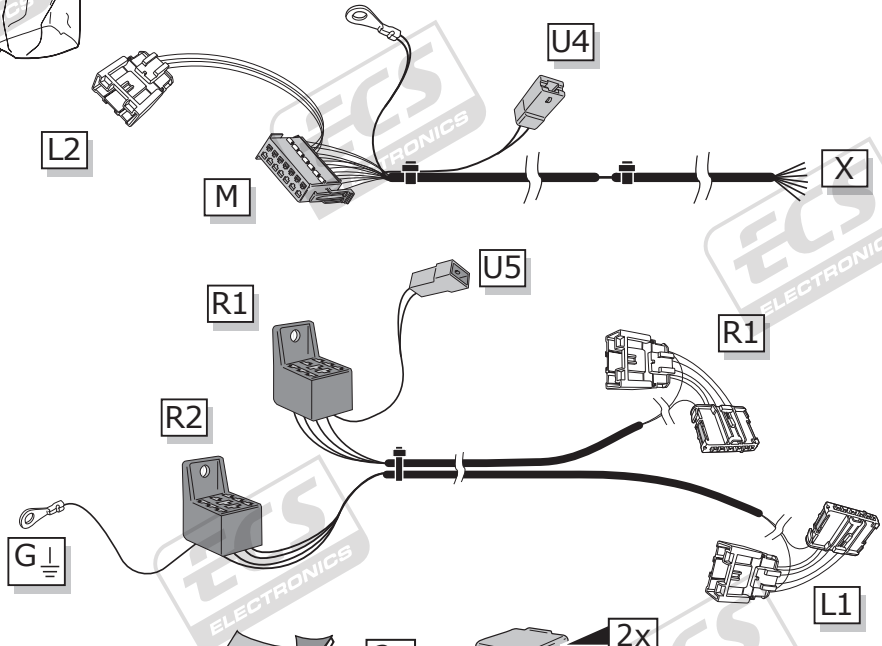
M

U4

X

**UN-243-YZ**  
 Optional reverse lamp  
 pre-wire extension included

Pag. 11



X

**OPTION V6 HDI**

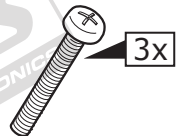
U1 U2 U3

3x

2x

L1

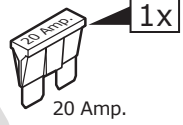
8x



3x

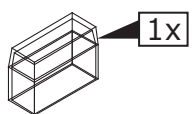


3x



1x

20 Amp.

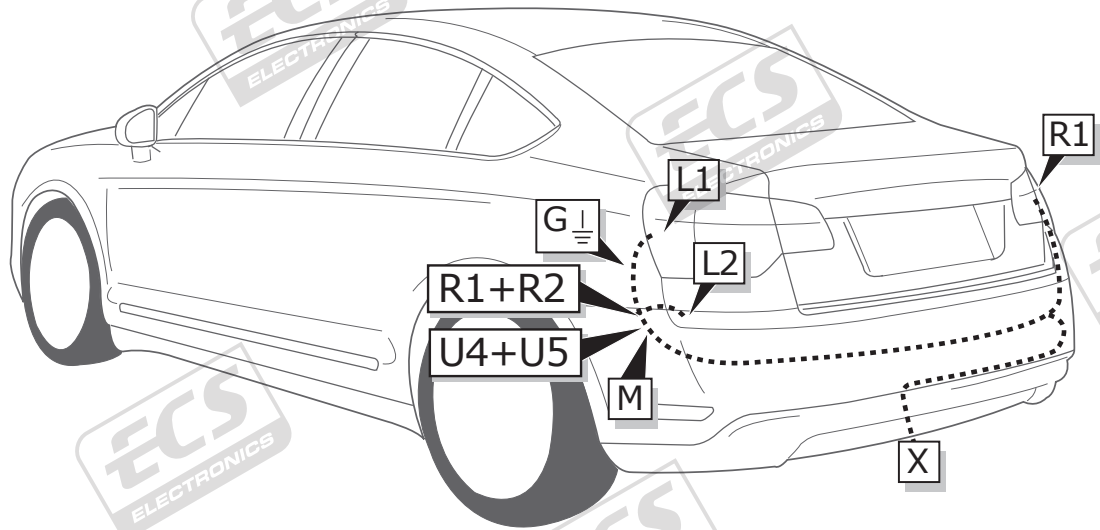


1x



1x

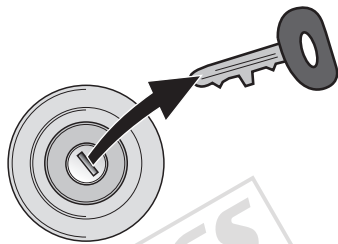
**ROUTING**



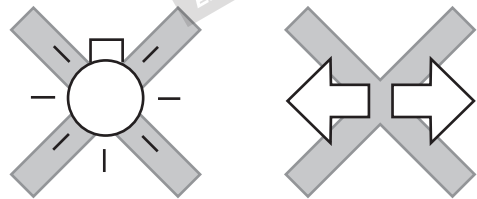
**1**



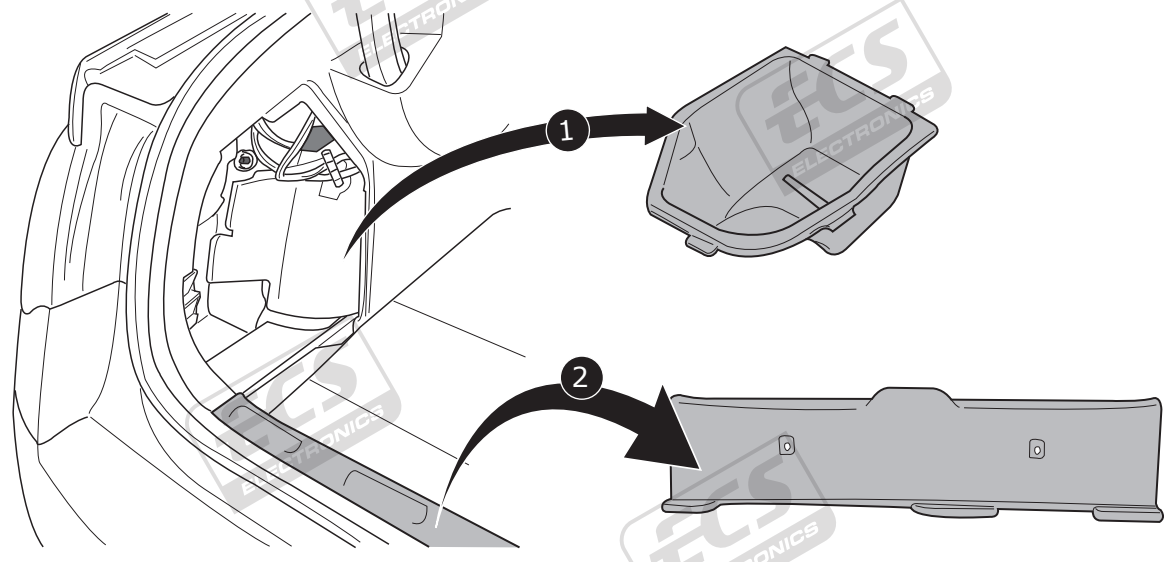
**1**



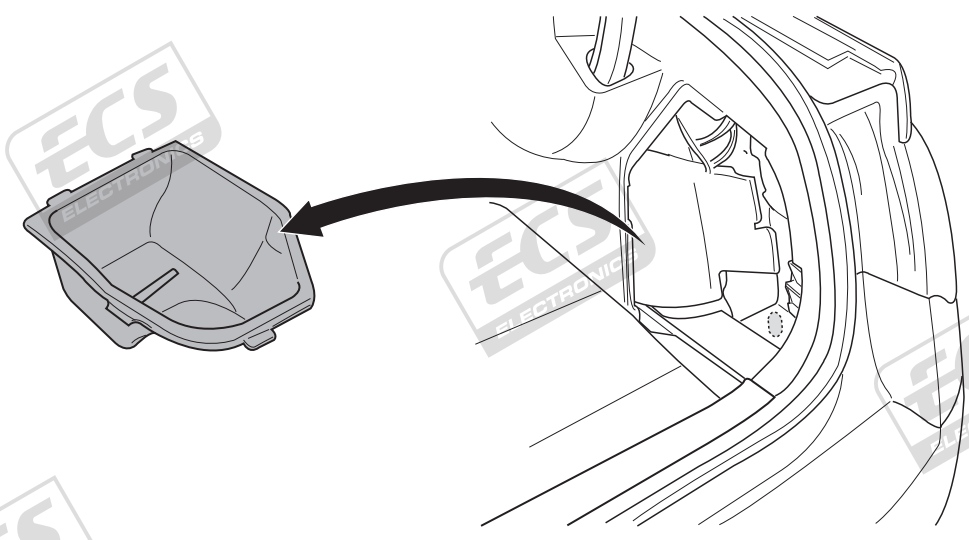
**2**



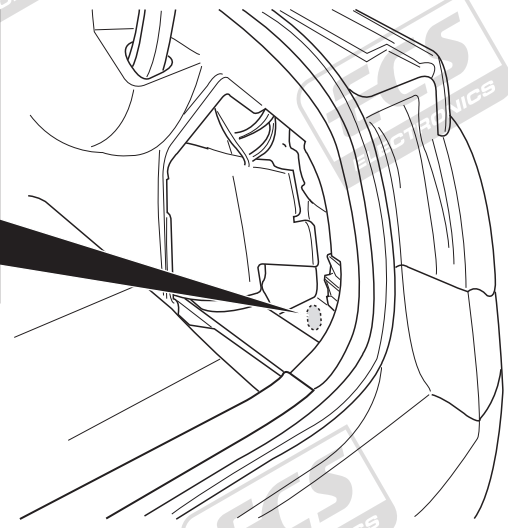
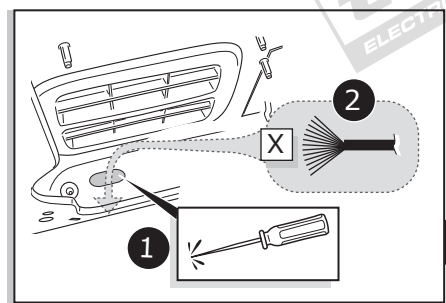
2

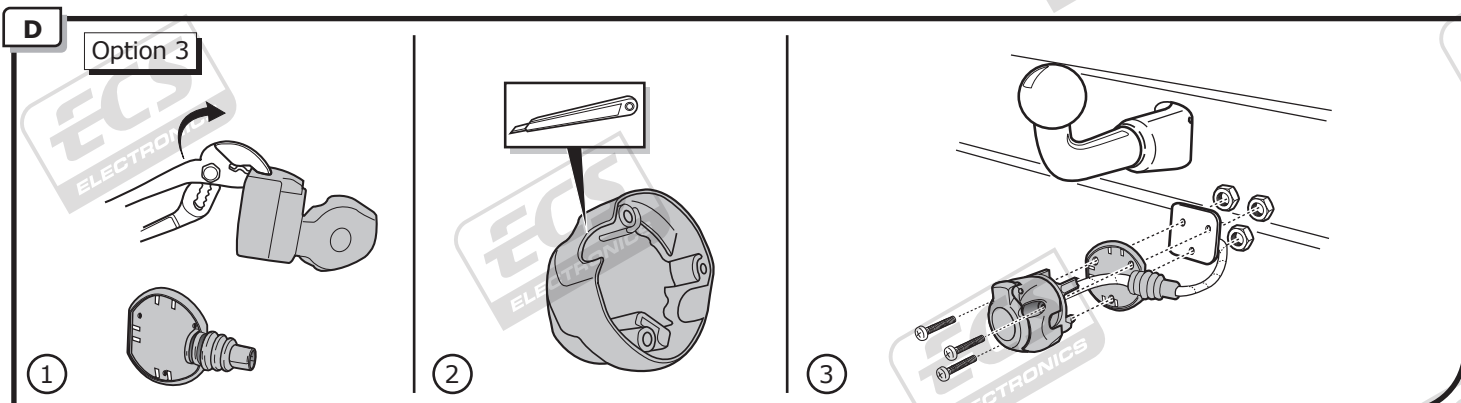
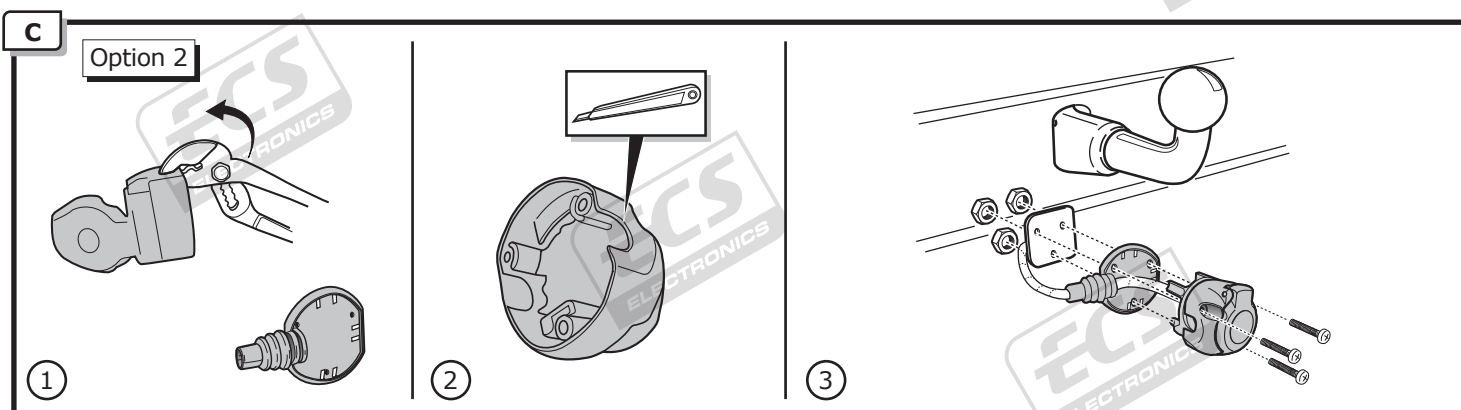
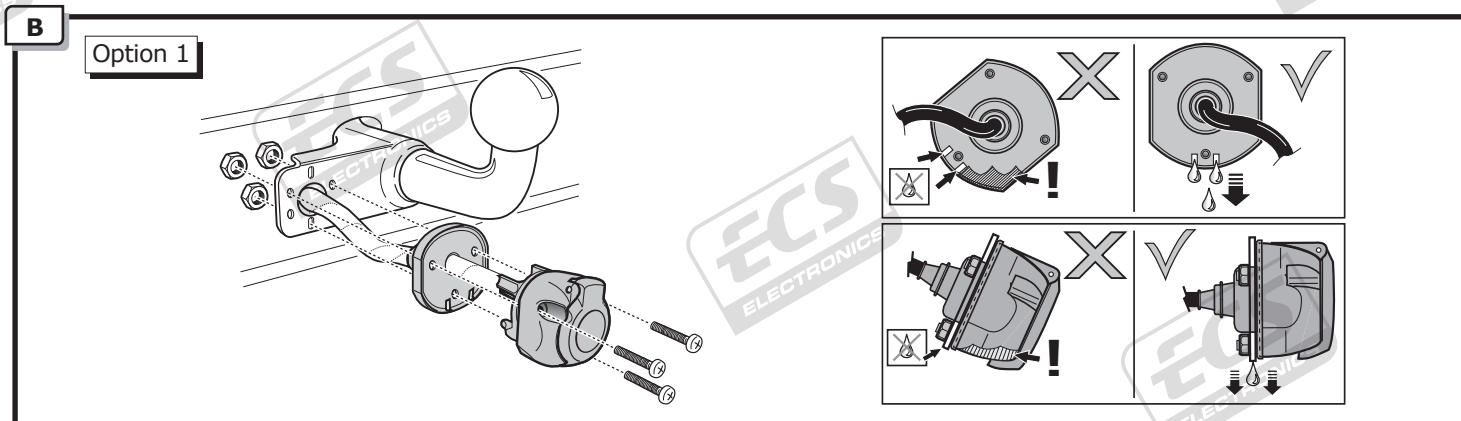
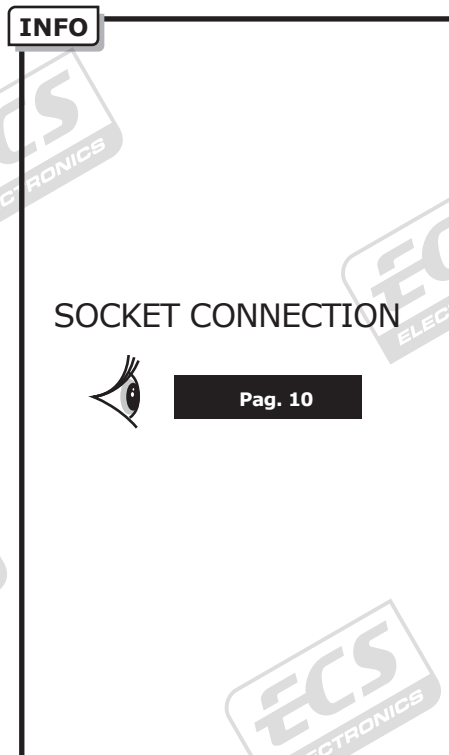
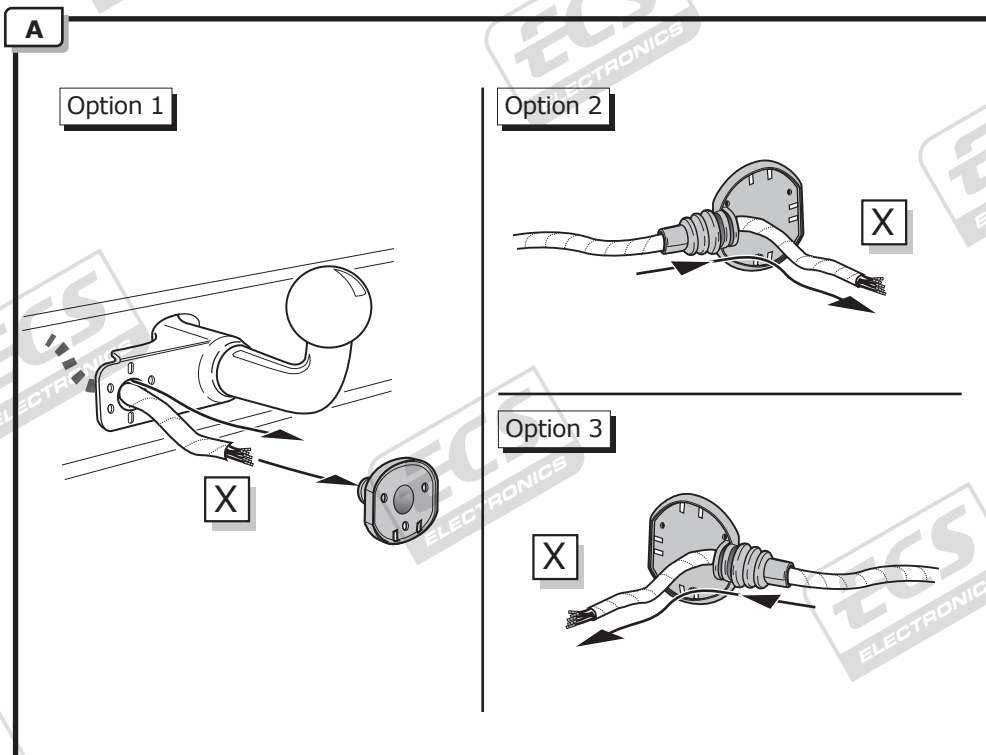


3



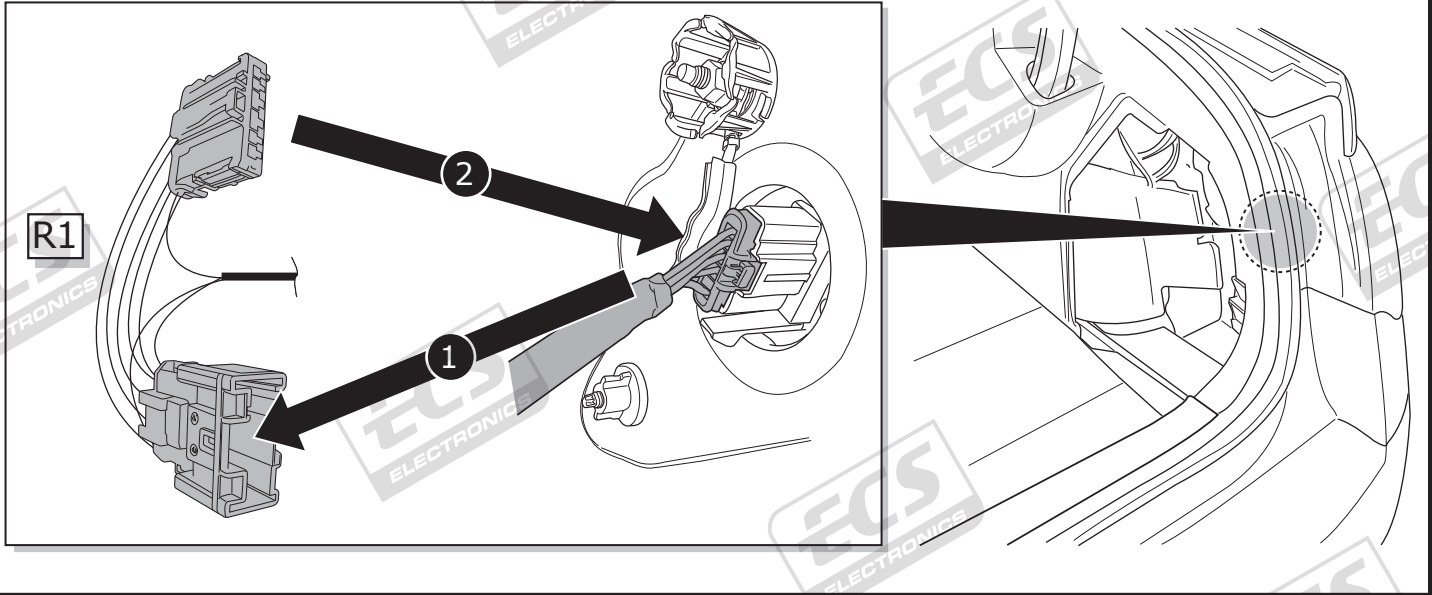
4



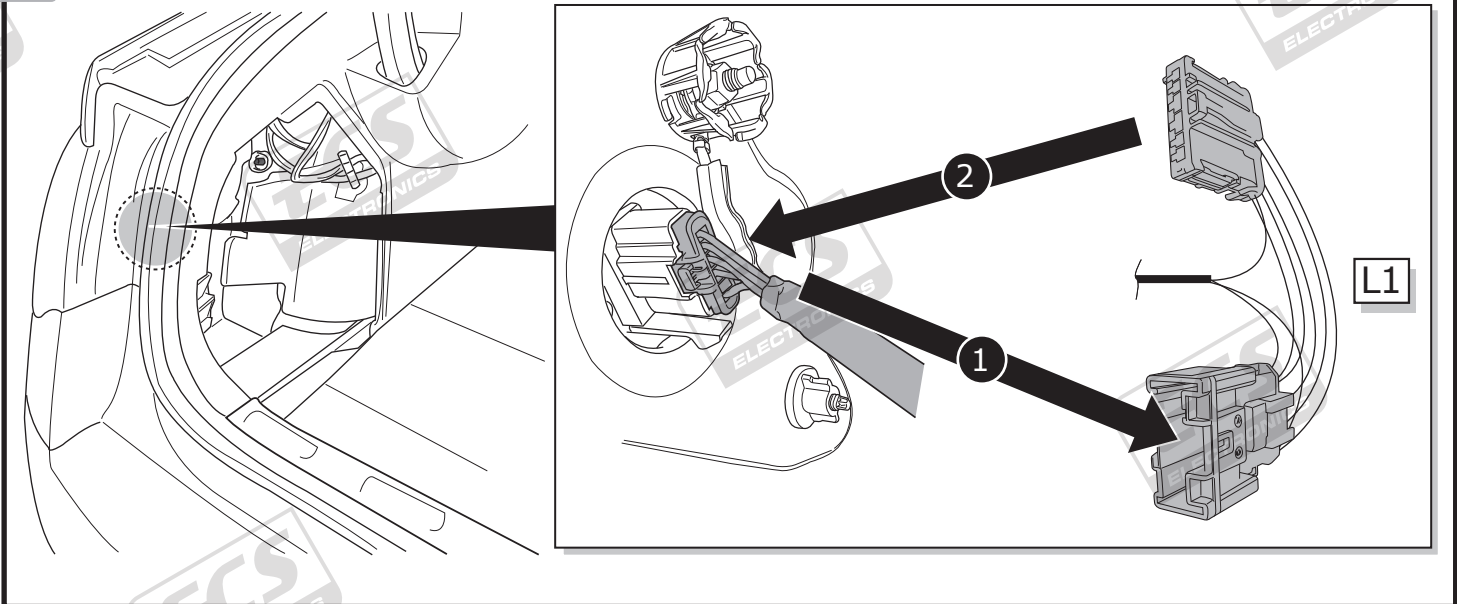




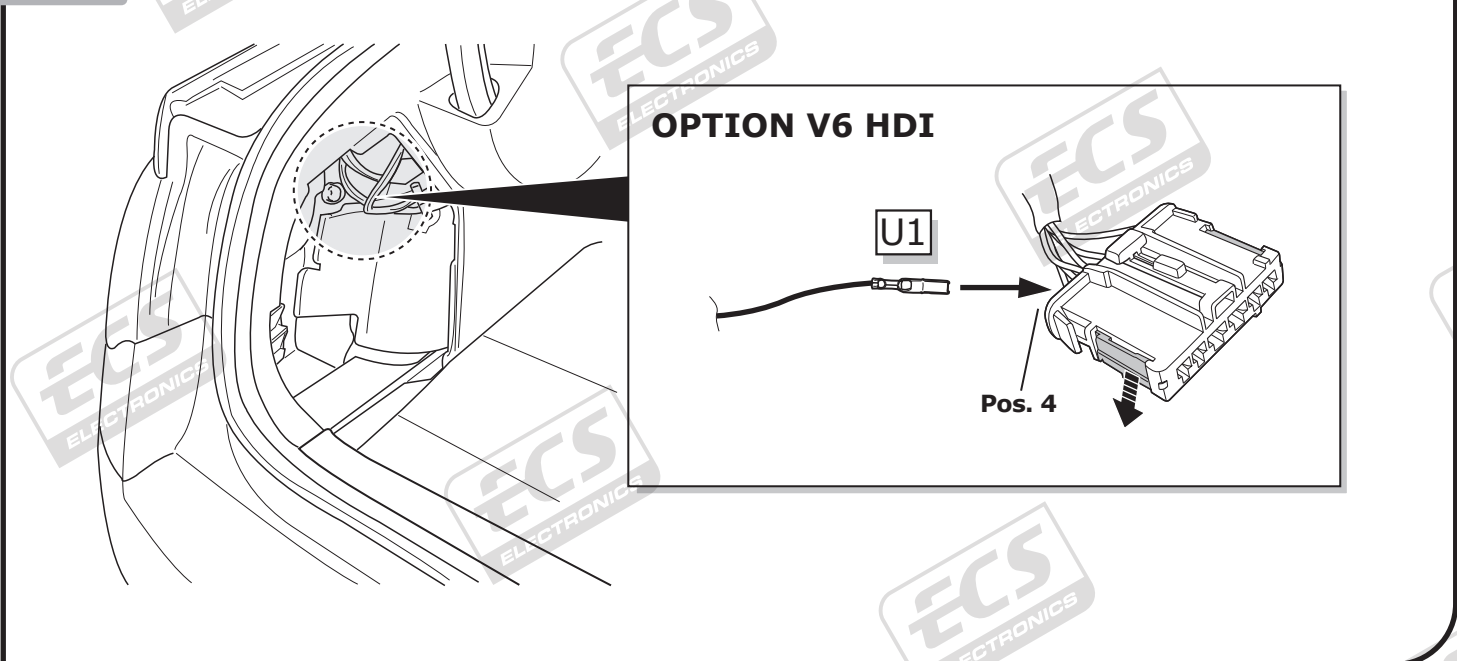
5

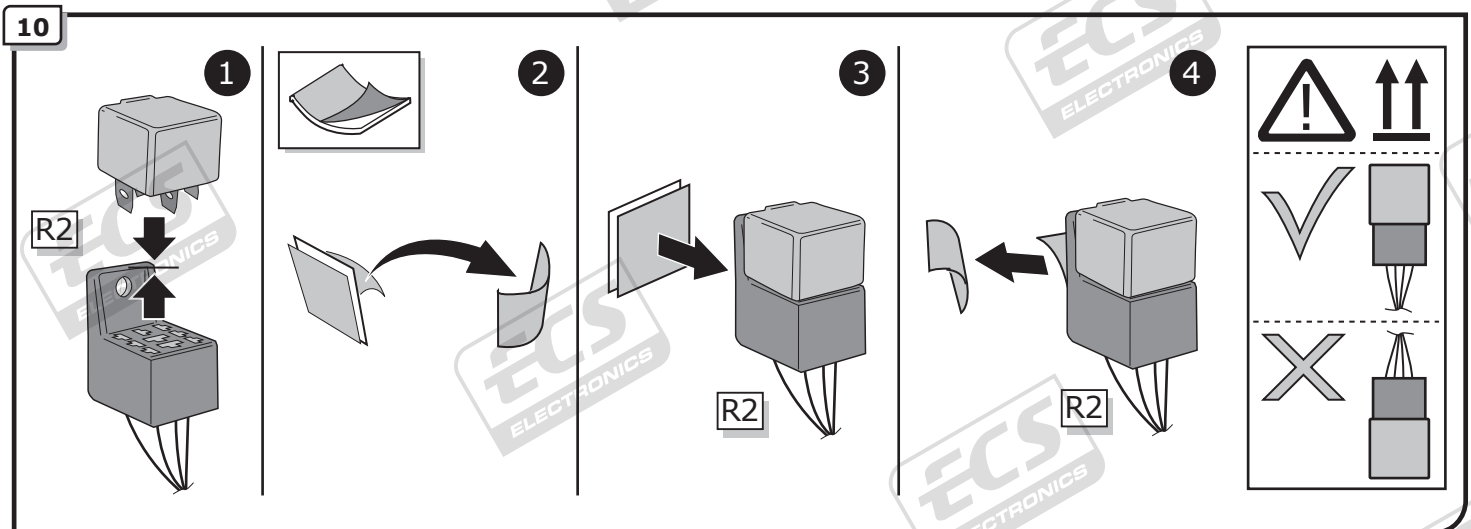
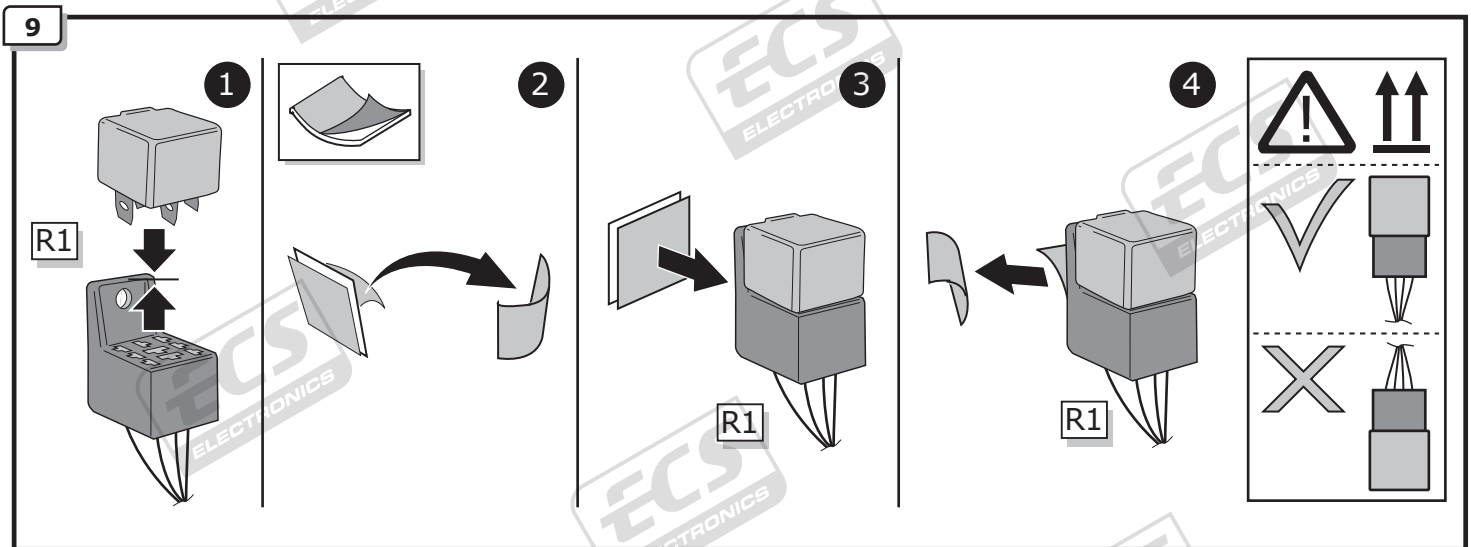
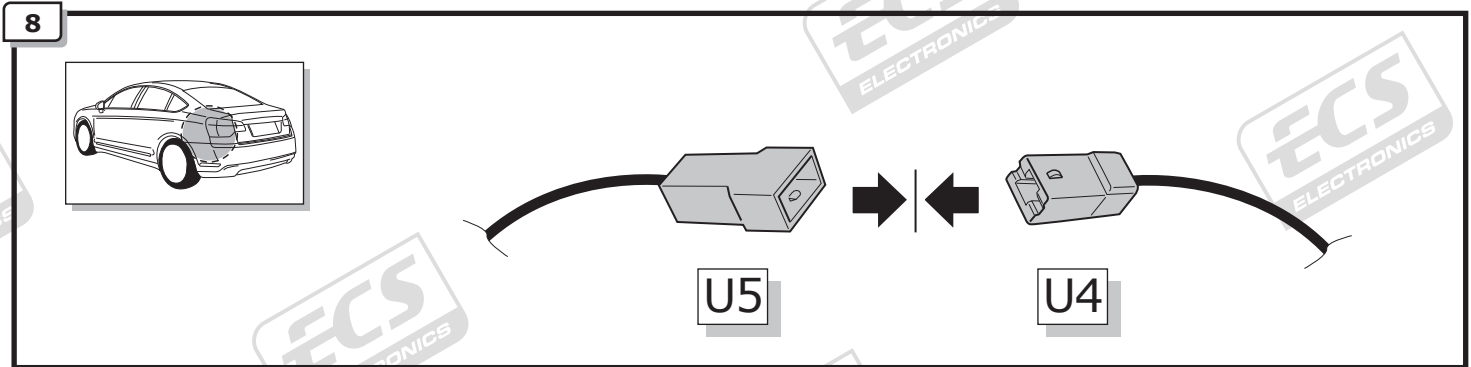
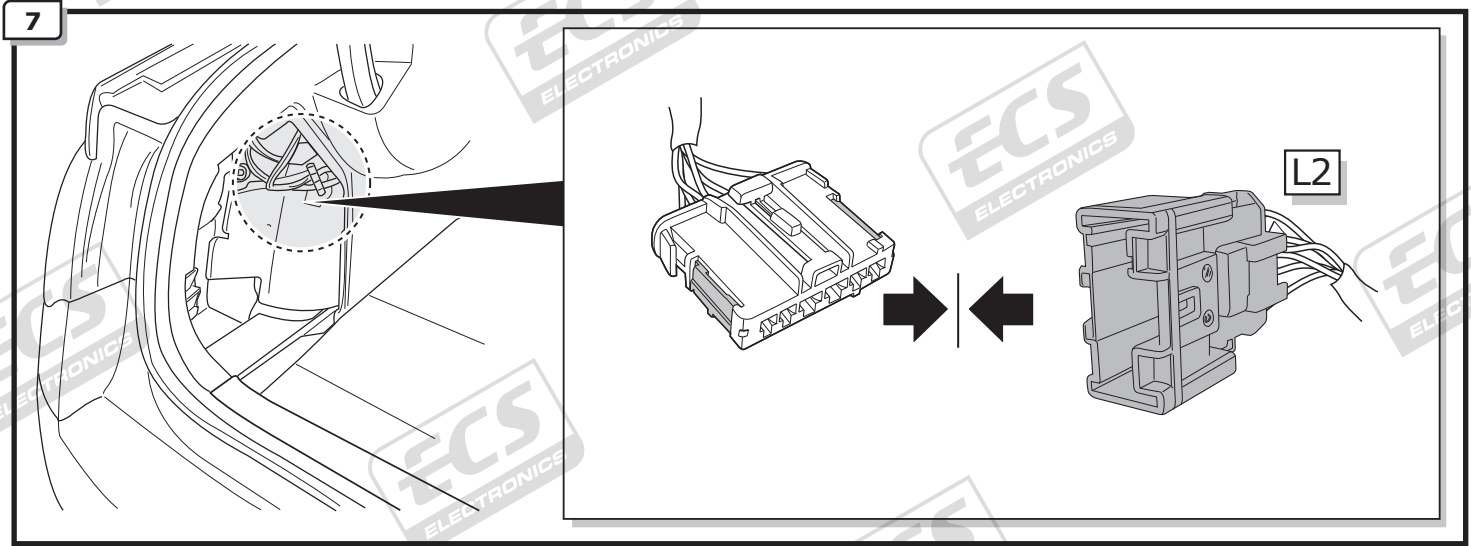


6

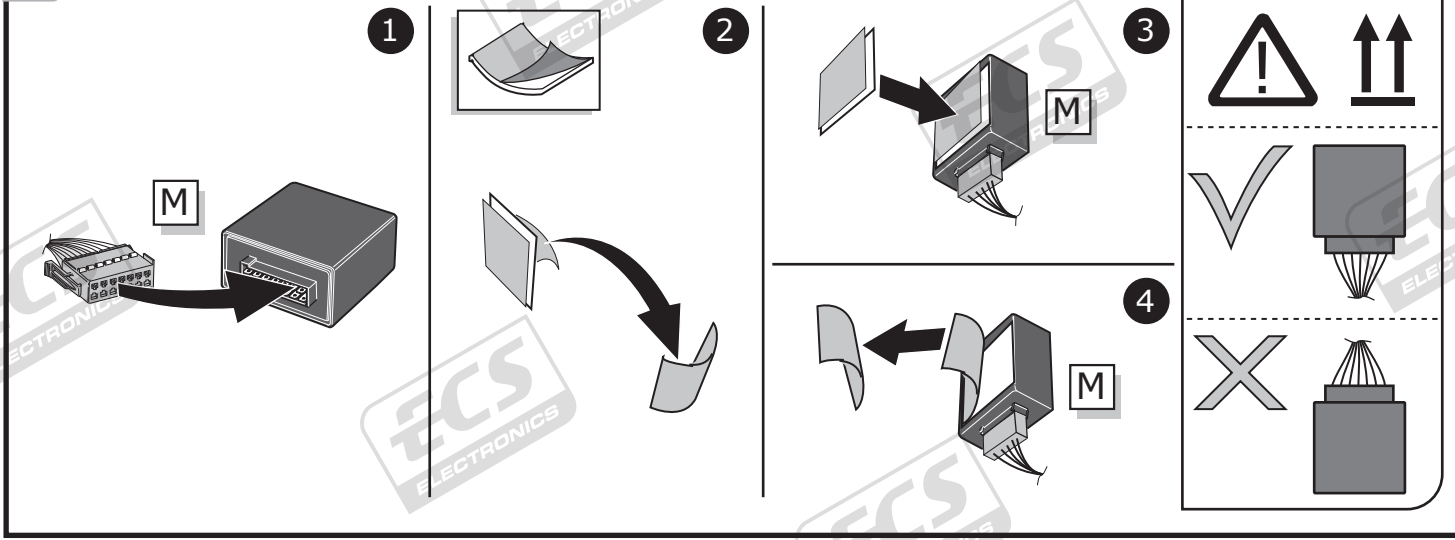


**OPTION**

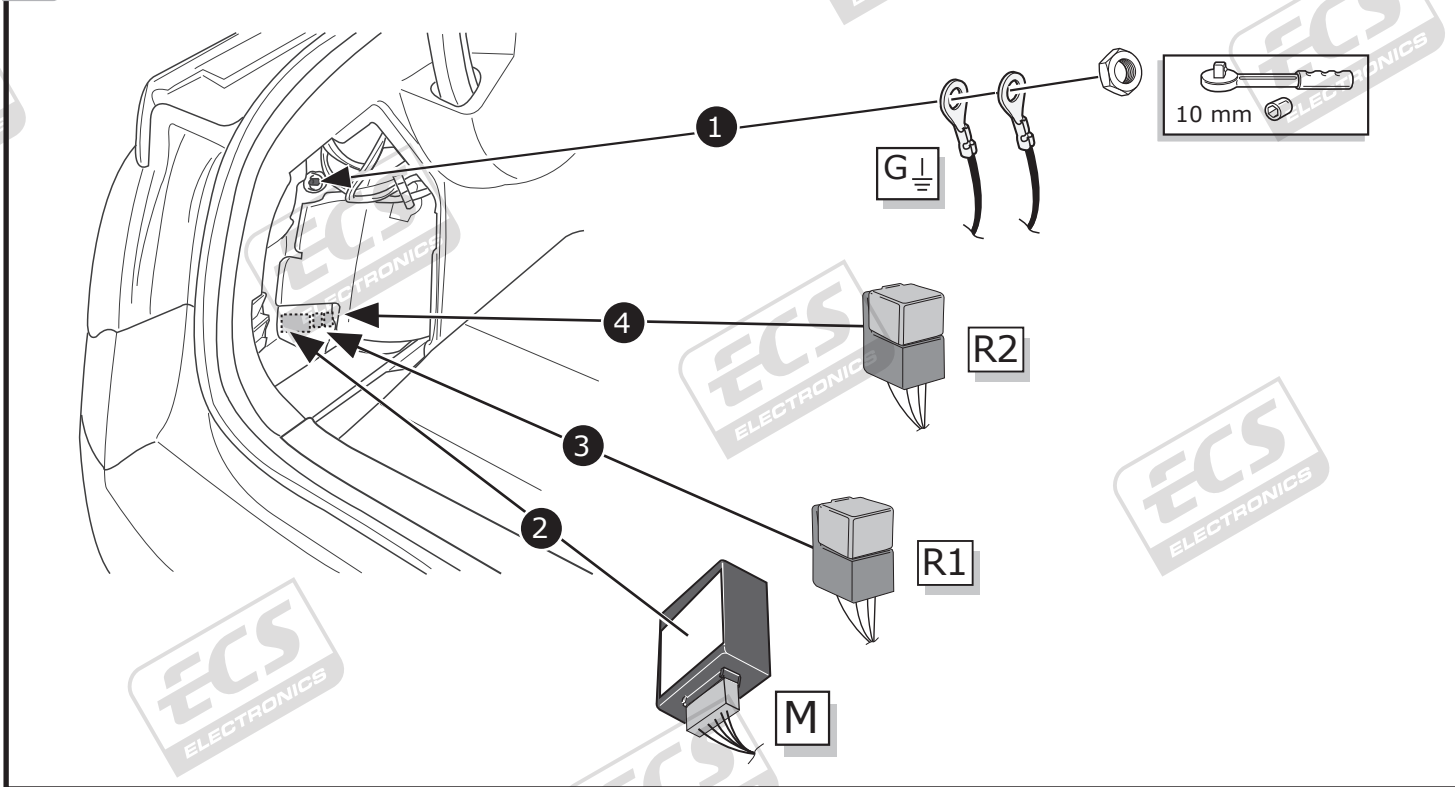




11

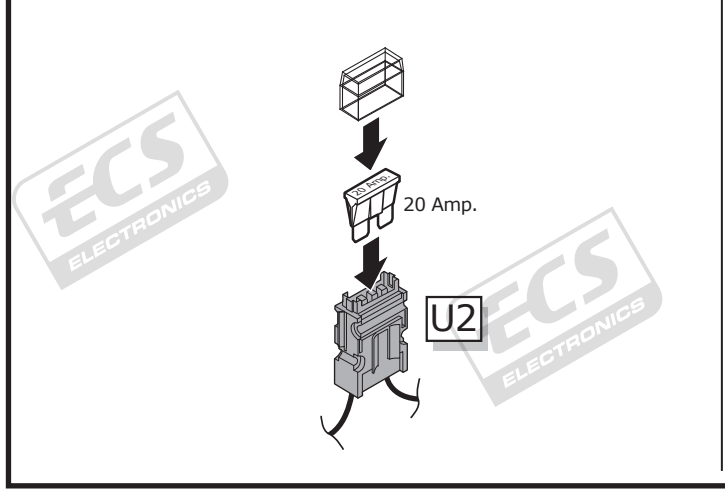


12

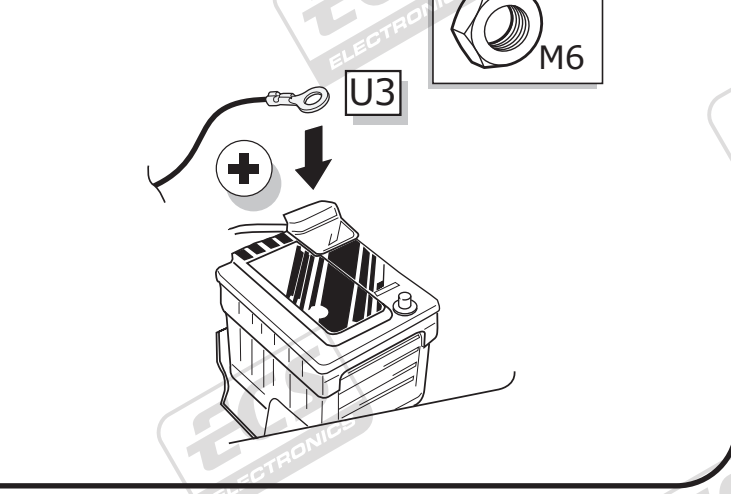


INFO

OPTION V6 HDI



OPTION V6 HDI



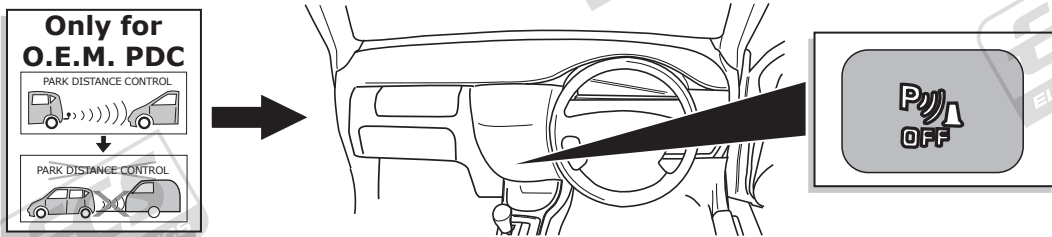


TEST ALL THE CIRCUITS WITH A TEST DEVICE WITH THE CORRECT POWER LOAD FOR EACH FUNCTION. A TEST DEVICE WITH LED'S CANNOT BE USED FOR THIS PURPOSE.

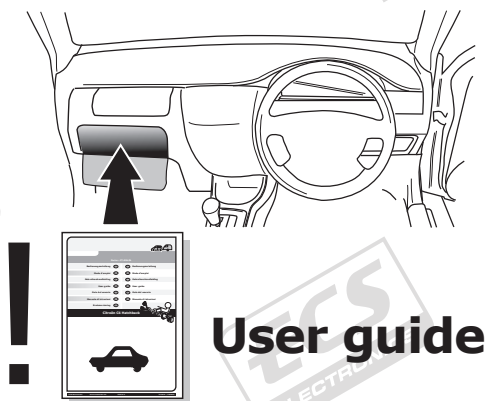
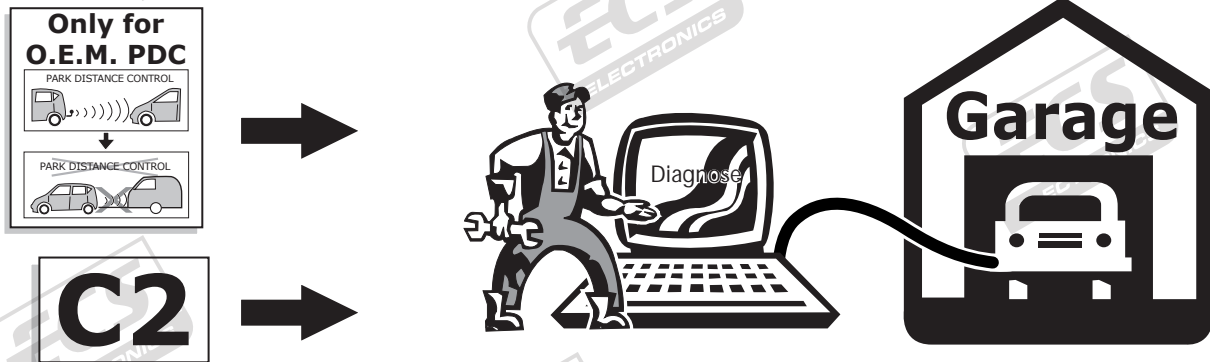
INFO

REINSTALL TRIM.

INFO



INFO





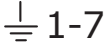




**TECHNICAL SUPPORT**

**CALL 07440 202 052**

**ECS ELECTRONICS**

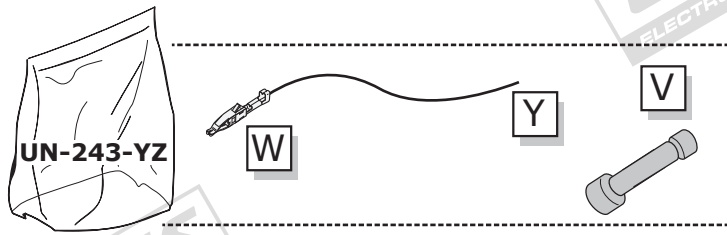
MONDAY TO FRIDAY  
08.00 - 11.00 am  
12.00 - 05.00 pm  
t.skinner@ecs-electronics.com  
www.ecs-electronicsuk.co.uk

SOCKET CONNECTION

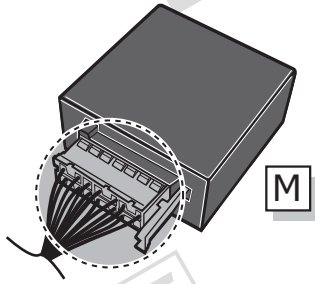
DIN/ISO 1724			 1-7				
	1/L	2	3/31	4/R	5/58-R	6/54	7/58-L
Pmax	21W	2x21W		21W	52W	3x21W	52W
Colour	Yellow	Blue	White	Green	Brown	Red	Black

# UN-243-YZ Reverse lamp pre-wire extension

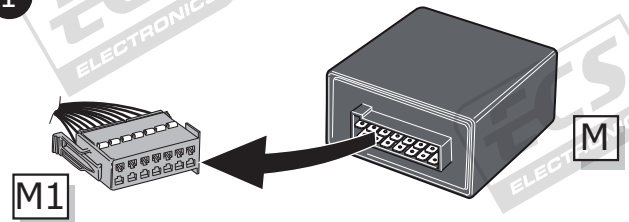
⚠ MAX = 21W



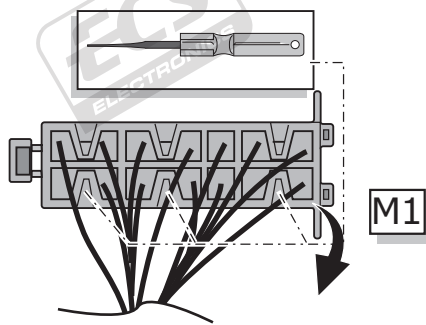
**A**



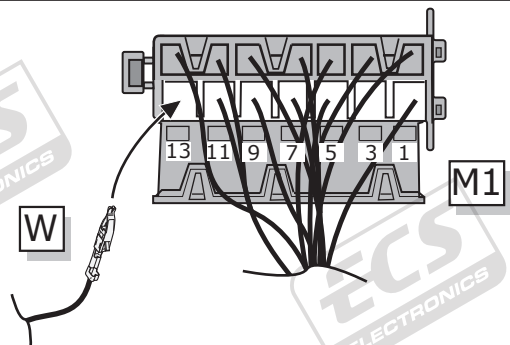
**1**



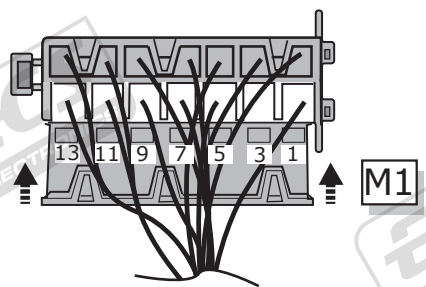
**2**



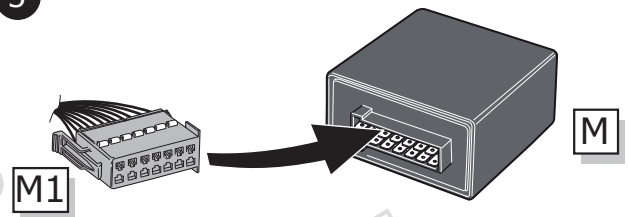
**3**



**4**



**5**



**B**

⚠ MAX = 21W

