

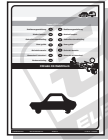
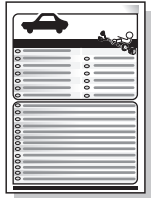
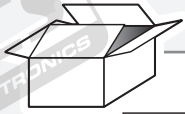
Jeep Cherokee KL 2014-

Partnr.: CR-069-BXU

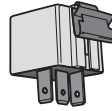
- Fitting instructions electric wiring kit tow bar with 12-N socket up to DIN/ISO Norm 1724.
- We would expressly point out that assembly not carried out properly by a competent installer will result in cancellation of any right to damage compensation, in particular those arising by virtue of the product liability act.
- Contents of these kits and their fitting manuals are subject to alteration without notice, please ensure that these instructions are read and fully understood before commencing installation.
- Do not overload circuits; the maximum loads per connection are detailed in this manual.
- Attention! Before Installation, please read this manual carefully and inform your customer to consult the vehicle owners manual to check for any vehicle modifications required before towing.
- In the event of functional problems, troubleshooting must be limited to about 0.5 hours, contact the technical support:
t.skinner@ecs-electronics.com / 07440 202 052.



Part list



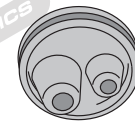
L3



2x

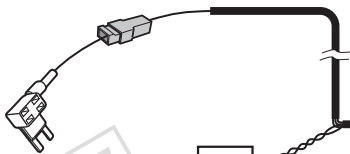


G



T

R



L1

L2

T

X

Optional UN-243-YZ

Reverse lamp pre-wire extension



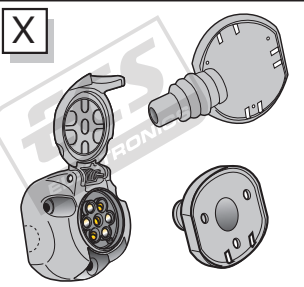
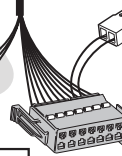
Pag. 13

L3

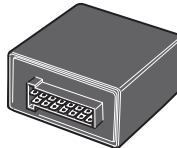


M

B



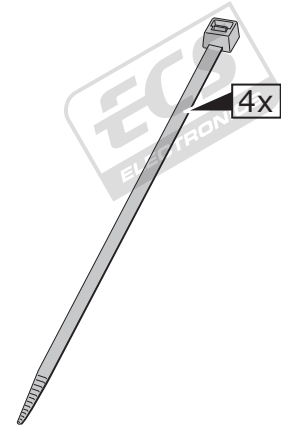
X



M



B



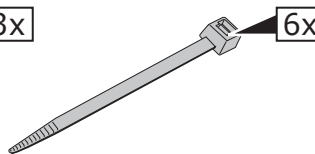
4x



3x



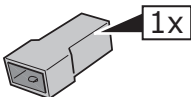
3x



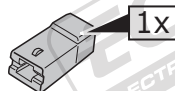
6x

1x

20 Amp. minifuse



1x



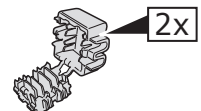
1x



1x

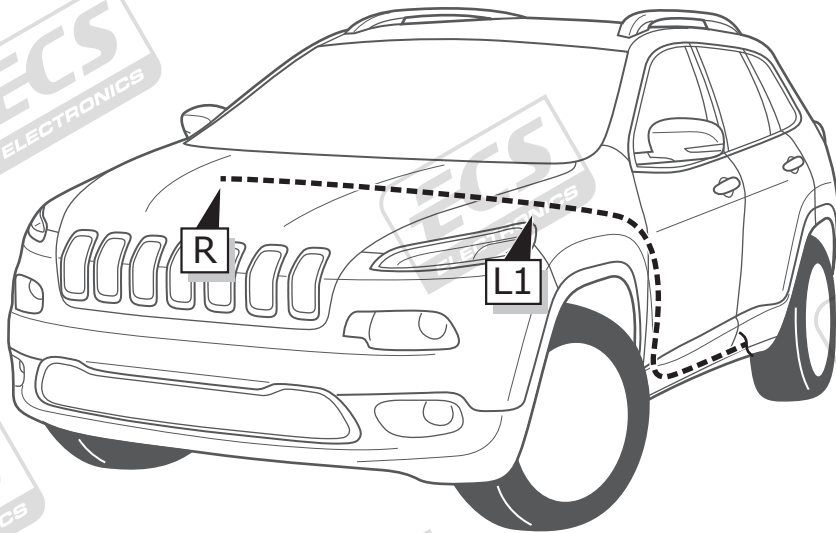
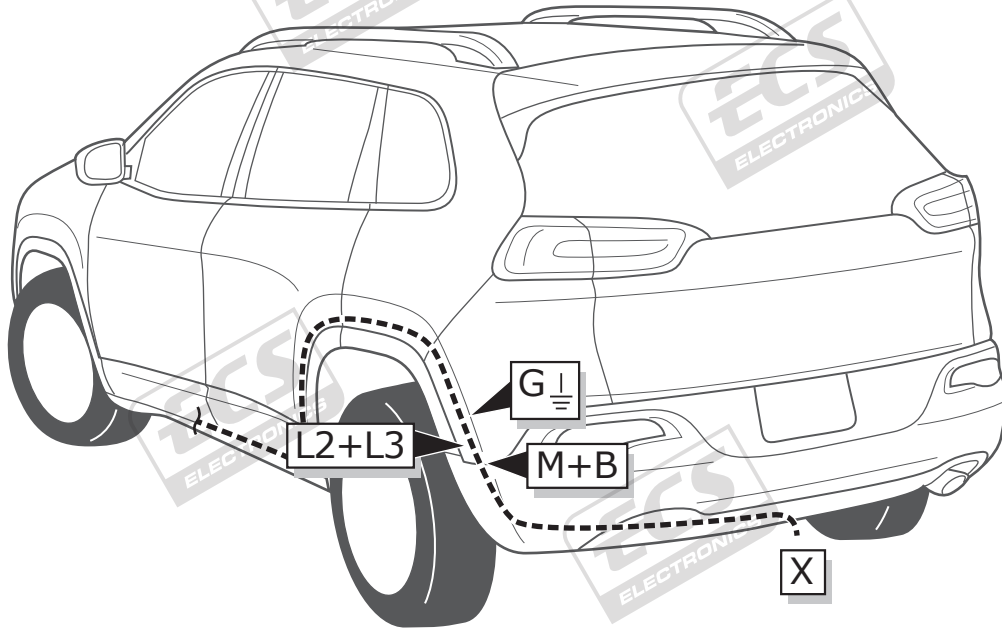


1x

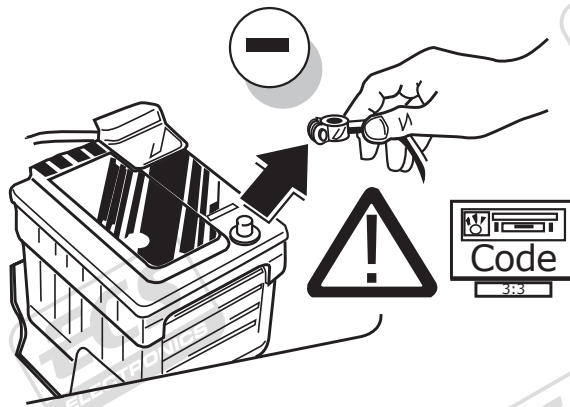


2x

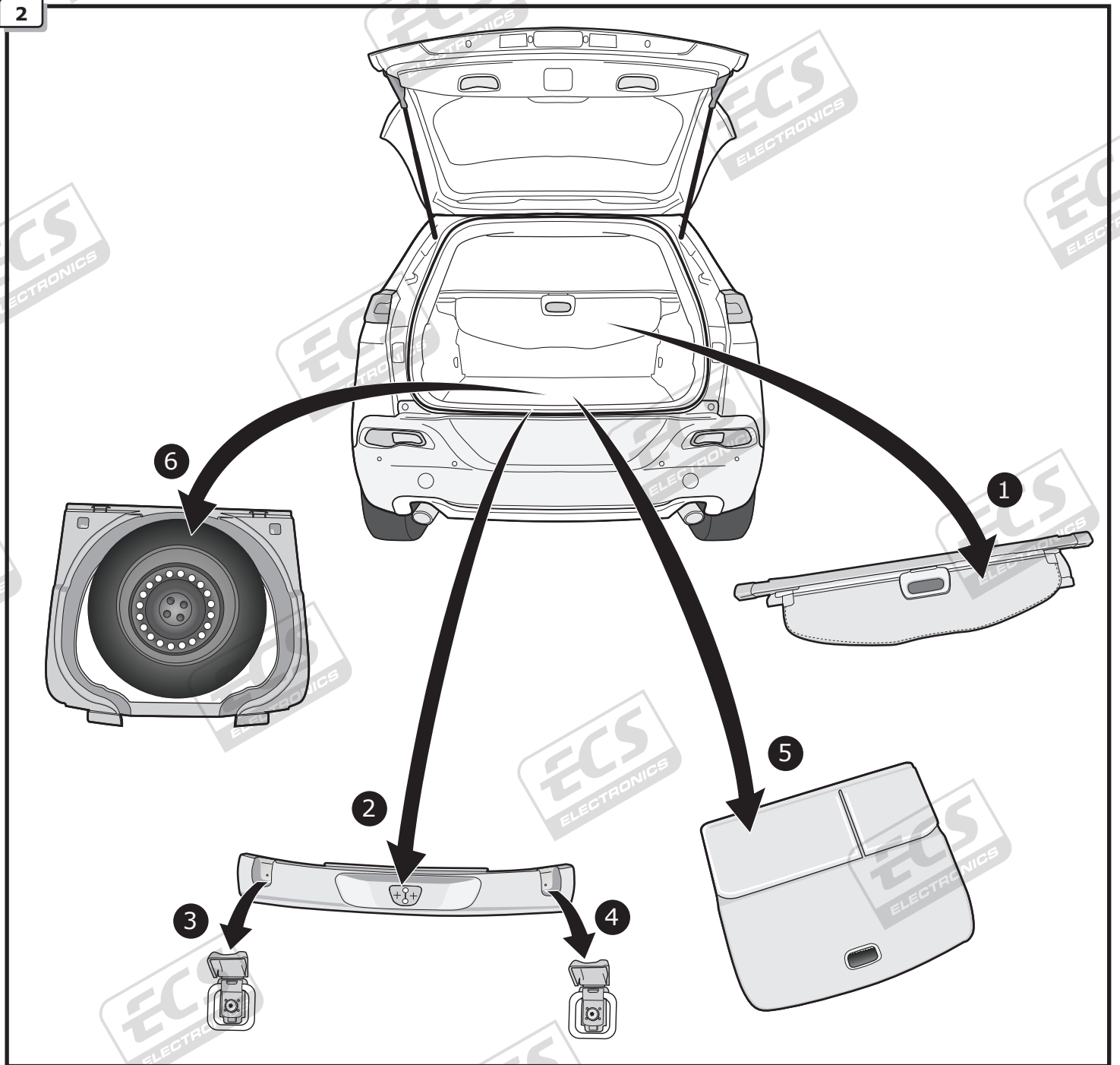
ROUTING



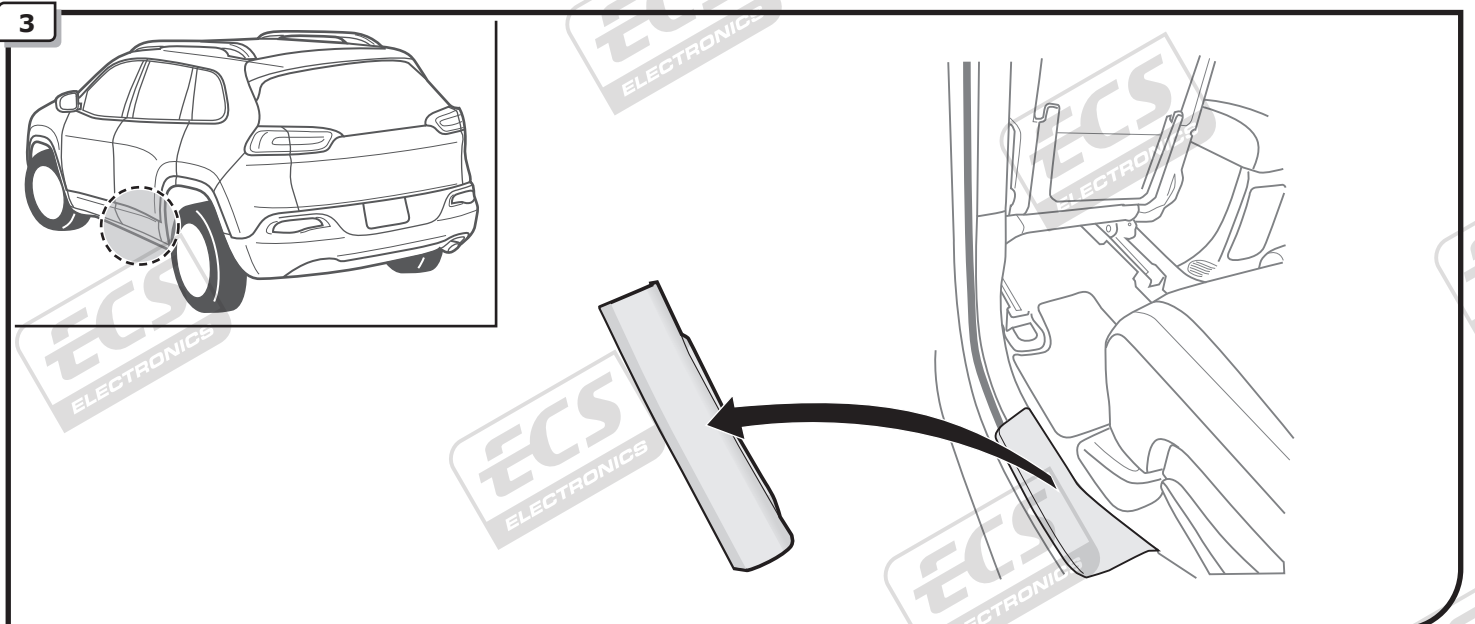
1

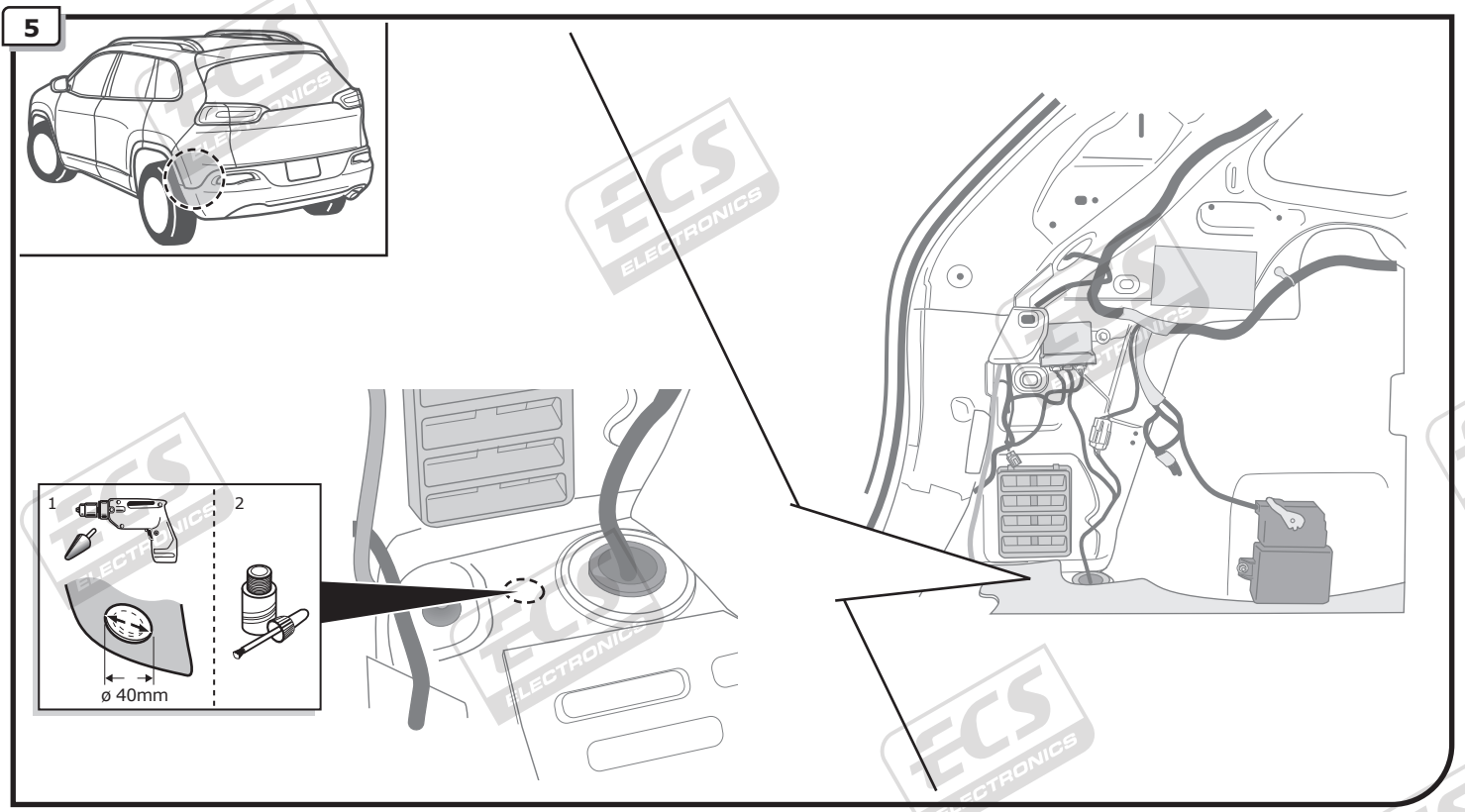
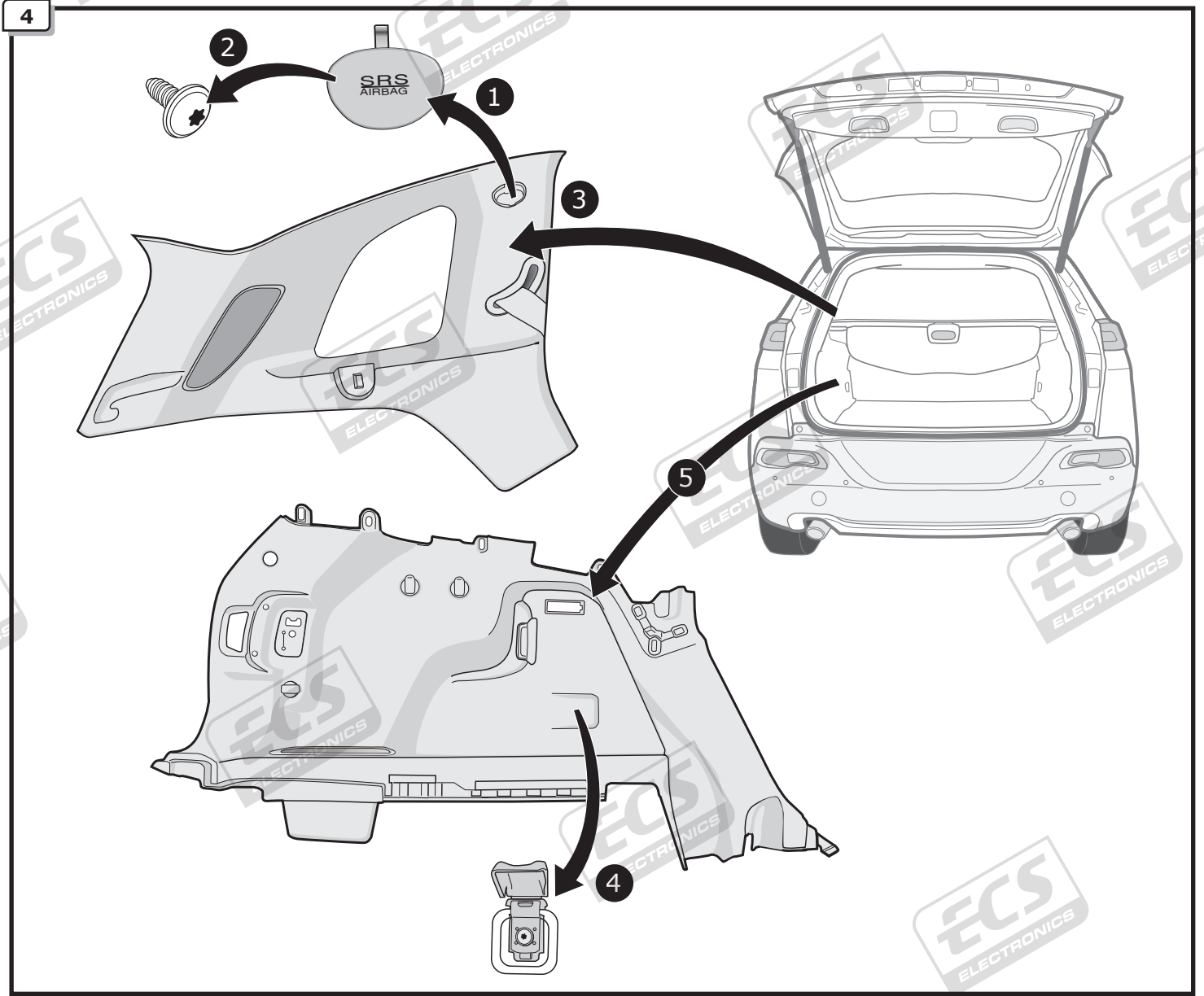


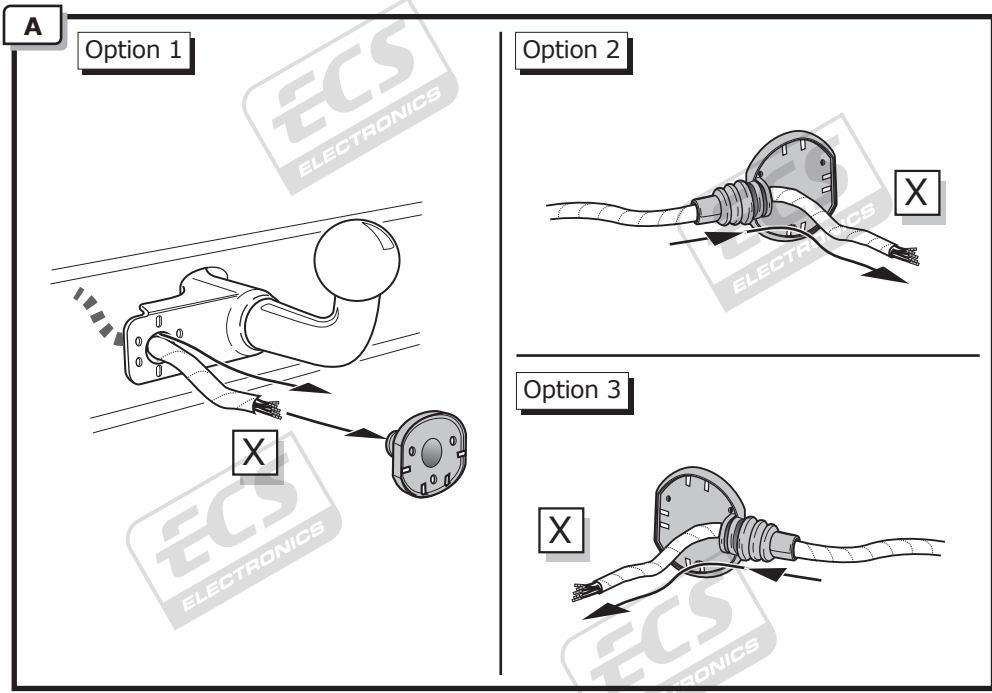
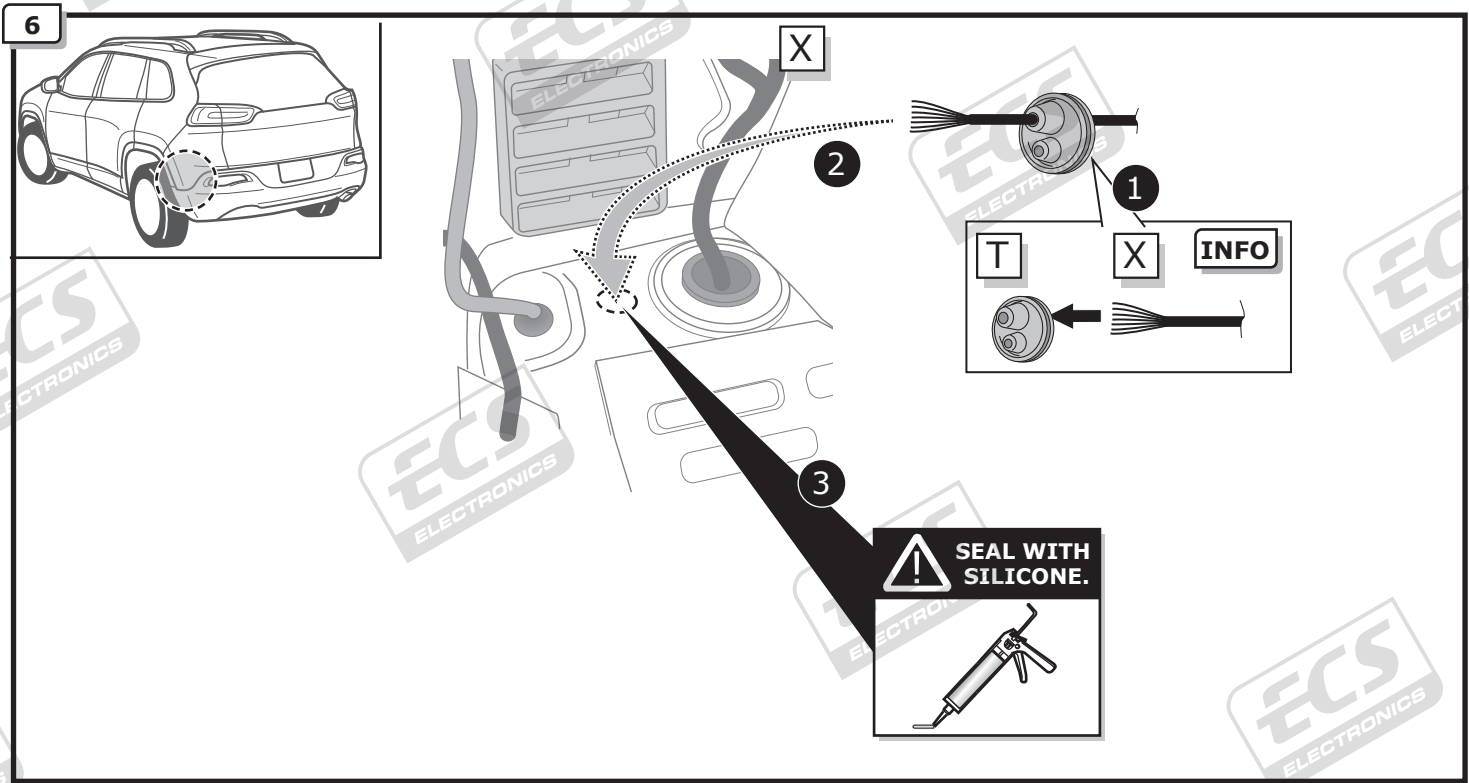
2



3



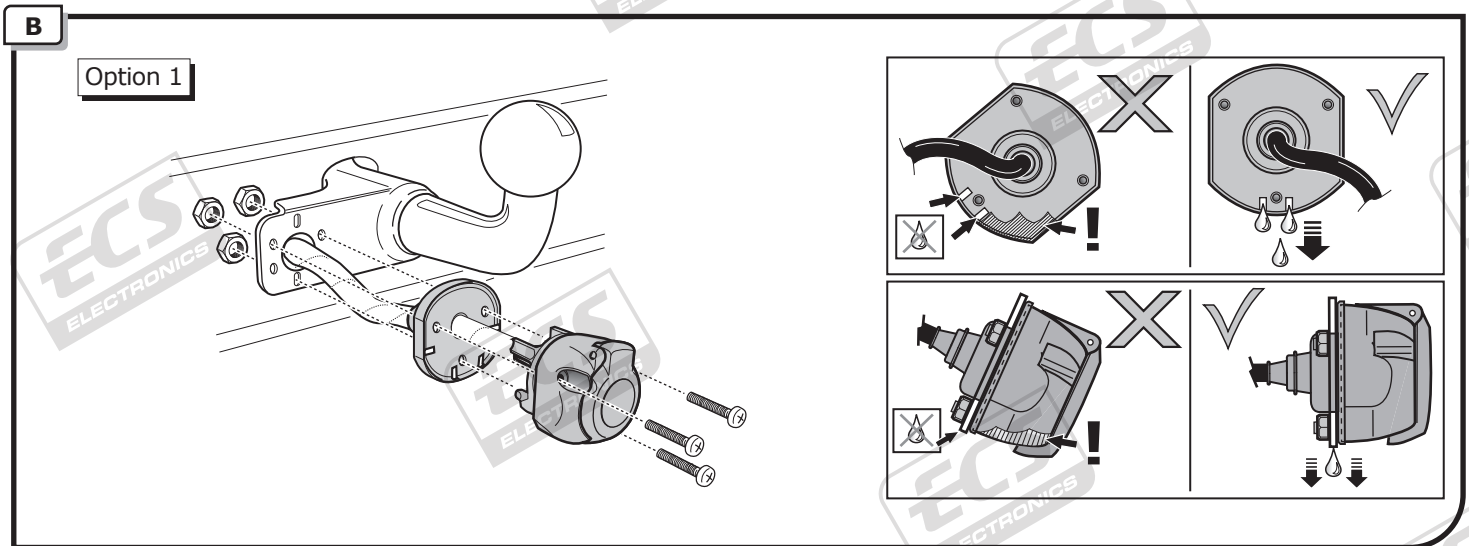


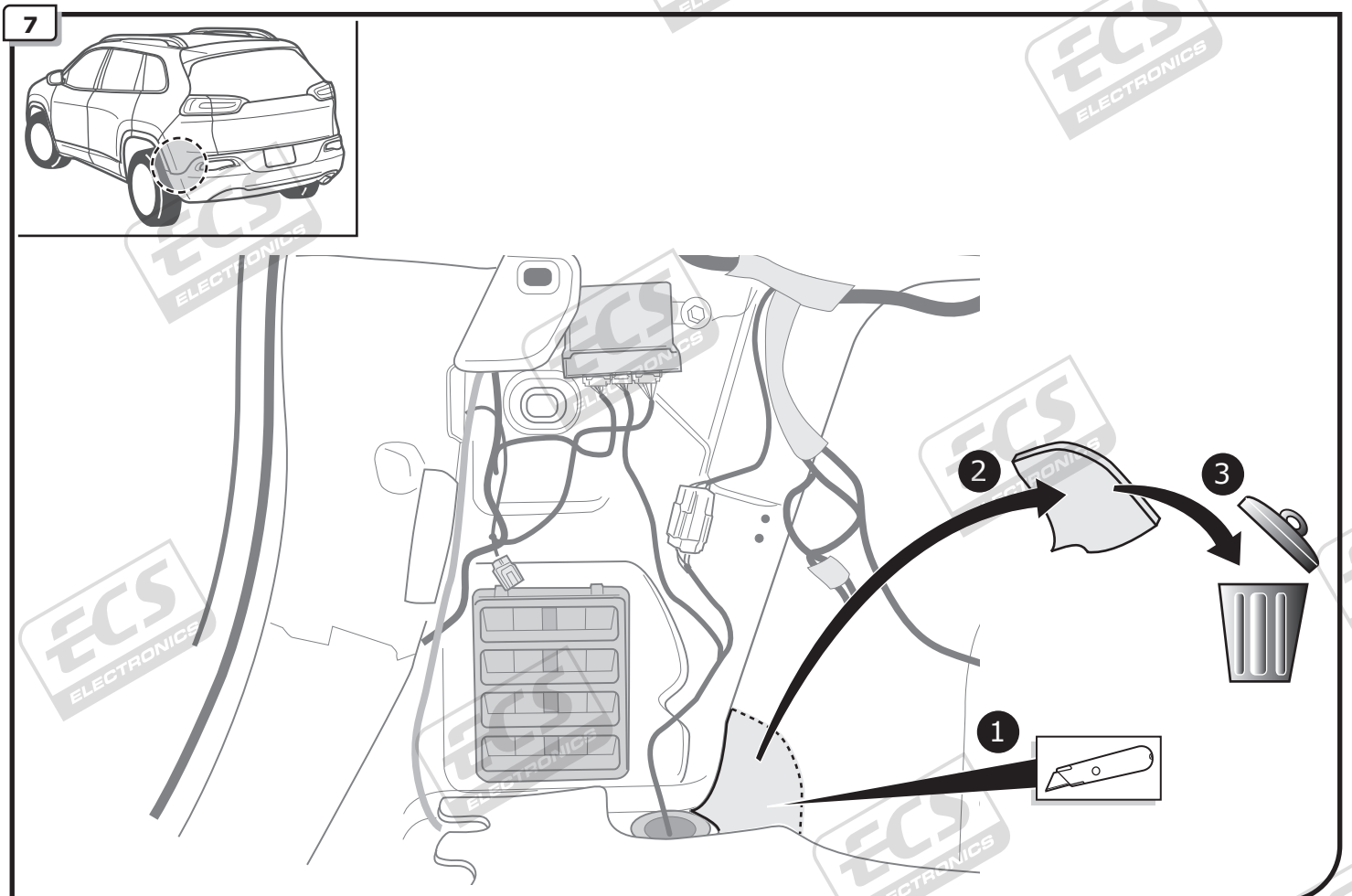
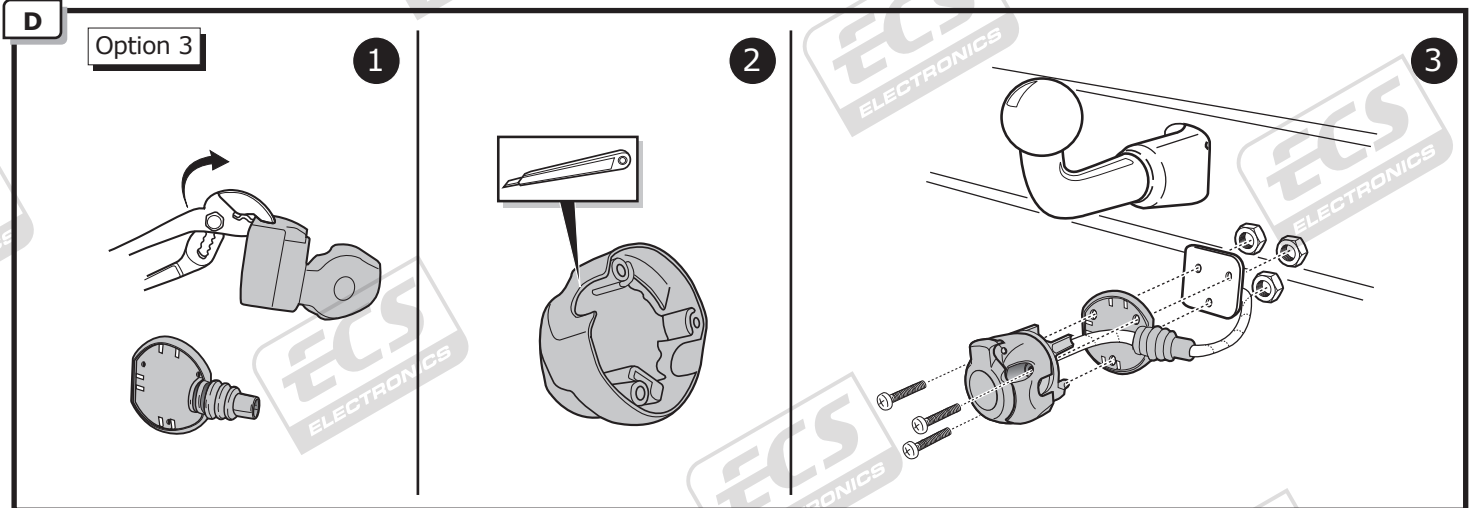
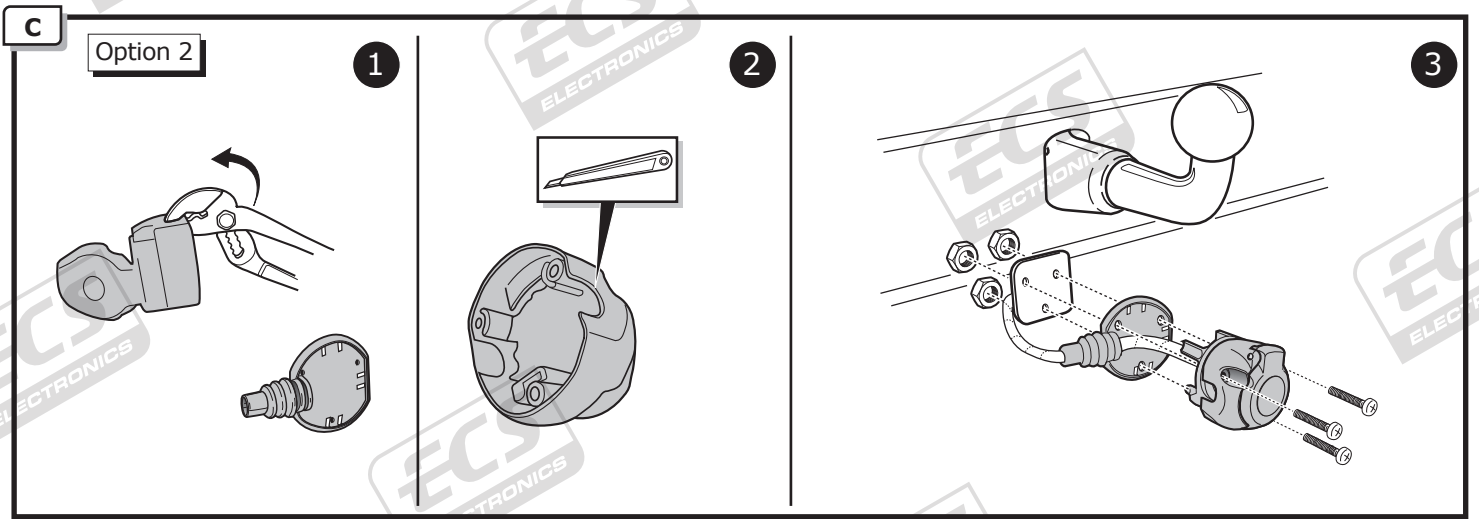


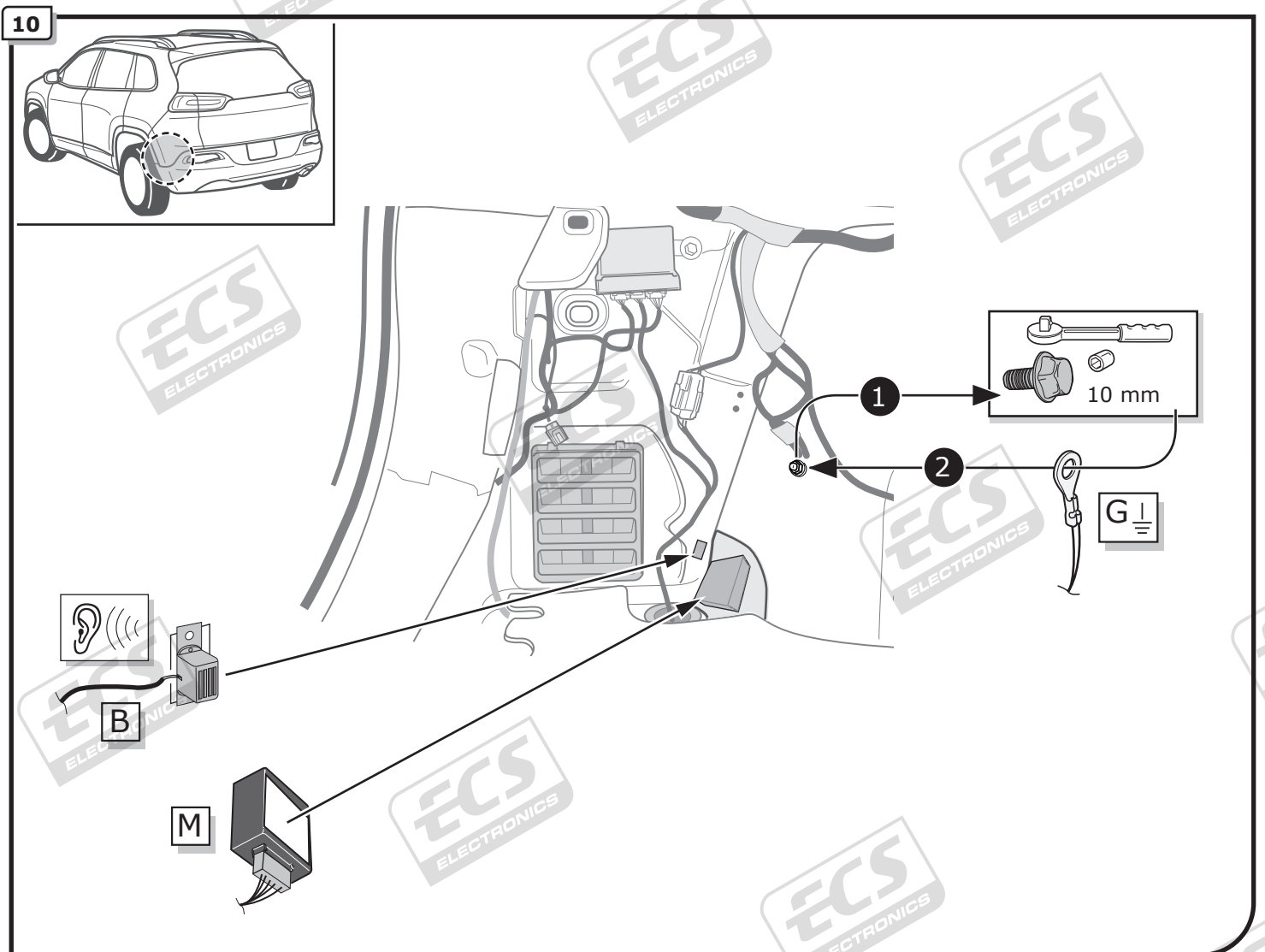
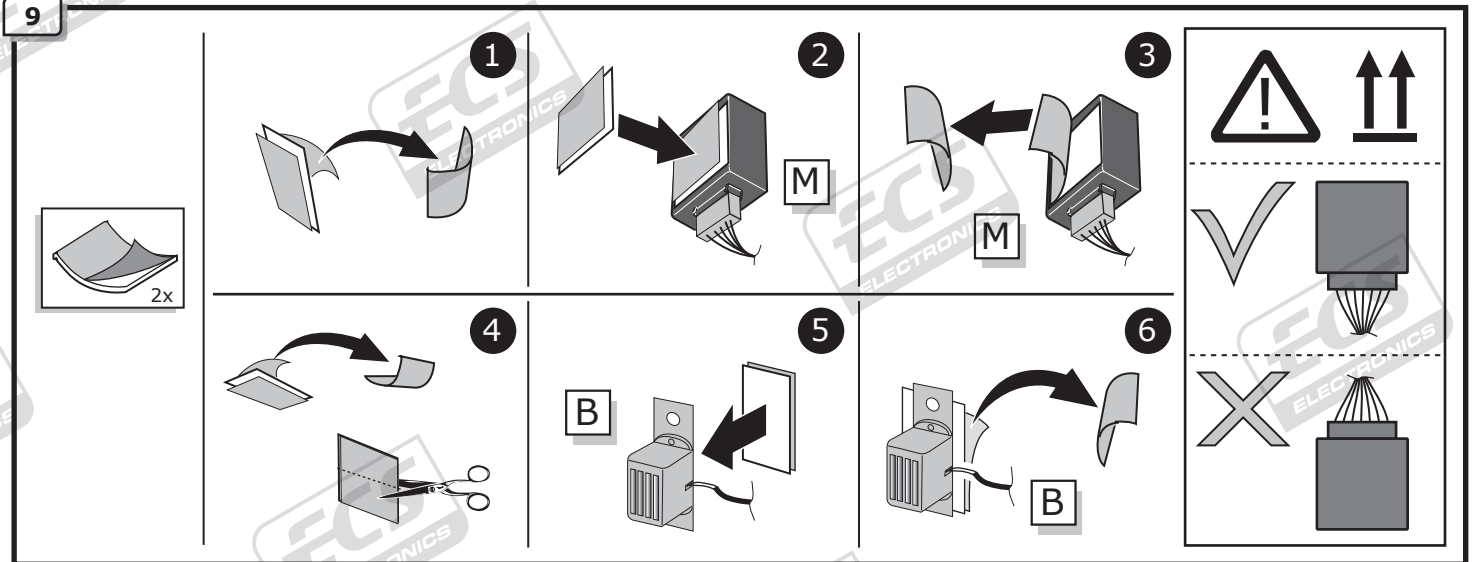
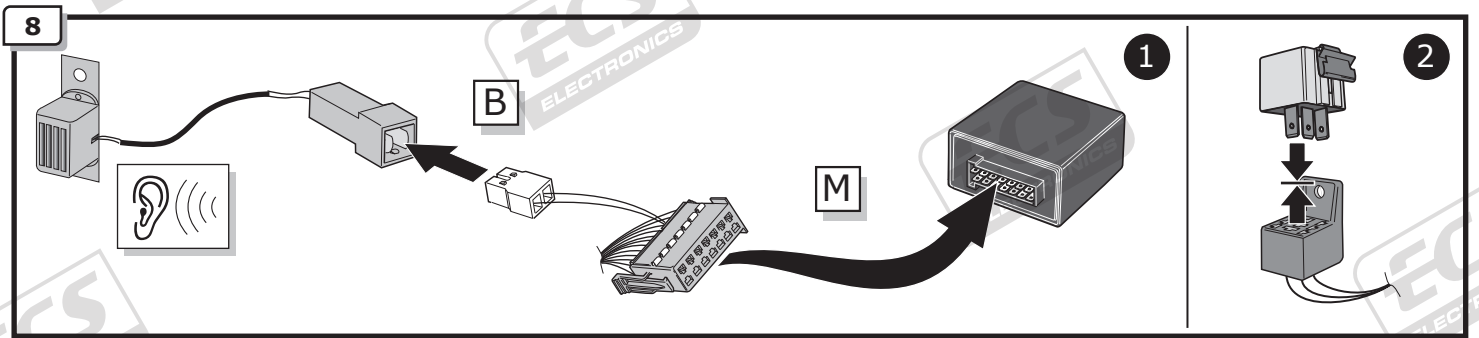
INFO

SOCKET CONNECTION

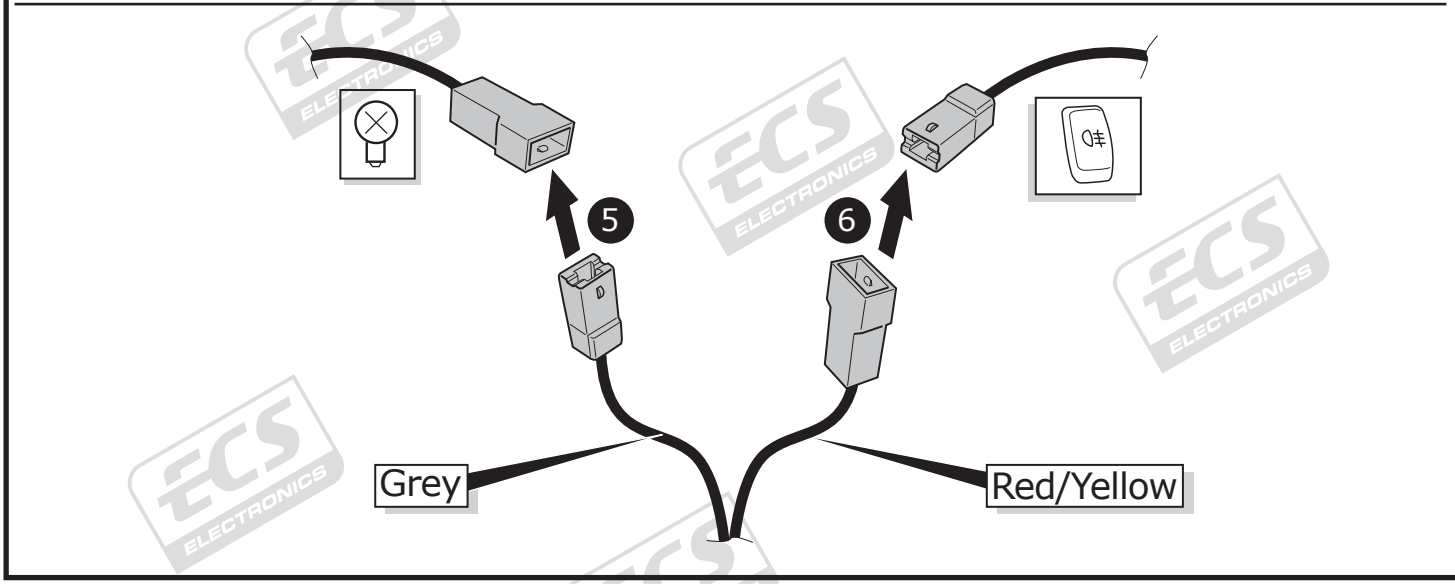
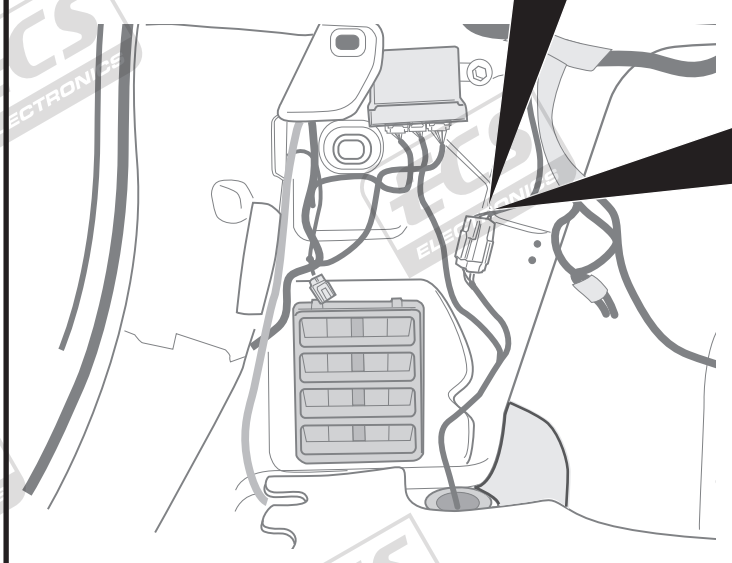
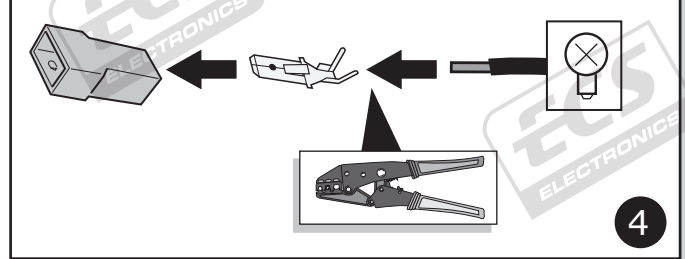
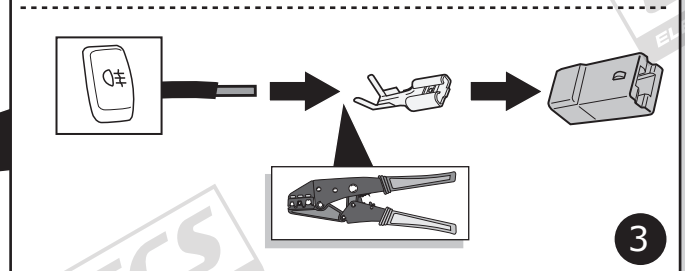
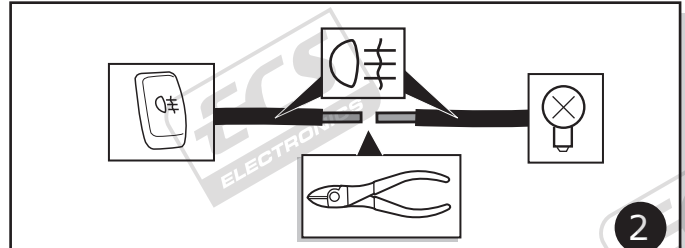
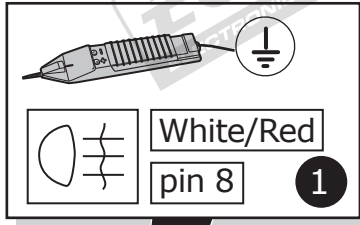
Pag. 14



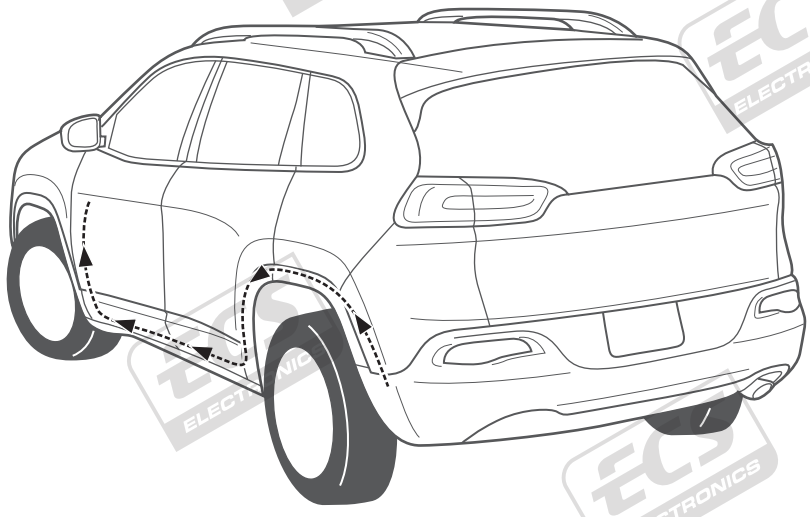




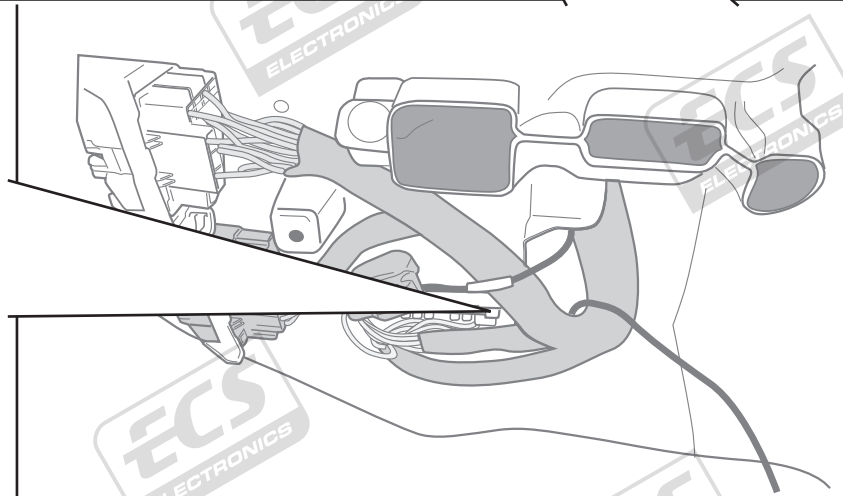
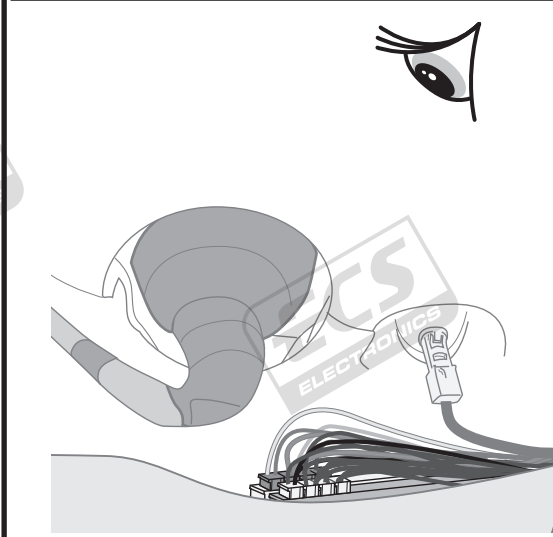
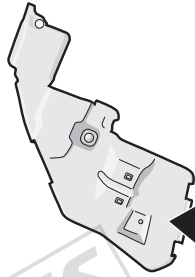
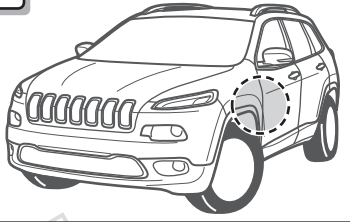
11



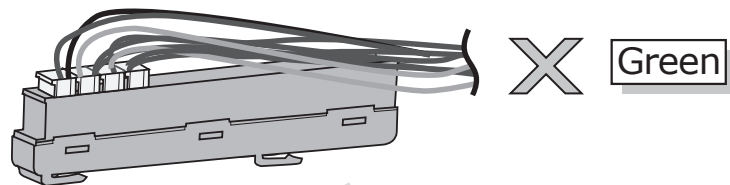
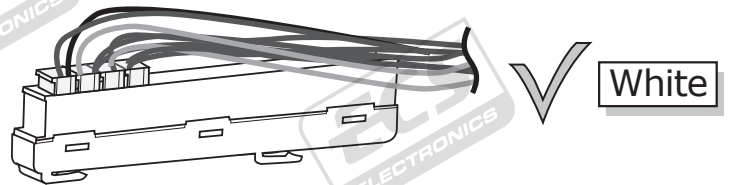
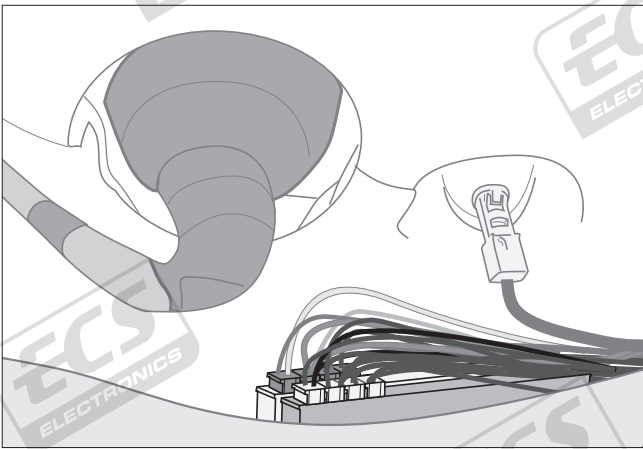
12



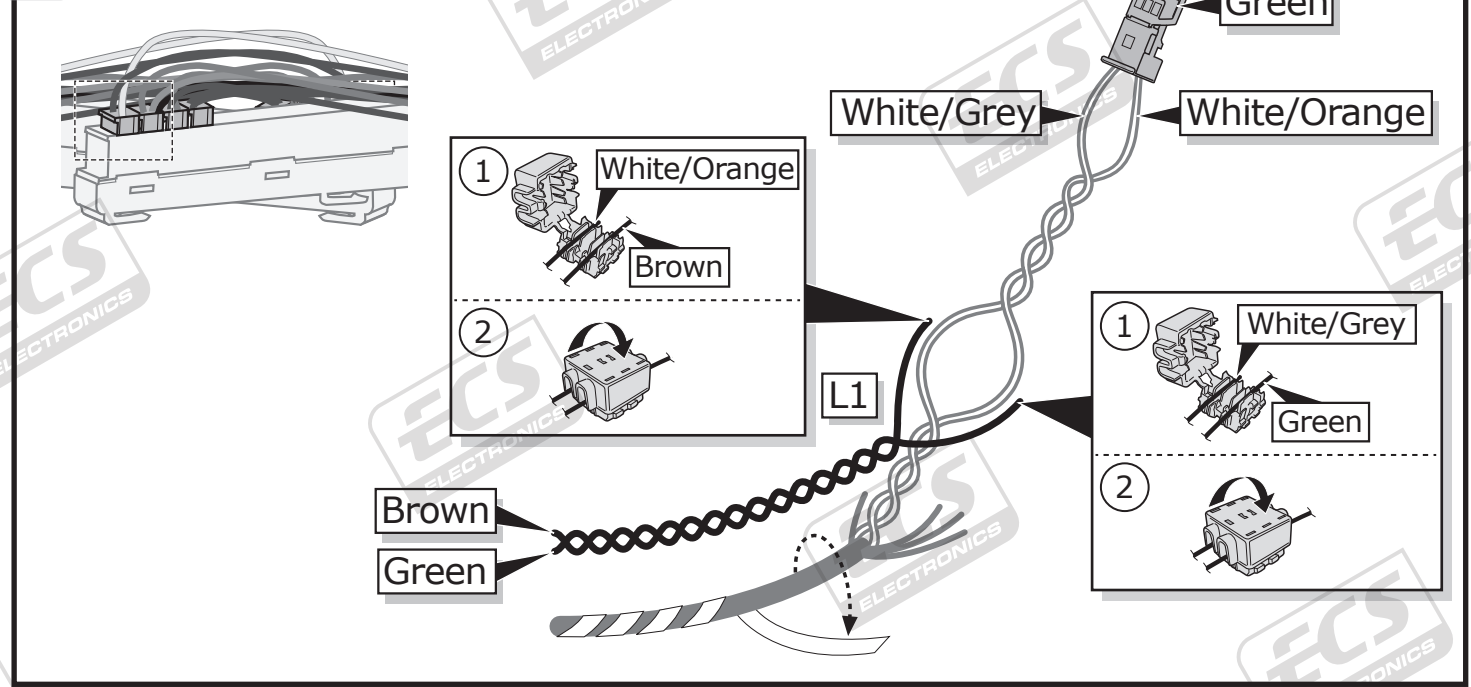
13



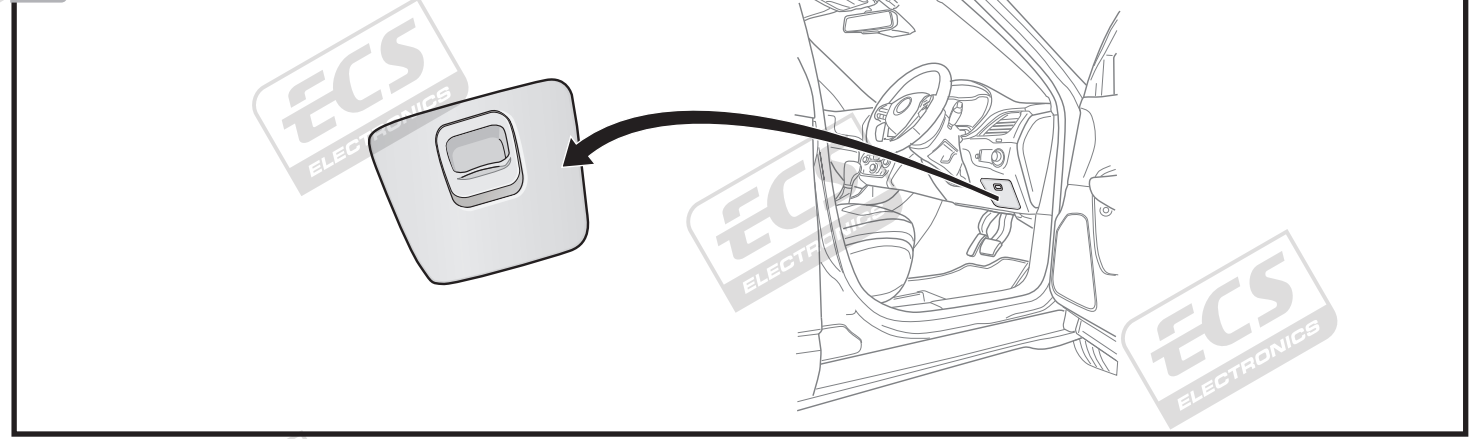
14



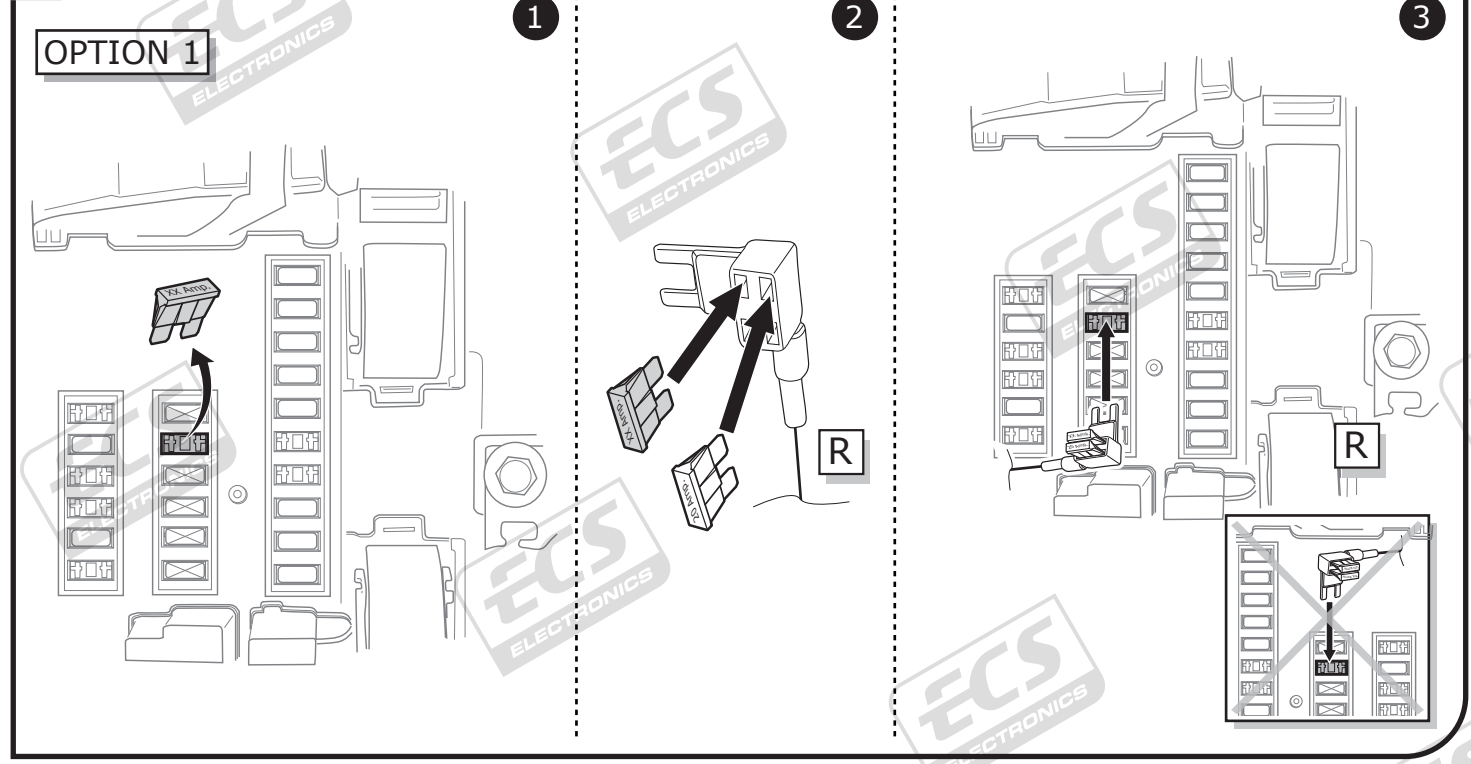
15



16



17



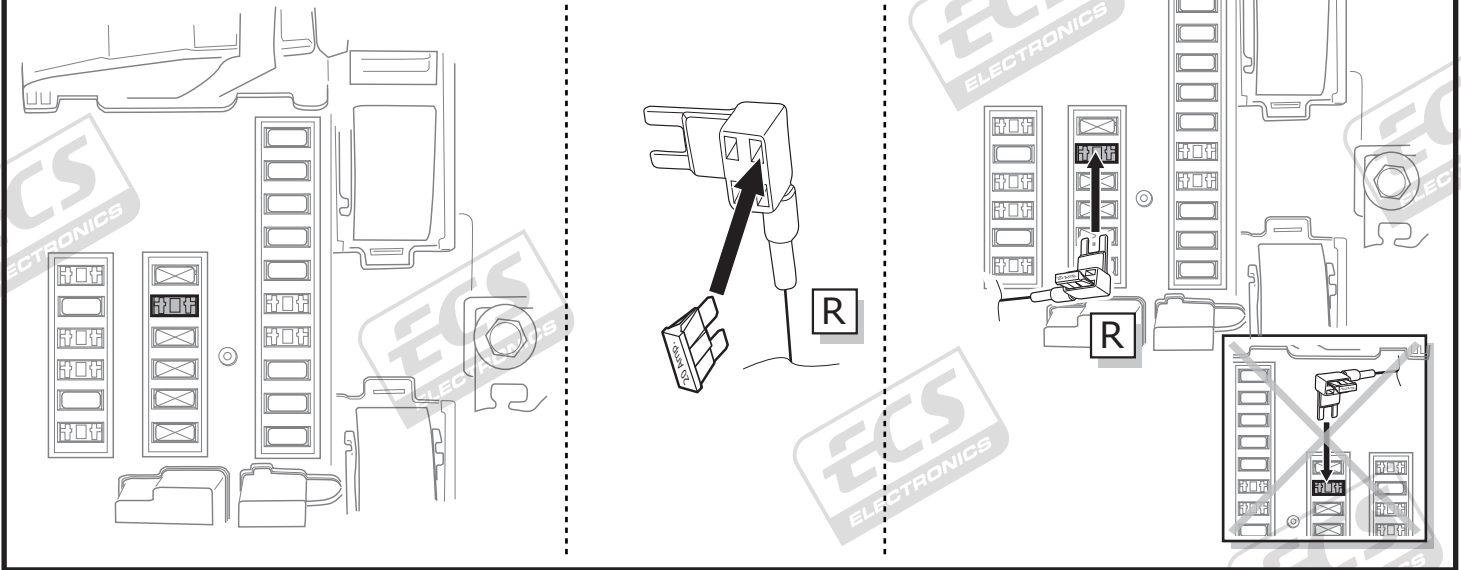
18

OPTION 2

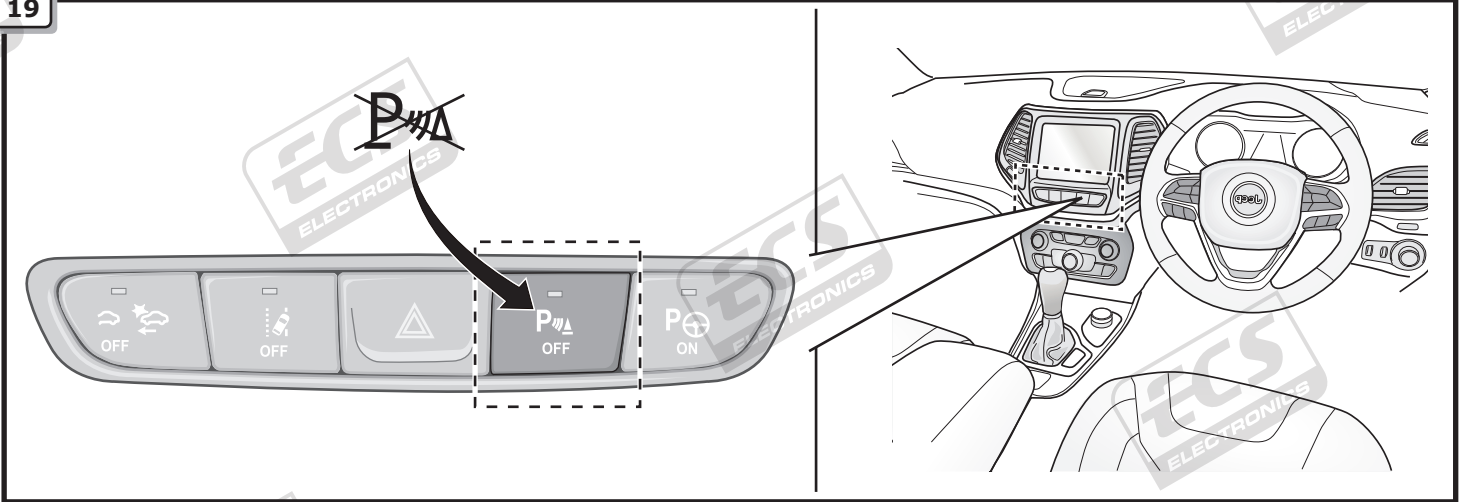
1

2

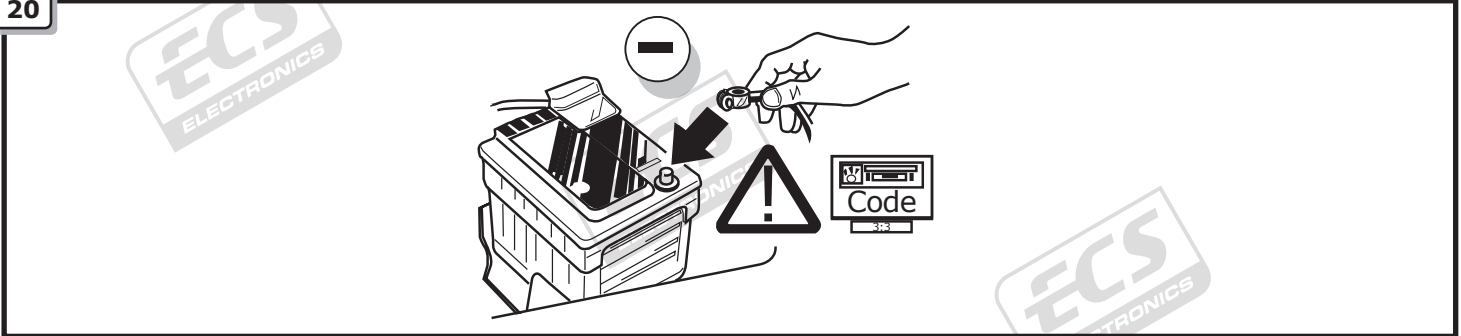
3



19



20



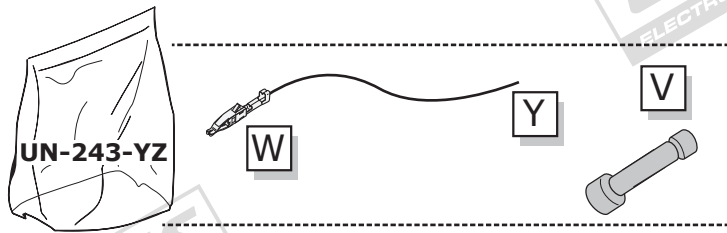
21



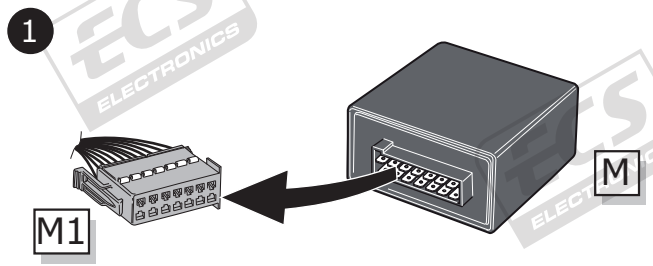
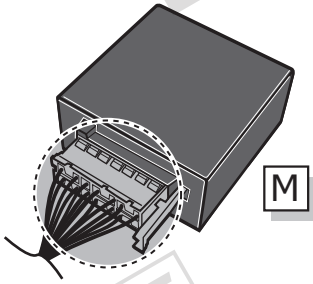
TEST ALL THE CIRCUITS WITH A TEST DEVICE WITH THE CORRECT POWER LOAD FOR EACH FUNCTION. A TEST DEVICE WITH LED'S CANNOT BE USED FOR THIS PURPOSE.

UN-243-YZ Reverse lamp pre-wire extension

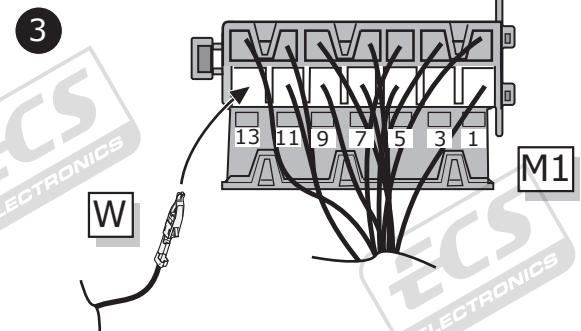
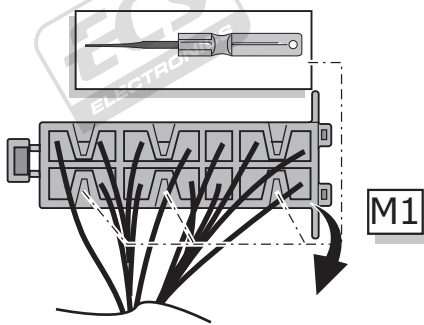
⚠ MAX = 21W



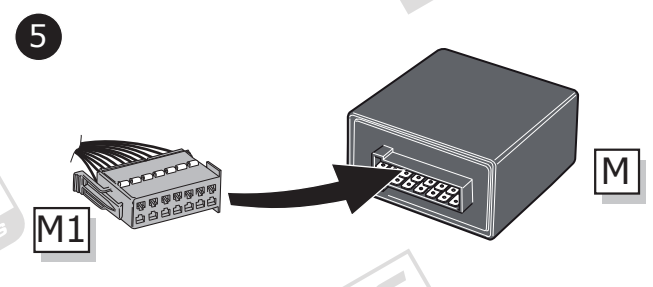
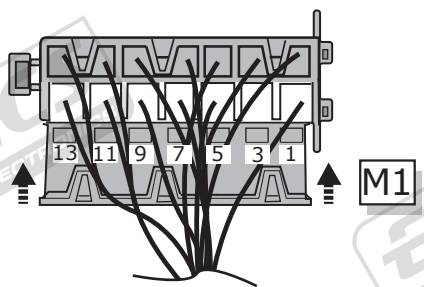
A



2

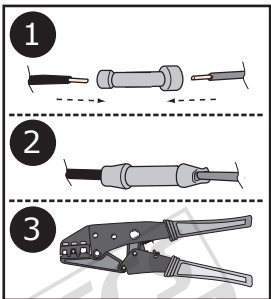


4



B

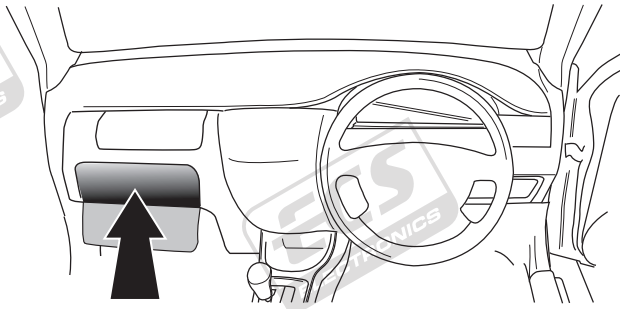
⚠ MAX = 21W



INFO

REINSTALL TRIM.

22



User guide



INFO

SOCKET CONNECTION

DIN/ISO 1724							
	1/L	2	3/31	4/R	5/58-R	6/54	7/58-L
Pmax	21W	21W		21W	42W	3x21W	42W
Colour	Yellow	Blue	White	Green	Brown	Red	Black