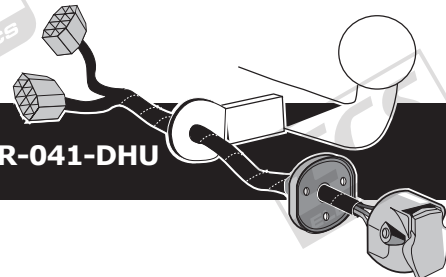


Jeep Wrangler JK (3&5 Drs.) 01/2007 >> 08/2018  
Jeep Wrangler JL (3&5 Drs.) 09/2018 >>

Partnr.: CR-041-DHU



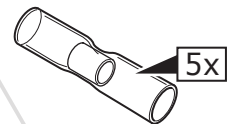
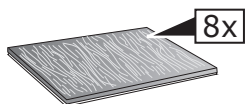
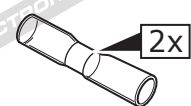
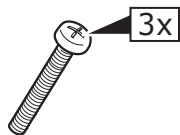
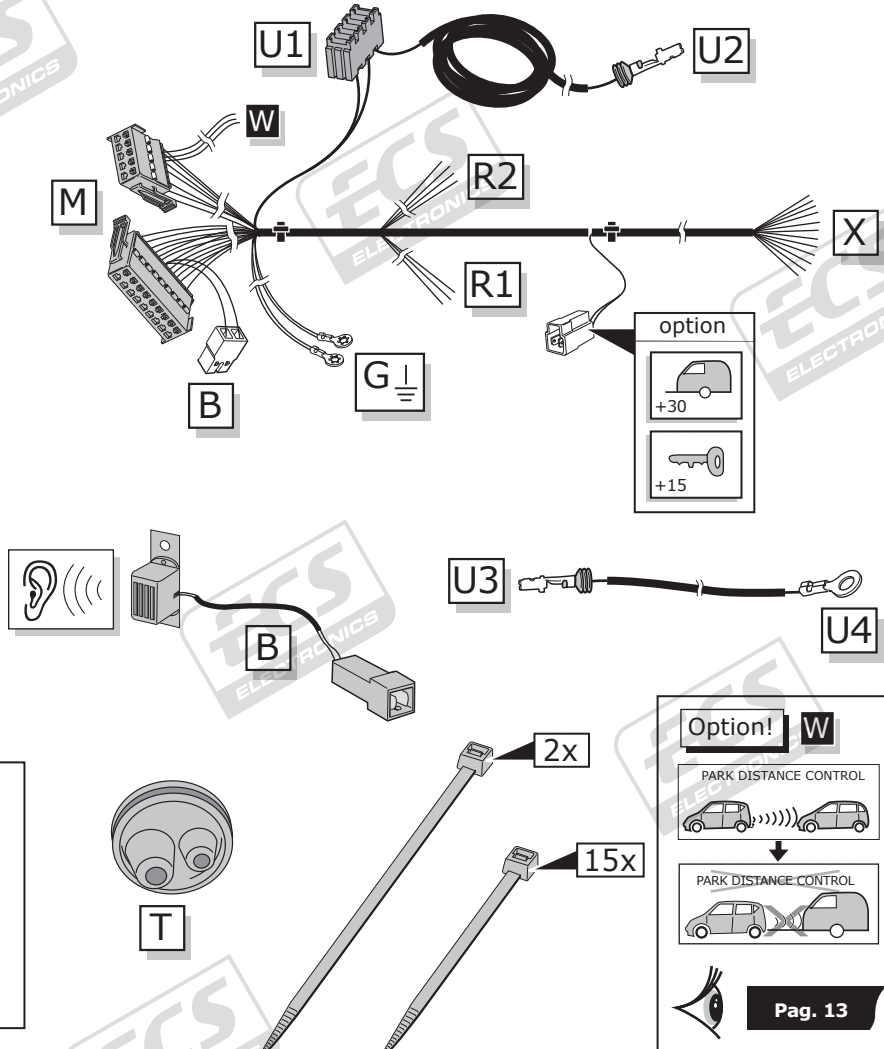
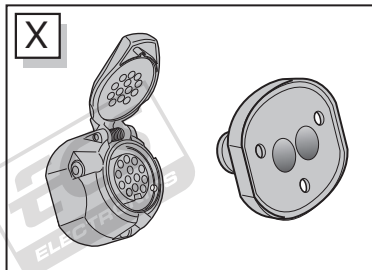
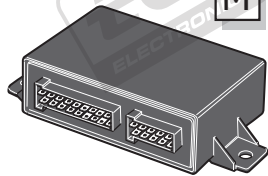
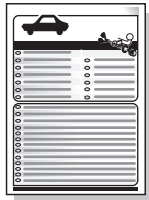
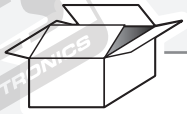
- Fitting instructions electric wiring kit tow bar with 13-P socket up to DIN/ISO Norm 11446.
- We would expressly point out that assembly not carried out properly by a competent installer will result in cancellation of any right to damage compensation, in particular those arising by virtue of the product liability act.
- Contents of these kits and their fitting manuals are subject to alteration without notice, please ensure that these instructions are read and fully understood before commencing installation.
- Do not overload circuits; the maximum loads per connection are detailed in this manual.
- Attention! Before Installation, please read this manual carefully and inform your customer to consult the vehicle owners manual to check for any vehicle modifications required before towing.
- In the event of functional problems, troubleshooting must be limited to about 0.5 hours, contact the technical support:  
[t.skinner@ecs-electronics.com](mailto:t.skinner@ecs-electronics.com) / 07440 202 052.

**TECHNICAL SUPPORT**

**CALL**  
**07440**  
**202**  
**052**

**ECS ELECTRONICS**  
MONDAY TO FRIDAY  
08.00 - 11.00 am  
12.00 - 05.00 pm  
[t.skinner@ecs-electronics.com](mailto:t.skinner@ecs-electronics.com)  
[www.ecs-electronicsuk.co.uk](http://www.ecs-electronicsuk.co.uk)

# Part list



**Option! W**

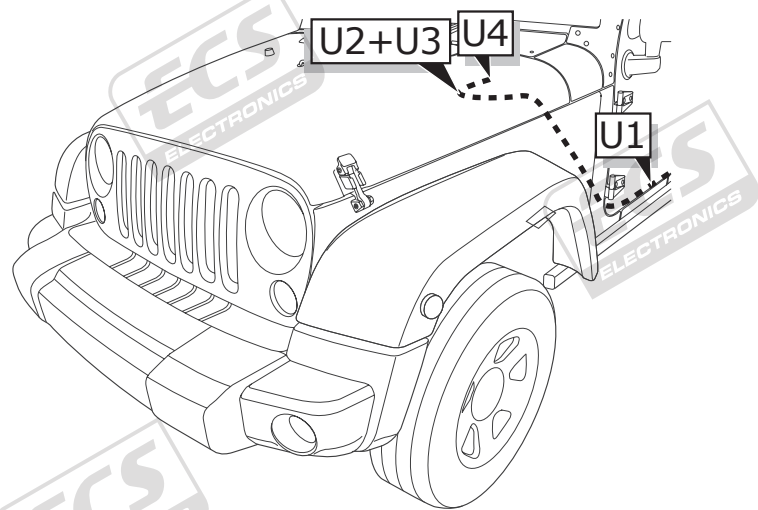
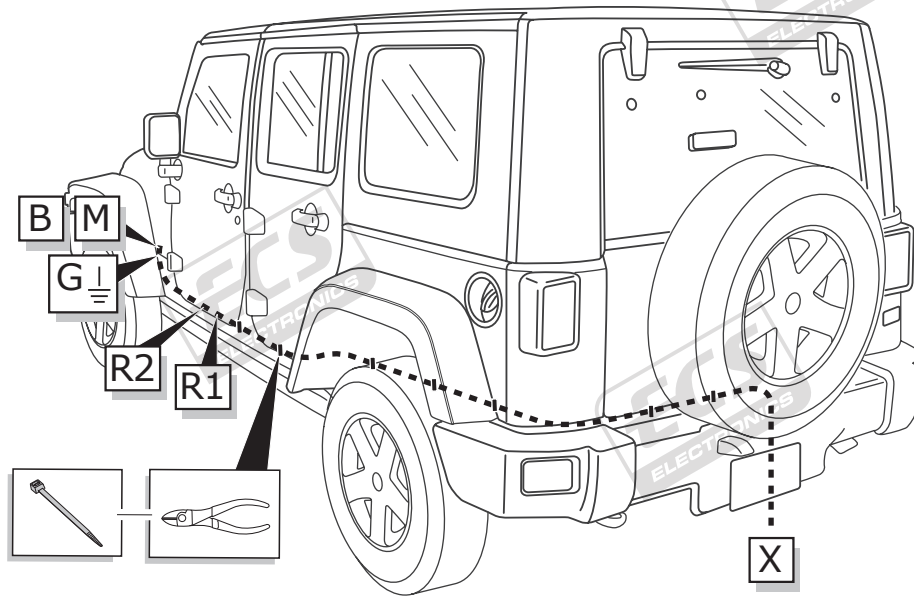
PARK DISTANCE CONTROL

↓

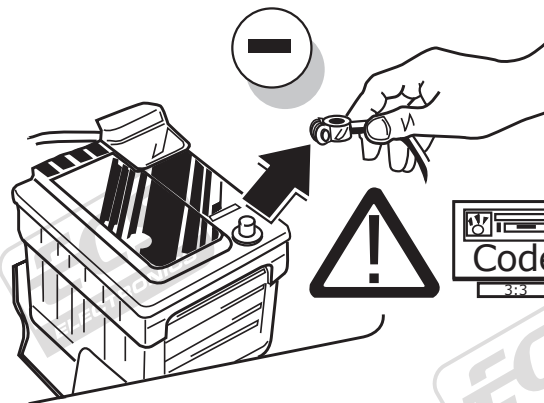
PARK DISTANCE CONTROL

**Pag. 13**

**ROUTING**

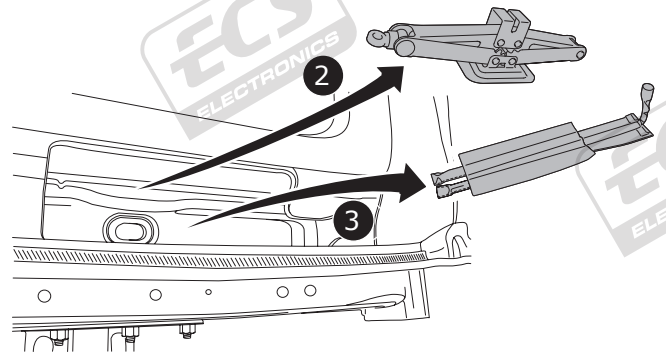
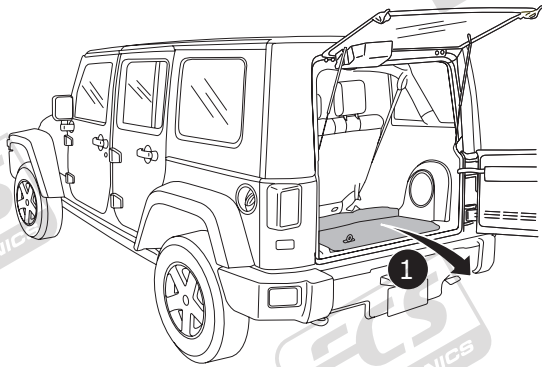


**1**



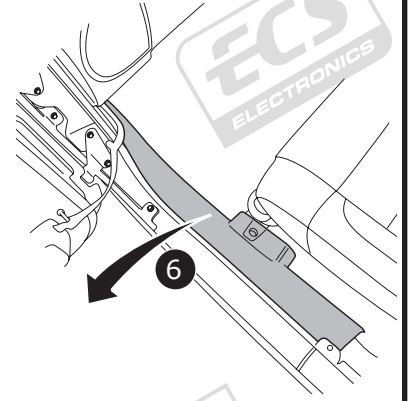
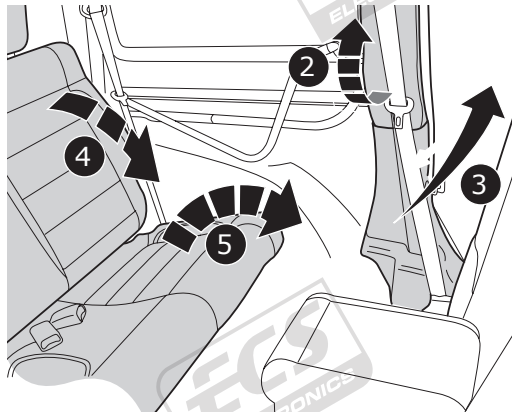
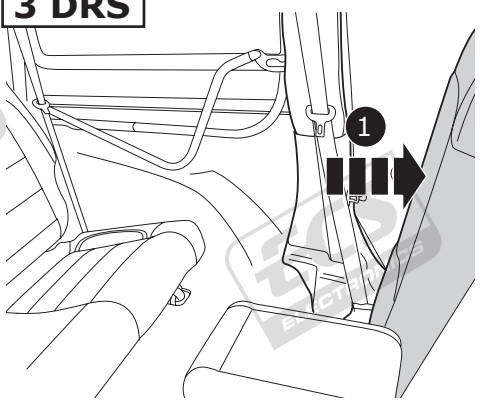
2

**3&5 DRS**



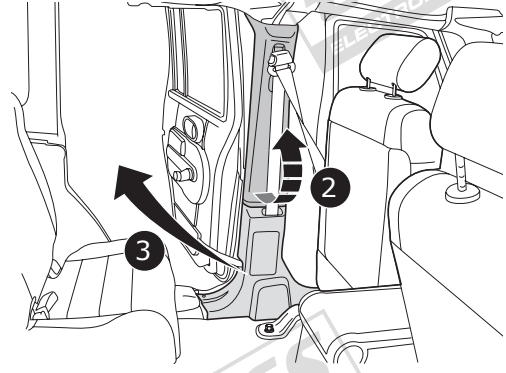
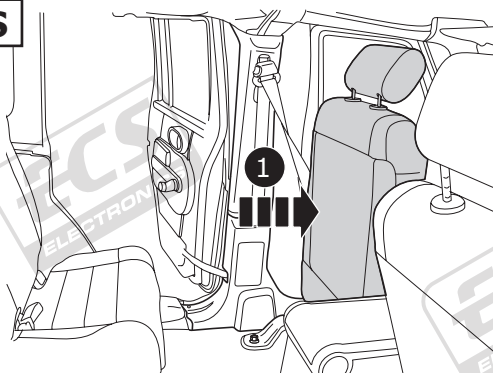
3

**3 DRS**



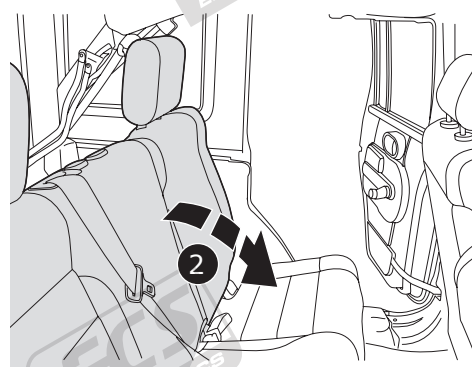
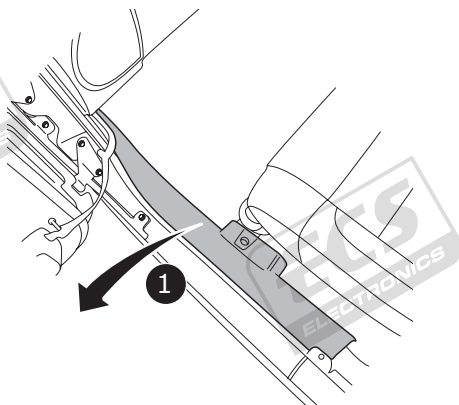
4

**5 DRS**



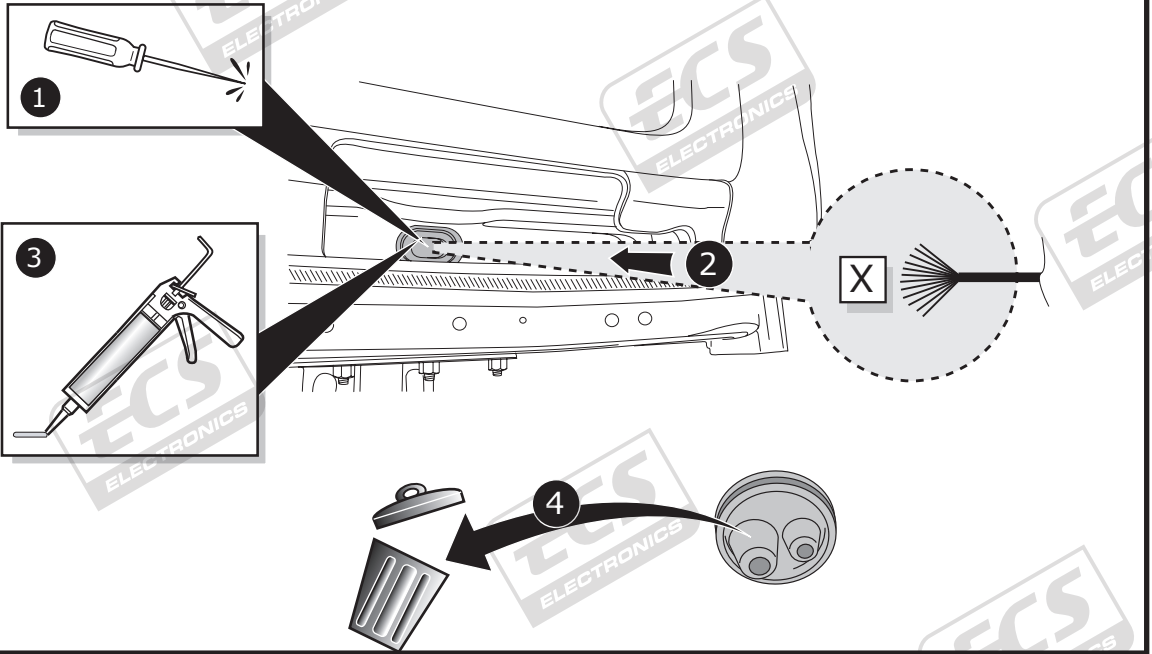
5

**5 DRS**



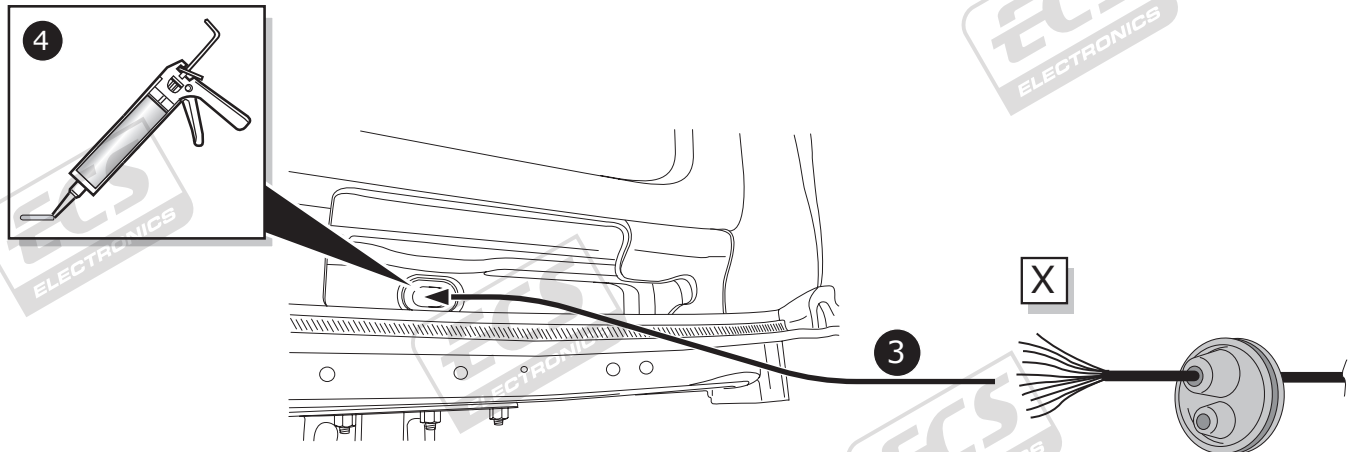
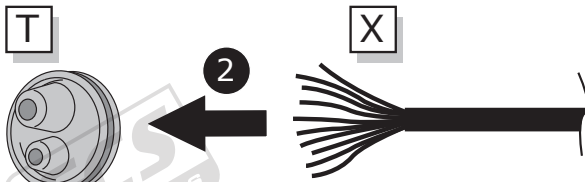
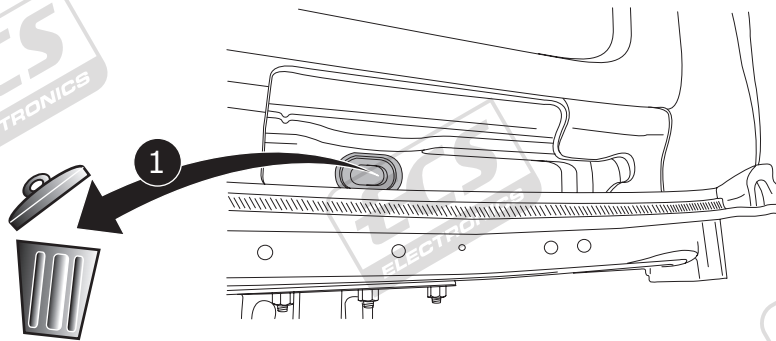
6

**OPTION 1:**

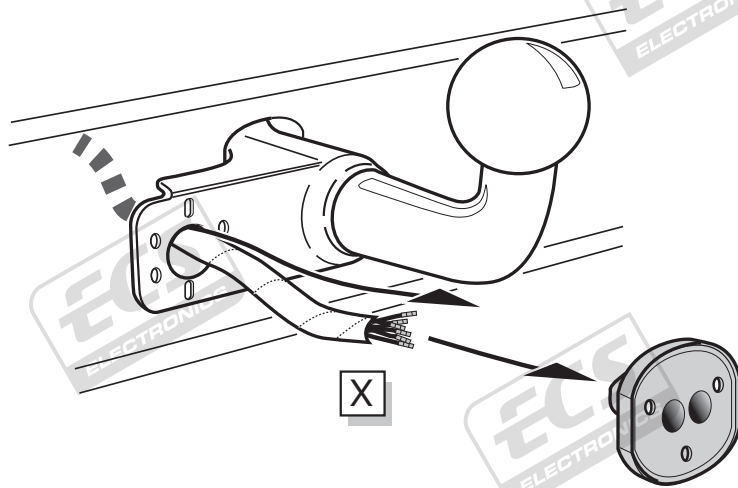


7

**OPTION 2:**



A



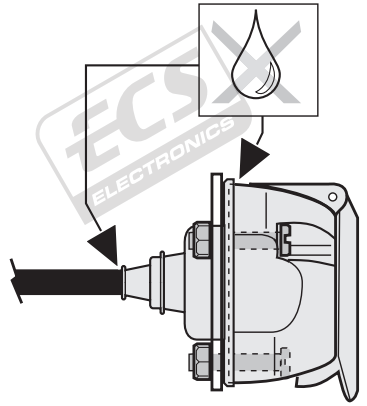
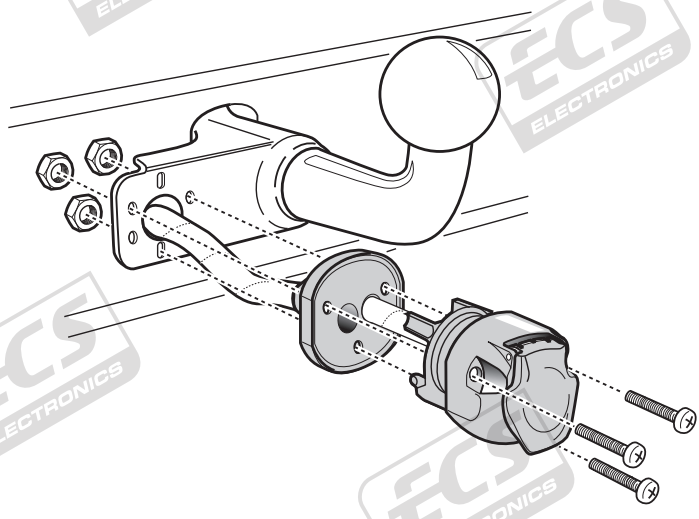
INFO

SOCKET CONNECTION

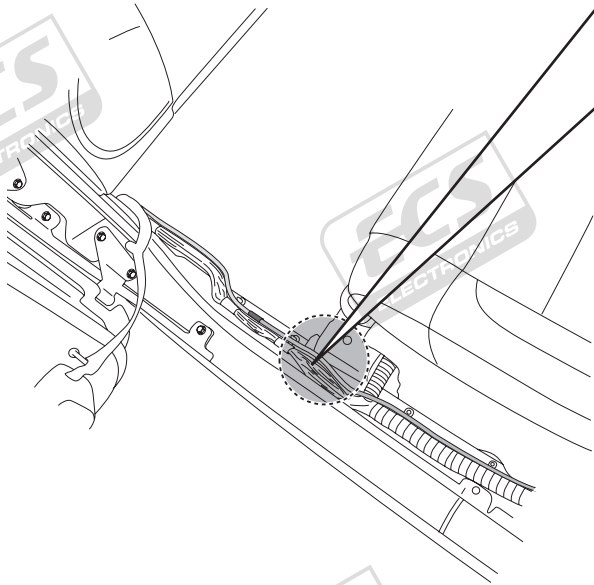


Pag. 14

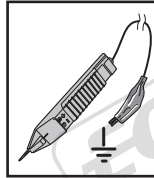
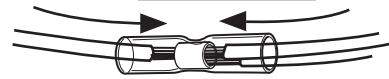
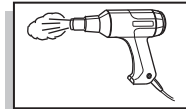
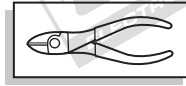
B



8

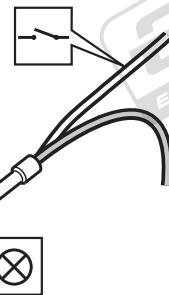


R1



Blue/Red	54 STOP
Black/Yellow	L ←
Purple/Black	☀-58L

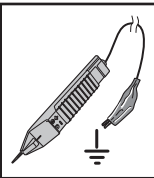
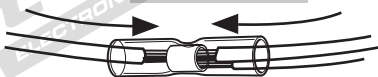
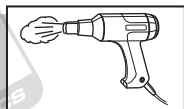
3x



9



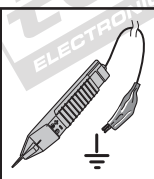
R2



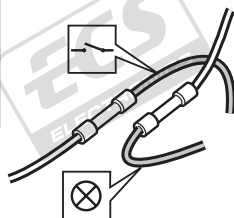
Green/Red	Reverse
Black/Green	R →



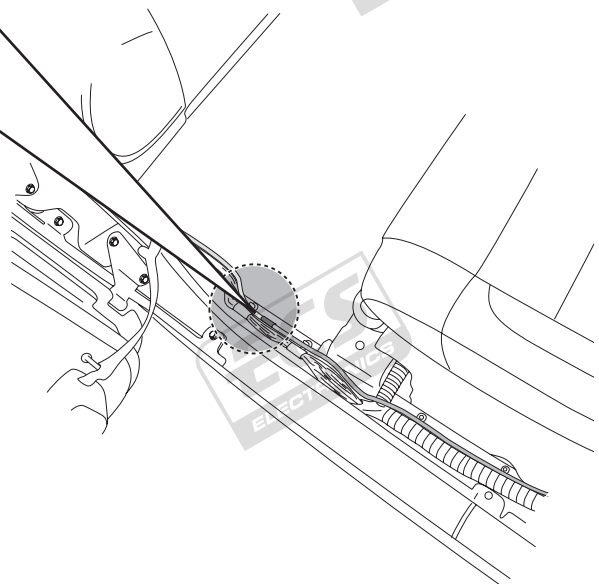
2x



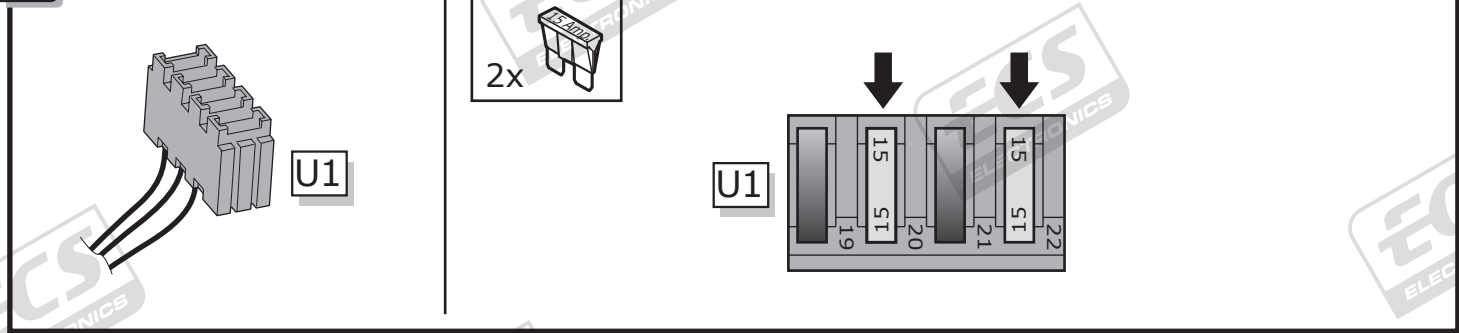
Blue	54G	☐
Grey	54G	⊗



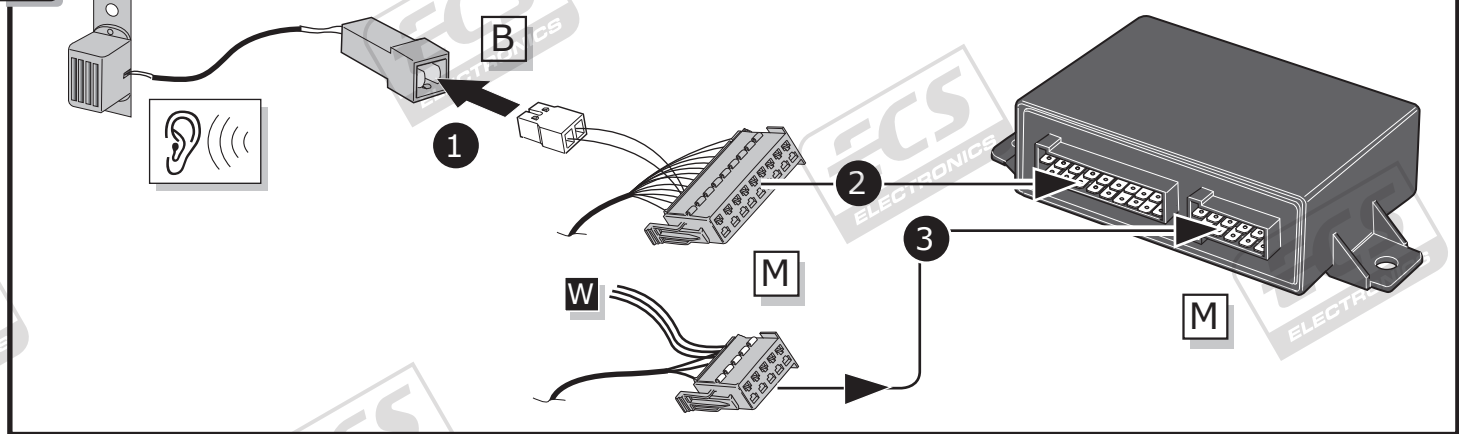
2x



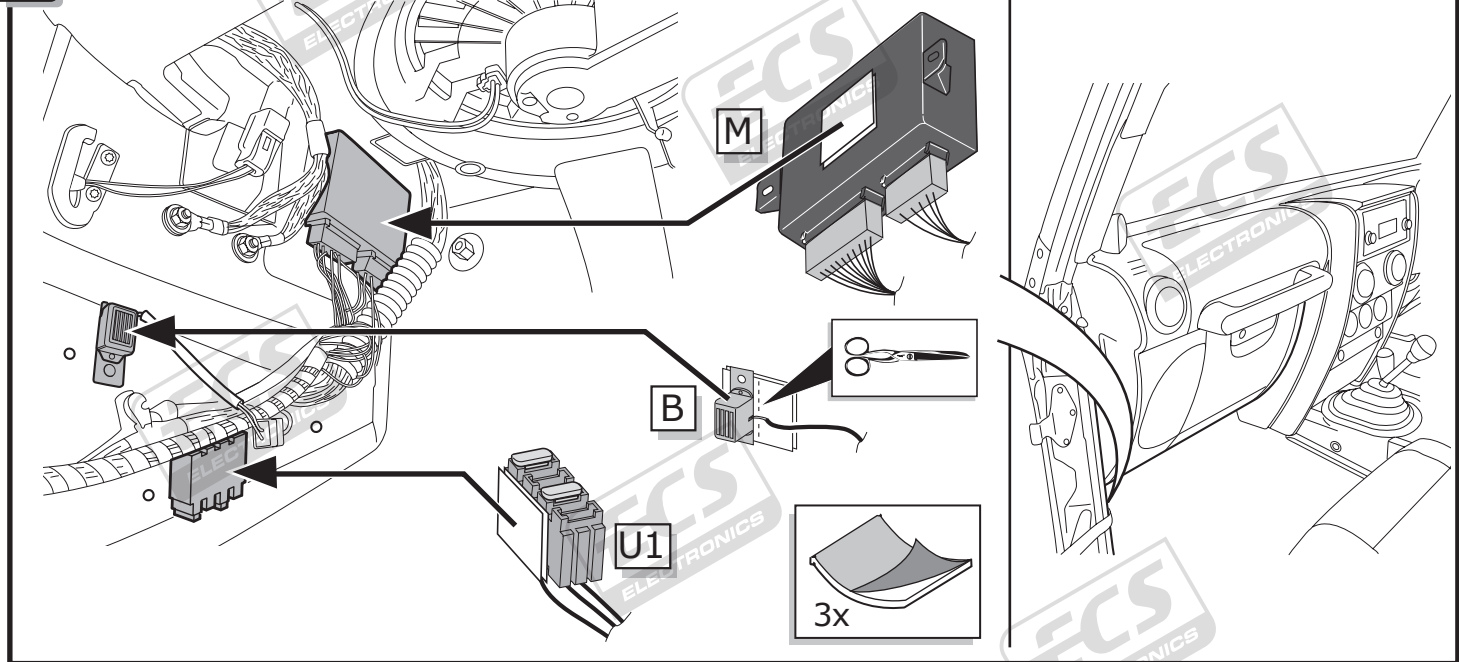
10



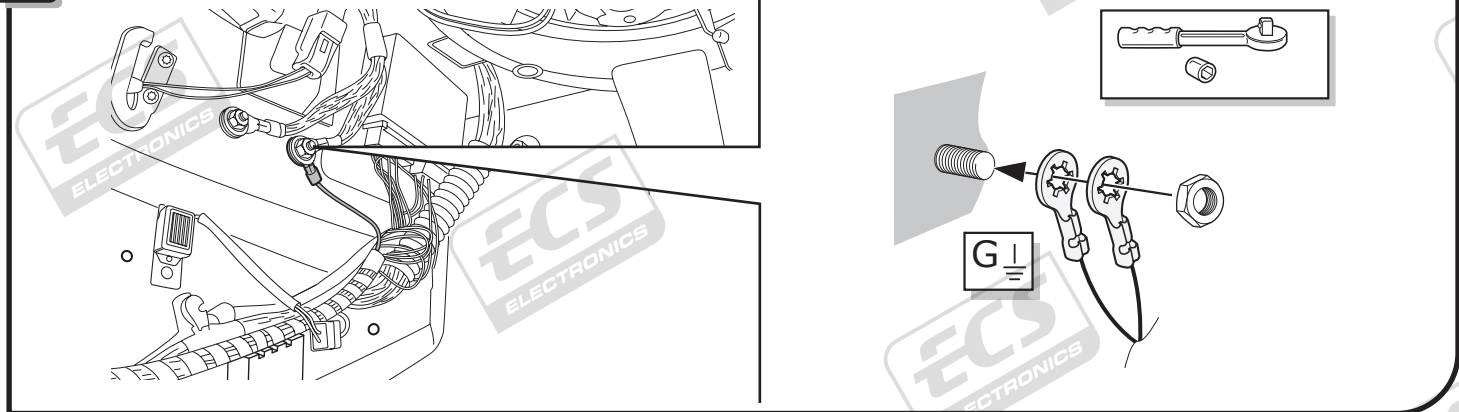
11



12

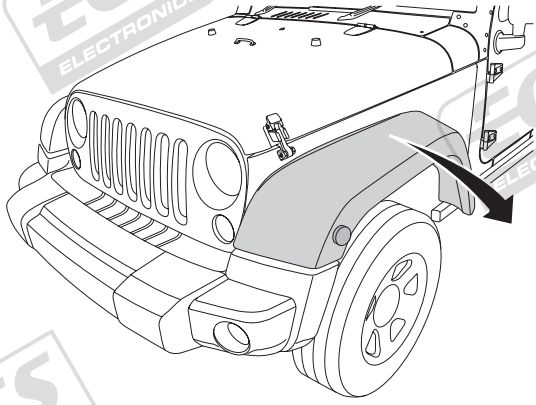


13

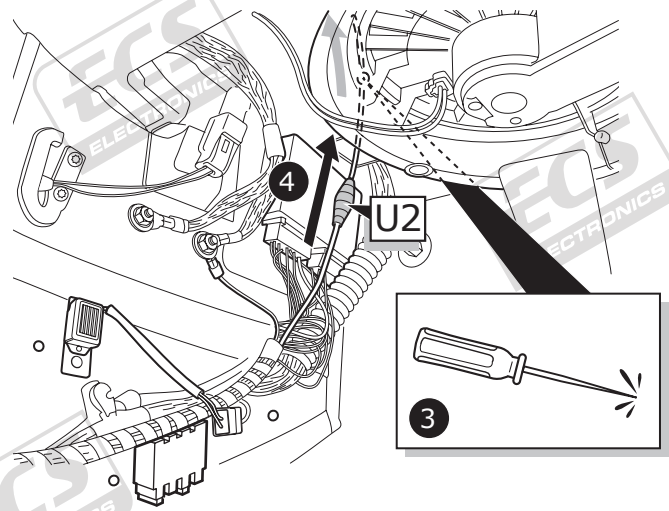
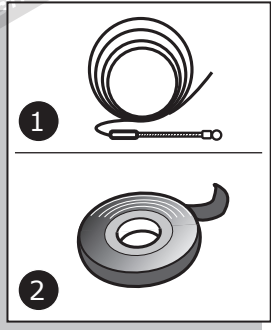
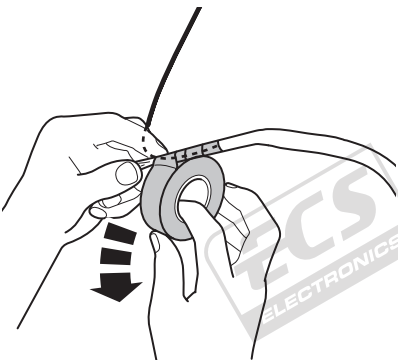
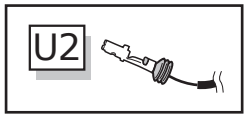




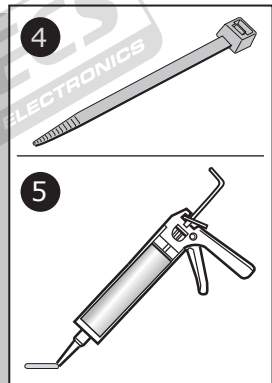
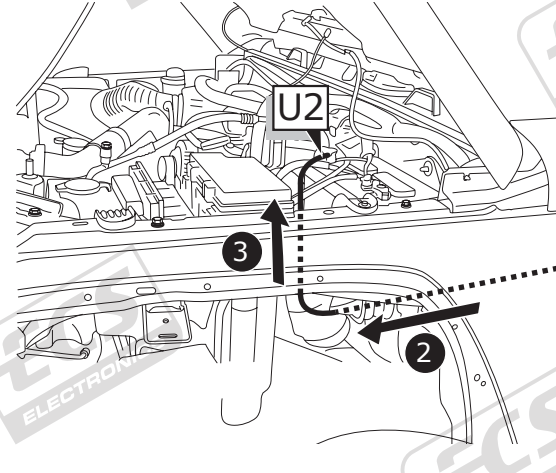
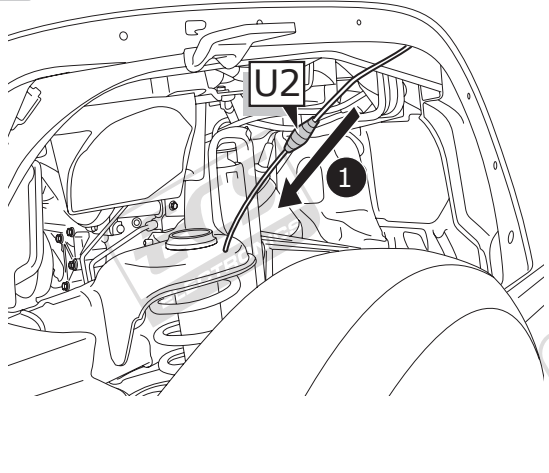
14



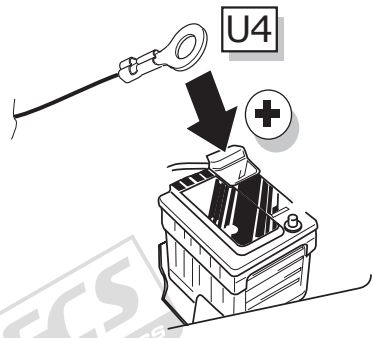
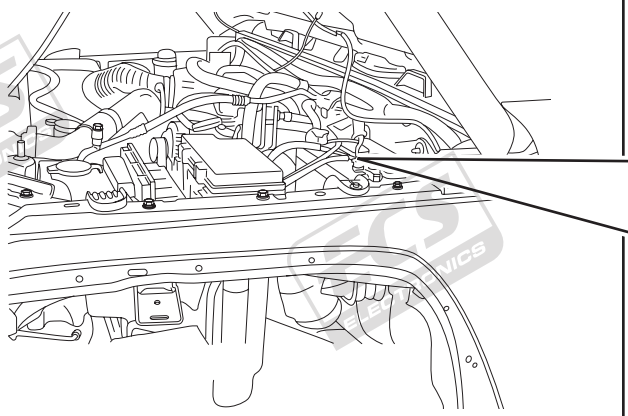
15



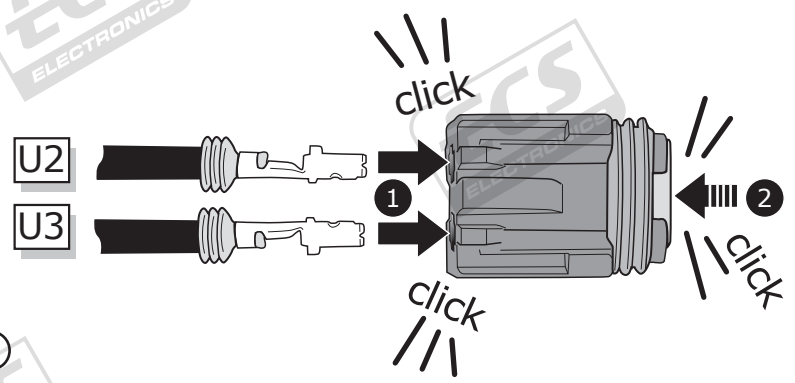
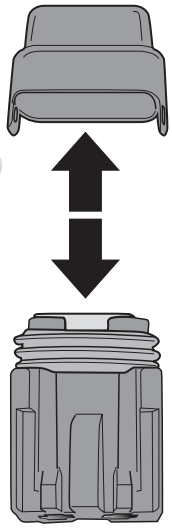
16



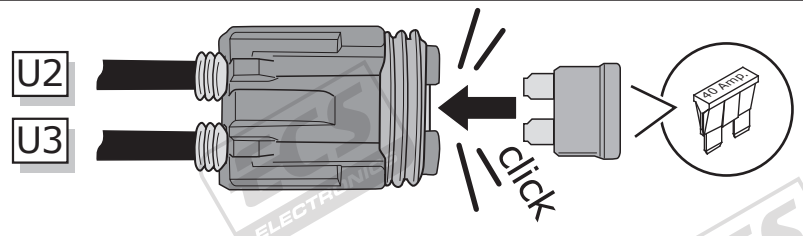
17



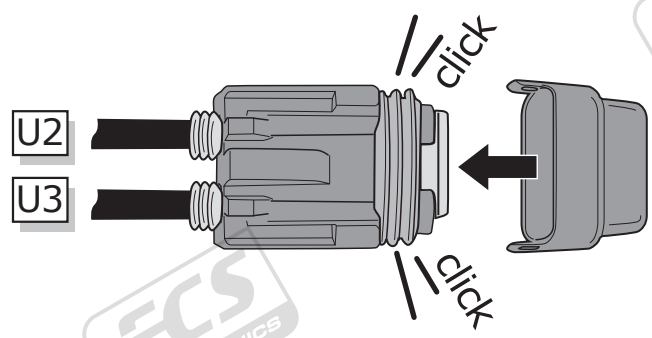
18



2

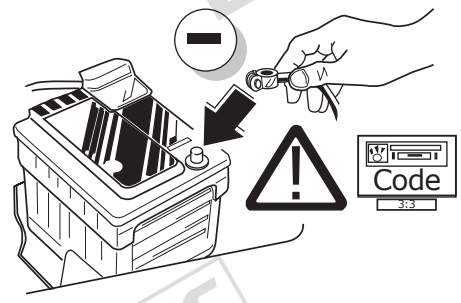


3

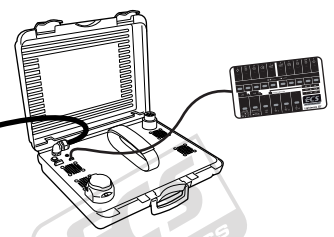
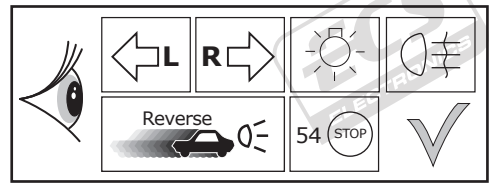
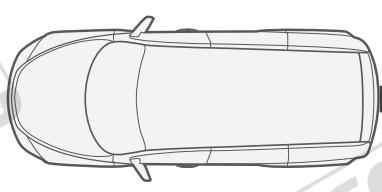


4

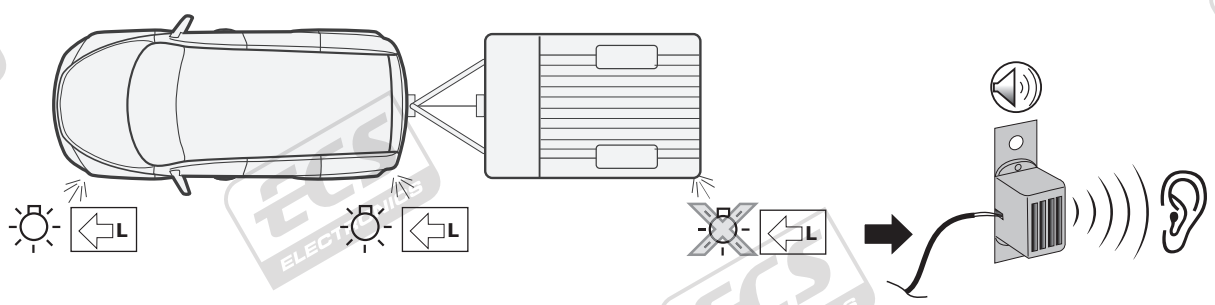
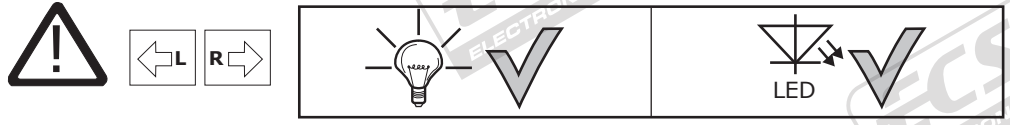
19



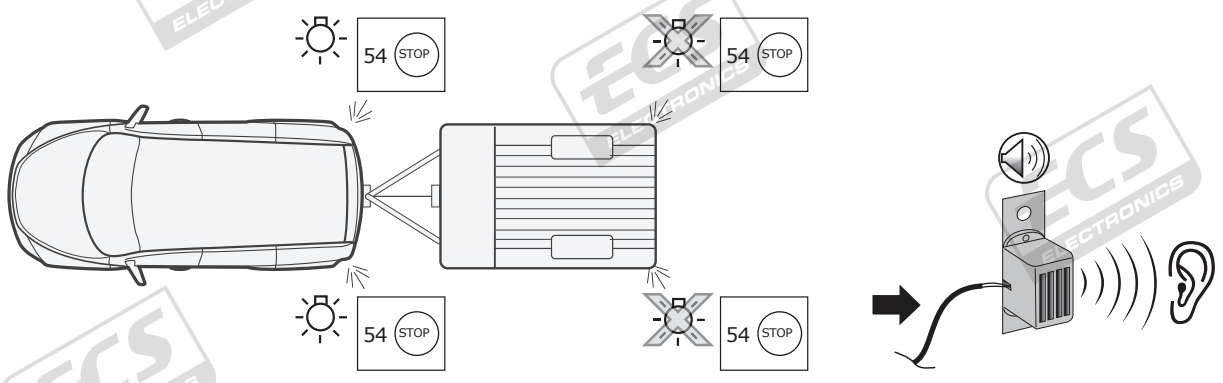
20



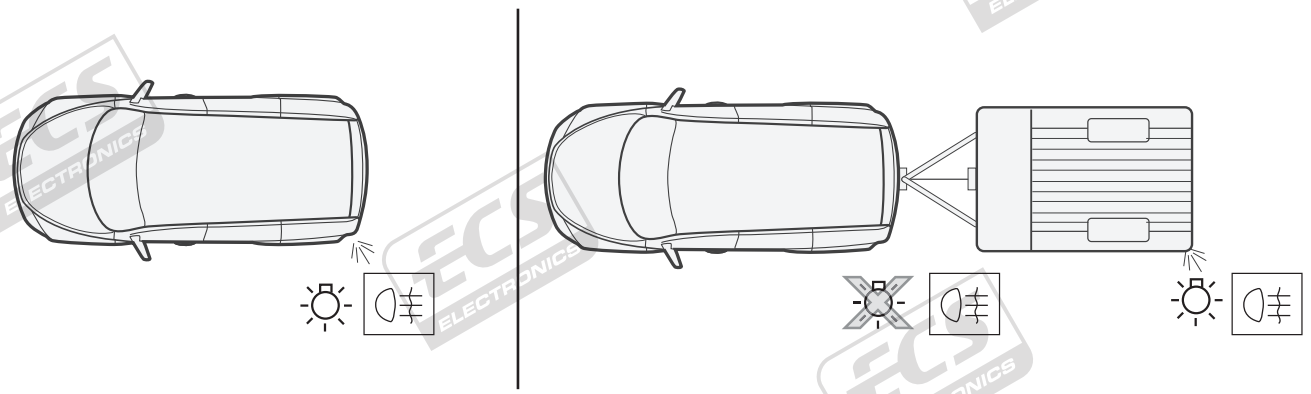
21



22



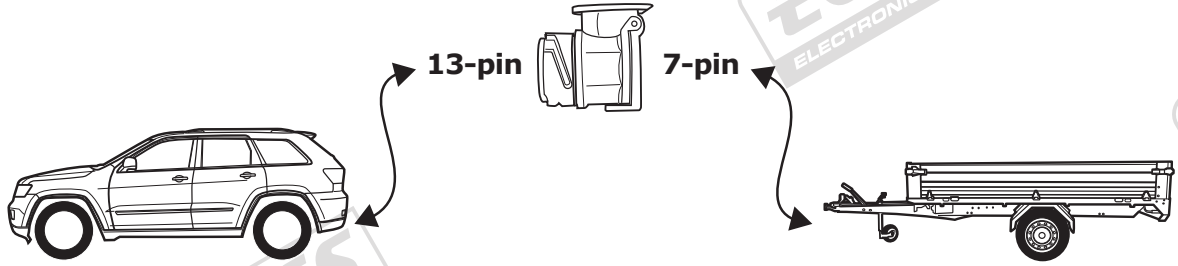
23



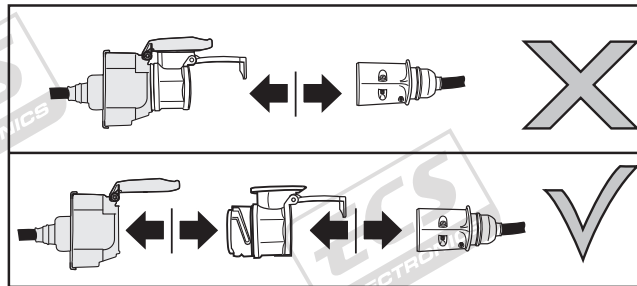
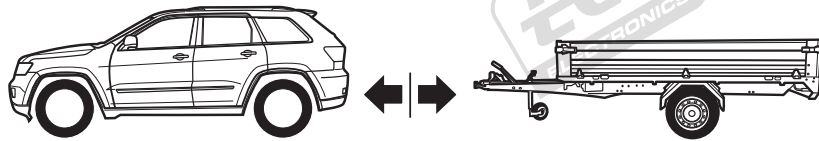
24

**Optional**

**Adapter socket**



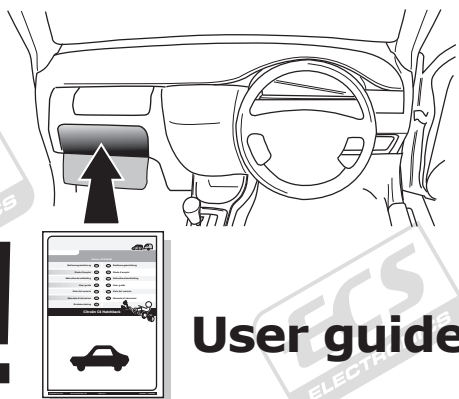
25



26

**REINSTALL TRIM.**

27



**User guide**

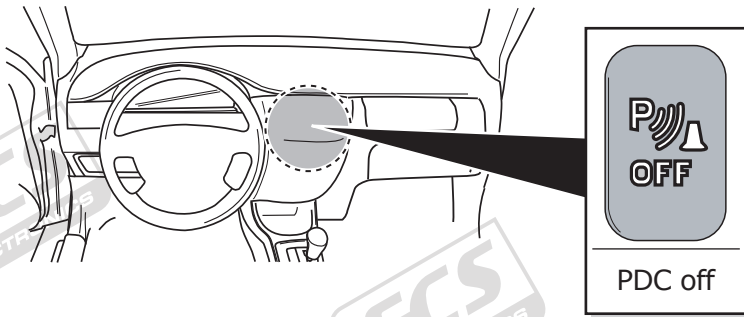
TECHNICAL SUPPORT

CALL  
07440  
202  
052

MONDAY TO FRIDAY  
08.00 - 11.00 am  
12.00 - 05.00 pm  
t.skinner@ecs-electronics.com  
www.ecs-electronicsuk.co.uk

ECS ELECTRONICS

**Option 1**



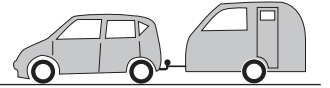
**Option 2**



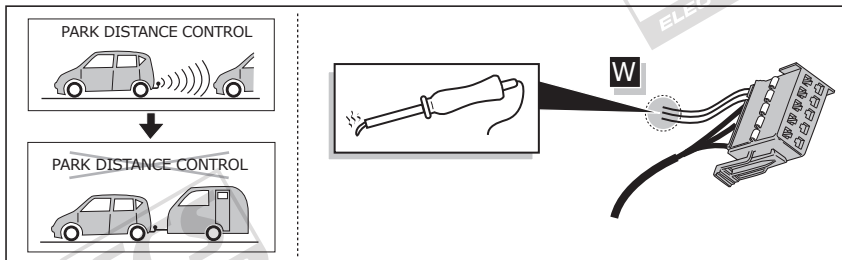
PARK DISTANCE CONTROL



PARK DISTANCE CONTROL

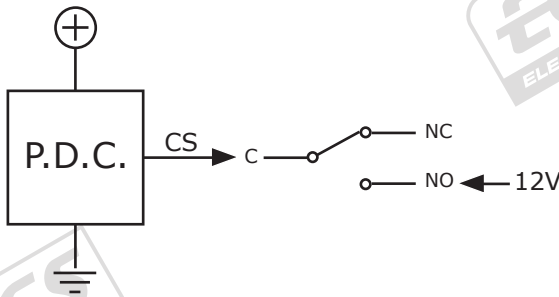


**Option 2**

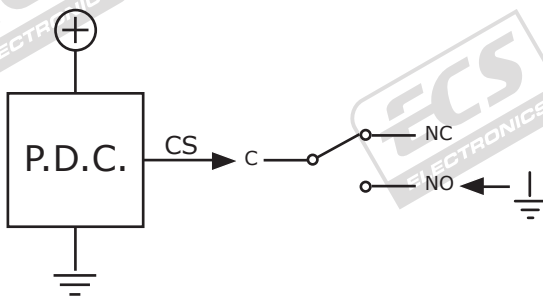


**Option 2**

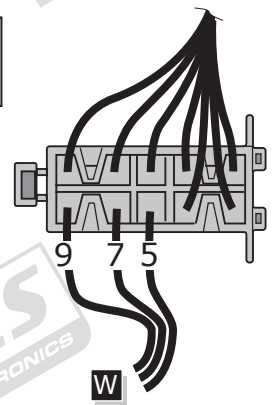
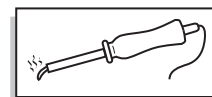
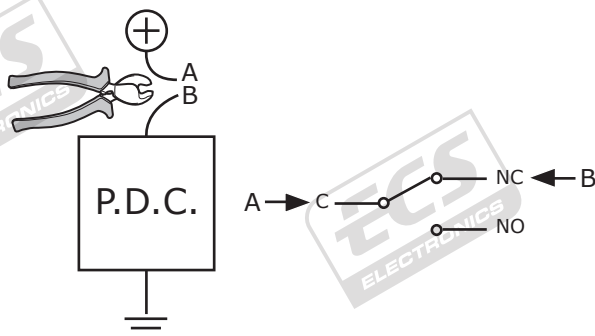
Option A



Option B



Option C



9 = C  
Red/Black

7 = NC  
Blue/Black

5 = NO  
Blue/White

SOCKET CONNECTION

DIN/ISO 11446														
Pmax	21W	2x21W			21W	52W	3x21W	52W	2x21W	180W/15Amp	180W/15Amp			
Colour	Yellow	Blue	Grey	White	Green	Brown	Red 1,00 mm <sup>2</sup>	Black	Black/ Red	Brown/ White	Red 2,50 mm <sup>2</sup>	White	Red/ Blue	White