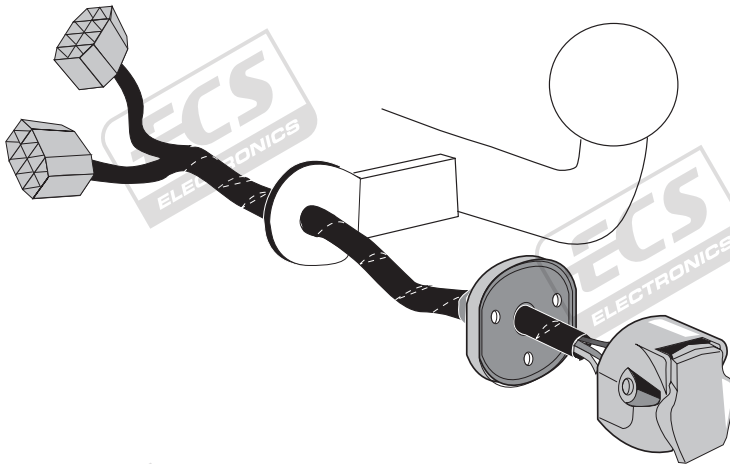


BMW

2 Series Active Tourer F45 09/2014 >>
2 Series Gran Tourer F46 06/2015 >>
X1 F48 10/2015 >>
X2 F39 03/2018 >>

Part No: BW-027-07MU

Electric wiring kit for towbars / 7-pin / 12N / 12 Volt / ISO 1724 Fitting instructions



IMPORTANT!

This electric kit has to be installed by a professional workshop or a suitable qualified person.

The installation instructions must have been read and fully understood before the start of any installation. Please contact your wiring kit provider or the hotline shown in the footer should you need assistance!

Make sure the vehicle is approved/homologated by the manufacturer to tow a trailer!

Also please check that there is a definite compatibility between this vehicle and the electric kit!

Following the installation of the electric kit, the fitting instructions should be kept together with the vehicle service document and vehicle handbook. The fitting instructions contain important information relating to the use and function of the towing kit as well as for any diagnostic or activation process, that might have to be repeated in the future (e.g. after the performance of a vehicle software update).

All warranty claims will be forfeited if the electric kit or components contained therein are used incorrectly or modified. If a towing socket adaptor has been used to connect to the trailer or bike rack, this must be removed from the trailer socket once the trailer or bike rack has been disconnected.

If the trailer or bike rack is not equipped with a rear fog lamp, depending on the towing vehicle type, the correct function of the towing kit cannot be guaranteed. In such cases, a rear fog lamp should be retro fitted.

This towing electric kit will not be covered under warranty if any technical or electrical modifications or software updates have been performed by the vehicle manufacturer after the initial commissioning of the kit. That applies especially to modifications or updates which may cause malfunctions in the trailer socket or any other part of the trailer electrical equipment!

Depending on the type of trailer module used in this electric kit, diagnostic interrogation with the vehicle's electrical system may be limited or will not function. The error memory inside the trailer module may not be able to be accessed by vehicle manufacturers diagnostic system.

Error logs relating to the trailer electrical equipment, that may be generated in the vehicle manufacturers diagnostic system as a result of a test procedure, may be due to the incorrect installation of the towing electric kit or the false activation of the trailer module.

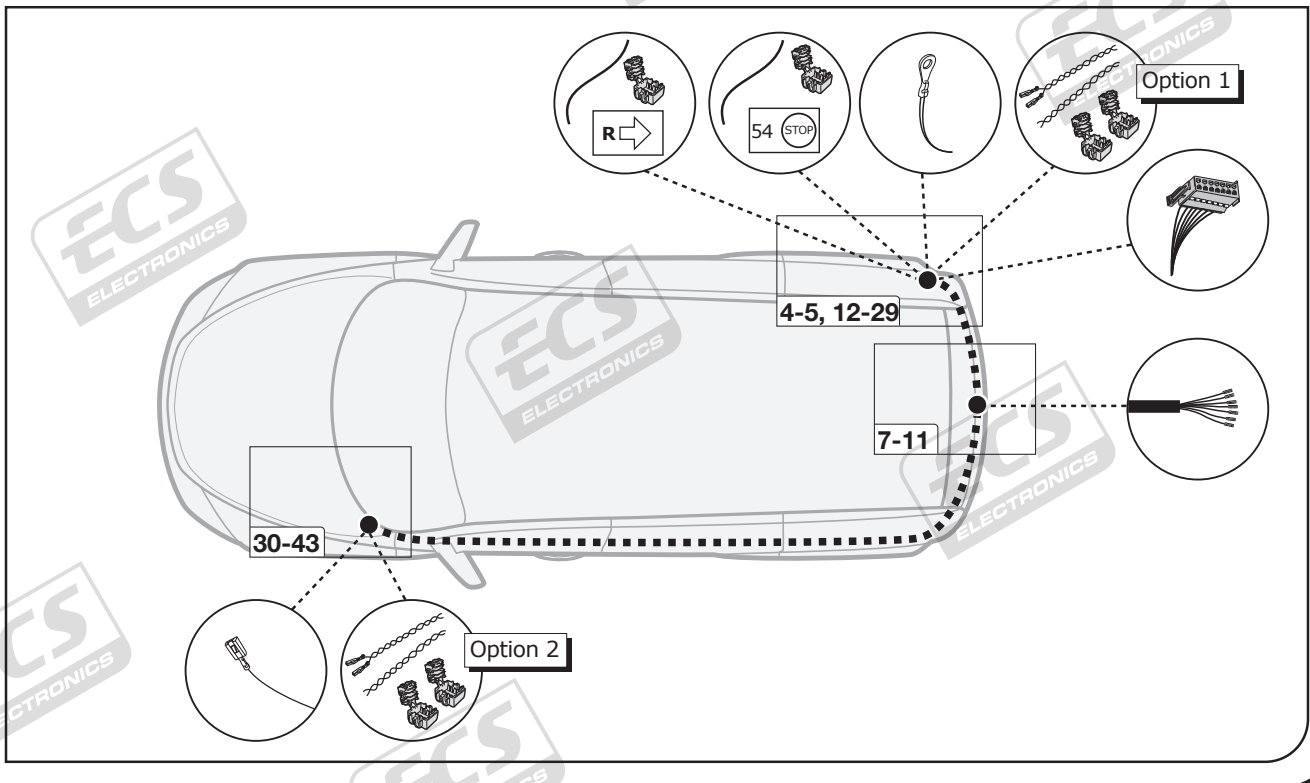
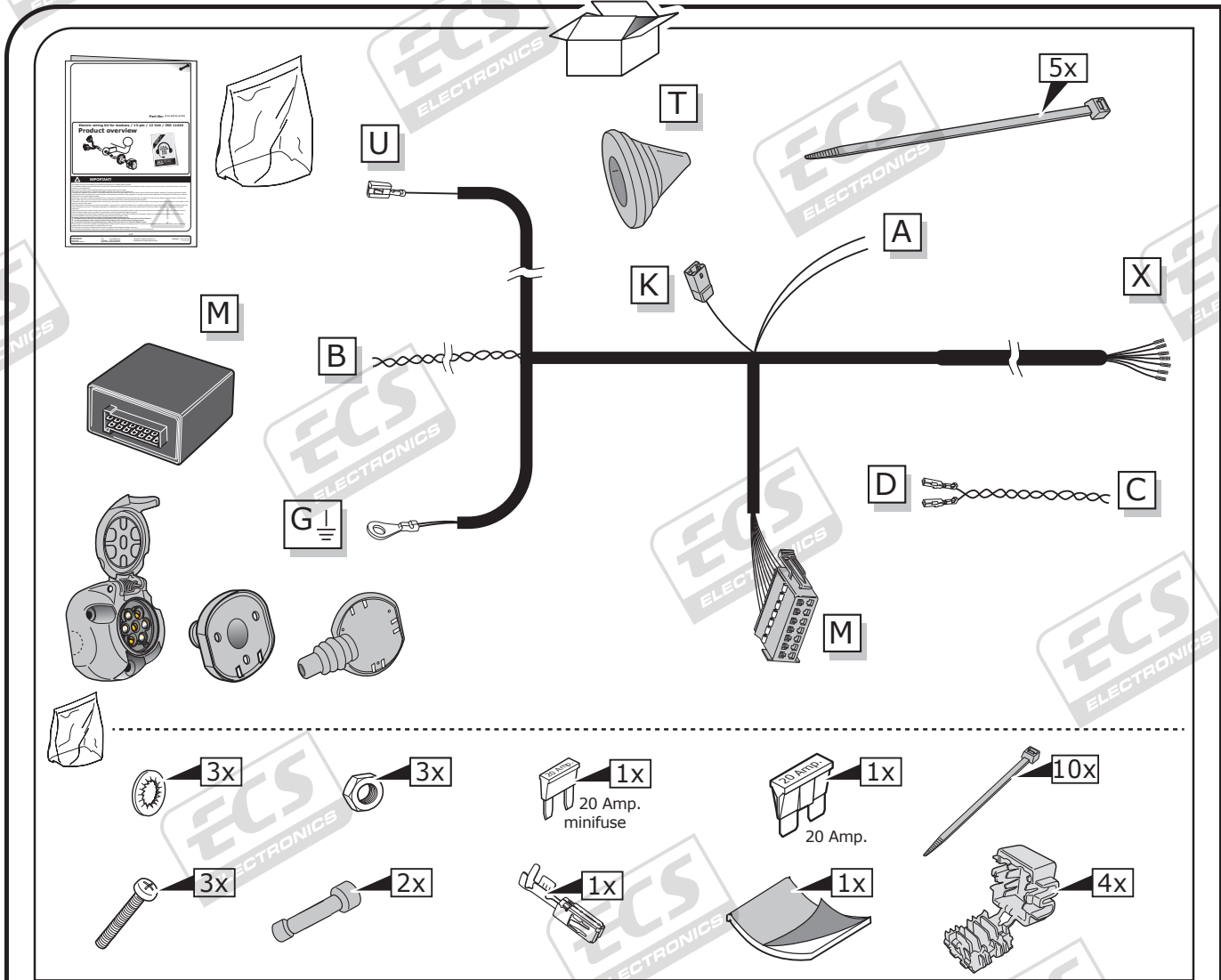
We always recommend whenever possible, the following troubleshooting process:

- An analysis of the vehicle's error memory and possibly clearing of all faults before the start of the installation!
- Try disconnecting the trailer module from the towing harness and re-start the fault clearing process!
- If in doubt, limit the time for troubleshooting to a max of 0,5 hours and call our Technical Support Team!

Please follow our instructions carefully and always test the towing electrics using a true lighting board or a specifically designed bulb tester. If an LED tester is used, ensure it is equipped with correct load resistors or malfunctions will occur!

This instruction is subject to changes and we reserve the right to make changes to design, colour etc.

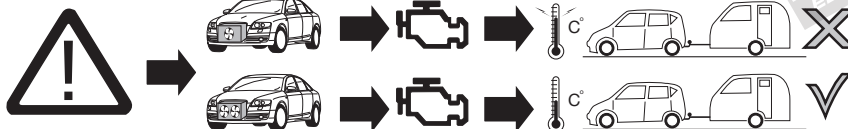
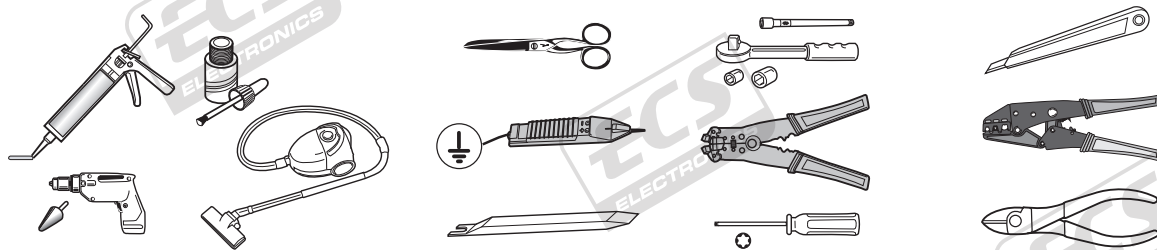
All of the data and illustrations may not be an exact representation but the text contained in this instruction must be observed!



SYMBOL EXPLANATION

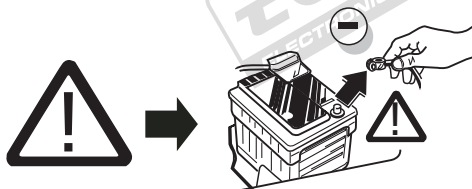
	Left (58-L) respectively Right (58-R) tail light		Cigarette lighter / accessory socket
54	Stop light (54) / high mounted, third stop light (54)		Loudspeaker / buzzer
	Turn signal indicator left		Park Distance Control
	Turn signal indicator right		Switch / source of function
	Rear fog light(s)		Connect together
	Reversing light(s)		Disconnect
	Permanent power supply / 13pin socket, chamber 9		Look at / See further information
	Charging wire for trailer battery / 13pin socket, chamber 10		Look carefully at selected area
	Trailer / trailer recognition		Present / Occupied / OK
B+ / 30	Permanent current power supply		Not present / Not occupied / Not OK
	Ground or Earth (31)		Acoustic indication
	Ground connection battery terminal lug		Attention / important advice
	Positive connection battery terminal lug		Fuse / fuse capacity 20 Ampère

TOOLS



ATTENTION!

The vehicle's cooling capacity may have to be increased when retrofitting a trailer coupling!
You must observe the manufacturer's instructions!!



Note: It may be necessary to check if this vehicle has a stored radio code before disconnecting the battery!



ATTENTION!

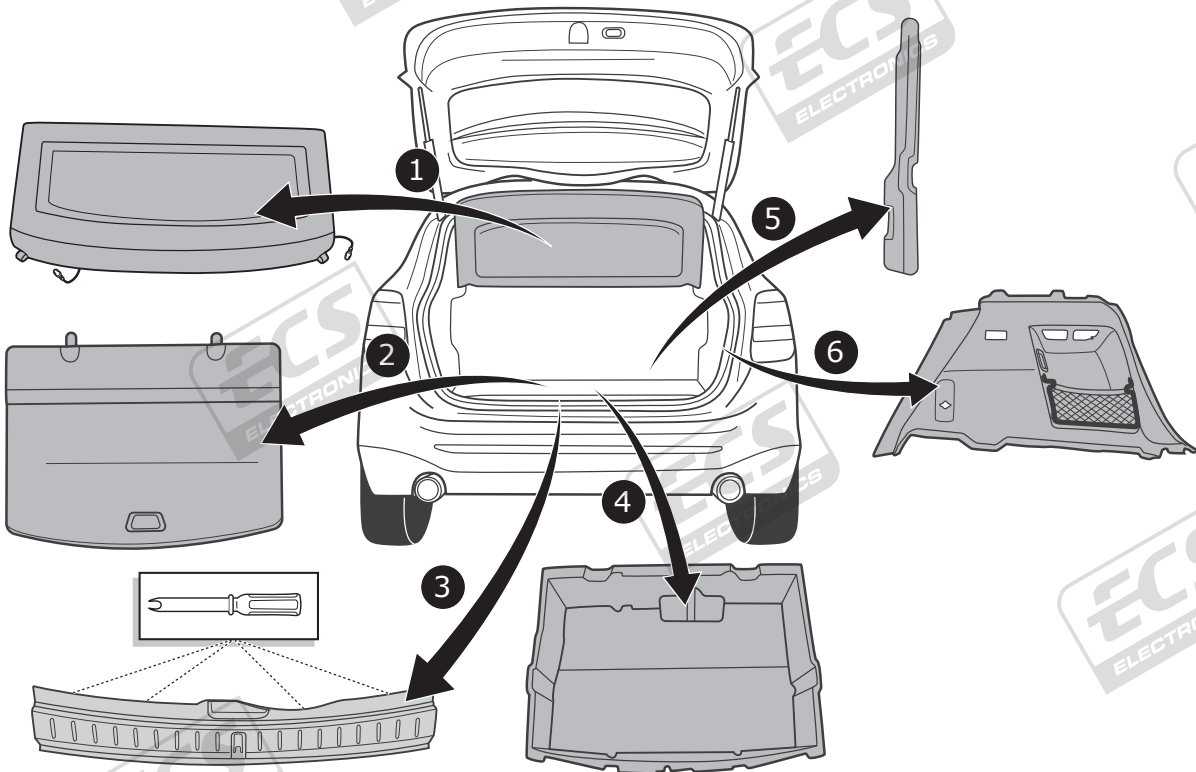
In order to avoid mal-functions and damage to the vehicle's electrical system the earth terminal **must be disconnected** from the vehicle's battery **before starting work!**

Both the trailer module and the vehicle's control unit for the electrical system can be damaged during work on the data bus connections if the battery is not disconnected!

Please pay attention to the manufacturer's instructions when disconnecting and reconnecting the vehicle's battery!

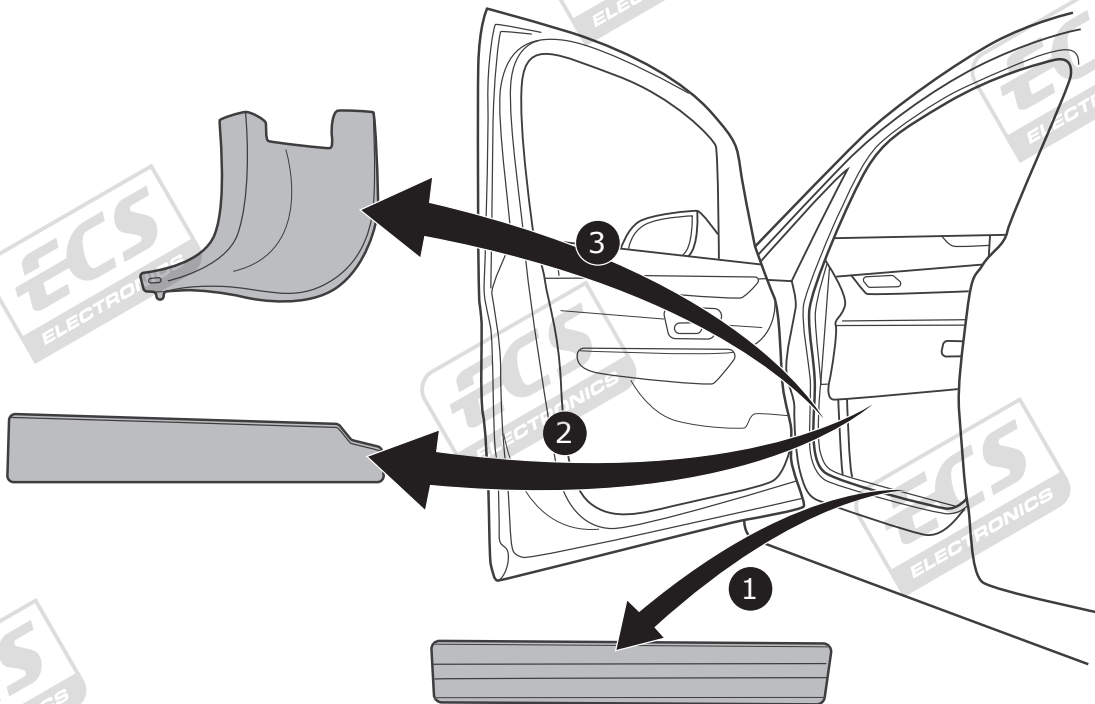
1

BMW



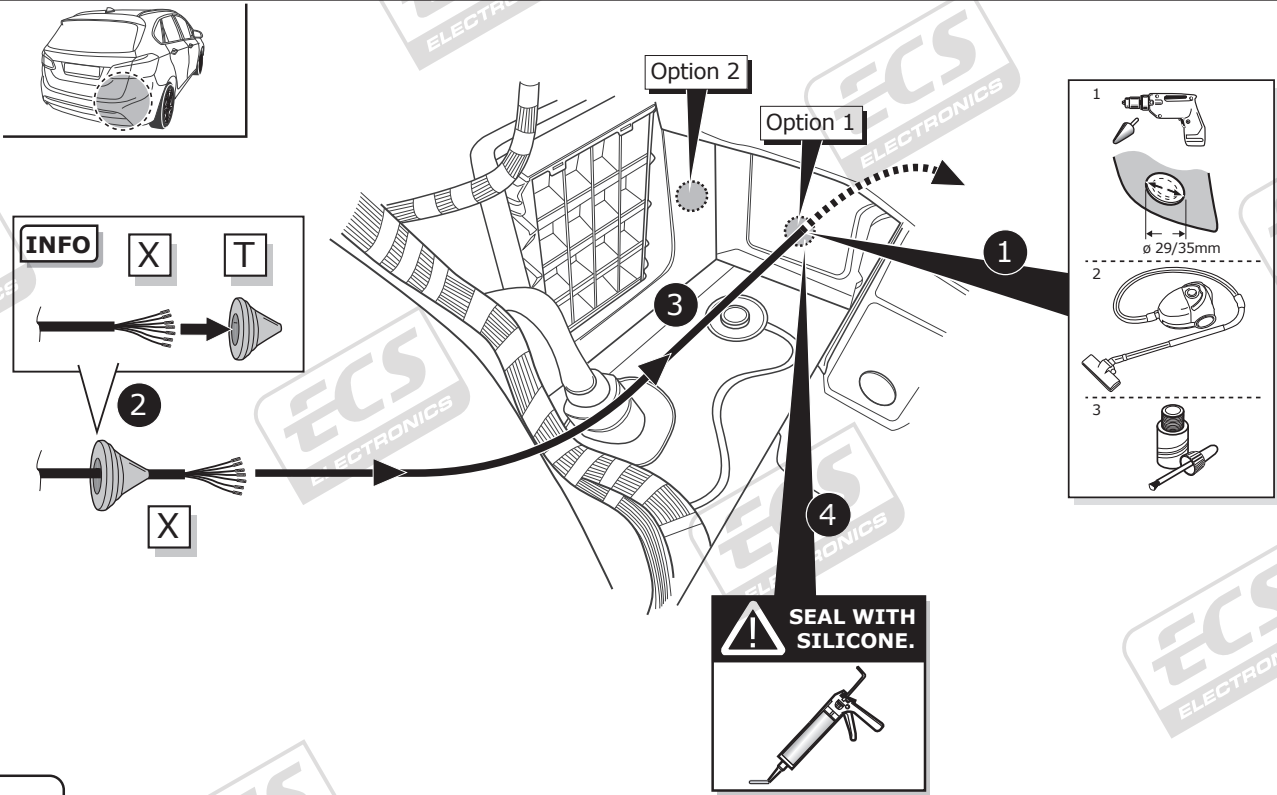
2

BMW



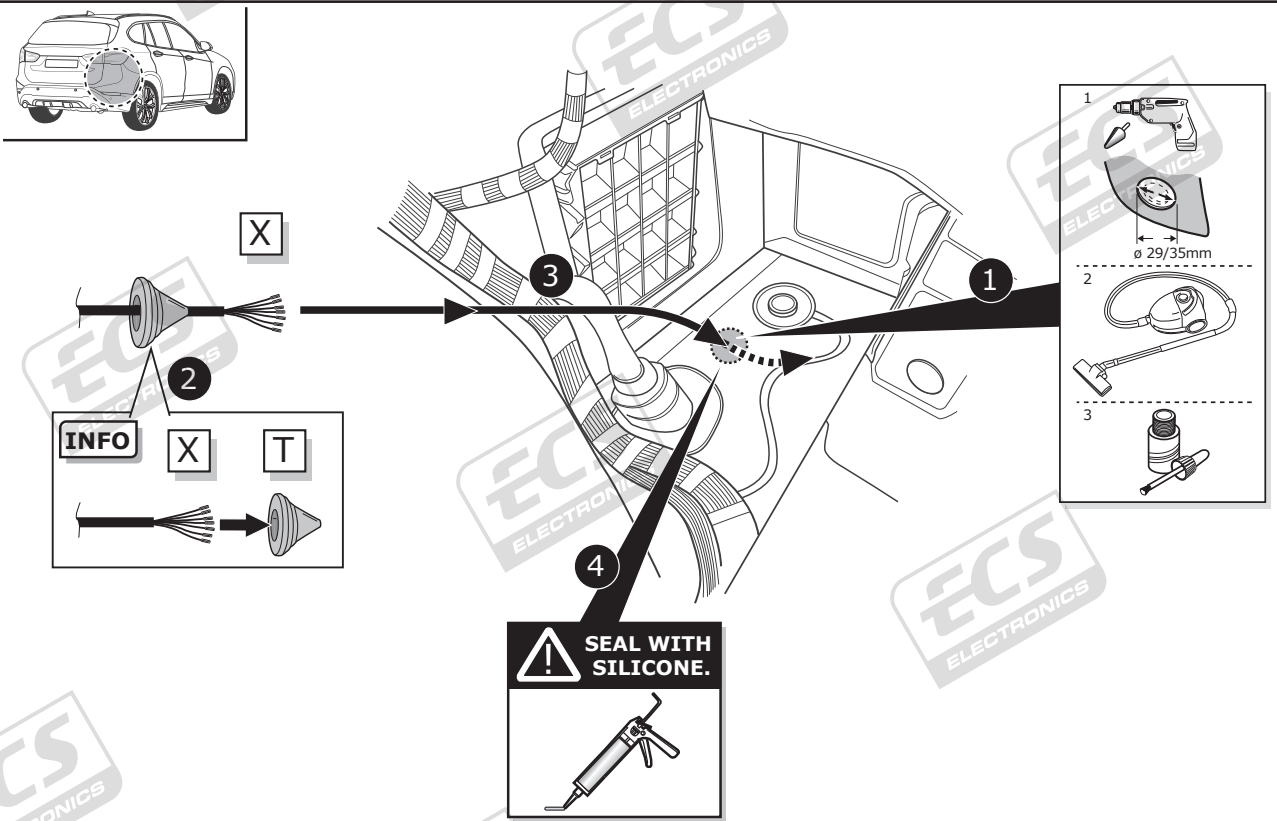
3

BMW F45 / F46



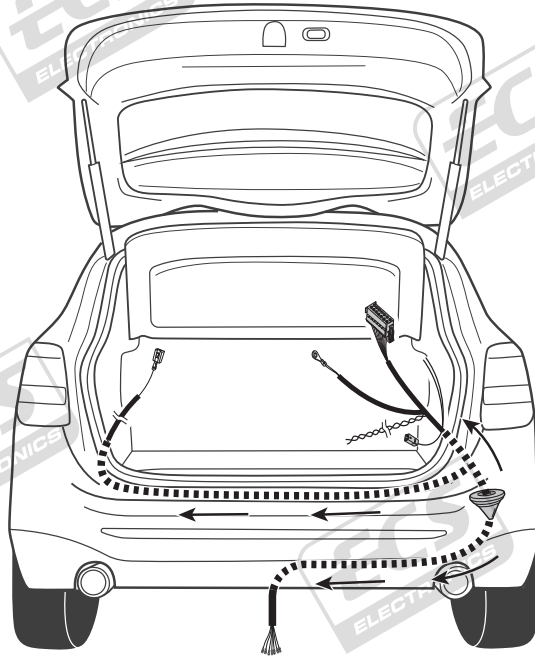
4

BMW F48 / F39

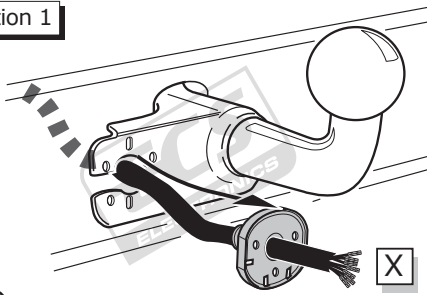


5

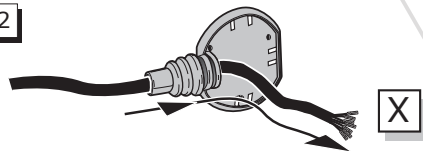
6



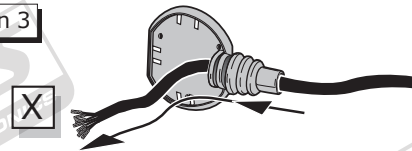
Option 1



Option 2



Option 3



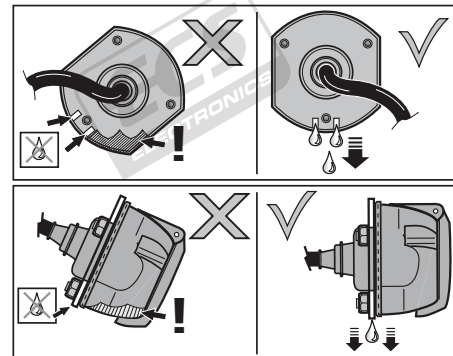
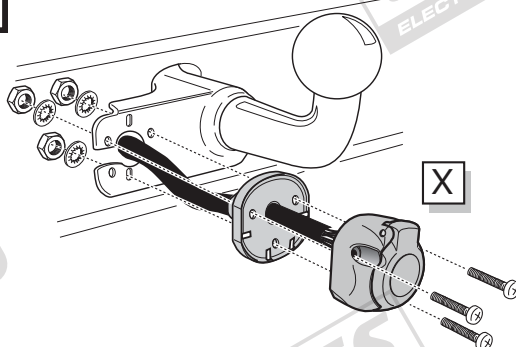
7

SOCKET CONNECTION

DIN/ISO 1724	←L	⊕	⚡ 1-7	R→	☀	⊞	☀
	1/L	2	3/31	4/R	5/58-R	6/54	7/58-L
Pmax	21W	21W		21W	42W	3x21W	42W
	Yellow	Blue	White	Green	Brown	Red	Black

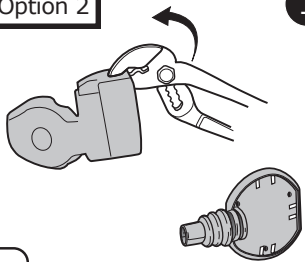
8

Option 1

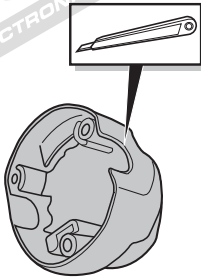


9

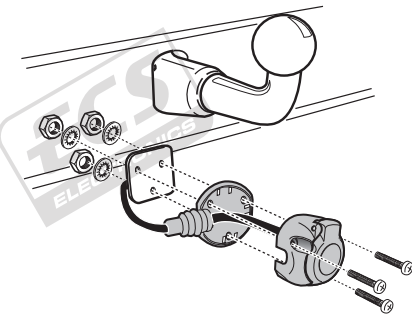
Option 2



1



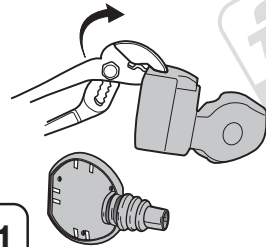
2



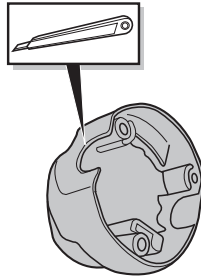
3

10

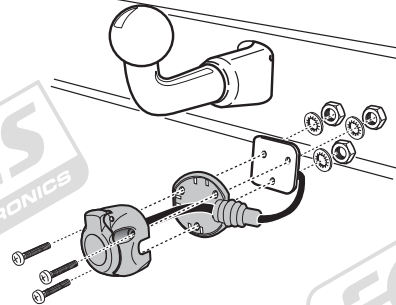
Option 3



1



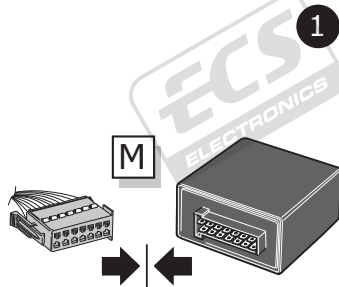
2



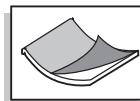
3

11

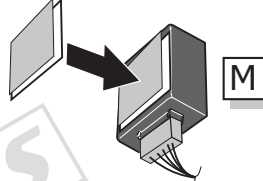
BMW F45 / F46



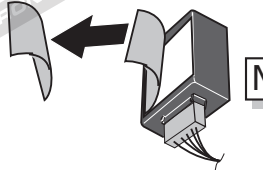
1



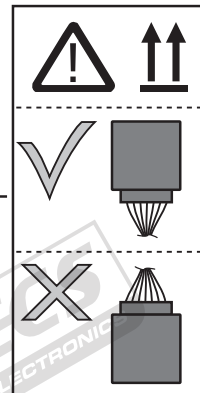
2



3

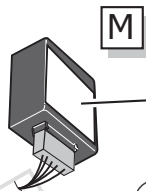


4

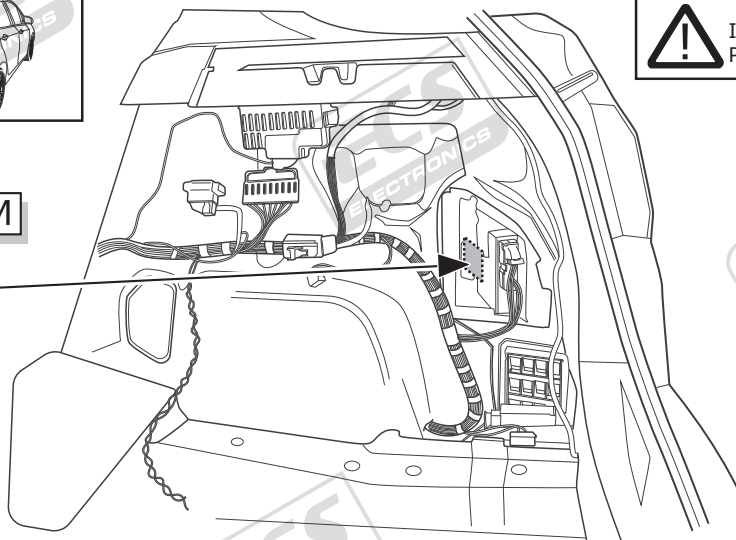


12

BMW F45 / F46



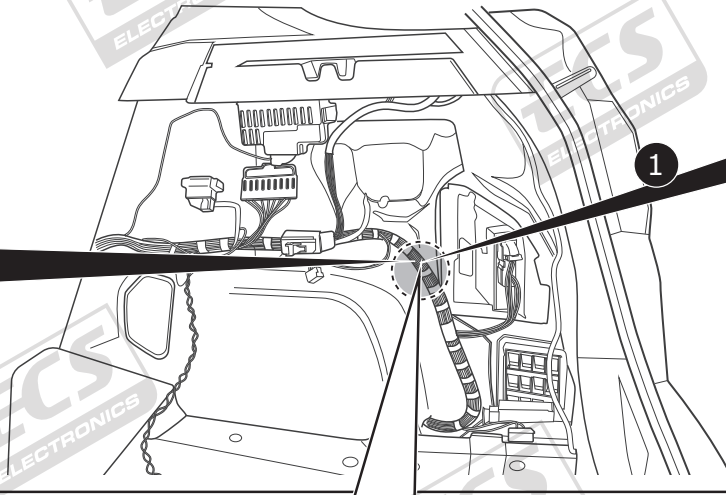
M



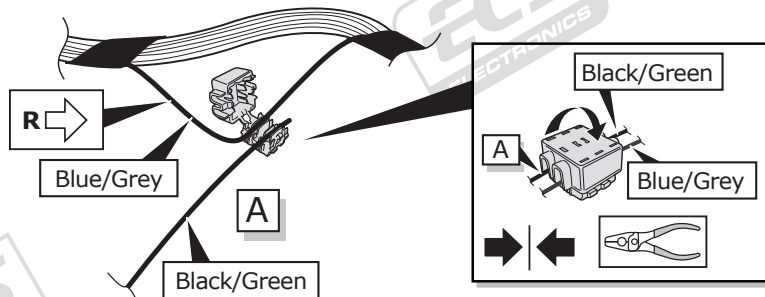
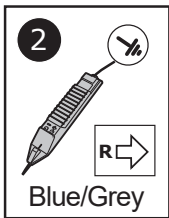
Important!
Please note informations in picture 1!

13

BMW F45 / F46

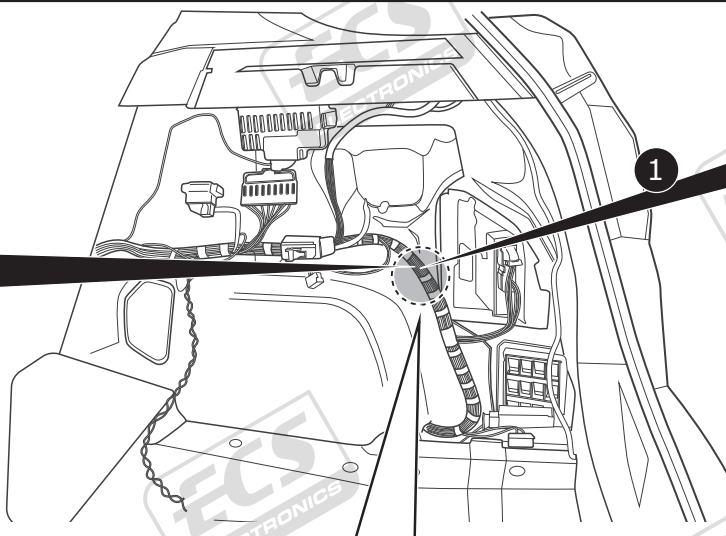


1 Remove tape

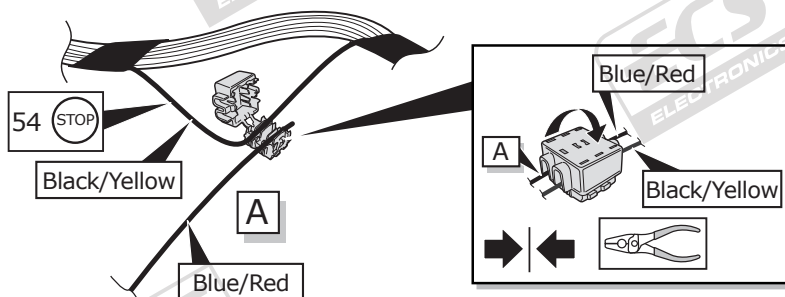
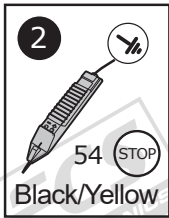


14

BMW F45 / F46

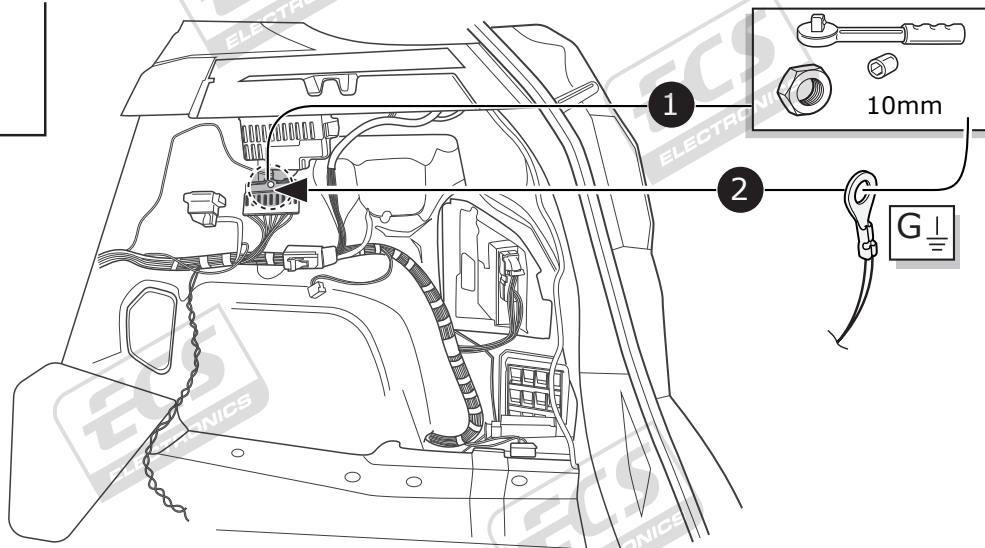
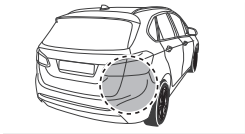


1 Remove tape



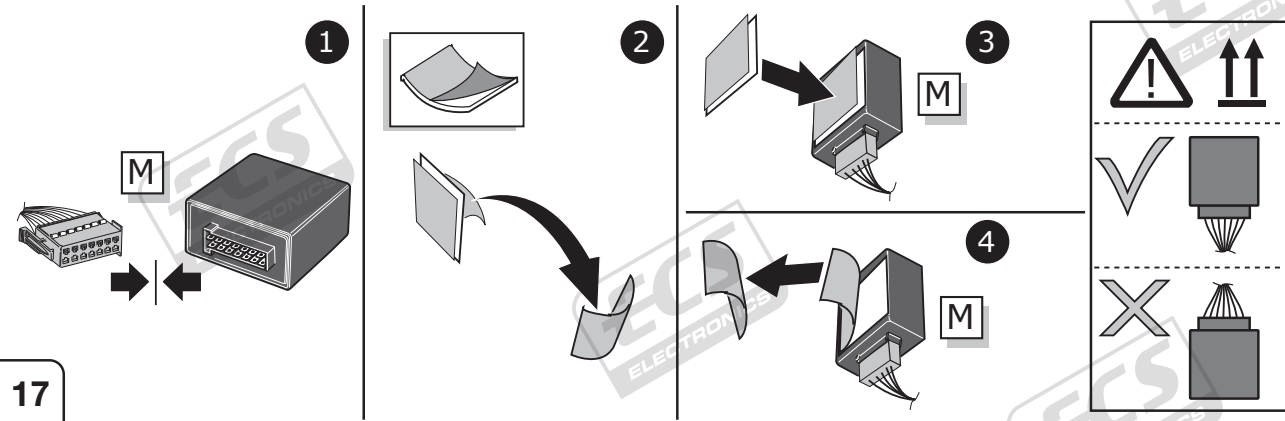
15

BMW F45 / F46



16

BMW F48 / F39

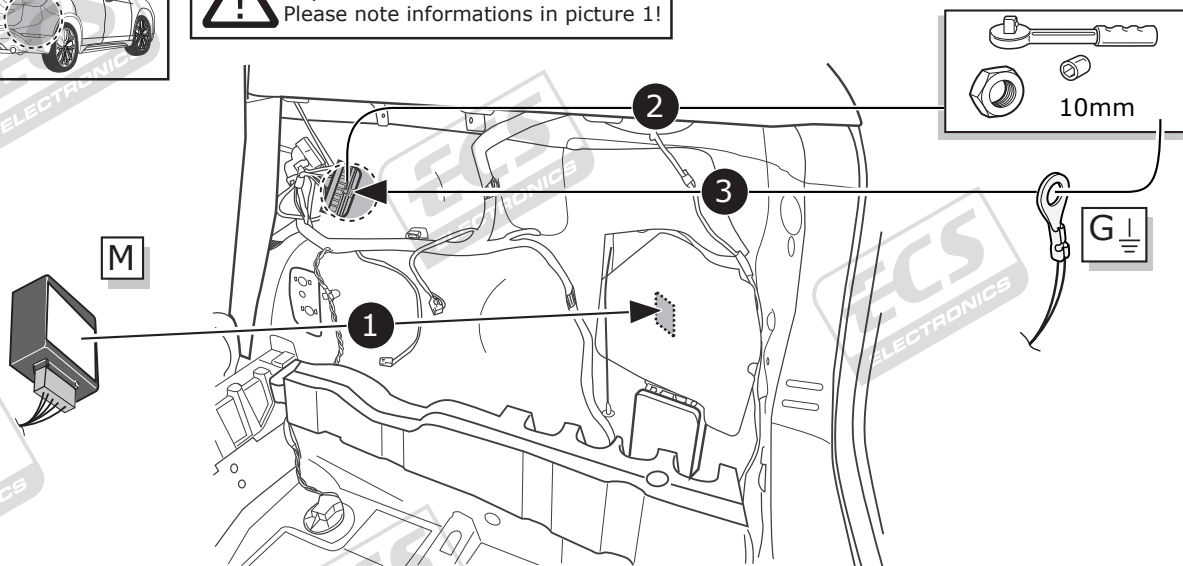


17

BMW F48 / F39

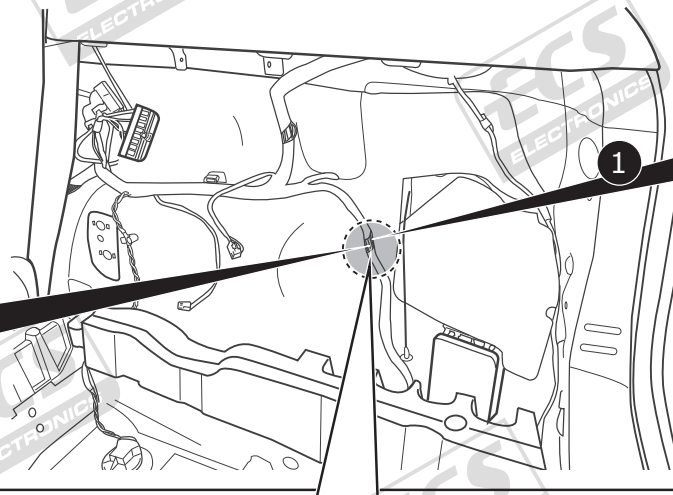


! Important!
Please note informations in picture 1!



18

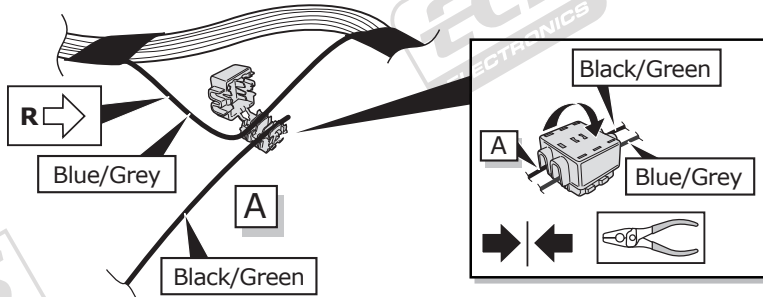
BMW F48 / F39



1 Remove tape

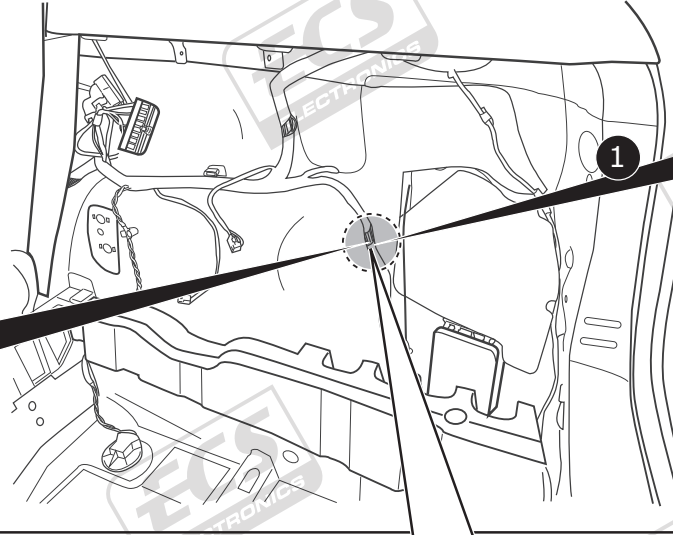
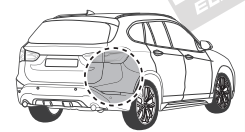
2

Blue/Grey



19

BMW F48 / F39

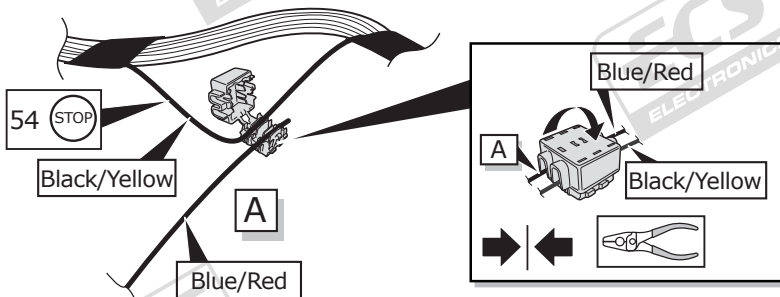


1 Remove tape

2

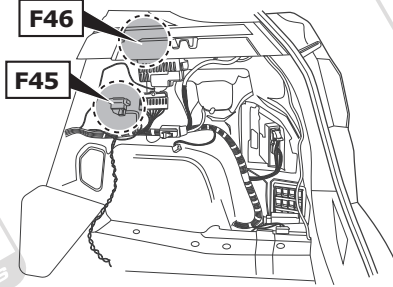
54 STOP

Black/Yellow

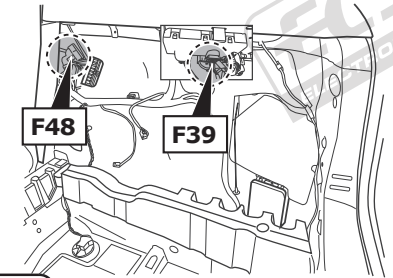


20

BMW F45 / F46



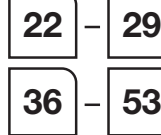
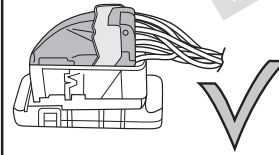
BMW F48 / F39



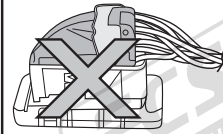
CAN-Data Wire



Option 1



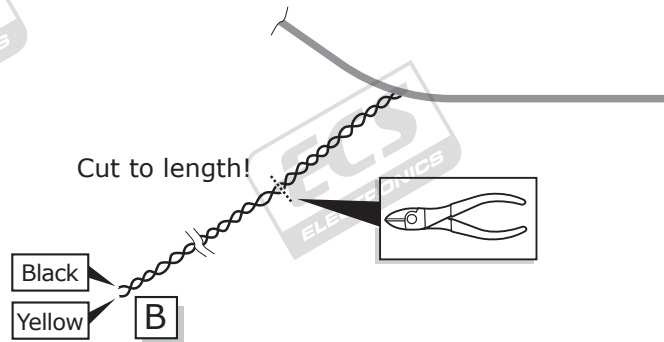
Option 2



Important!
Please note informations in picture 1!

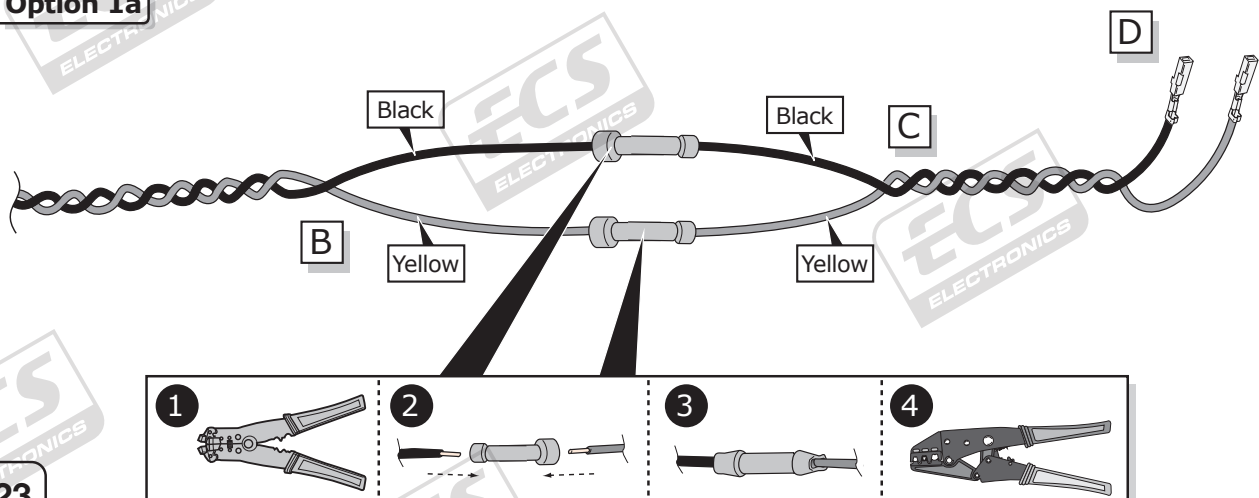
21

Option 1



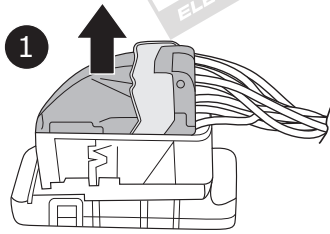
22

Option 1a



23

Option 1a



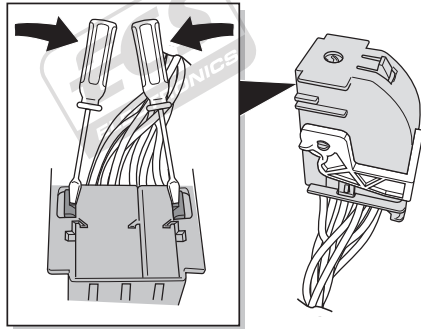
CAN-Data Wire



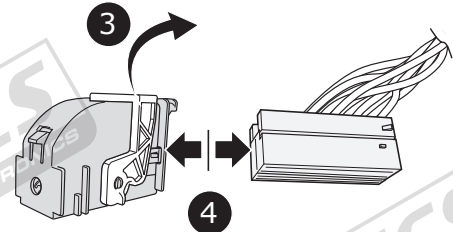
Important!
Please note informations in picture 1!



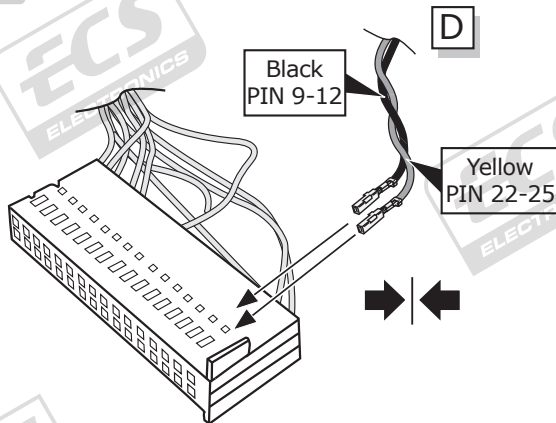
24



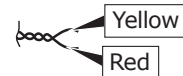
2



Option 1a



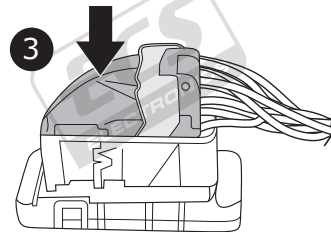
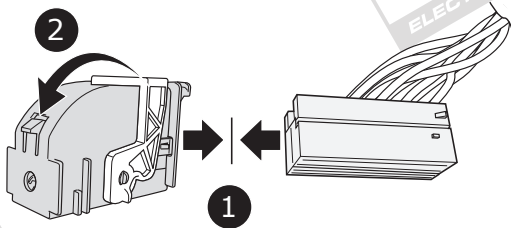
CAN-Data Wire



Important!
Please note informations in picture 1!

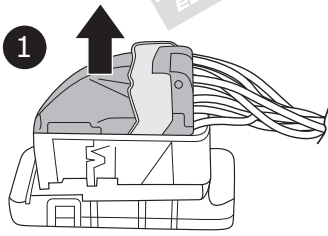
25

Option 1a

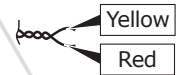


26

Option 1b



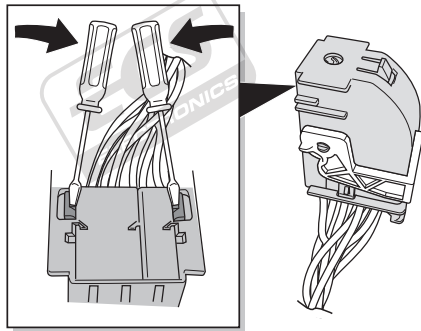
CAN-Data Wire



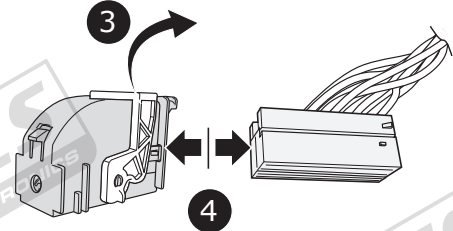
Important!
Please note informations in picture 1!



27



2



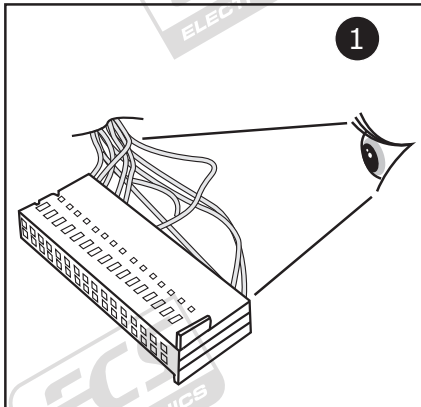
4

Option 1b

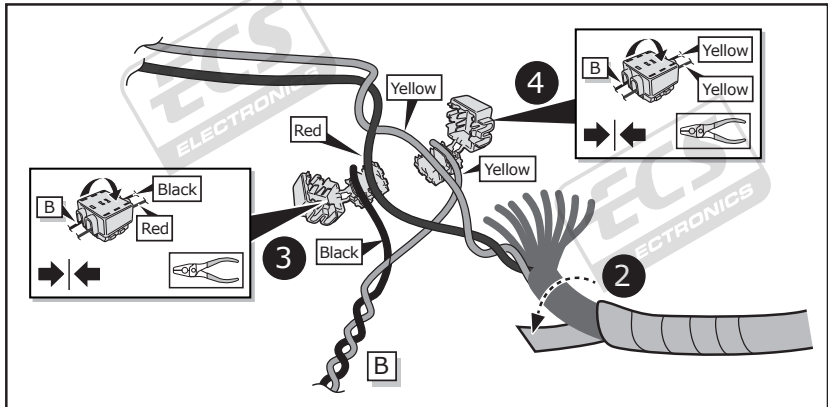


Important!
Please note informations in picture 1!

CAN-Data Wire



1



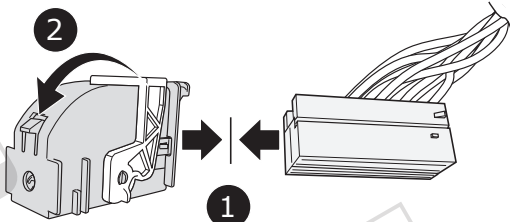
2

3

4

28

Option 1b

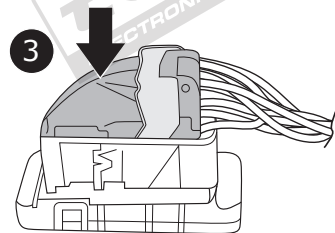


2

1

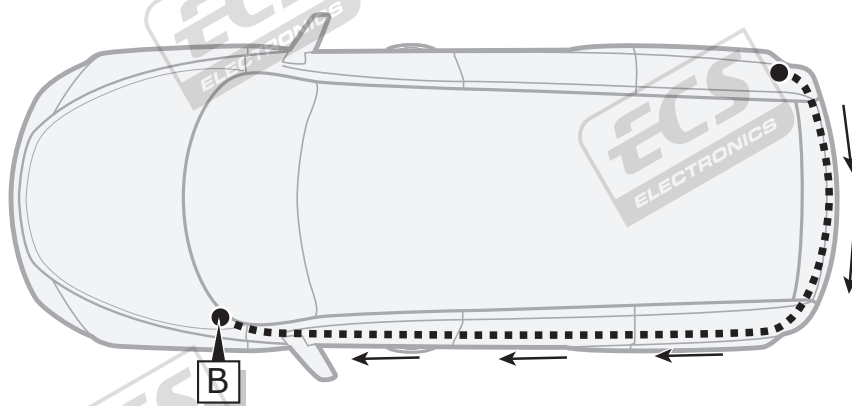


3



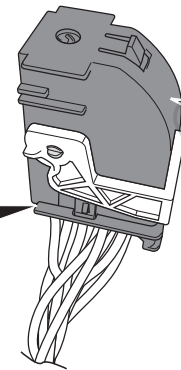
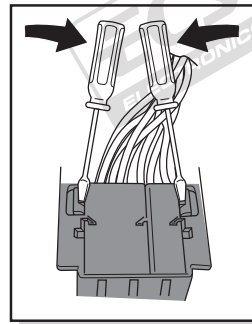
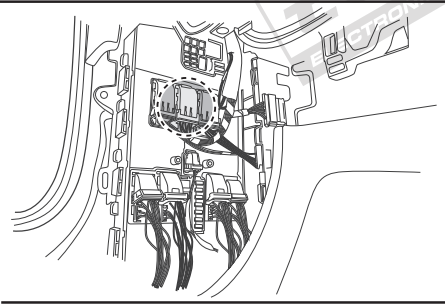
29

Option 2



30

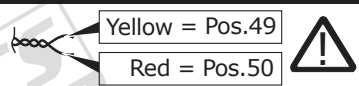
Option 2



Black 54-pin

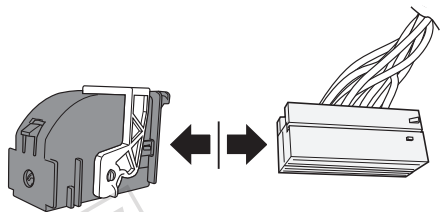
1

CAN-Data Wire

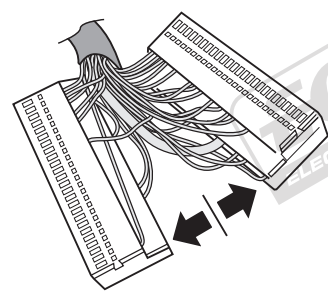


Important!
Please note informations in picture 1!

2

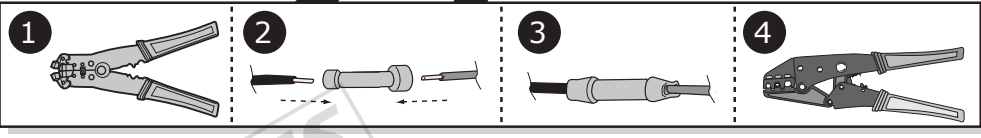
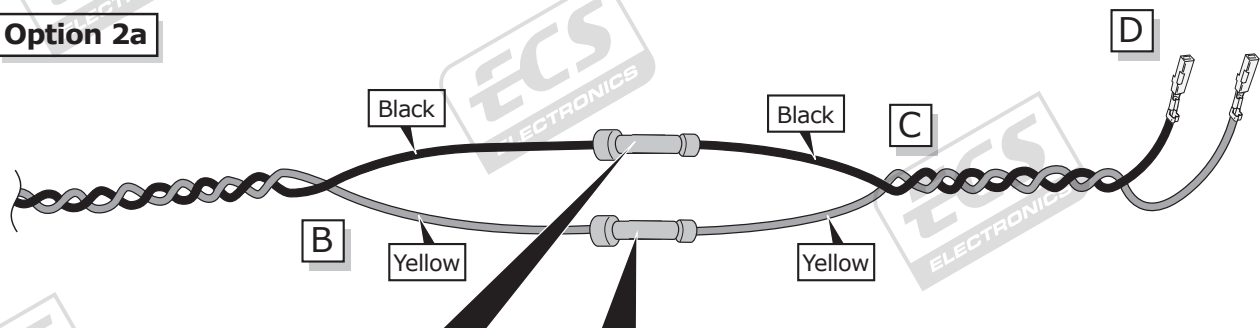


3



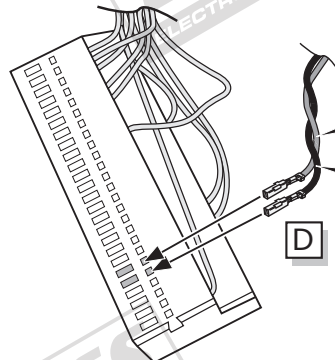
31

Option 2a

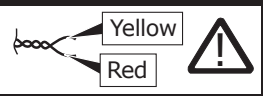


32

Option 2a



CAN-Data Wire

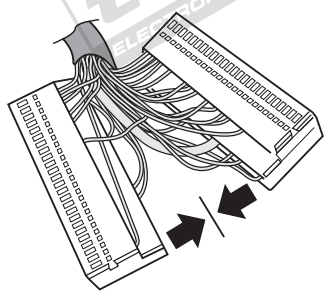


Yellow
Pos. 49
Black
Pos. 50

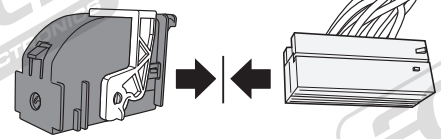
Important!
Please note informations
in picture 1!

33

Option 2a

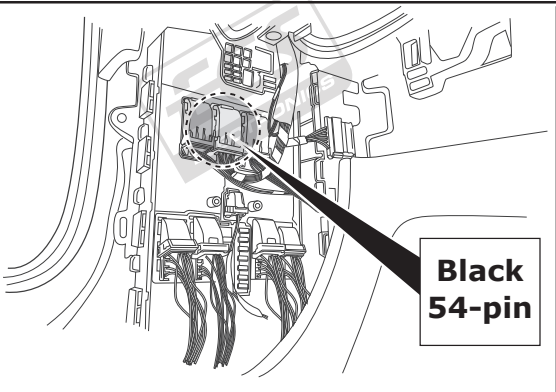


1

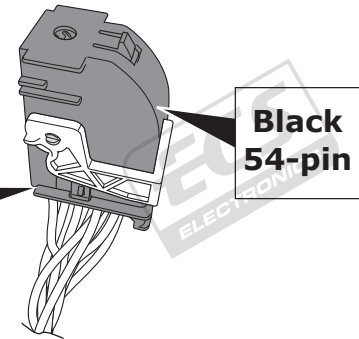
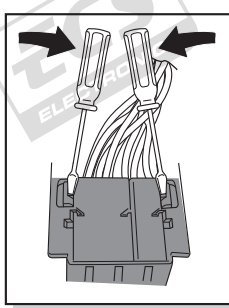


2

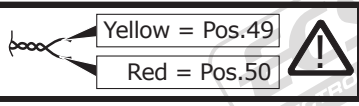
34



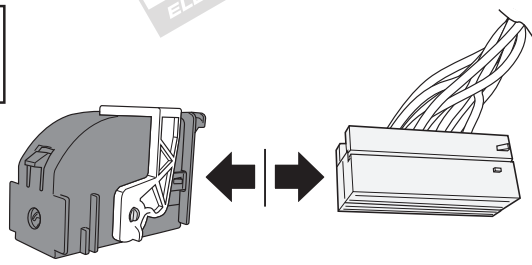
Option 2b



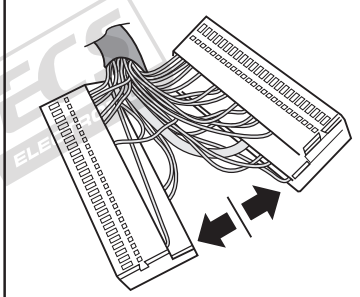
CAN-Data Wire



Important!
Please note informations
in picture 1!

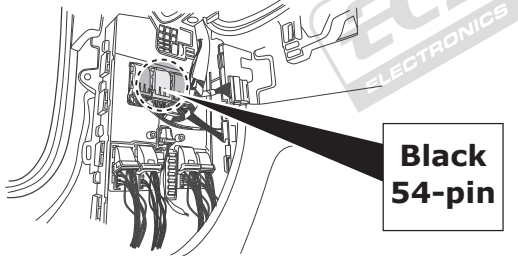


2



3

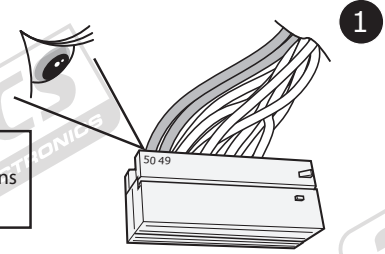
35



Black 54-pin

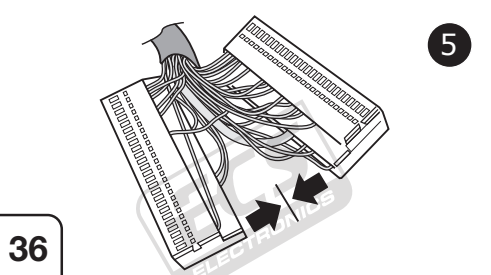
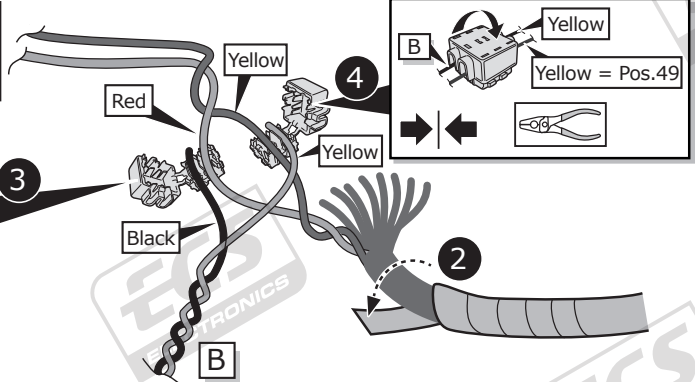
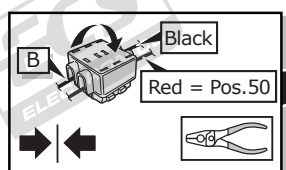
Option 2b

Important!
Please note informations
in picture 1!

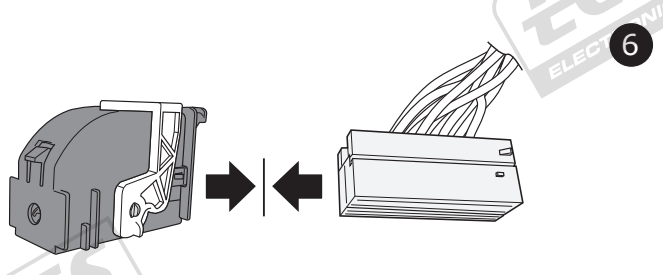


CAN-Data Wire

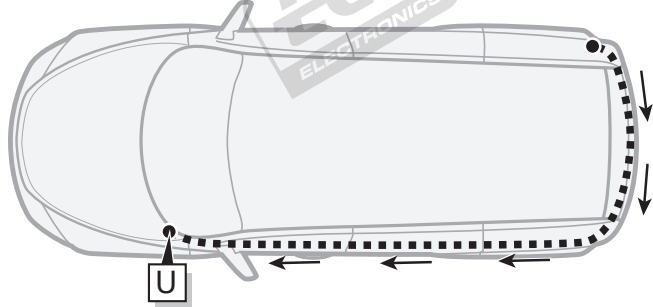
Yellow = Pos.49
Red = Pos.50



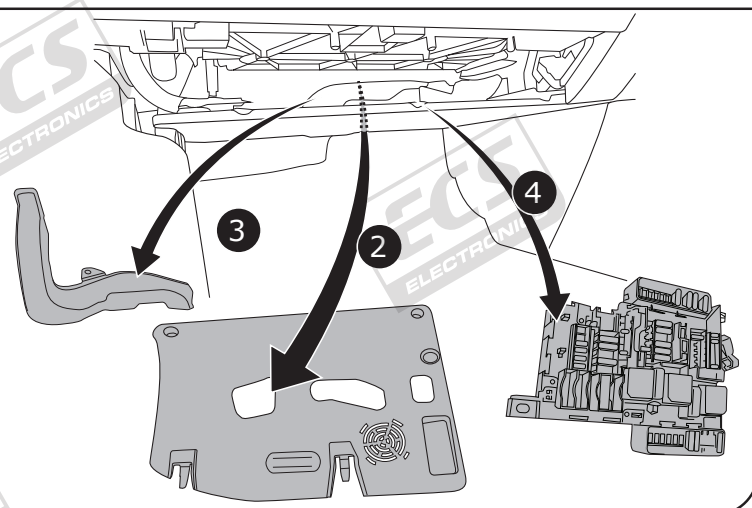
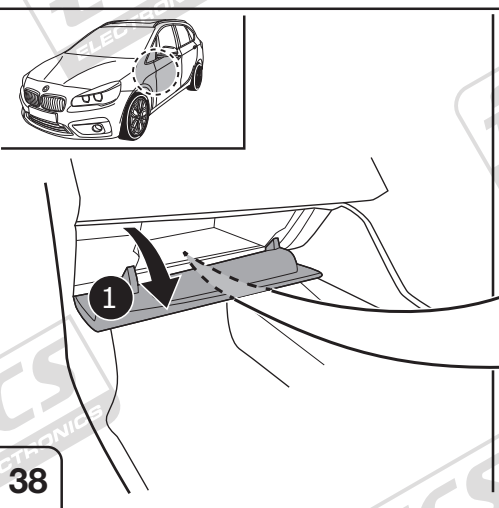
36



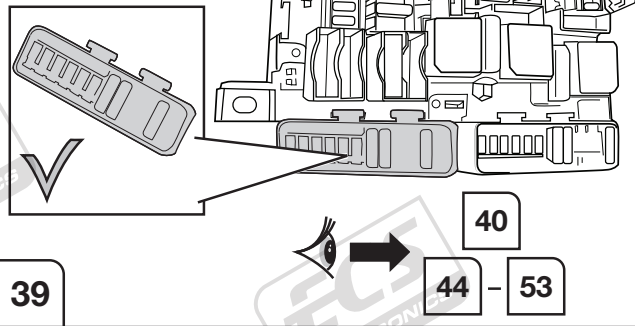
37



38

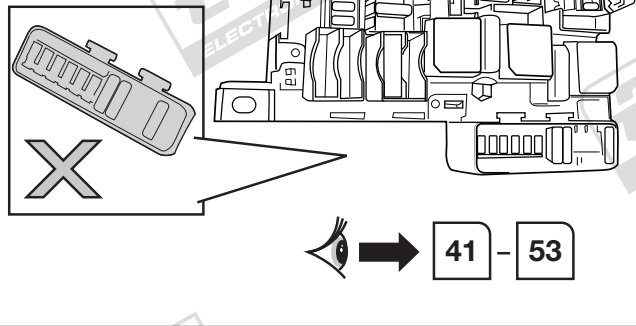


Option 1



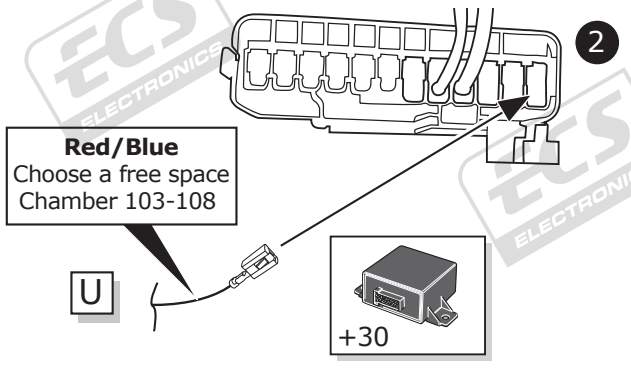
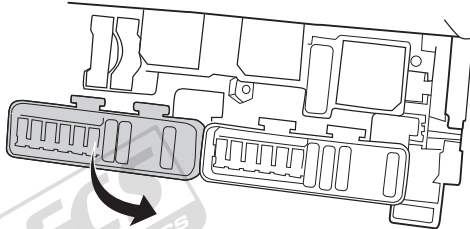
39

Option 2

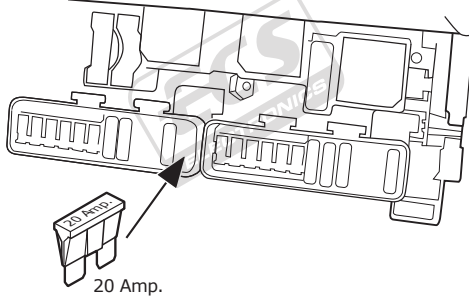
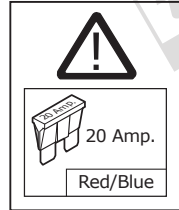


Option 1

1



2

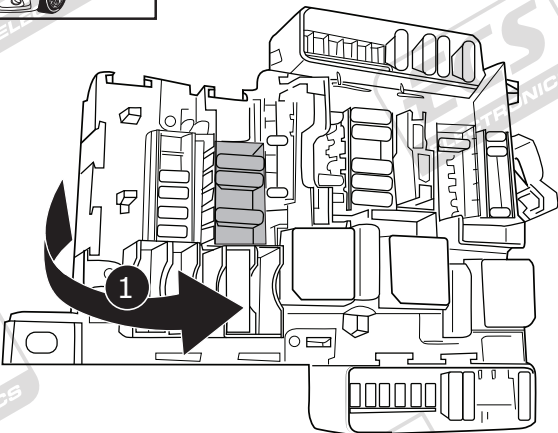


3

40

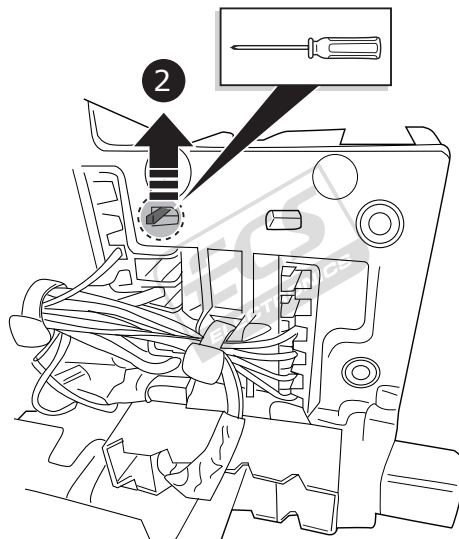


Option 2



41

Disengage secondary lock

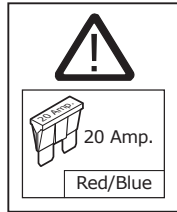
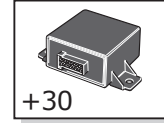
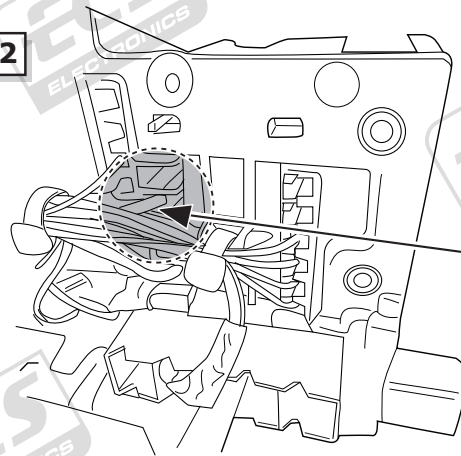




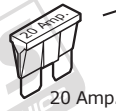
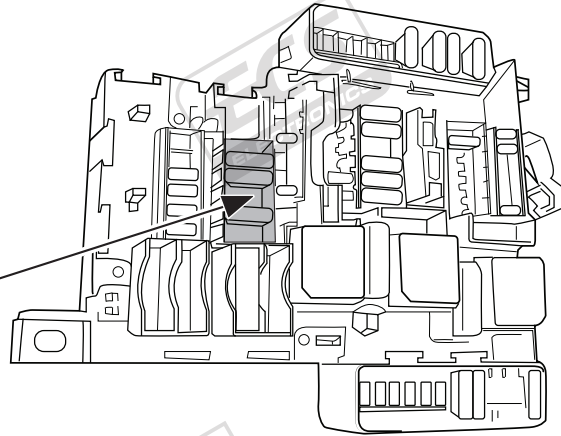
Option 2

1

Red/Blue
Choose a free space
Chamber 43-48

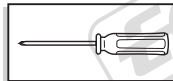


2

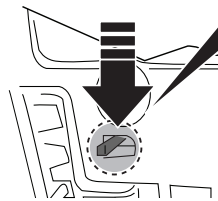


42

Option 2



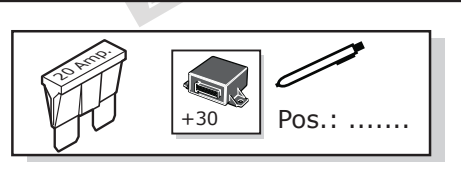
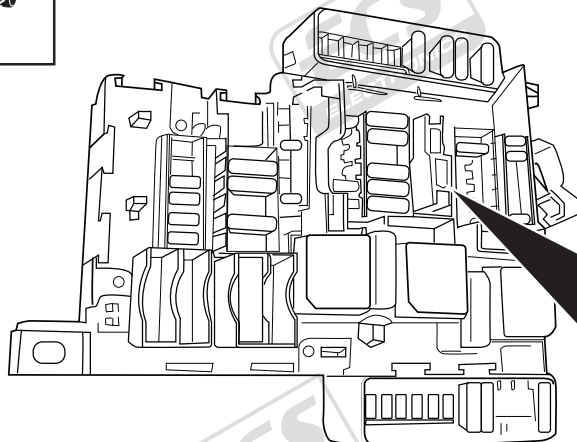
Engage secondary lock



43



Please note the new fuse position !!

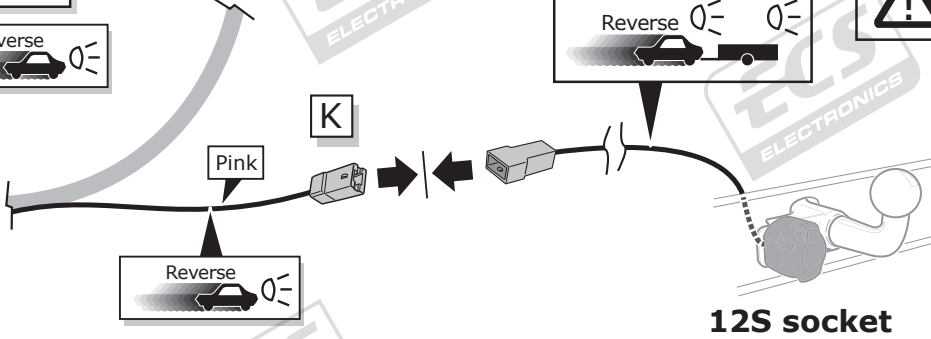


44

Optional



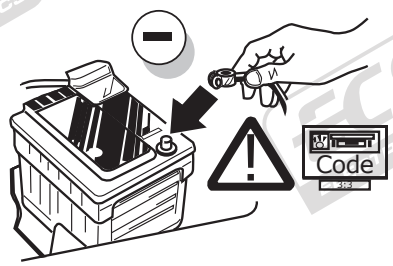
MAX = 21W



45

12S socket

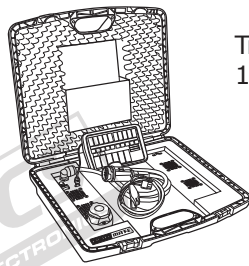
46



Optional



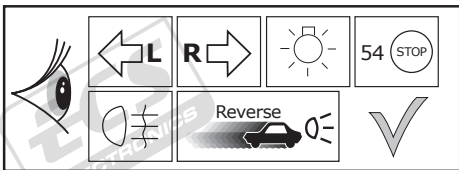
Consult your supplier.



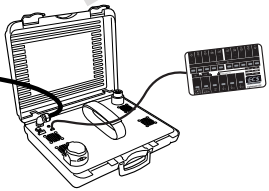
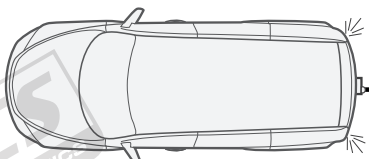
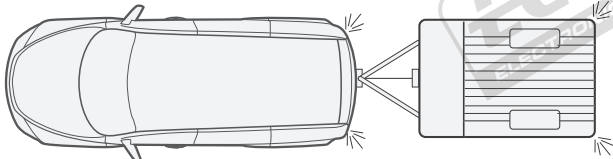
Trailer Simulator for 7- and 13-pin Sockets

47

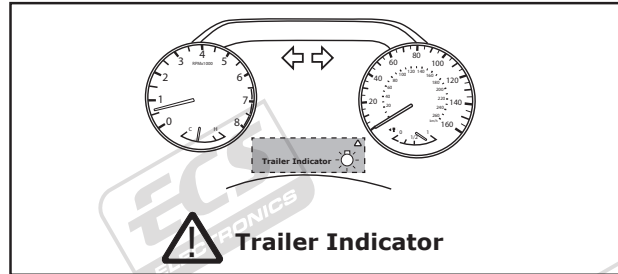
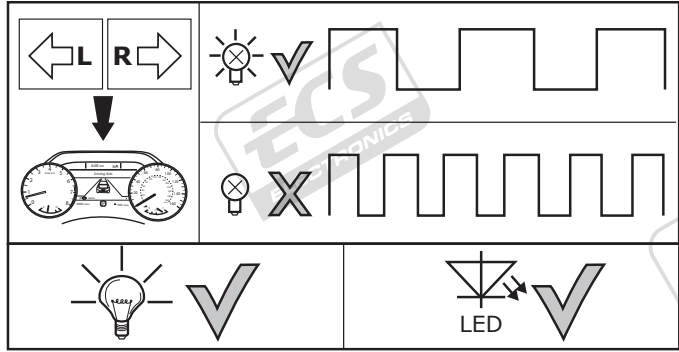
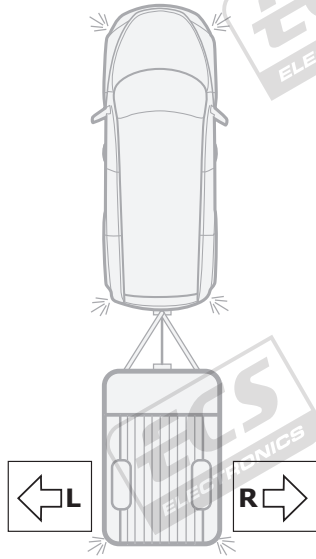
Functional test



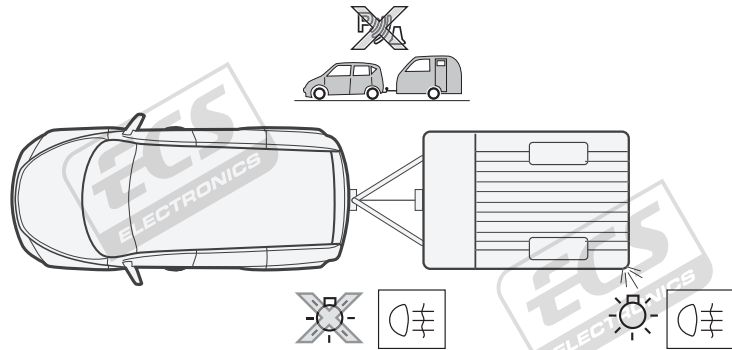
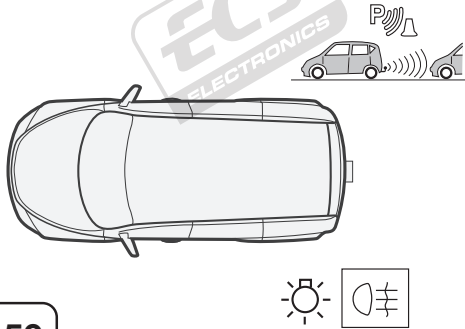
LIGHT MATE



48



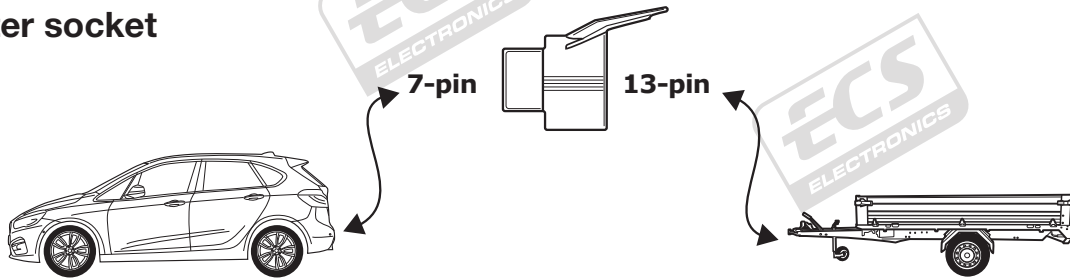
49



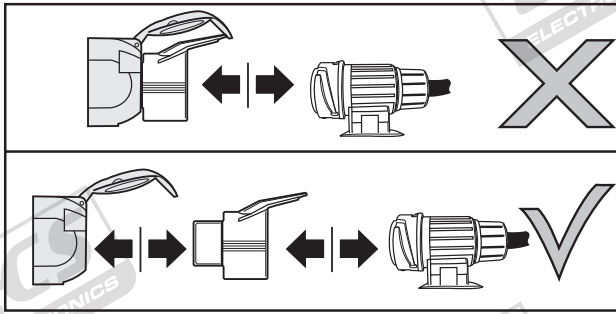
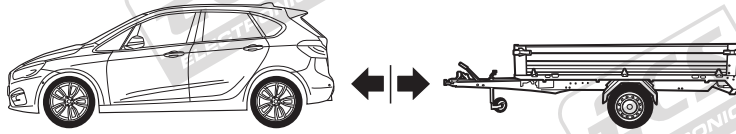
50

Optional

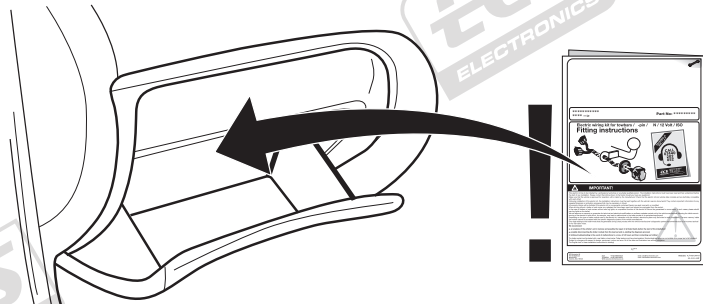
Adapter socket



51



52



53