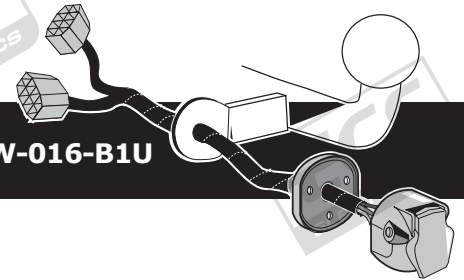


BMW 5 Series E39 Station 12/1995 - 09/2000

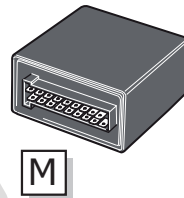
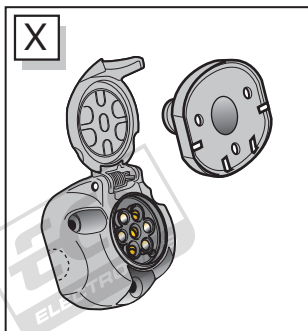
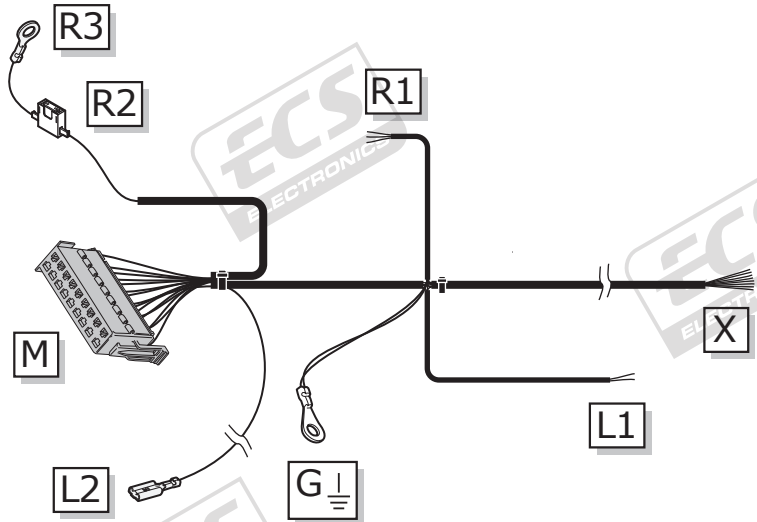
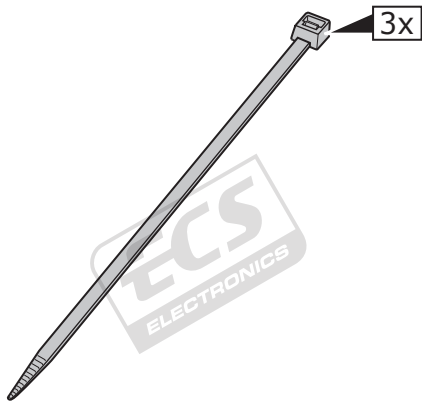
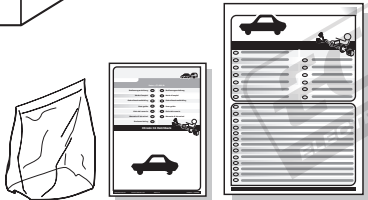
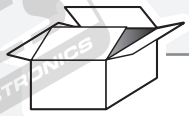
Partnr.: BW-016-B1U



- Fitting instructions electric wiring kit tow bar with 12-N socket up to DIN/ISO Norm 1724.
- We would expressly point out that assembly not carried out properly by a competent installer will result in cancellation of any right to damage compensation, in particular those arising by virtue of the product liability act.
- Contents of these kits and their fitting manuals are subject to alteration without notice, please ensure that these instructions are read and fully understood before commencing installation.
- Do not overload circuits; the maximum loads per connection are detailed in this manual.
- Attention! Before Installation, please read this manual carefully and inform your customer to consult the vehicle owners manual to check for any vehicle modifications required before towing.
- In the event of functional problems, troubleshooting must be limited to about 0.5 hours, contact the technical support:
t.skinner@ecs-electronics.com / 07440 202 052.

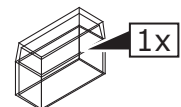
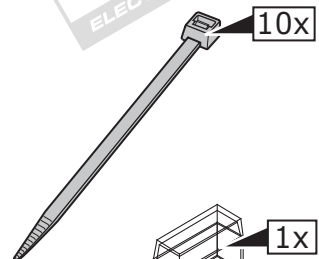
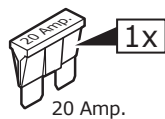
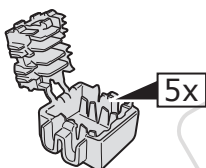
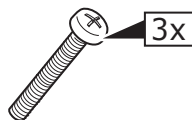


Part list

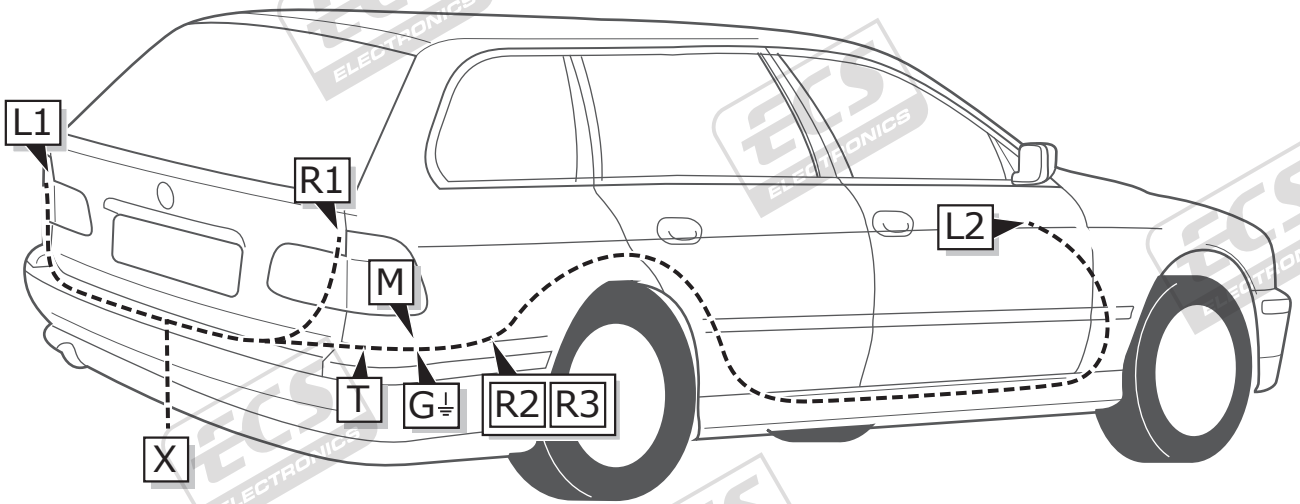


UN-243-YZ
 Optional reverse lamp
 pre-wire extension included

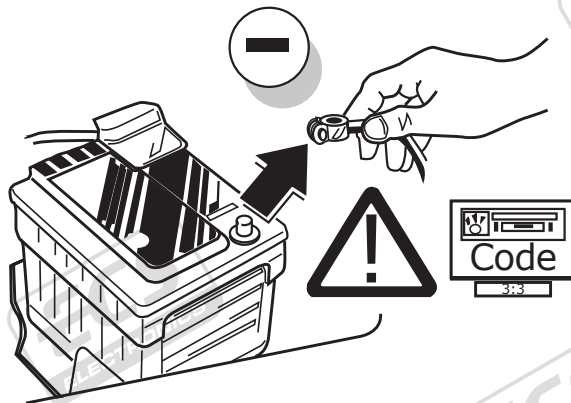
Pag. 12



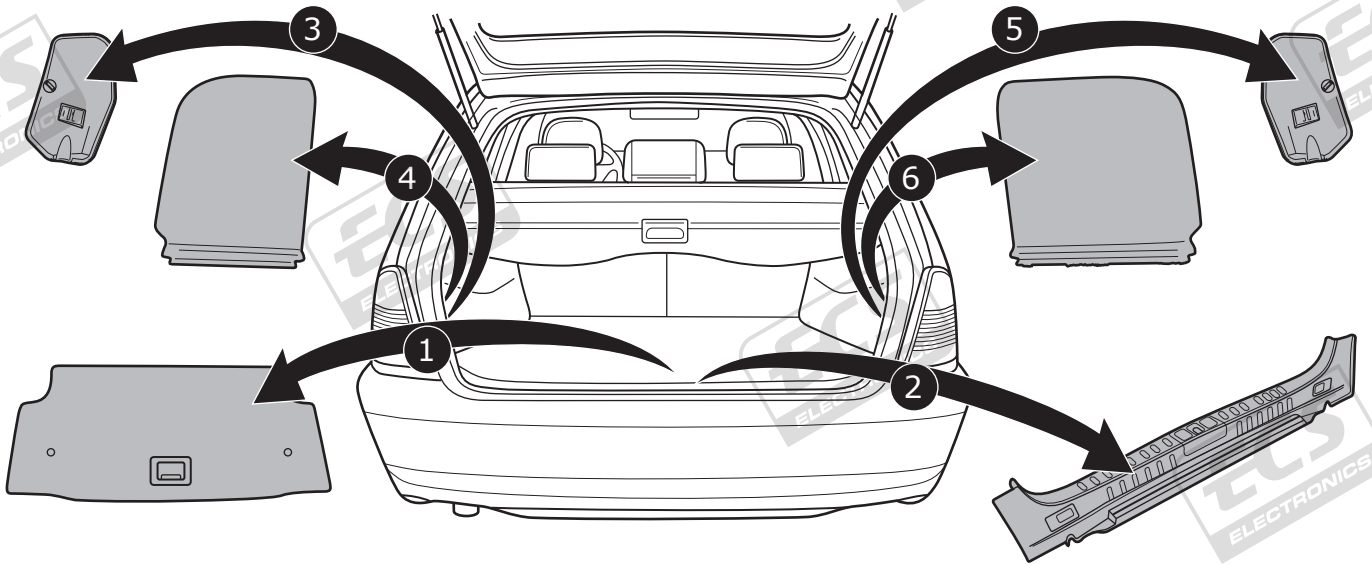
ROUTING



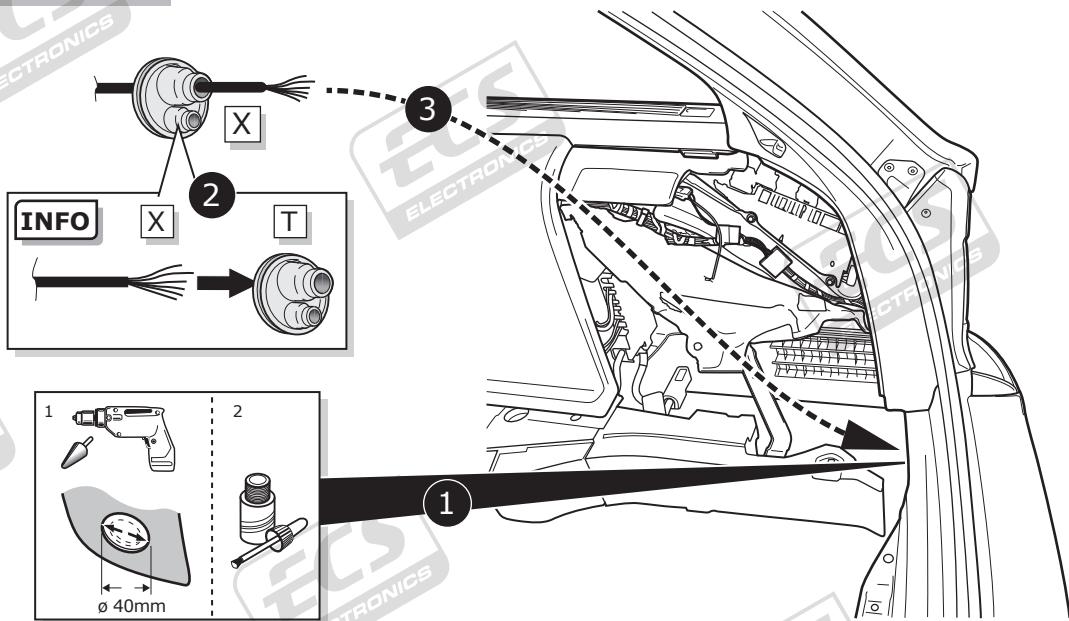
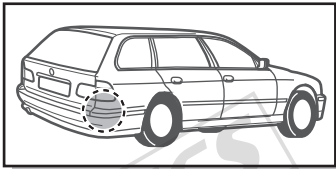
1



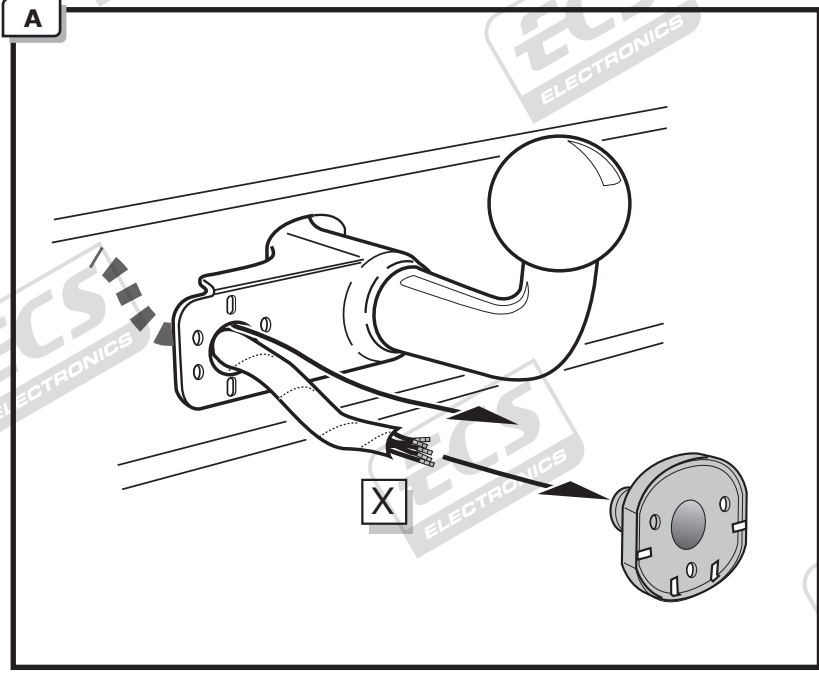
2



3



A



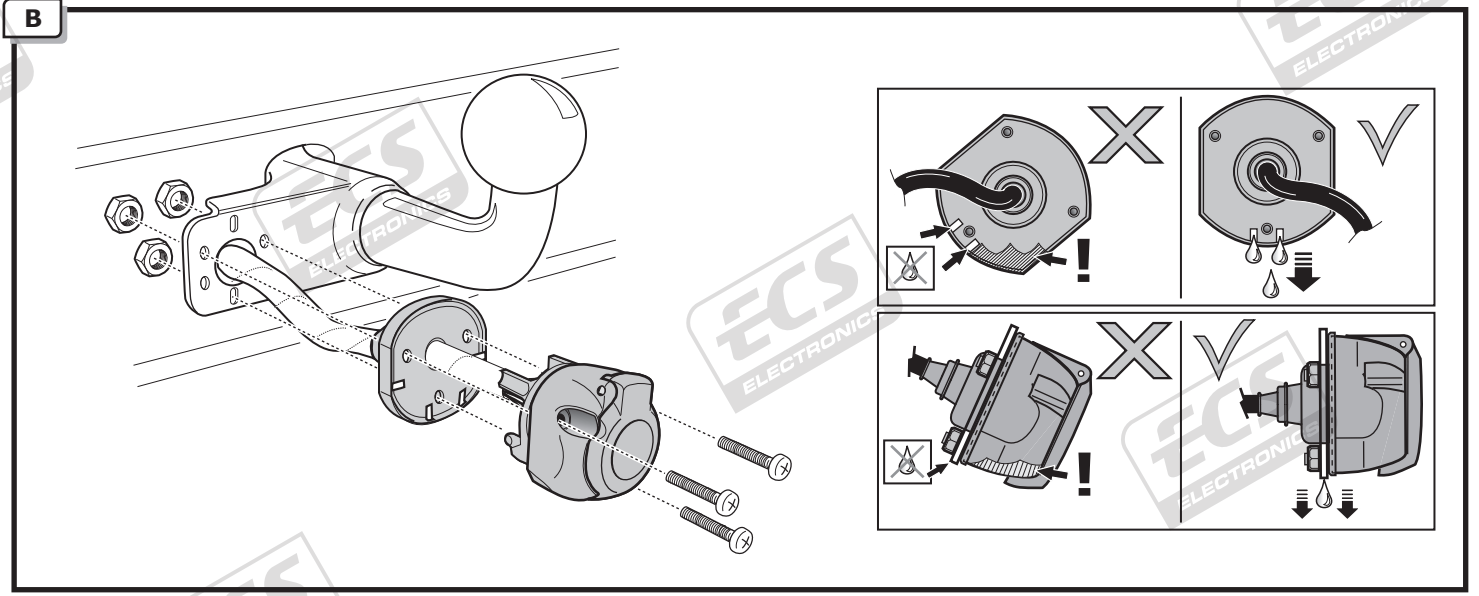
INFO

SOCKET CONNECTION

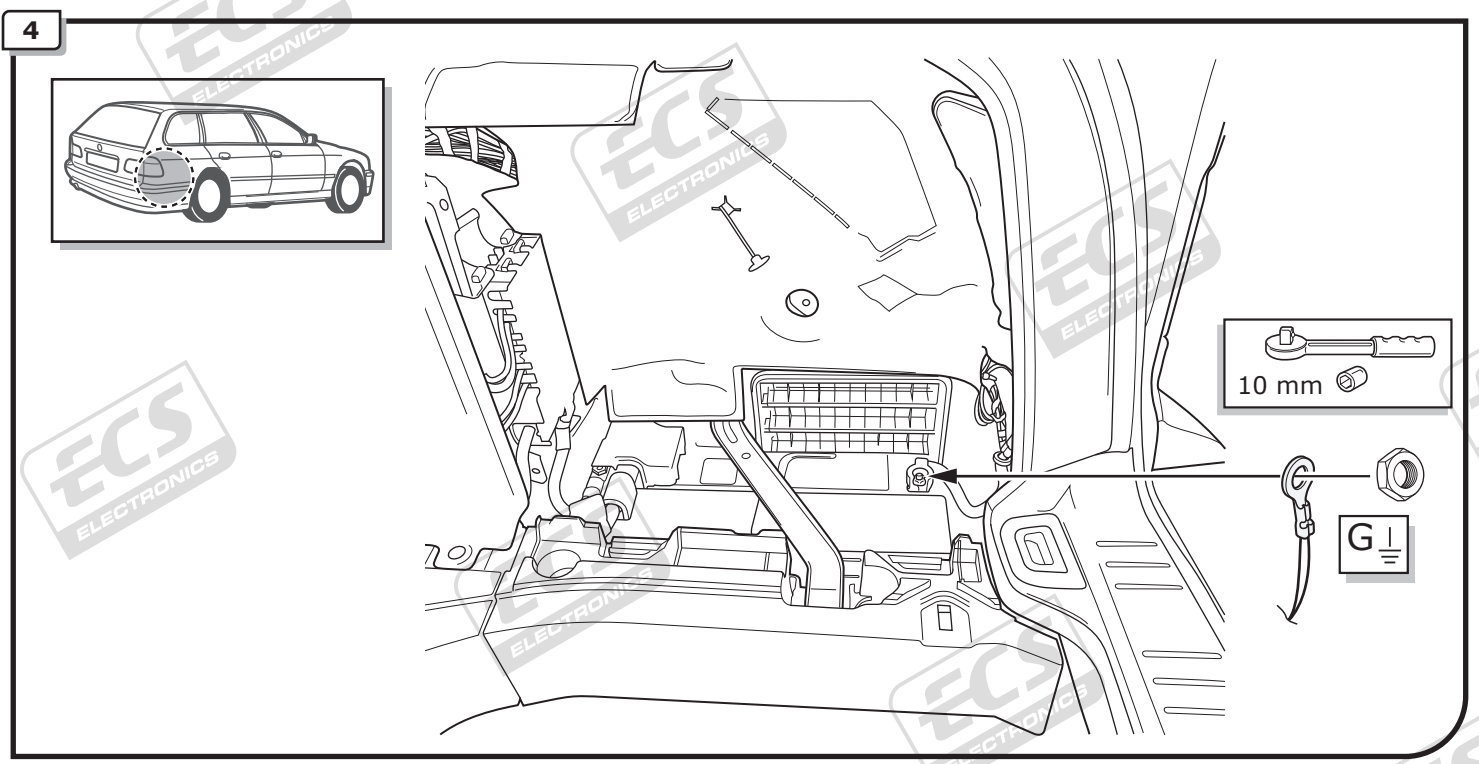


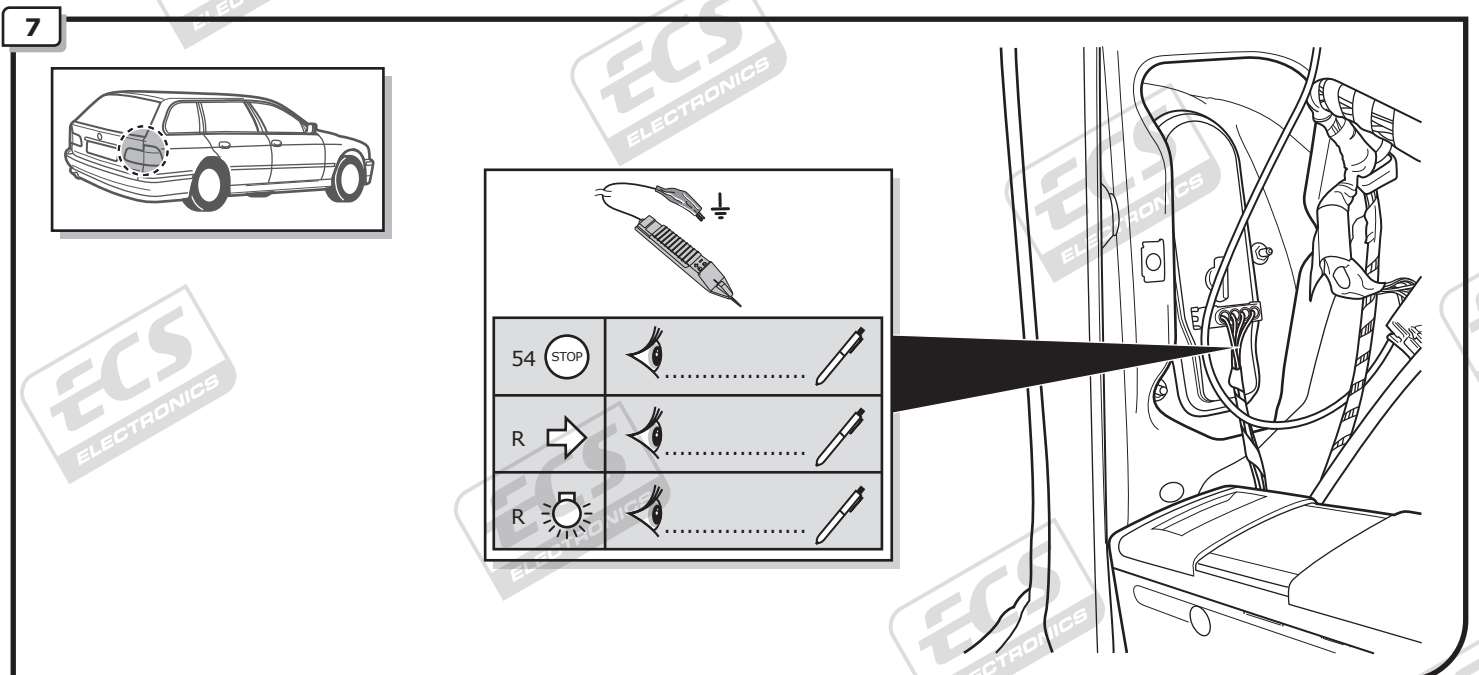
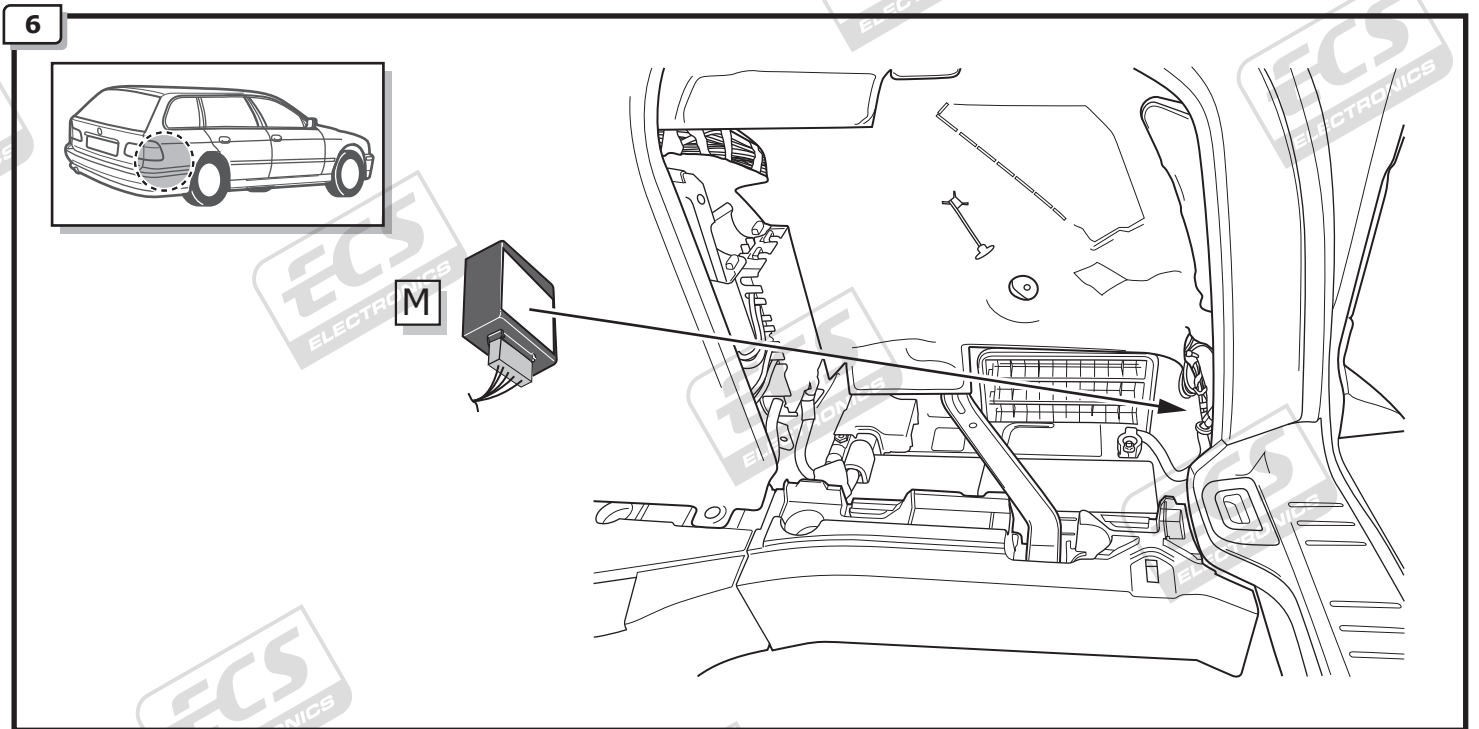
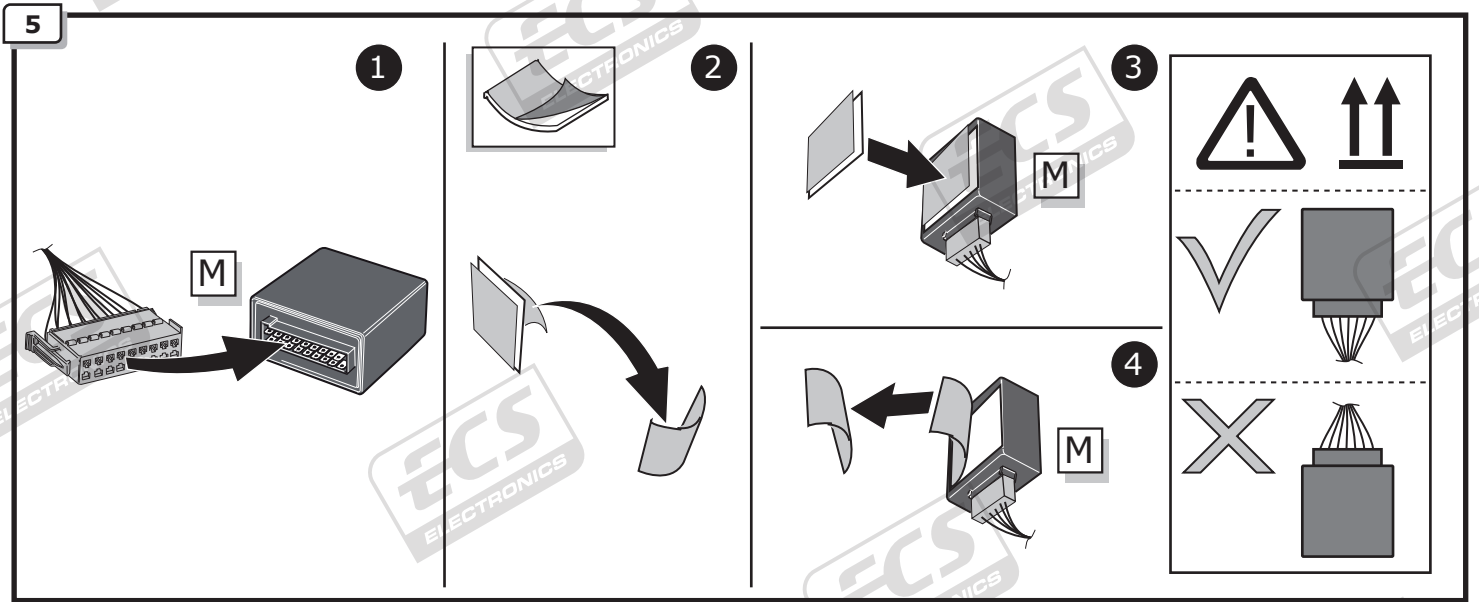
Pag. 11

B

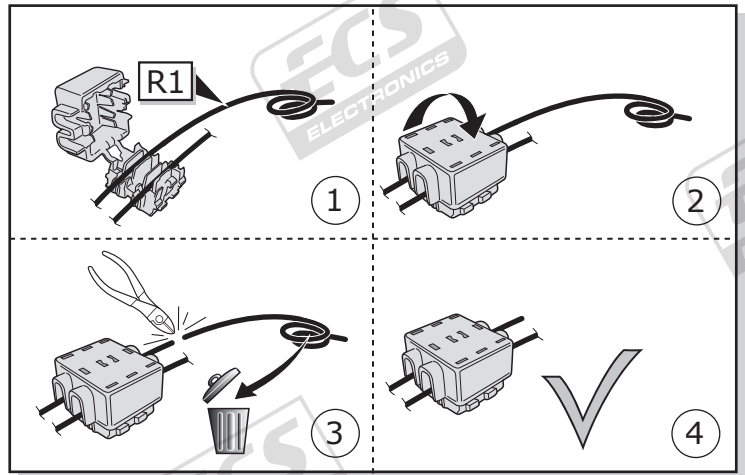
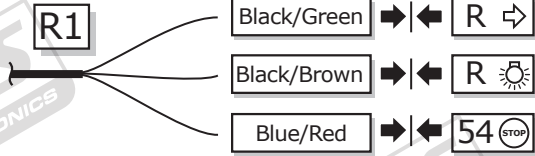


4

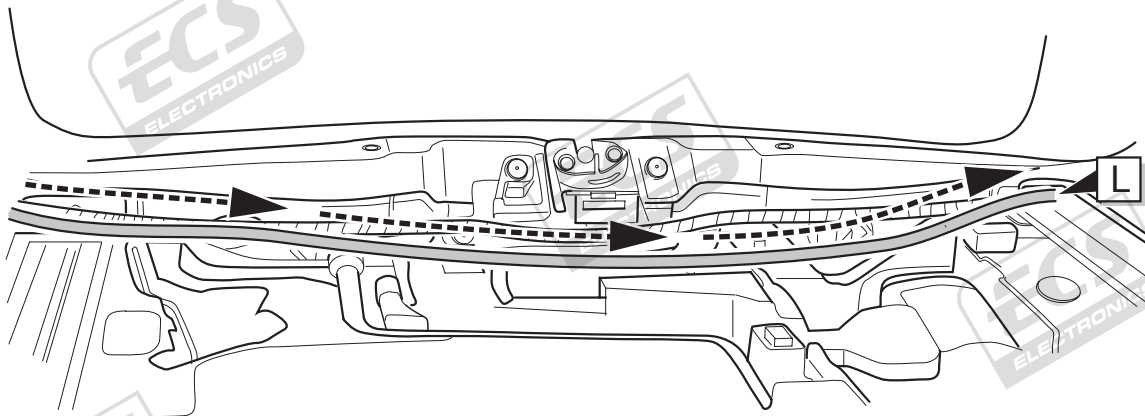




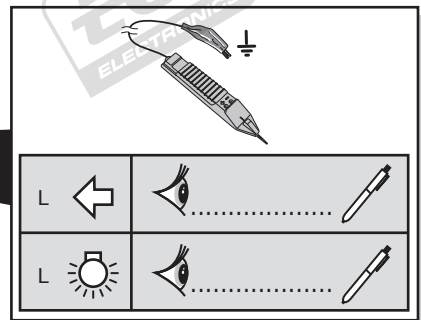
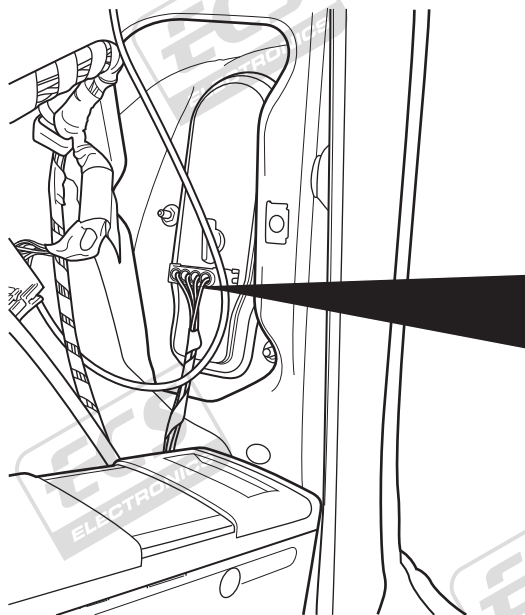
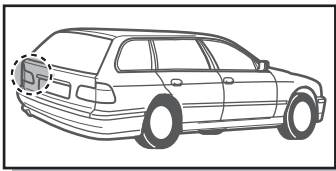
8



9

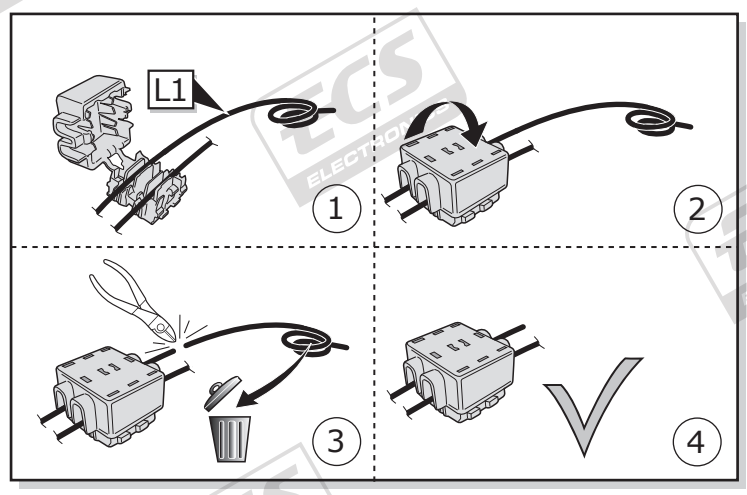
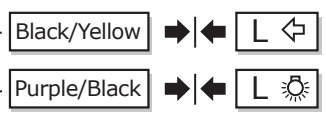


10

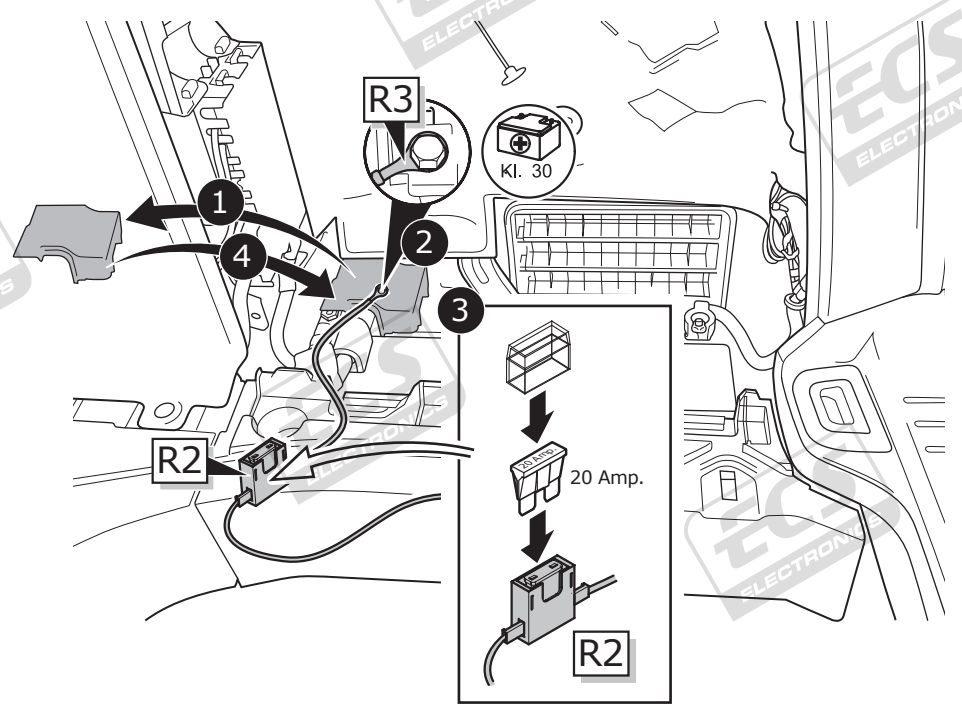
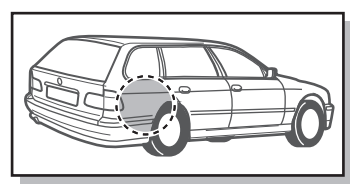


11

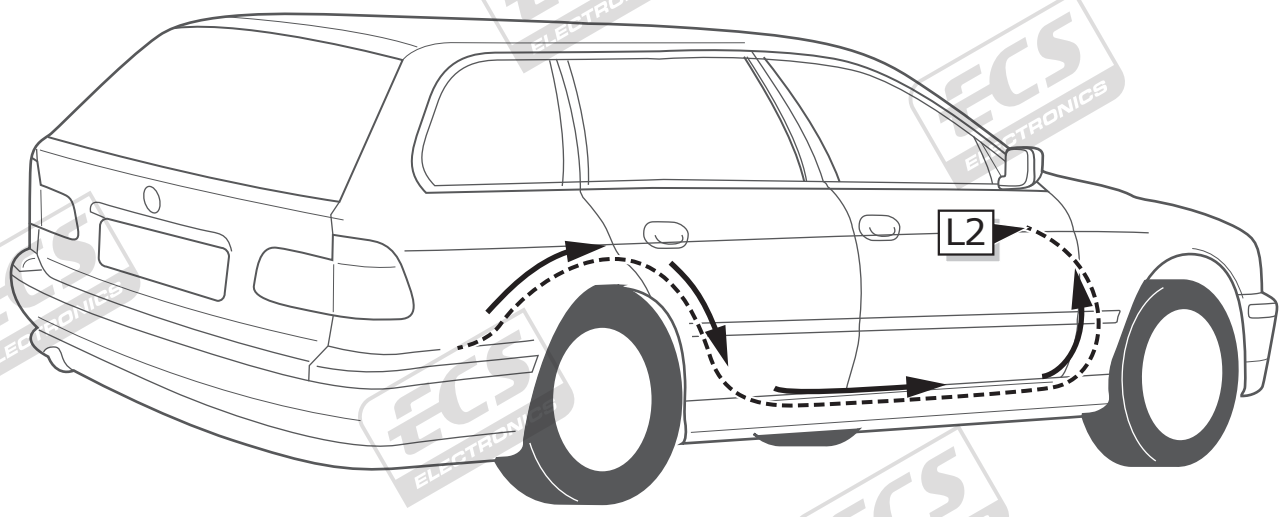
L1



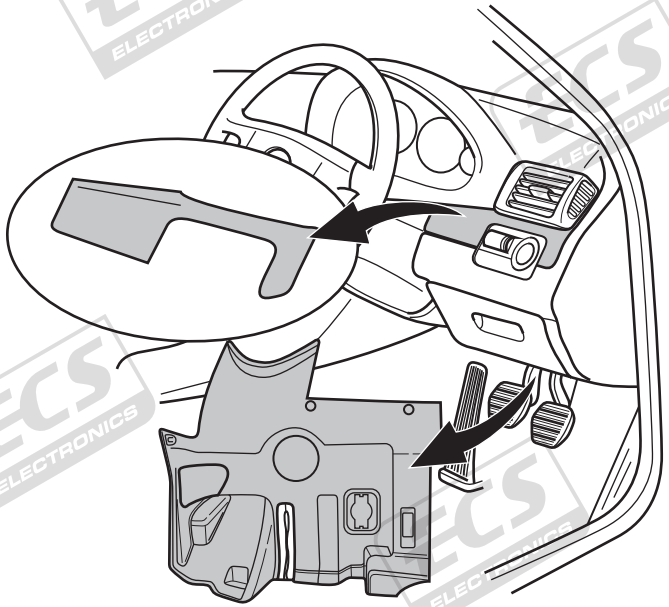
12



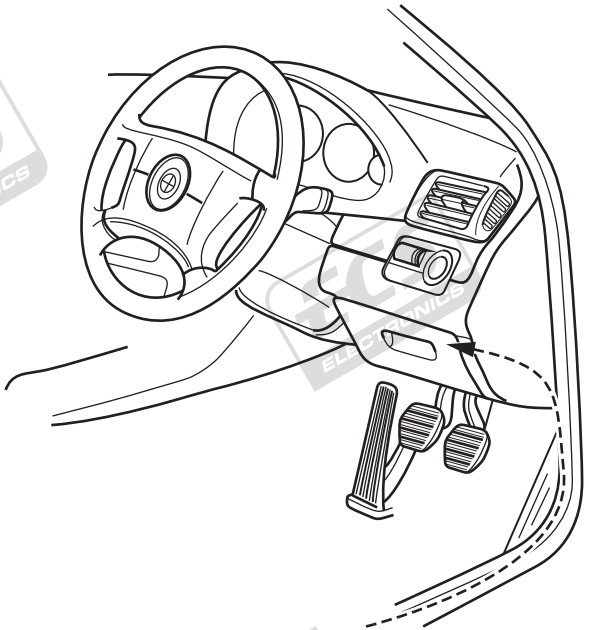
13



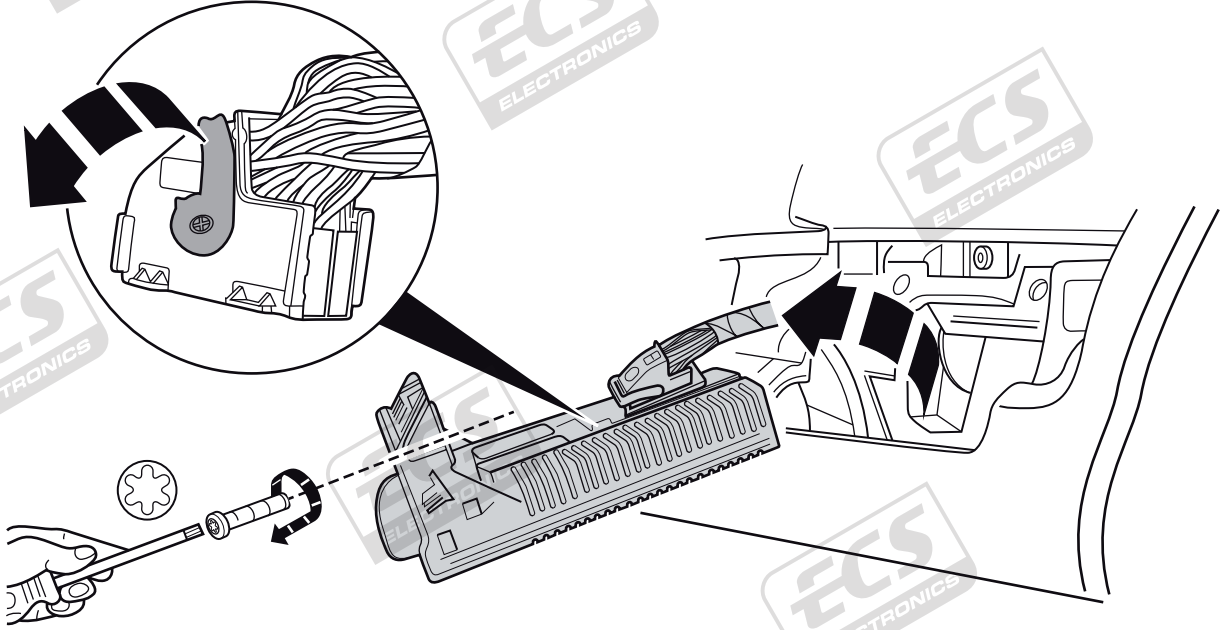
14



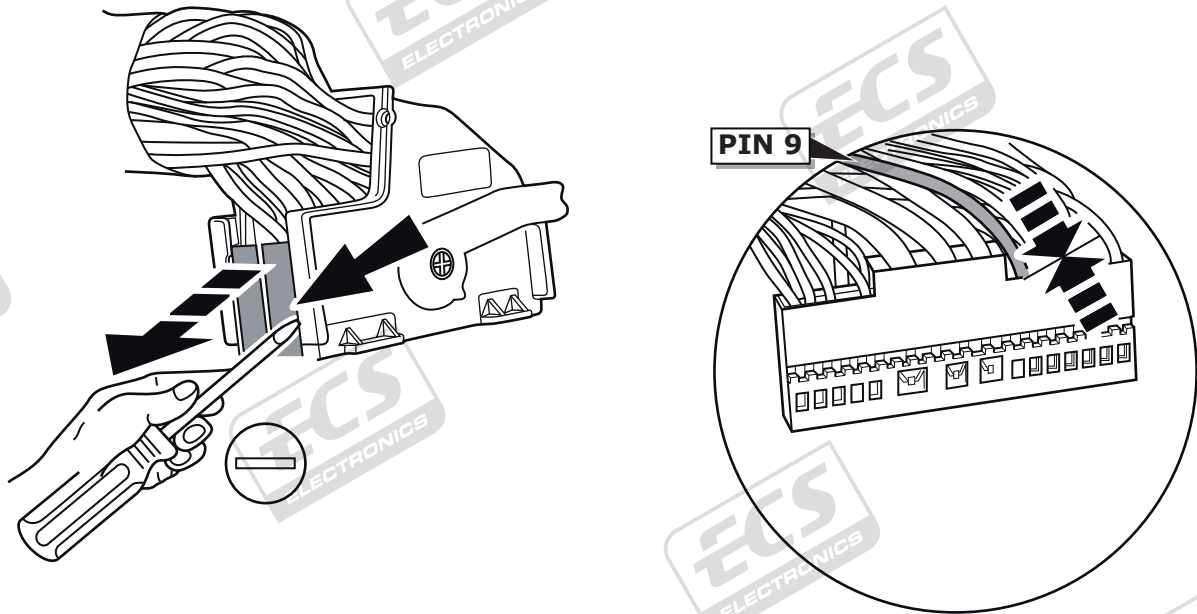
15



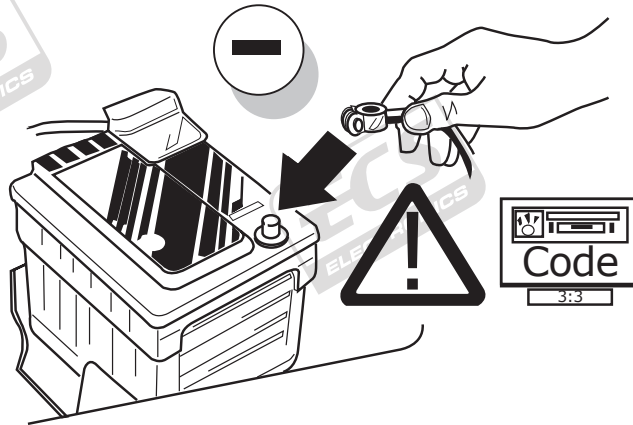
16



17



18



19

! TEST ALL THE CIRCUITS WITH A TEST DEVICE WITH THE CORRECT POWER LOAD FOR EACH FUNCTION. A TEST DEVICE WITH LED'S CANNOT BE USED FOR THIS PURPOSE.

INFO

REINSTALL TRIM.

20



User guide



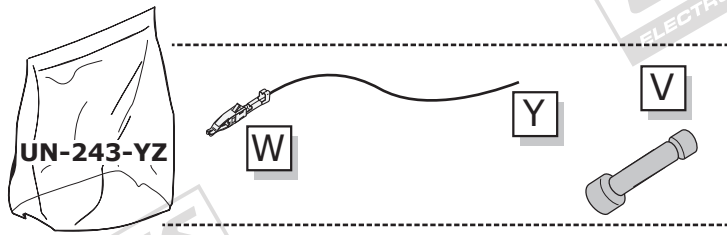
INFO

SOCKET CONNECTION

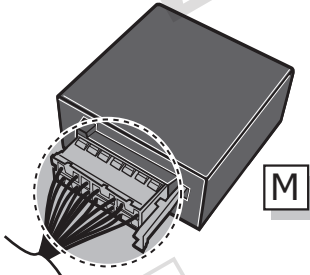
DIN/ISO 1724							
	1/L	2	3/31	4/R	5/58-R	6/54	7/58-L
Pmax	21W	2x21W		21W	52W	3x21W	52W
Colour	Yellow	Blue	White	Green	Brown	Red	Black

UN-243-YZ Reverse lamp pre-wire extension

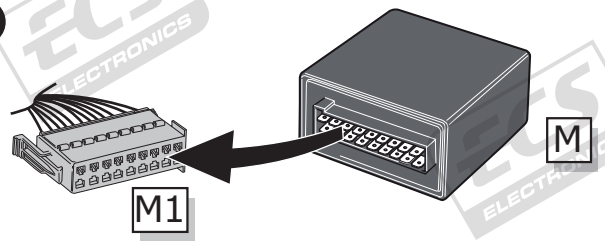
⚠ MAX = 21W



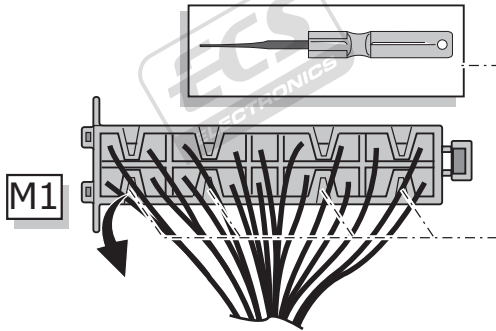
A



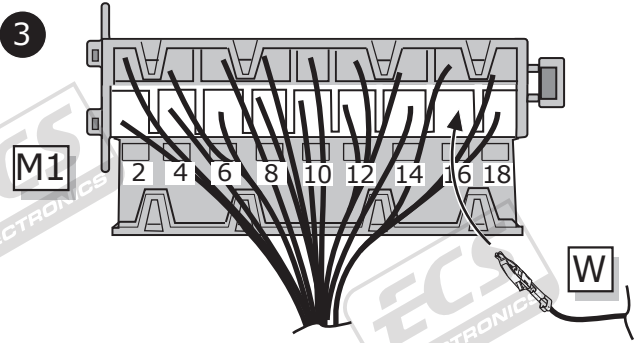
1



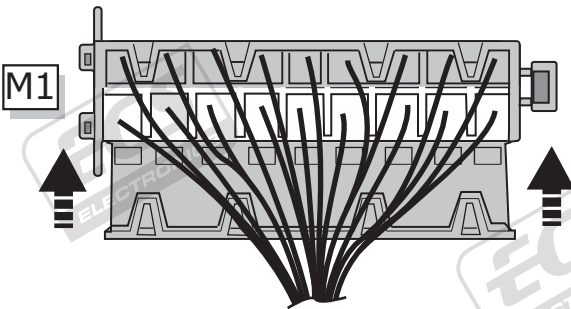
2



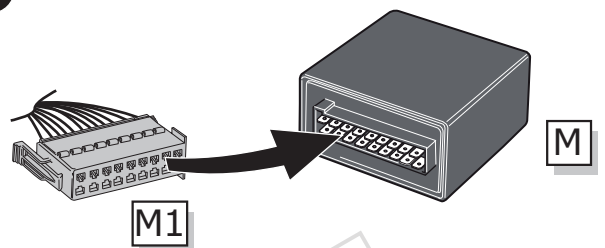
3



4



5



B

⚠ MAX = 21W

