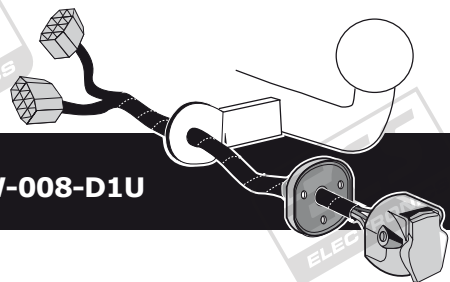




- **BMW 1 Series E81, E82, E87, E88**
- **BMW 1 Series F20, F21 (without PDC cut off function)**
- **BMW 3 Series E90, E91, E92, E93**
- **BMW 3 Series F30, F31, F34 (without PDC cut off function)**
- **BMW 5 Series E60, E61, F07, F10, F11** (for RHD see next page)
- **BMW 7 Series E65, E66, F01, F02**
- **BMW X1 Series E84**
- **BMW X3 Series F25 (without PDC cut off function)**
- **BMW X5 Series E70**
- **BMW X6 Series E71**

This kit doesn't cut off Park Assist , if applicable

Partnr.: BW-008-D1U



- Fitting instructions electric wiring kit tow bar with 13-P socket up to DIN/ISO Norm 11446.
- We would expressly point out that assembly not carried out properly by a competent installer will result in cancellation of any right to damage compensation, in particular those arising by virtue of the product liability act.
- Contents of these kits and their fitting manuals are subject to alteration without notice, please ensure that these instructions are read and fully understood before commencing installation.
- Do not overload circuits; the maximum loads per connection are detailed in this manual.
- Attention! Before Installation, please read this manual carefully and inform your customer to consult the vehicle owners manual to check for any vehicle modifications required before towing.
- In the event of functional problems, troubleshooting must be limited to about 0.5 hours, contact the technical support:  
[t.skinner@ecs-electronics.com](mailto:t.skinner@ecs-electronics.com) / 07440 202 052.



# Right Hand Drive (RHD)

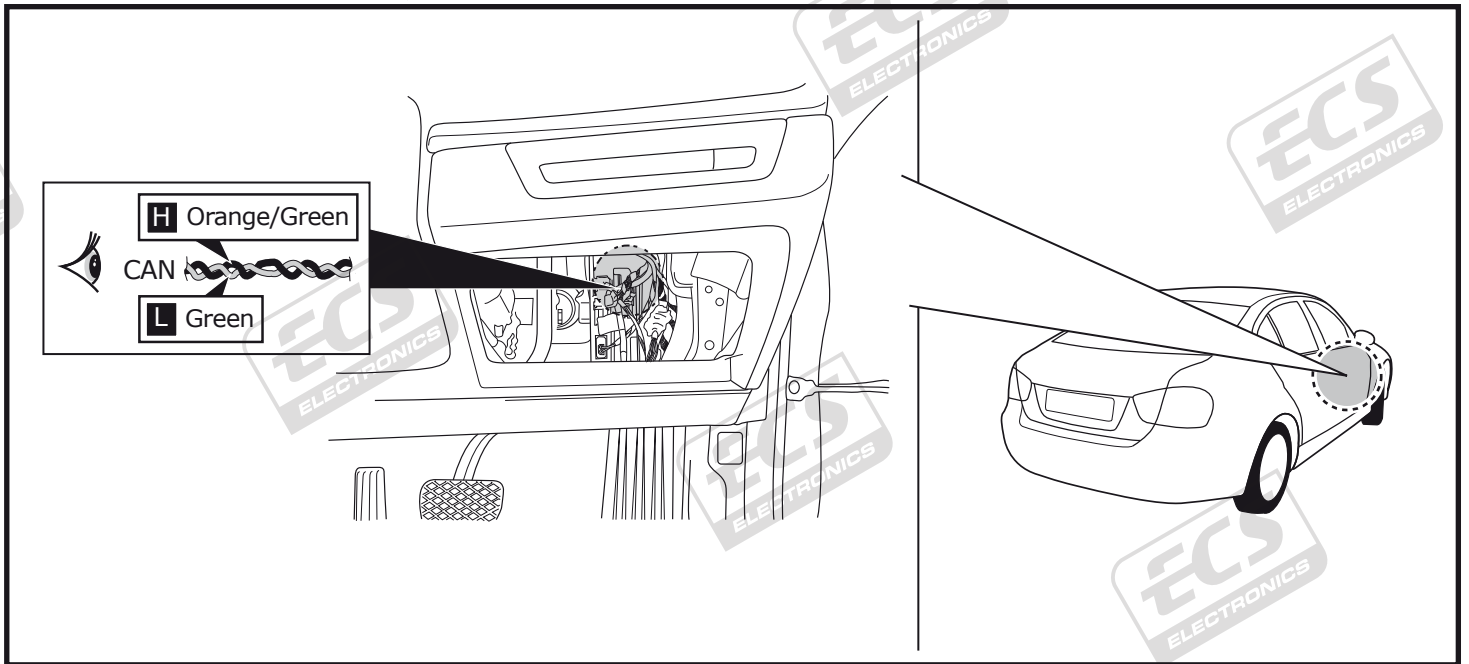
## Installation Supplement Instructions

Updated: 06/06/2013

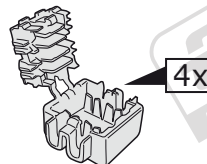
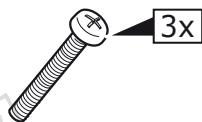
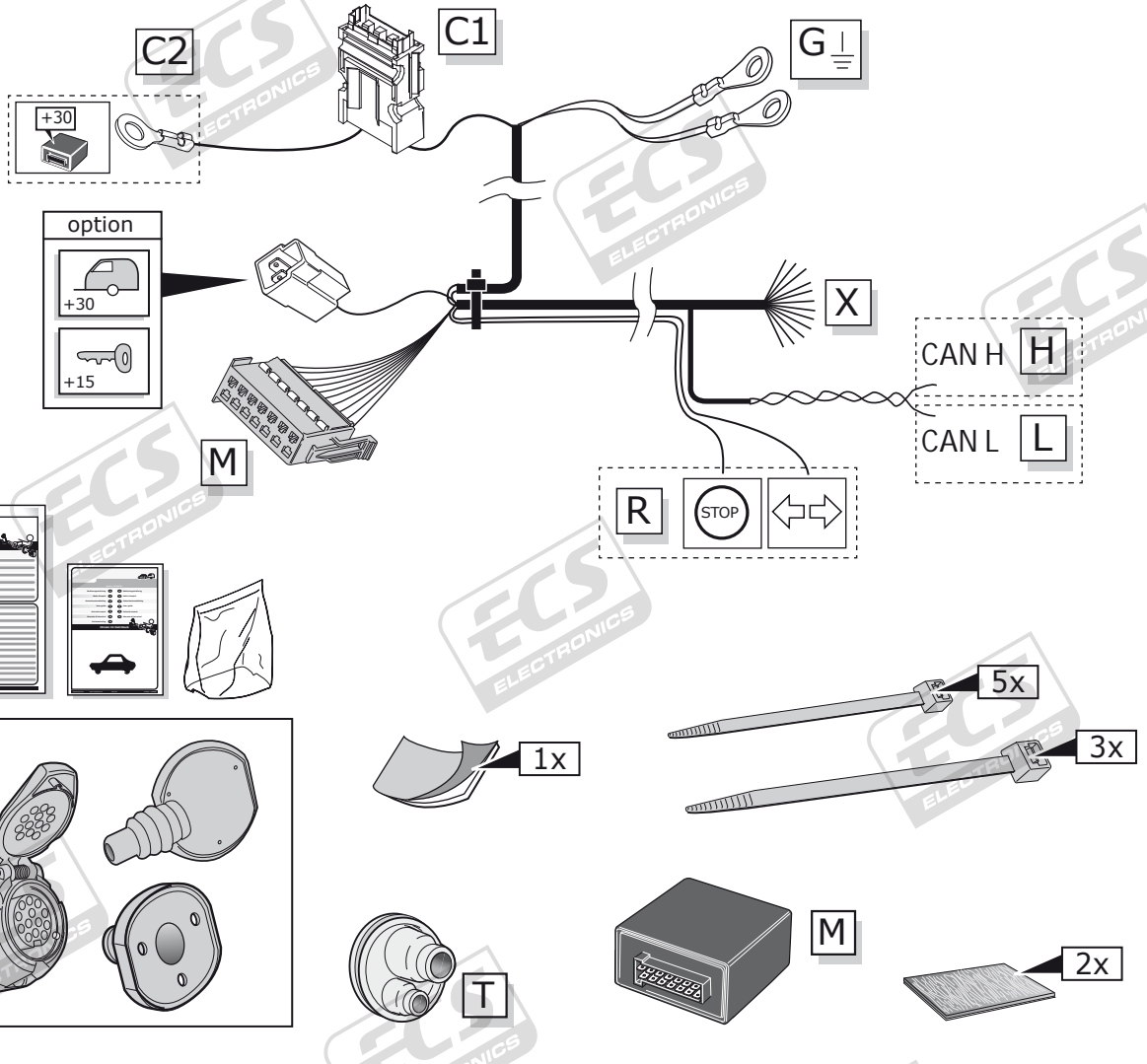
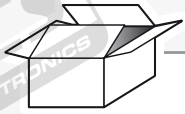
For RHD installation instruction please note the following:

For the BMW 5 (F10 and F11) series connect the CANbus on the off-side (Driver's side) of the dashboard.

Note: There are CAN wires on the passenger side behind the glove box but these do not carry the towbar roadlighting signals.



# Part list



**INFO**

FIRST INQUIRE AT THE DEALER IF AN EXPANSION SET FOR A TOWING HOOK PLUS HEAT INSULATION (IN CONNECTION WITH COOLING) APPLIES TO YOUR VEHICLE.

**INFO**

**BMW 5 Series F10, F11  
BMW 7 Series F01, F02**



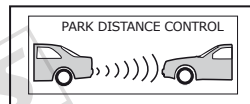
**Pag. 5**

**BMW X3 Series F25**



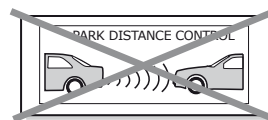
**Pag. 8**

**BMW 1 Series E81, E82, E87, E88  
BMW 3 Series E90, E91, E92, E93  
BMW 5 Series E60, E61, F07  
BMW 7 Series E65, E66  
BMW X1 Series E84  
BMW X5 Series E70  
BMW X6 Series E71**



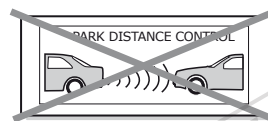
**Pag. 11**

**BMW 5 Series E60, E61, F07  
BMW 7 Series E65, E66  
BMW X1 Series E84  
BMW X5 Series E70  
BMW X6 Series E71**



**Pag. 14**

**BMW 1 Series E81, E82, E87, E88  
BMW 3 Series E90, E91, E92, E93**



**Pag. 17**

**BMW 1 Series F20, F21**



**Pag. 20**

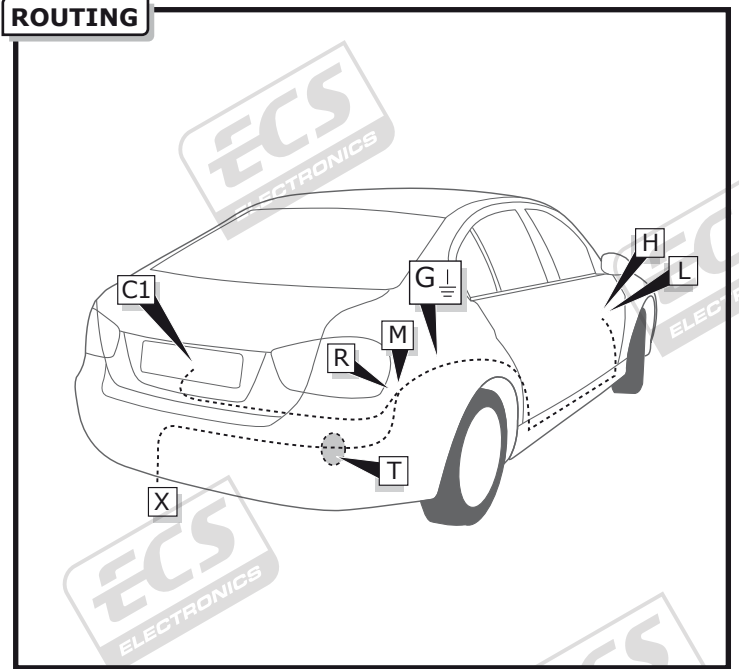
**BMW 3 Series F30, F31, F34**



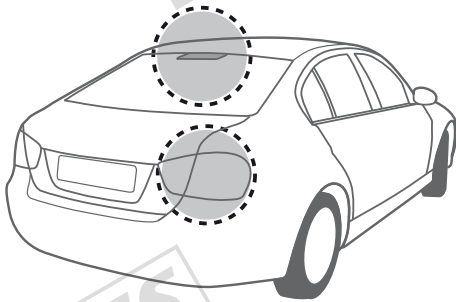
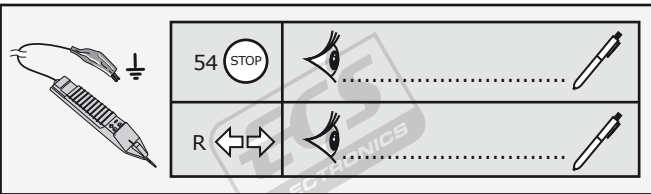
**Pag. 23**

# ROUTING

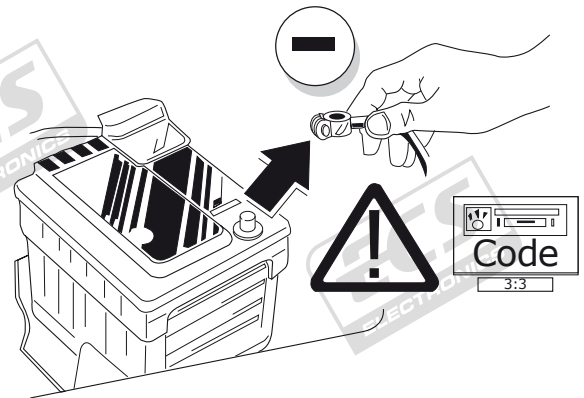
**BMW 5 Series F10, F11**  
**BMW 7 Series F01, F02**



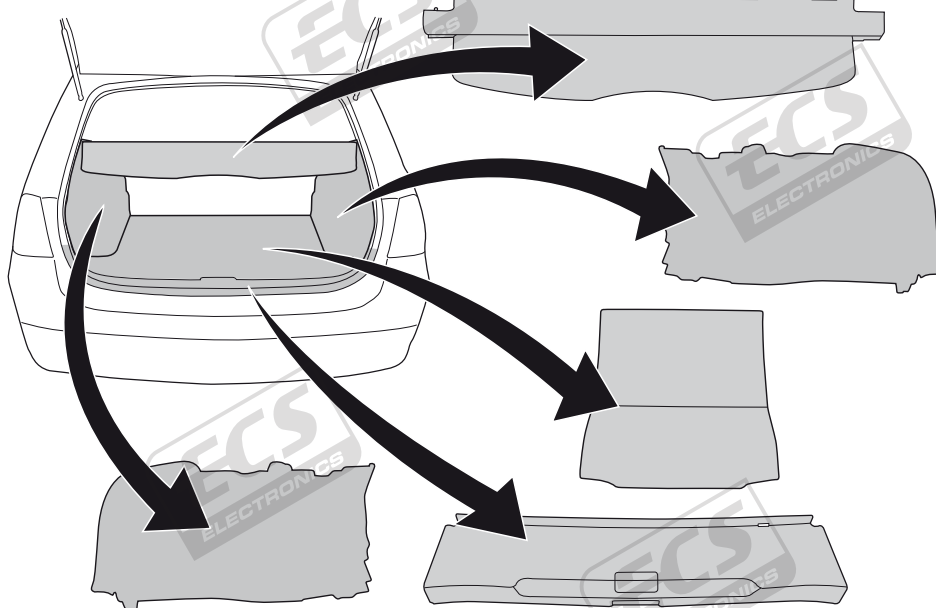
1

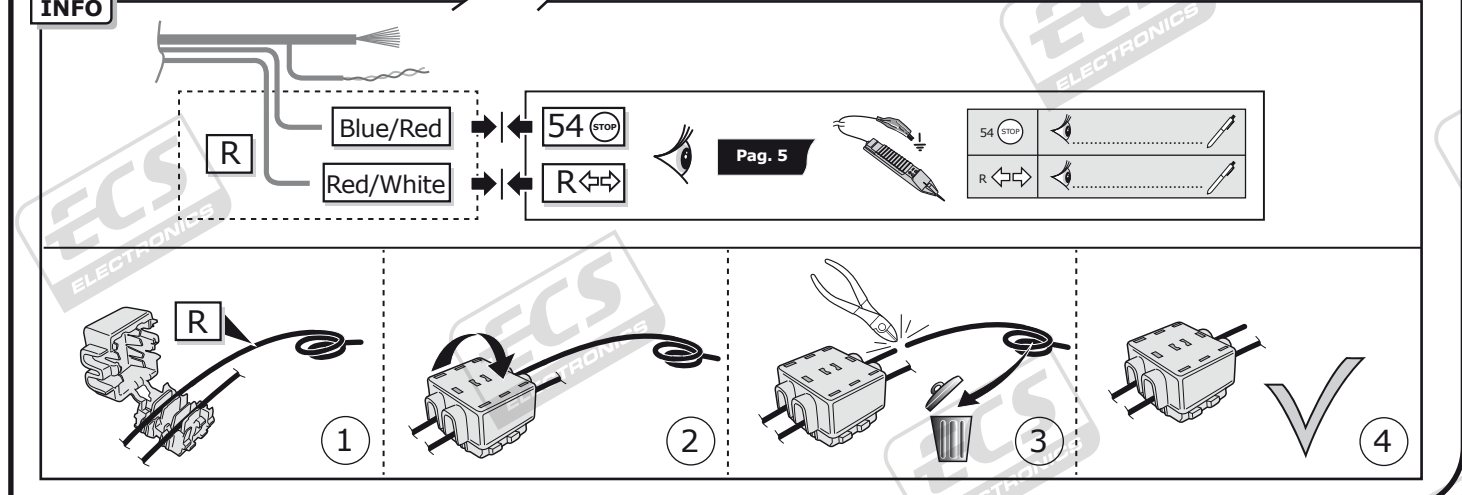
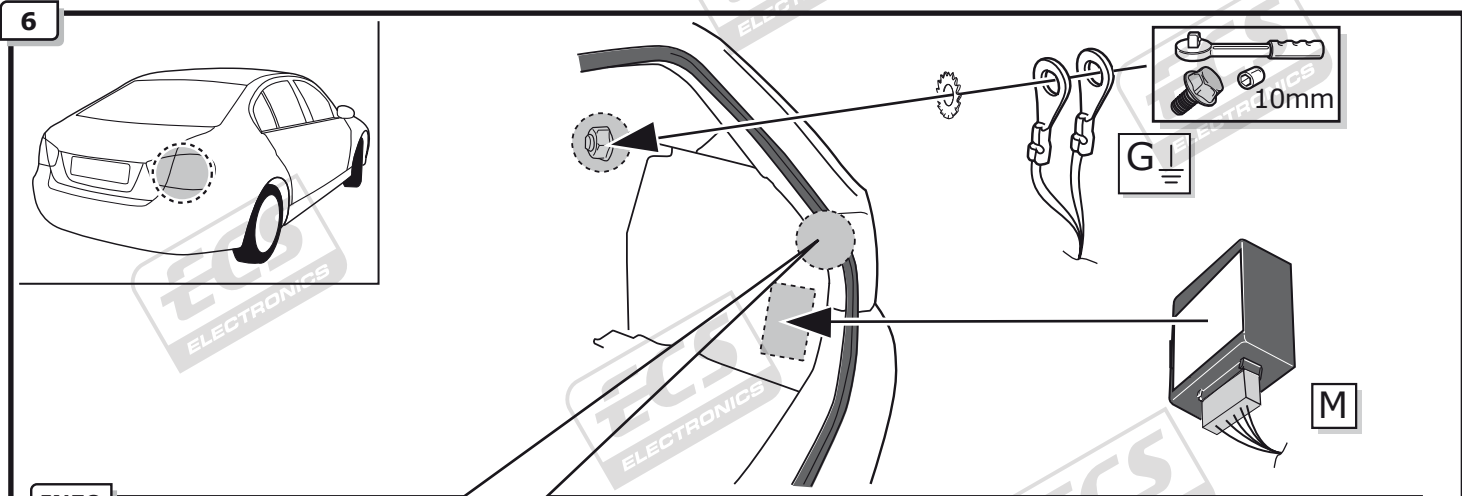
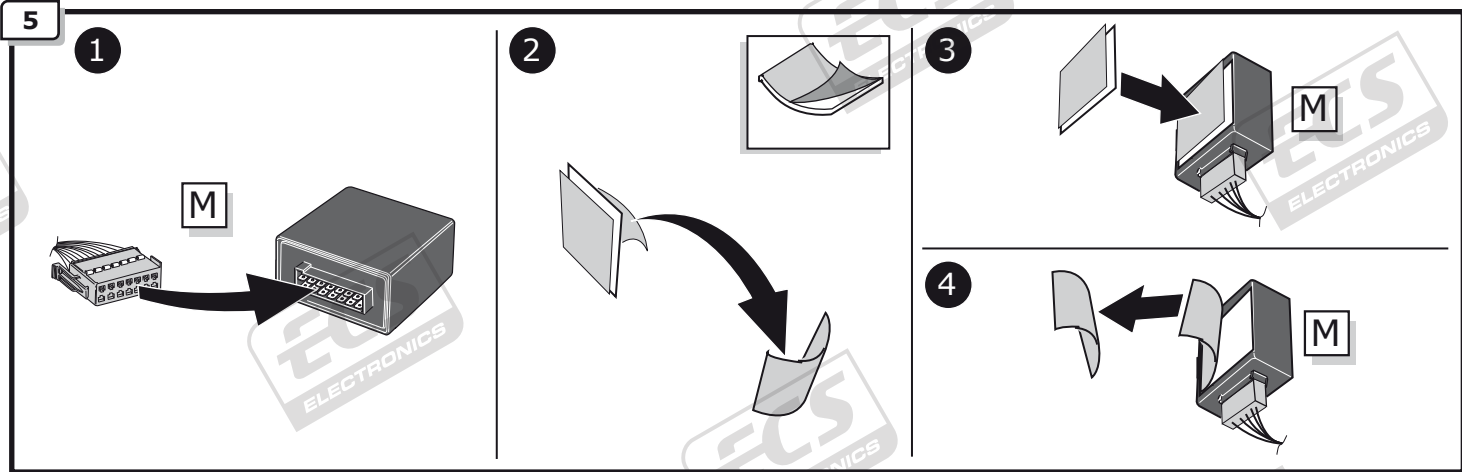
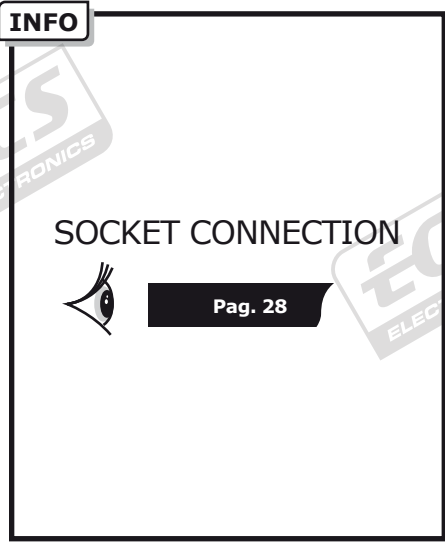
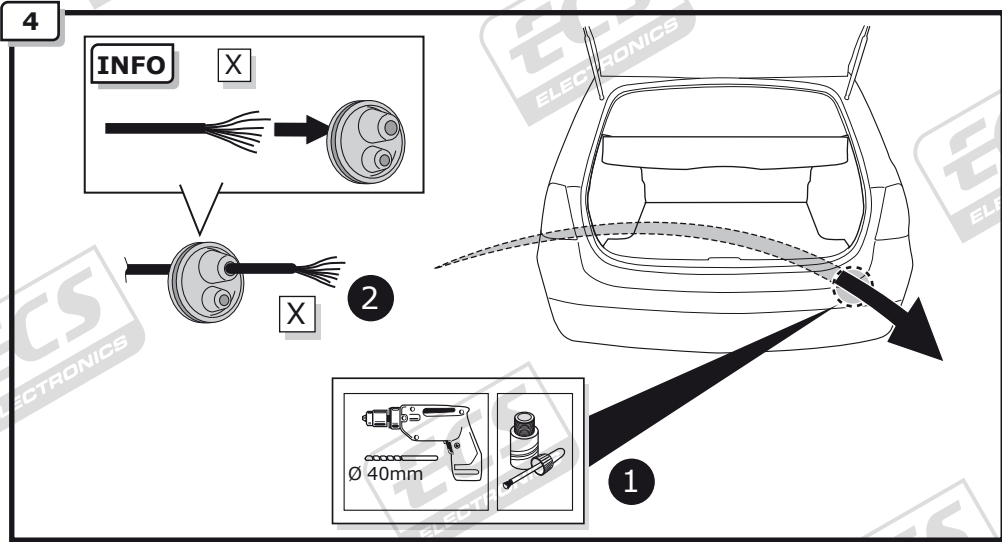


2

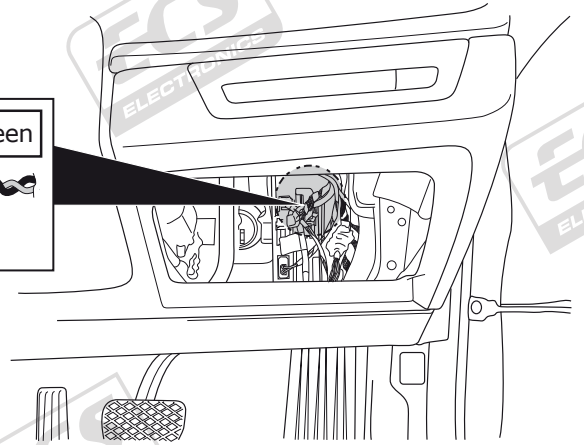
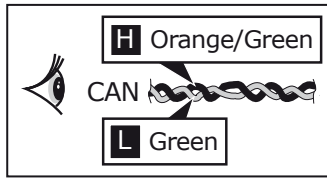
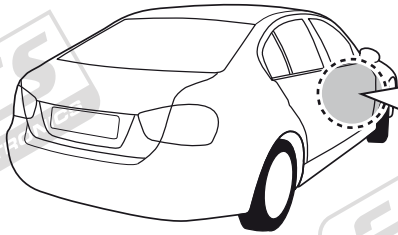


3

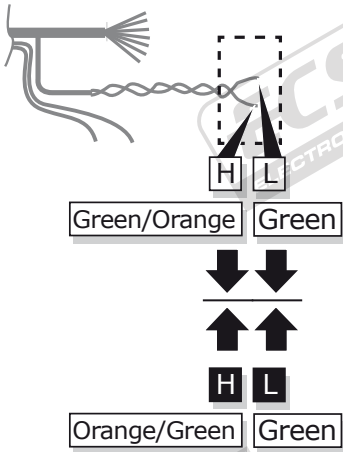




7



8



<p><b>INFO</b></p>		

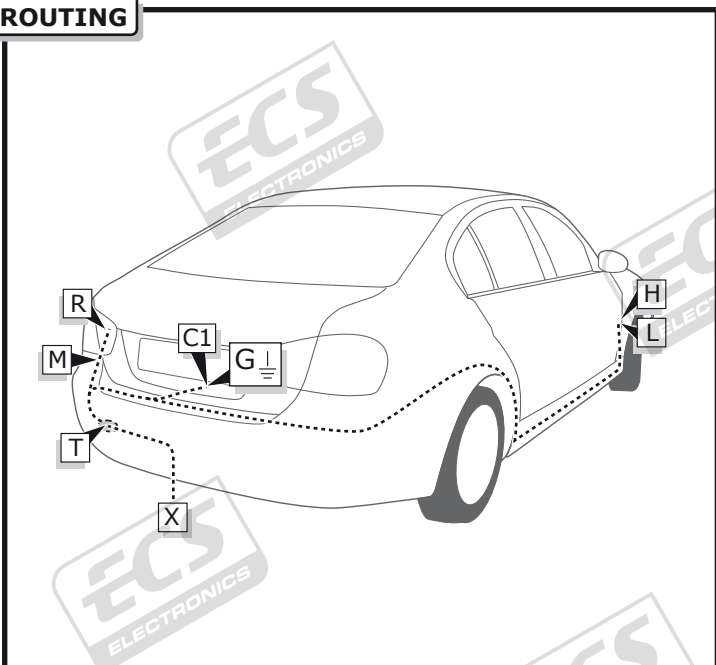
9



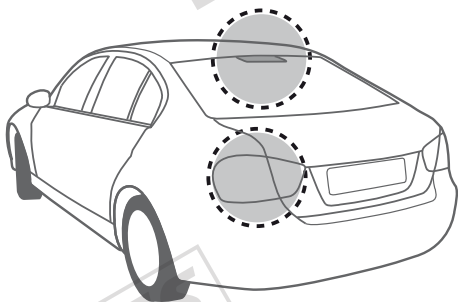
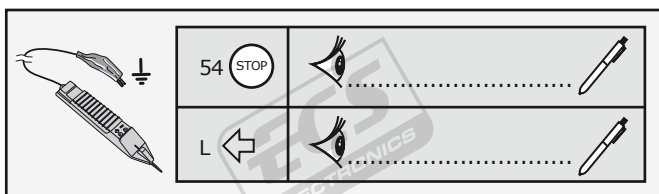
Pag. 26

# BMW X3 Series F25

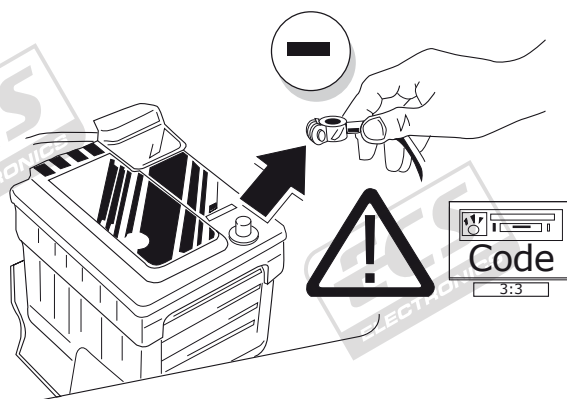
## ROUTING



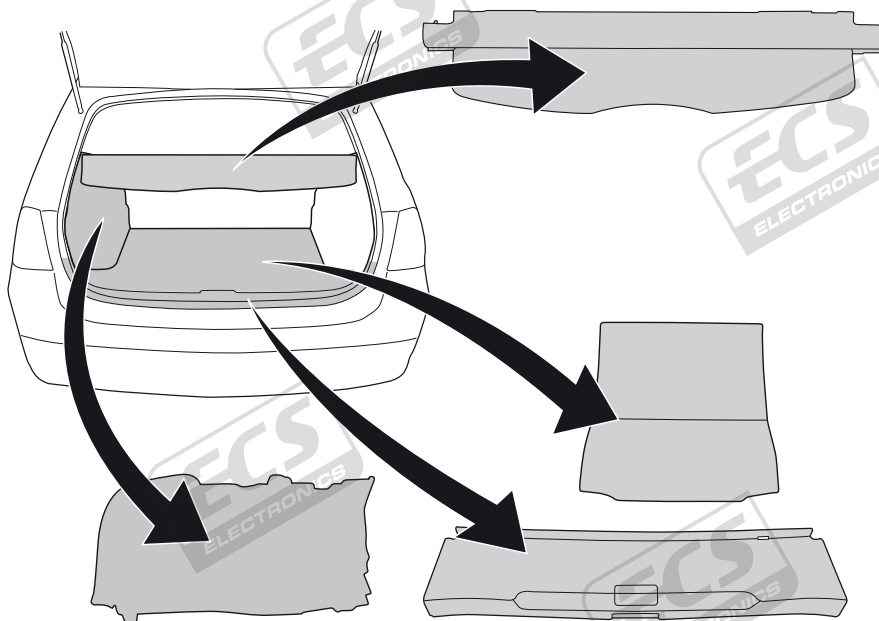
10



11

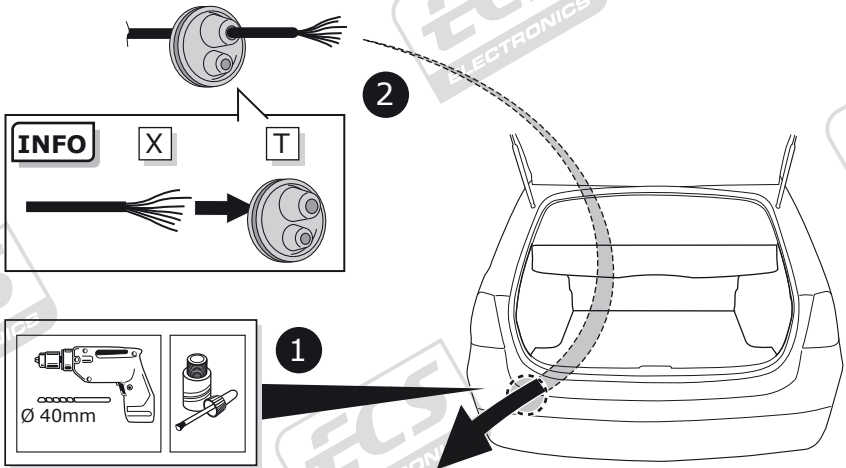


12





13



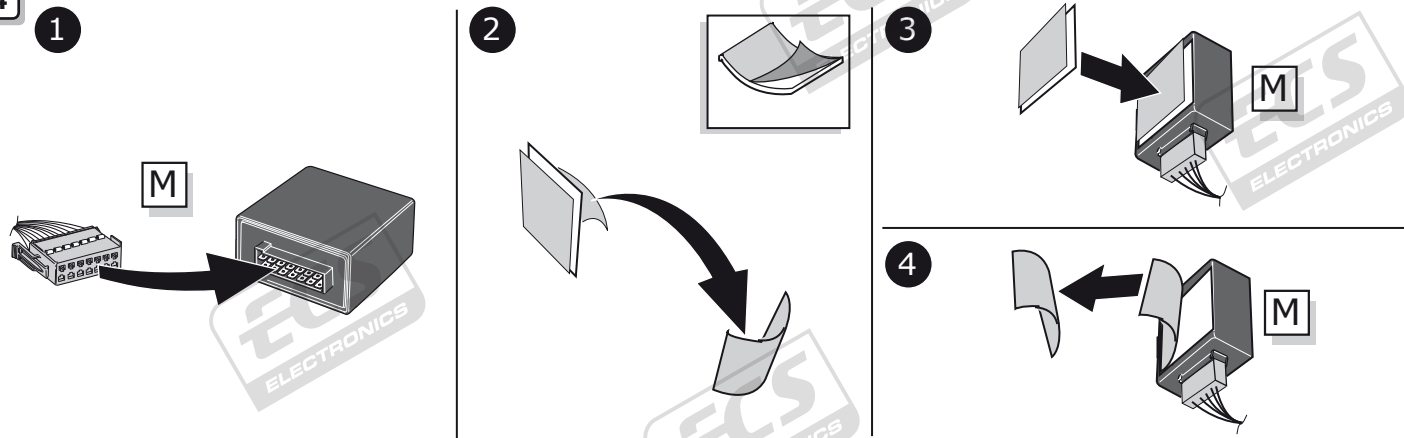
INFO

SOCKET CONNECTION

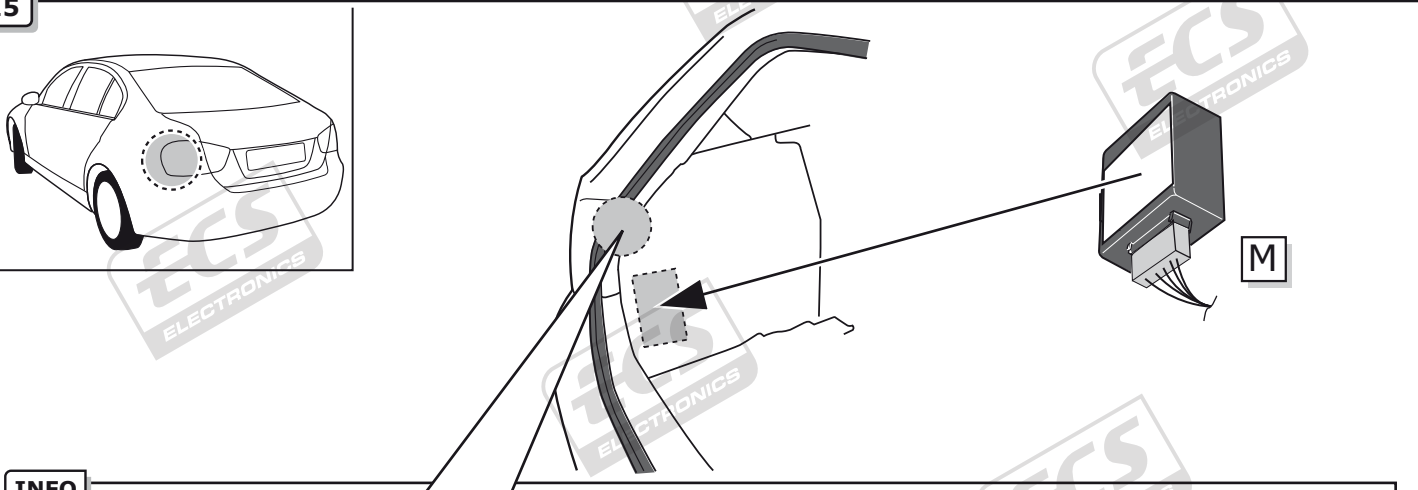


Pag. 28

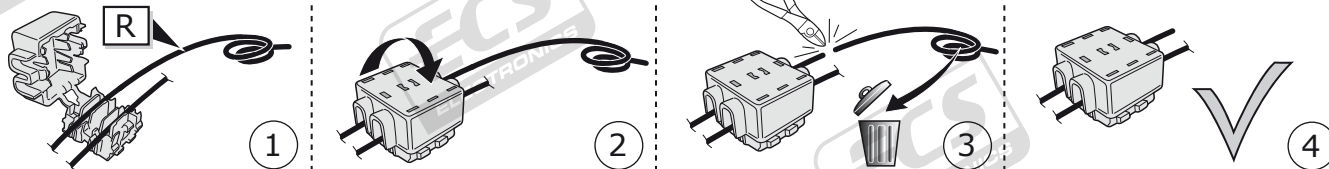
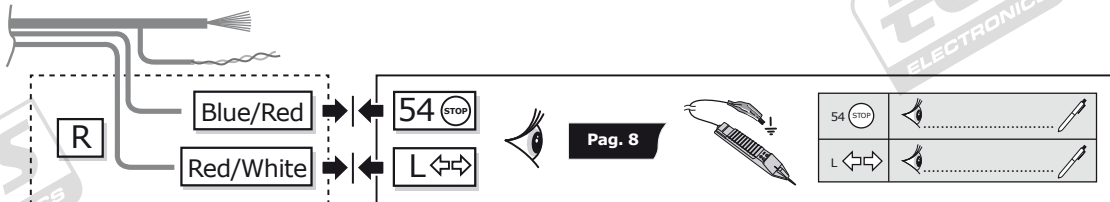
14



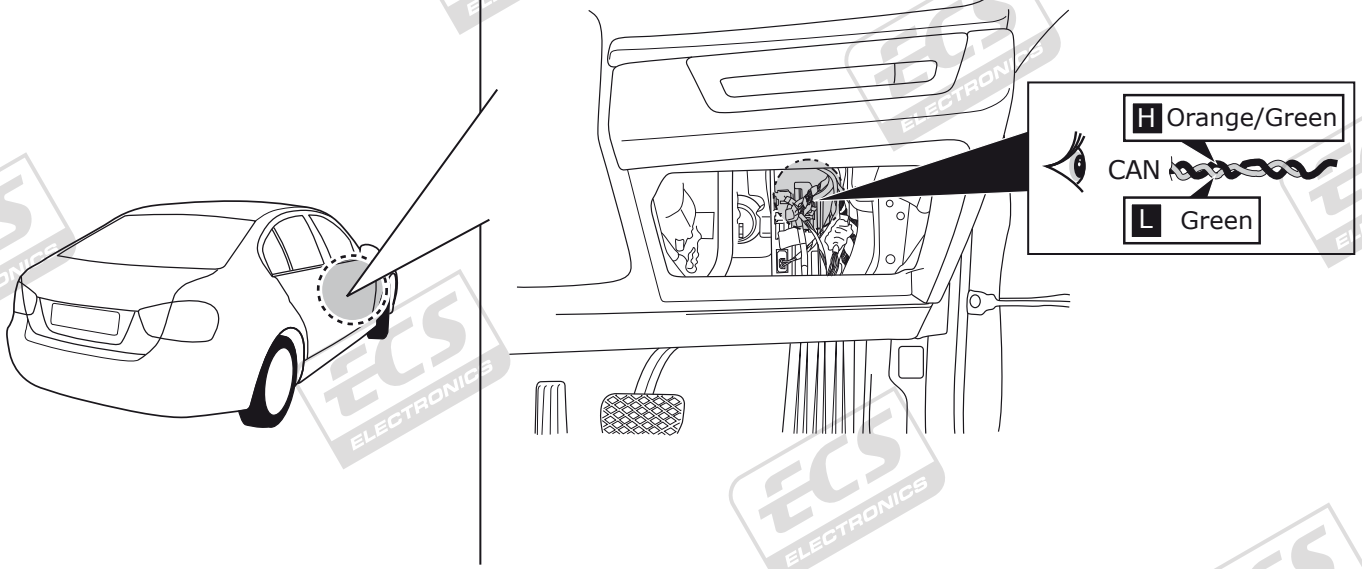
15



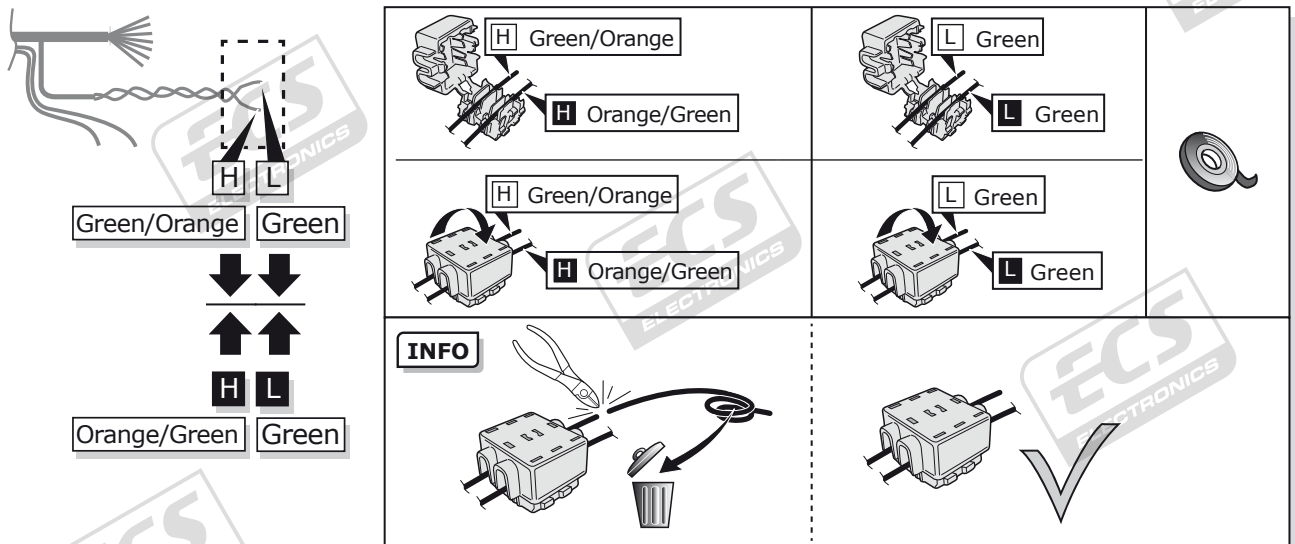
INFO



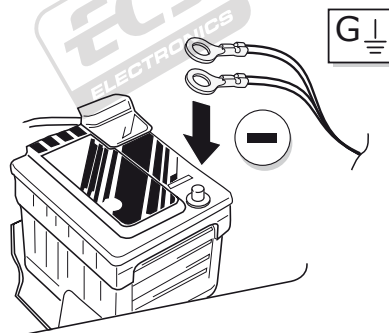
16



17



18

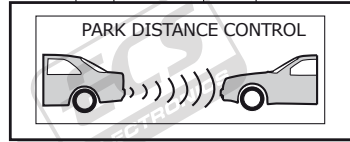
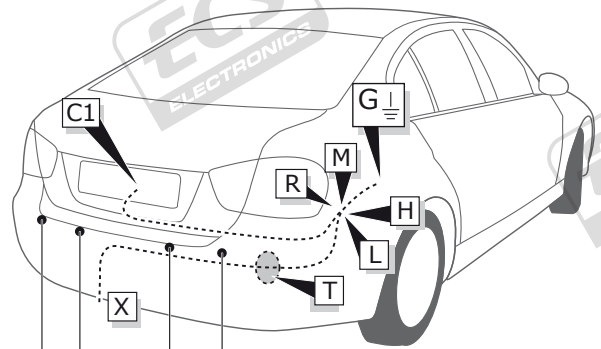


19

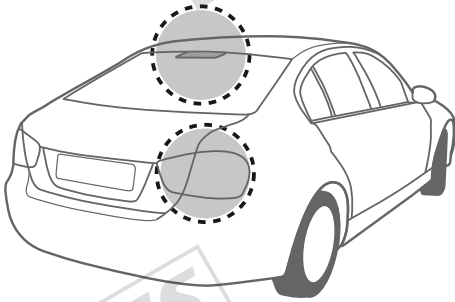
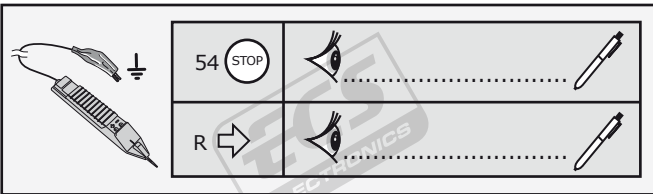


**BMW 1 Series E81, E82, E87, E88**  
**BMW 3 Series E90, E91, E92, E93**  
**BMW 5 Series E60, E61, F07**  
**BMW 7 Series E65, E66**  
**BMW X1 Series E84**  
**BMW X5 Series E70**  
**BMW X6 Series E71**

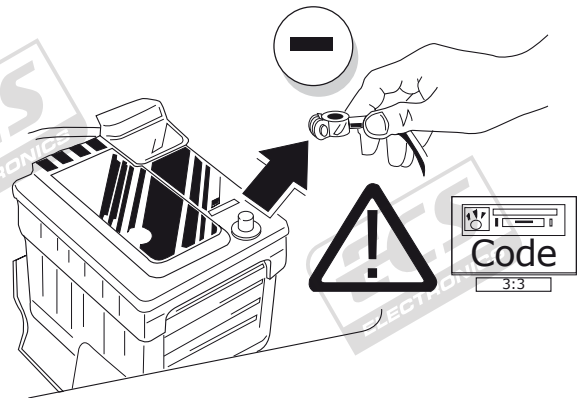
**ROUTING**



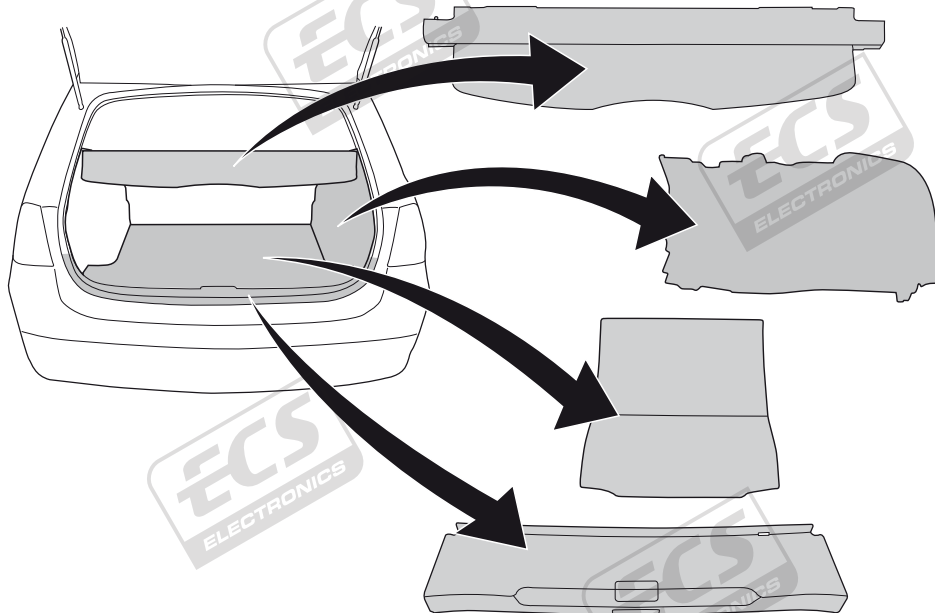
**20**



**21**



**22**



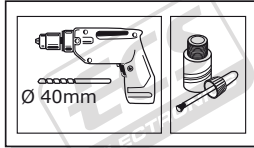
23

INFO

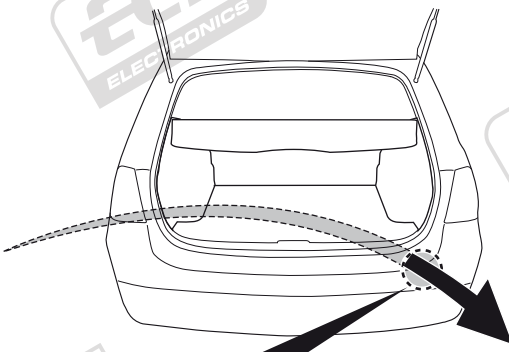
X



2



1



INFO

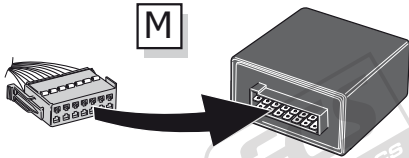
SOCKET CONNECTION



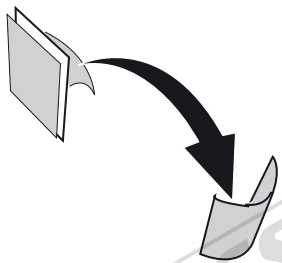
Pag. 28

24

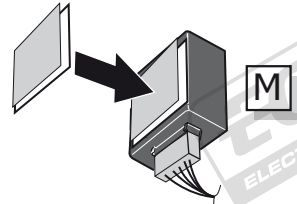
1



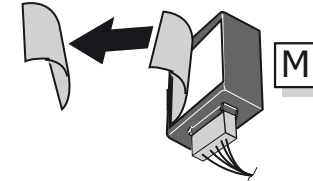
2



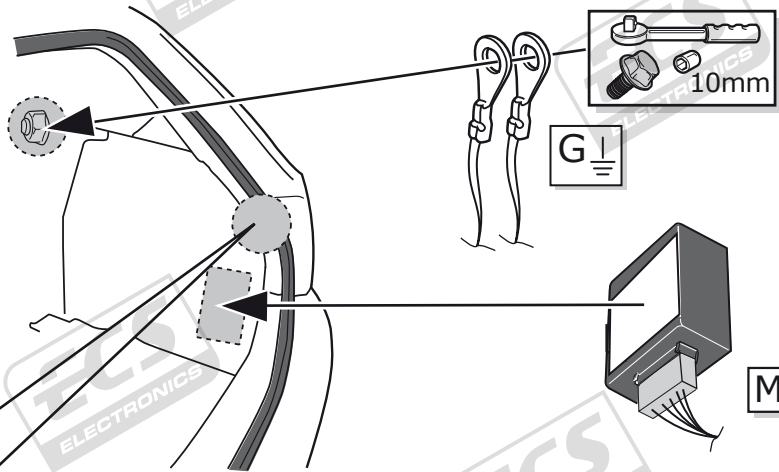
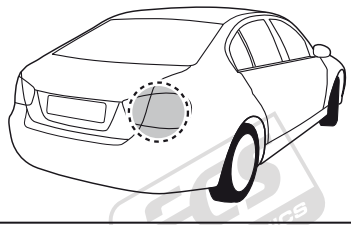
3



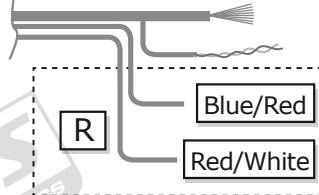
4



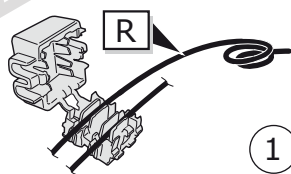
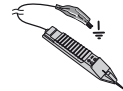
25



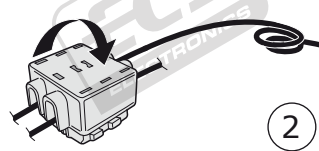
INFO



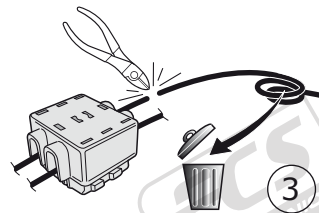
Pag. 11



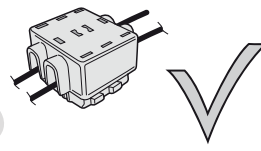
1



2



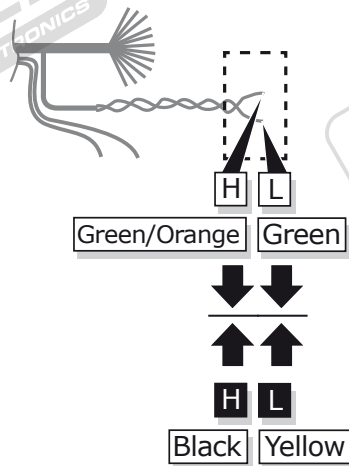
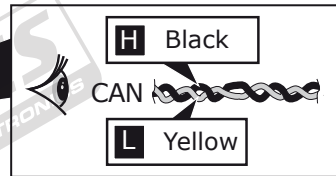
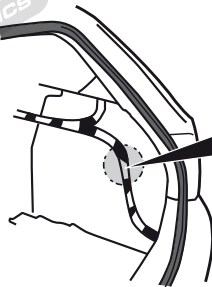
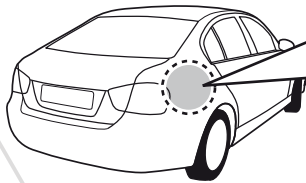
3



4

26

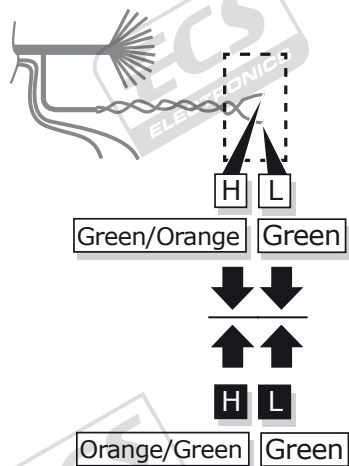
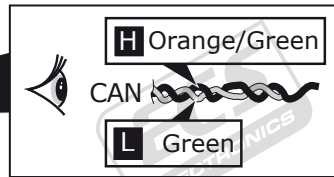
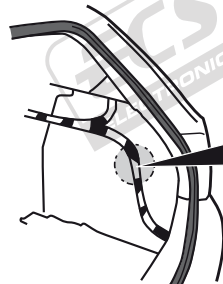
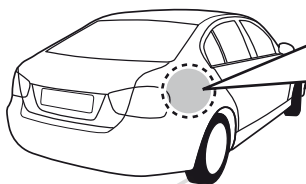
OPTION 1: E60 / E61



<p><b>INFO</b></p>		

27

OPTION 2: Other models



<p><b>INFO</b></p>		

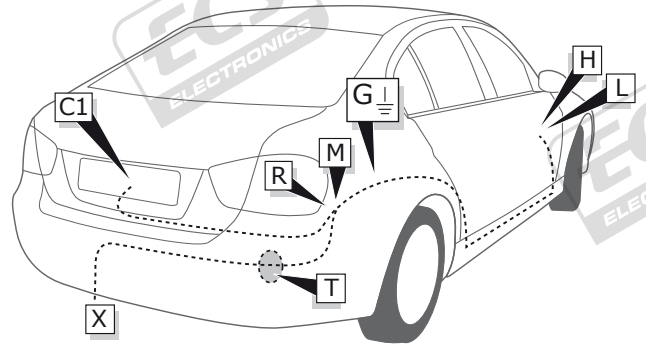
28



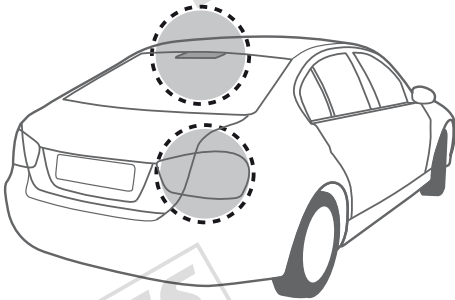
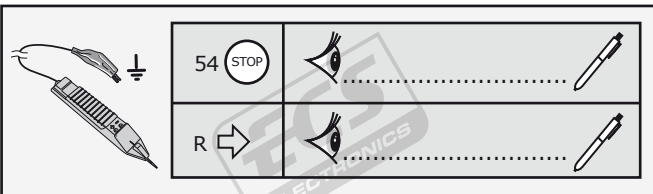
Pag. 26

**BMW 5 Series E60, E61, F07**  
**BMW 7 Series E65, E66**  
**BMW X1 Series E84**  
**BMW X5 Series E70**  
**BMW X6 Series E71**

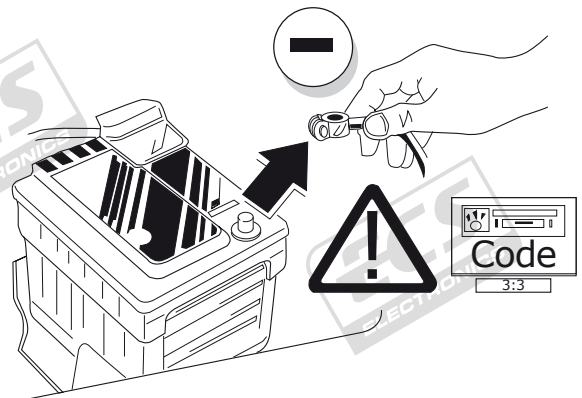
**ROUTING**



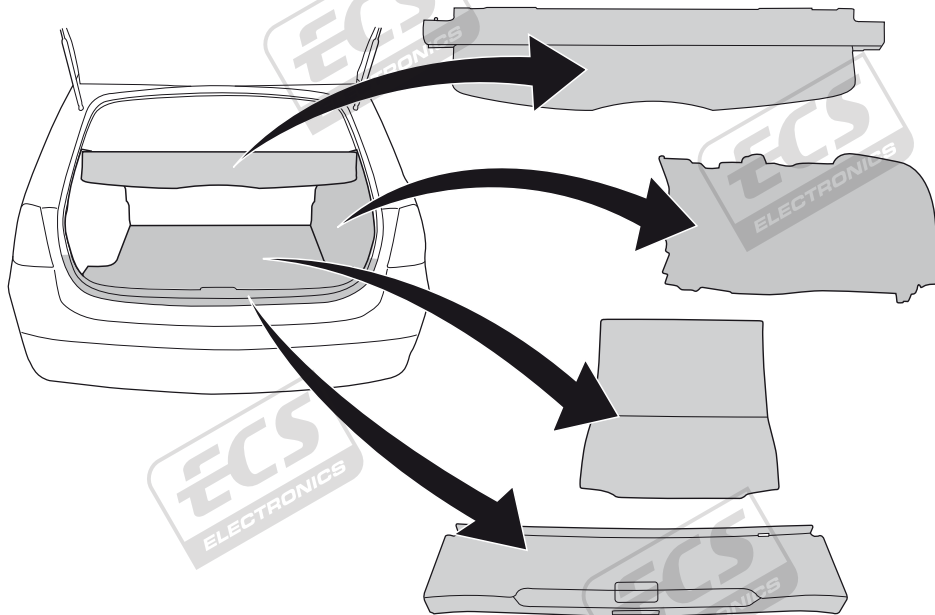
**29**



**30**



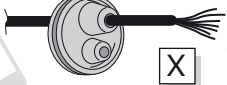
**31**



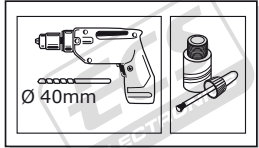
32

INFO

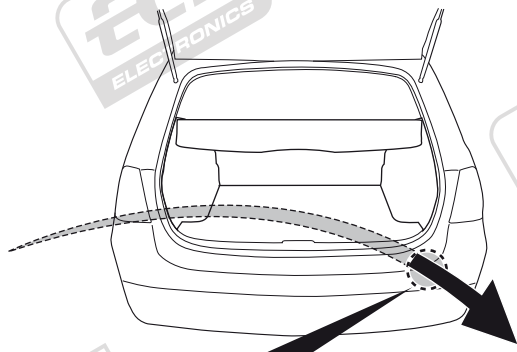
X



2



1



INFO

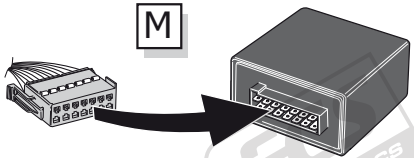
SOCKET CONNECTION



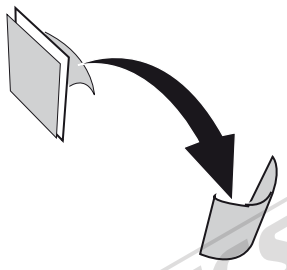
Pag. 28

33

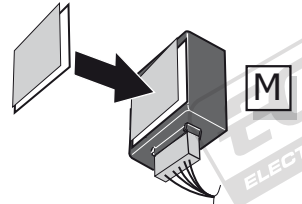
1



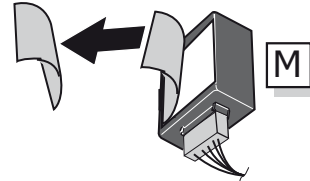
2



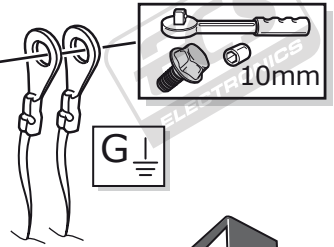
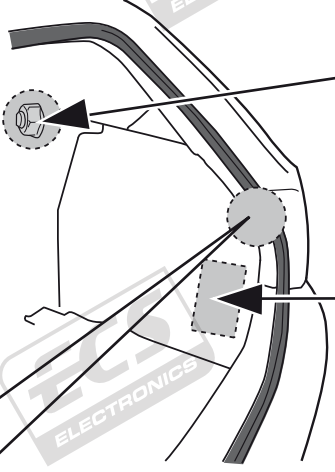
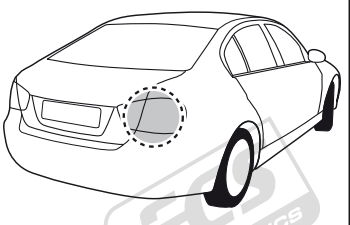
3



4



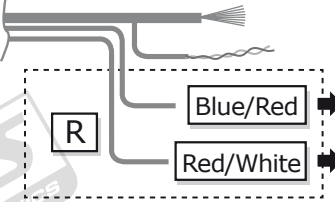
34



10mm

M

INFO



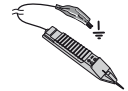
R

Blue/Red  
Red/White

54 STOP  
R ↔

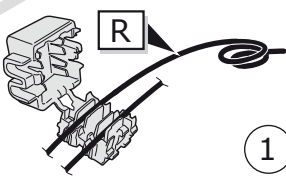


Pag. 14



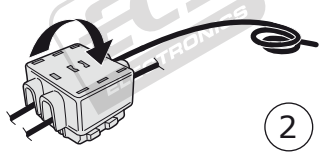
54 STOP

R ↔

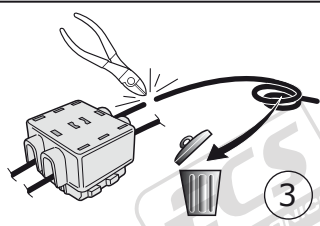


R

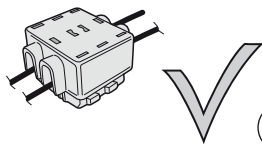
1



2



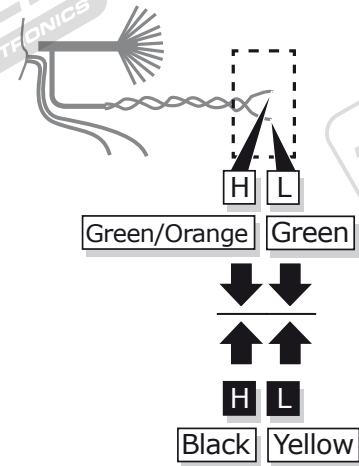
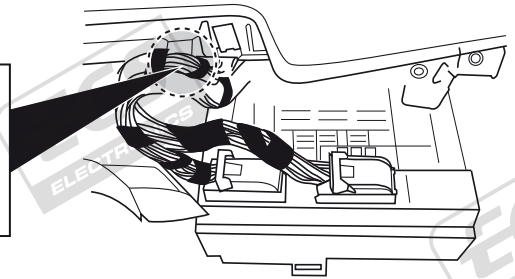
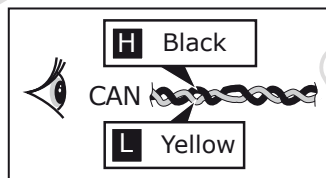
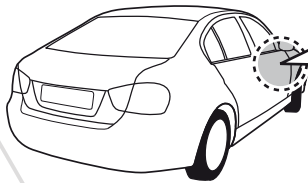
3



4

35

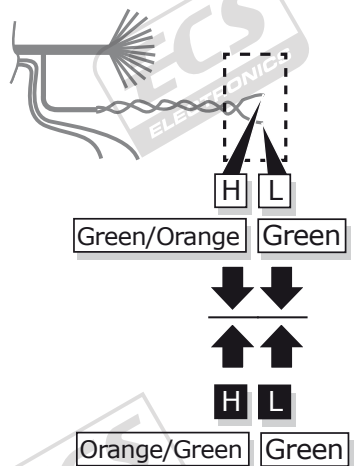
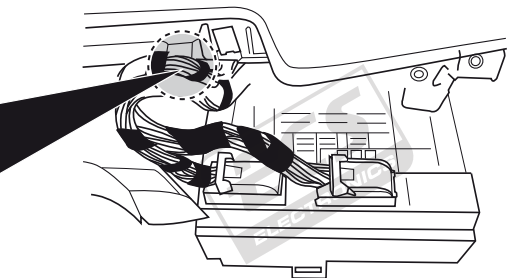
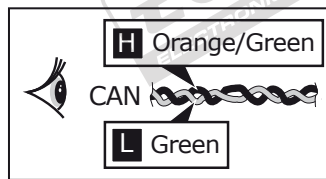
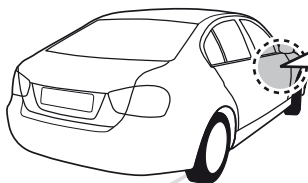
OPTION 1: E60 / E61



<b>INFO</b>		

36

OPTION 2: Other models



<b>INFO</b>		

37

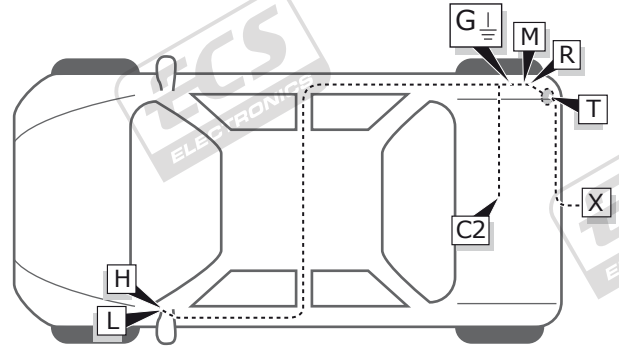


Pag. 26

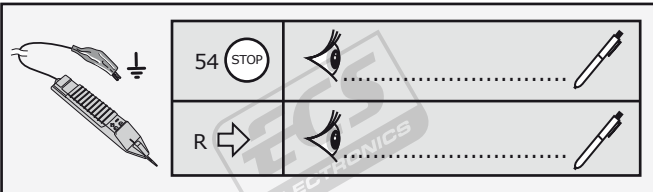


**BMW 1 Series E81, E82, E87, E88**  
**BMW 3 Series E90, E91, E92, E93**

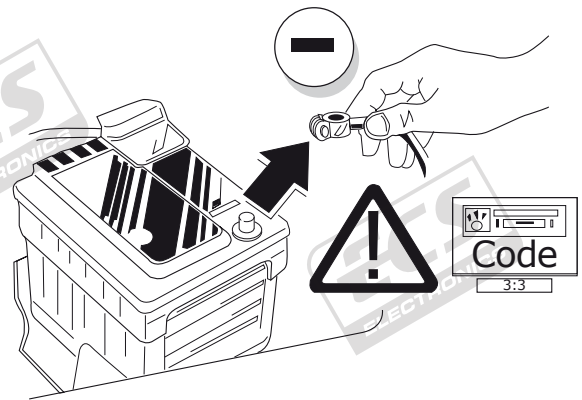
**ROUTING**



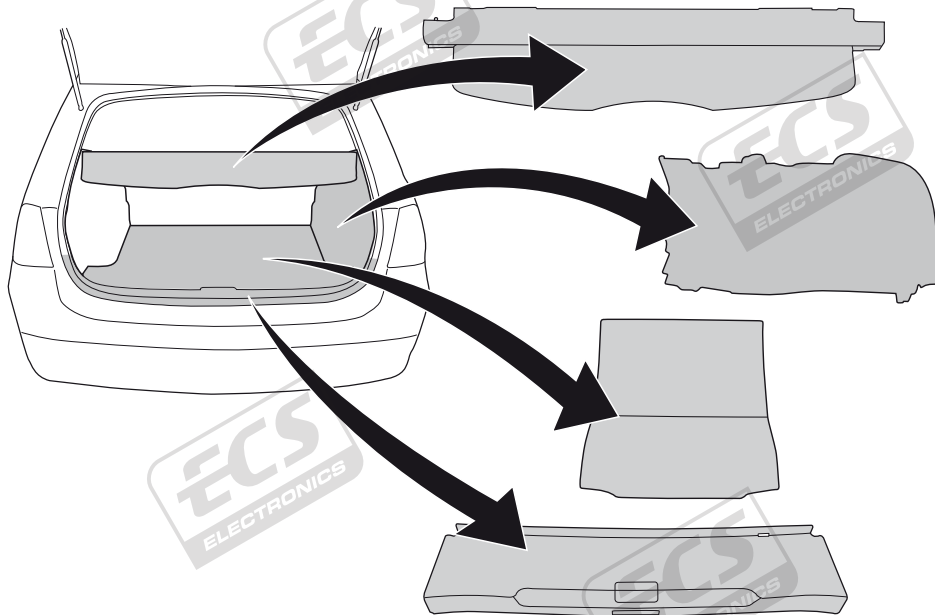
**38**



**39**



**40**



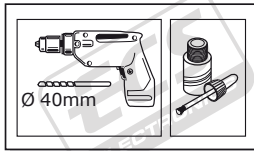
41

INFO

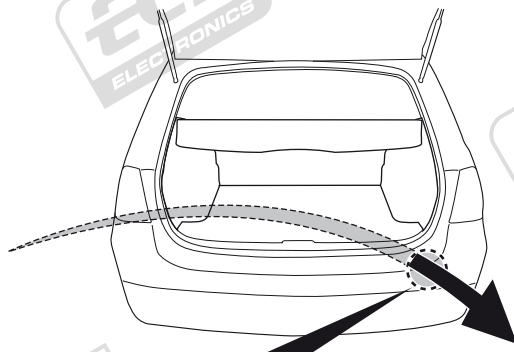
X



2



1



INFO

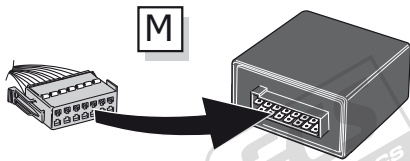
SOCKET CONNECTION



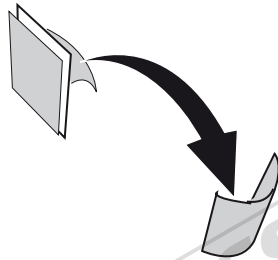
Pag. 28

42

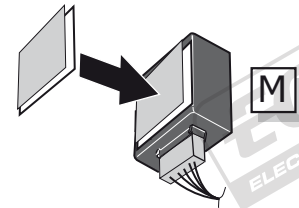
1



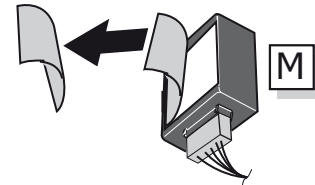
2



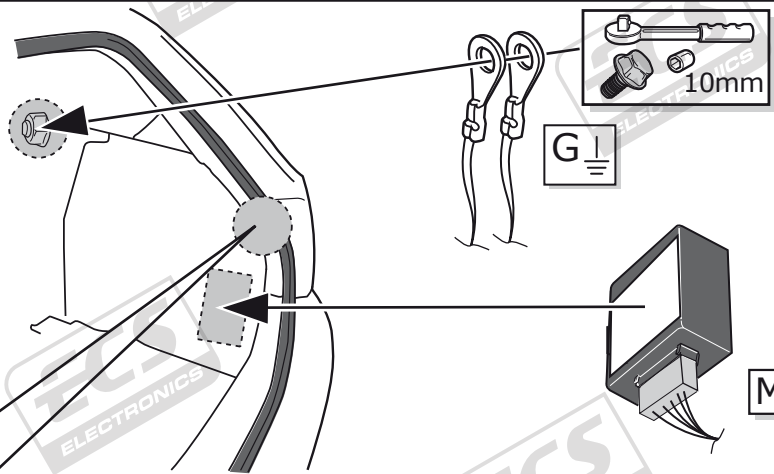
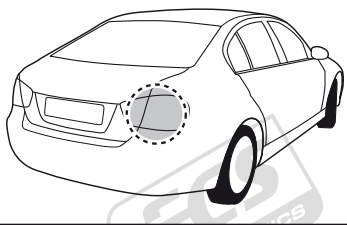
3



4



43

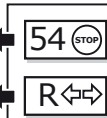


INFO

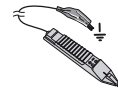
R

Blue/Red

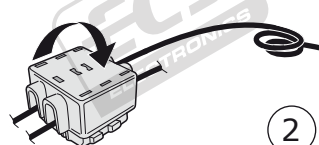
Red/White



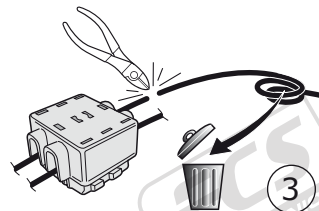
Pag. 17



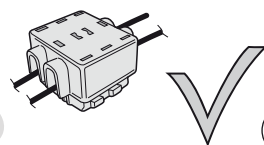
1



2

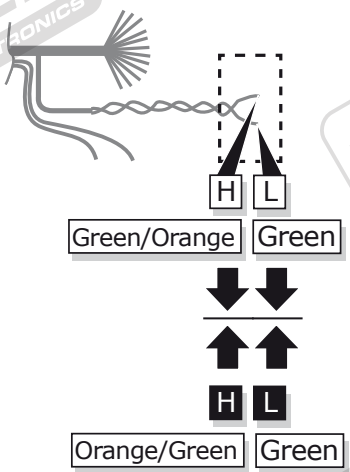
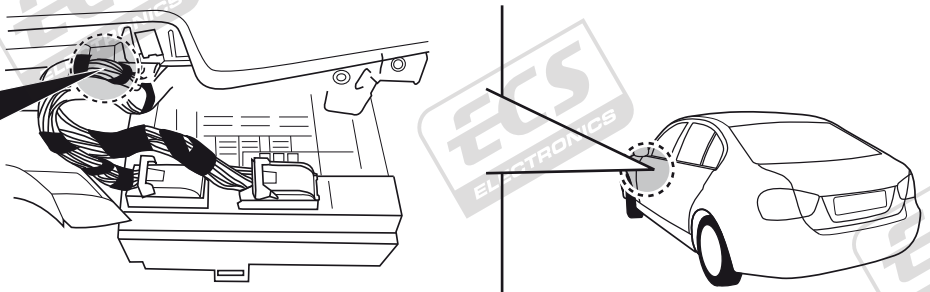
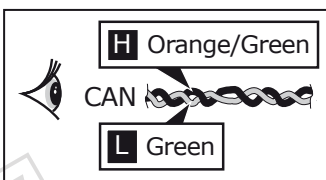


3



4

44



<b>INFO</b> 		

45



# BMW 1 Series F20, F21

## ROUTING

### INFO



without PDC cut off function

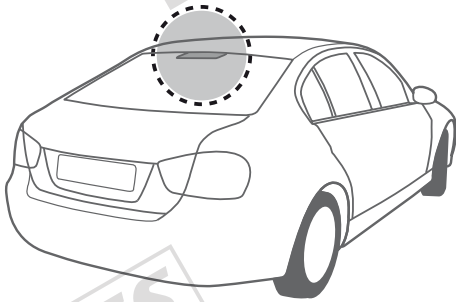
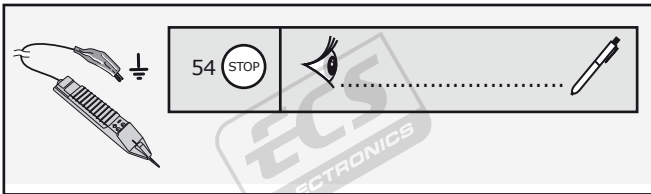
PARK DISTANCE CONTROL



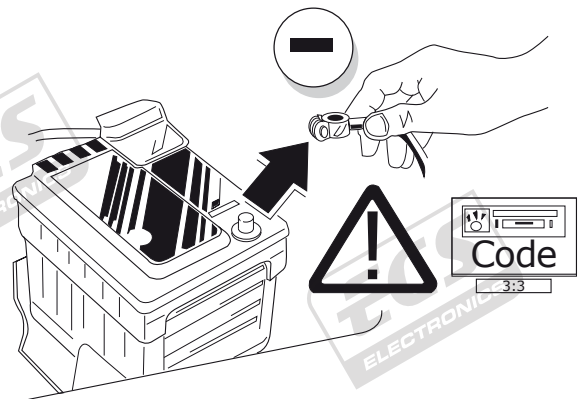
PARK DISTANCE CONTROL



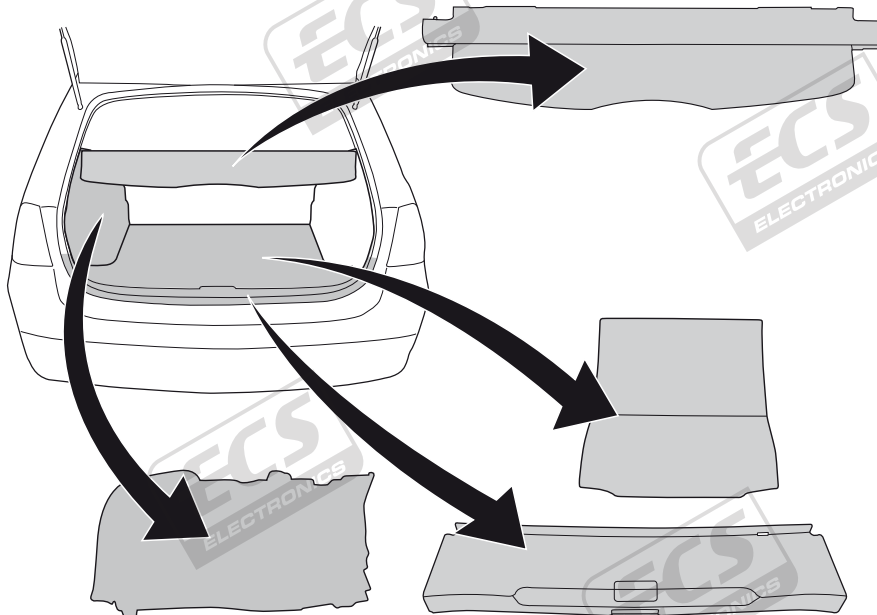
### 46



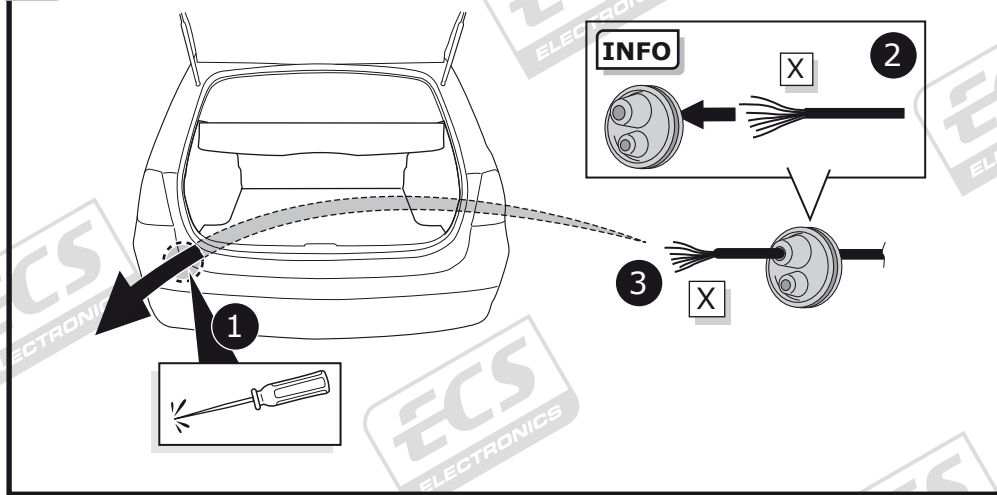
### 47



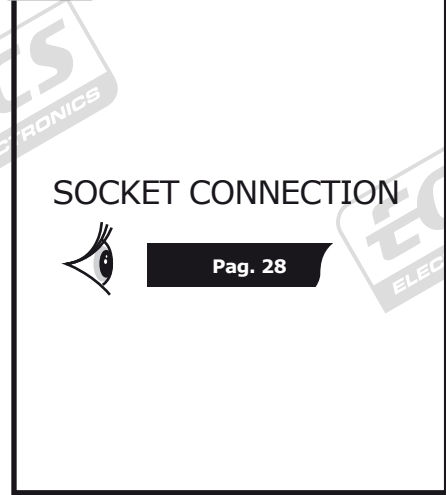
### 48



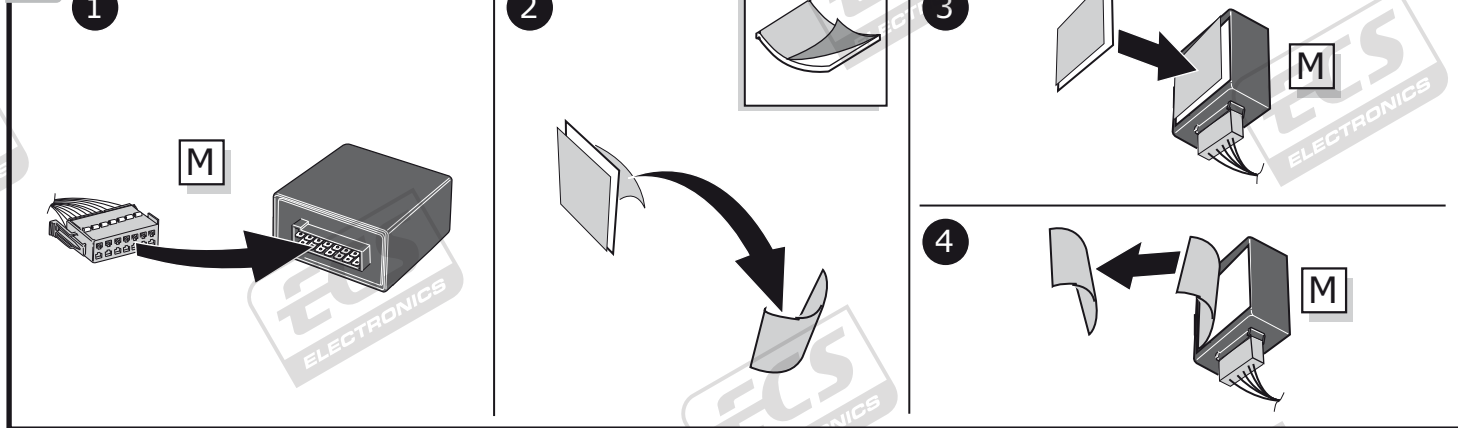
49



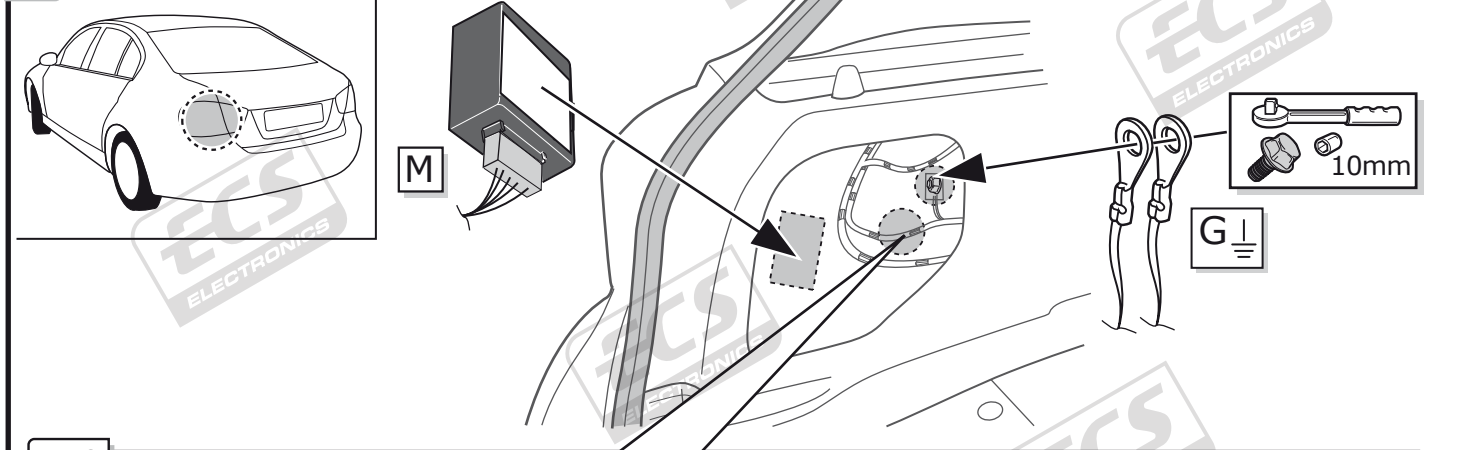
INFO



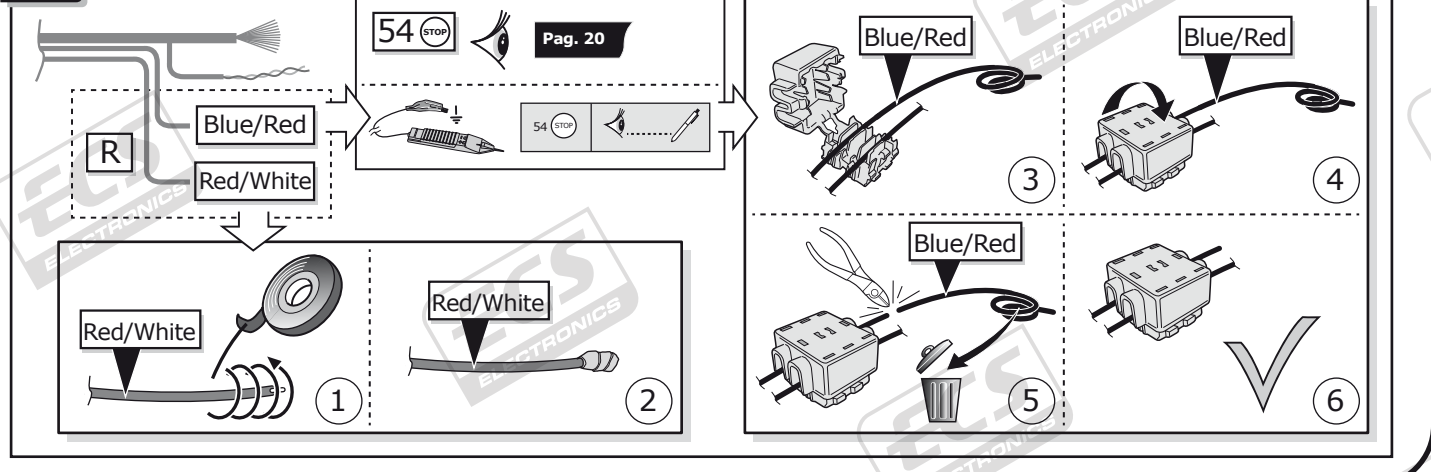
50



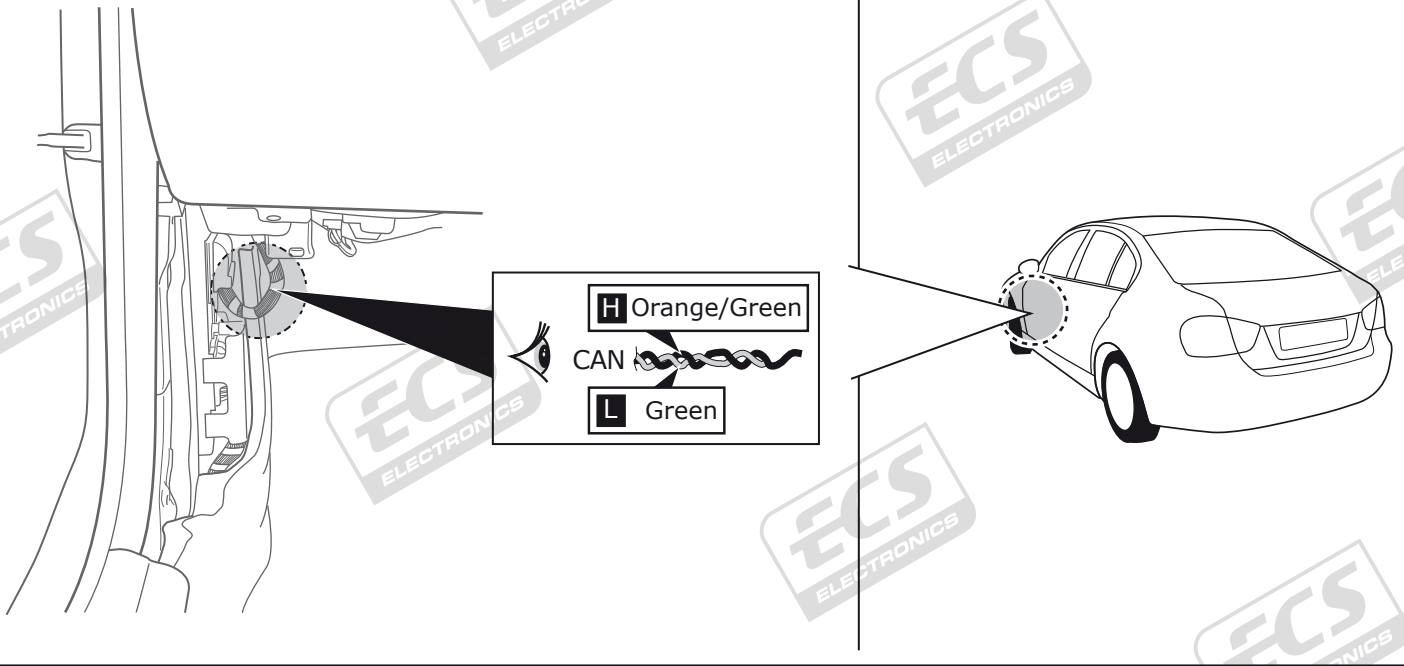
51



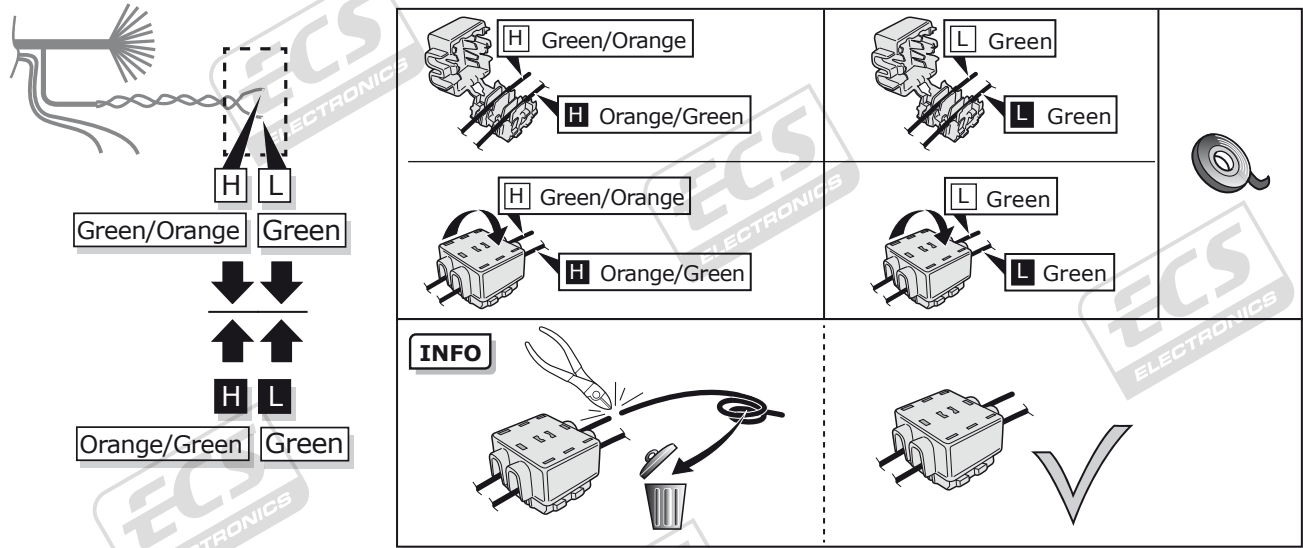
INFO



52



53

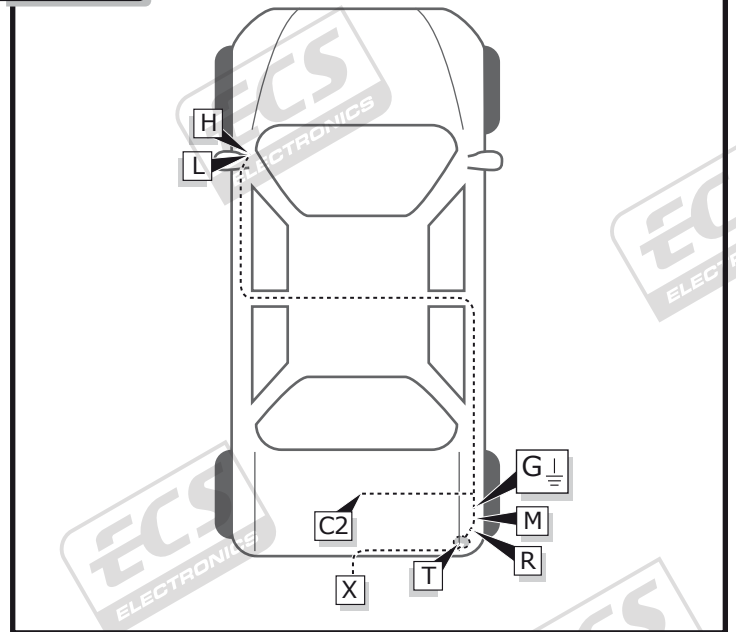


54

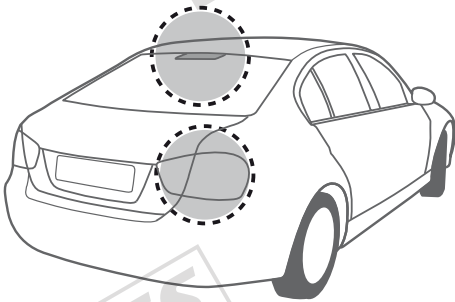
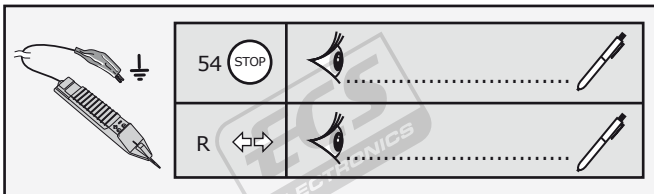


# BMW 3 Series F30, F31, F34

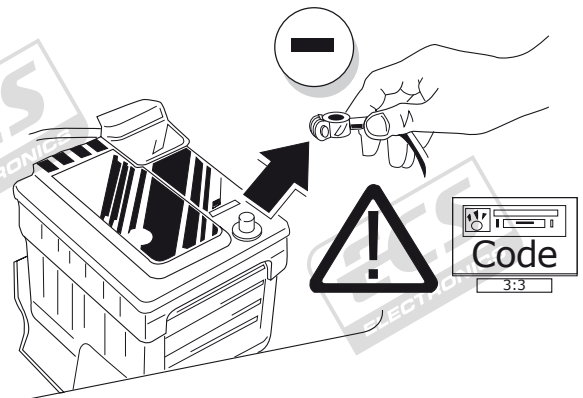
## ROUTING



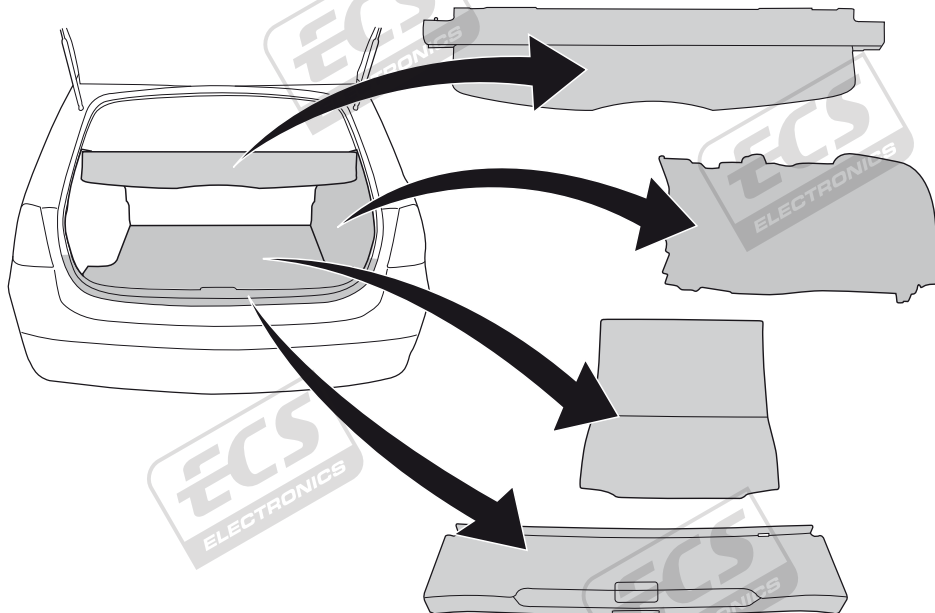
55



56



57



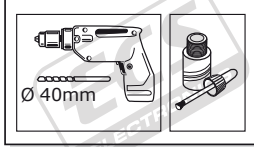
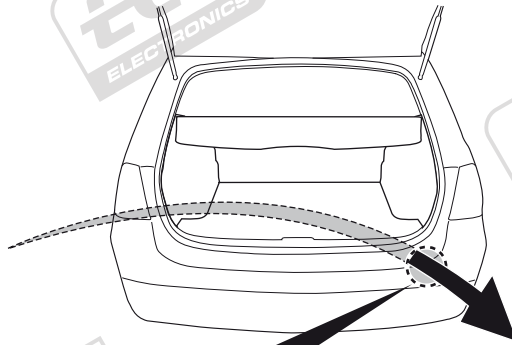
58

INFO

X



2



1

INFO

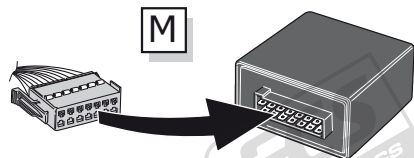
SOCKET CONNECTION



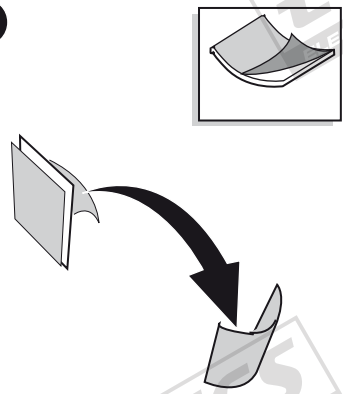
Pag. 28

59

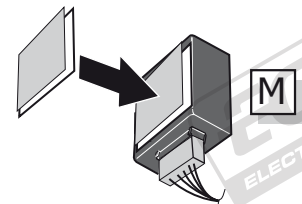
1



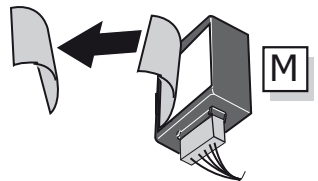
2



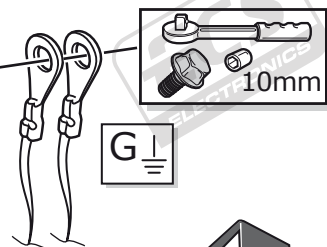
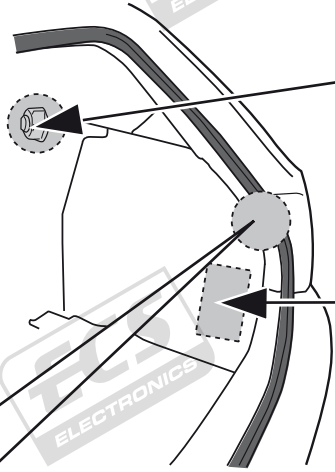
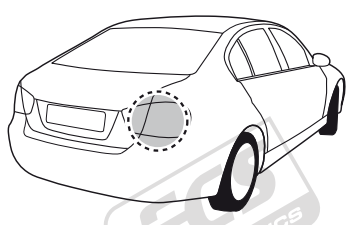
3



4



60



M

INFO

R

Blue/Red

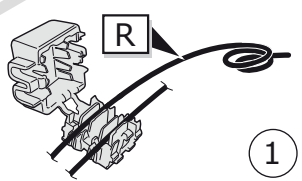
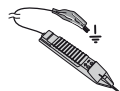
Red/White

54 STOP

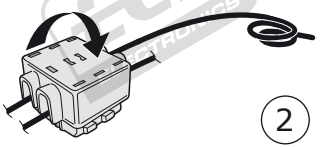
R ↔



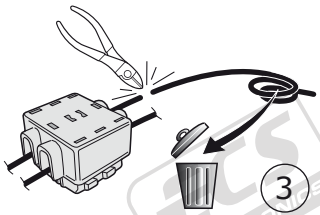
Pag. 23



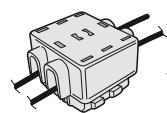
1



2



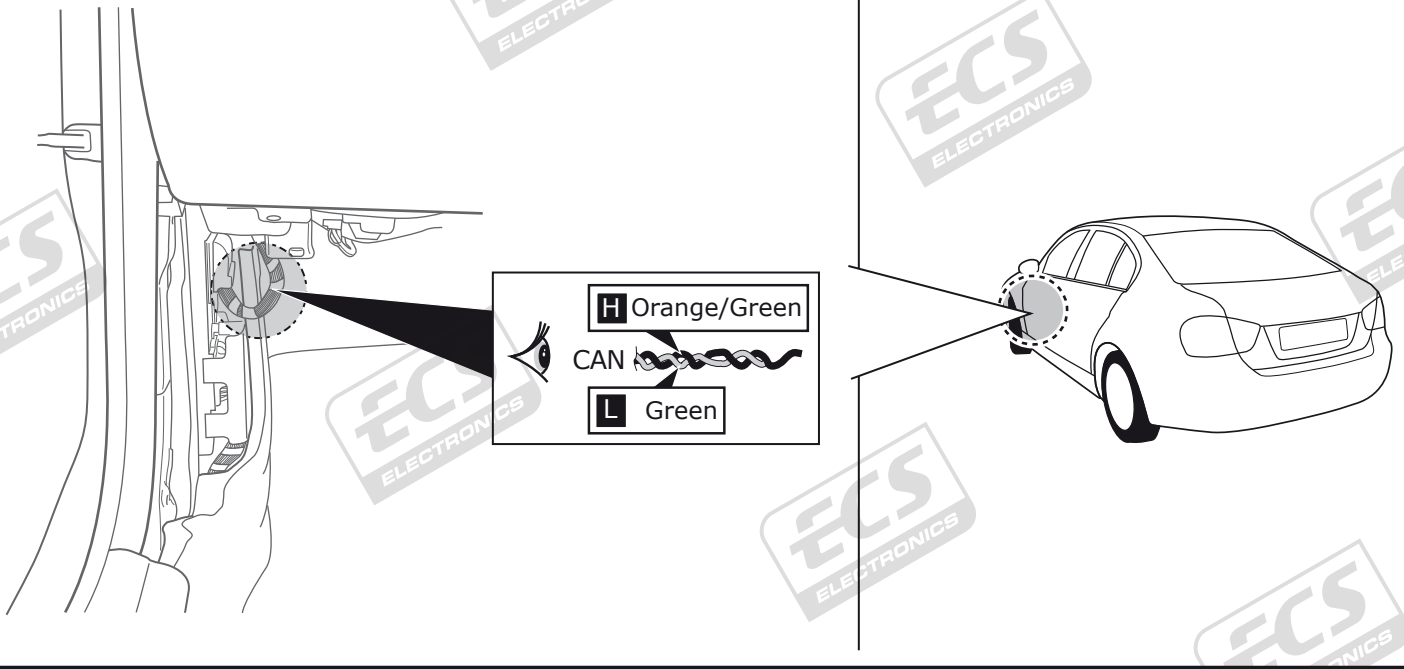
3



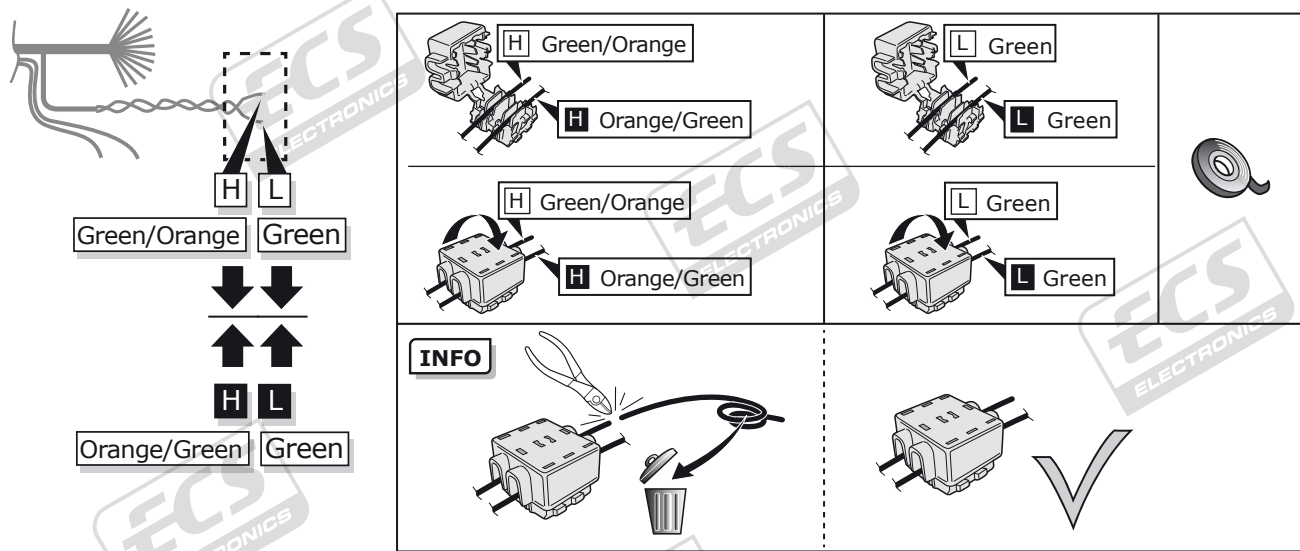
4



61



62

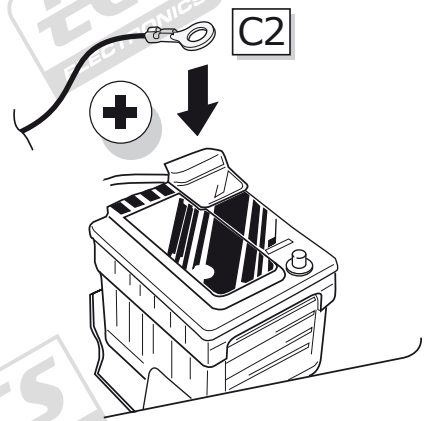
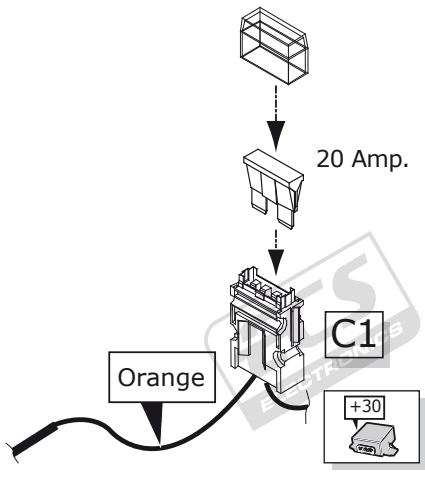


63

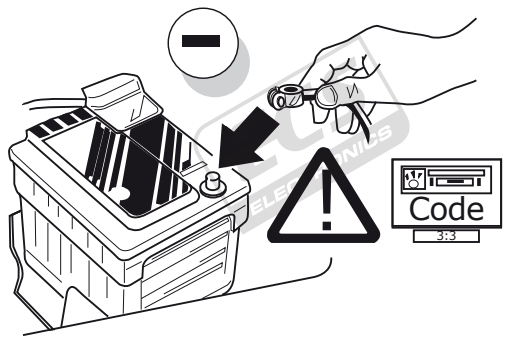


Pag. 26

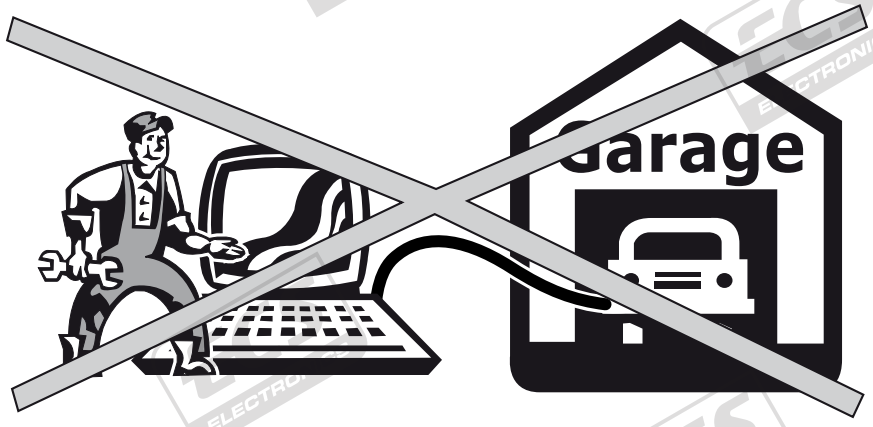
64



65



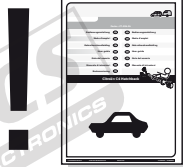
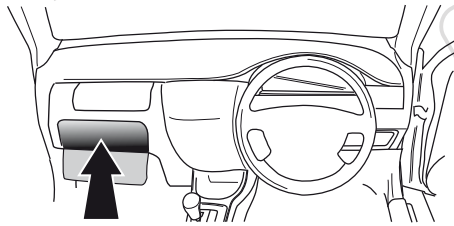
66



**!** TEST ALL THE CIRCUITS WITH A TEST DEVICE WITH THE CORRECT POWER LOAD FOR EACH FUNCTION. A TEST DEVICE WITH LED'S CANNOT BE USED FOR THIS PURPOSE.

## INFO

REINSTALL TRIM.



**User guide**

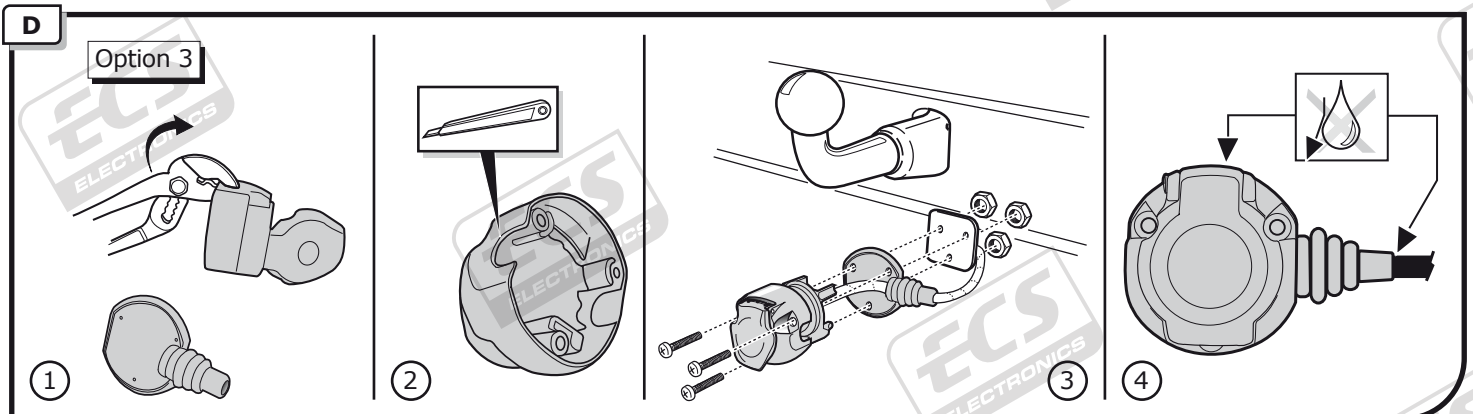
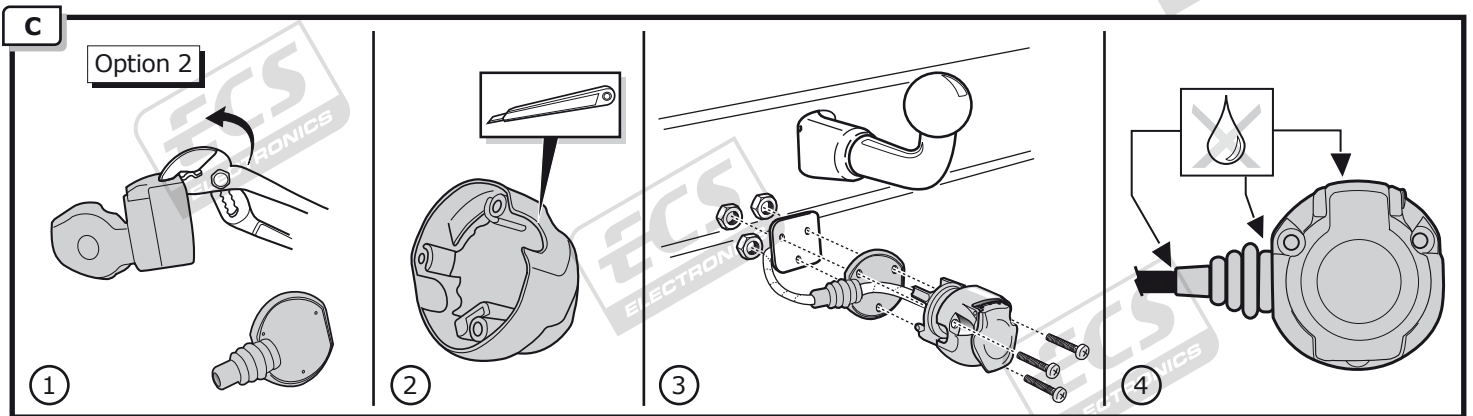
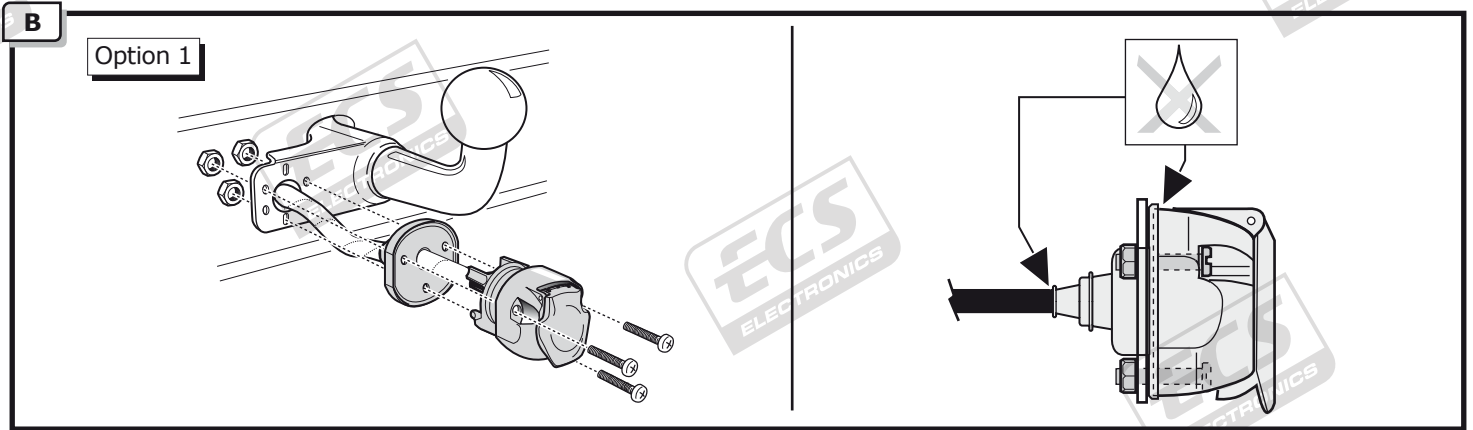
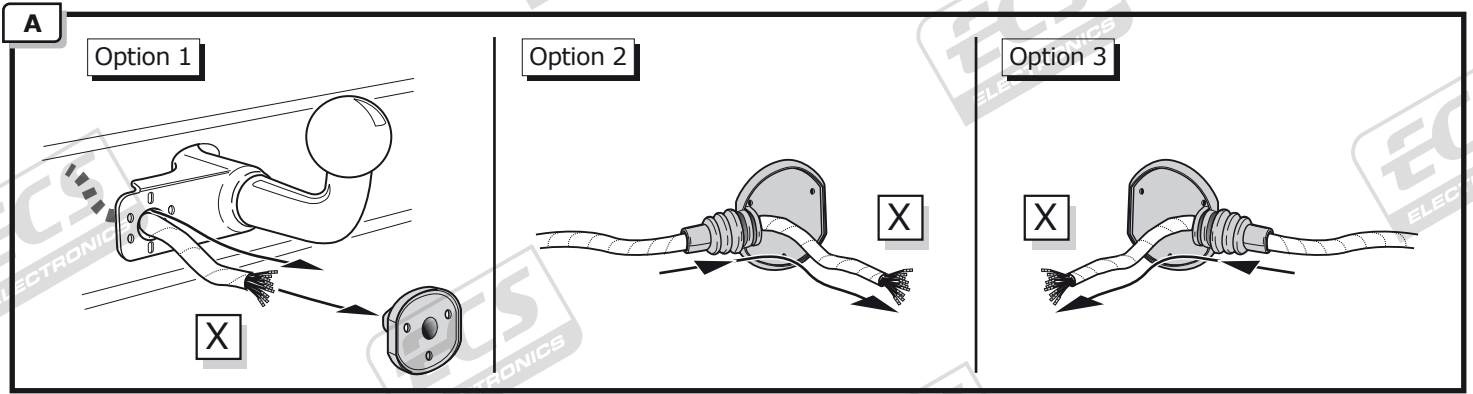


## INFO

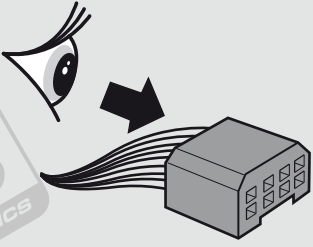
SOCKET CONNECTION

DIN/ISO 11446													
	1/L	2	3/31	4/R	5/58-R	6/54	7/58-L	8	9	10	11	12	13
Pmax	21W	21W		21W	42W	3x21W	42W	21W	180W/15Amp	180W/15Amp			
Colour	Yellow	Blue	White	Green	Brown	Red 1,00 mm <sup>2</sup>	Black	Black/ Red	Brown/ White	Red 2,50 mm <sup>2</sup>	White	-	White

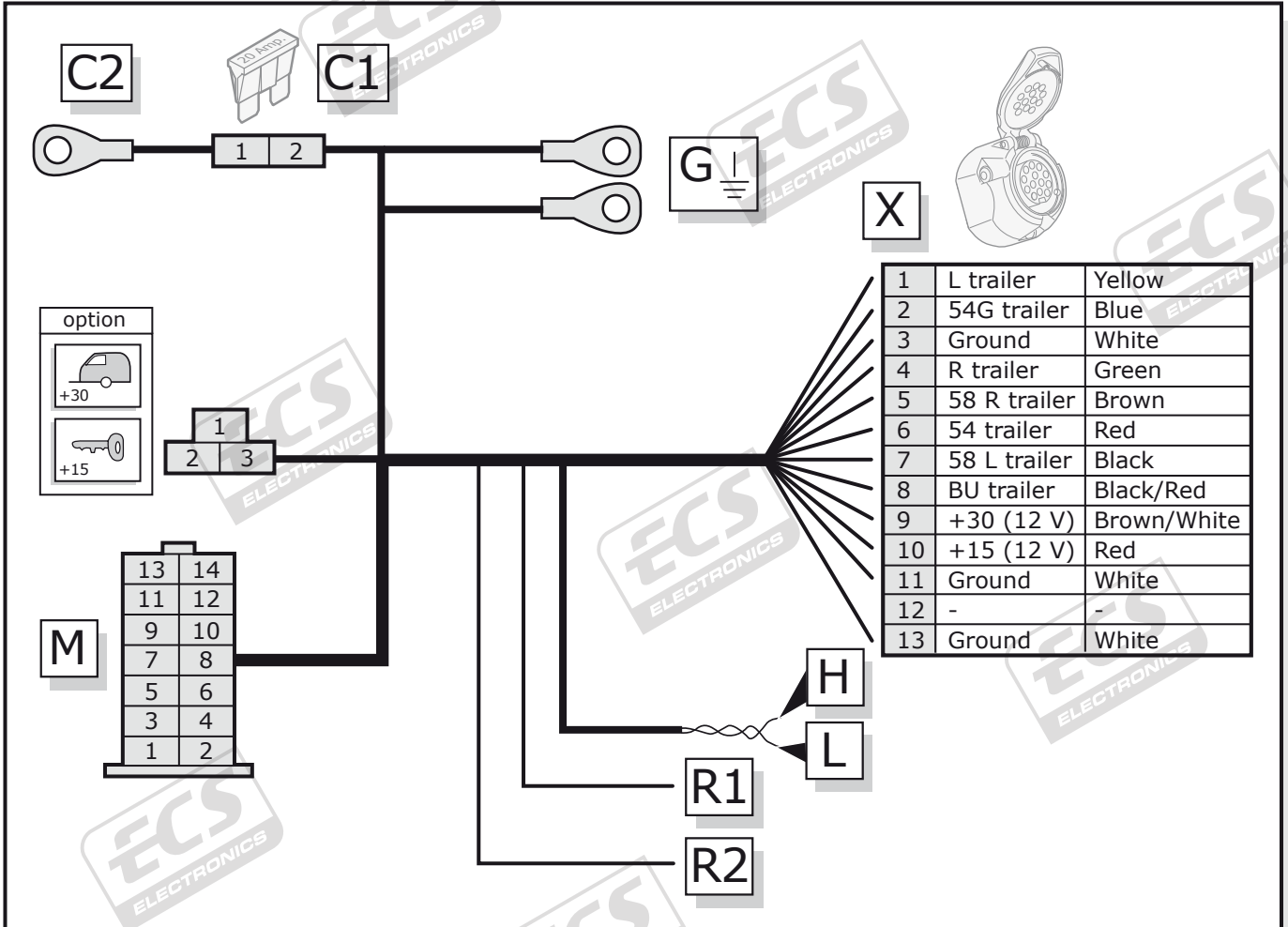
# INFO SOCKET CONNECTION



# INFO POWER SCHEDULE BW-008-D1U



L		54	
R		54G	
58L		BU	
58R		Ground/31	



1	L trailer	Yellow
2	54G trailer	Blue
3	Ground	White
4	R trailer	Green
5	58 R trailer	Brown
6	54 trailer	Red
7	58 L trailer	Black
8	BU trailer	Black/Red
9	+30 (12 V)	Brown/White
10	+15 (12 V)	Red
11	Ground	White
12	-	-
13	Ground	White

<b>M</b>	1	Red	54 trailer	out
	2	Orange	+30 (12 V)	in
	3	Red/White	R	in
	4	Yellow	L trailer	out
	5	Blue/Red	54	in
	6	Black	58 L trailer	out
	7	Green	CAN L	in
	8	White	Ground	-
	9	Green/Orange	CAN H	in
	10	Green	R trailer	out
	11	Blue	54G trailer	out
	12	Brown	58 R trailer	out
	13	Black/Red	BUT	out
	14	Orange	+30	in

<b>OPTION</b>	1	-	-	-
	2	Brown/White	+30 (12 V)	in
	3	Red	+15 (12 V)	in

<b>H</b>	Green/Orange	Can H	in
----------	--------------	-------	----

<b>L</b>	Green	Can L	in
----------	-------	-------	----

<b>R1</b>	Blue/Red	54	in
-----------	----------	----	----

<b>R2</b>	Red/White	R	in
-----------	-----------	---	----

<b>G</b>	White	Ground	-
----------	-------	--------	---

<b>C1</b>	1	Red	+30 (12 V)	in
	2	Orange	+30 (12 V)	out