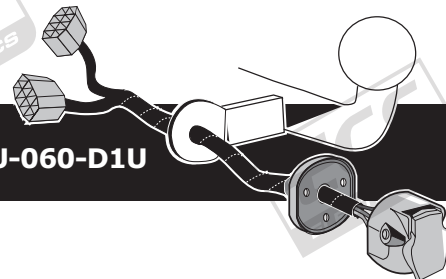


**Audi A6 Sedan 01/2015- (4G)**  
**Audi A7 Sportback 01/2015- (4G)**  
**Audi A6 Avant 01/2015- (4G5)**

Only for models without towbar preparation

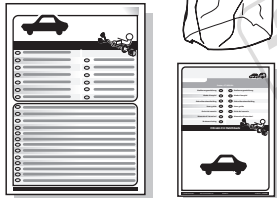
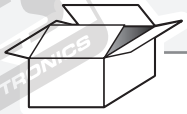
Partnr.: AU-060-D1U



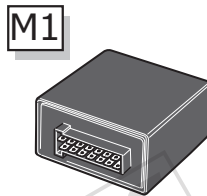
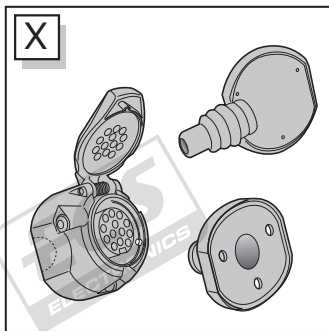
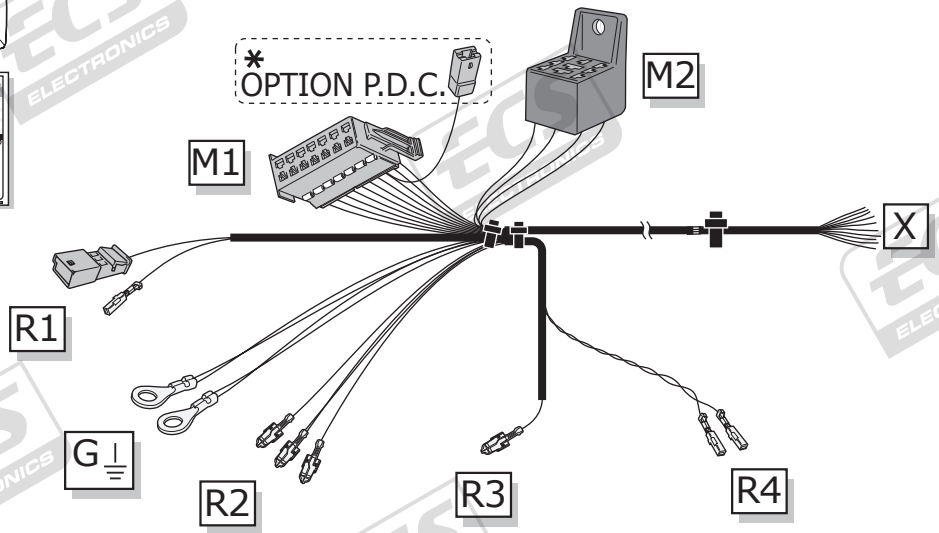
- Fitting instructions electric wiring kit tow bar with 13-P socket up to DIN/ISO Norm 11446.
- We would expressly point out that assembly not carried out properly by a competent installer will result in cancellation of any right to damage compensation, in particular those arising by virtue of the product liability act.
- Contents of these kits and their fitting manuals are subject to alteration without notice, please ensure that these instructions are read and fully understood before commencing installation.
- Do not overload circuits; the maximum loads per connection are detailed in this manual.
- Attention! Before Installation, please read this manual carefully and inform your customer to consult the vehicle owners manual to check for any vehicle modifications required before towing.
- In the event of functional problems, troubleshooting must be limited to about 0.5 hours, contact the technical support:  
[t.skinner@ecs-electronics.com](mailto:t.skinner@ecs-electronics.com) / 07440 202 052.



# Part list



\* OPTION P.D.C.



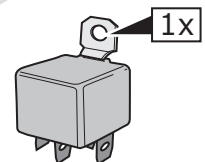
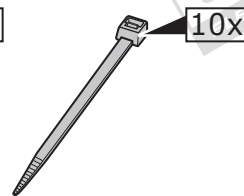
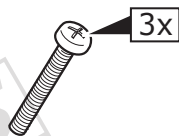
Option P.D.C. \*

PARK DISTANCE CONTROL

↓

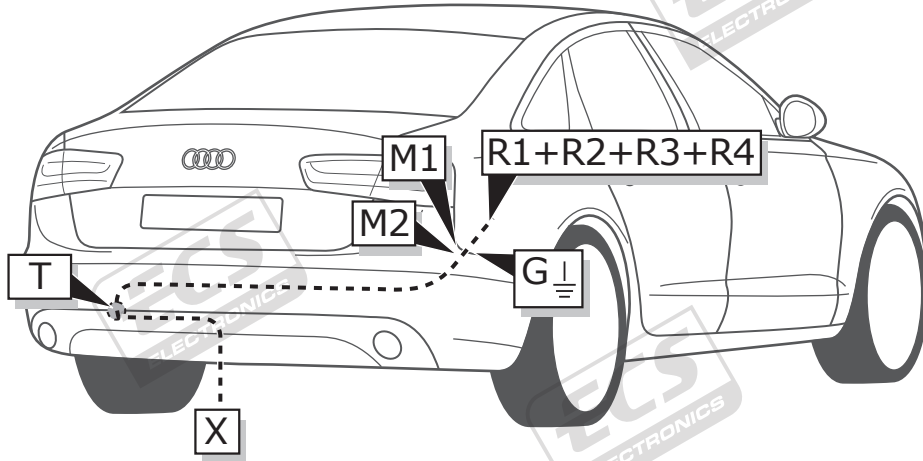
PARK DISTANCE CONTROL

For not OEM P.D.C. System use the: VW-083-ZZ



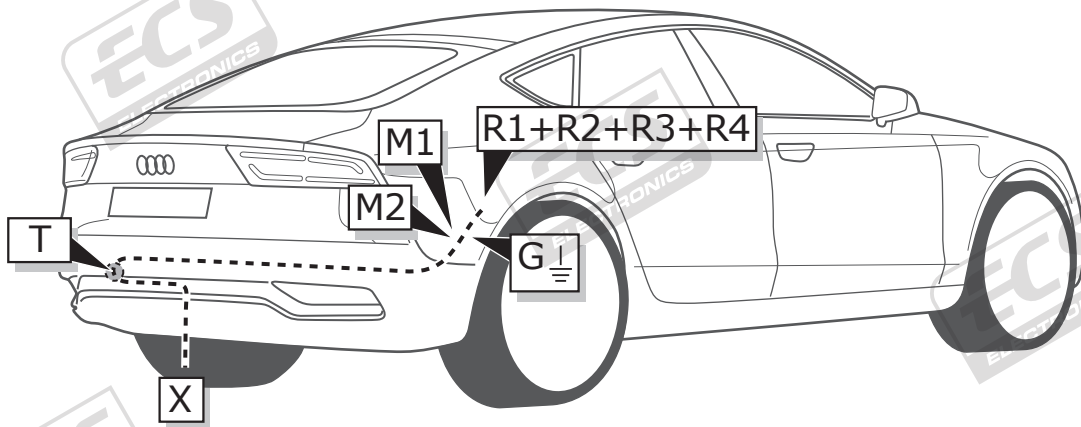
## Audi A6 Sedan

### ROUTING



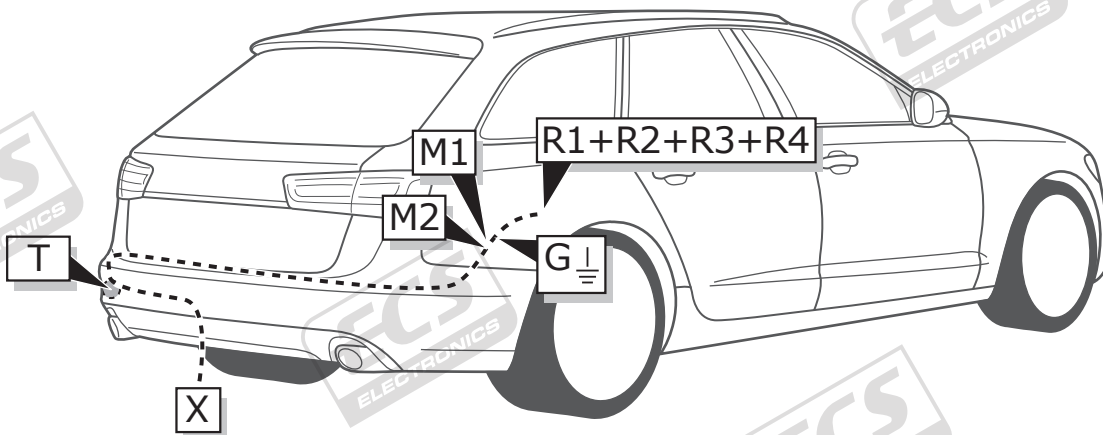
## Audi A7 Sportback

### ROUTING



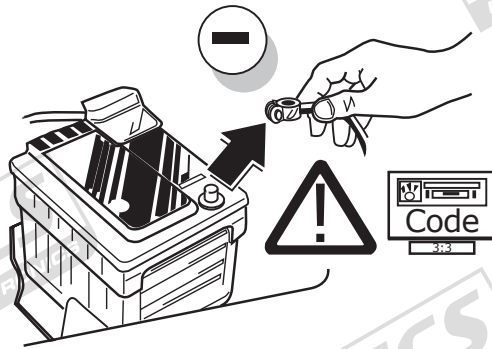
## Audi A6 Avant

### ROUTING



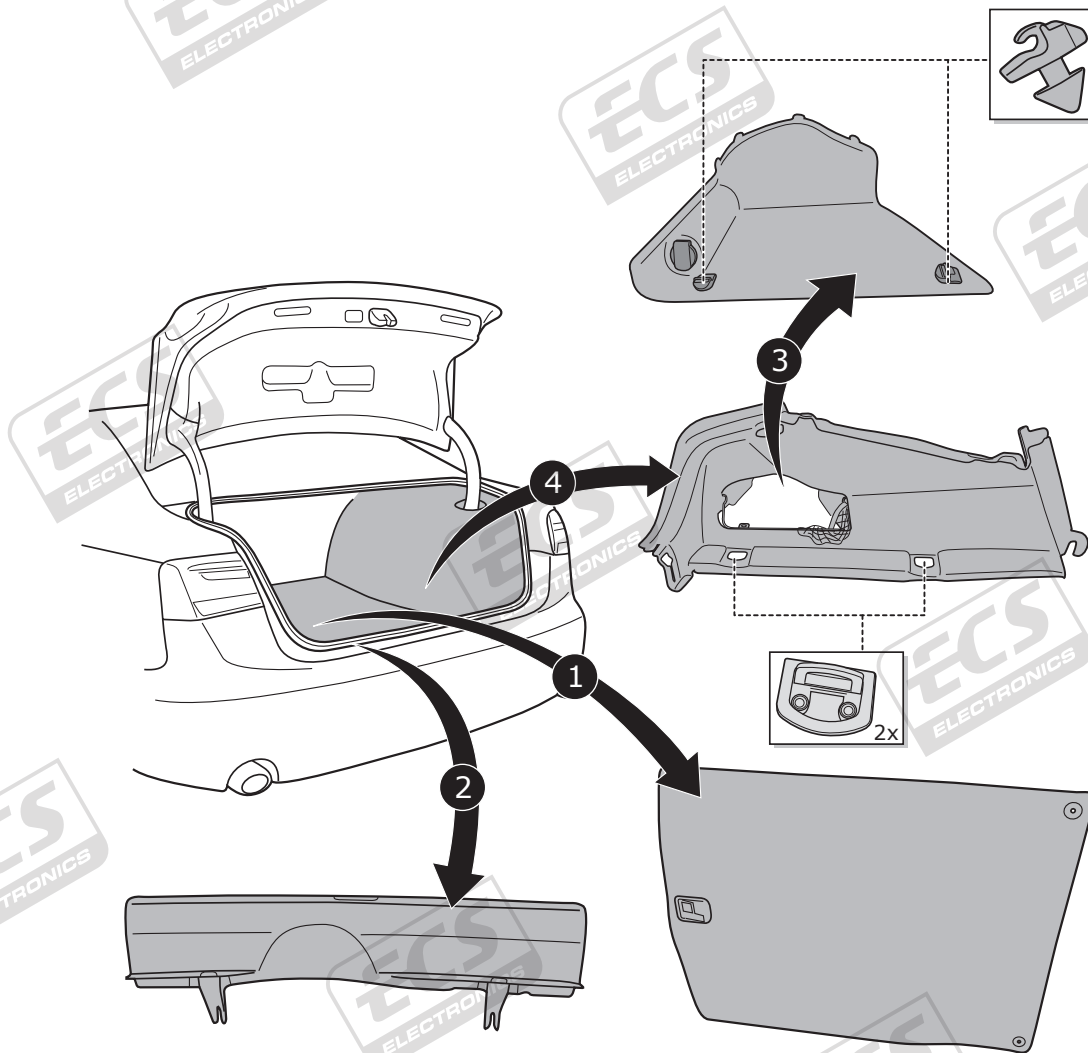
# All Models

1



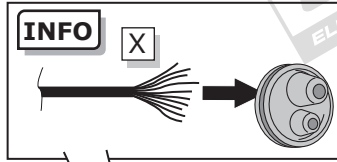
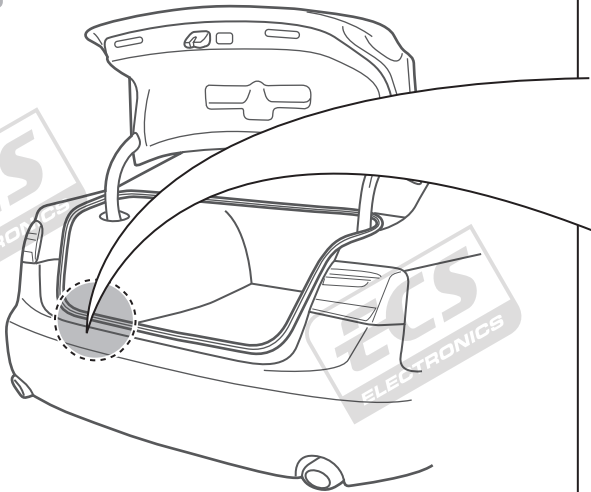
# A6 Sedan

2



# A6 Sedan

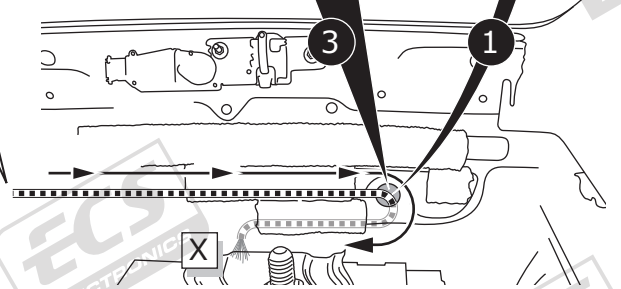
3



2

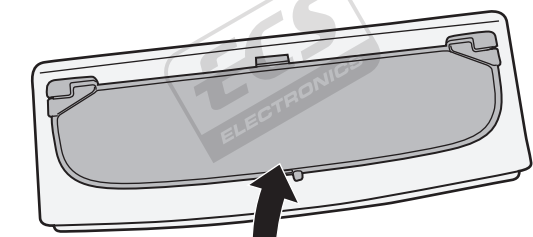
3

1



# A7 Sportback

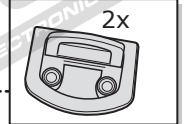
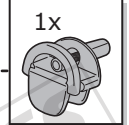
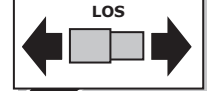
4



1

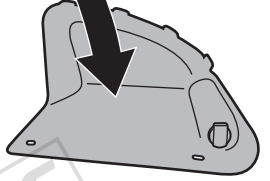


2



7

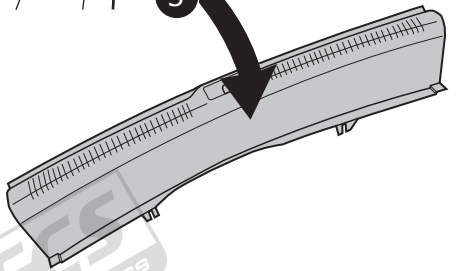
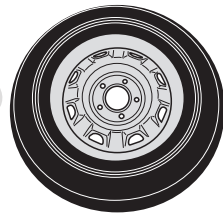
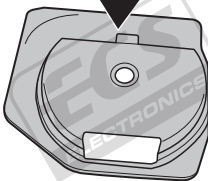
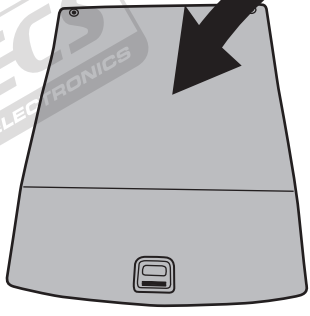
6



3

4

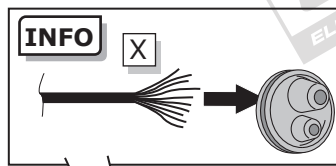
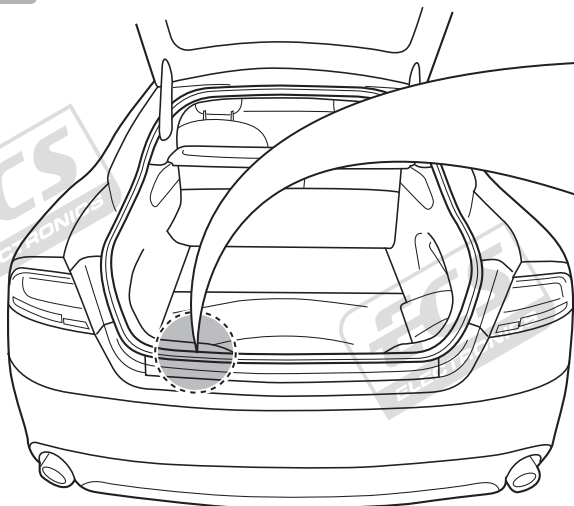
5





## A7 Sportback

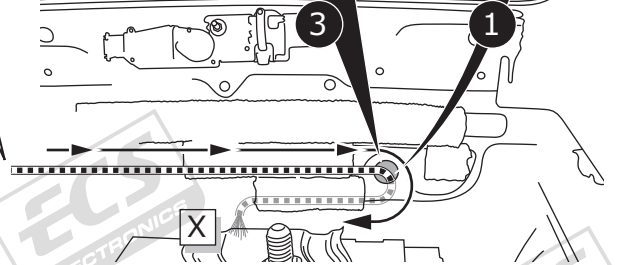
5



2

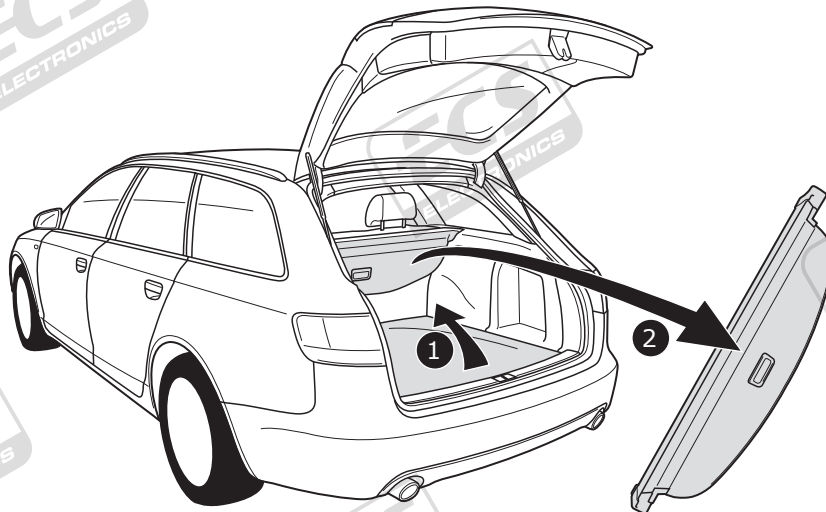
3

1

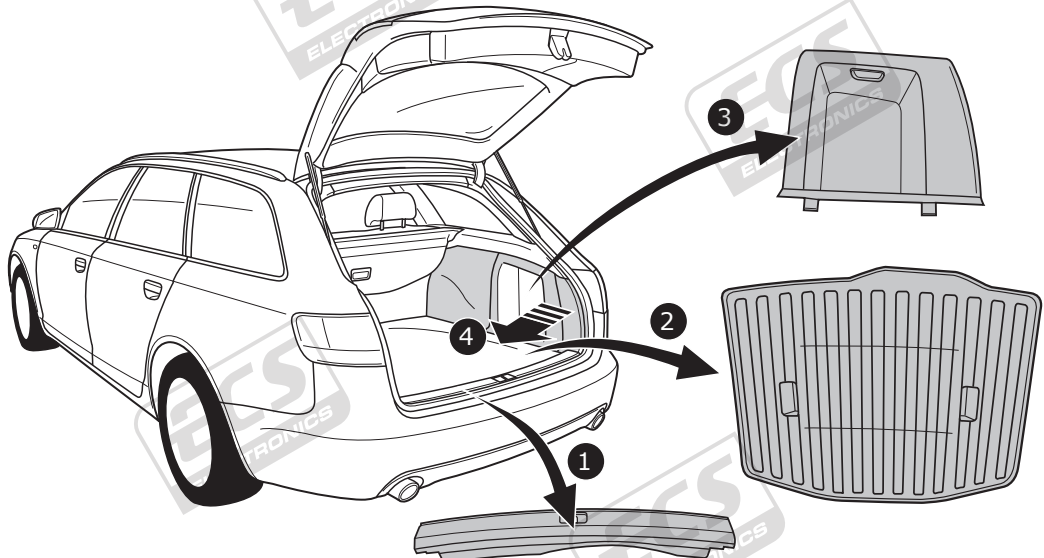


## A6 Avant

6

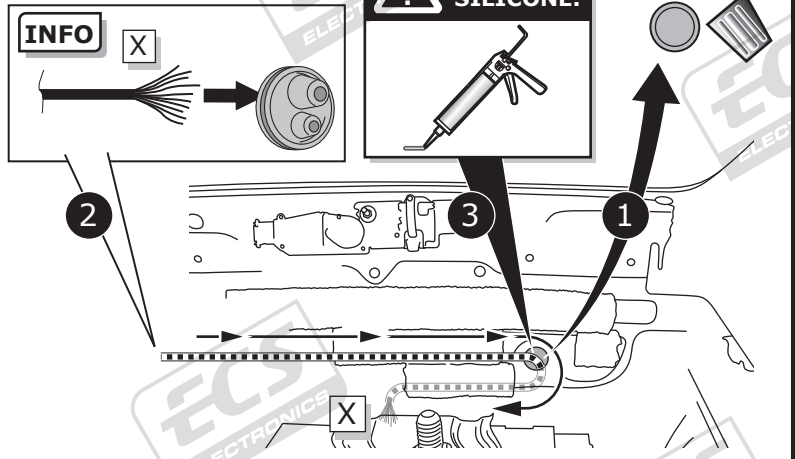
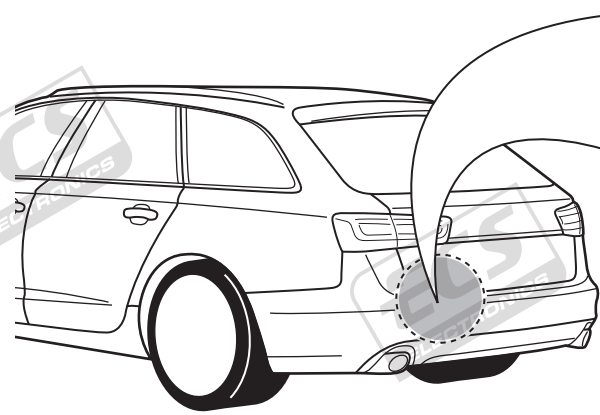


7



# A6 Avant

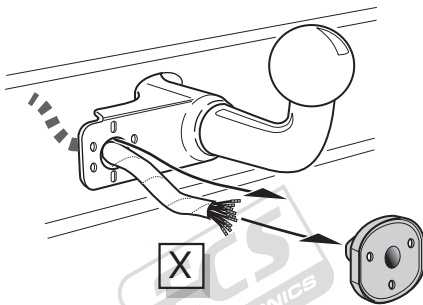
8



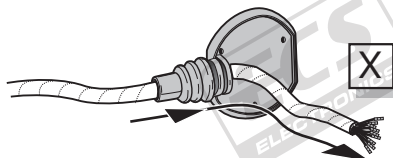
# A6 Sedan / A7 Sportback / A6 Avant

A

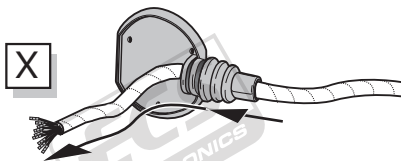
Option 1



Option 2



Option 3



INFO

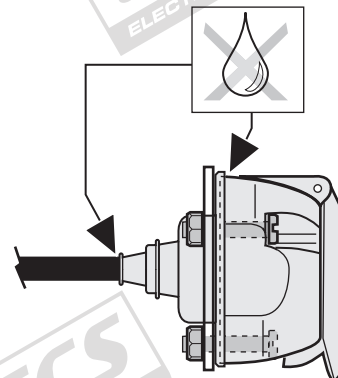
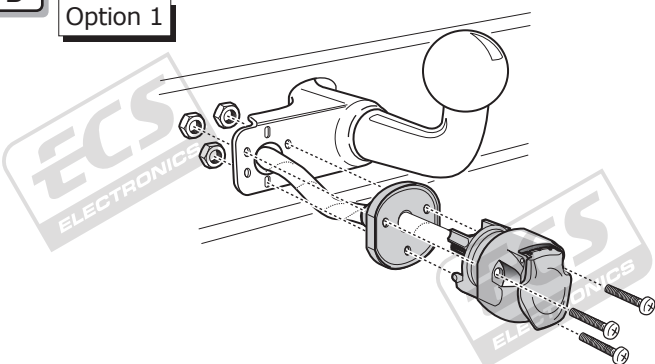
SOCKET CONNECTION



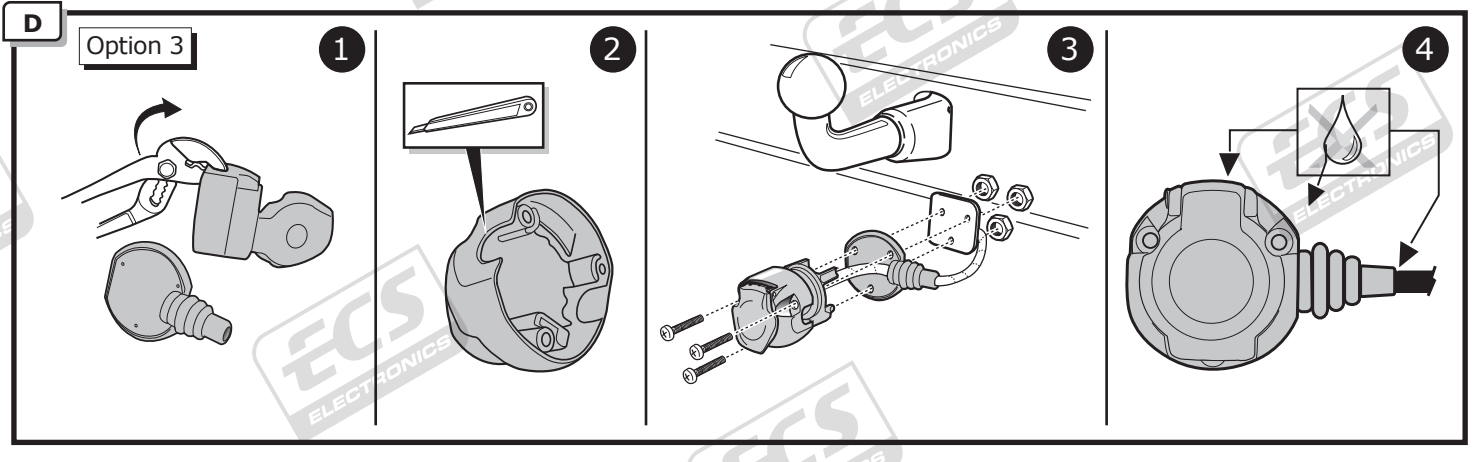
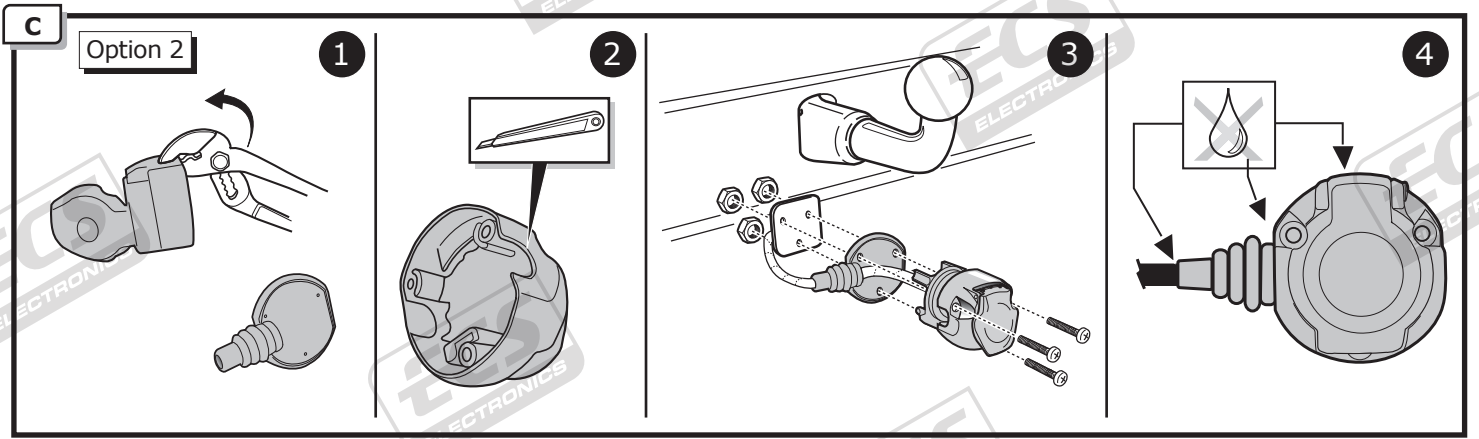
Pag. 19

B

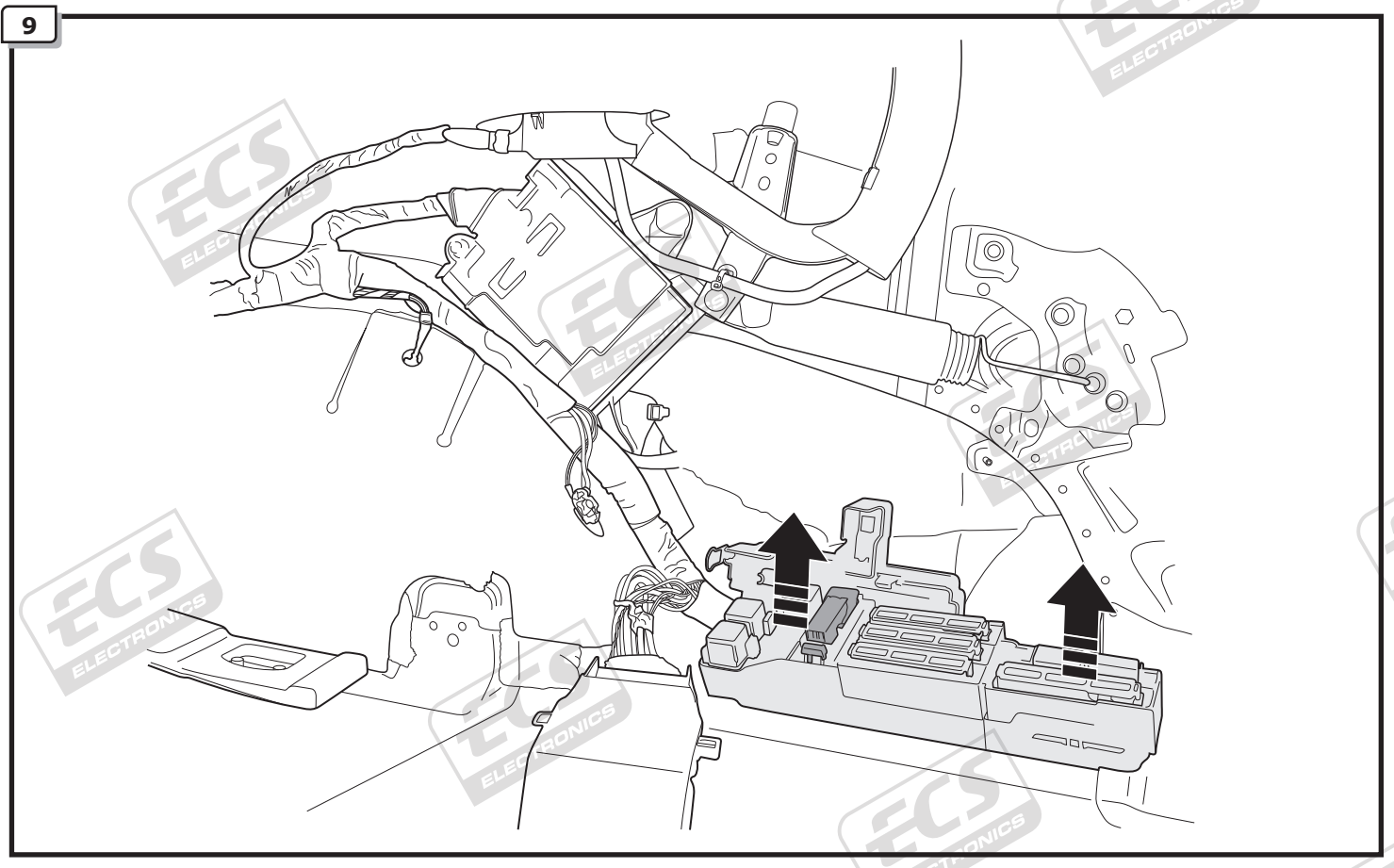
Option 1



A6 Sedan / A7 Sportback / A6 Avant



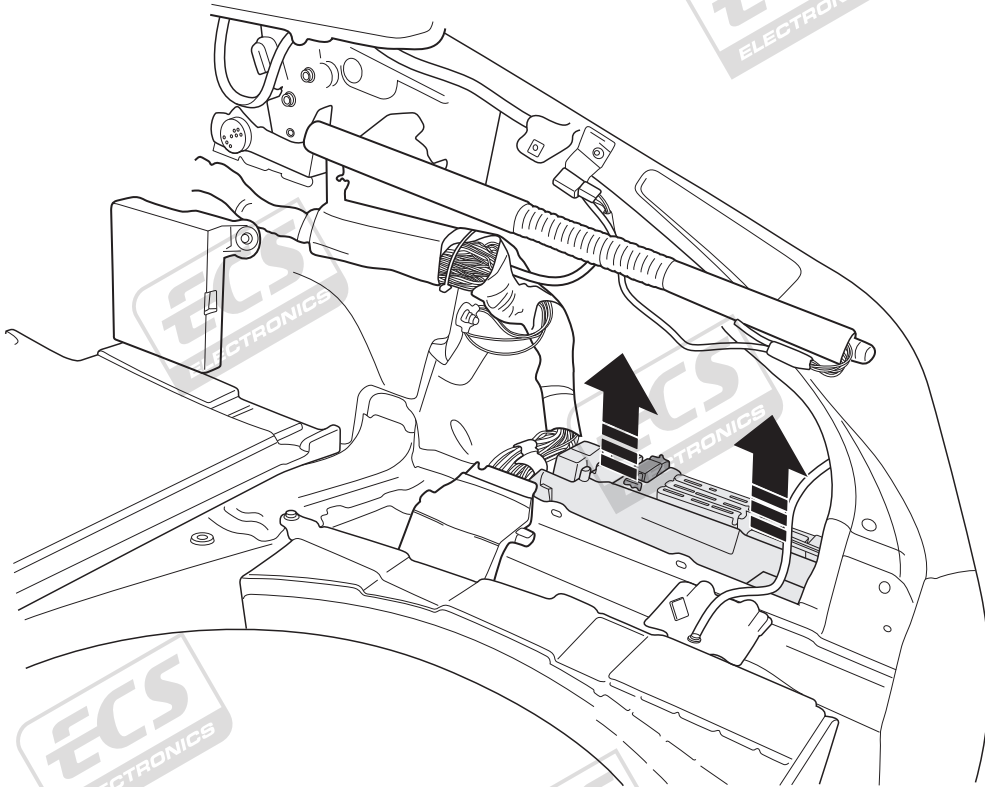
A6 Sedan / A6 Avant





## A7 Sportback

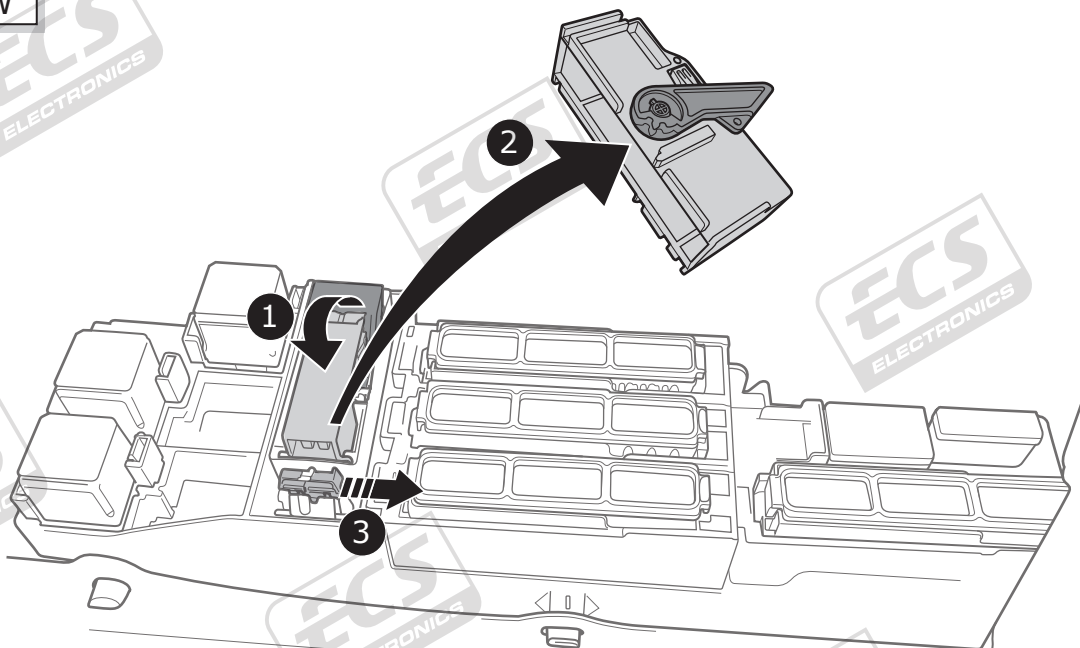
10



## A6 Sedan / A7 Sportback / A6 Avant

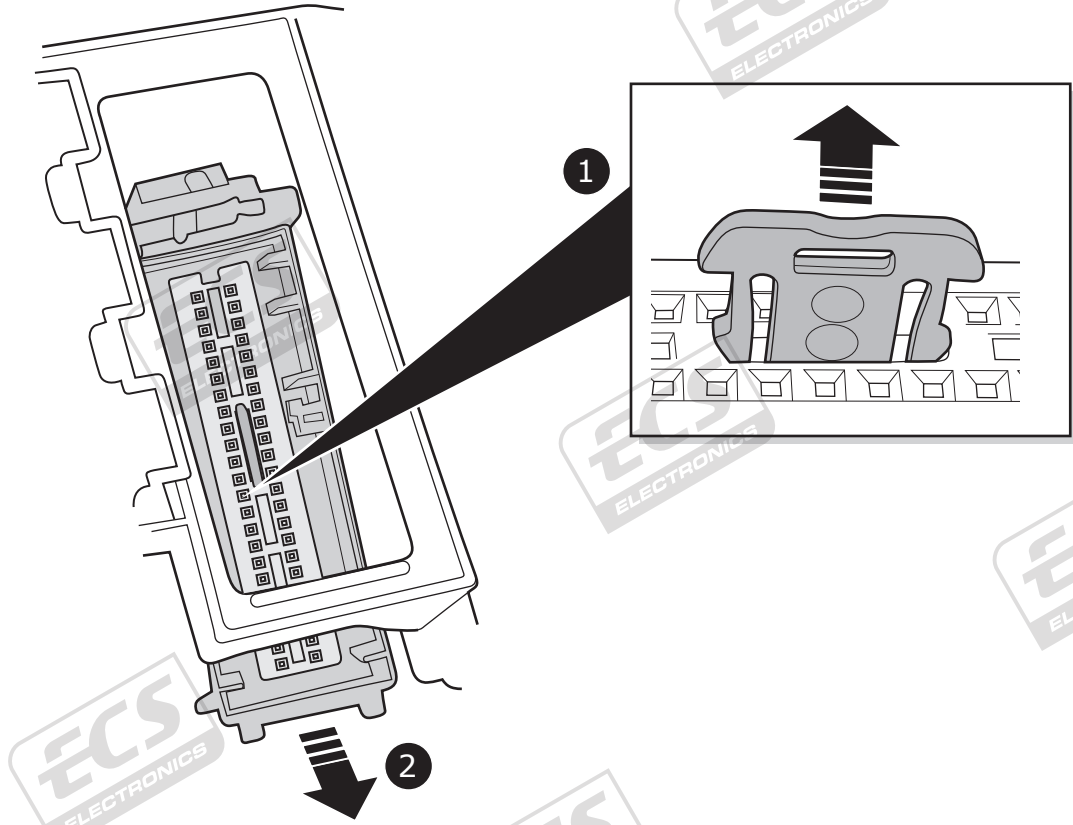
11

CAN HIGH  
CAN LOW



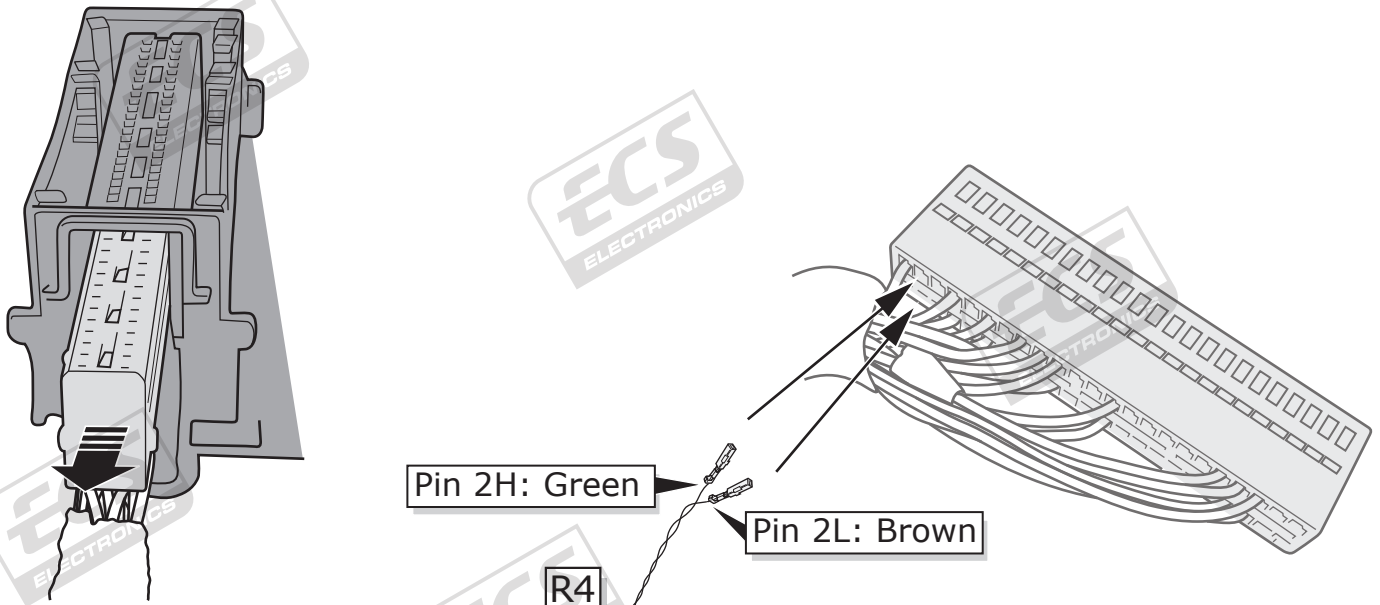
A6 Sedan / A7 Sportback / A6 Avant

12



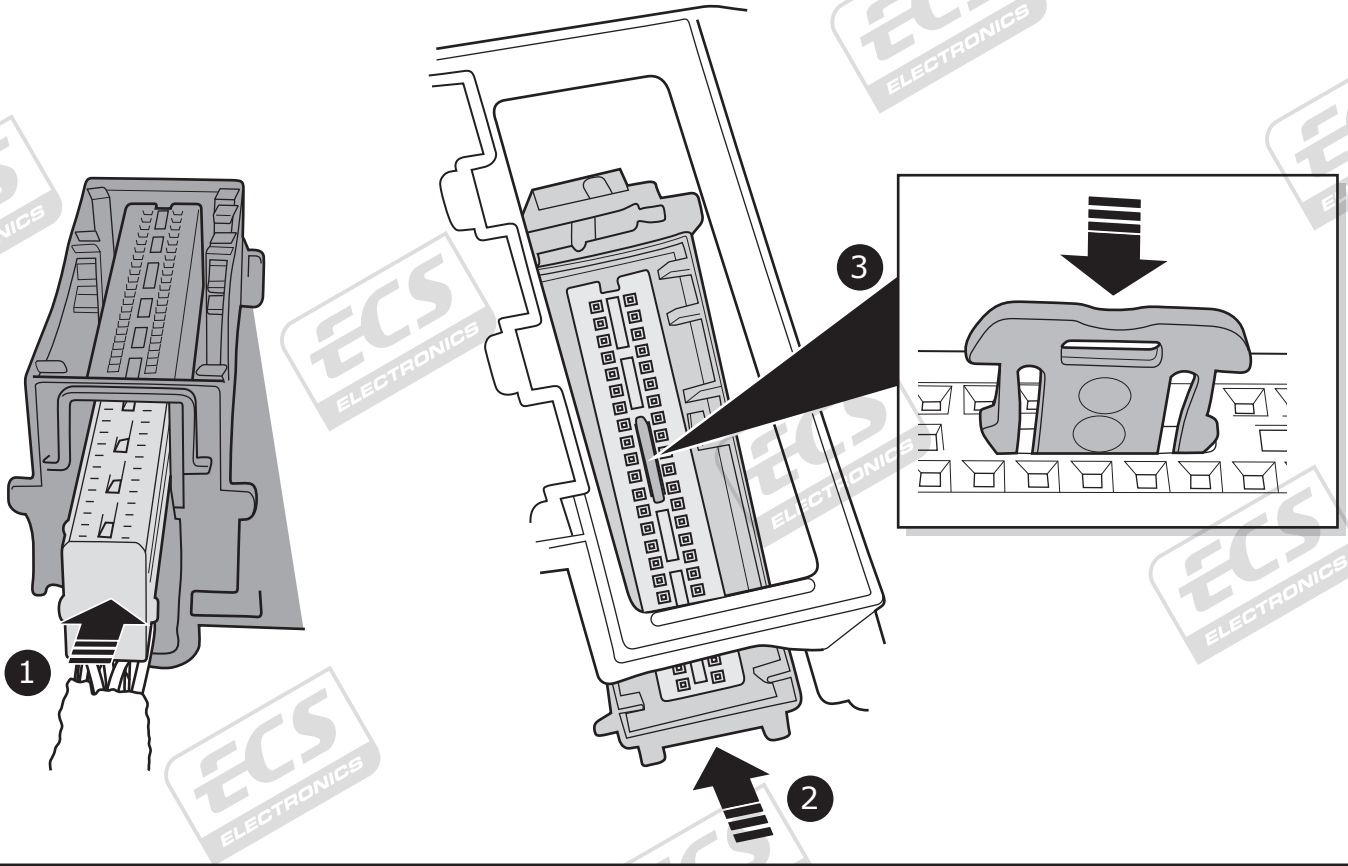
A6 Sedan / A7 Sportback / A6 Avant

13



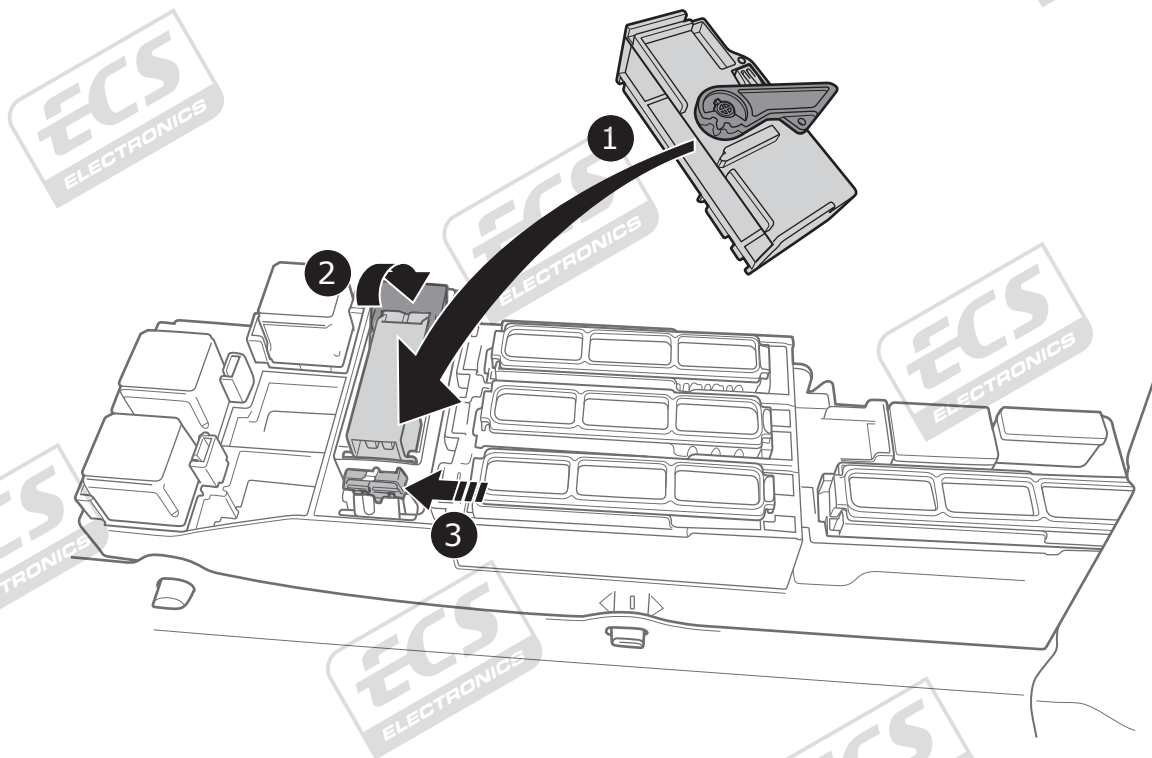
A6 Sedan / A7 Sportback / A6 Avant

14

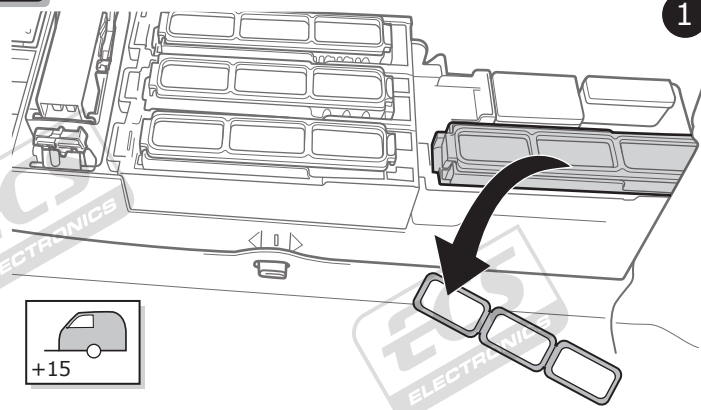


A6 Sedan / A7 Sportback / A6 Avant

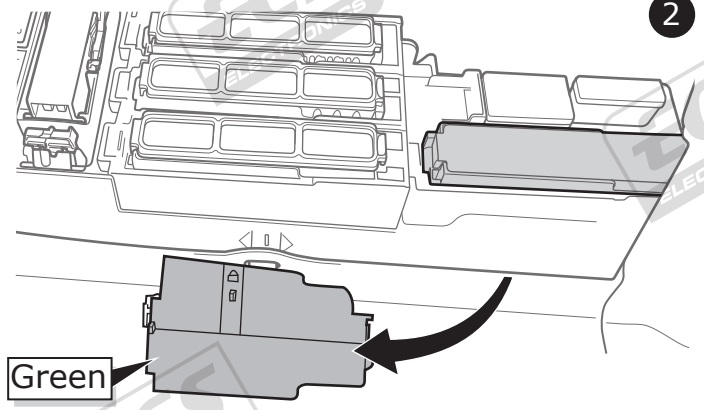
15



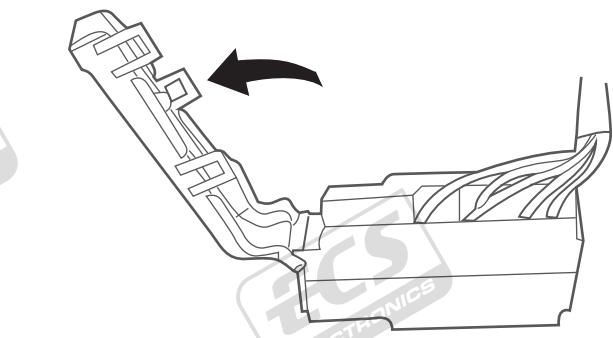
16



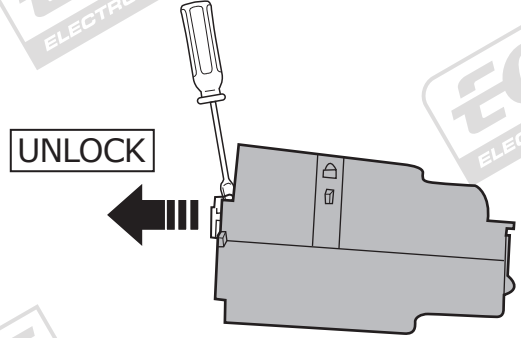
1



2

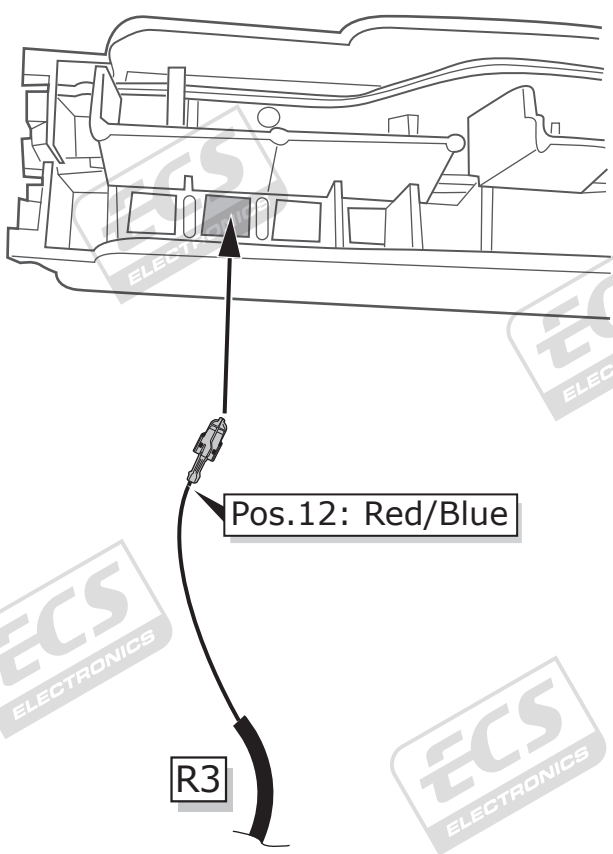


3

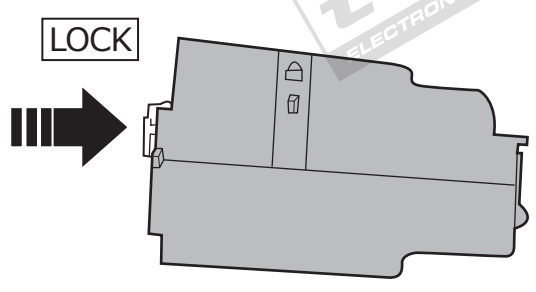


4

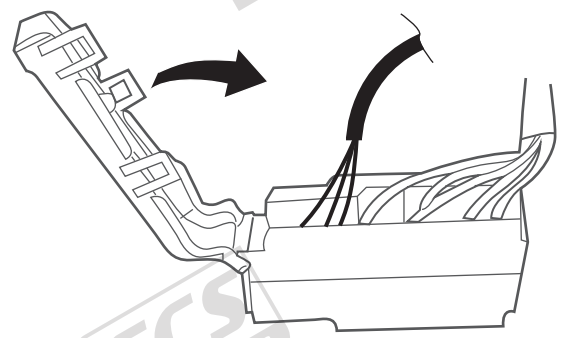
17



1



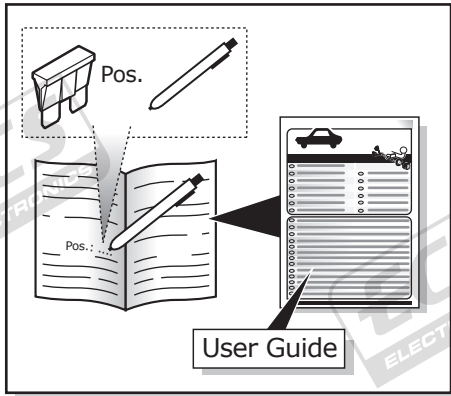
2



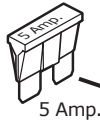
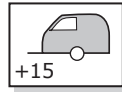
3

A6 Sedan / A7 Sportback / A6 Avant

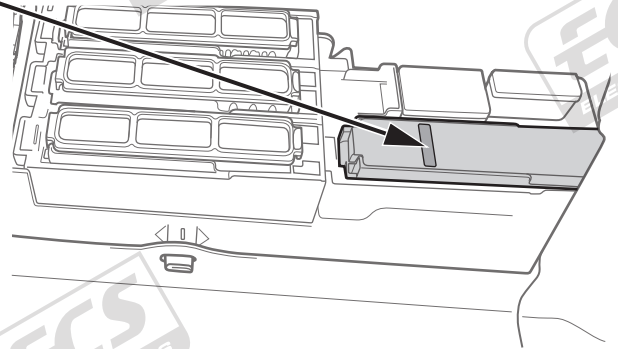
18



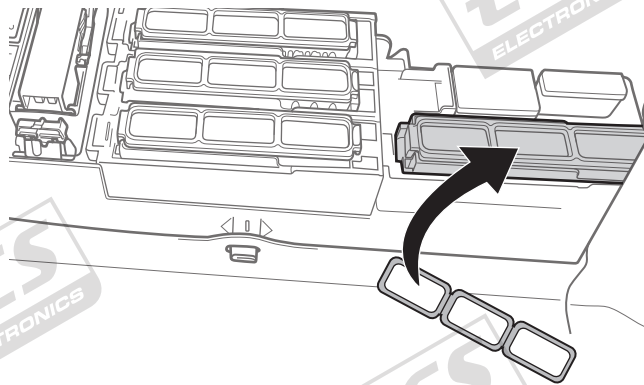
Pos. 12



1



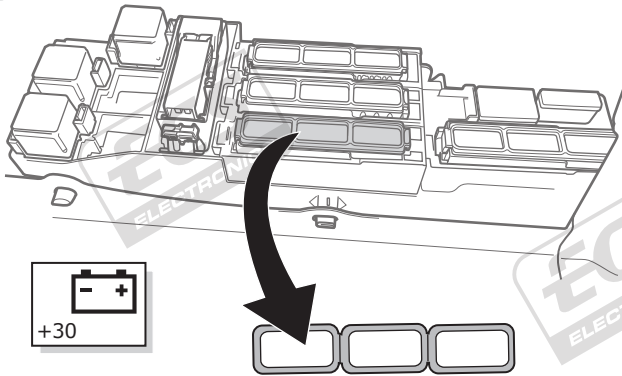
2



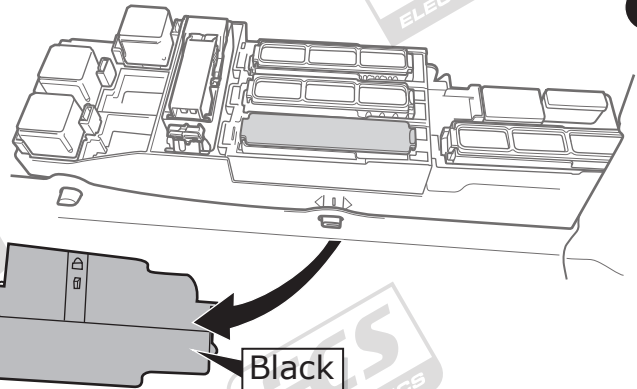
A6 Sedan / A7 Sportback / A6 Avant

19

1

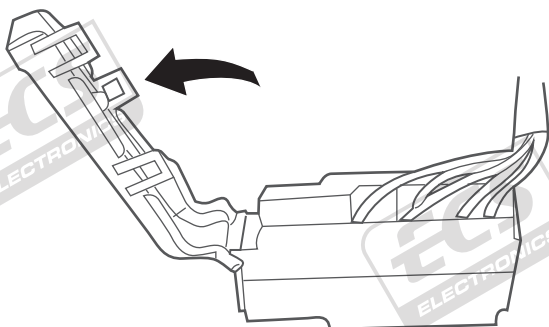


2

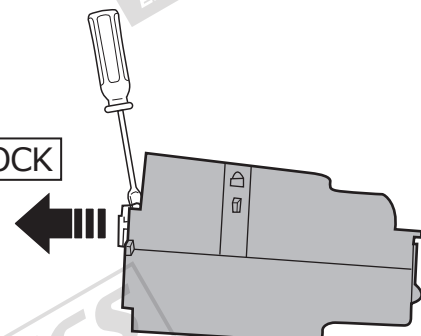


3

4



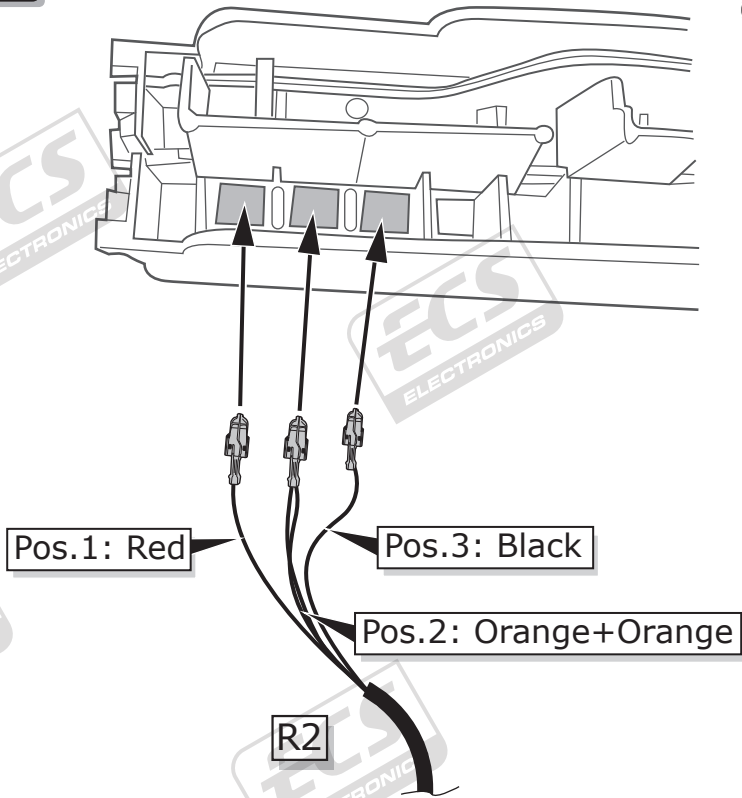
UNLOCK



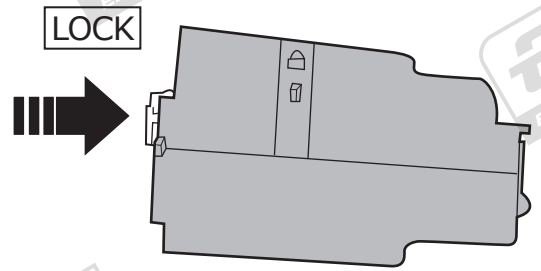


A6 Sedan / A7 Sportback / A6 Avant

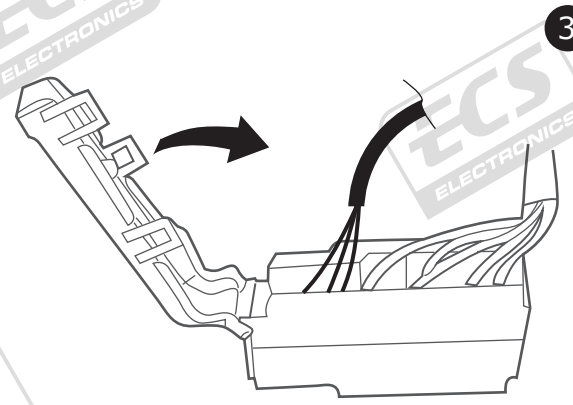
20



1

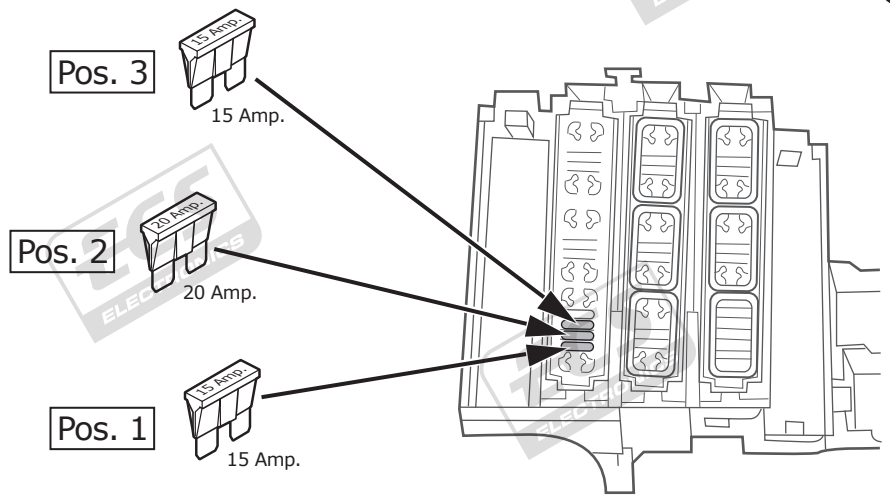
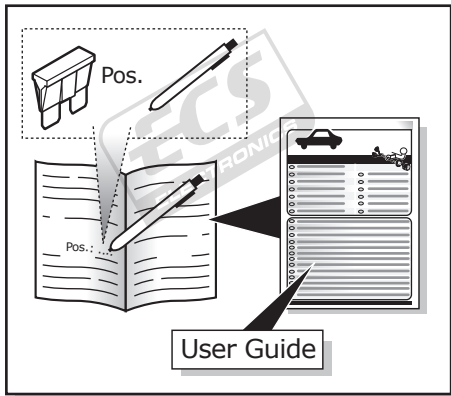


2

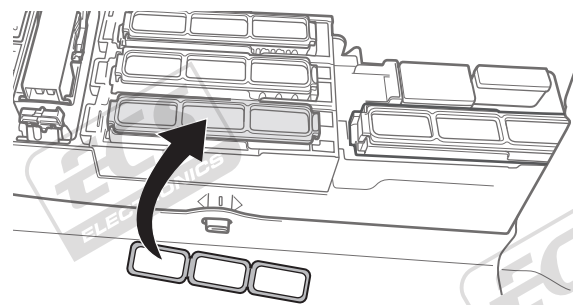


A6 Sedan / A7 Sportback / A6 Avant

21

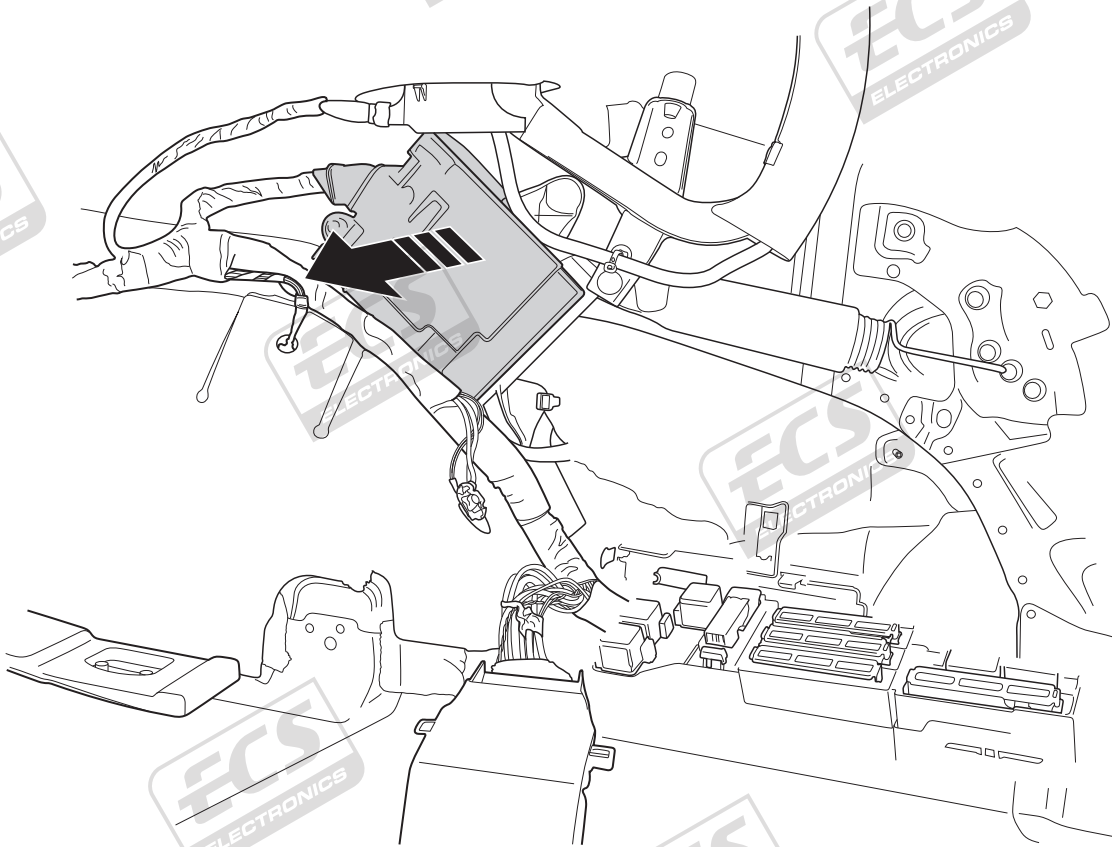


1



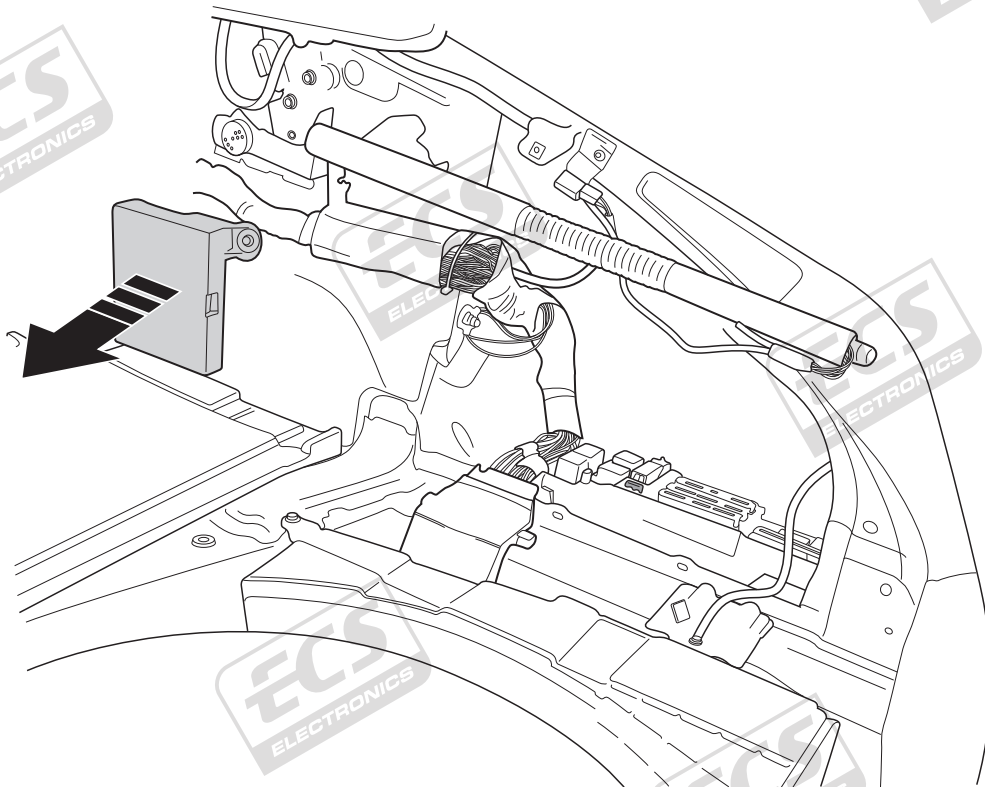
A6 Sedan / A6 Avant

22



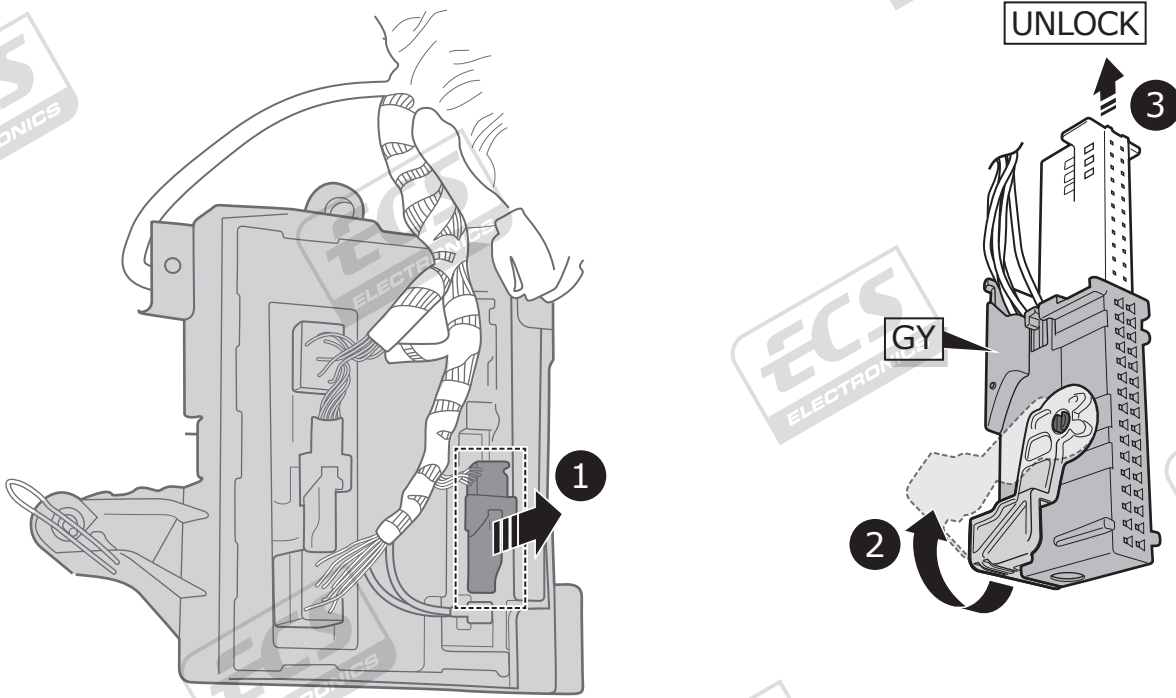
A7 Sportback

23



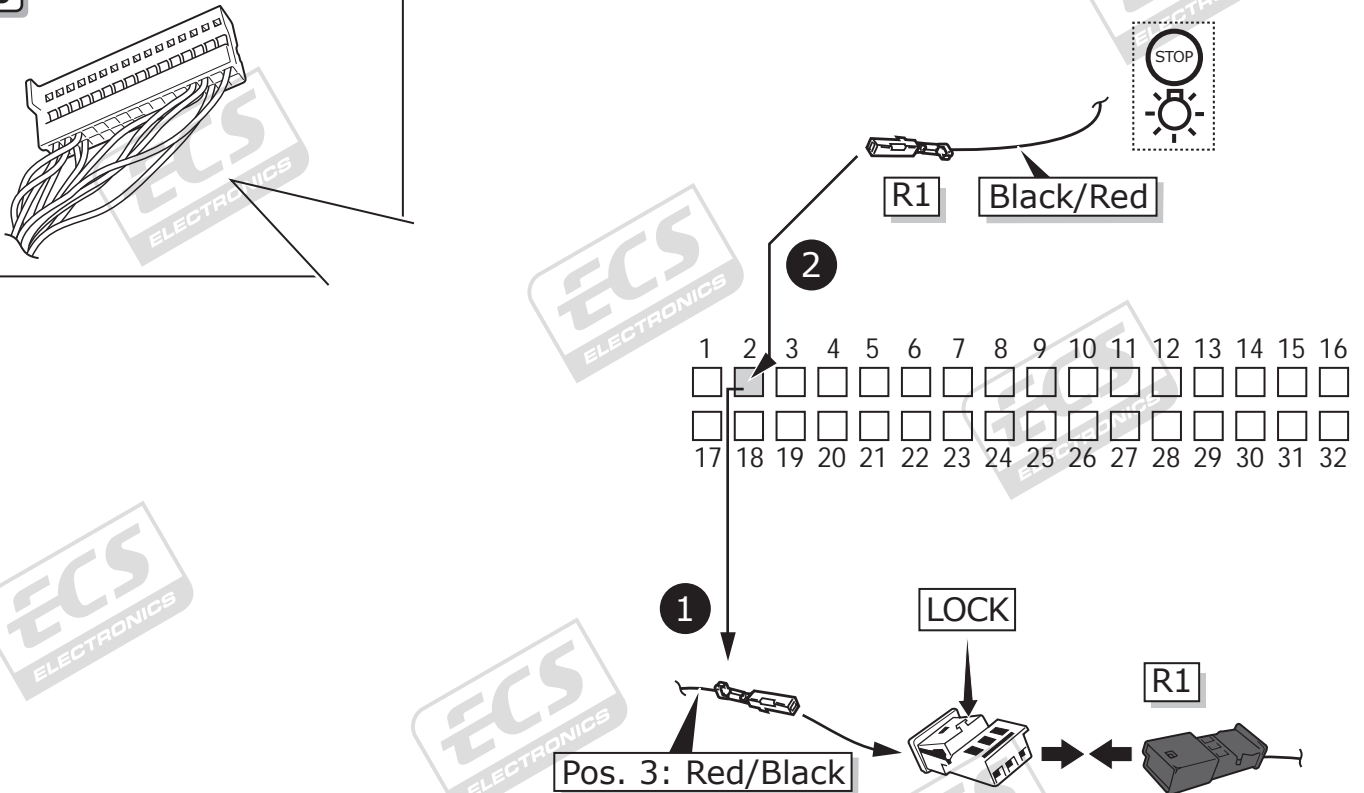
A6 Sedan / A7 Sportback / A6 Avant

24



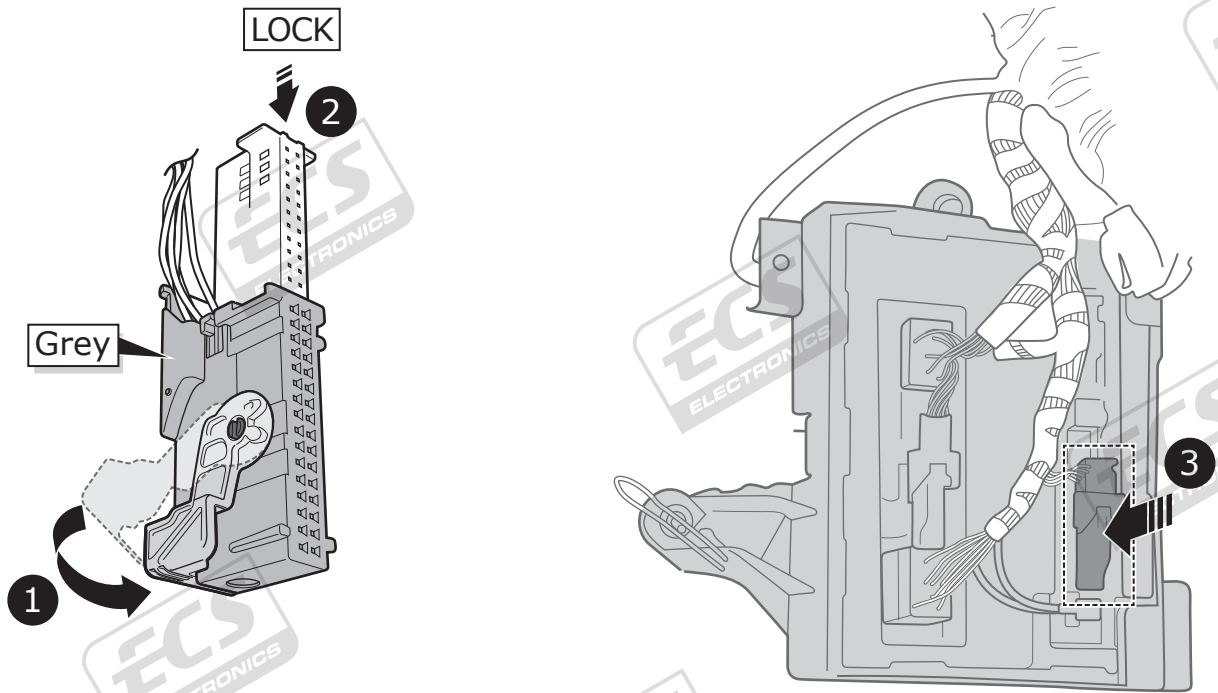
A6 Sedan / A7 Sportback / A6 Avant

25



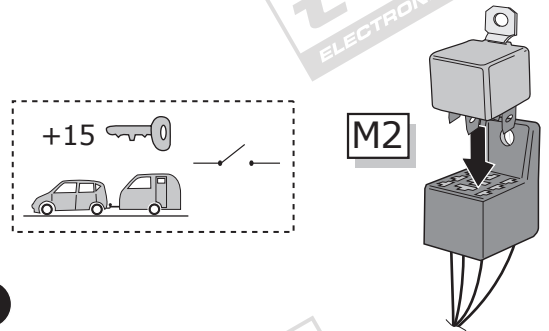
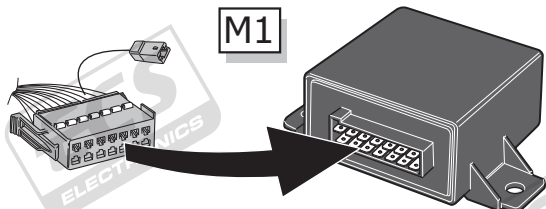
A6 Sedan / A6 Avant

26

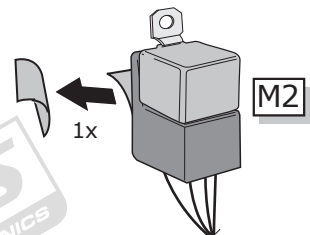
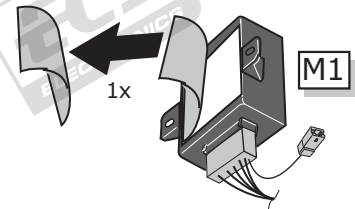
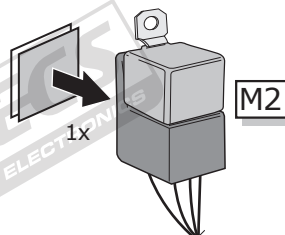
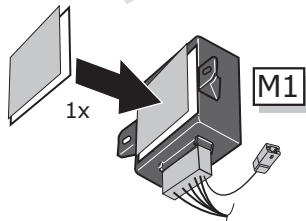
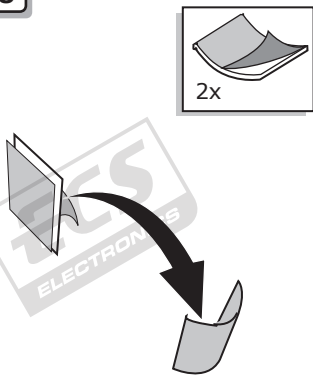


A6 Sedan / A7 Sportback / A6 Avant

27

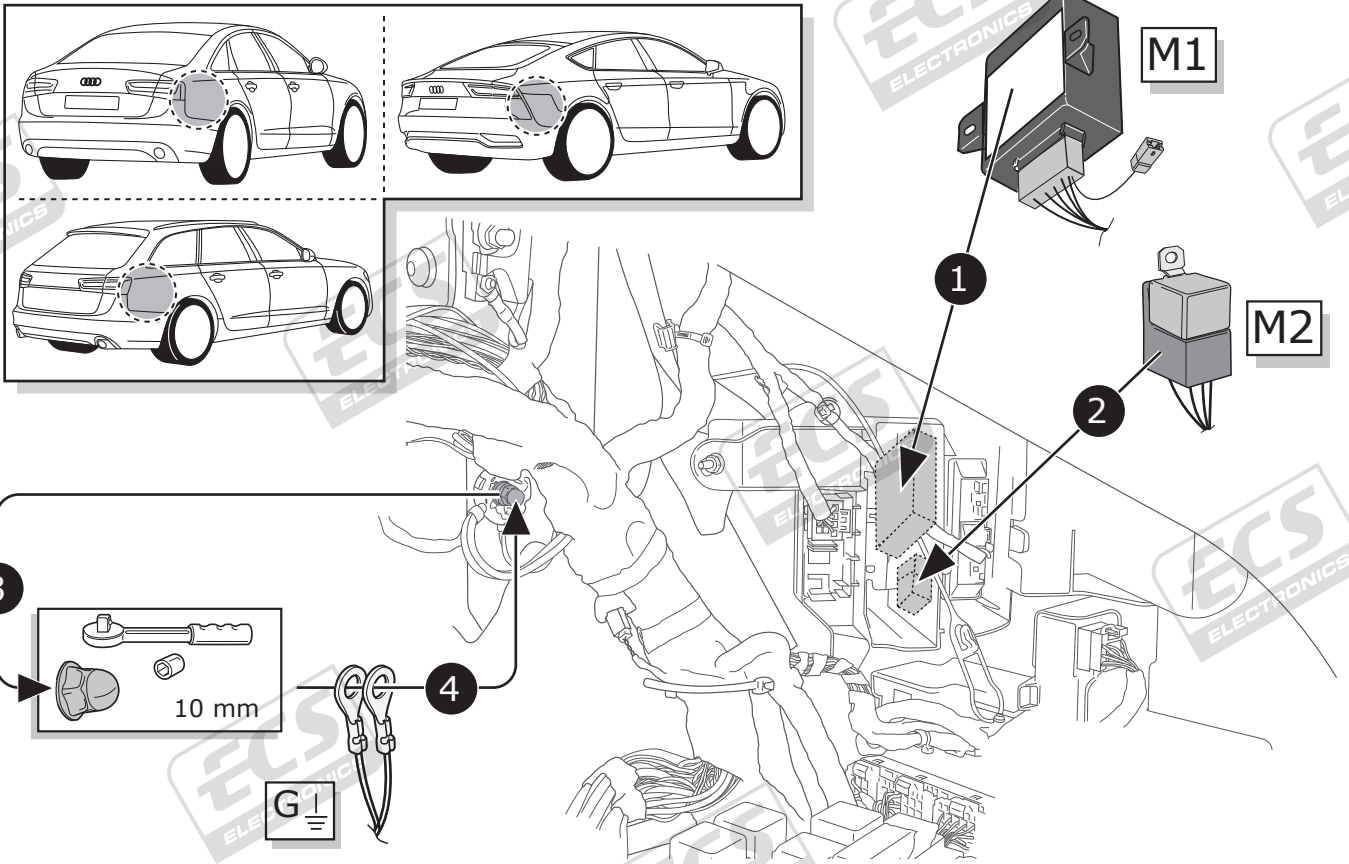


28



## A6 Sedan / A7 Sportback / A6 Avant

29



## All models

30

**!** TEST ALL THE CIRCUITS WITH A TEST DEVICE WITH THE CORRECT POWER LOAD FOR EACH FUNCTION. A TEST DEVICE WITH LED'S CANNOT BE USED FOR THIS PURPOSE.

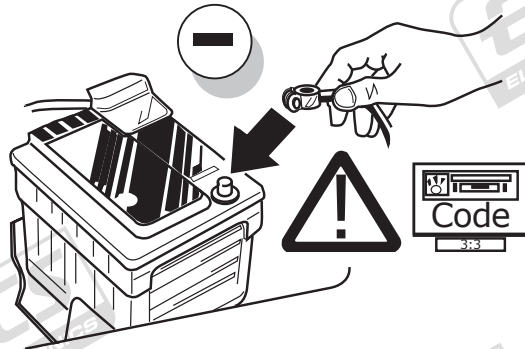
31

With a VAG Service tester with the help of SVM code '050200' the software of the vehicle must be adjusted to trailer coupling converted D12.



## All Models

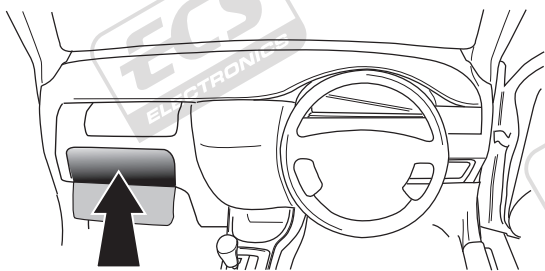
32



33

REINSTALL TRIM.

34



**User guide**



## INFO

### SOCKET CONNECTION

DIN/ISO 11446													
	1/L	2	3/31	4/R	5/58-R	6/54	7/58-L	8	9	10	11	12	13
Pmax	21W	21W		21W	42W	3x21W	42W	21W	180W/15Amp	180W/15Amp			
Colour	Black/White	Blue	Brown	Black/Green	Grey/Red	Black/Red	Grey/Black	Black	Red	Yellow	Brown	-	Brown