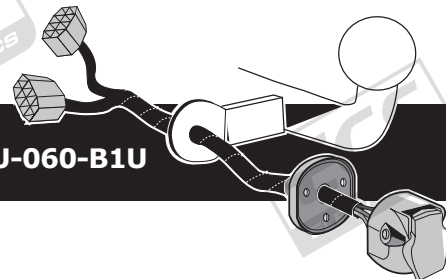


**Audi A6 Sedan 01/2015- (4G)**  
**Audi A7 Sportback 01/2015- (4G)**  
**Audi A6 Avant 01/2015- (4G5)**

Only for models without towbar preparation

Partnr.: AU-060-B1U



- Fitting instructions electric wiring kit tow bar with 12-N socket up to DIN/ISO Norm 1724.
- We would expressly point out that assembly not carried out properly by a competent installer will result in cancellation of any right to damage compensation, in particular those arising by virtue of the product liability act.
- Contents of these kits and their fitting manuals are subject to alteration without notice, please ensure that these instructions are read and fully understood before commencing installation.
- Do not overload circuits; the maximum loads per connection are detailed in this manual.
- Attention! Before Installation, please read this manual carefully and inform your customer to consult the vehicle owners manual to check for any vehicle modifications required before towing.
- In the event of functional problems, troubleshooting must be limited to about 0.5 hours, contact the technical support:  
[t.skinner@ecs-electronics.com](mailto:t.skinner@ecs-electronics.com) / 07440 202 052.

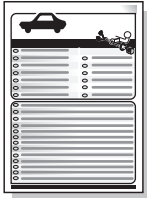
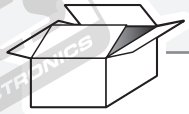
**TECHNICAL SUPPORT**

**CALL**  
**07440**  
**202**  
**052**

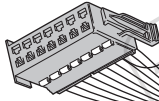
**ECS ELECTRONICS**

MONDAY TO FRIDAY  
08.00 - 11.00 am  
12.00 - 05.00 pm  
[t.skinner@ecs-electronics.com](mailto:t.skinner@ecs-electronics.com)  
[www.ecs-electronicsuk.co.uk](http://www.ecs-electronicsuk.co.uk)

# Part list



M



X

R1



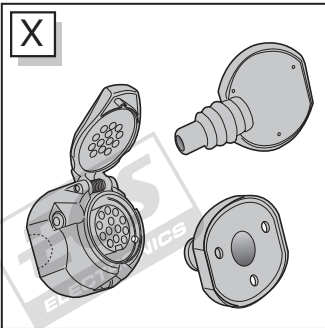
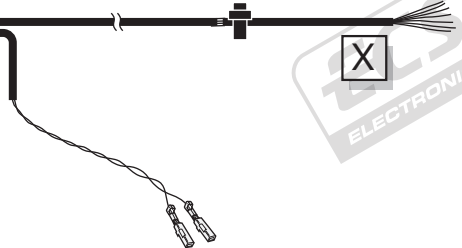
G



R2

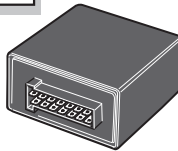


R3



X

M1



T



\* Reverse signal preparation



Pag. 18



3x



3x



1x

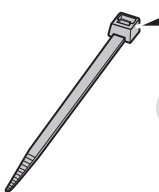


1x



20 Amp.

10x



1x

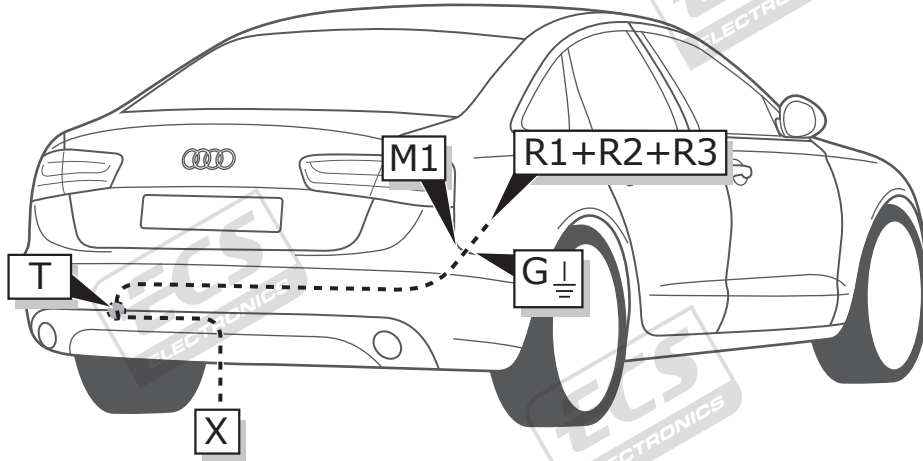


1x



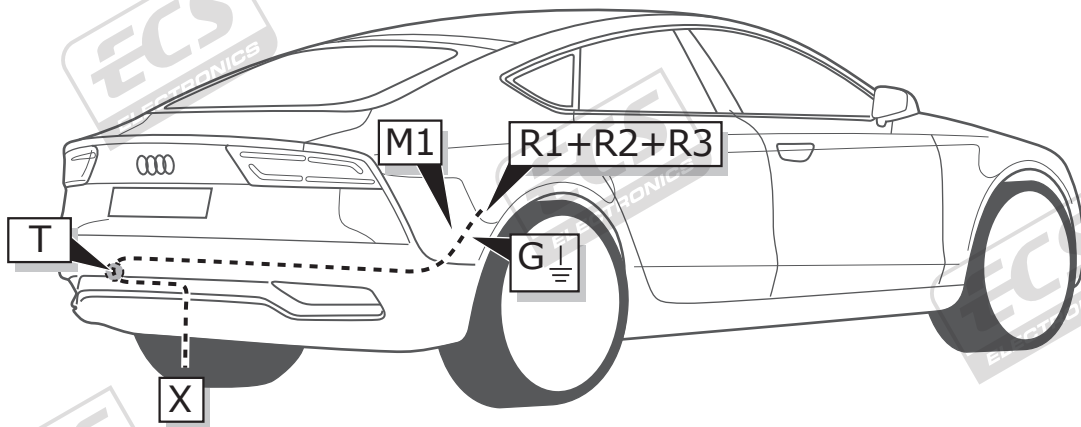
## Audi A6 Sedan

### ROUTING



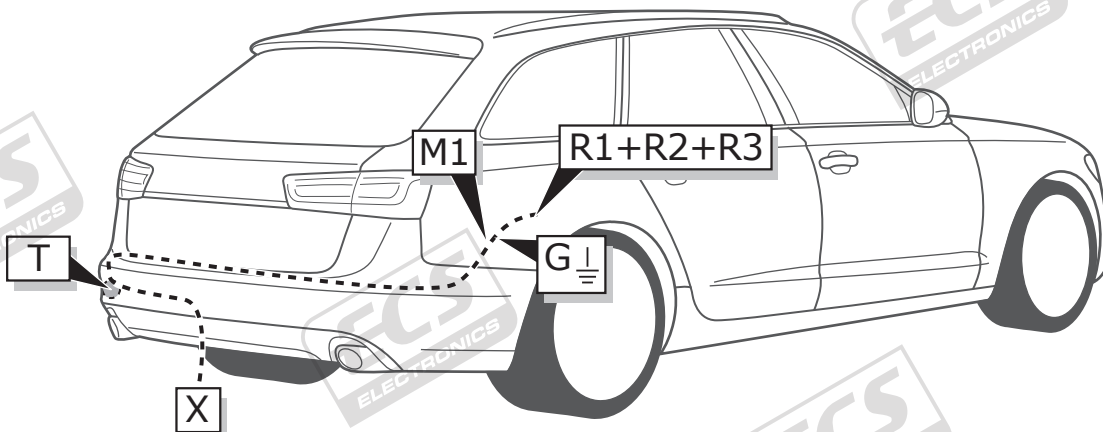
## Audi A7 Sportback

### ROUTING



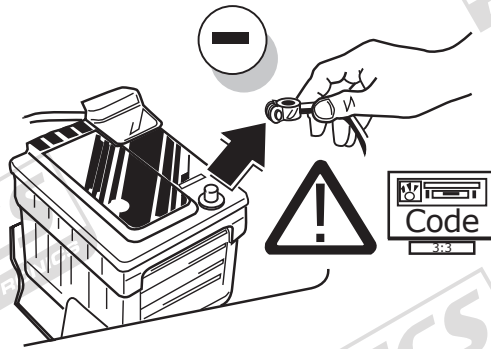
## Audi A6 Avant

### ROUTING



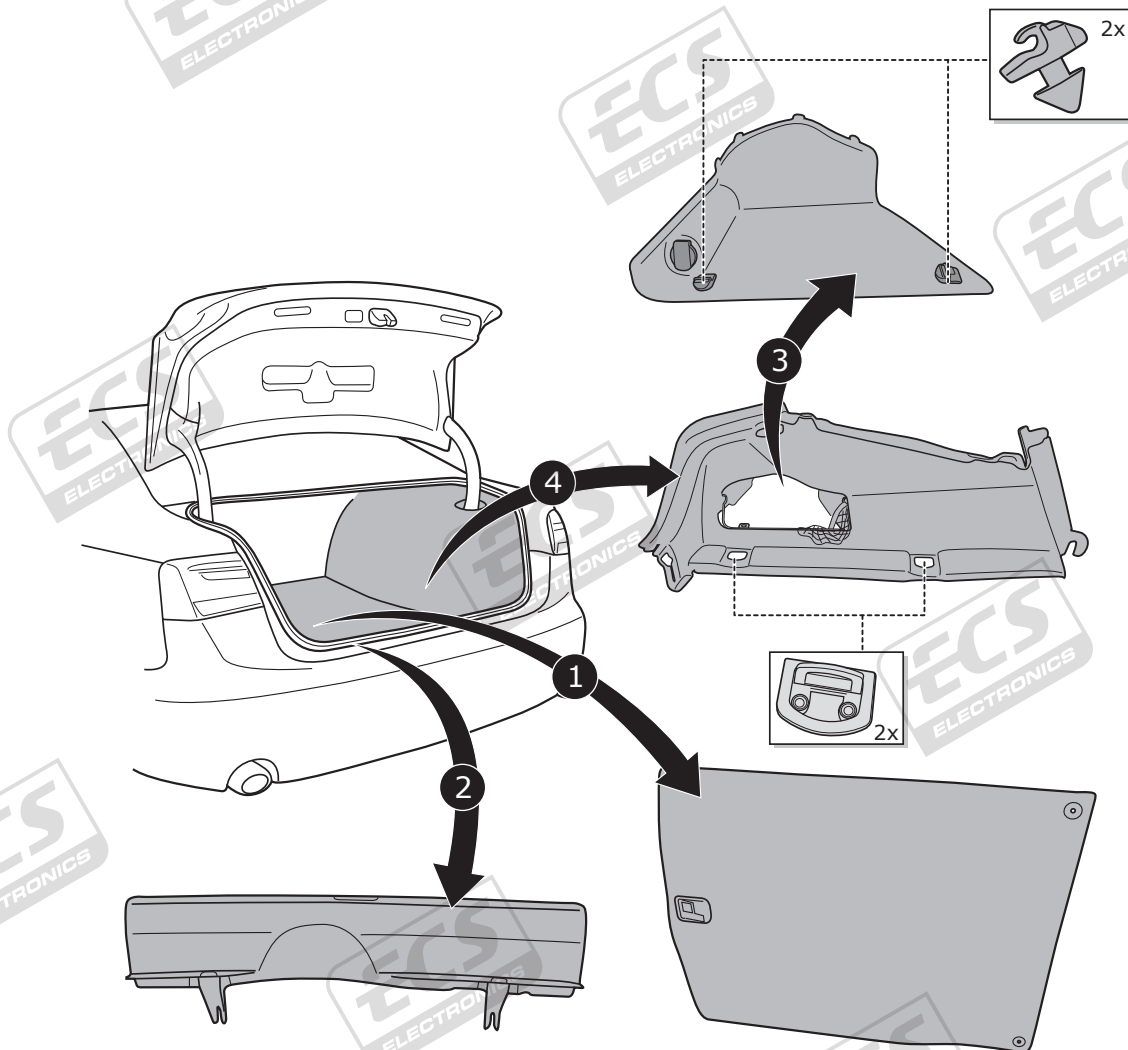
# All Models

1



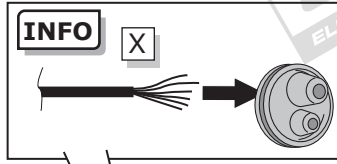
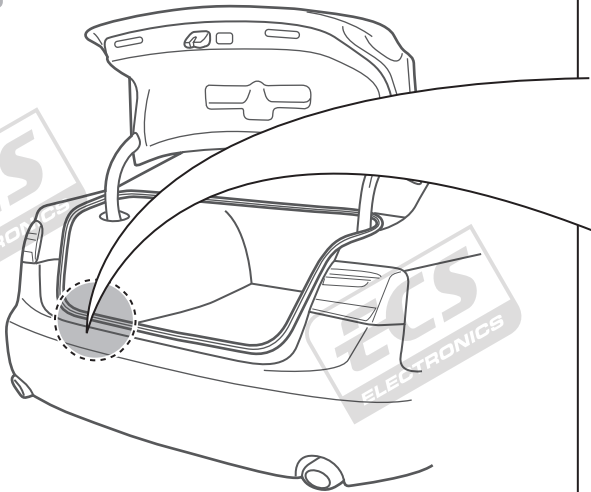
# A6 Sedan

2



# A6 Sedan

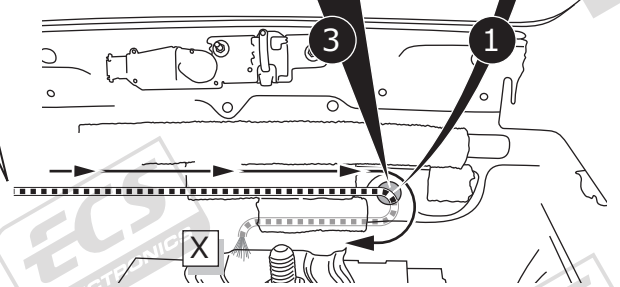
3



2

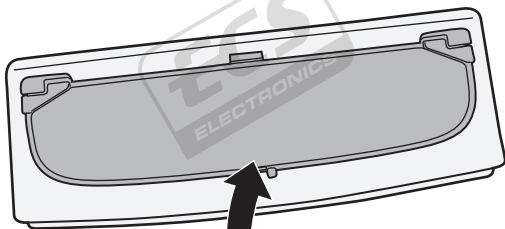
3

1

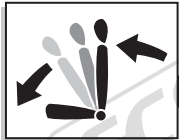


# A7 Sportback

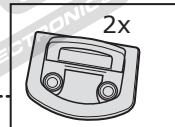
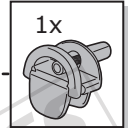
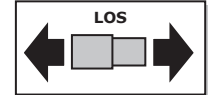
4



1

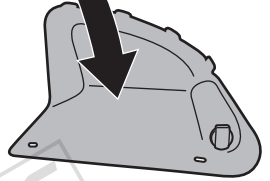


2



7

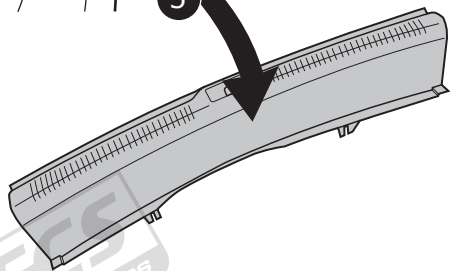
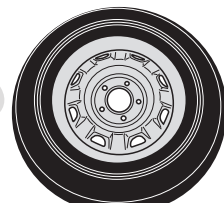
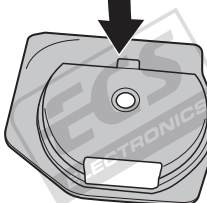
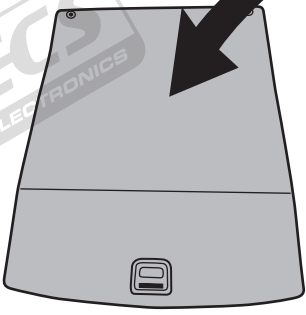
6



3

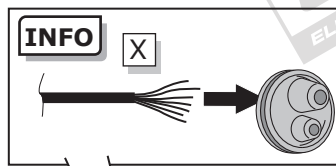
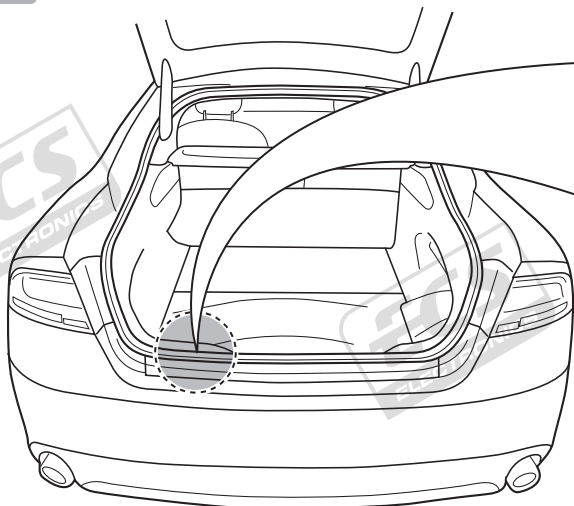
4

5



## A7 Sportback

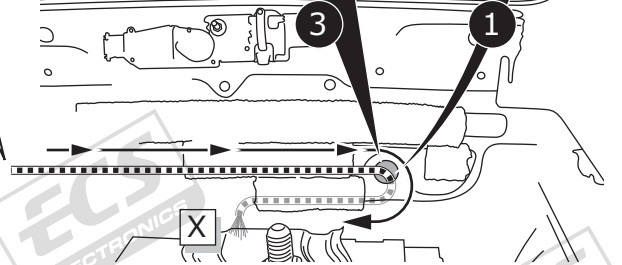
5



2

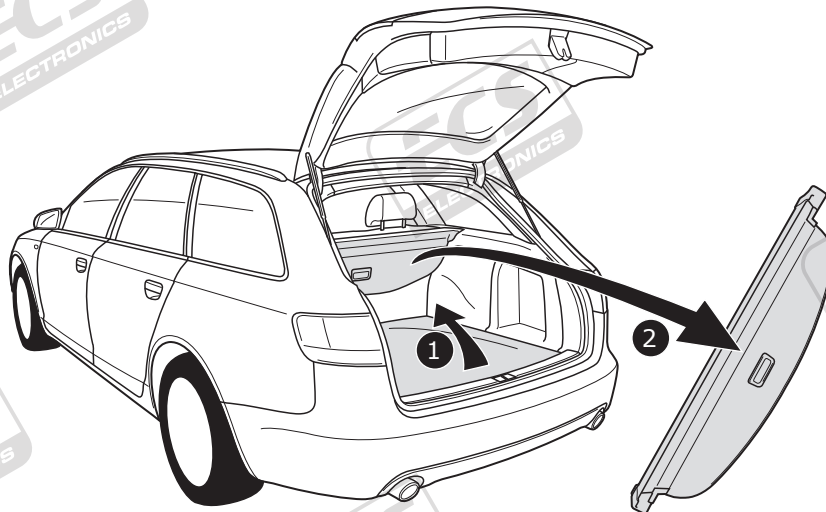
3

1

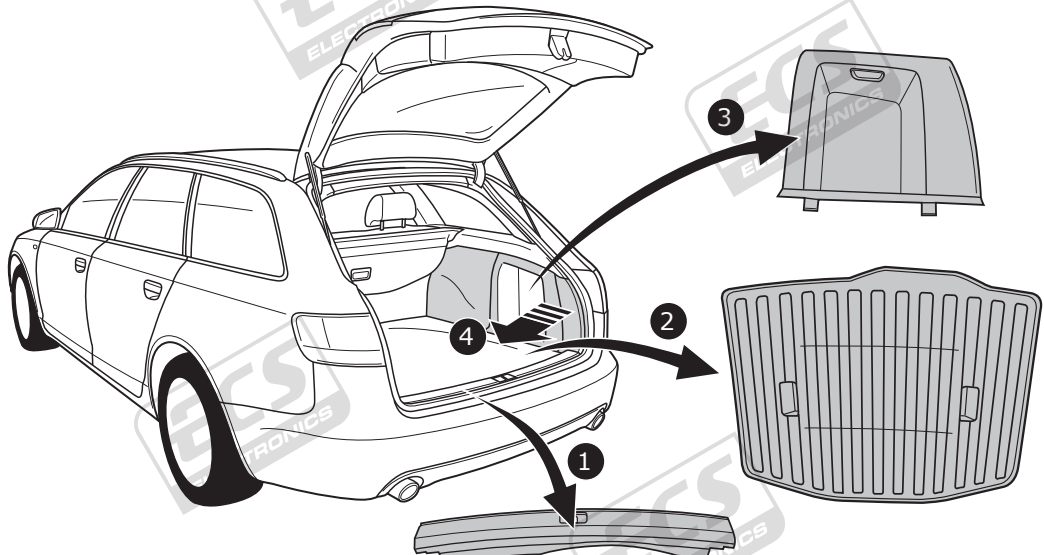


## A6 Avant

6

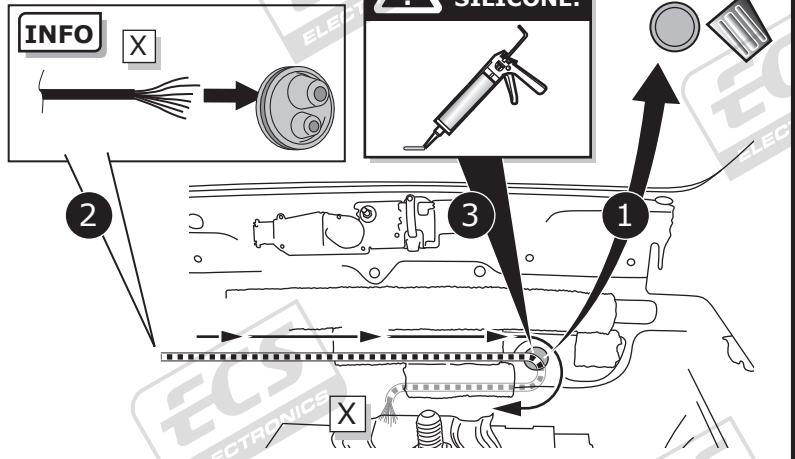
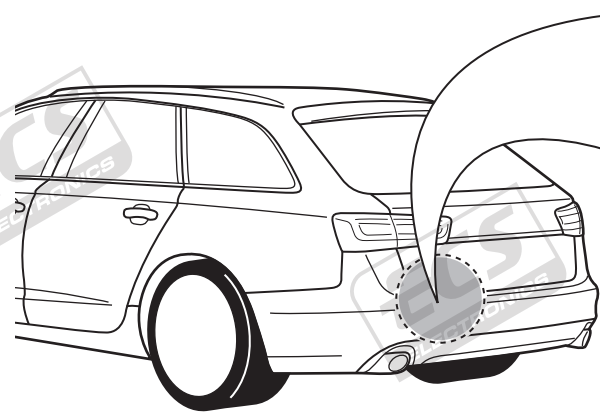


7



# A6 Avant

8

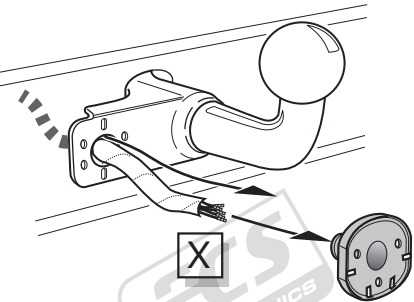


**SEAL WITH SILICONE.**

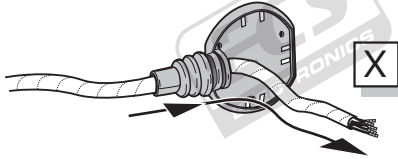
# A6 Sedan / A7 Sportback / A6 Avant

A

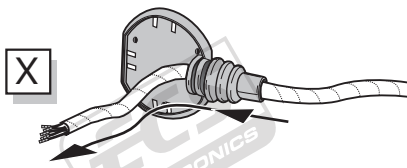
Option 1



Option 2



Option 3



INFO

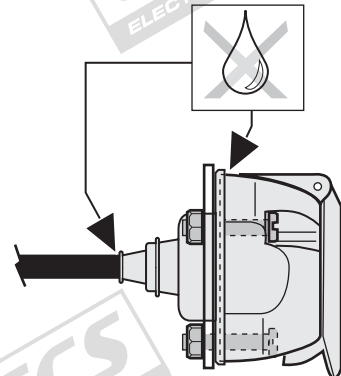
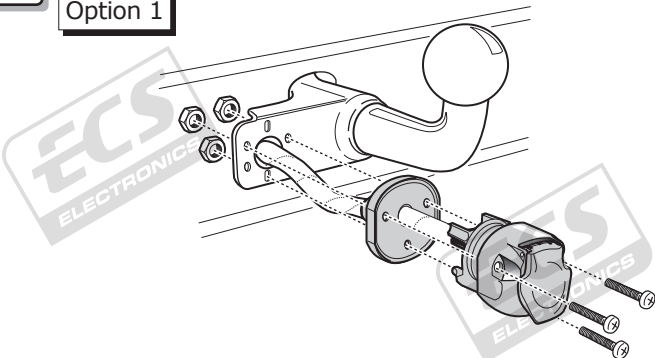
SOCKET CONNECTION



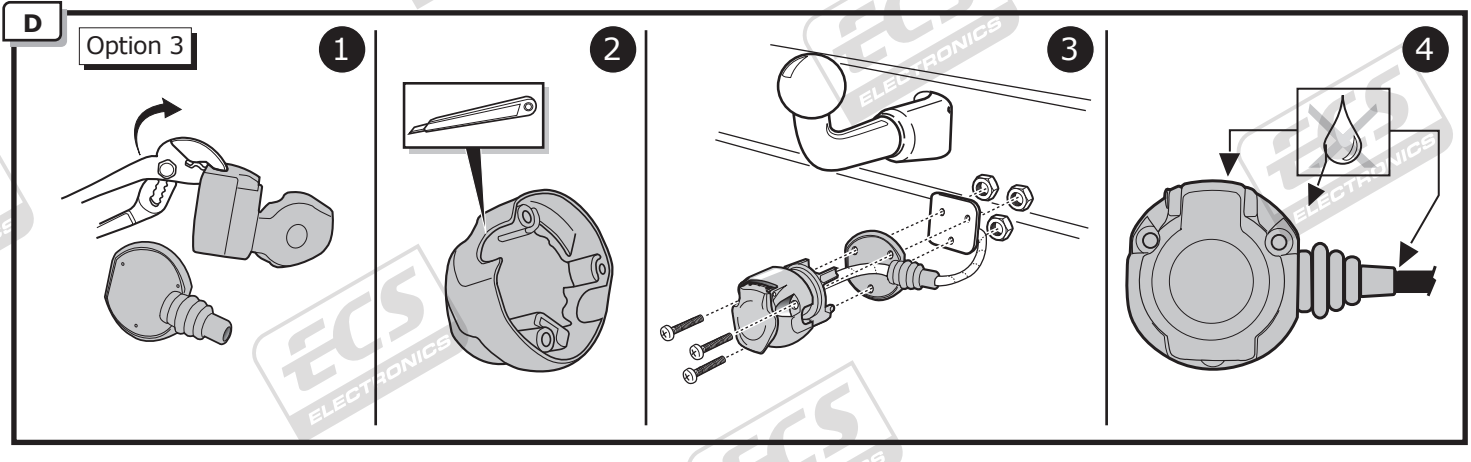
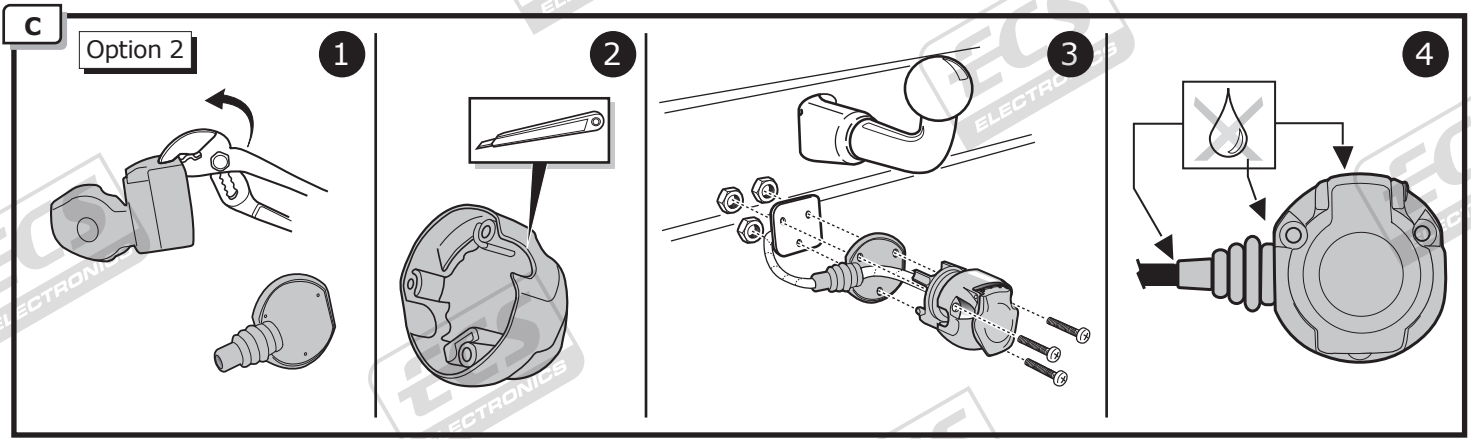
Pag. 18

B

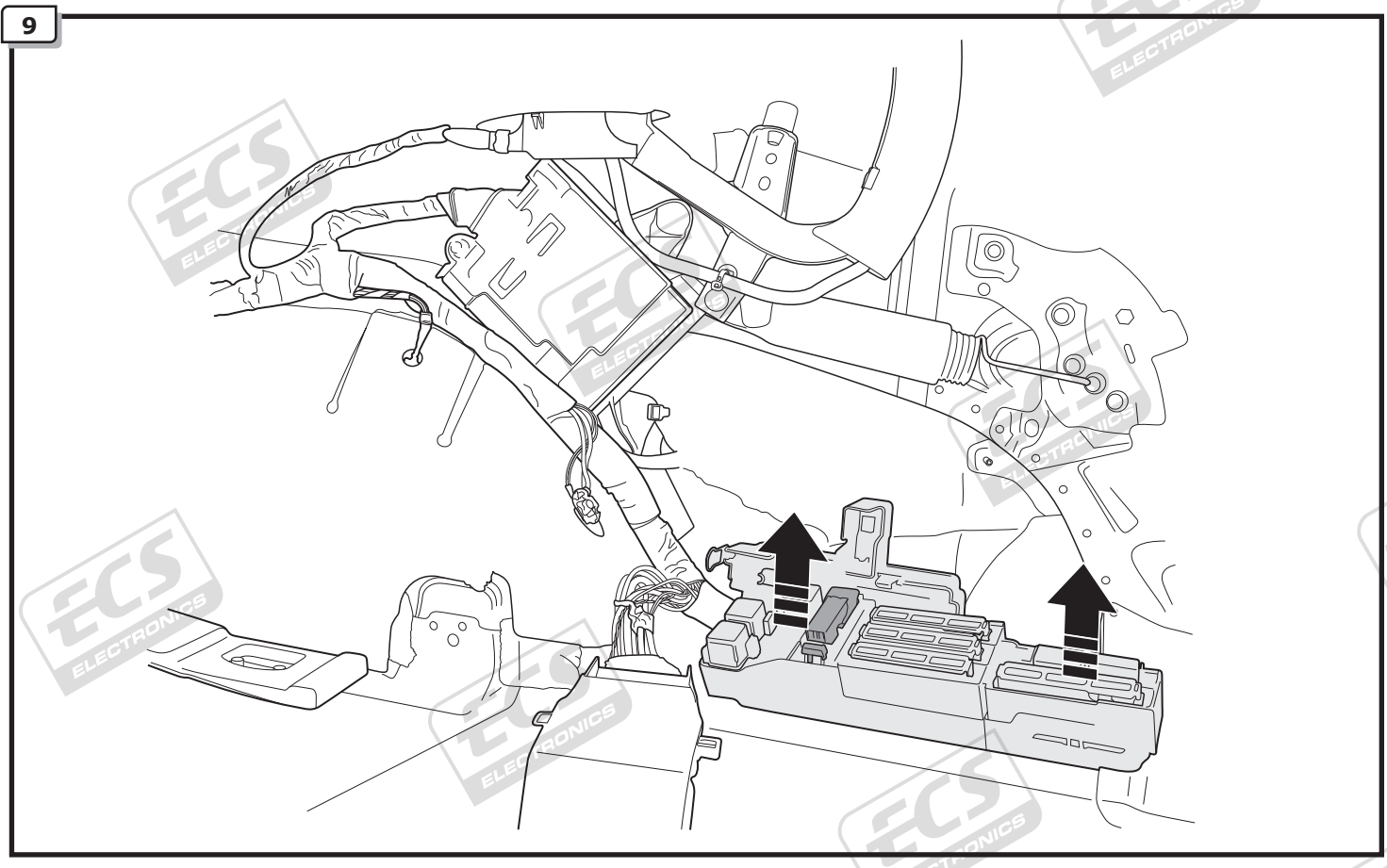
Option 1



A6 Sedan / A7 Sportback / A6 Avant



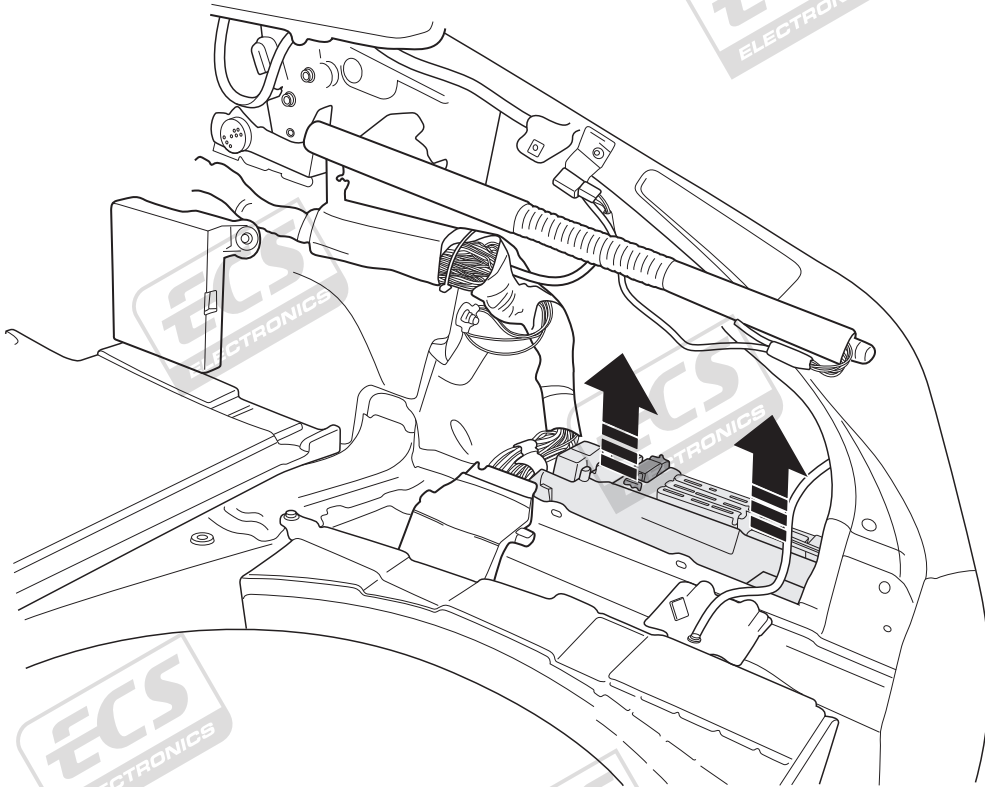
A6 Sedan / A6 Avant





## A7 Sportback

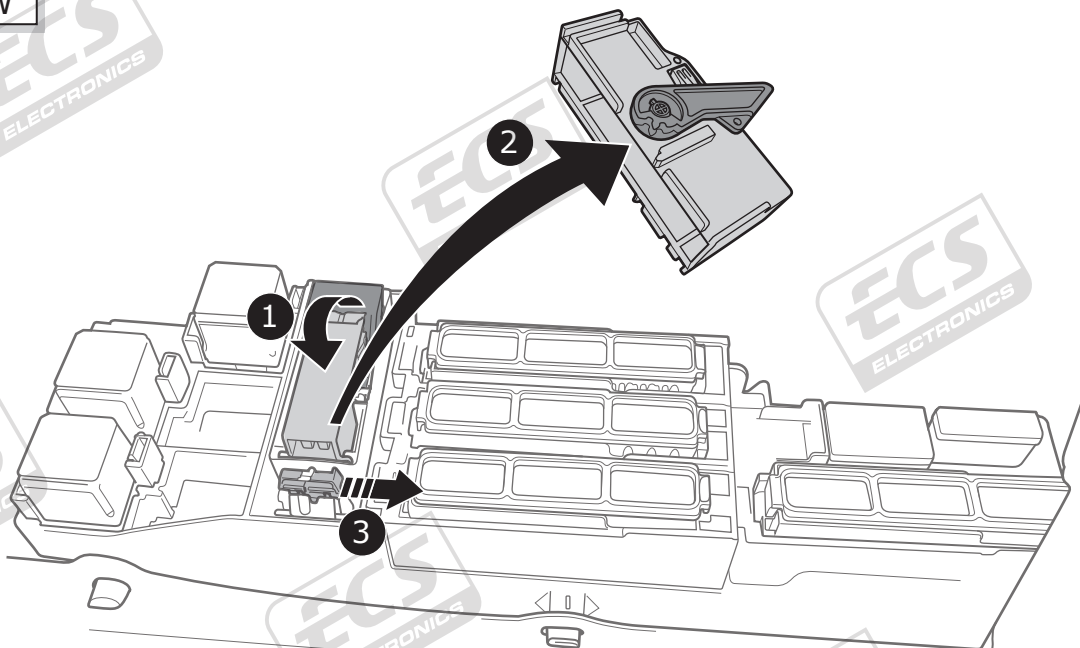
10



## A6 Sedan / A7 Sportback / A6 Avant

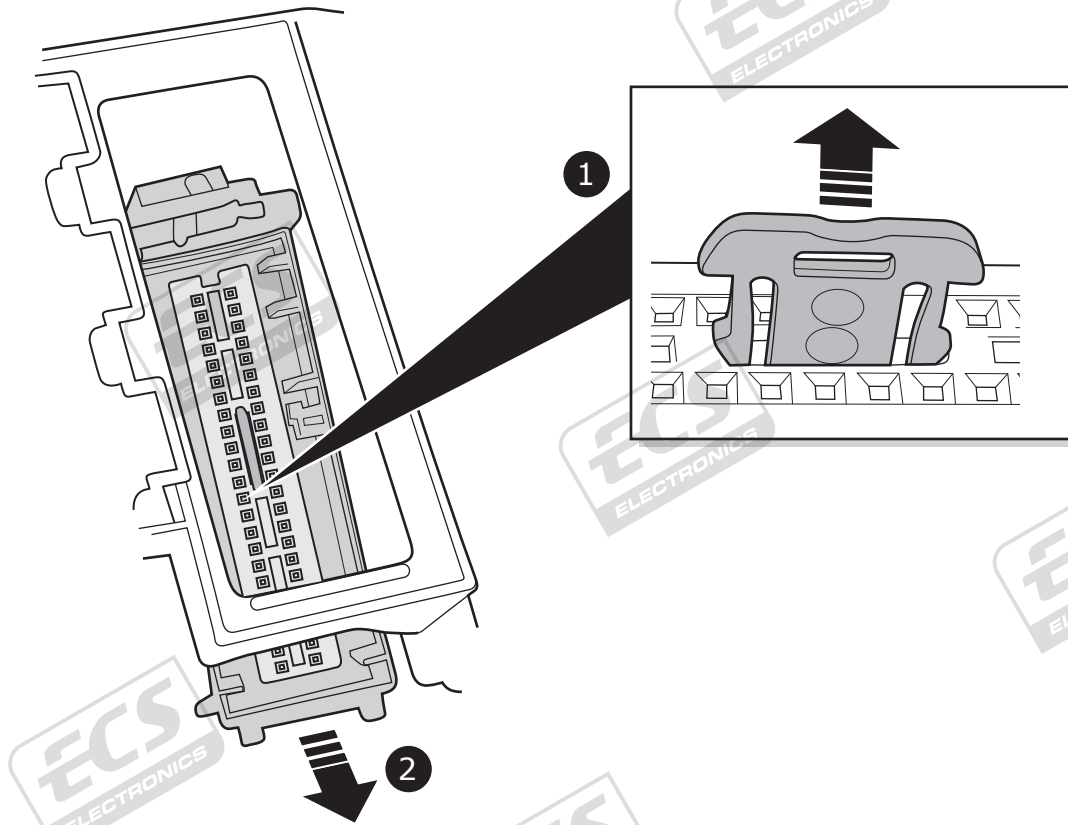
11

CAN HIGH  
CAN LOW



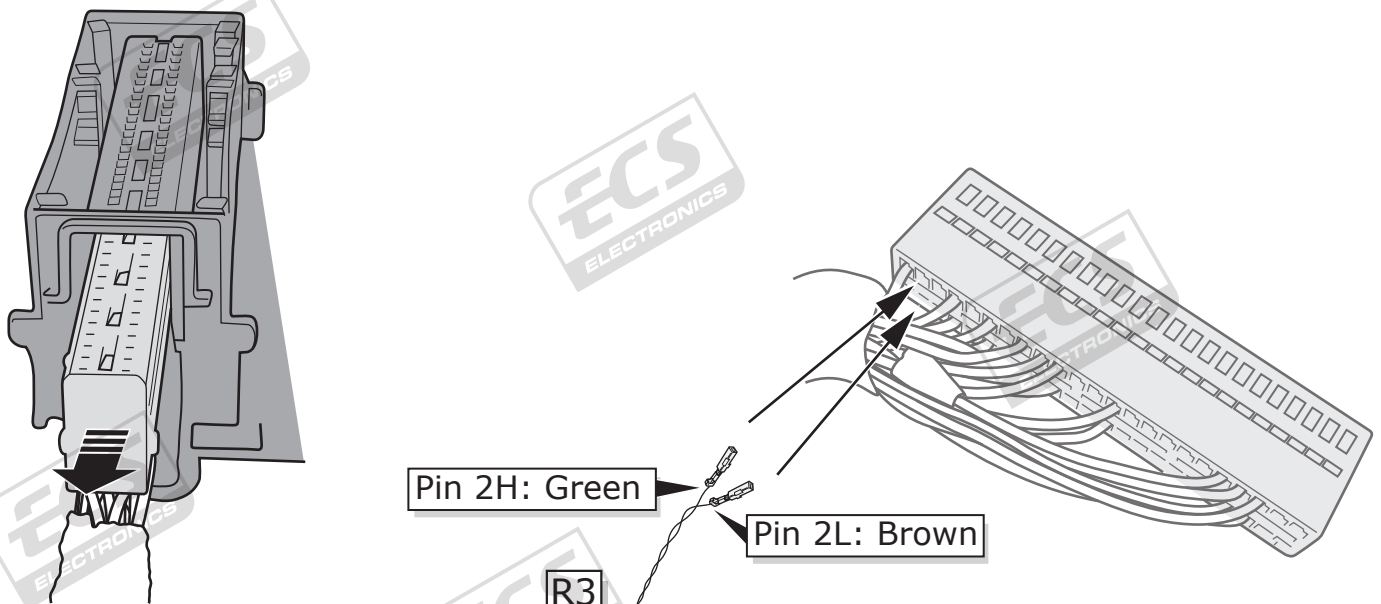
A6 Sedan / A7 Sportback / A6 Avant

12



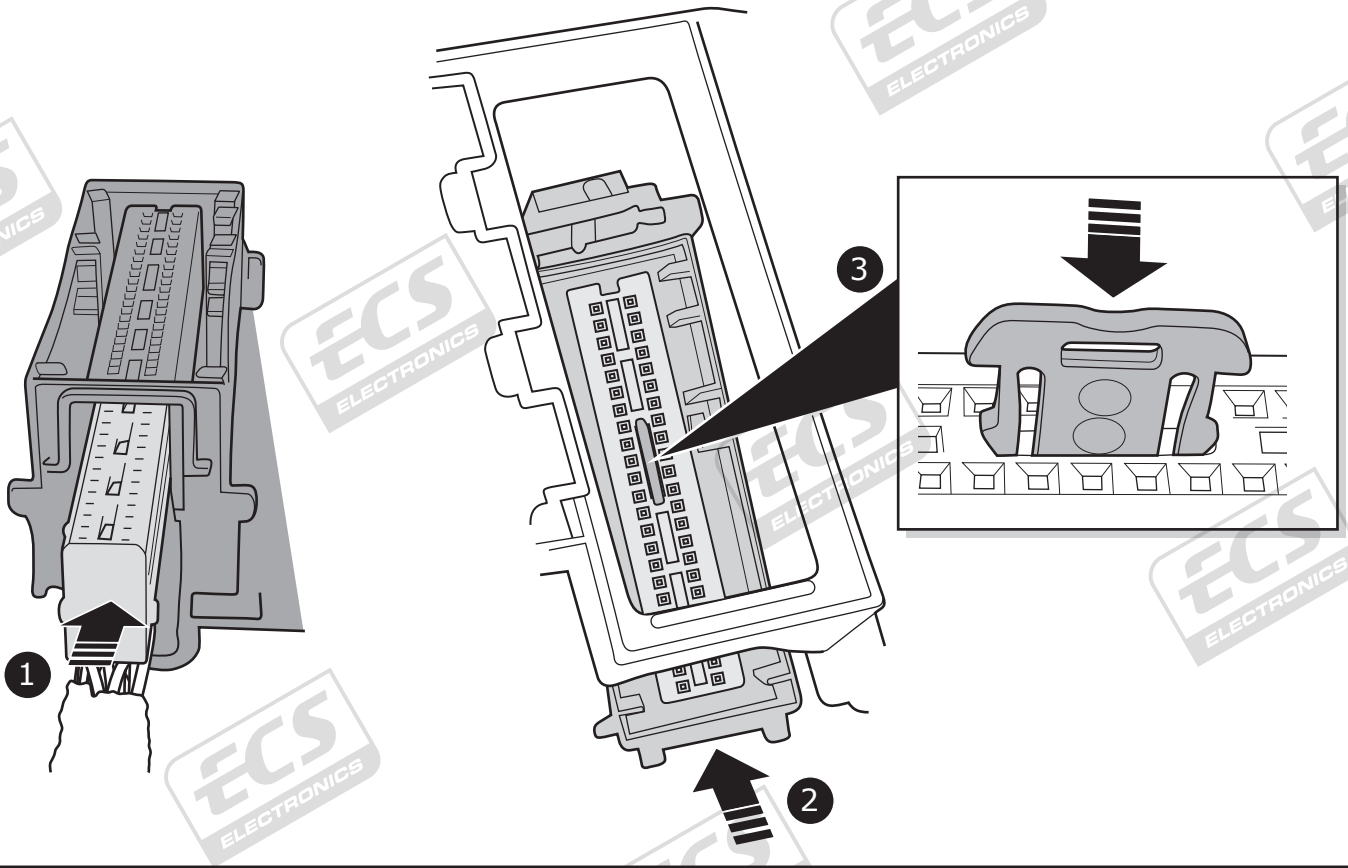
A6 Sedan / A7 Sportback / A6 Avant

13



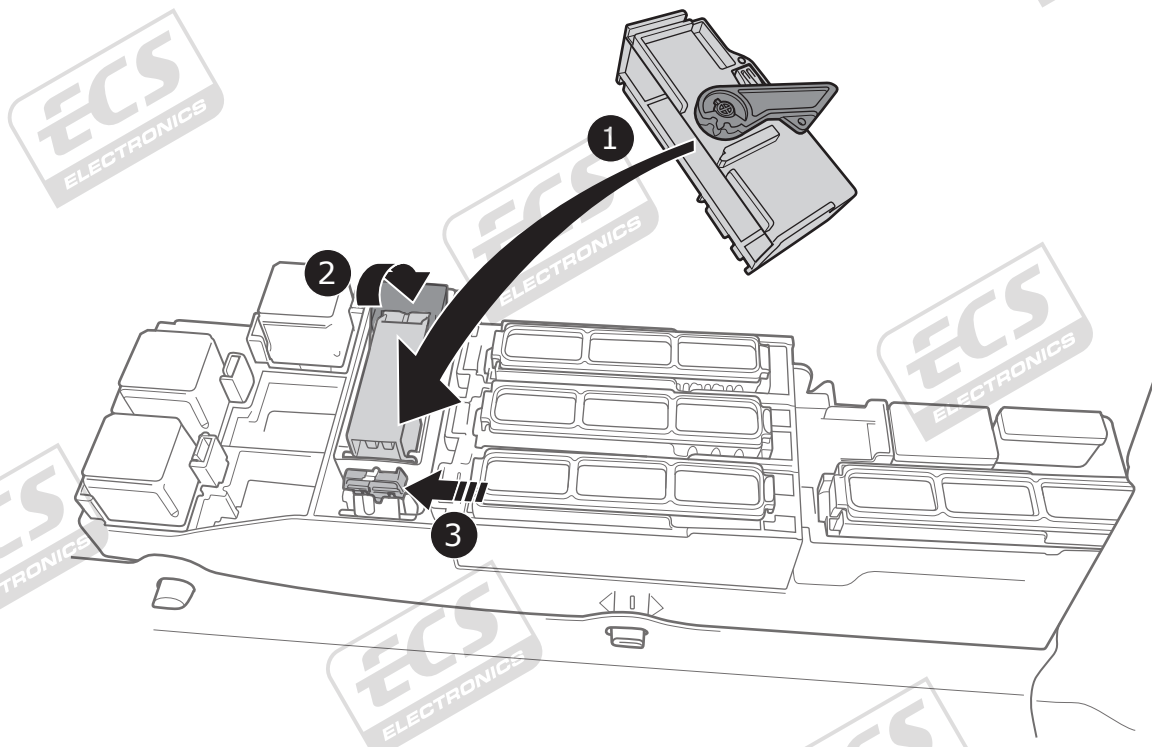
A6 Sedan / A7 Sportback / A6 Avant

14

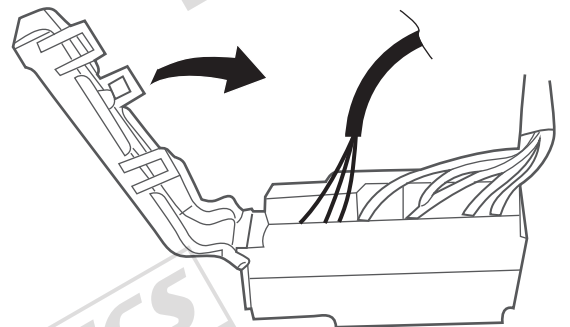
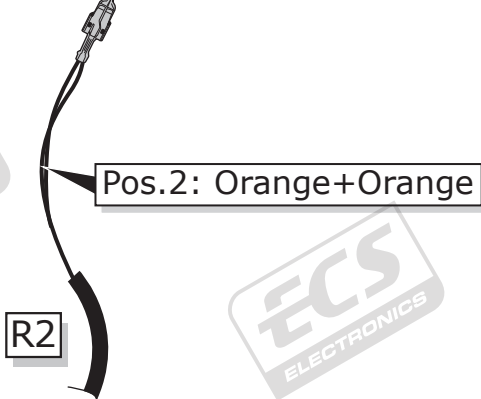
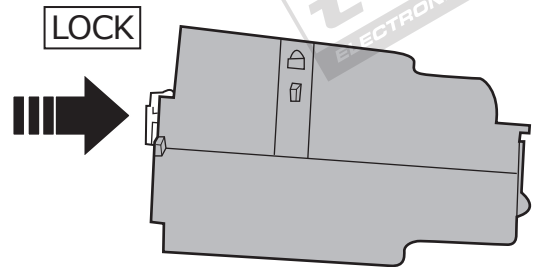
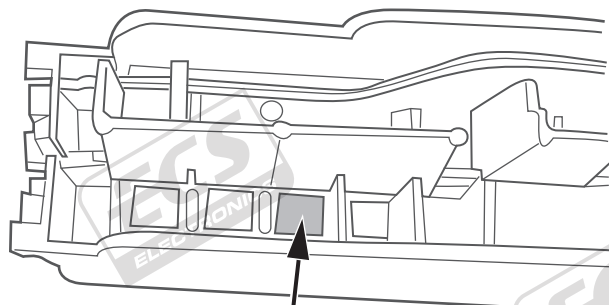
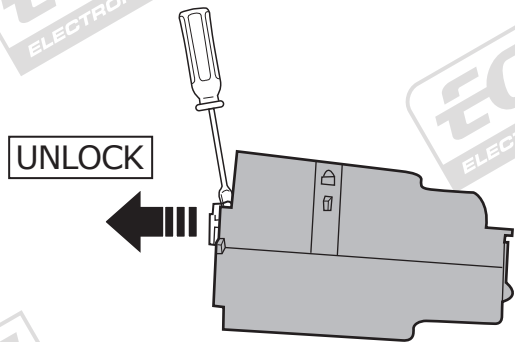
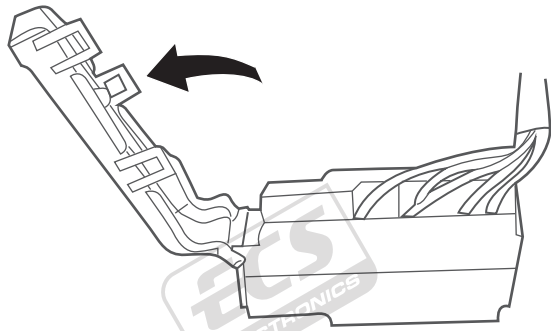
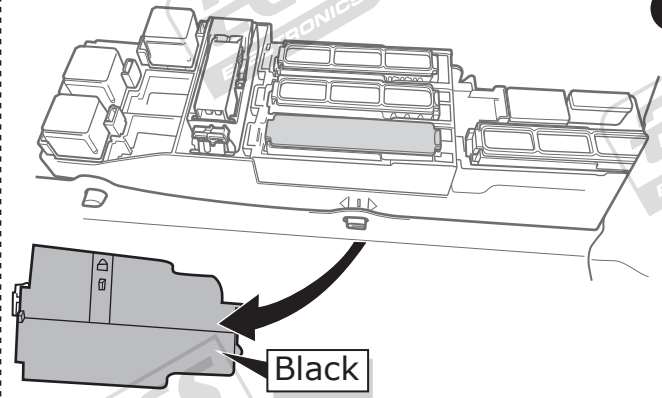
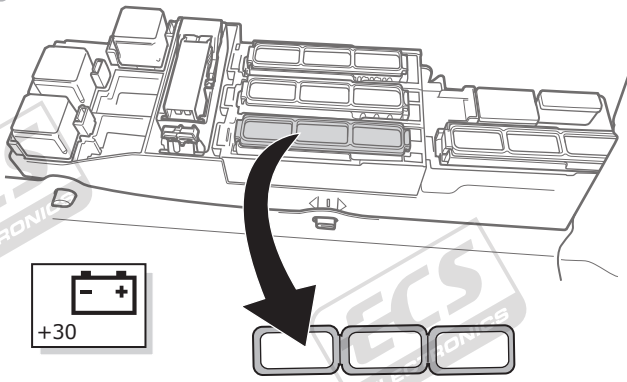


A6 Sedan / A7 Sportback / A6 Avant

15



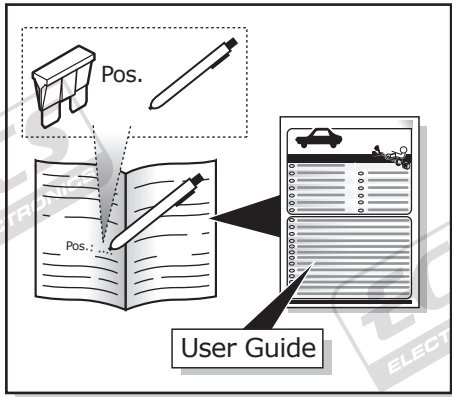
16



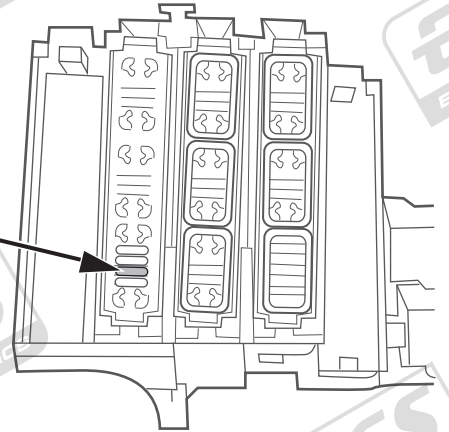
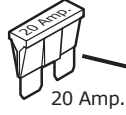
A6 Sedan / A7 Sportback / A6 Avant

17

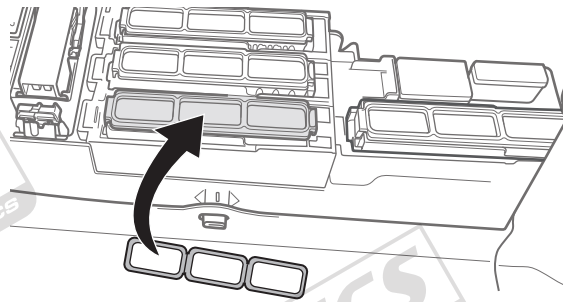
1



Pos. 2

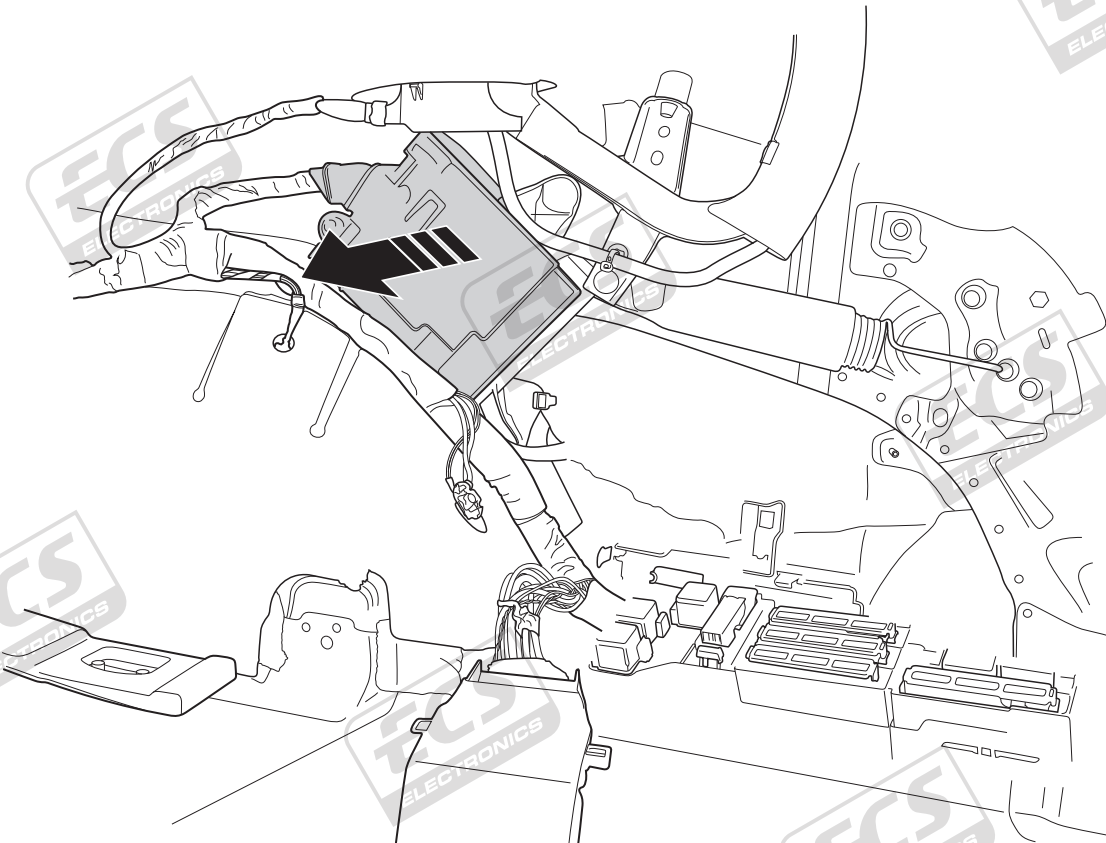


2



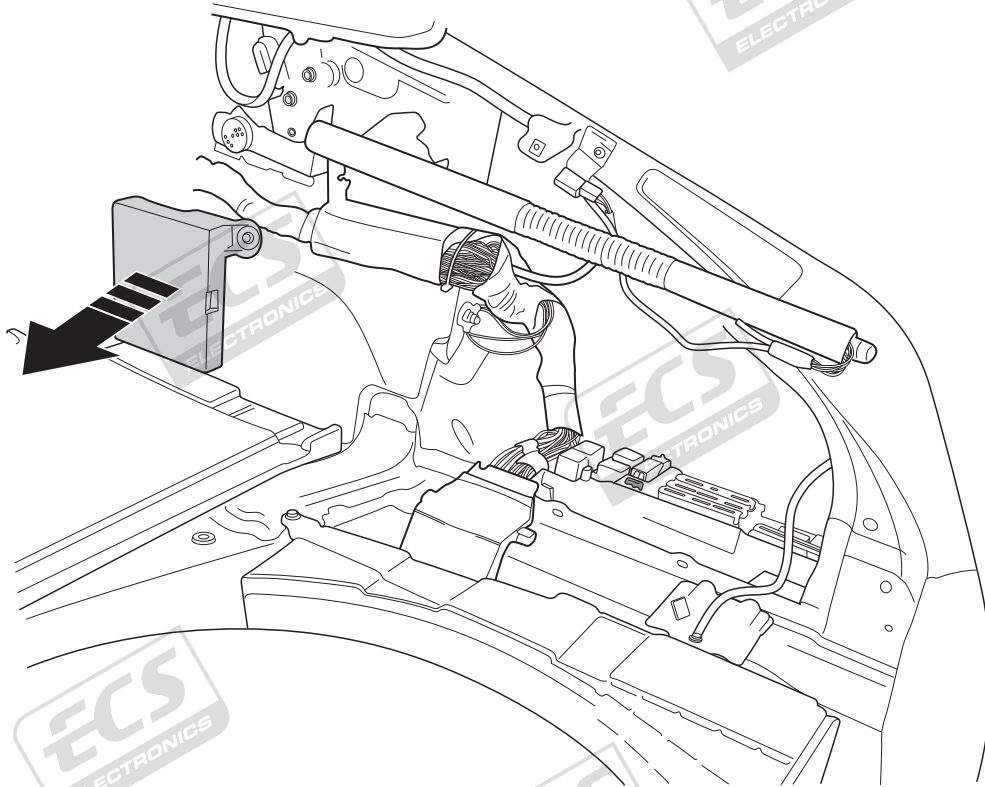
A6 Sedan / A6 Avant

18



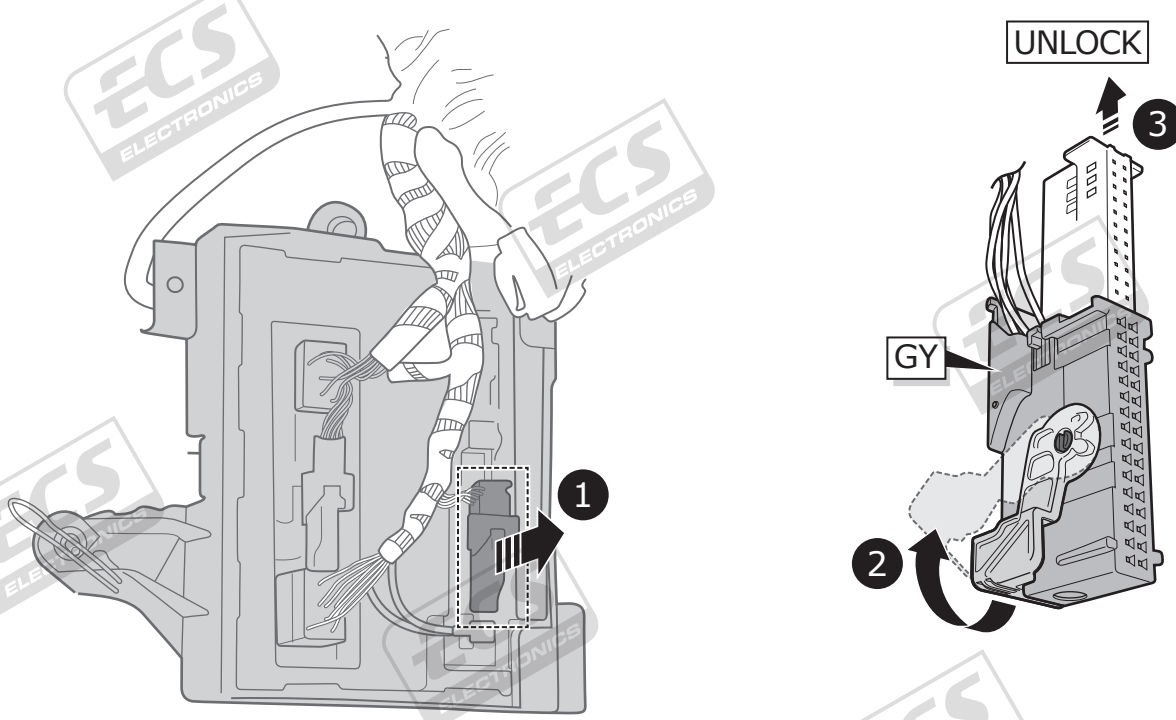
# A7 Sportback

19



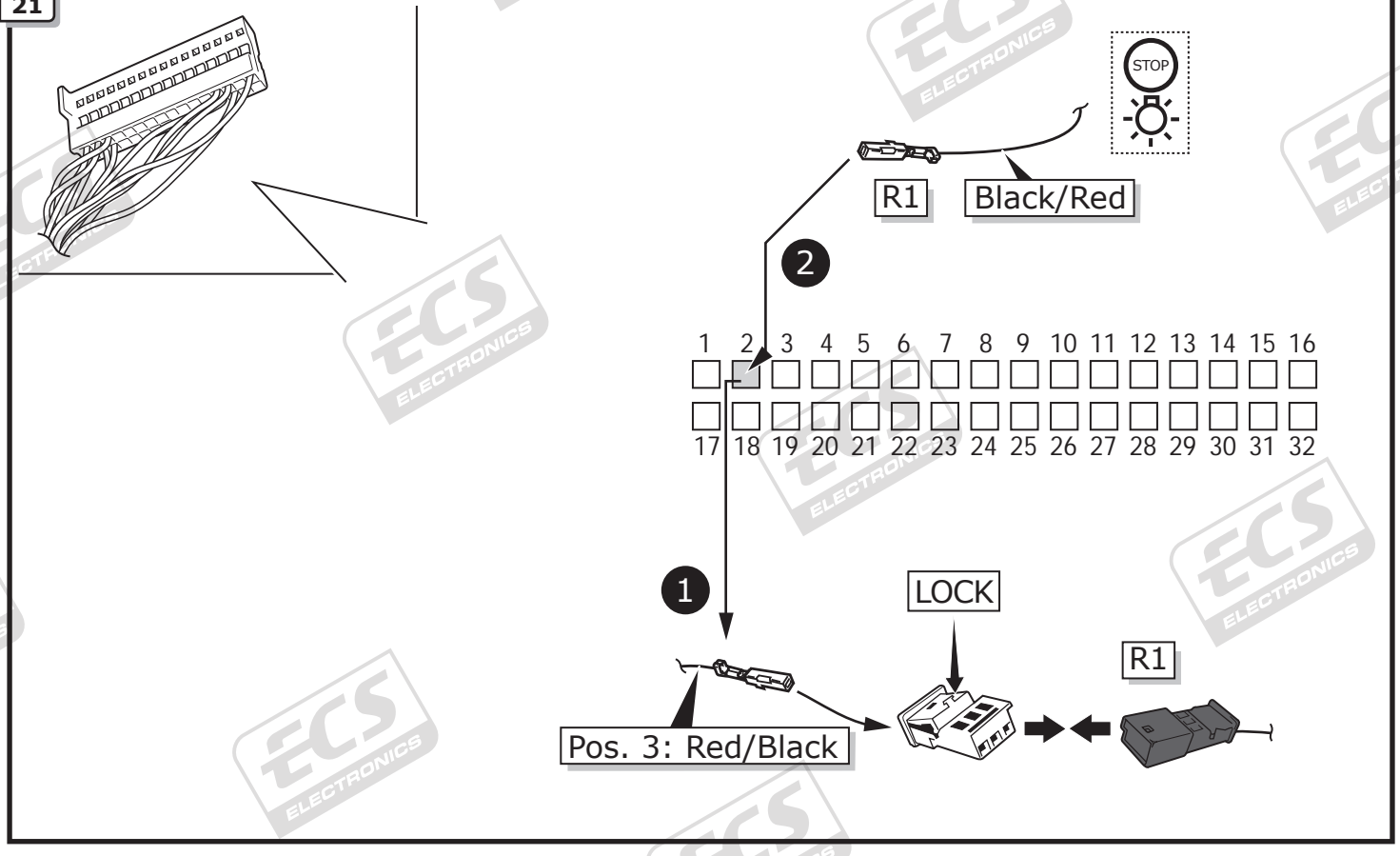
# A6 Sedan / A7 Sportback / A6 Avant

20



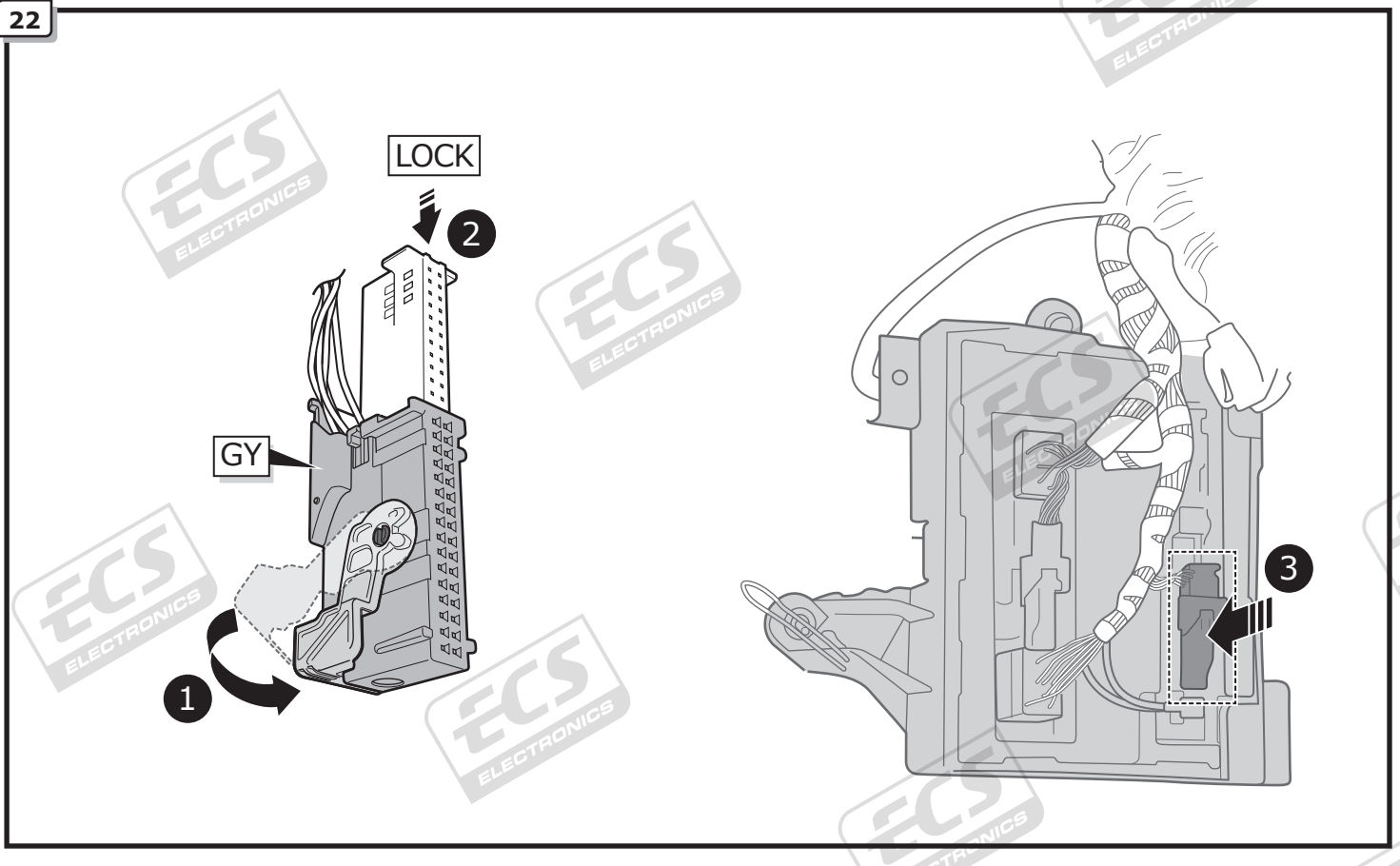
A6 Sedan / A7 Sportback / A6 Avant

21



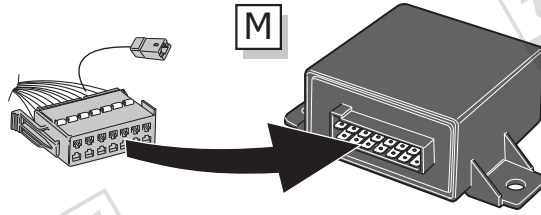
A6 Sedan / A6 Avant

22

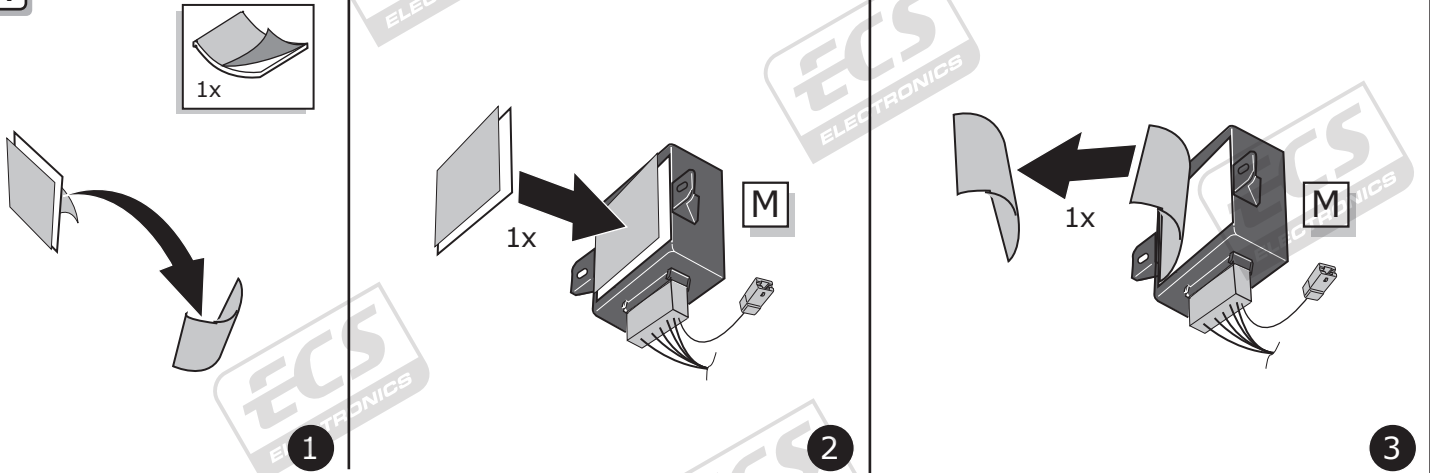


A6 Sedan / A7 Sportback / A6 Avant

23

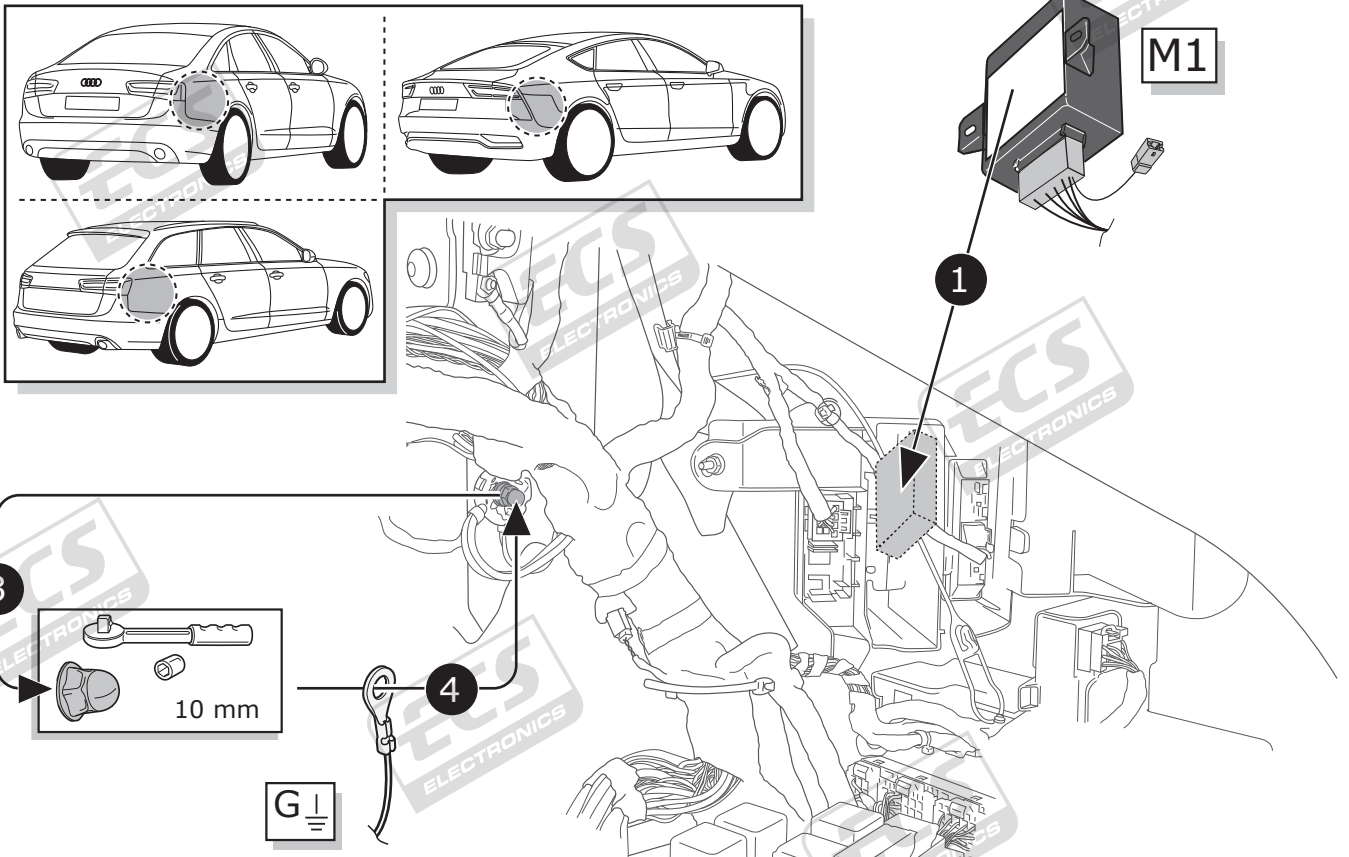


24



A6 Sedan / A7 Sportback / A6 Avant

25





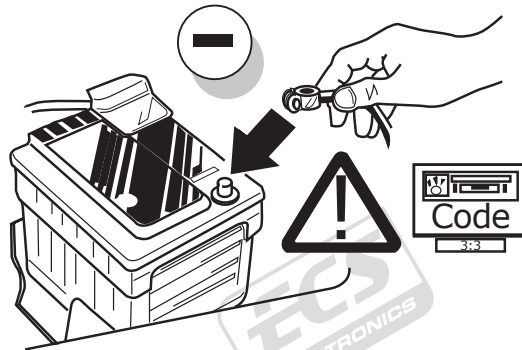
26

TEST ALL THE CIRCUITS WITH A TEST DEVICE WITH THE CORRECT POWER LOAD FOR EACH FUNCTION. A TEST DEVICE WITH LED'S CANNOT BE USED FOR THIS PURPOSE.

27

With a VAG Service tester with the help of SVM code '050200' the software of the vehicle must be adjusted to trailer coupling converted D12.

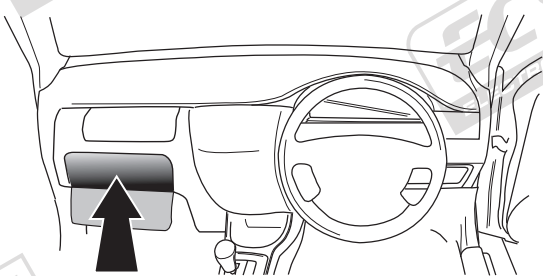
28



29

REINSTALL TRIM.

30



**User guide**



SOCKET CONNECTION

DIN/ISO 1724							
	1/L	2	3/31	4/R	5/58-R	6/54	7/58-L
Pmax	21W	21W		21W	42W	3x21W	42W
Colour	Black/White	Blue	Brown	Black/Green	Grey/Red	Black/Red	Grey/Black

Reverse signal preparation

