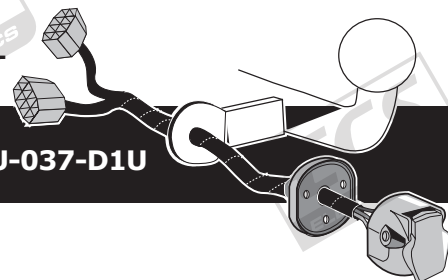


**Audi A4 Sedan (8EC) + A4 Avant (8ED) 2005- / A4 Cabrio (8HE) 2006-
 Audi A3 (8P1) 2003- + A3 Sportback (8PA) 2005- / A3 Cabrio (8P7) 2008-
 Seat Exeo (3R) 2009- / Seat Exeo ST (3R5) 2009-**



Partnr.: AU-037-D1U

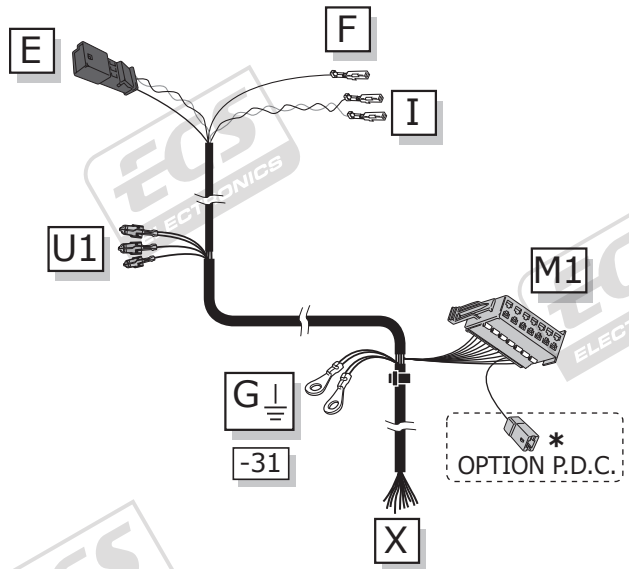
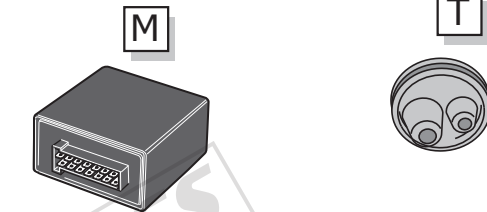
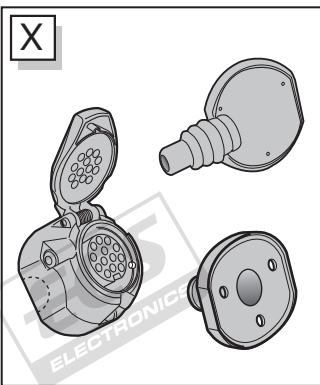
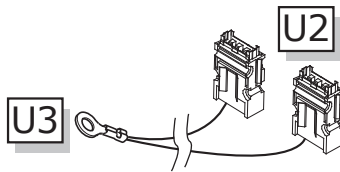
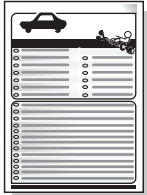
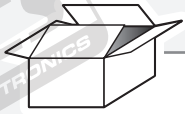
- Fitting instructions electric wiring kit tow bar with 13-P socket up to DIN/ISO Norm 11446.
- We would expressly point out that assembly not carried out properly by a competent installer will result in cancellation of any right to damage compensation, in particular those arising by virtue of the product liability act.
- Contents of these kits and their fitting manuals are subject to alteration without notice, please ensure that these instructions are read and fully understood before commencing installation.
- Do not overload circuits; the maximum loads per connection are detailed in this manual.
- Attention! Before Installation, please read this manual carefully and inform your customer to consult the vehicle owners manual to check for any vehicle modifications required before towing.
- In the event of functional problems, troubleshooting must be limited to about 0.5 hours, contact the technical support:
t.skinner@ecs-electronics.com / 07440 202 052.

TECHNICAL SUPPORT

CALL 07440 202 052

ECS ELECTRONICS
 MONDAY TO FRIDAY
 08.00 - 11.00 am
 12.00 - 05.00 pm
t.skinner@ecs-electronics.com
www.ecs-electronicsuk.co.uk

Part list



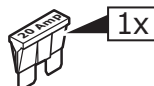
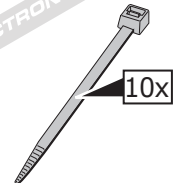
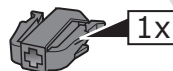
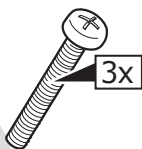
Option! *

PARK DISTANCE CONTROL

↓

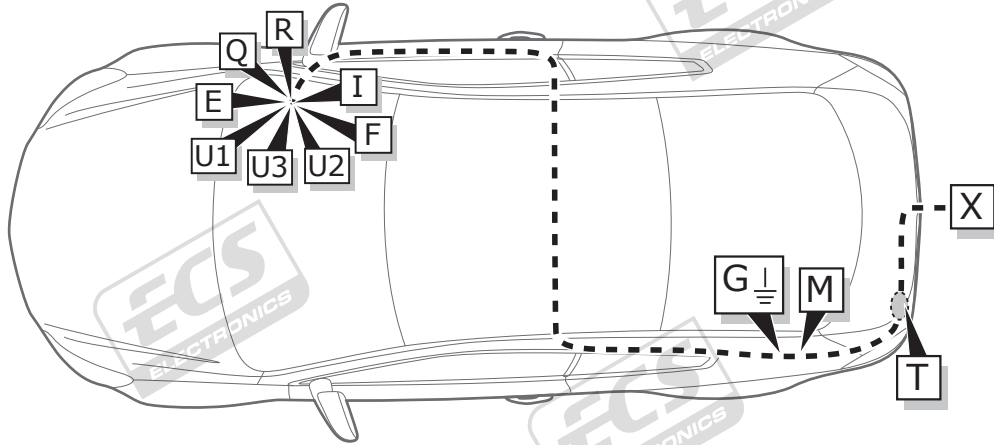
PARK DISTANCE CONTROL

For not OEM P.D.C. System use the: VW-083-ZZ



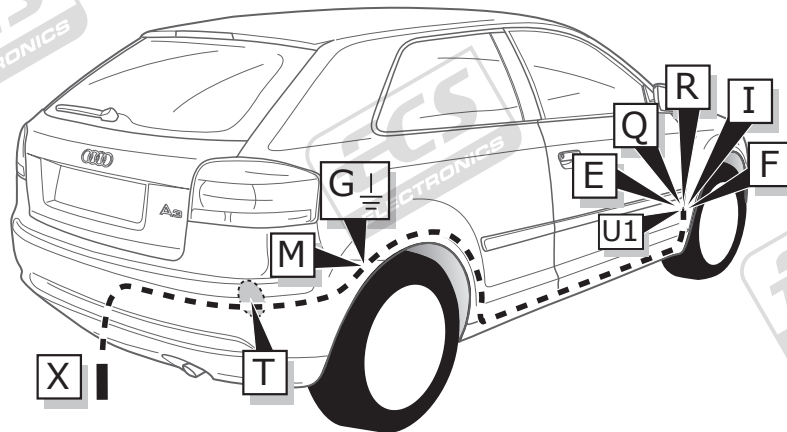
A4 Sedan / A4 Cabrio / A4 Avant / Exeo / Exeo ST

ROUTING



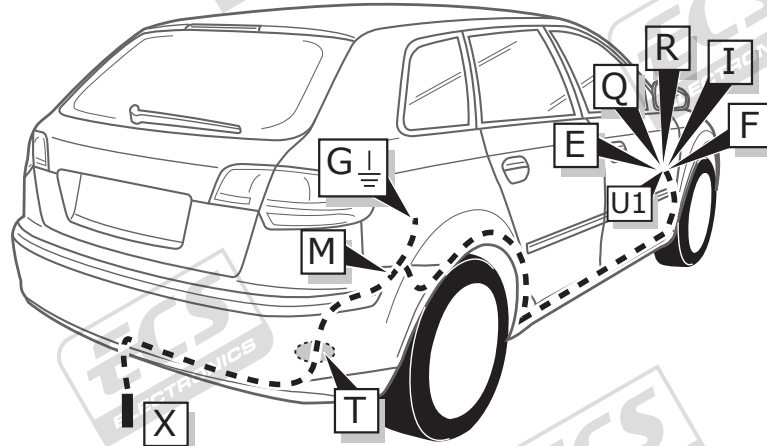
A3

ROUTING



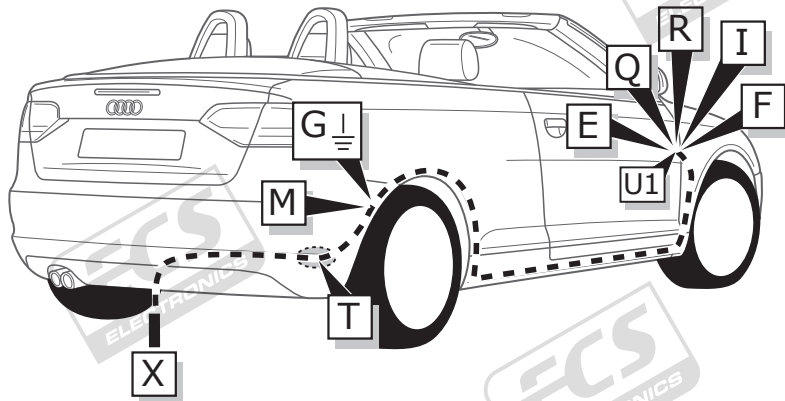
A3 Sportback

ROUTING



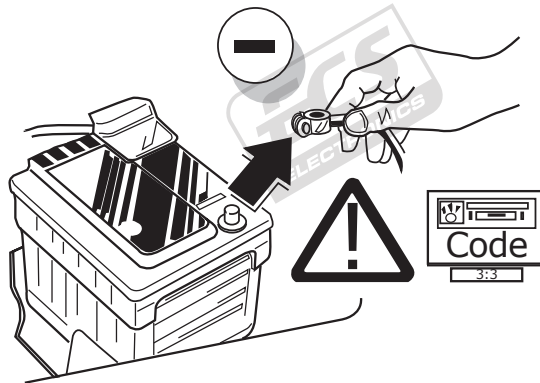
A3 Cabrio

ROUTING



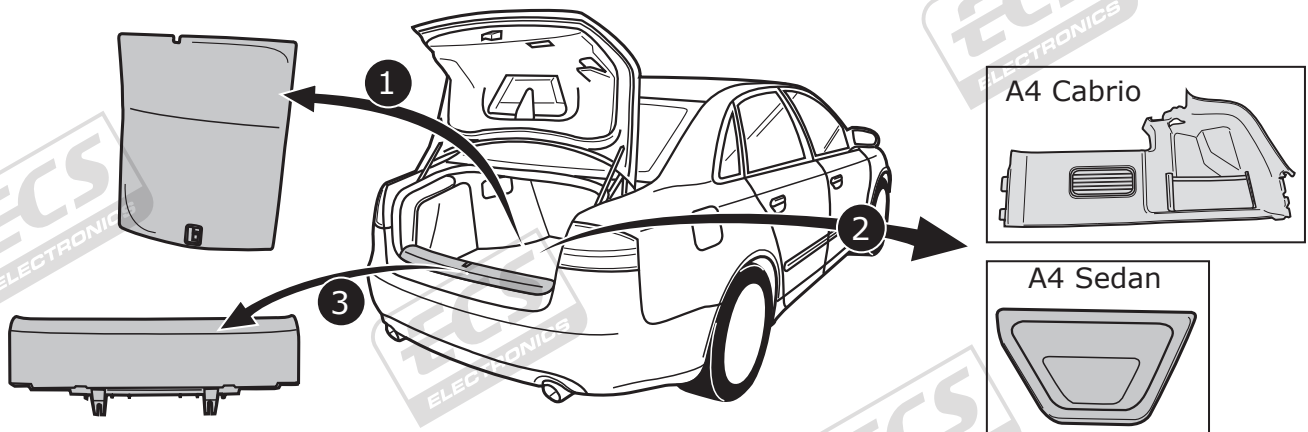
A4 Sedan / A4 Cabrio / A4 Avant / A3 / A3 Cabrio / A3 Sportback / Exeo / Exeo ST

1



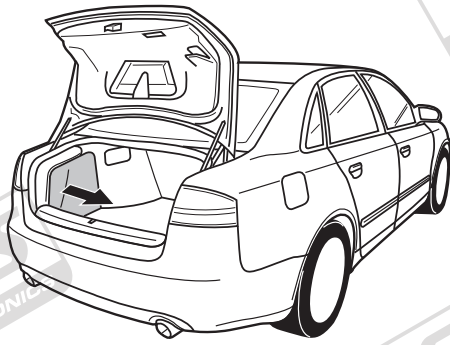
A4 Sedan / A4 Cabrio / Exeo

2



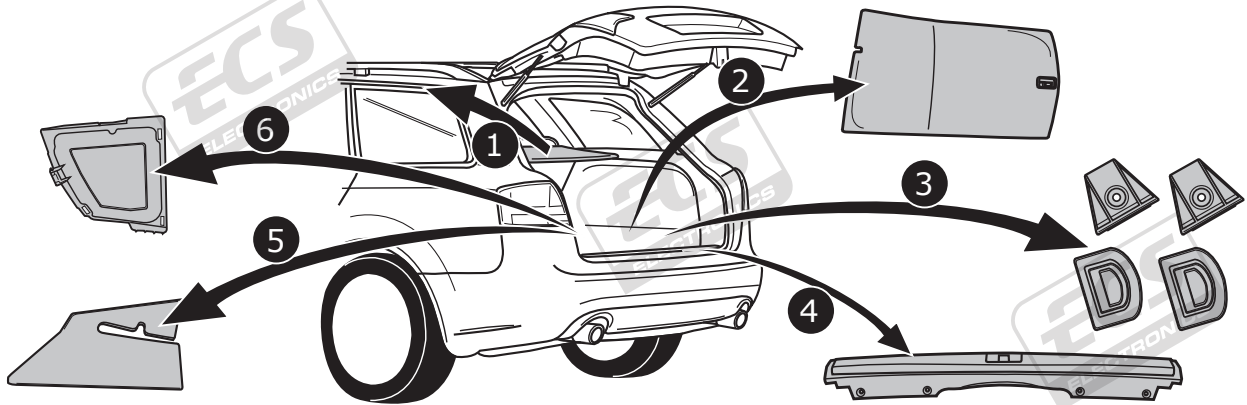
A4 Sedan / A4 Cabrio / Exeo

3



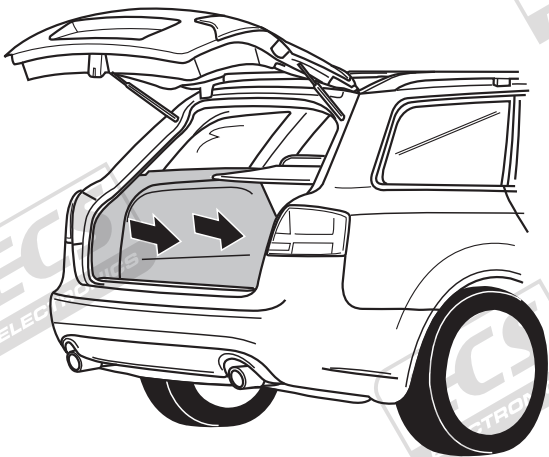
A4 Avant / Exeo ST

4



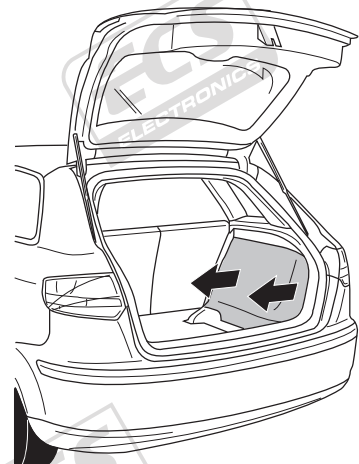
A4 Avant / Exeo ST

5



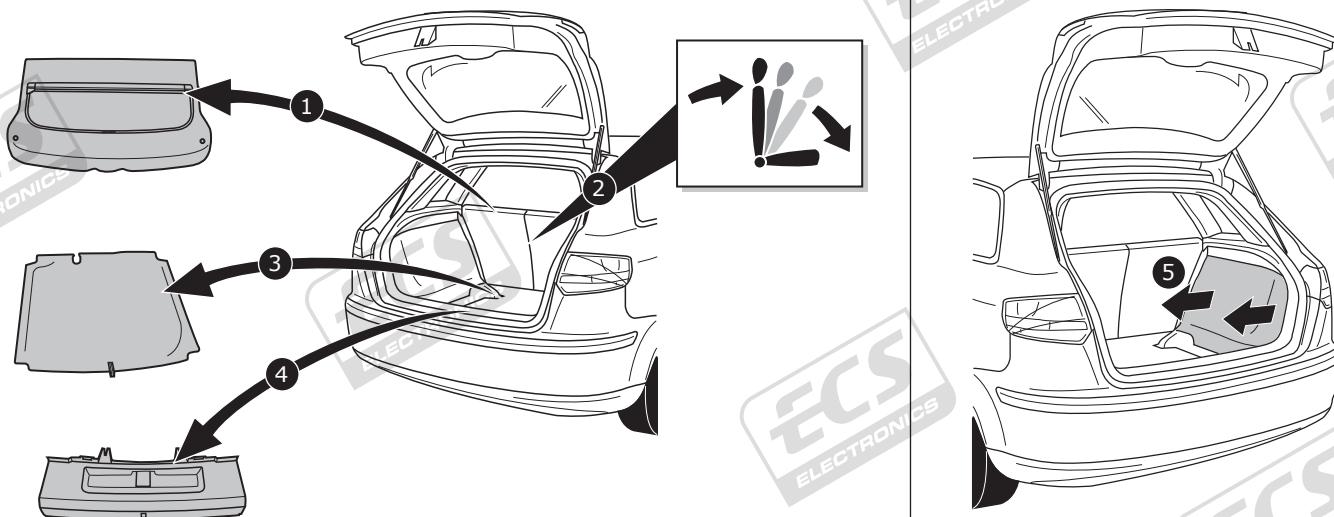
A3

6



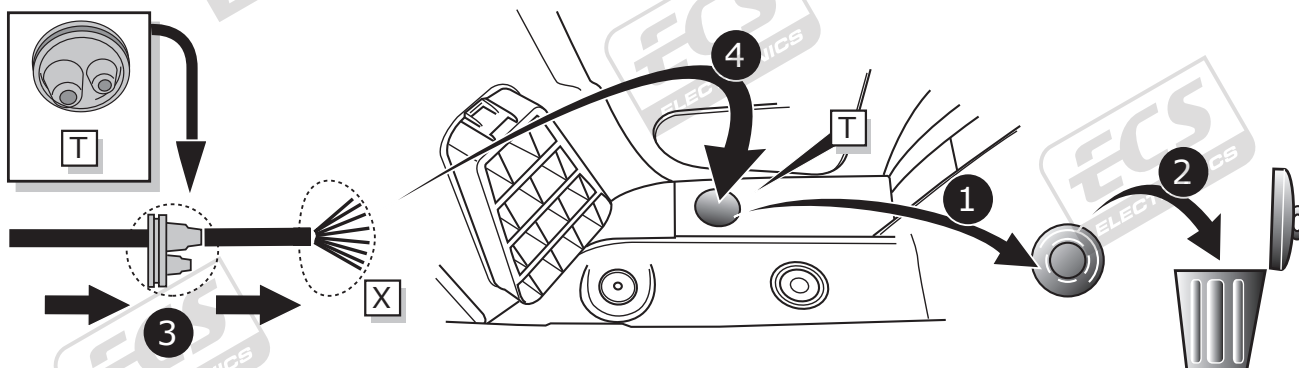
A3 / A3 Cabrio / A3 Sportback

7



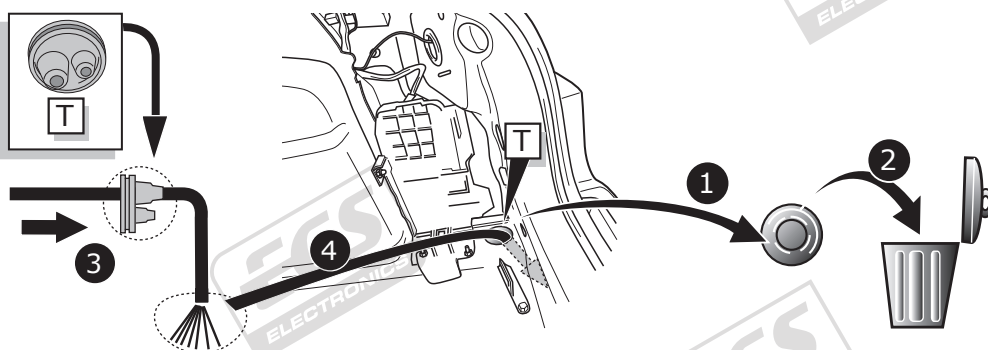
A4 Sedan / A4 Cabrio / A4 Avant / Exeo / Exeo ST

8



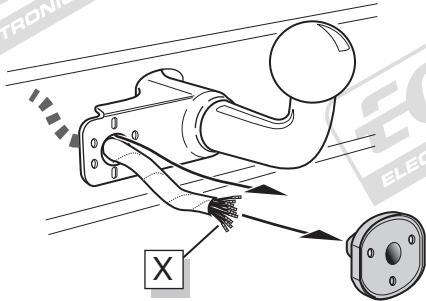
A3 / A3 Sportback / A3 Cabrio

9

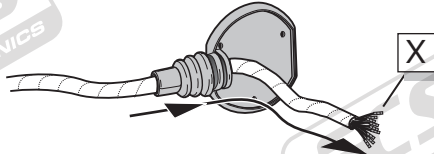


A

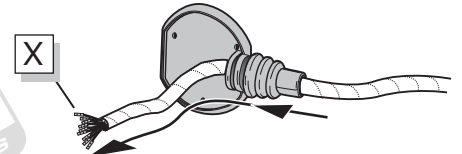
Option 1



Option 2



Option 3



INFO

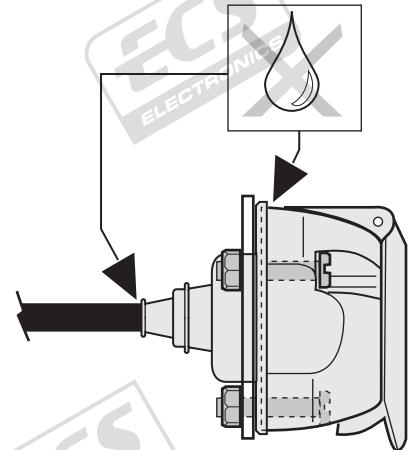
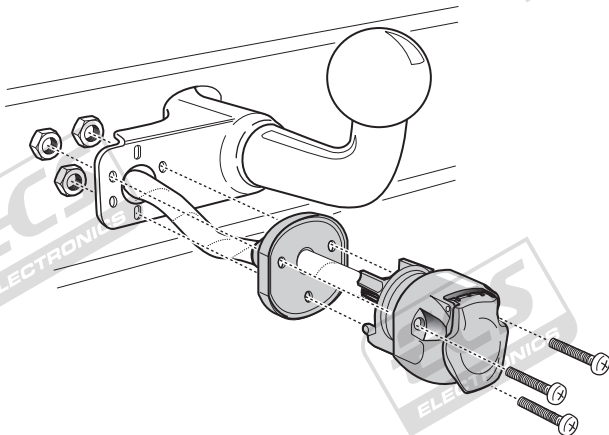
SOCKET CONNECTION

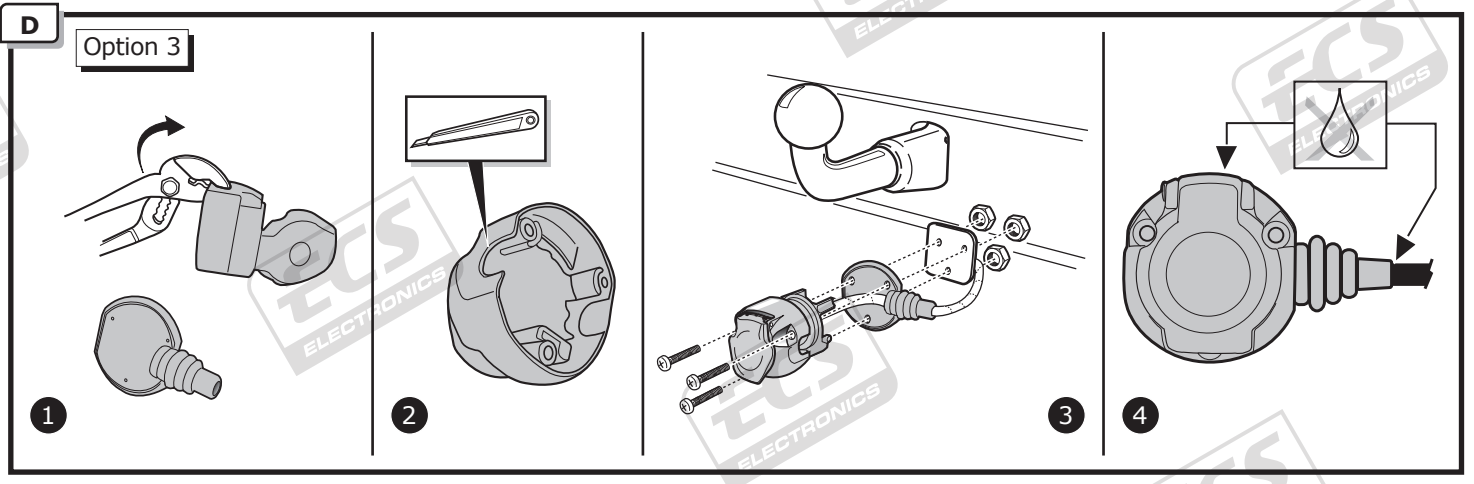
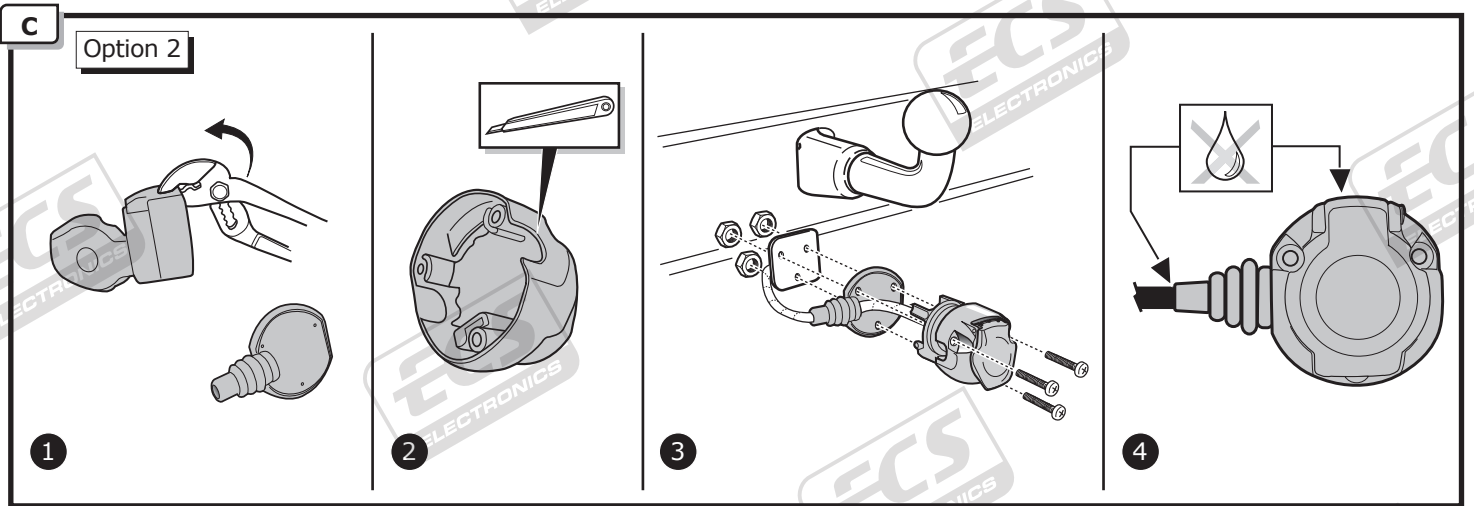


Pag. 21

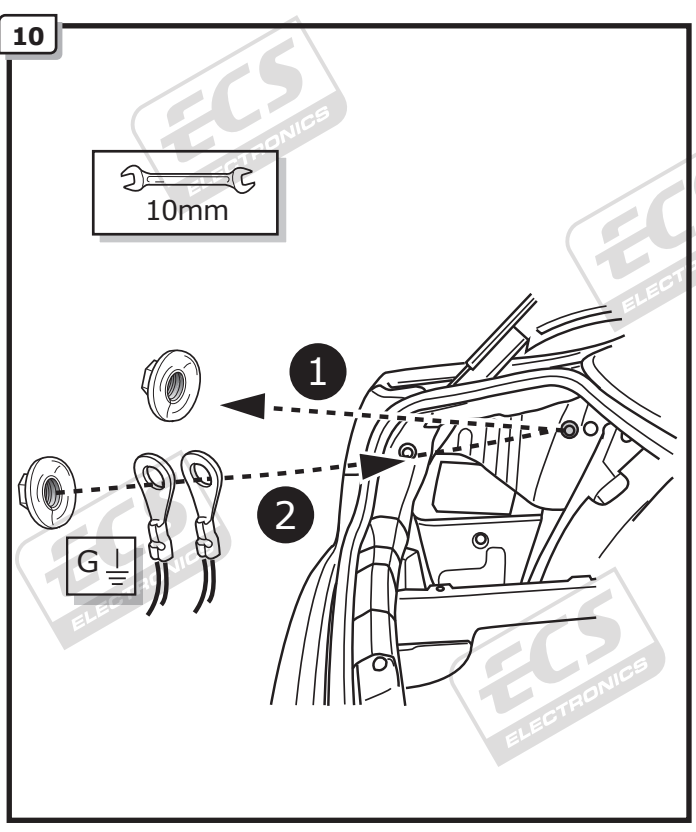
B

Option 1

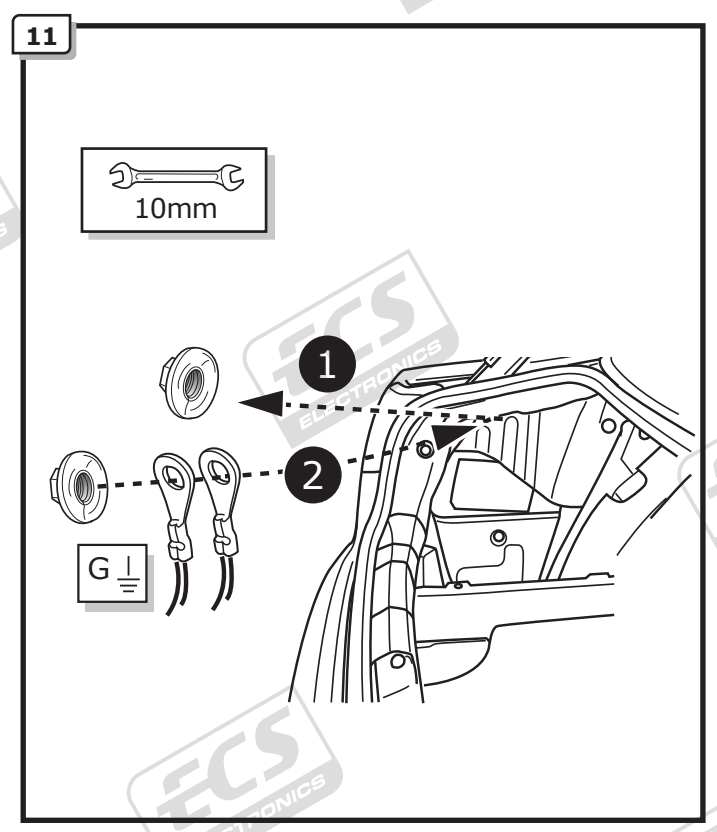




A4 Sedan / Exeo

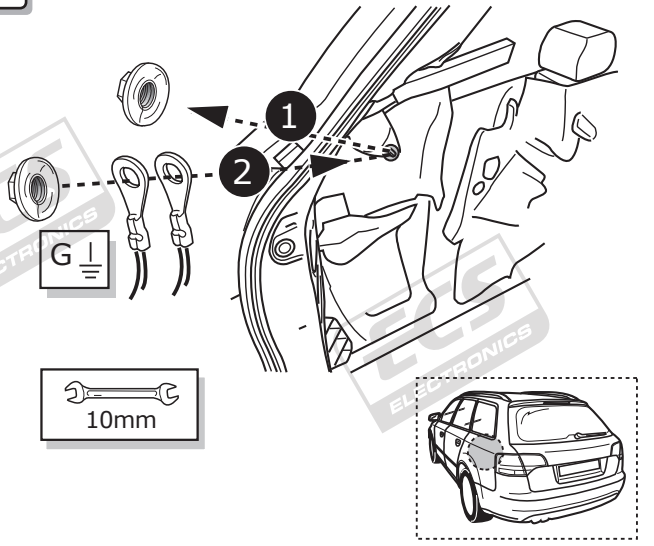


A4 Cabrio



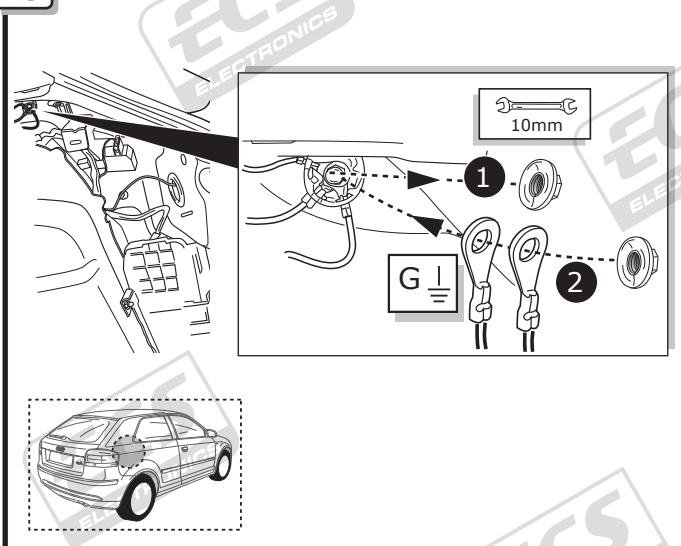
A4 Avant / Exeo ST

12



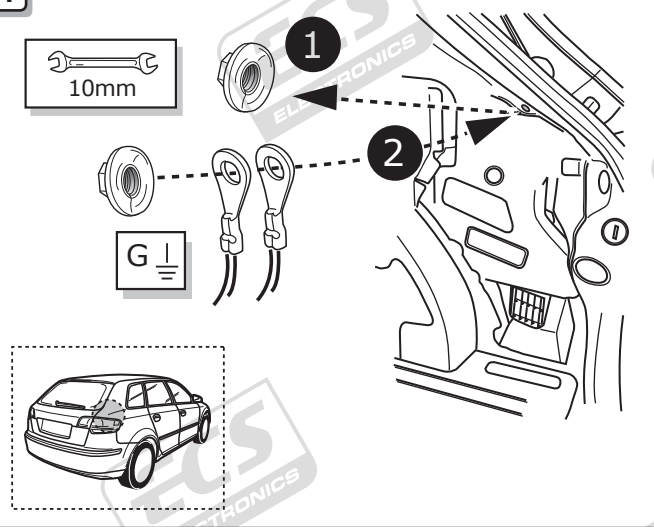
A3

13



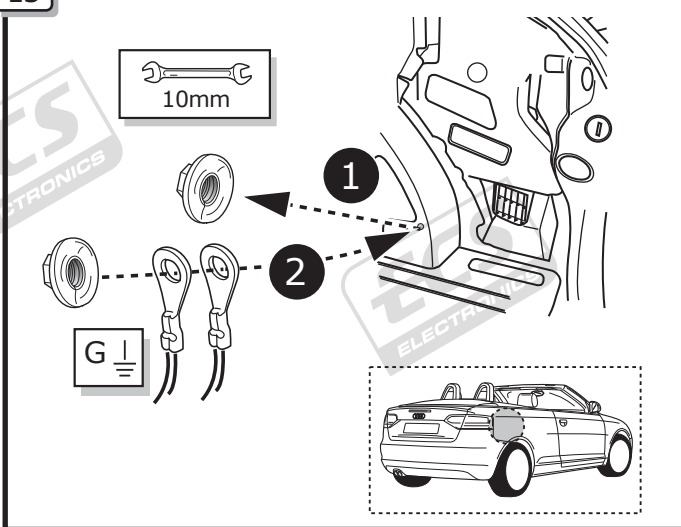
A3 Sportback

14



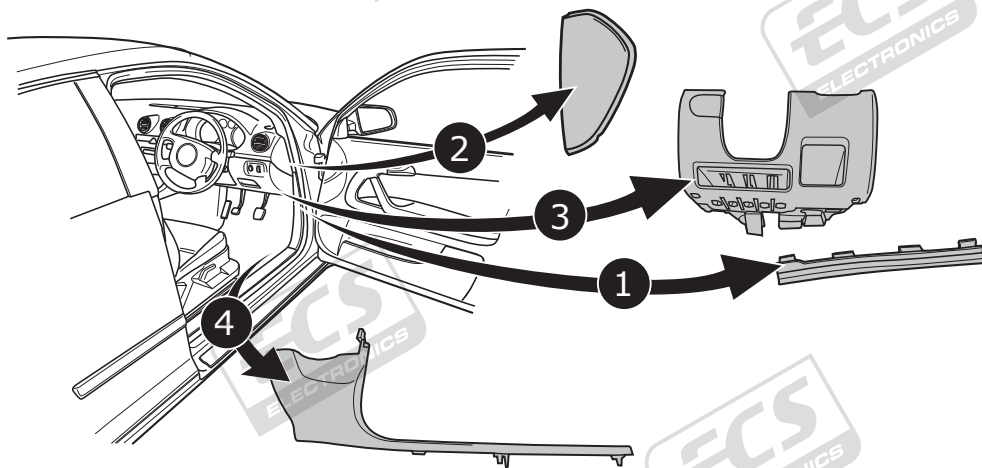
A3 Cabrio

15



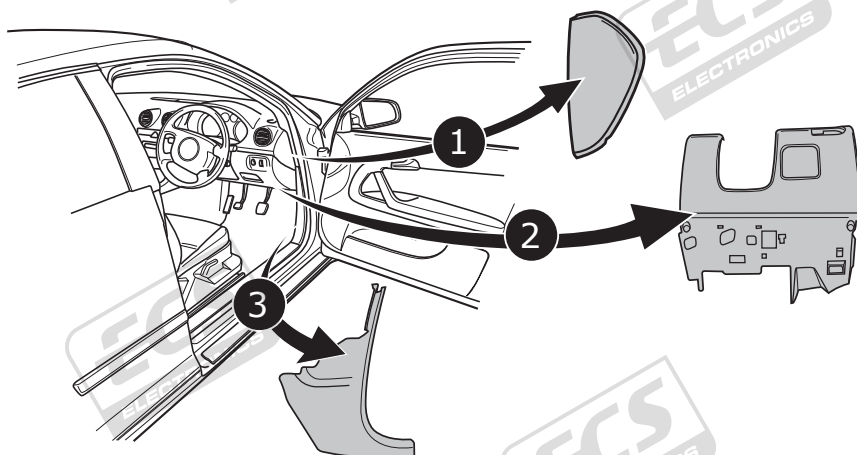
A4 Sedan / A4 Cabrio / A4 Avant / Exeo / Exeo ST

16

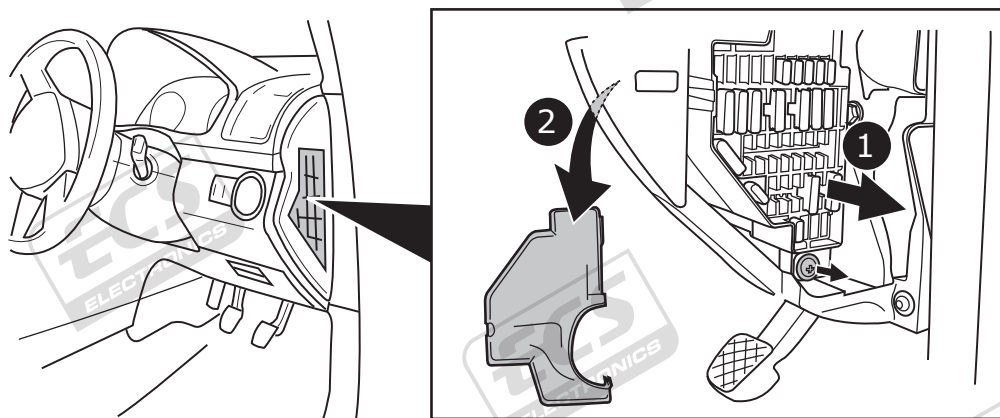


A3 / A3 Sportback / A3 Cabrio

17

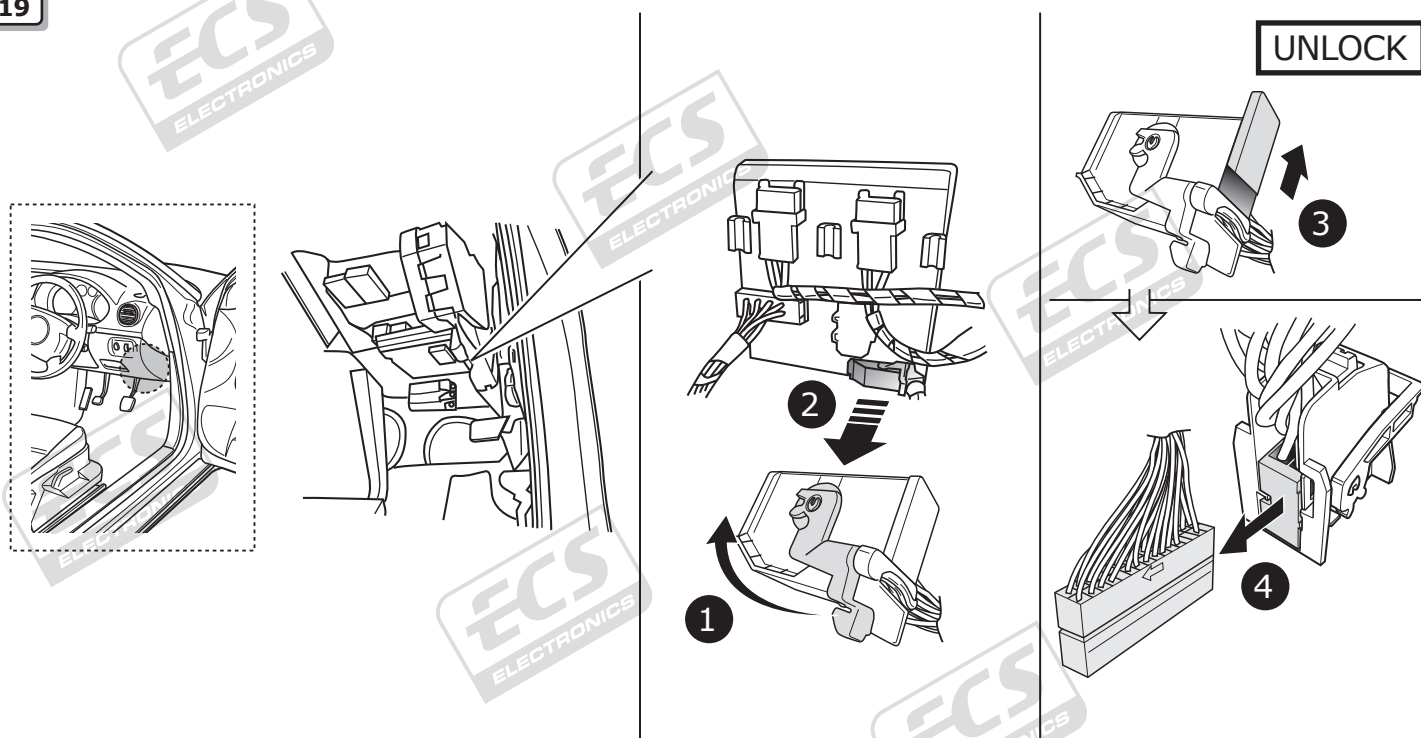


18

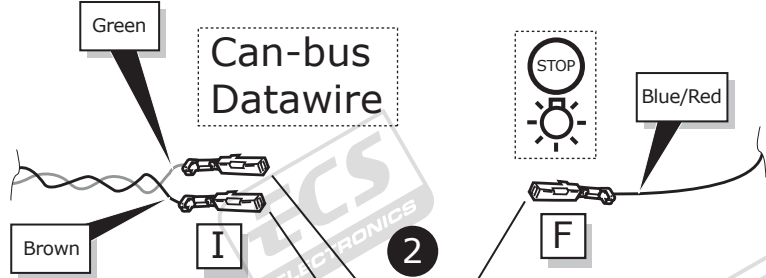
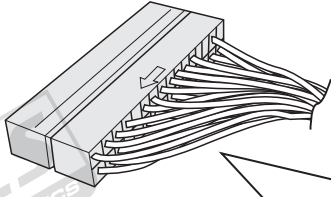


A4 Sedan / A4 Cabrio / A4 Avant / Exeo / Exeo ST

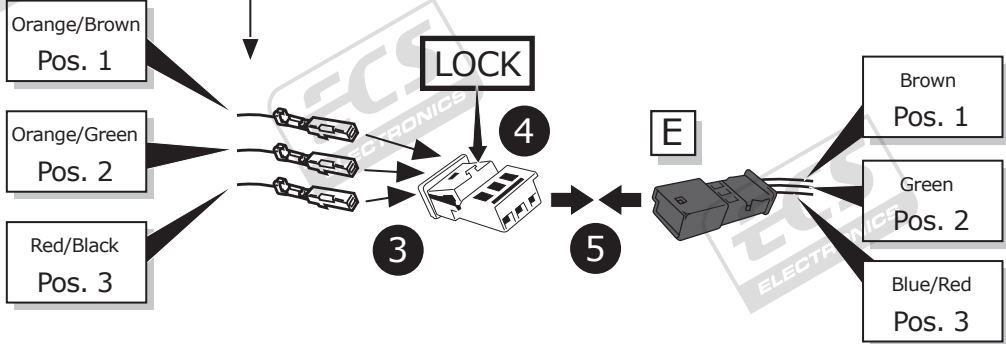
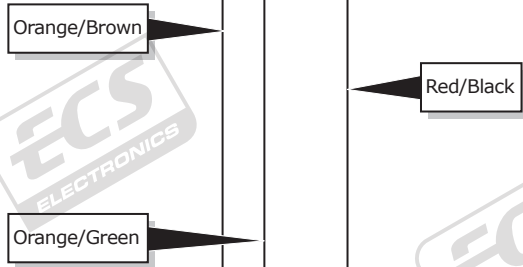
19



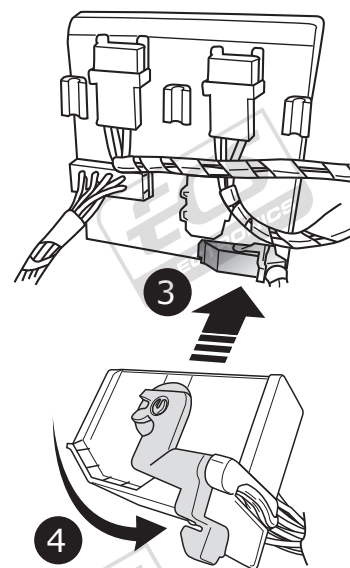
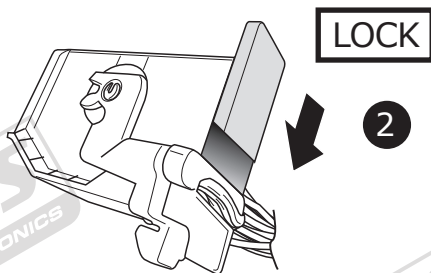
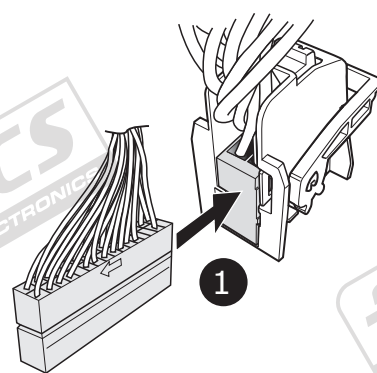
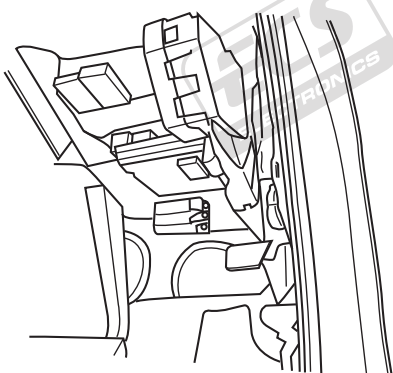
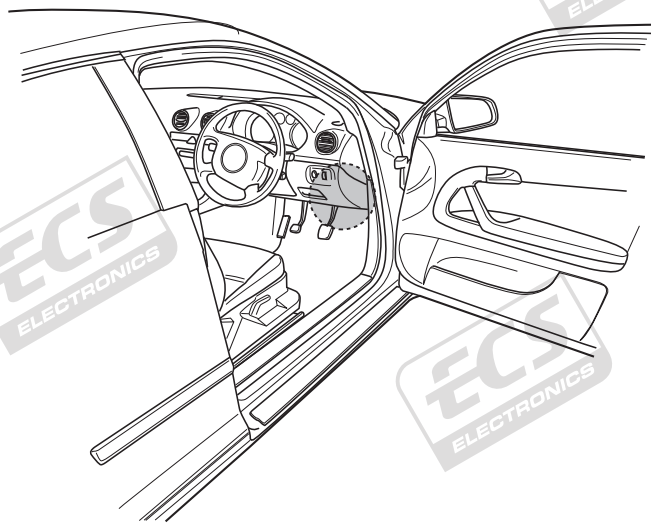
20



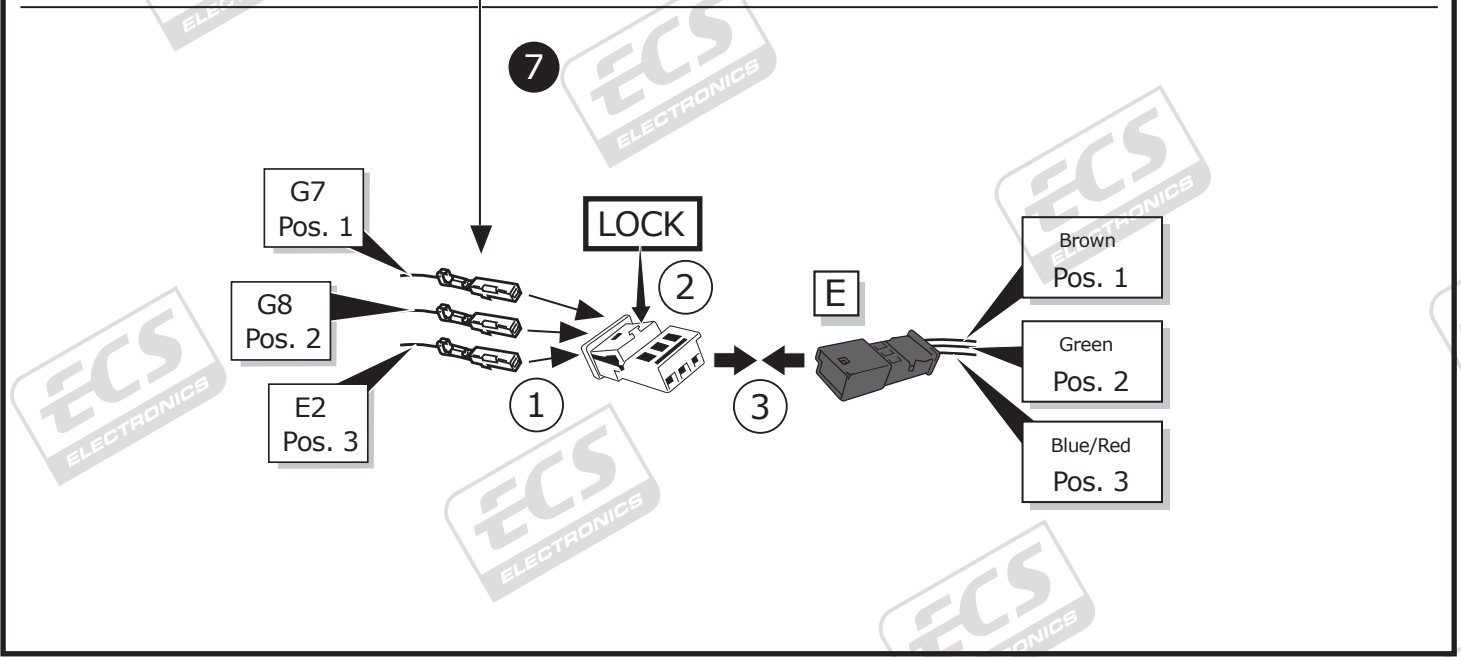
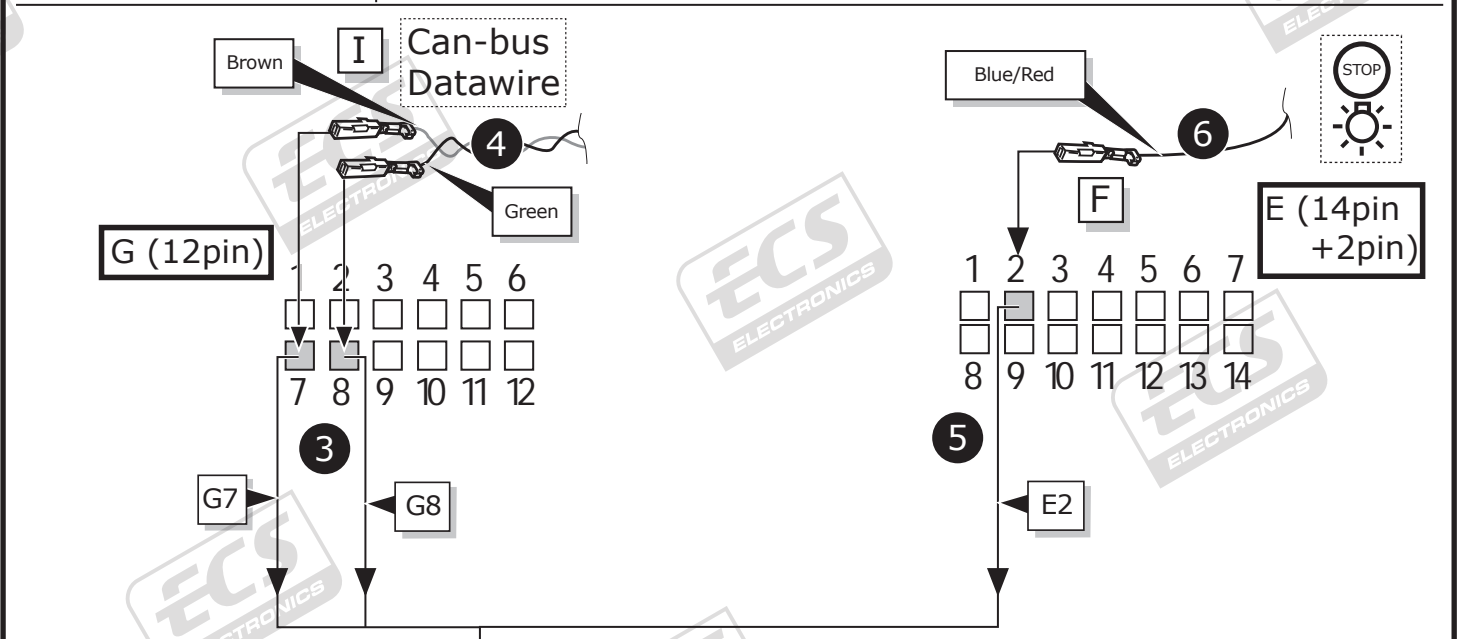
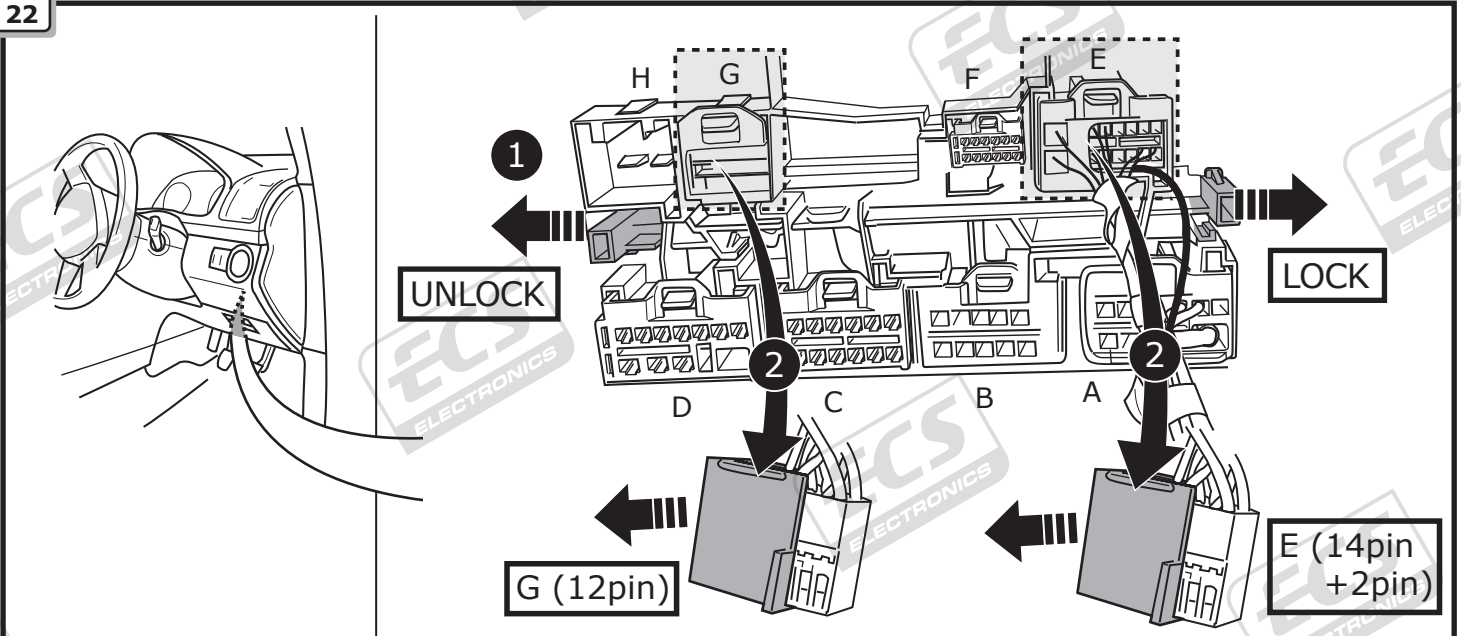
1	2	3	4	5	6	7	8	9	10	11	12	13	14	15	16
□	□	□	□	□	□	□	□	□	□	□	□	□	□	□	□
17	18	19	20	21	22	23	24	25	26	27	28	29	30	31	32
□	□	□	□	□	□	□	□	□	□	□	□	□	□	□	□



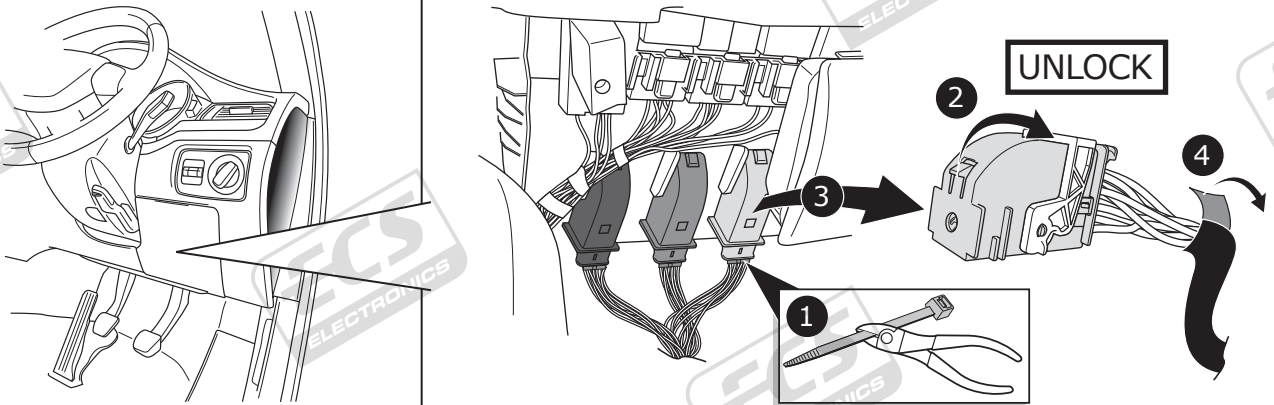
21



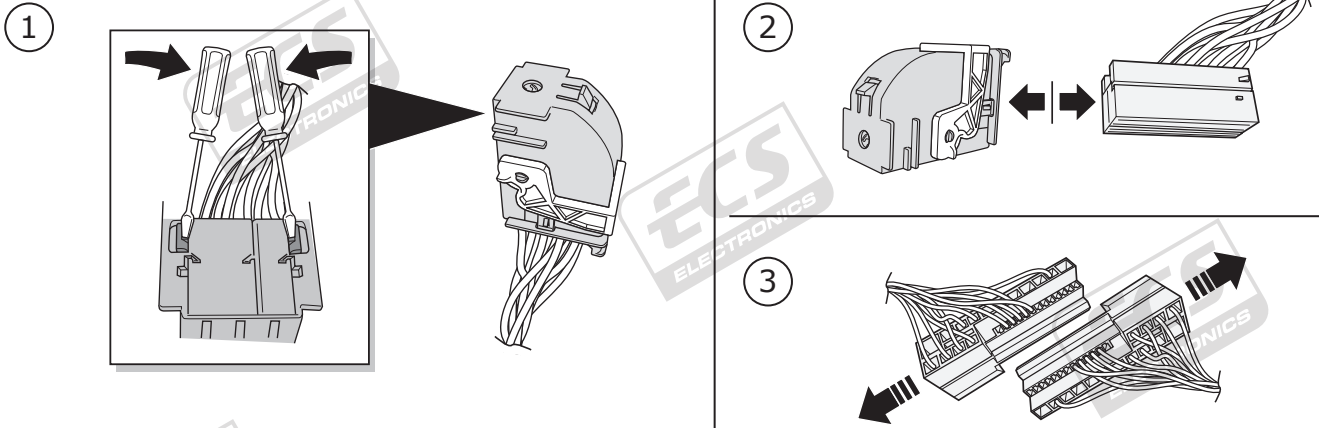
22



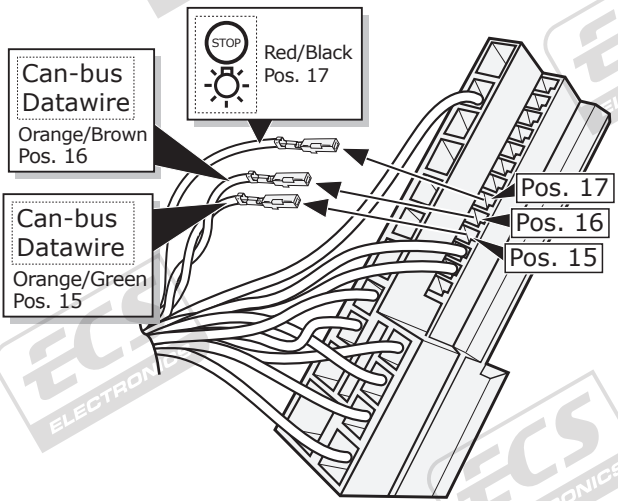
23



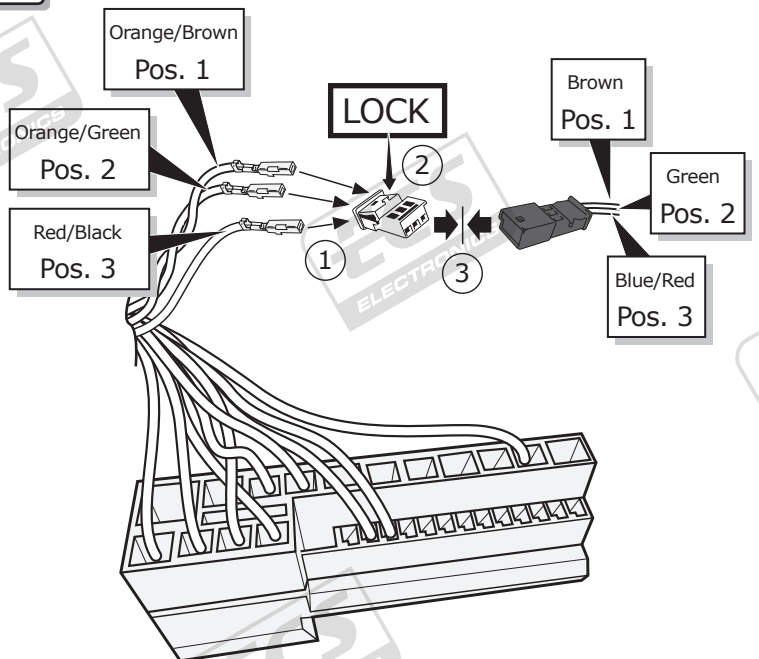
24



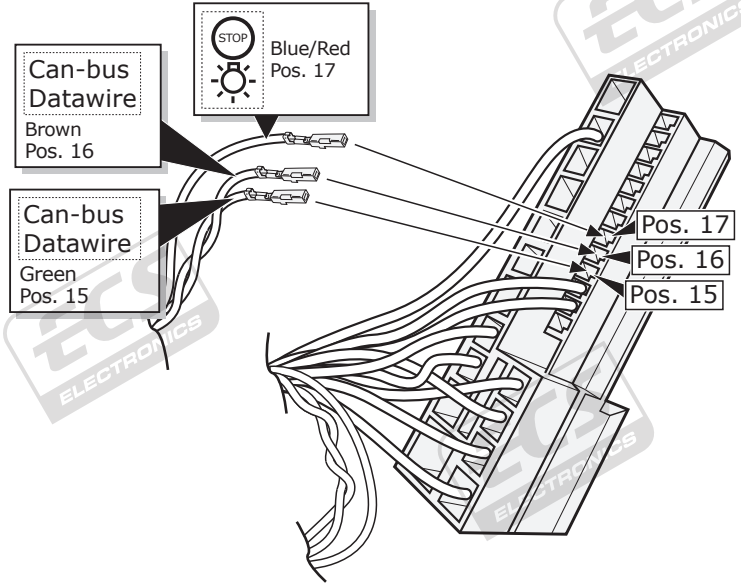
25



26

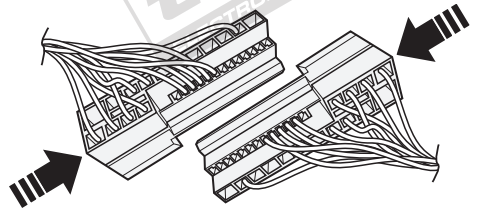


27

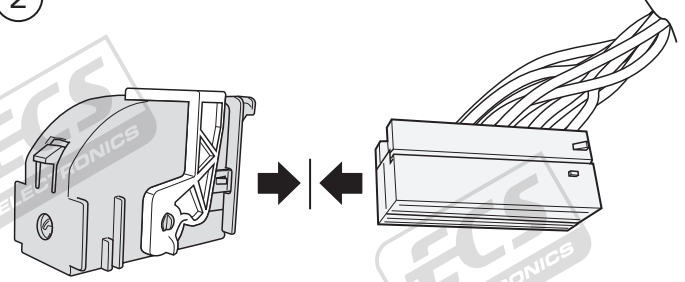


28

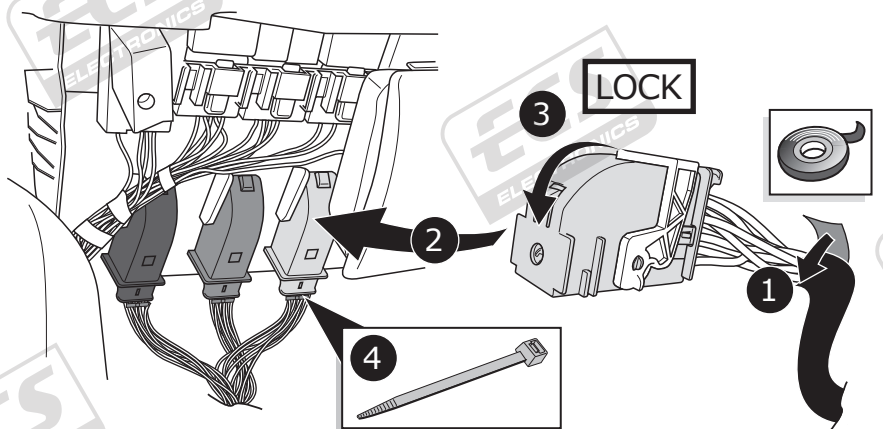
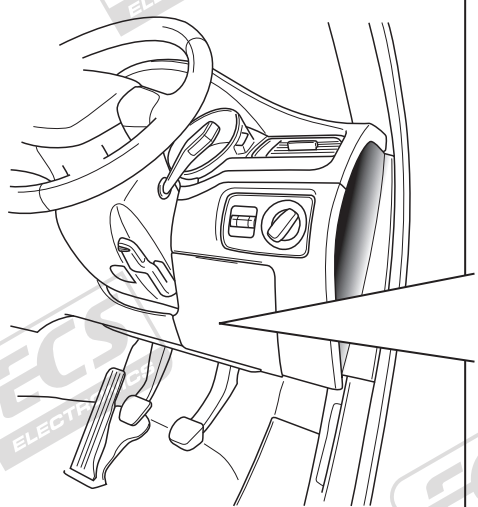
1



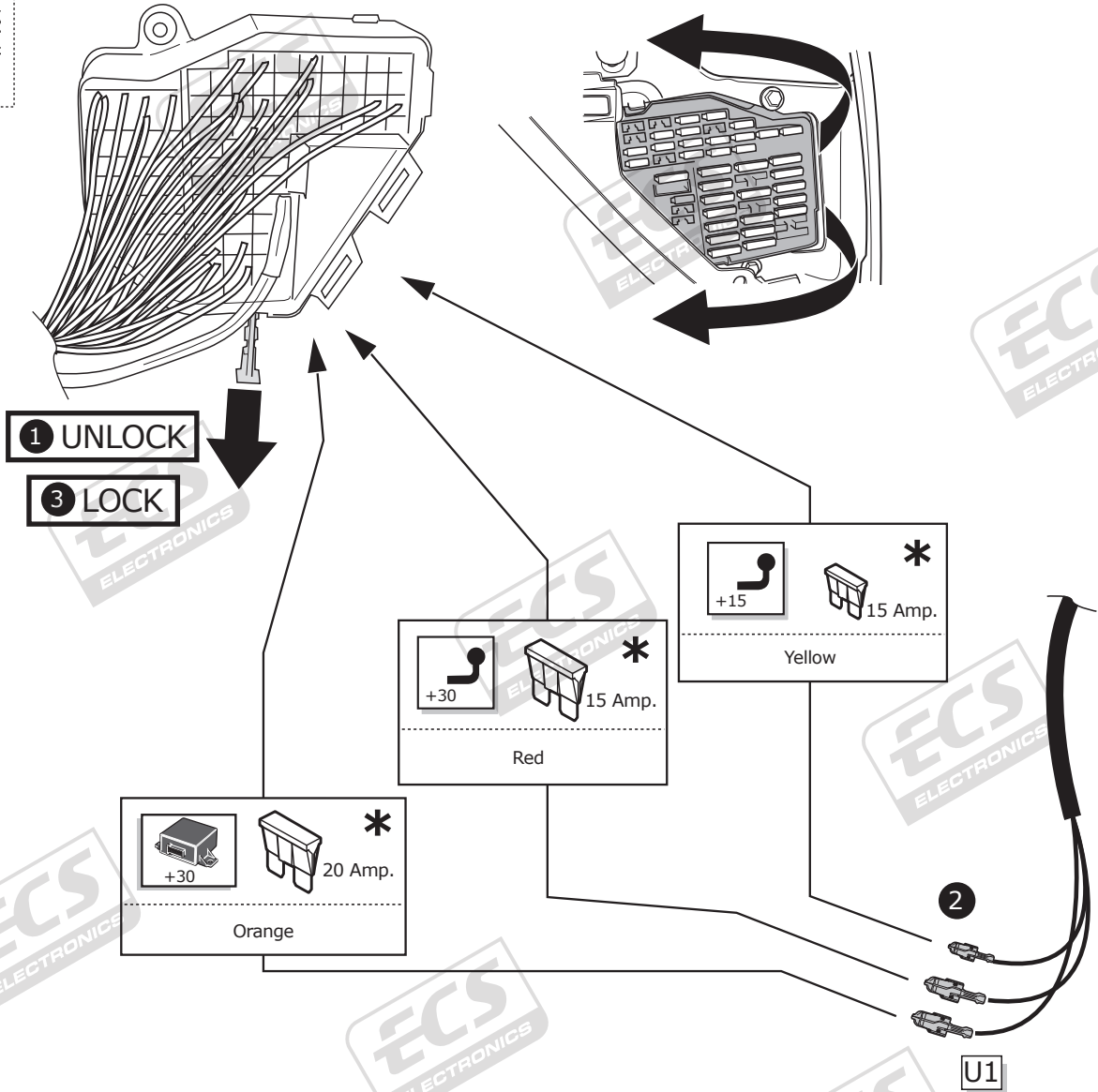
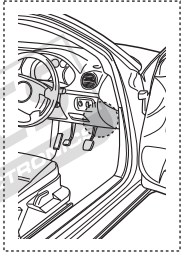
2



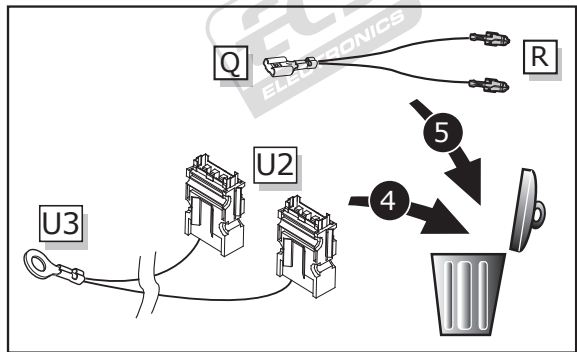
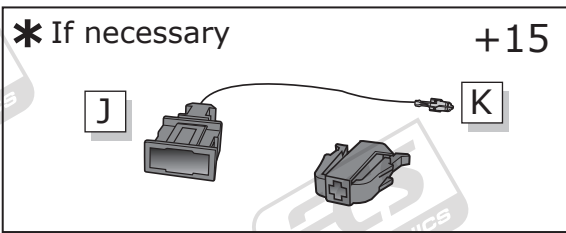
29



OPTION 1

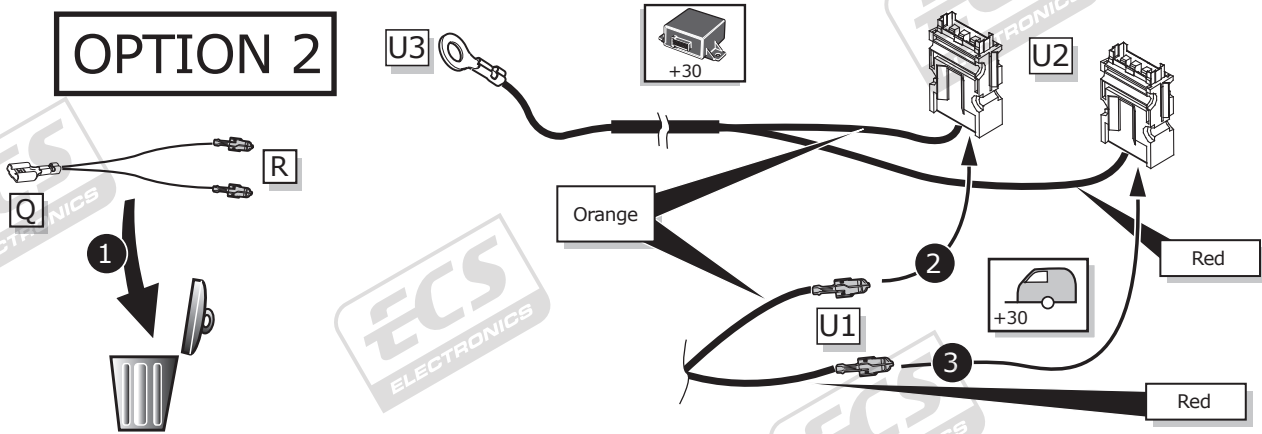


* Pos. free



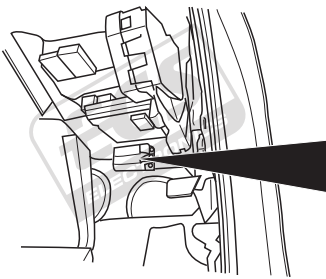
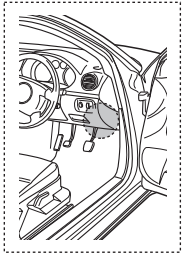
31

OPTION 2

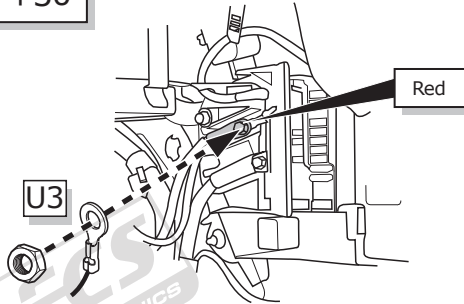


32

OPTION 2

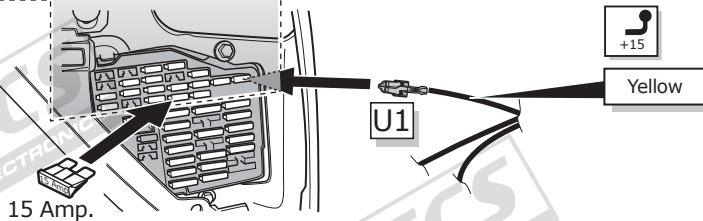
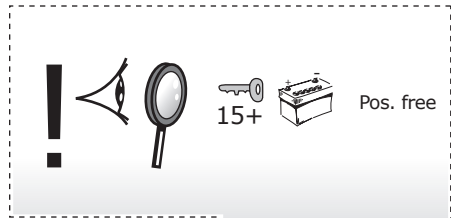
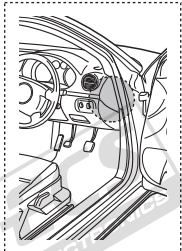
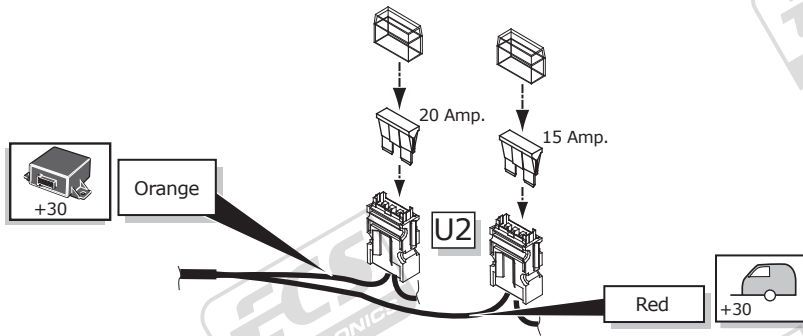


Orange+Red +30

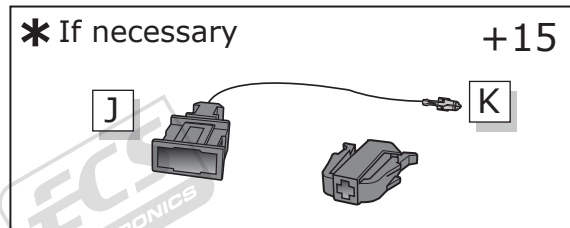
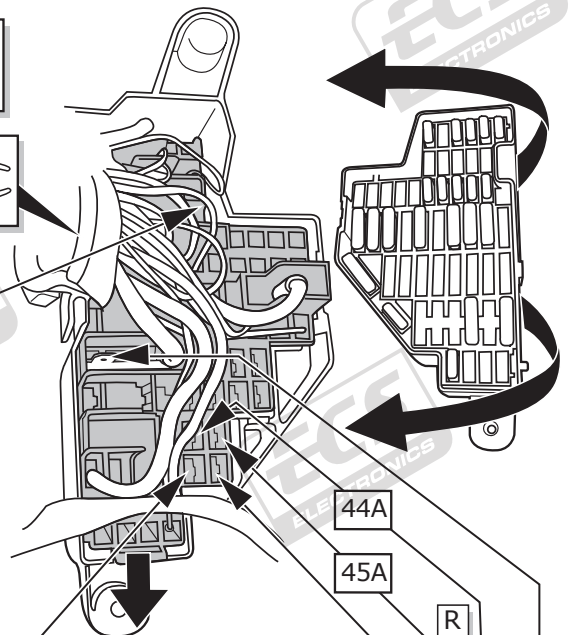
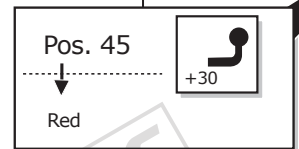
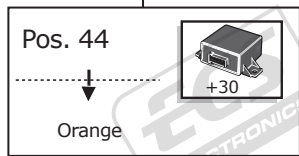
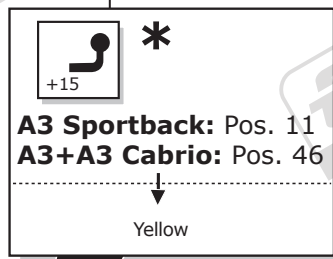
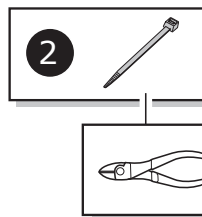
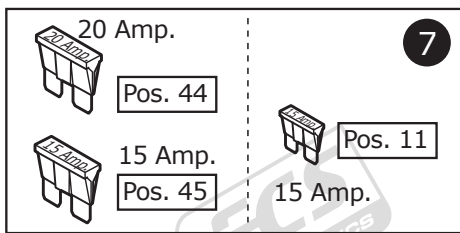
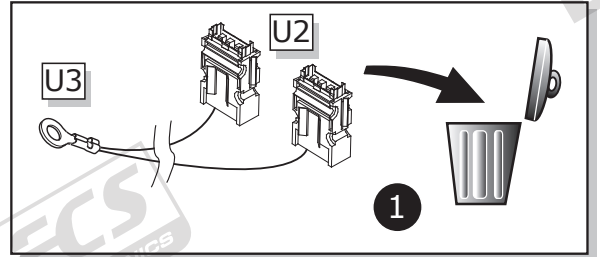
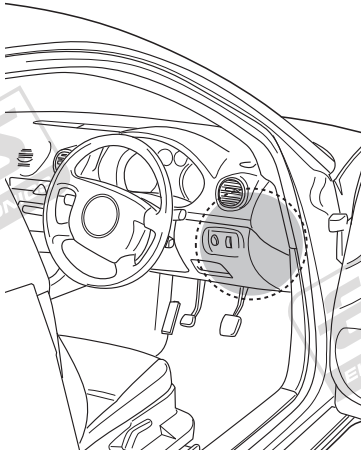


33

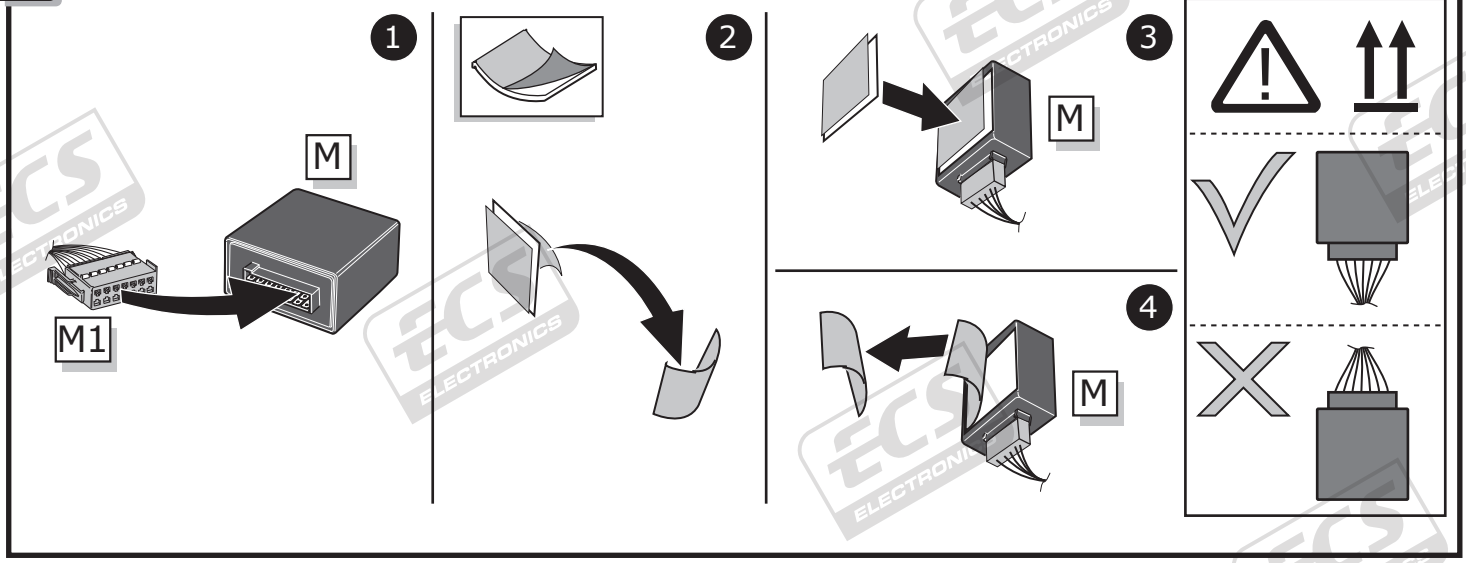
OPTION 2



34

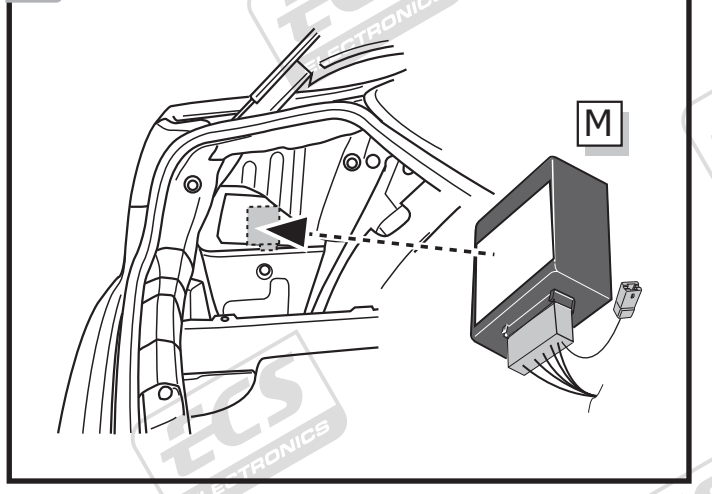


35



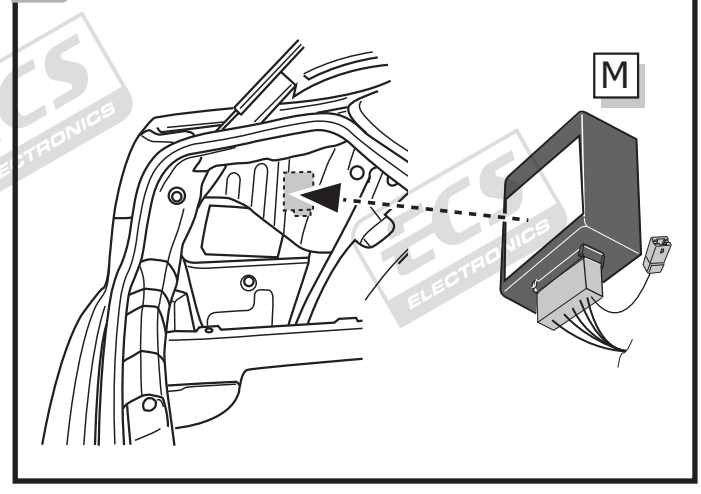
A4 Sedan / Exeo

36



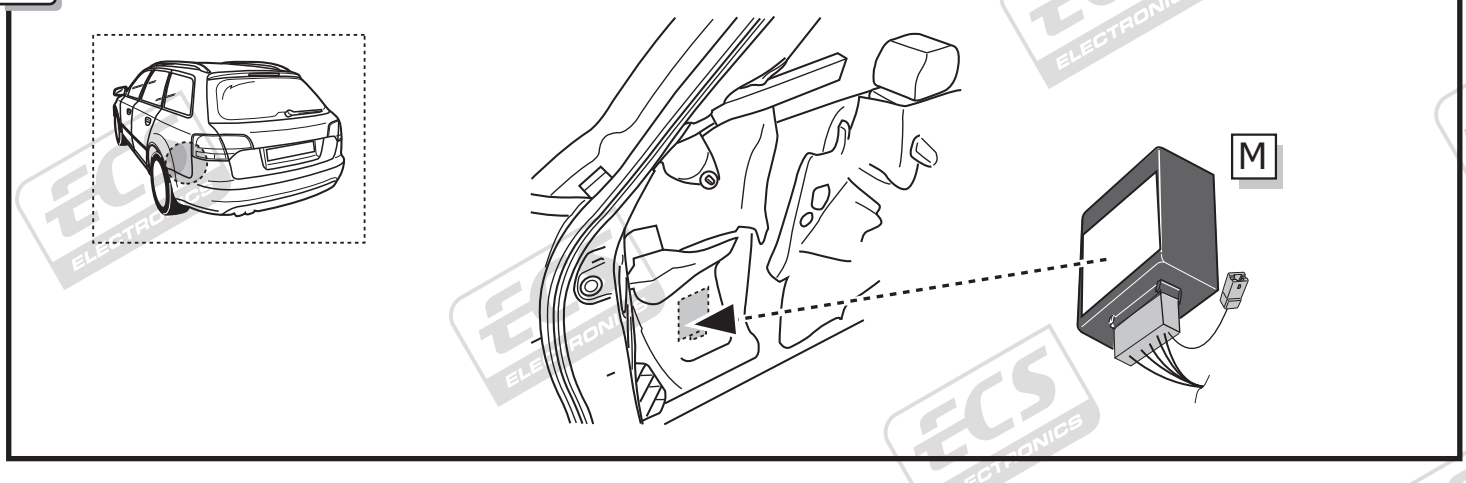
A4 Cabrio

37



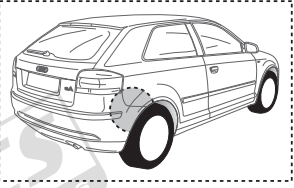
A4 Avant / Exeo ST

38

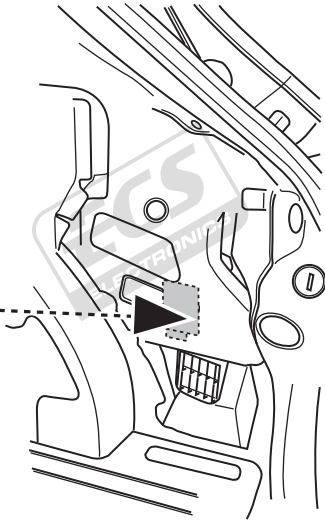
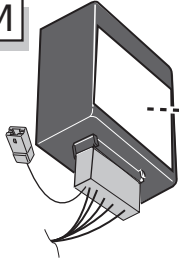


A3

39

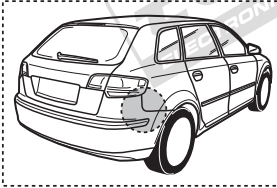


M

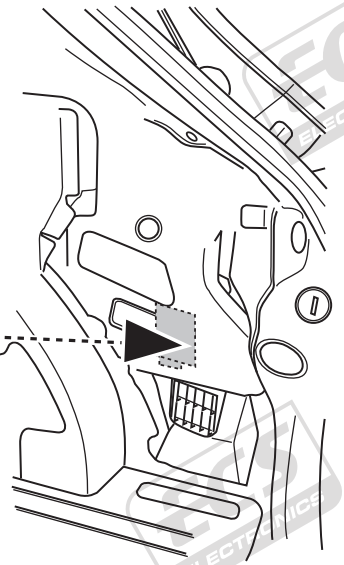
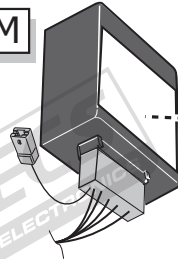


A3 Sportback

40

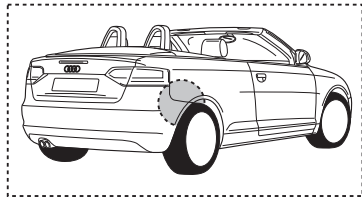


M

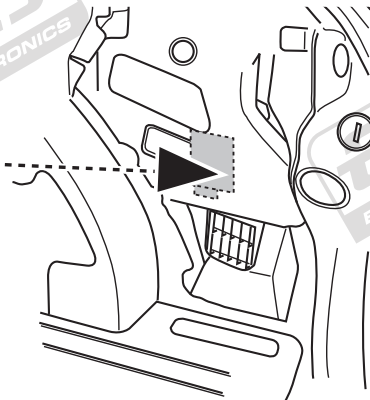
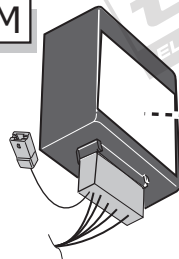


A3 Cabrio

41

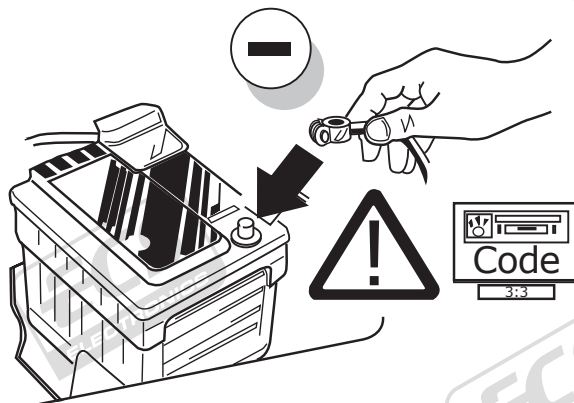


M



A4 Sedan / A4 Cabrio / A4 Avant / A3 / A3 Cabrio / A3 Sportback / Exeo / Exeo ST

42



43

A VAG Service Tester must be used to code the vehicle's Gateway with the additional function for the towing hitch at the dealer.

44

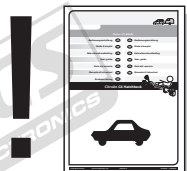
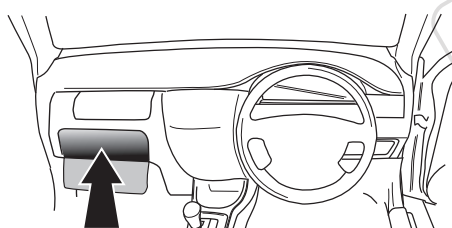


TEST ALL THE CIRCUITS WITH A TEST DEVICE WITH THE CORRECT POWER LOAD FOR EACH FUNCTION. A TEST DEVICE WITH LED'S CANNOT BE USED FOR THIS PURPOSE.

INFO

REINSTALL TRIM.

45



User guide



INFO

SOCKET CONNECTION

DIN/ISO 11446													
	1/L	2	3/31	4/R	5/58-R	6/54	7/58-L	8	9	10	11	12	13
Pmax	21W	21W		21W	42W	3x21W	42W	21W	180W/15Amp	180W/15Amp			
Colour	Black/White	Blue	Brown	Black/Green	Grey/Red	Black/Red	Grey/Black	Black	Red	Yellow	Brown	-	Brown