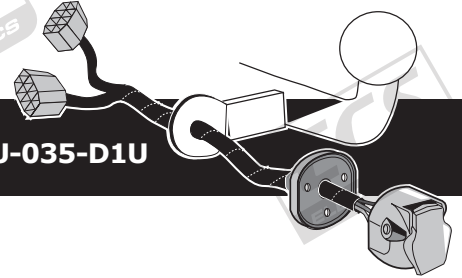


Only for Audi's with towbar preparation

## Audi Q5 (8R) 2009-

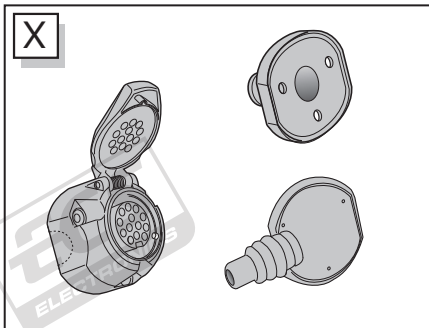
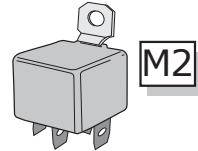
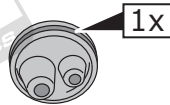
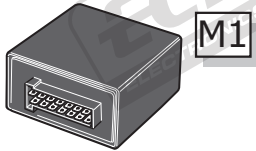
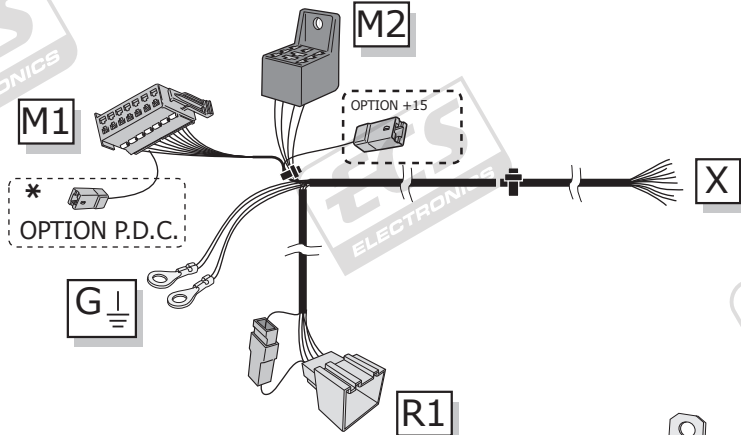
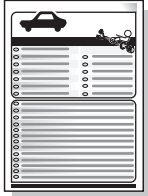
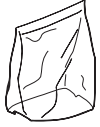
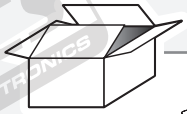
Partnr.: AU-035-D1U



- Fitting instructions electric wiring kit tow bar with 13-P socket up to DIN/ISO Norm 11446.
- We would expressly point out that assembly not carried out properly by a competent installer will result in cancellation of any right to damage compensation, in particular those arising by virtue of the product liability act.
- Contents of these kits and their fitting manuals are subject to alteration without notice, please ensure that these instructions are read and fully understood before commencing installation.
- Do not overload circuits; the maximum loads per connection are detailed in this manual.
- Attention! Before Installation, please read this manual carefully and inform your customer to consult the vehicle owners manual to check for any vehicle modifications required before towing.
- In the event of functional problems, troubleshooting must be limited to about 0.5 hours, contact the technical support:  
[t.skinner@ecs-electronics.com](mailto:t.skinner@ecs-electronics.com) / 07440 202 052.



# Part list



**Option +15**  
preparation for

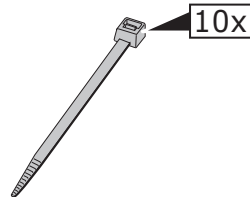
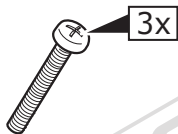
**Option! \***

PARK DISTANCE CONTROL

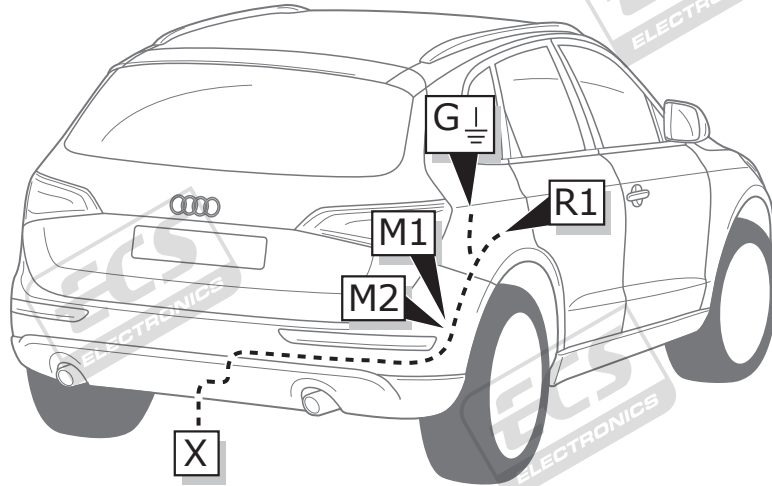
↓

PARK DISTANCE CONTROL

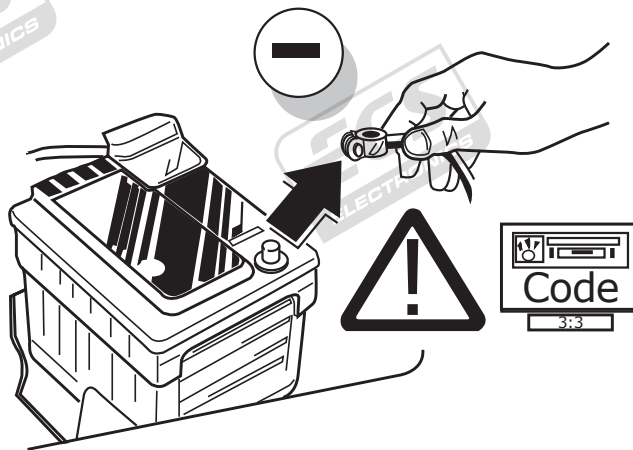
For not OEM P.D.C. System  
use the: VW-083-ZZ



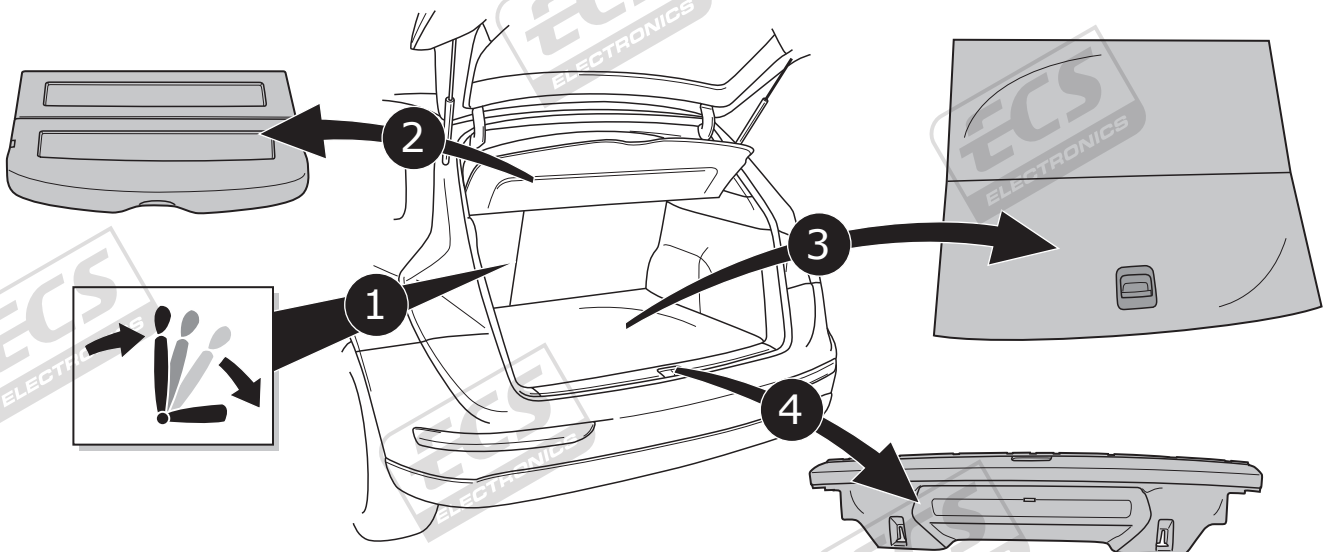
**ROUTING**



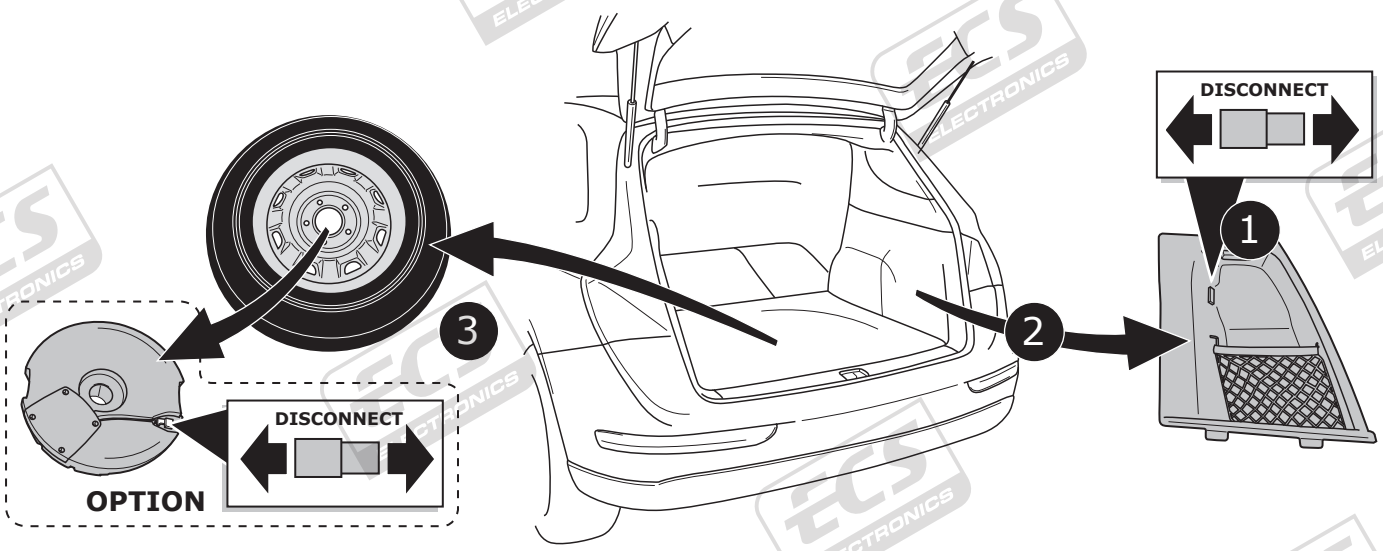
**1**



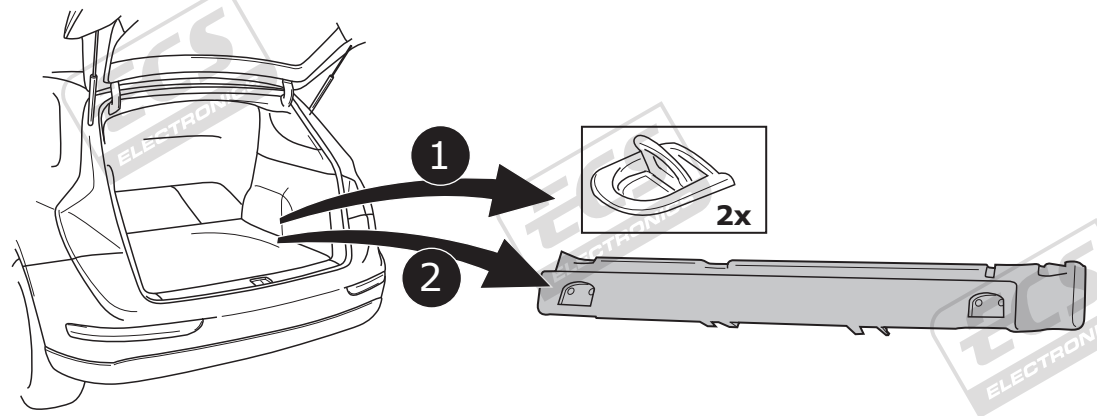
**2**



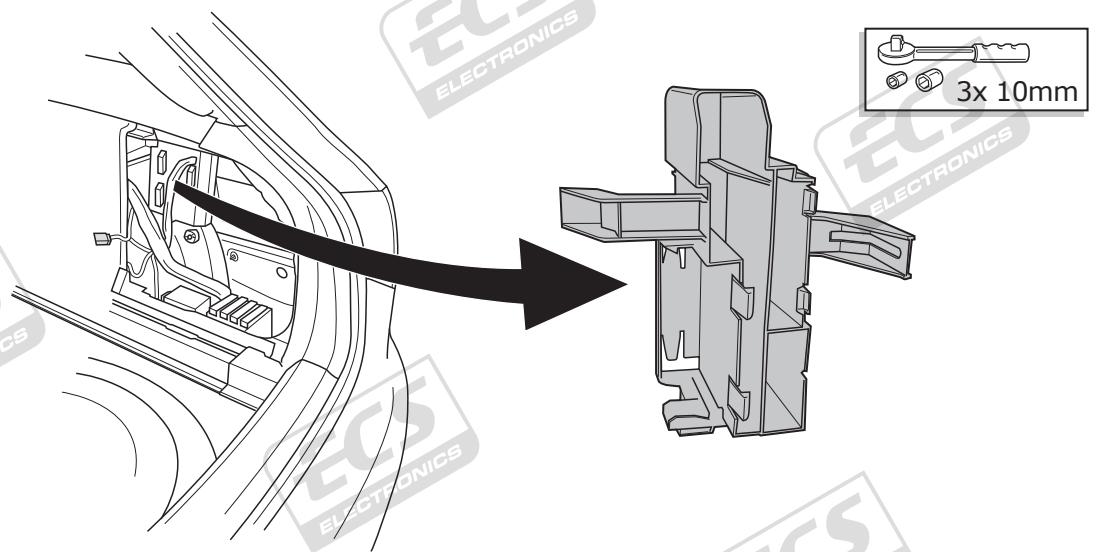
3



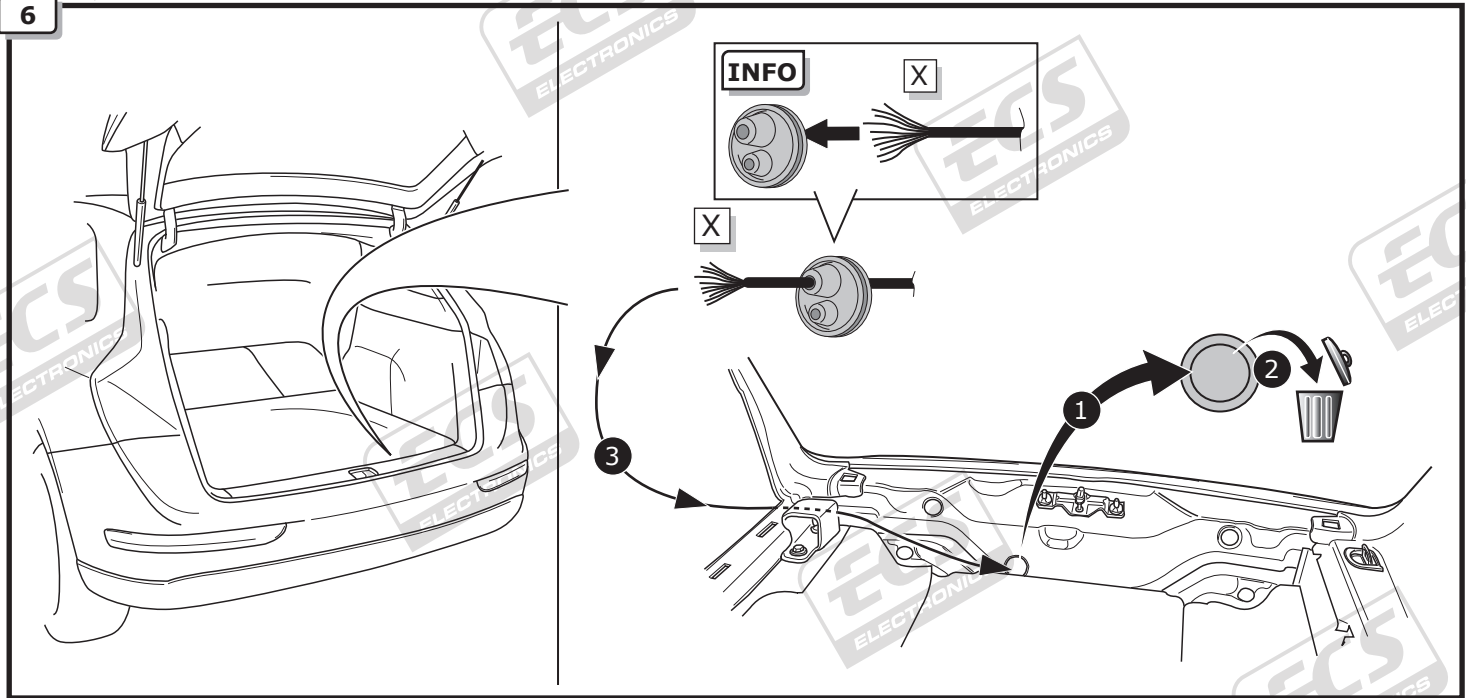
4



5

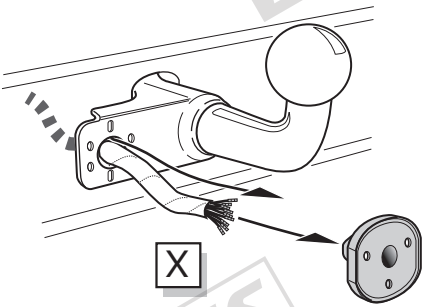


6

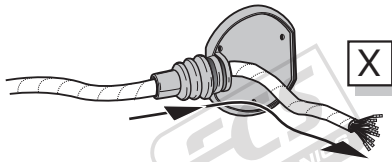


A

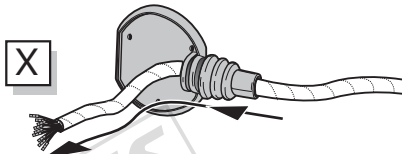
Option 1



Option 2



Option 3



INFO

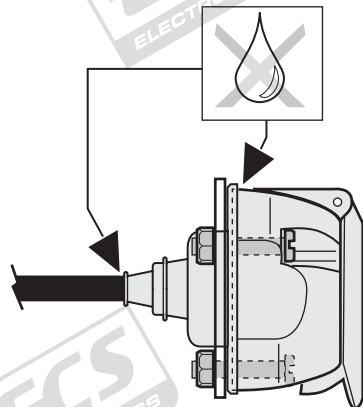
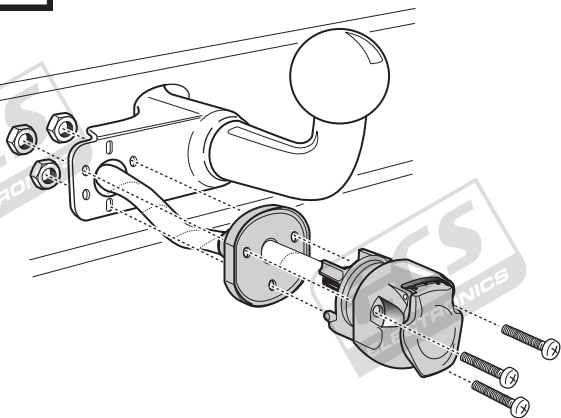
SOCKET CONNECTION



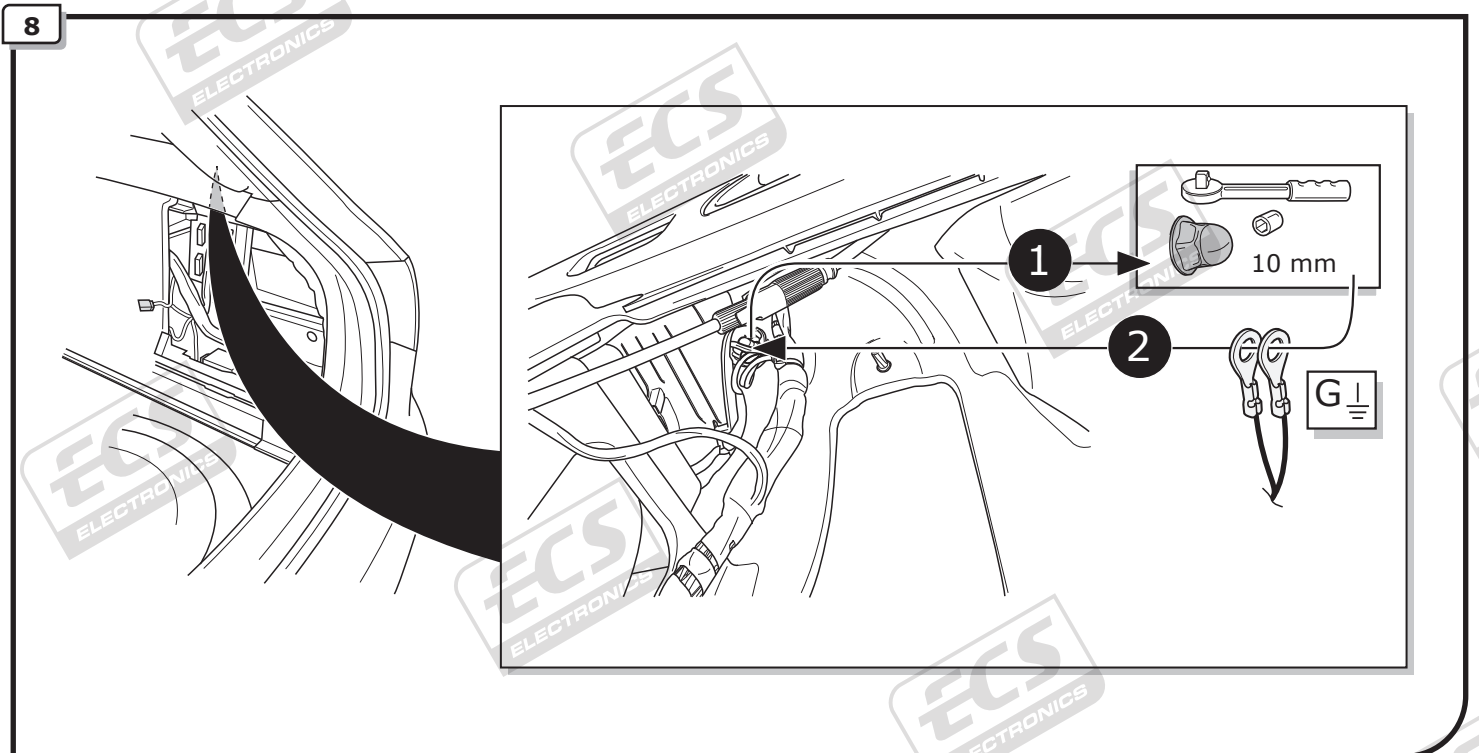
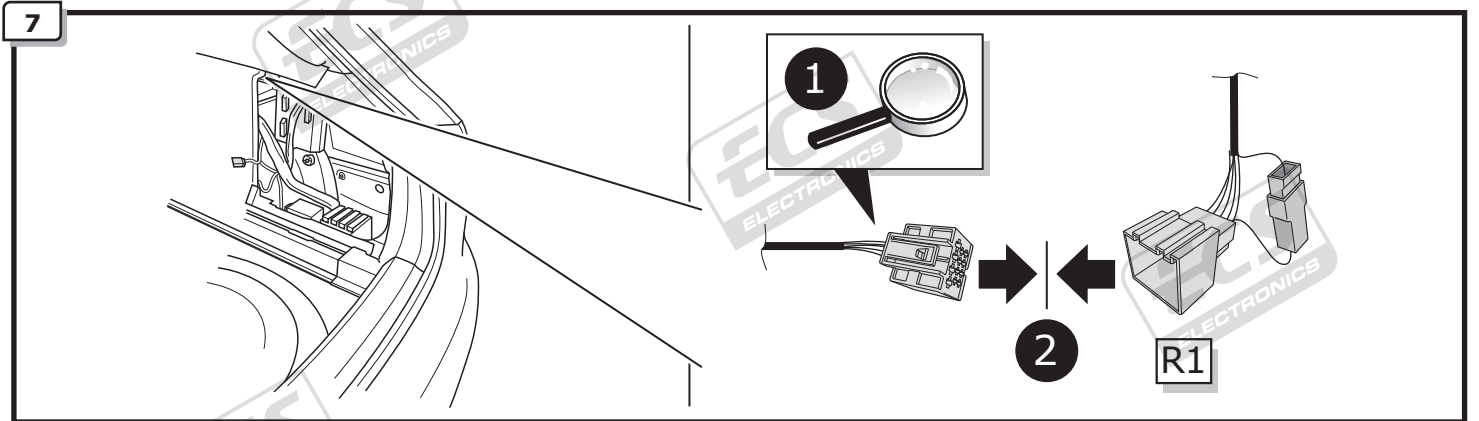
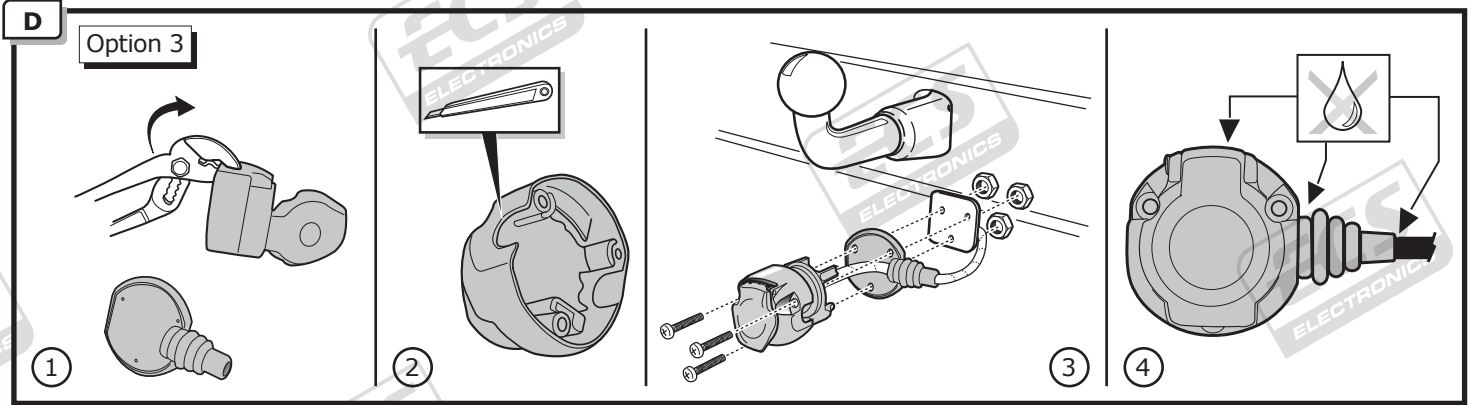
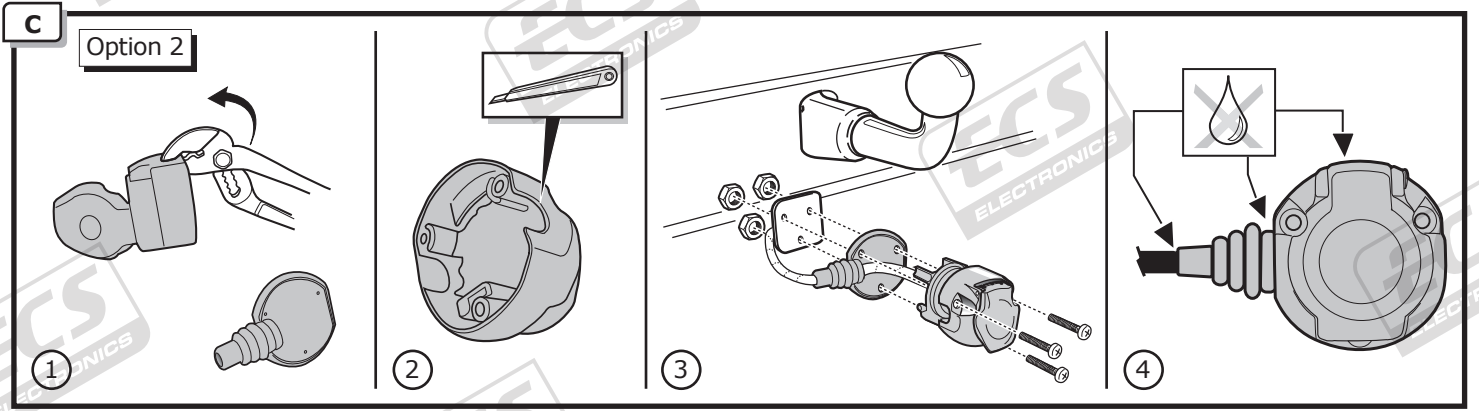
Pag. 9

B

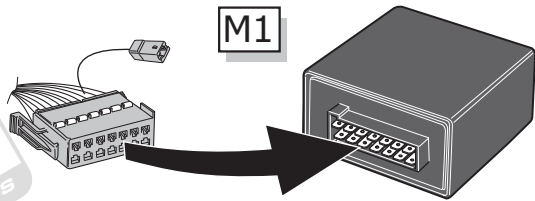
Option 1



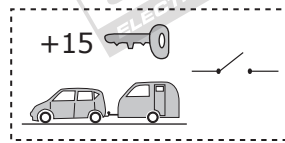




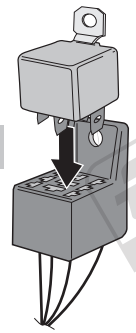
9



1

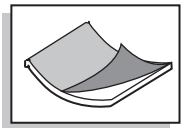


M2

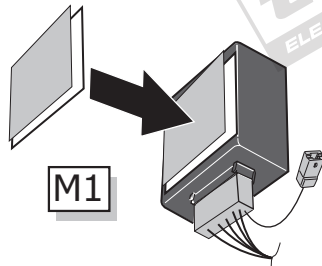
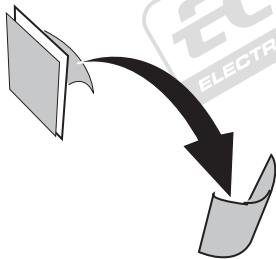


2

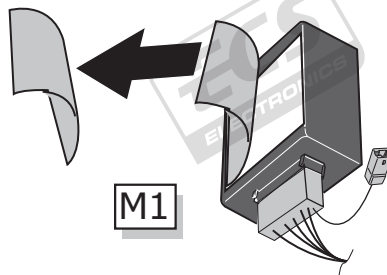
10



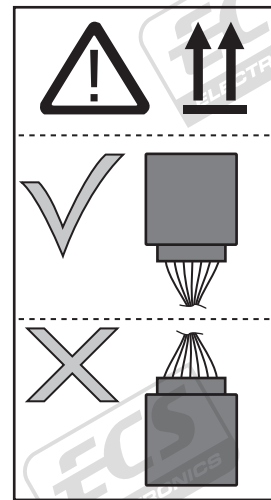
1



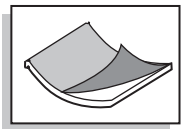
2



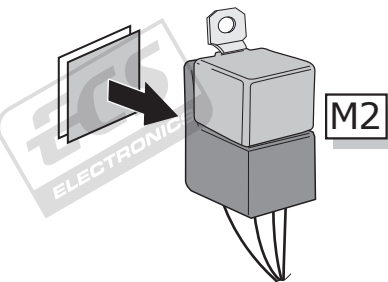
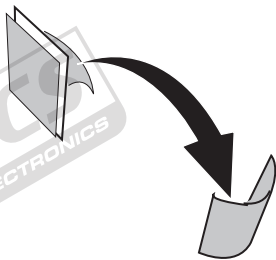
3



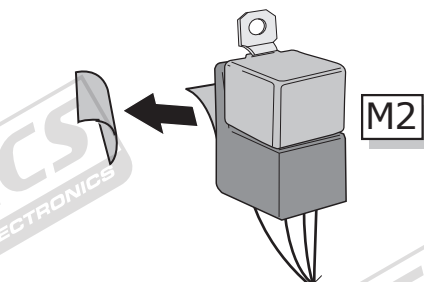
11



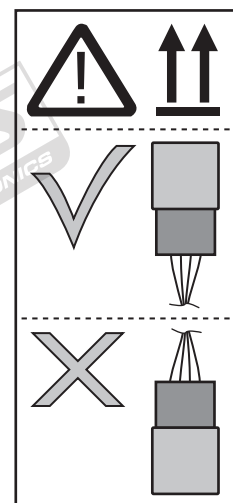
1



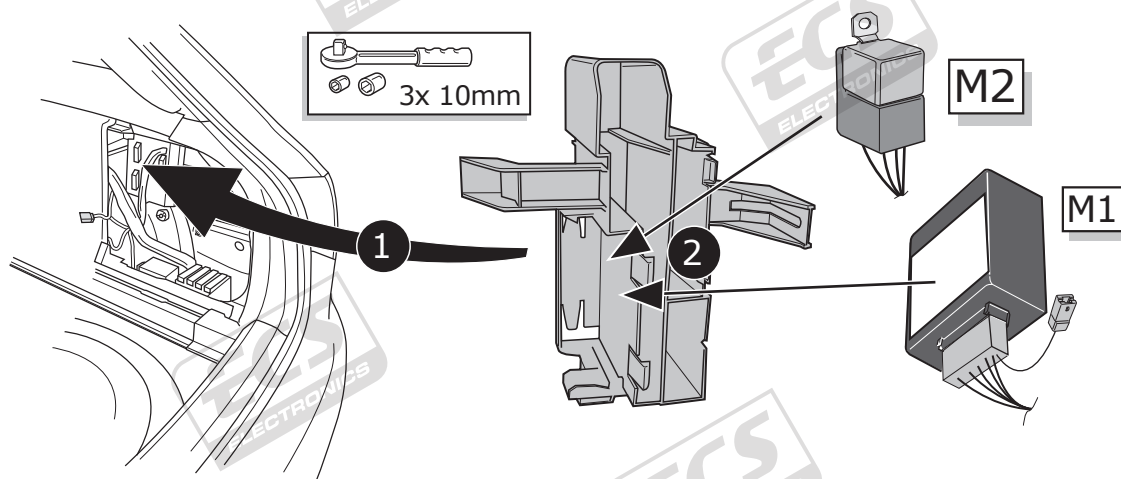
2



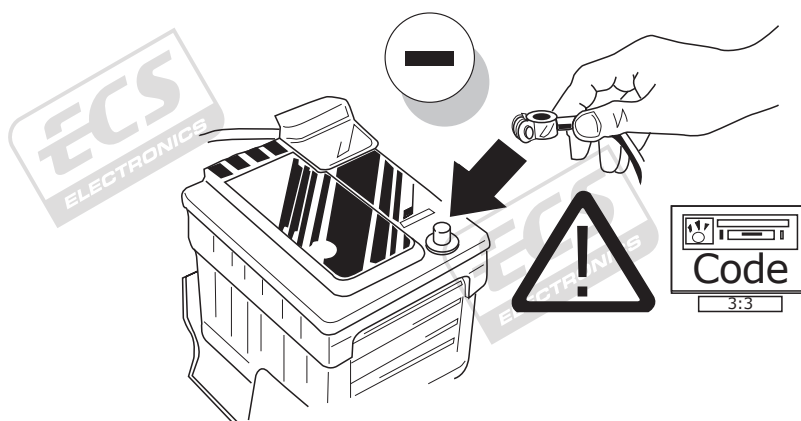
3



12



13



14

A VAG Service Tester must be used to code the vehicle's Gateway with the additional function for the towing hitch at the dealer.

15

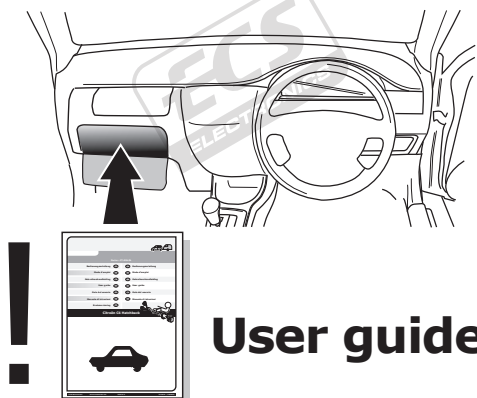
**!** TEST ALL THE CIRCUITS WITH A TEST DEVICE WITH THE CORRECT POWER LOAD FOR EACH FUNCTION. A TEST DEVICE WITH LED'S CANNOT BE USED FOR THIS PURPOSE.



**INFO**

REINSTALL TRIM.

**16**



**INFO**

SOCKET CONNECTION

DIN/ISO 11446													
	1/L	2	3/31	4/R	5/58-R	6/54	7/58-L	8	9	10	11	12	13
Pmax	21W	21W		21W	42W	3x21W	42W	21W	180W/15Amp	180W/15Amp			
Colour	Black/White	Blue	Brown	Black/Green	Grey/Red	Black/Red	Grey/Black	Black	Red	Yellow	Brown	-	Brown