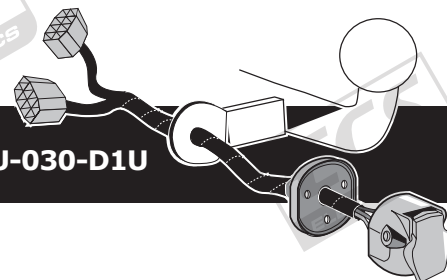


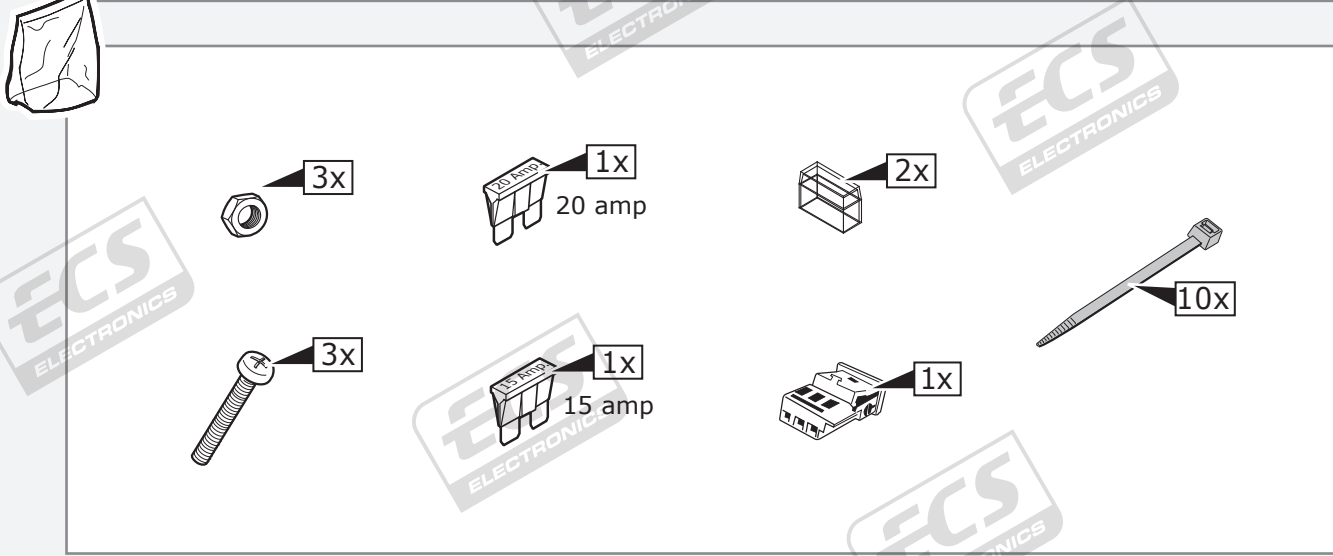
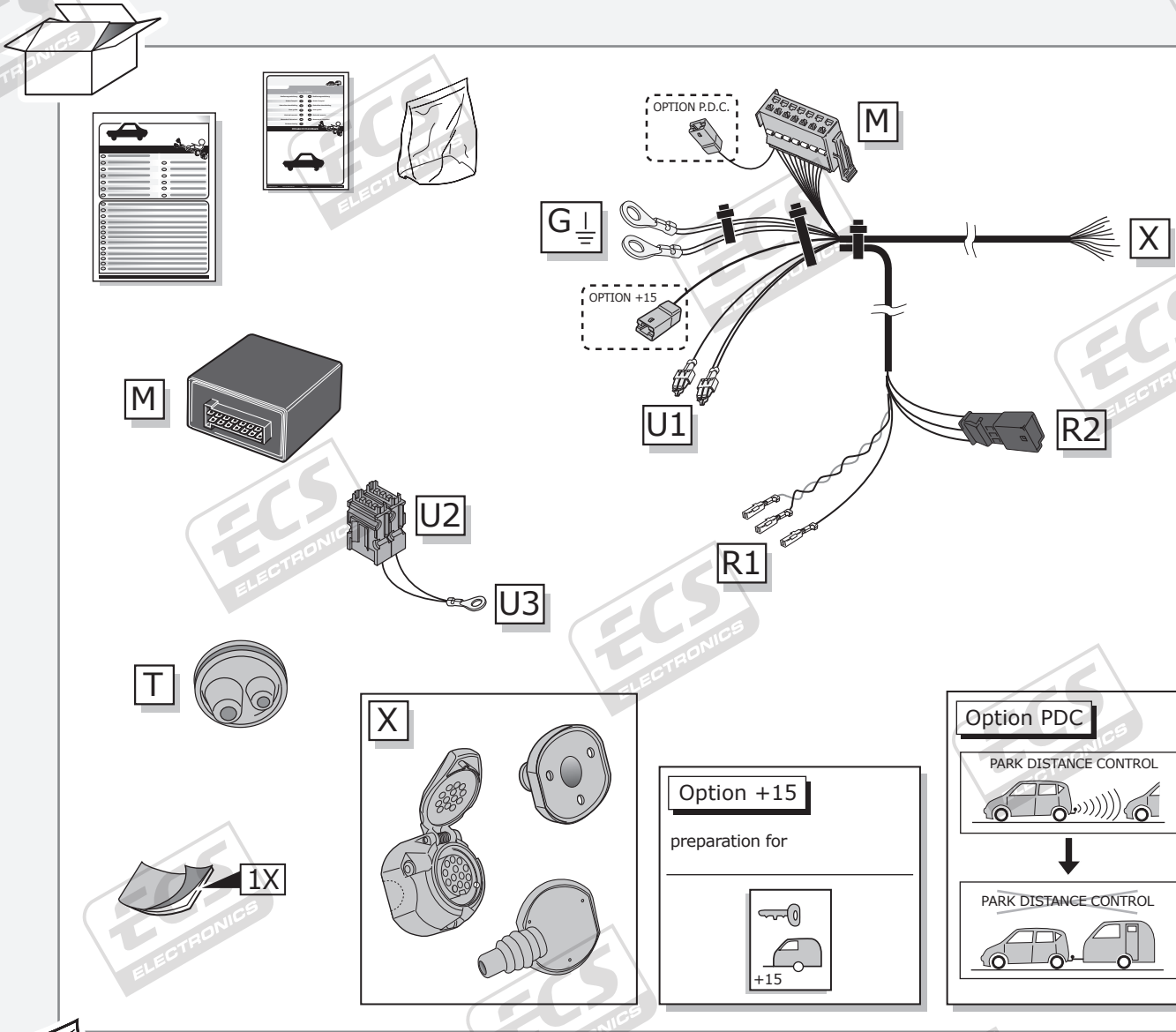
AUDI A6 Limo / A6 Avant / A6 Allroad Partnr.: AU-030-D1U



- Fitting instructions electric wiring kit tow bar with 13-P socket up to DIN/ISO Norm 11446.
- We would expressly point out that assembly not carried out properly by a competent installer will result in cancellation of any right to damage compensation, in particular those arising by virtue of the product liability act.
- Contents of these kits and their fitting manuals are subject to alteration without notice, please ensure that these instructions are read and fully understood before commencing installation.
- Do not overload circuits; the maximum loads per connection are detailed in this manual.
- Attention! Before Installation, please read this manual carefully and inform your customer to consult the vehicle owners manual to check for any vehicle modifications required before towing.
- In the event of functional problems, troubleshooting must be limited to about 0.5 hours, contact the technical support:
t.skinner@ecs-electronics.com / 07440 202 052.



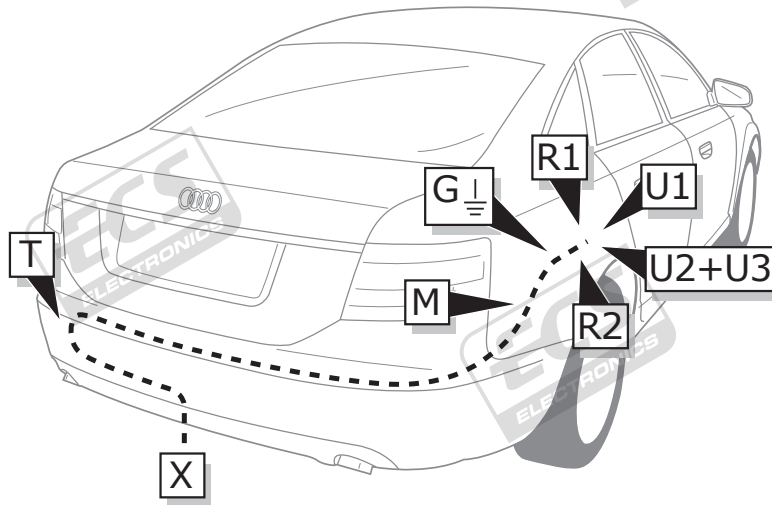
Part list



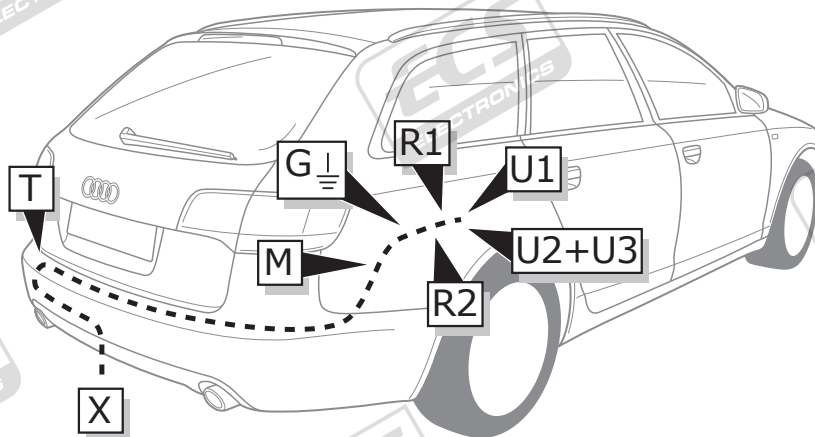
LIMO & AVANT & ALLROAD

ROUTING

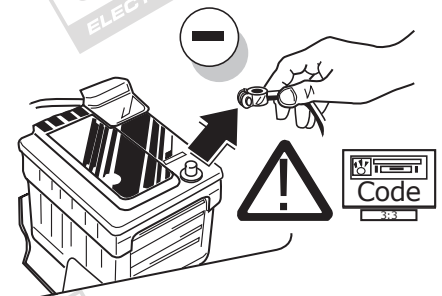
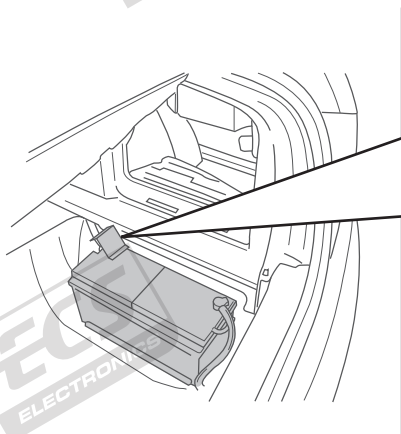
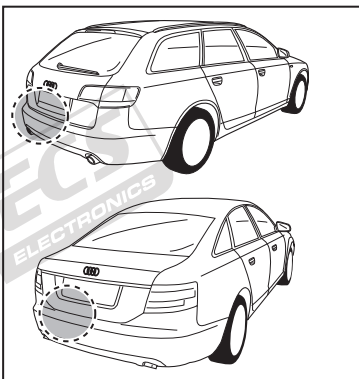
LIMO



AVANT & ALLROAD

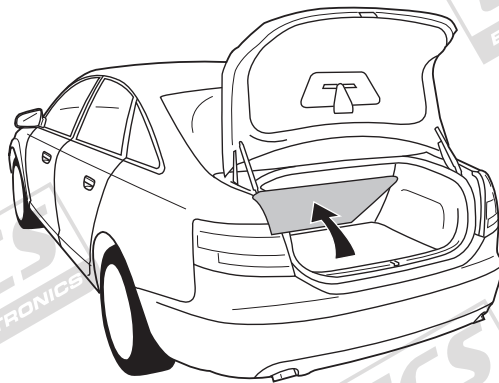


1



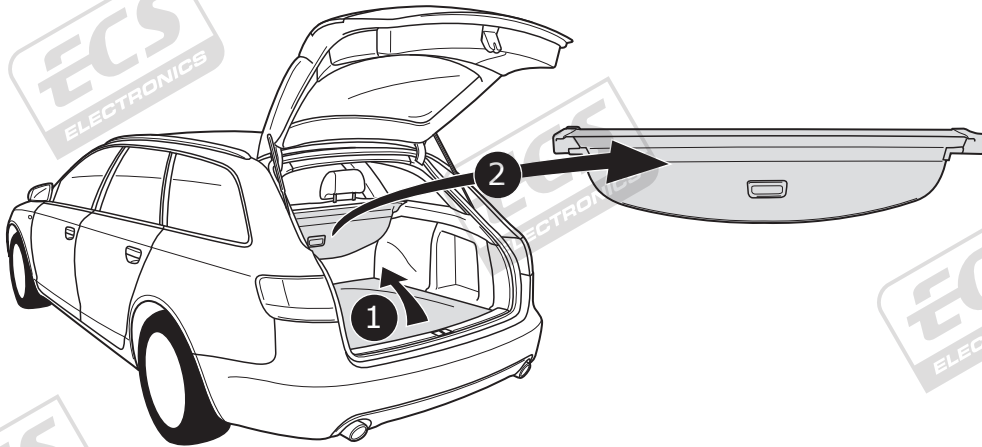
LIMO

2



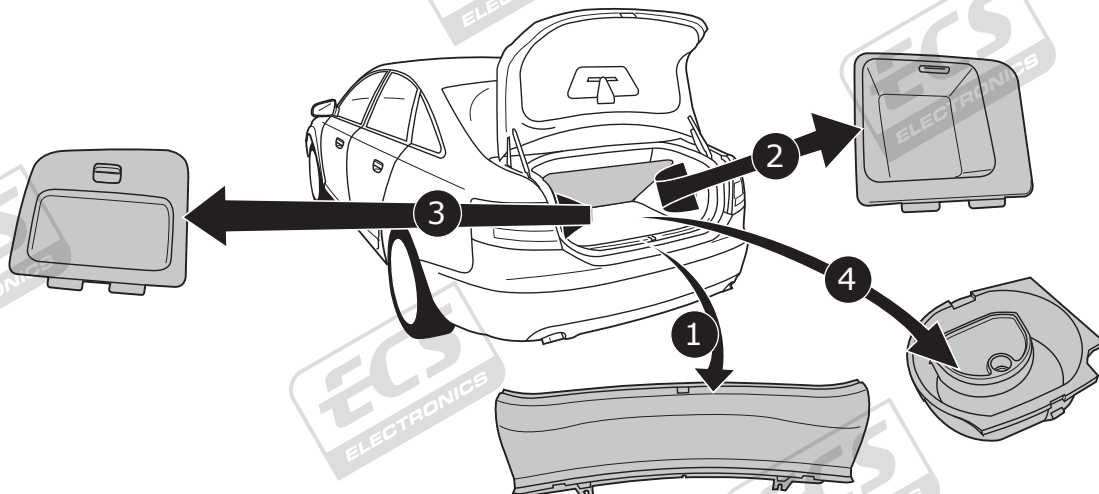
AVANT & ALLROAD

3



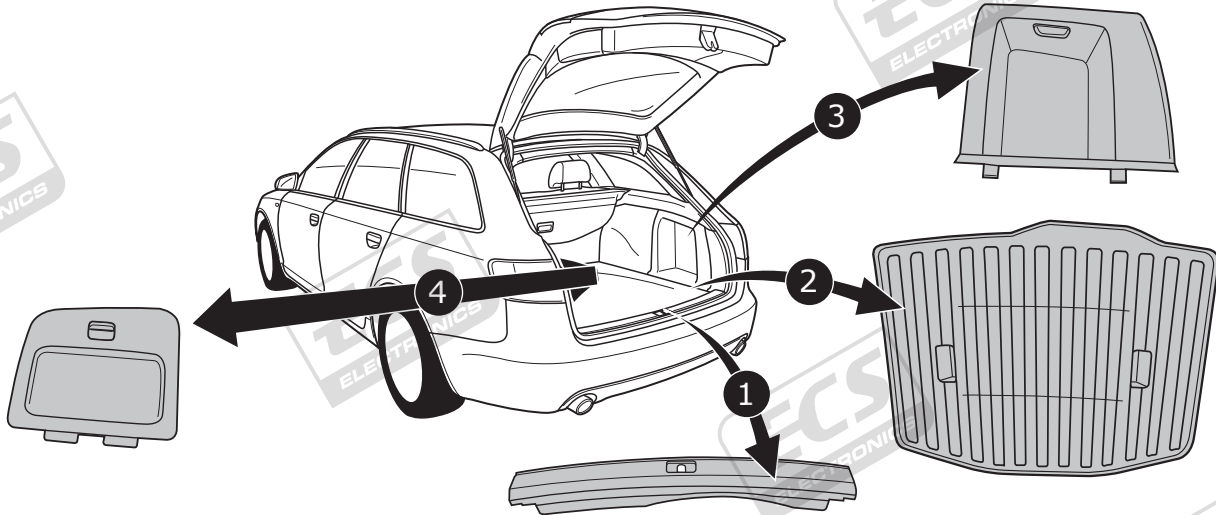
LIMO

4



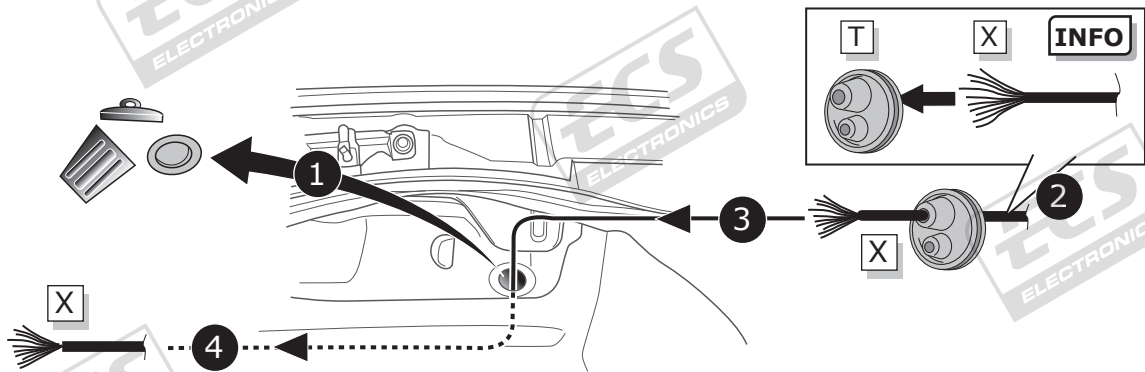
AVANT & ALLROAD

5



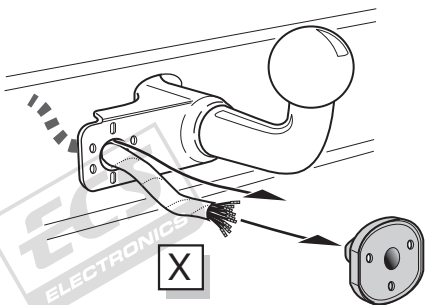
LIMO & AVANT & ALLROAD

6

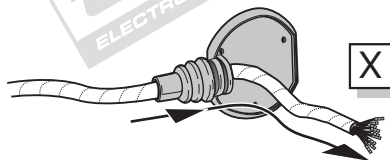


A

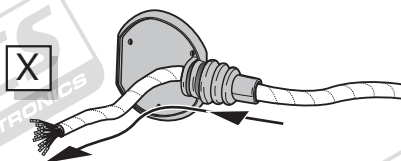
Option 1



Option 2



Option 3



INFO

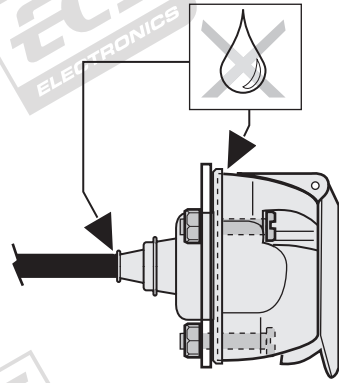
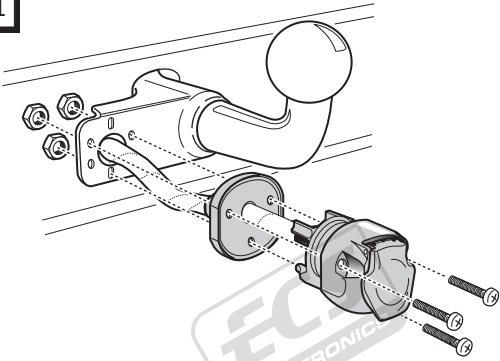
SOCKET CONNECTION



Pag. 12

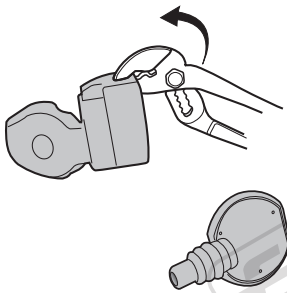
LIMO & AVANT & ALLROAD

B Option 1

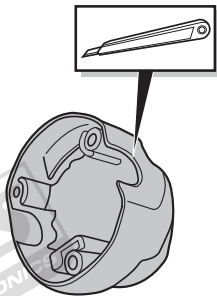


C Option 2

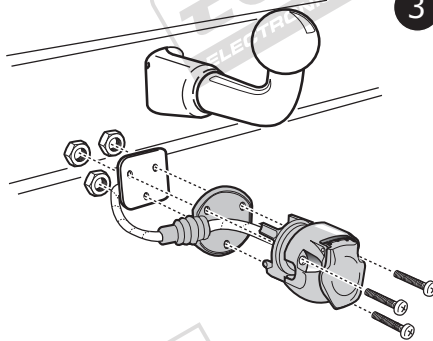
1



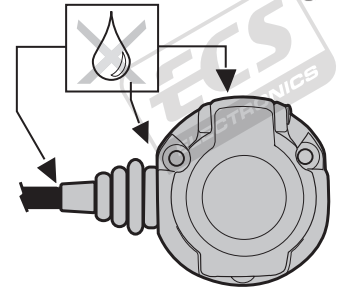
2



3

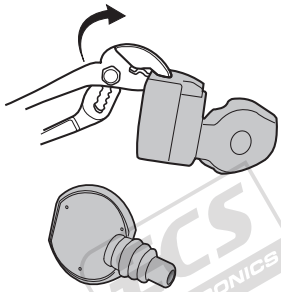


4

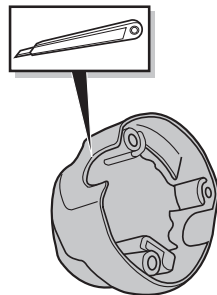


D Option 3

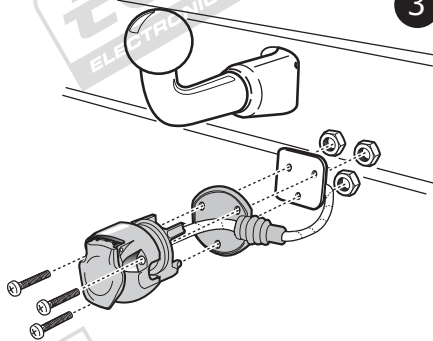
1



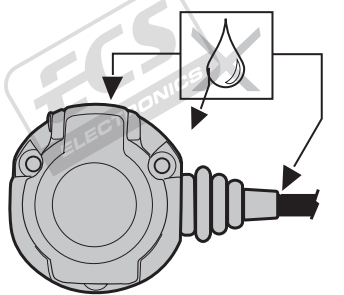
2



3

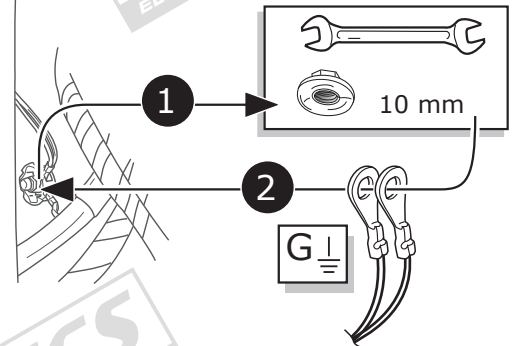
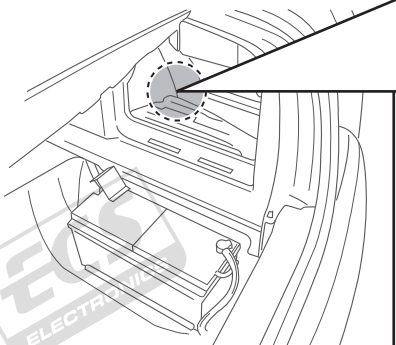
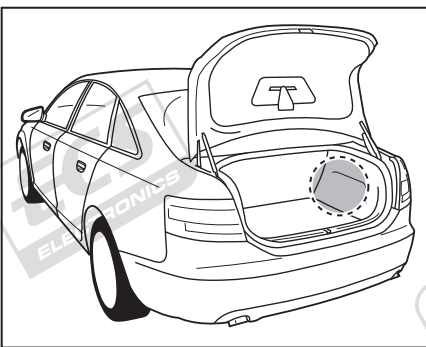


4



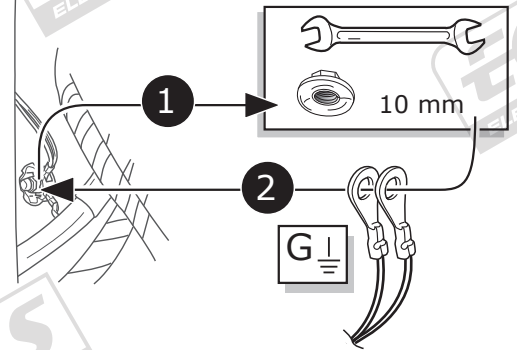
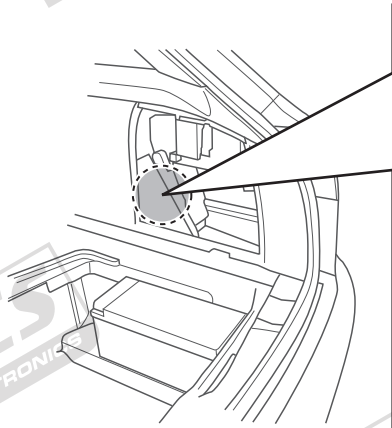
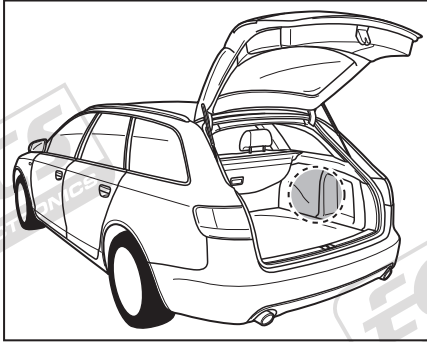
LIMO

7



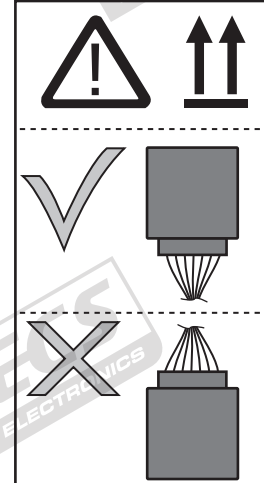
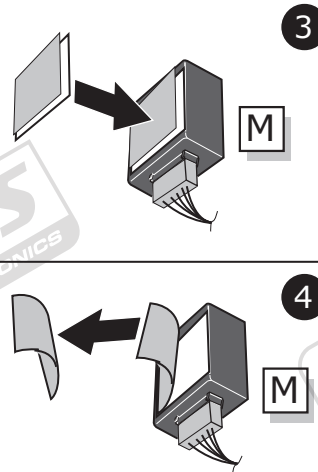
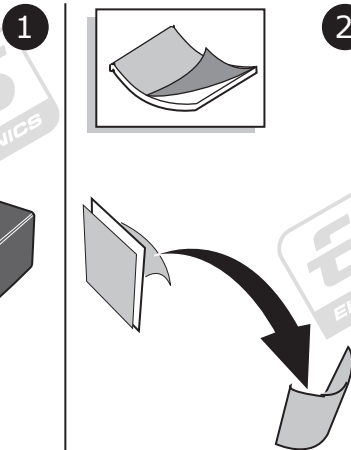
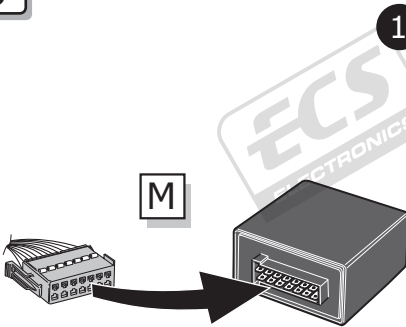
AVANT & ALLROAD

8



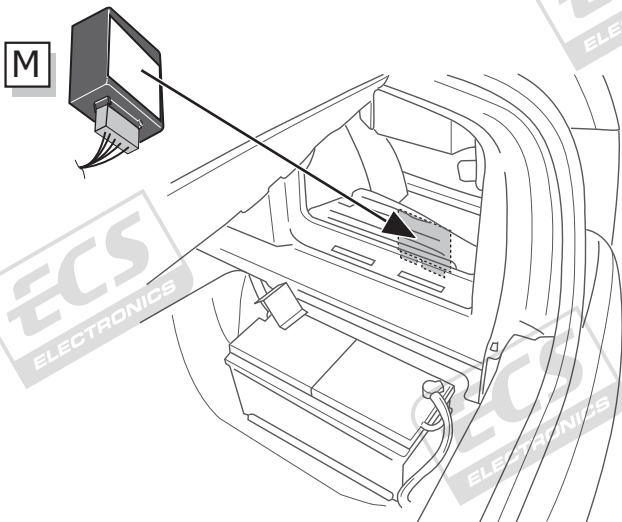
LIMO & AVANT & ALLROAD

9



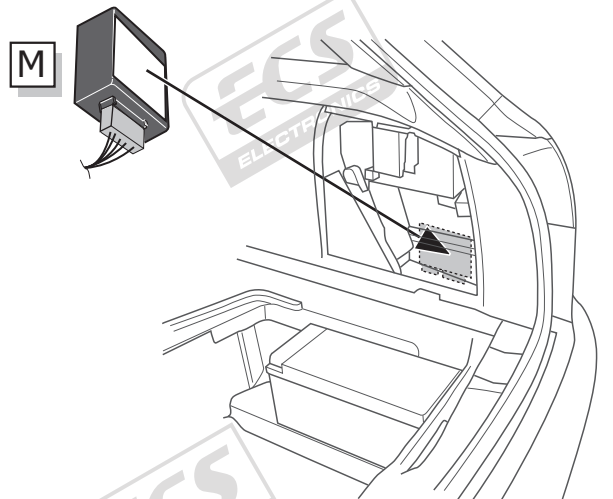
LIMO

10



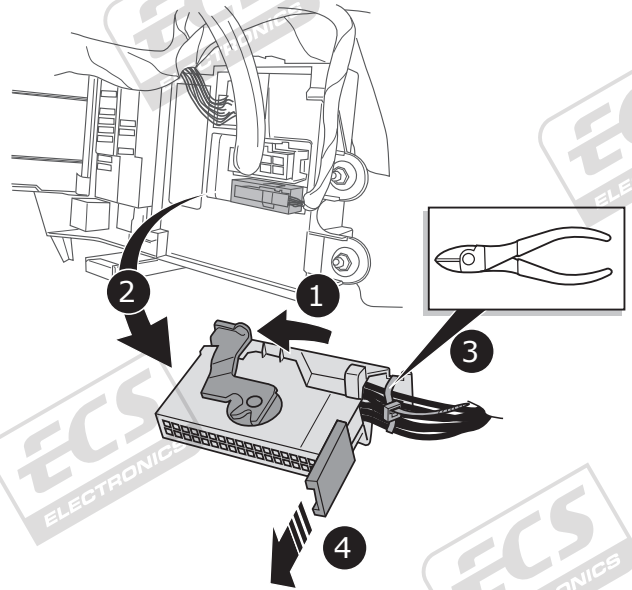
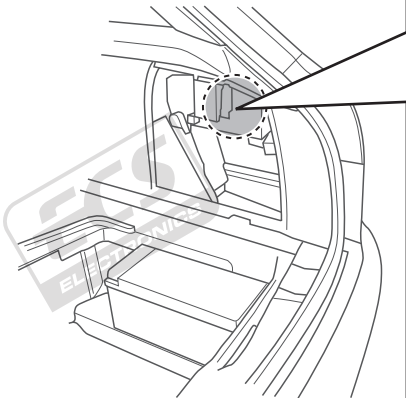
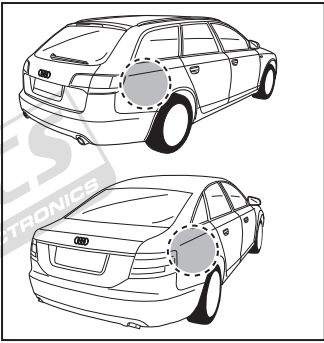
AVANT & ALLROAD

11

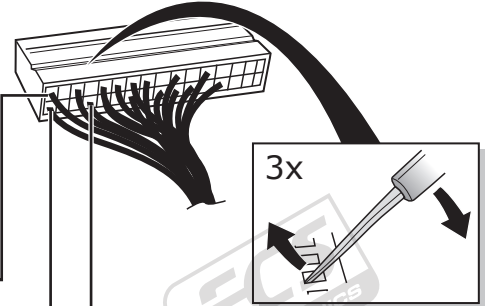
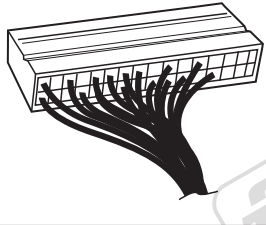
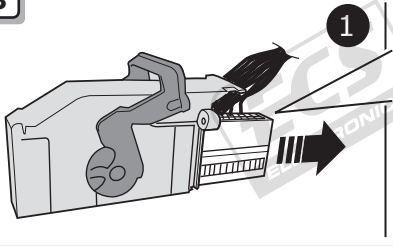


LIMO & AVANT & ALLROAD

12



13

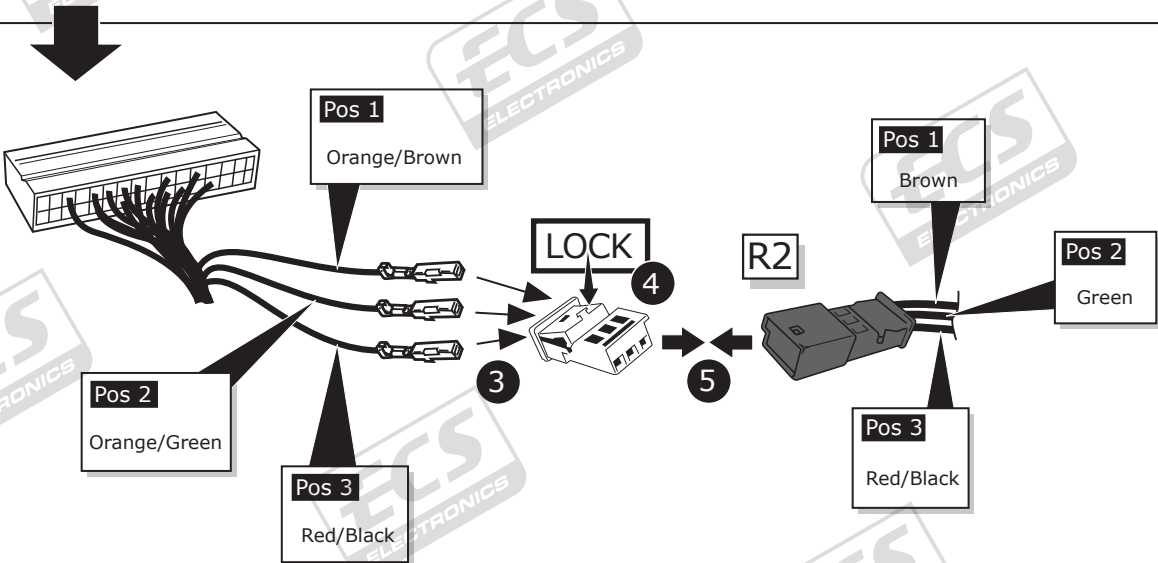


Pos 1
Orange/Brown

Can-bus
Datawire

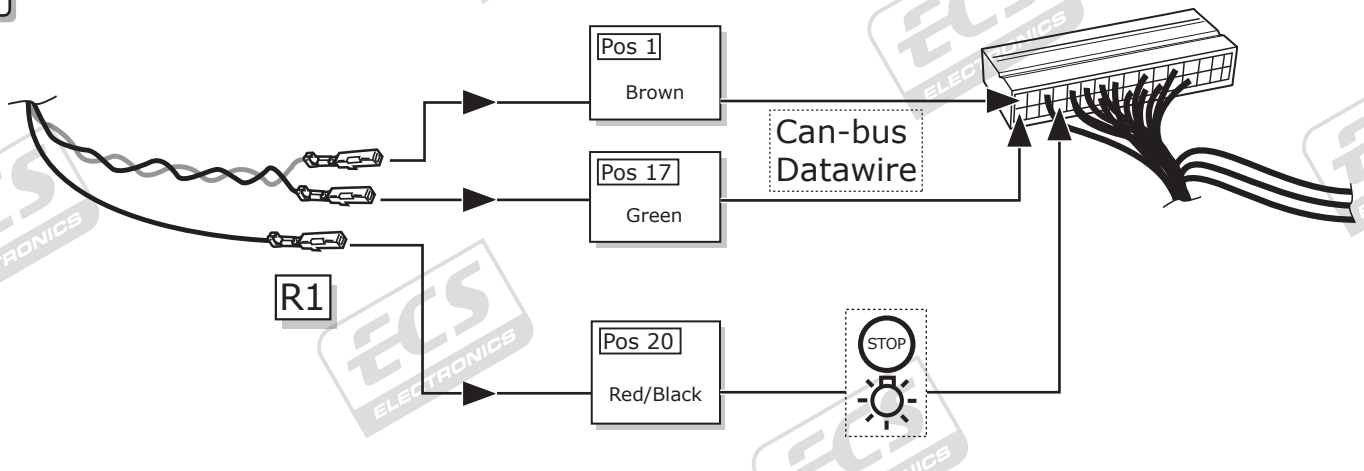
Pos 17
Orange/Green

Pos 20
Red/Black

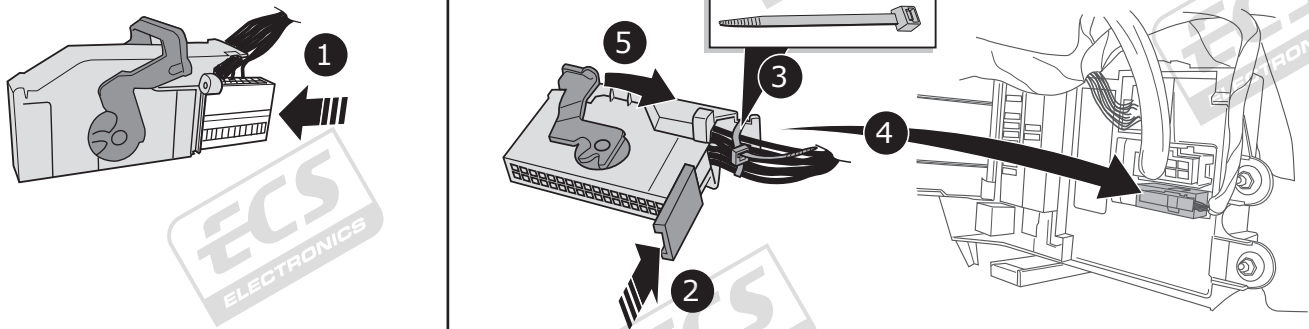


LIMO & AVANT & ALLROAD

14

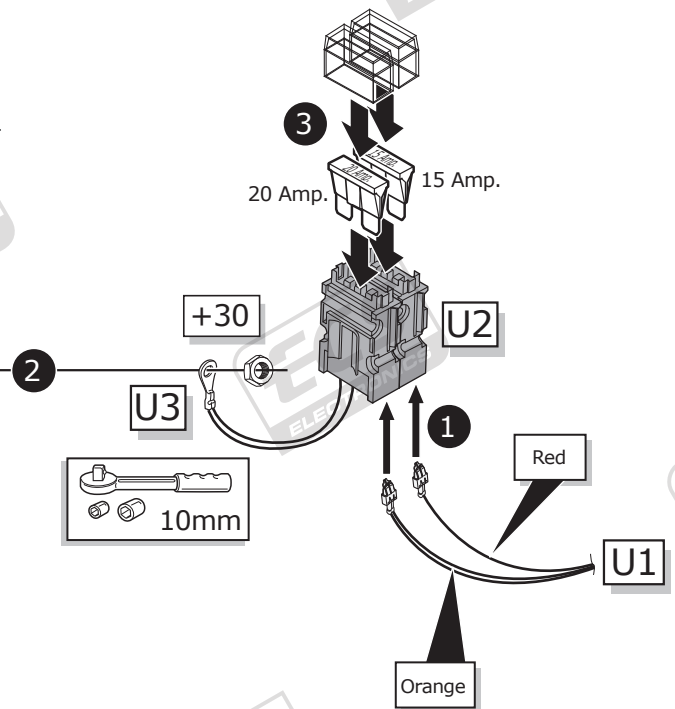
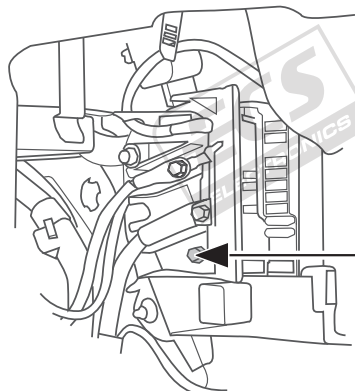
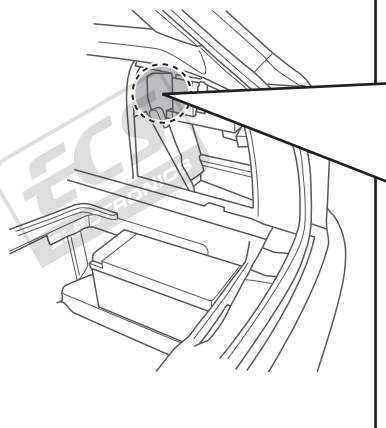
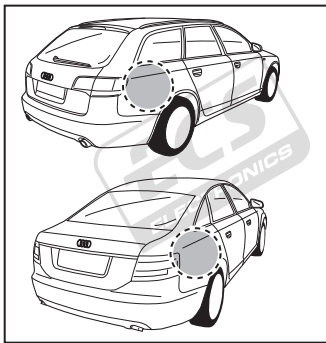


15



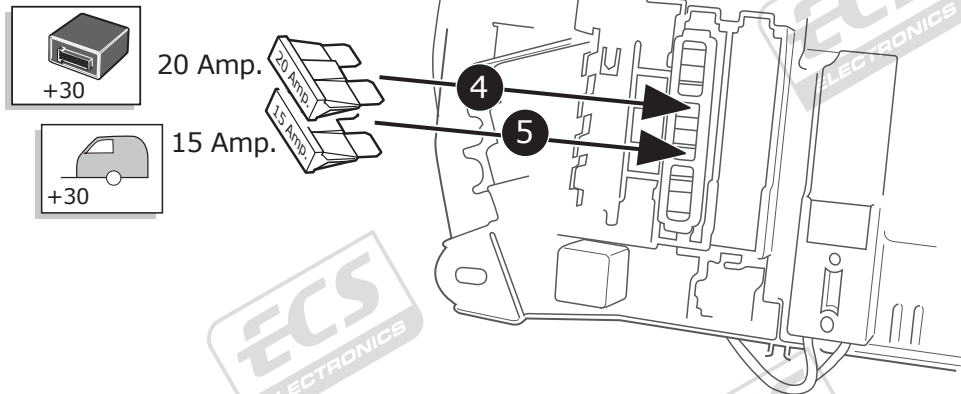
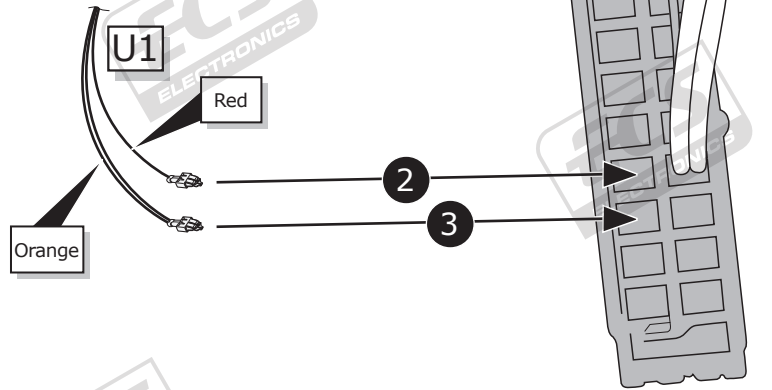
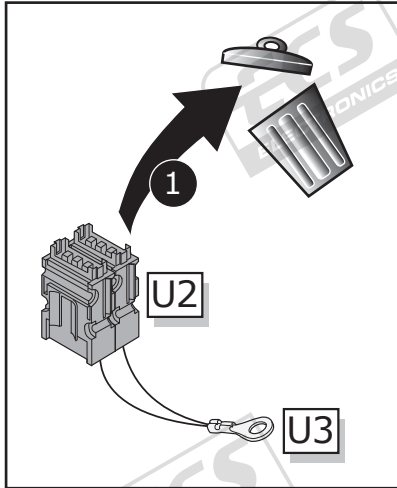
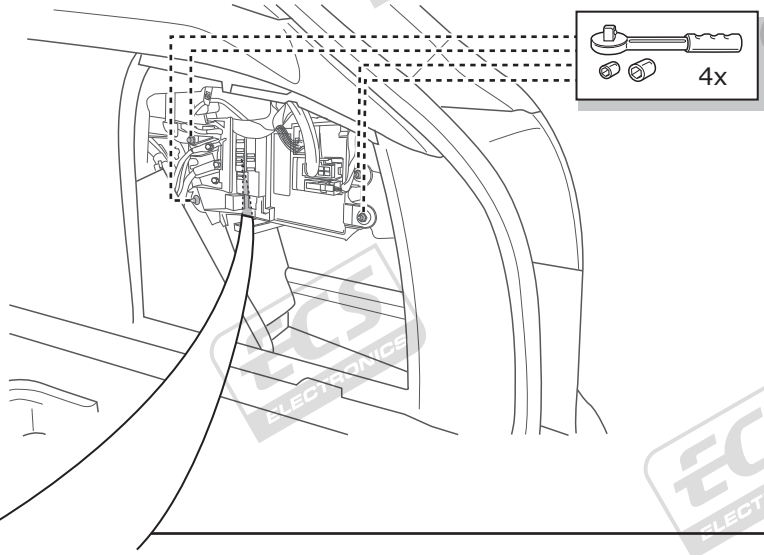
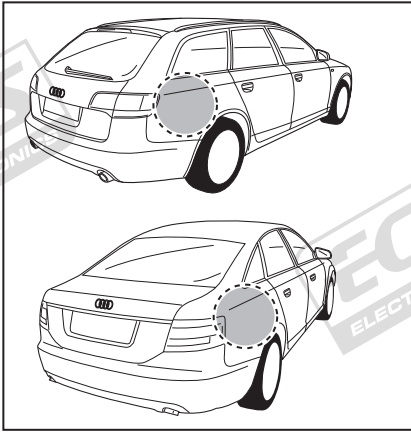
16

-2007



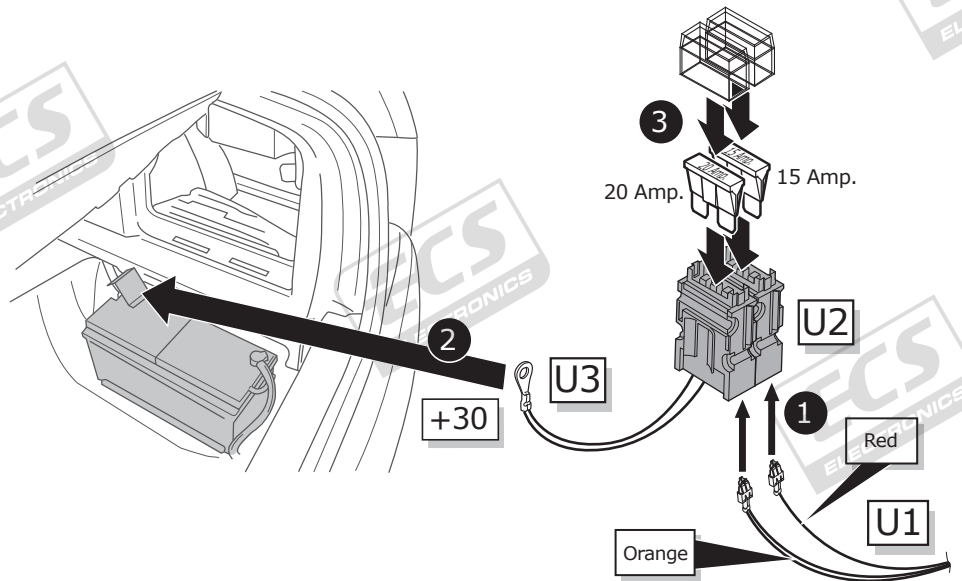
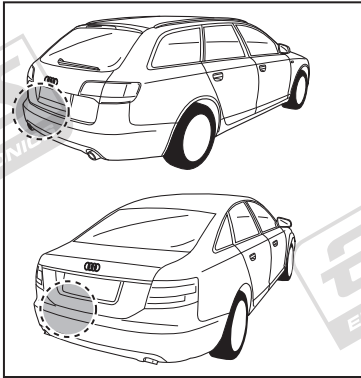
17

2007- OPTION 1: use free Positions

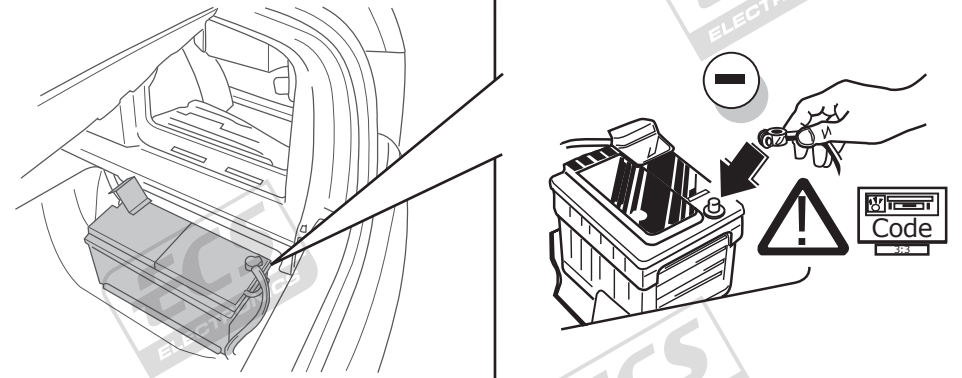
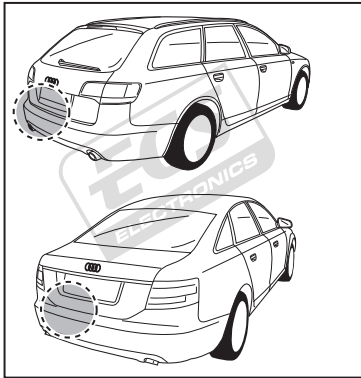


18

2007- OPTION 2: if all Positions are taken



19



20

A VAG Service Tester must be used to code the vehicle's Gateway with the additional function for the towing hitch at the dealer.

LIMO & AVANT & ALLROAD

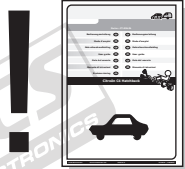
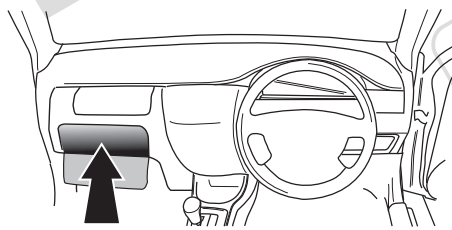
21

! TEST ALL THE CIRCUITS WITH A TEST DEVICE WITH THE CORRECT POWER LOAD FOR EACH FUNCTION. A TEST DEVICE WITH LED'S CANNOT BE USED FOR THIS PURPOSE.

INFO

REINSTALL TRIM.

22



User guide



INFO

SOCKET CONNECTION

| DIN/ISO 11446 | | | | | | | | | | | | | |
|---------------|-------------|------|-------|-------------|----------|-----------|------------|-------|------------|------------|-------|----|-------|
| | 1/L | 2 | 3/31 | 4/R | 5/58-R | 6/54 | 7/58-L | 8 | 9 | 10 | 11 | 12 | 13 |
| Pmax | 21W | 21W | | 21W | 42W | 3x21W | 42W | 21W | 180W/15Amp | 180W/15Amp | | | |
| Colour | Black/White | Blue | Brown | Black/Green | Grey/Red | Black/Red | Grey/Black | Black | Red | Yellow | Brown | - | Brown |