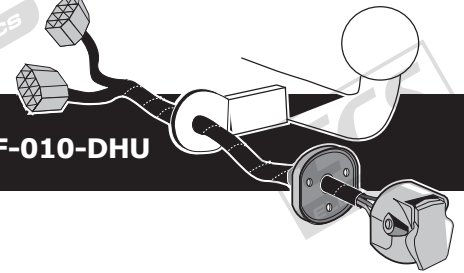


Alfa Romeo MiTo 2008-

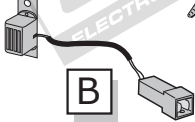
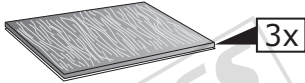
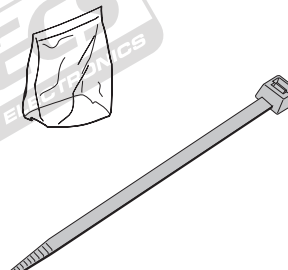
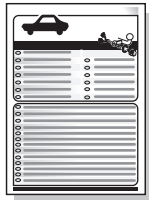
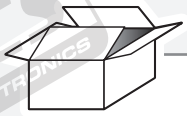
Partnr.: AF-010-DHU



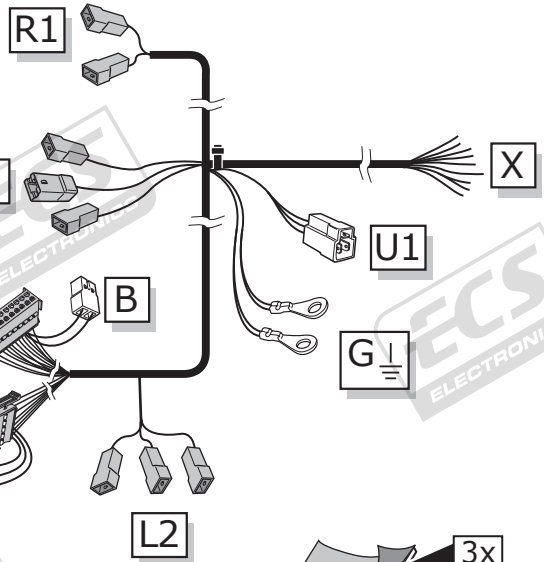
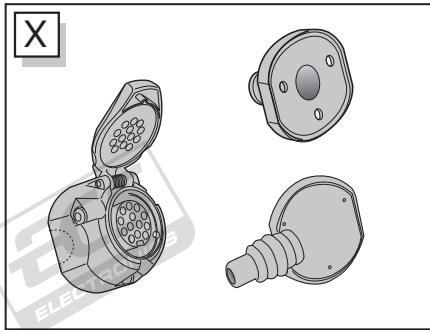
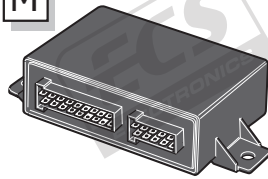
- Fitting instructions electric wiring kit tow bar with 13-P socket up to DIN/ISO Norm 11446.
- We would expressly point out that assembly not carried out properly by a competent installer will result in cancellation of any right to damage compensation, in particular those arising by virtue of the product liability act.
- Contents of these kits and their fitting manuals are subject to alteration without notice, please ensure that these instructions are read and fully understood before commencing installation.
- Do not overload circuits; the maximum loads per connection are detailed in this manual.
- Attention! Before Installation, please read this manual carefully and inform your customer to consult the vehicle owners manual to check for any vehicle modifications required before towing.
- In the event of functional problems, troubleshooting must be limited to about 0.5 hours, contact the technical support:
t.skinner@ecs-electronics.com / 07440 202 052.



Part list



M



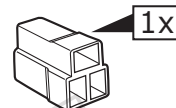
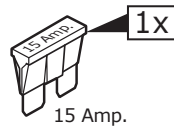
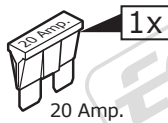
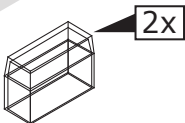
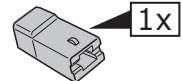
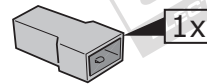
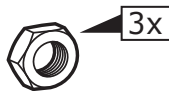
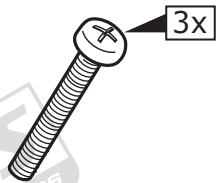
Option! *

PARK DISTANCE CONTROL

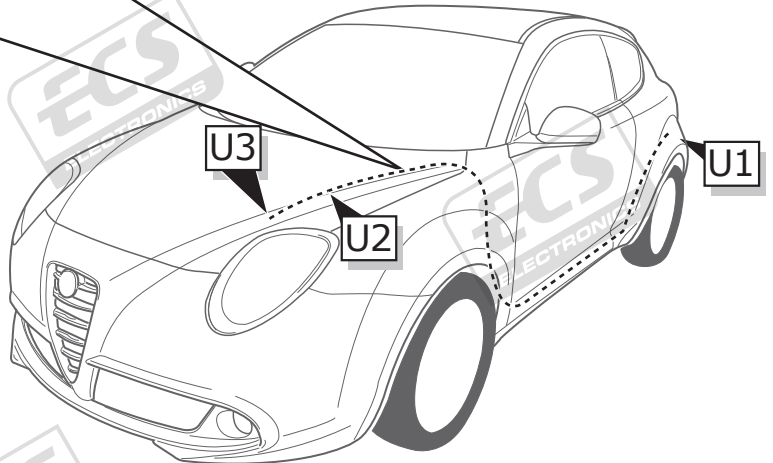
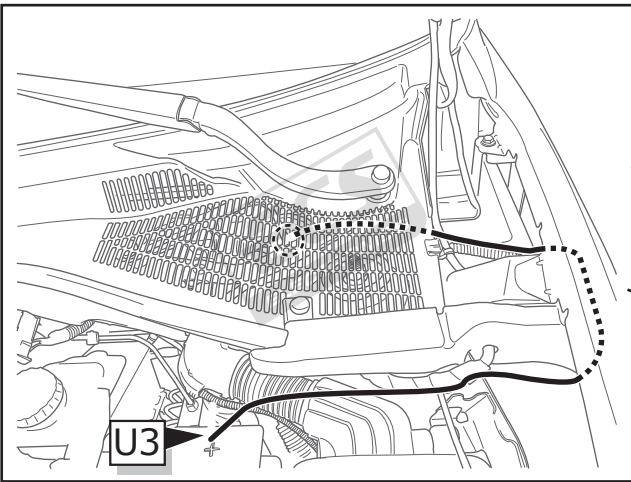
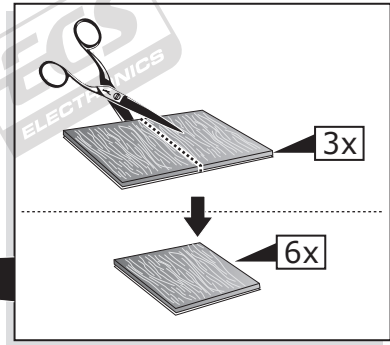
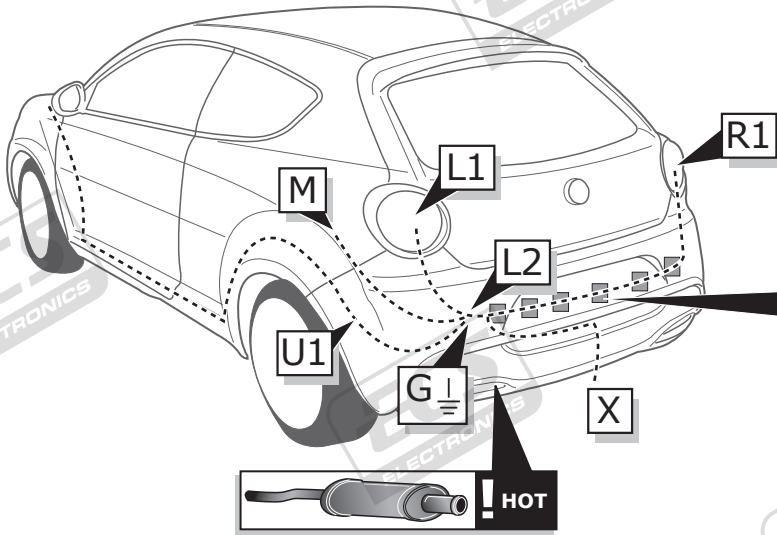
↓

PARK DISTANCE CONTROL

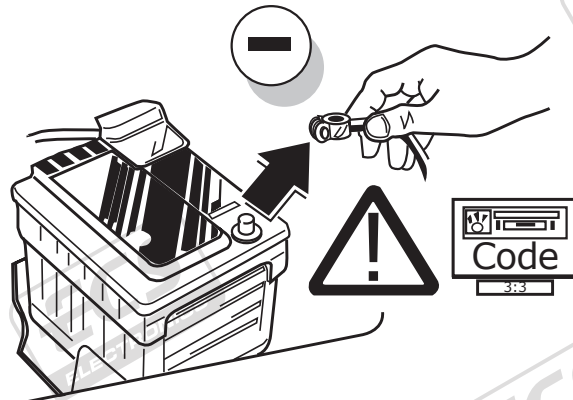
Pag. 11



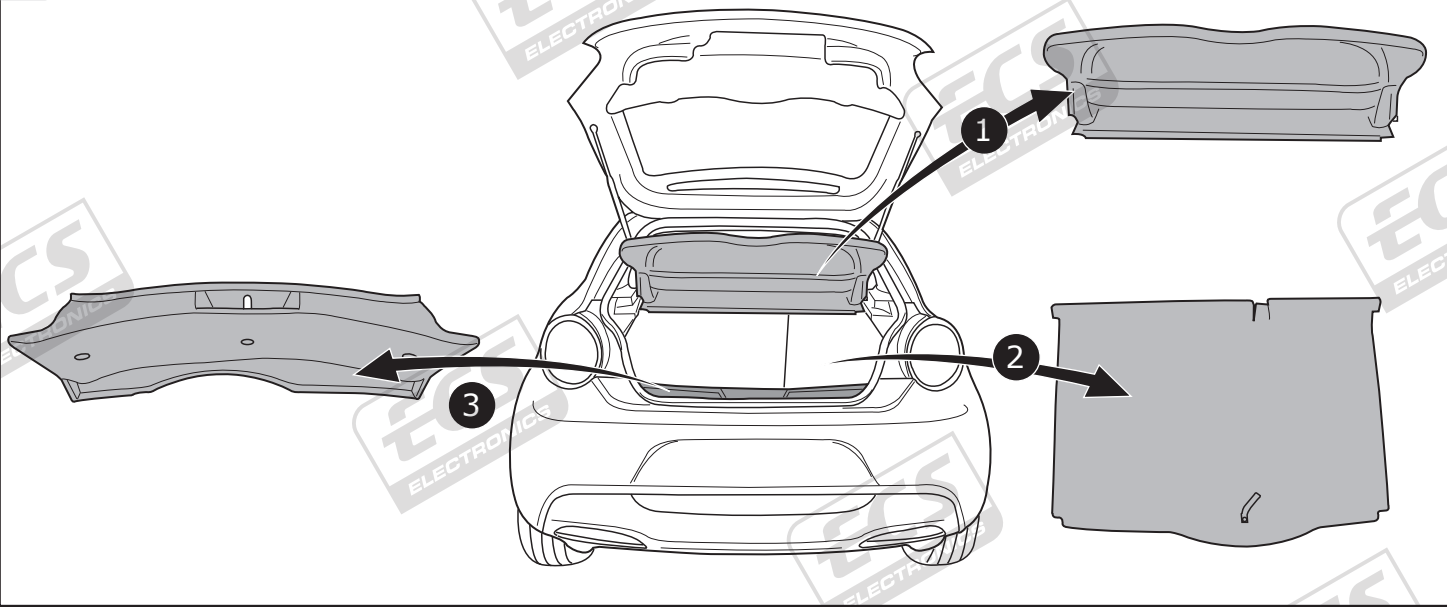
ROUTING



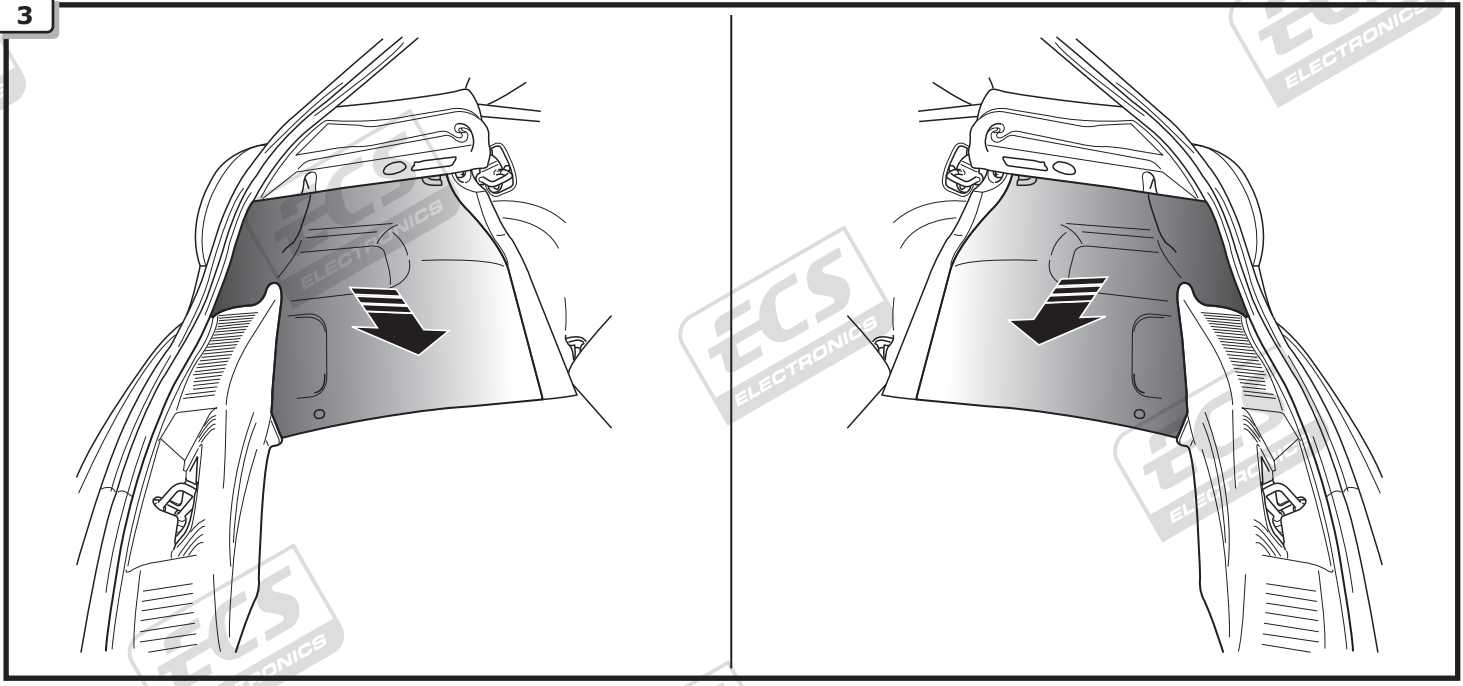
1



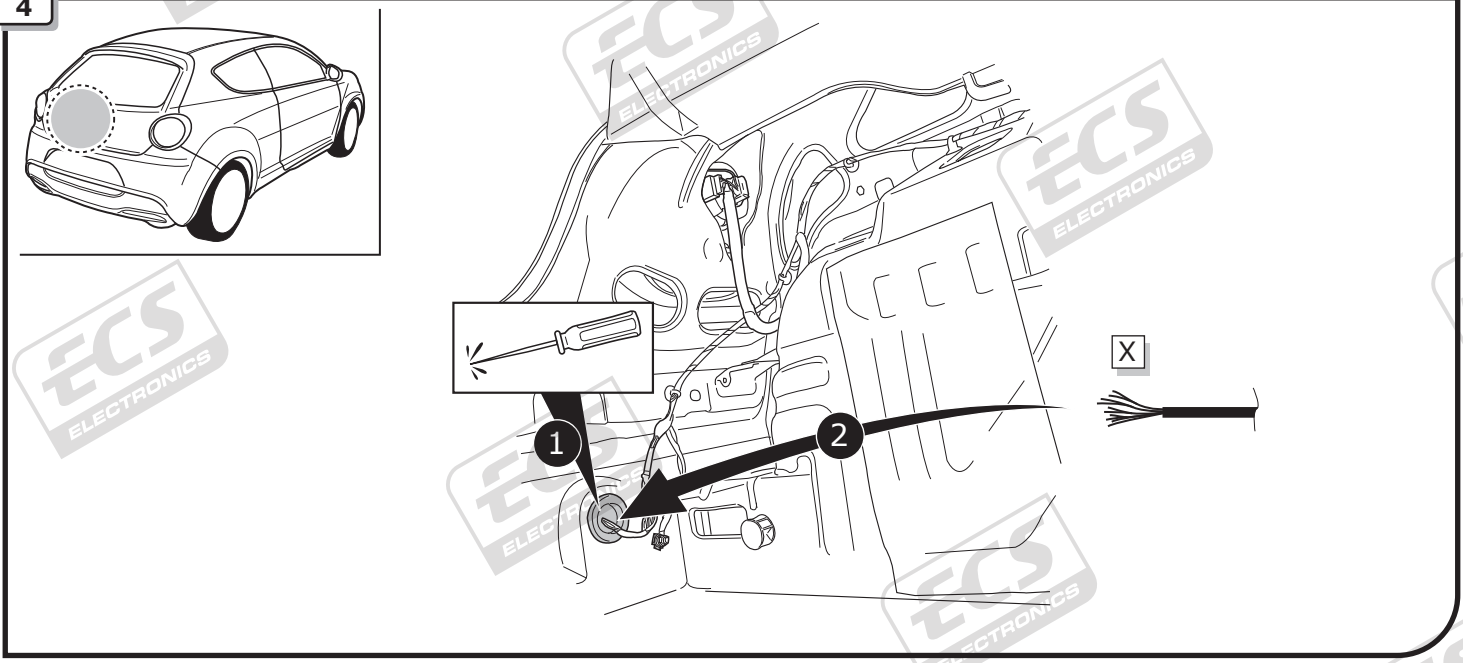
2

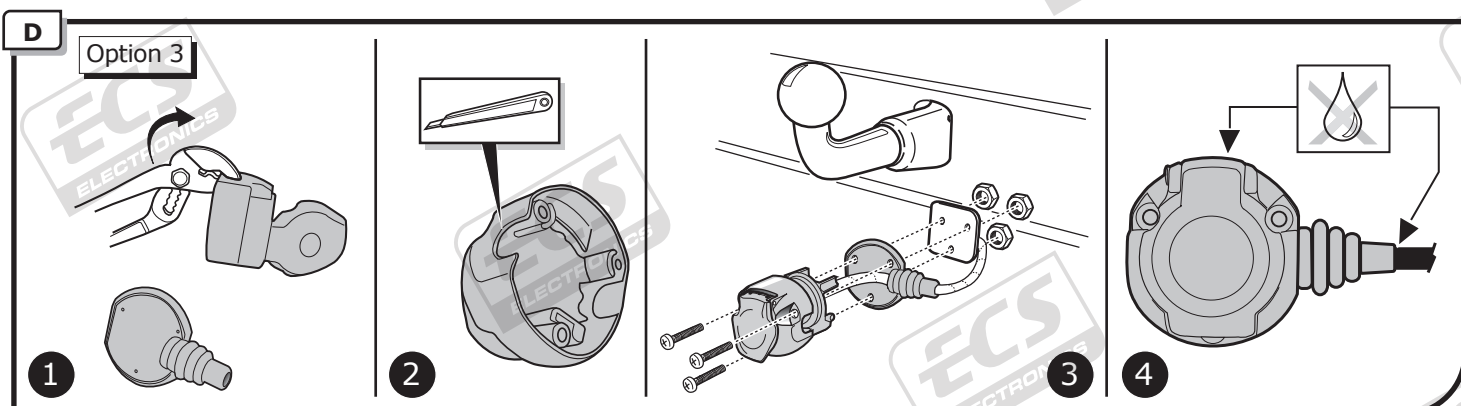
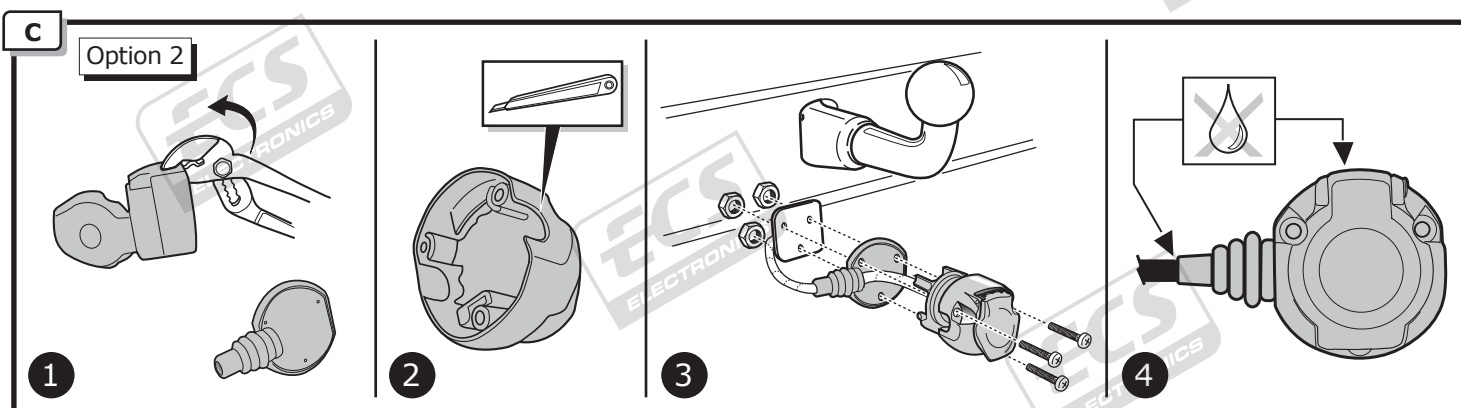
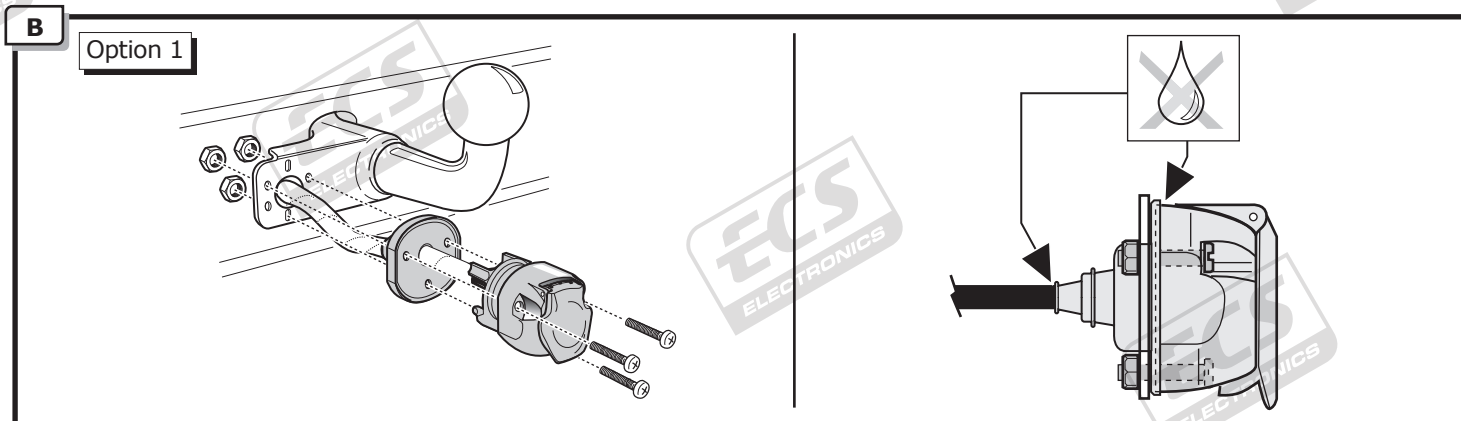
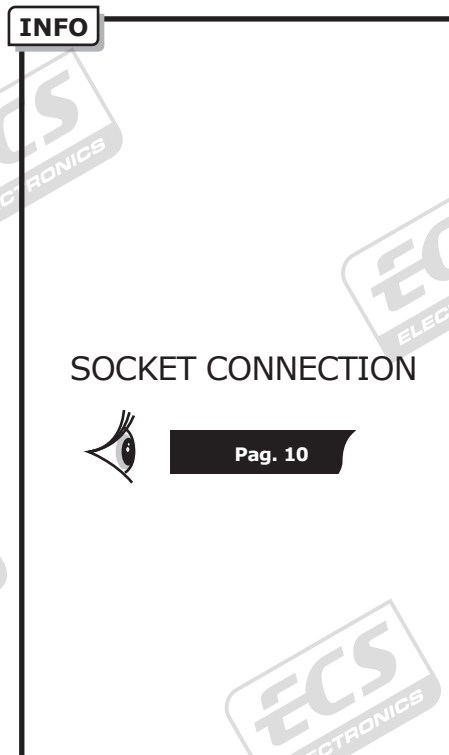
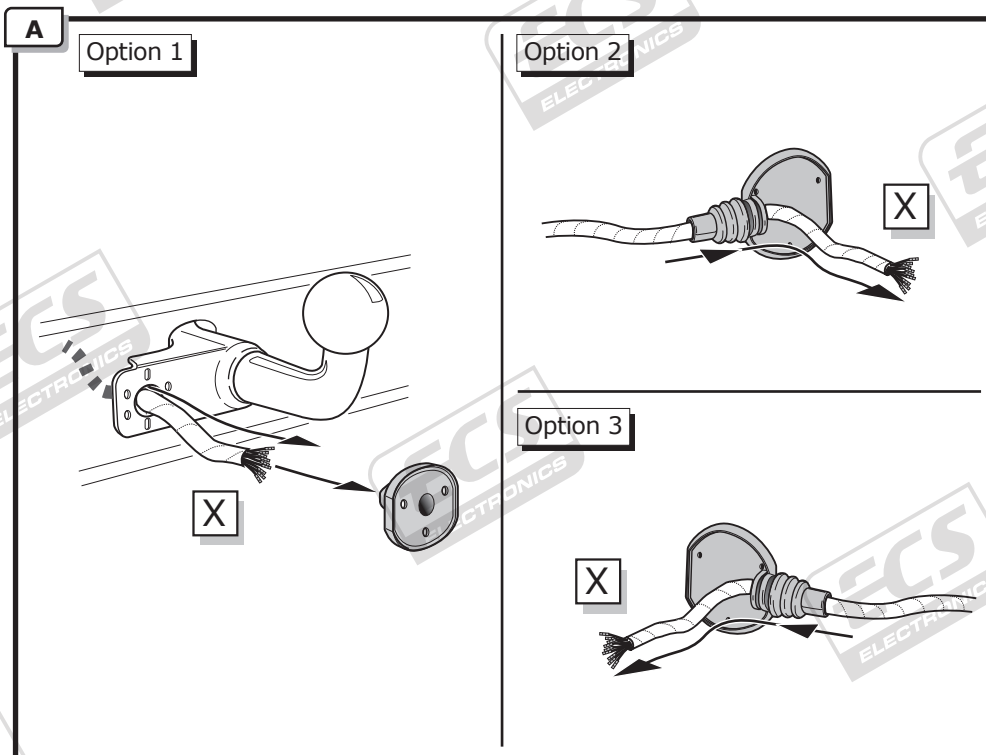


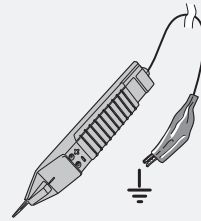
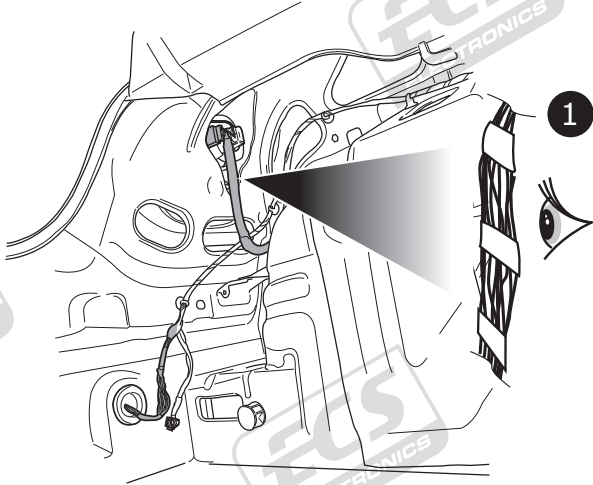
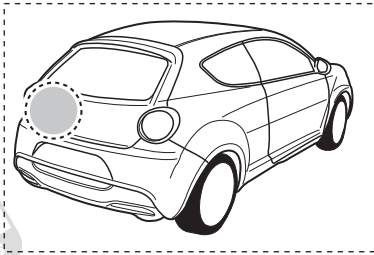
3



4

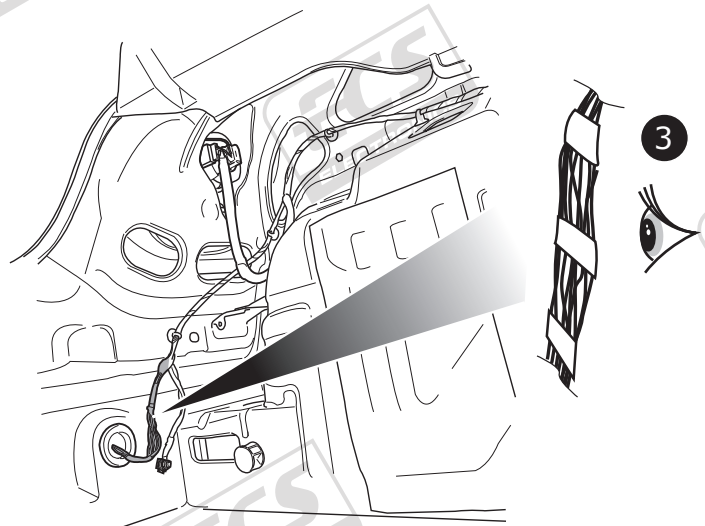
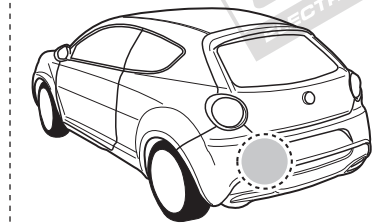
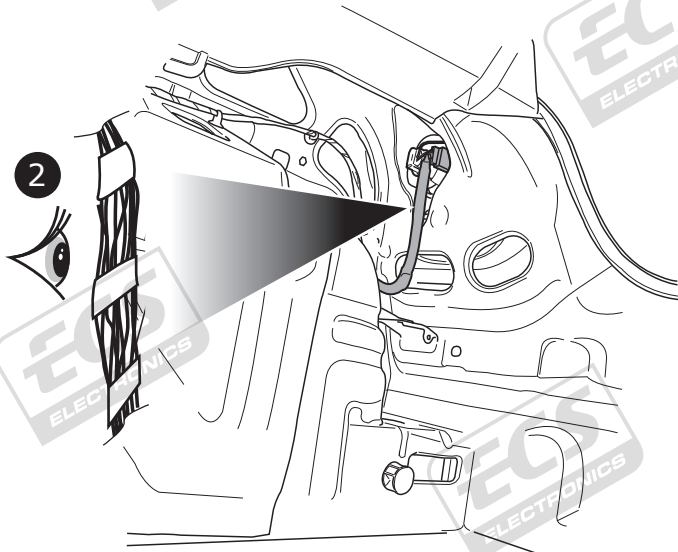
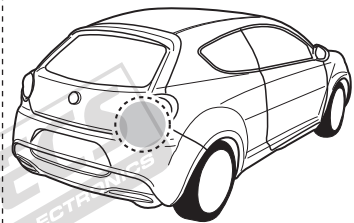




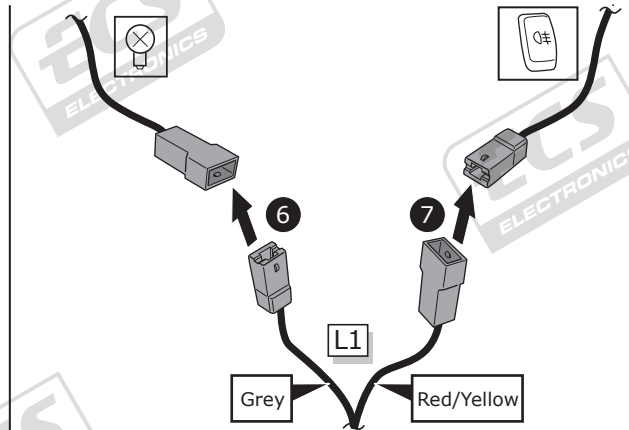
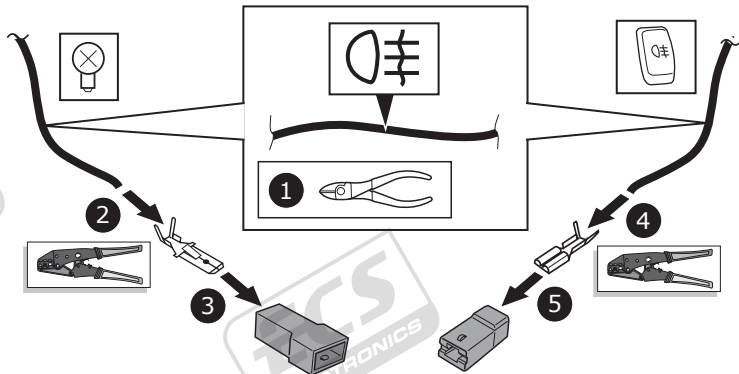
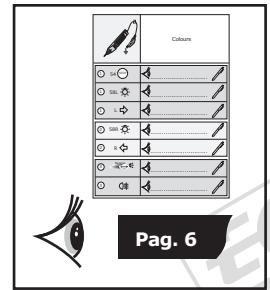
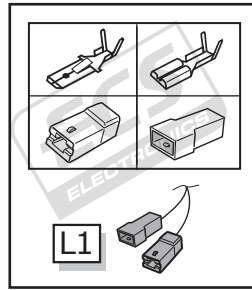
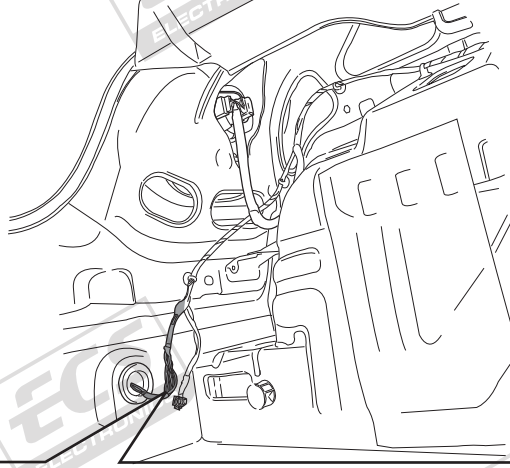
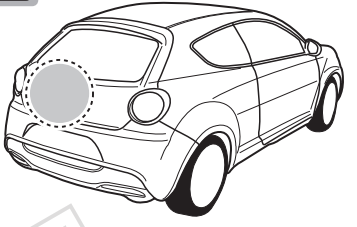


Colours

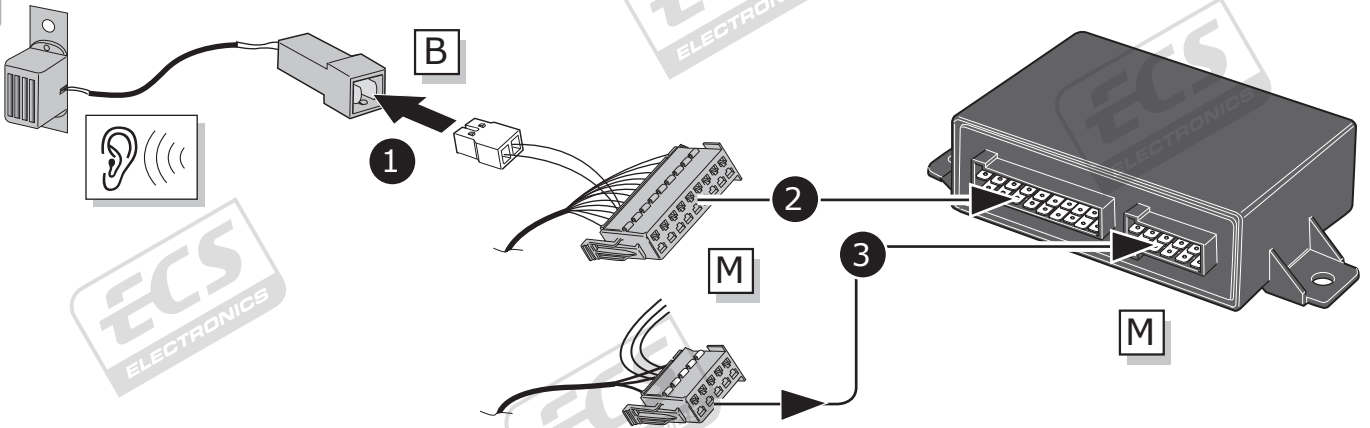
1	54 STOP	Green/White		Green/White		
1	58L	Yellow/Red		Yellow/Red		
1	L ←	Blue/White		Blue/White		
2	58R	Yellow/Black		Yellow/Black		
2	R →	Blue/Black		Blue/Black		
3	Reverse	Grey/Green		Grey/Green		
3		Brown/Yellow		Brown/Yellow		



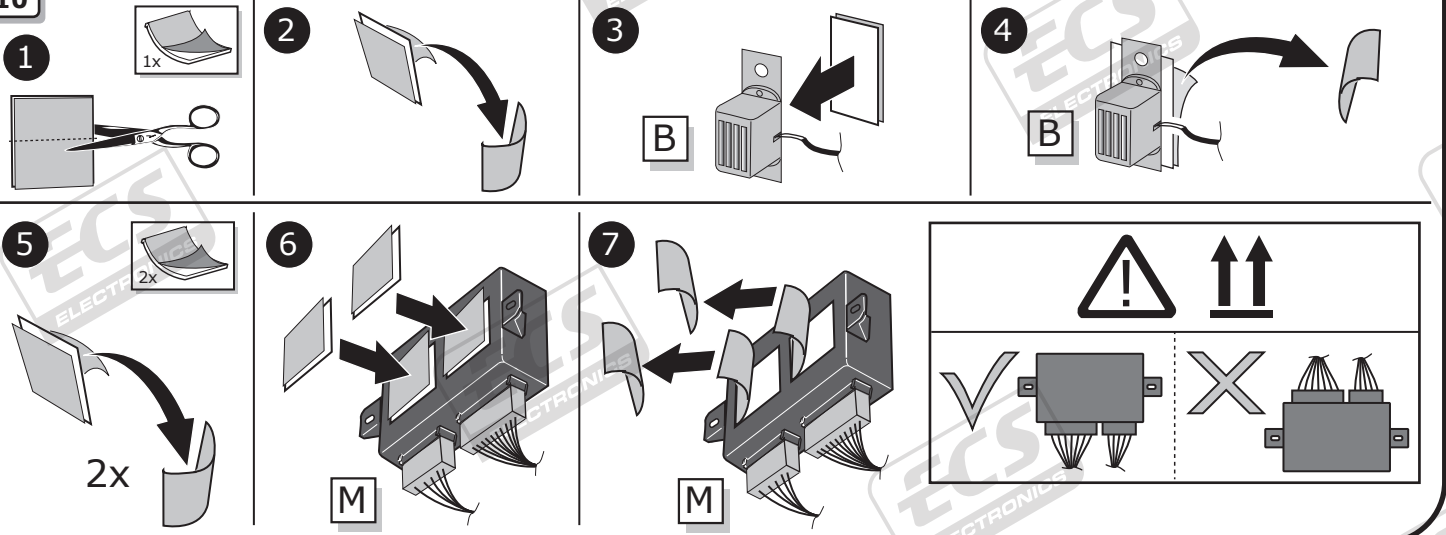
8



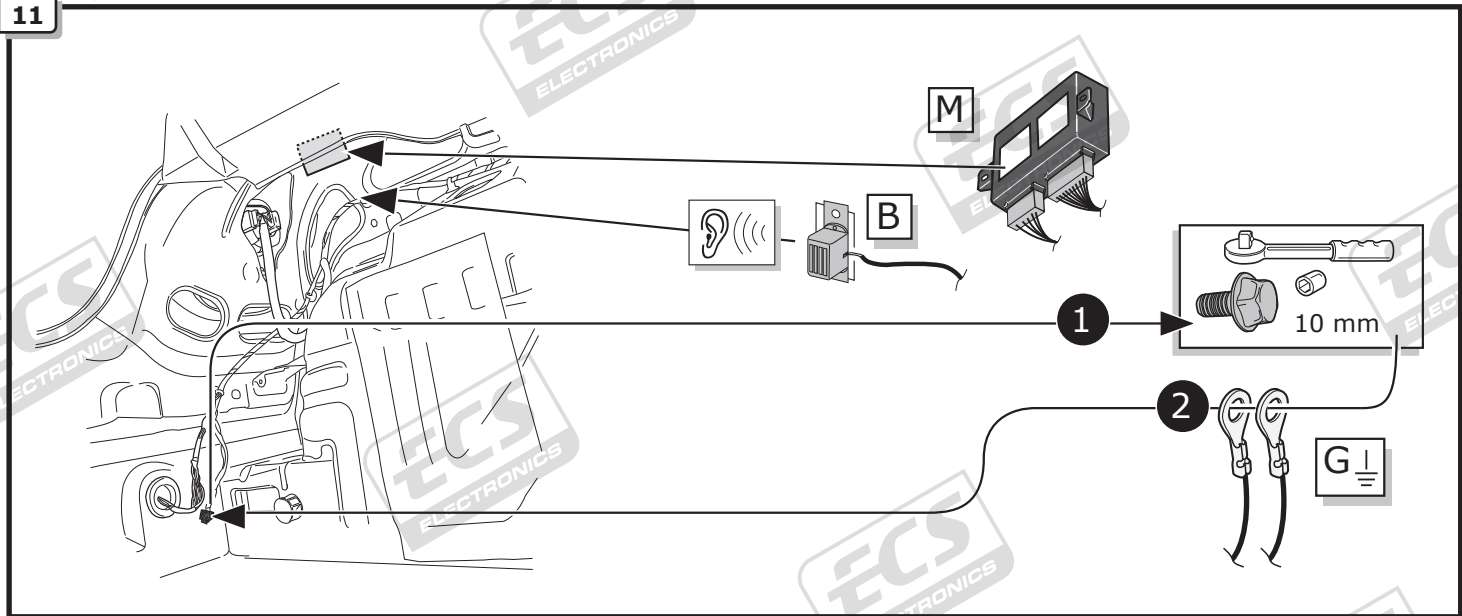
9



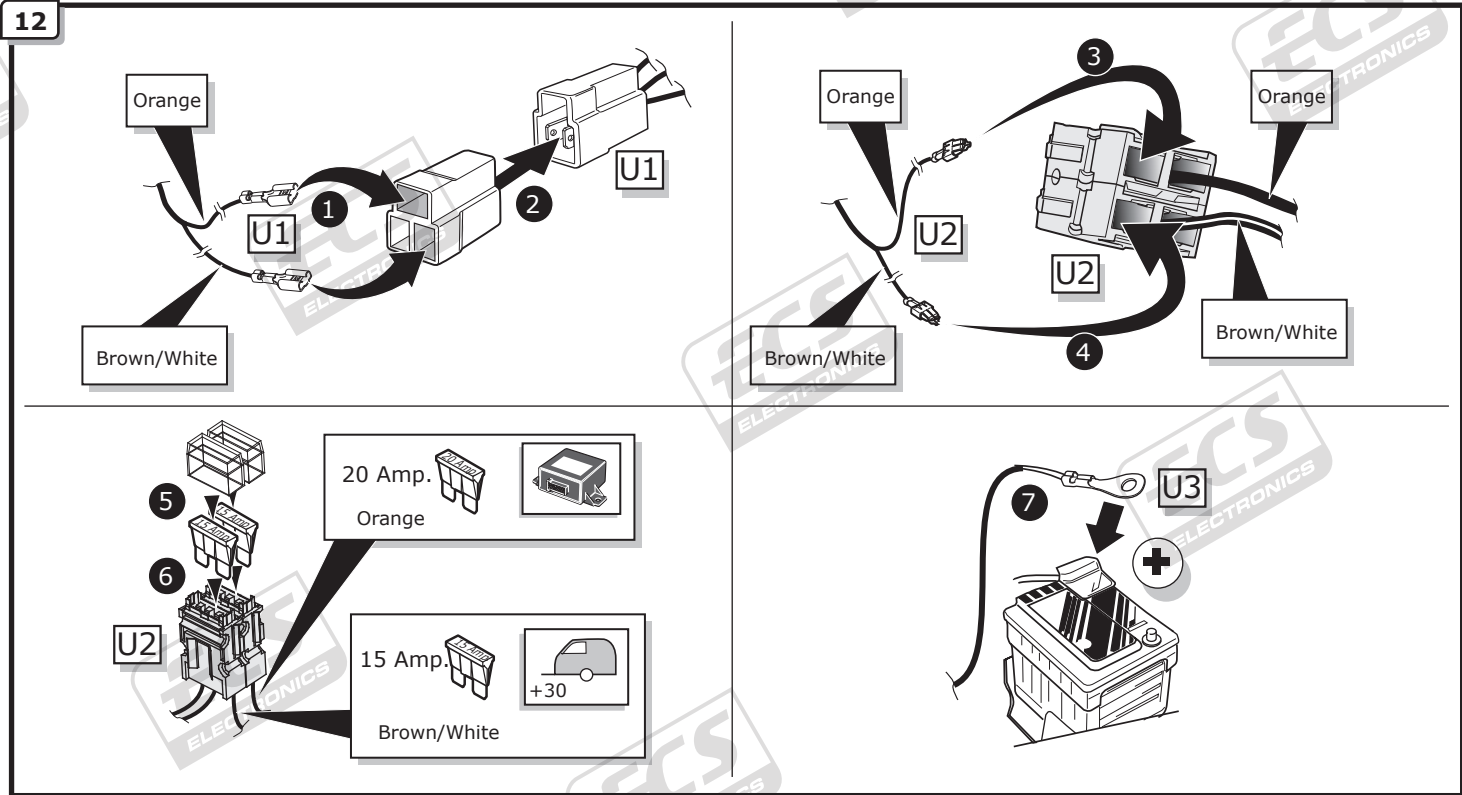
10



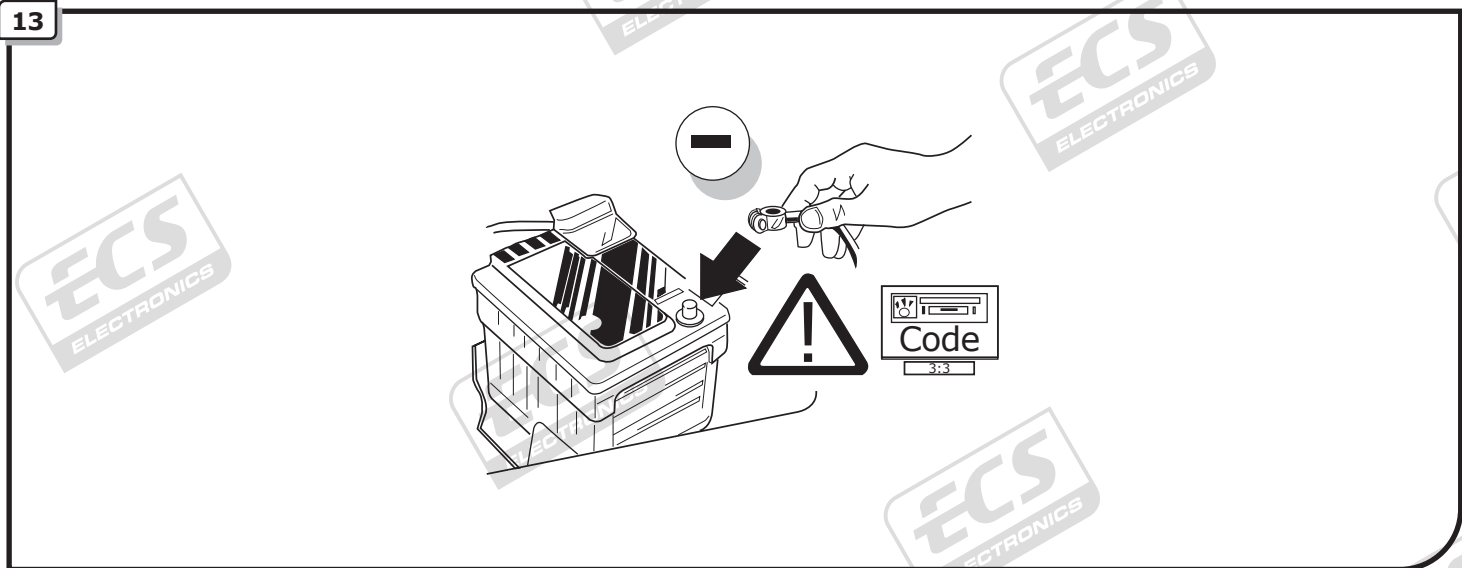
11



12



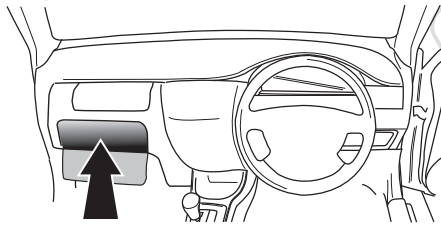
13



! TEST ALL THE CIRCUITS WITH A TEST DEVICE WITH THE CORRECT POWER LOAD FOR EACH FUNCTION. A TEST DEVICE WITH LED'S CANNOT BE USED FOR THIS PURPOSE.

INFO

REINSTALL TRIM.



User guide



INFO

SOCKET CONNECTION

DIN/ISO 11446													
	1/L	2	3/31	4/R	5/58-R	6/54	7/58-L	8	9	10	11	12	13
Pmax	21W	2x21W		21W	52W	3x21W	52W	2x21W	180W/15Amp	180W/15Amp			
Colour	Yellow	Blue	White	Green	Brown	Red 1,00 mm ²	Black	Black/ Red	Brown/ White	Red 2,50 mm ²	White	-	White

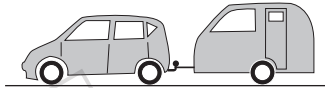
Option



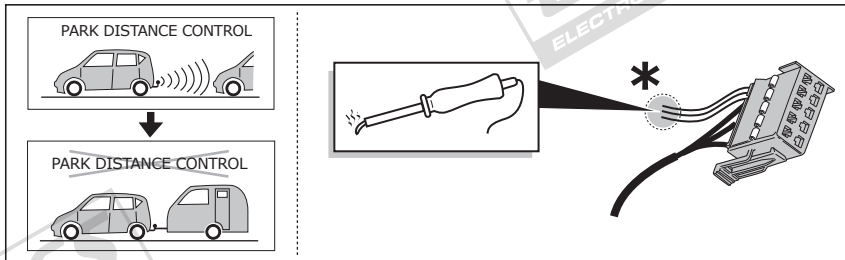
PARK DISTANCE CONTROL



PARK DISTANCE CONTROL

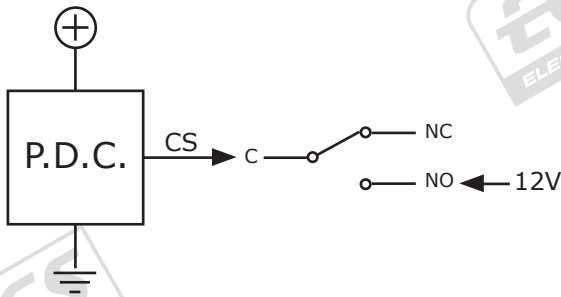


1

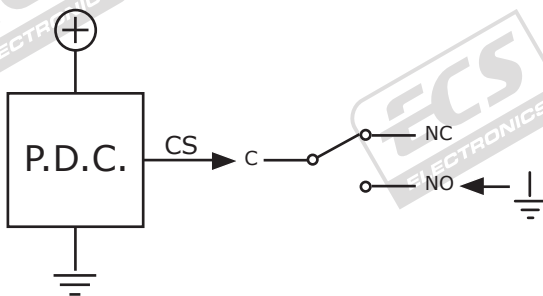


2

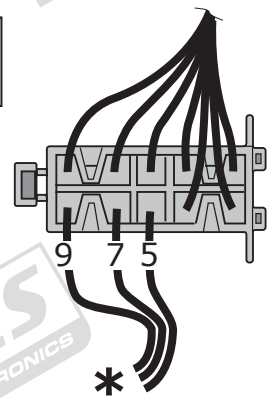
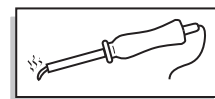
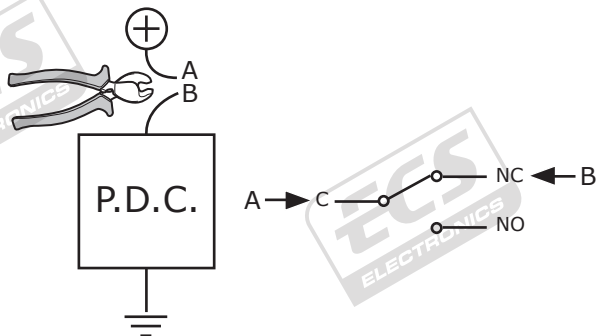
Option A



Option B



Option C



9 = C
Red/Black

7 = NC
Blue/Black

5 = NO
Blue/White