

## CAUTION

---

- Seat plate and support base has a maximum weight limit of 300 lbs.
- Avoid excessively bending and adding too much pressure to support pipes in general.
- Please ensure the all parts of chair are fixed tightly before use.
- This is not a toy, do not leave children unattended while using it.
- Make sure that adjustable height marbles are protruding out of each hole. This ensures they are securely locked and confirms the height selected is even.
- Check the rubber tips on the support legs are not ripped, torn, or missing. If so, immediately replace if any of these imperfections exist.
- ALL four support legs with rubber tips MUST touch the floor simultaneously at all times.
- DO NOT stand on chair.

**NOTE:** To maintain, clean with mild soap and rinse with warm water. Wipe bath seat dry after each use.

## LIMITED LIFETIME WARRANTY

---

Your Medic Therapeutics product is backed by a limited lifetime manufacturer's warranty. Medic Therapeutics will repair or replace your device at any time should it fail due to a defect in material or workmanship, subject to the certain limitations.

This limited warranty does not cover any damage that results from unauthorized or improper use, service, or repair. Further, it does not cover damage caused by accident, impact, negligence, or normal wear and tear. Should you discover your Medic Therapeutics product is not functioning properly, please send your device to our repair center for evaluation. If your product cannot be repaired or serviced, we will reserve the right to change it for a similar or newer model.

Please note that a flat rate of \$10.00 will be charged to cover a service evaluation fee and return shipping of your device. All warranty claims must be accompanied by a copy of your proof of purchase from an authorized retailer. Please send your device, proof of purchase, and a check or money order in the amount of \$10.00 made out to Medic Therapeutics to:

**Address:**  
Medic Therapeutics Service Center  
3069 Taft Street  
Hollywood, FL 33021

**Contact:**  
warranty@medictherapeutics.com



---

## BATHTUB AND SHOWER ASSISTANCE BENCH



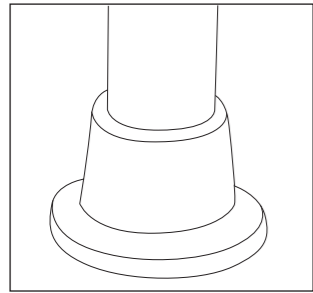
User Manual

## PRODUCT SPECIFICATION

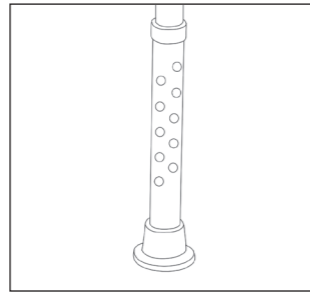
Support Pipes:	Aluminum
Seat plate material:	HDPE+H62
Seat plate size:	20" x 12" inches
Net Weight:	4 lbs kg
Max Loading:	300 lbs.
Base Height Range:	15" - 21" Inches

## FEATURES

- Curved seat plate for comfortable sitting.
- Each leg is capped with a rubber, non-slip, anti-skid tip for assured safety.
- Adjustable height support legs, to best fit user's preference.
- Durable seat plate that is easy to clean. Rustproof material, providing a long lifetime of usage. Lightweight, makes it easy to move around.
- Easy to assemble, no tools needed.

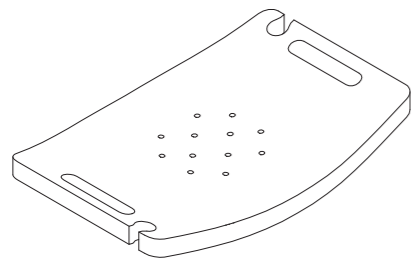


Rubber, non-slip, anti-skid caps

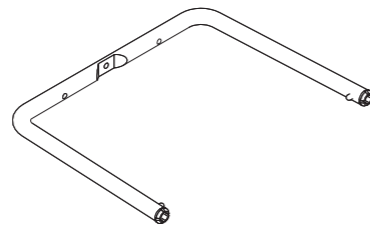


Adjustable height support legs

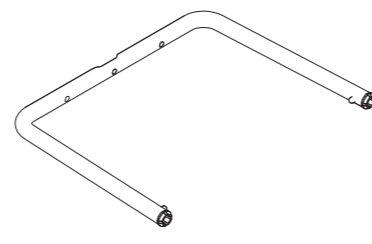
## PARTS INCLUDED



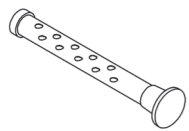
Seat Plate x 1



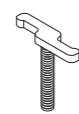
Base Support Pipe A x 1



Base Support Pipe B x 1



Adjustable Height Support Leg x 4

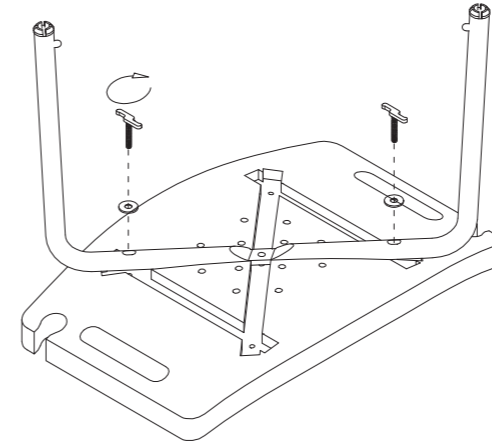


Screw x 5

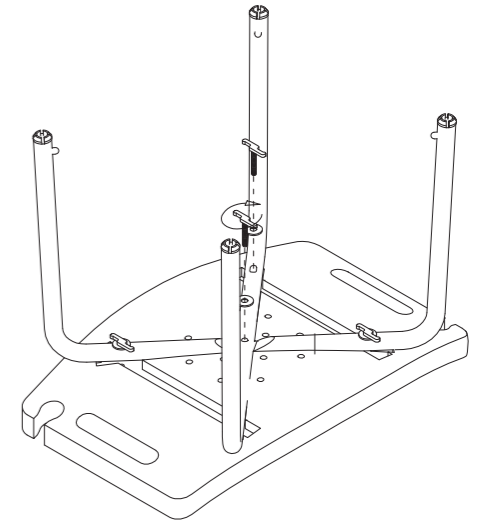


Washer x 5

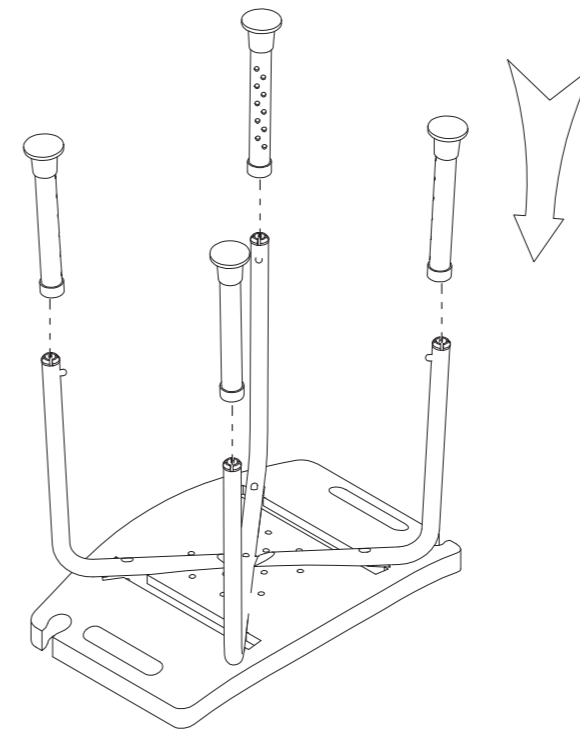
## ASSEMBLING INSTRUCTIONS



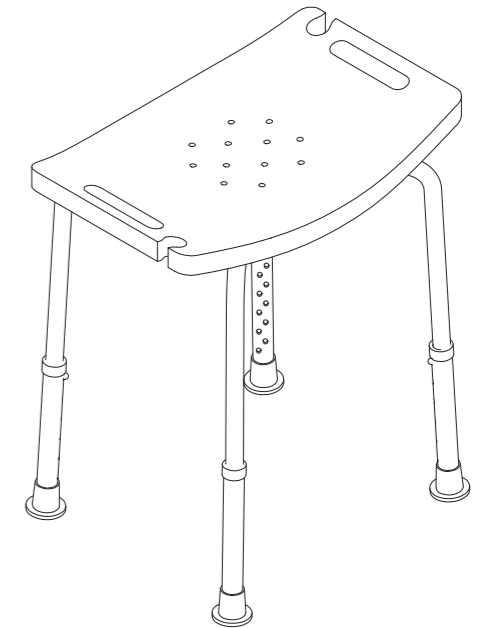
1. Place seat plate face down on a flat surface. Align Base Support Pipe A in the slot located under the Seat Plate. Once aligned insert two Long Screws with washer on each side and tighten until secure.



2. Align Base Support Pipe B in the slot located under the Seat Plate and within the opening of Support Pipe A. Once aligned insert three Long Screws with washer on each side and tighten until secure.



3. Insert the four Support Legs, one to each Support Base Pipe. Align them with the marble and push until they clasp on. To adjust height push marble and move up or down until desired height.



4. Flip bench over. It is now ready for use.