

## PRODUCT SPECIFICATIONS

---

Power Rating:	4.3   4.9   5.9   7.5   8 W
Max. Fan Flow Rate:	2.05 m <sup>3</sup> /min
Service Value:	17 (m <sup>3</sup> /min)/W
Fan Sound Power Level:	27   29   31   34   35 dB(A)
Max. Air Velocity:	2.2   2.6   3   3.3   3.4m/s
Stand-By Power Consumption:	0.12 W

## LIMITED LIFETIME WARRANTY

---

Your Medic Therapeutics Portable AC unit is backed by a limited lifetime manufacturer's warranty. Medic Therapeutics will repair or replace your device at any time should it fail due to a defect in material or workmanship, subject to the certain limitations.

This limited warranty does not cover any damage that results from unauthorized or improper use, service, or repair. Further, it does not cover damage caused by accident, impact, negligence, or normal wear and tear. Should you discover your Medic Therapeutics Portable AC unit is not functioning properly, please send your device to our repair center for evaluation. If your product cannot be repaired or serviced, we will reserve the right to change it for a similar or newer model.

Please note that a flat rate of \$35.00 will be charged to cover a service evaluation fee and return shipping of your device. All warranty claims must be accompanied by a copy of your proof of purchase from an authorized retailer. Please send your device, proof of purchase, and a check or money order in the amount of \$35.00 made out to Medic Therapeutics to:

**Address:**

Medic Therapeutics Service Center  
3069 Taft Street  
Hollywood, FL 33009

**Contact:**

warranty@medictherapeutics.com



# PORTABLE AC

## WITH BUILT-IN ATOMIZING HUMIDIFIER

---



MANUAL

## DEVICE AND USAGE INFORMATION

---

- Only use the AC unit in a dry, indoor environment.
- The unit must be plugged-in in order to operate.
- The unit is designed to be safely used with low voltage.
- The unit feature 5 different fan speed output levels for comfort.
- The unit includes a water tank for humidifying the room air.
- The touch display allows for easy settings selection.
- The unit offers an oscillation feature with simultaneous ventilation.
- The fan may be adjusted.
- The humidifying feature can enhance cooling effect.

## SAFETY INFORMATION

---

- Individuals with limited physical, visual and mental capability should not use unless under supervision.
- The AC unit is only completely off when unplugged from the outlet.
- The manufacturer is not responsible for any damage incurred by not following manual guidelines.
- The filter is designed specifically for this product so in the event it needs to be replaced, please purchase from the manufacturer.
- If the unit won't be in use for an extended period of time, empty the water tank, and run the fan on the highest setting for 4 hours to completely dry out the unit and filter. Then store in a cool, dry space.
- Use only with supplied power adapter and cord.
- Do not use near flame or fire source.
- Do not submerge in water or other liquids.
- Do not turn the device upside down.
- Do not block the front or back grills of the device.
- Do not place any items on top of the device.
- Do not place any foreign objects in the device.
- Do not use anywhere where there is a danger of the device being kicked or knocked over.
- Do not use near a heater or electrical equipment.
- For best results, place device on a high surface or table.
- Always unplug when replacing the filter, cleaning, or moving the device.

## TIPS

---

- Use on table, desk or countertop.
- After filling the tank, for efficient cooling, allow the filter to absorb water for 3 minutes before use.
- Remaining within 3 feet of the device will maximize the cooling benefits.
- Set on low, the device can run for up to 8 hours from a single filling of the tank.

## SET-UP

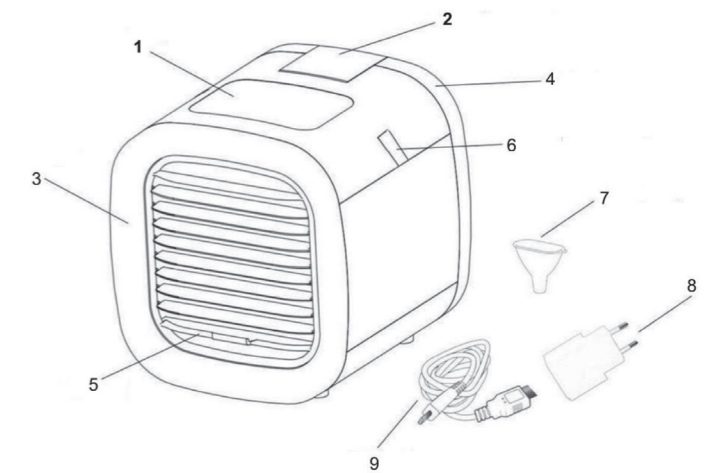
---

- Place the unit on a flat surface.
- Open the tank door and fill with water.
- Plug USB power adapter into an outlet. Then, insert the larger USB end of the cable into the adapter and the smaller end into the power port in the back of the unit.

## OPERATION

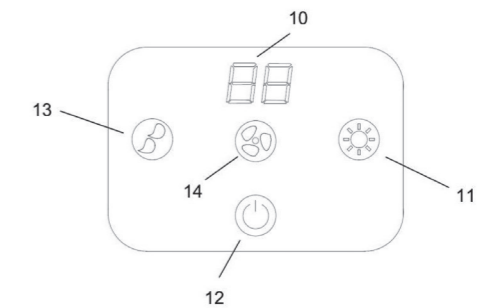
---

1. Control Button
2. Water Tank Cover
3. Front Panel
4. Back Panel
5. Front Grill
6. Water Level Window
7. Water Funnel
8. Adapter
9. USB Cable
10. Temperature Display
11. Light Button – Select your light color by pressing this button. You can choose either one color or to cycle through the colors.



### Color Order:

1. Press for 1 second for color cycle
  2. Press for 2 seconds for a specific color.
  3. Press for 3 seconds to turn the color light option off.
12. On/Off Button
  13. Cooling Mode
  14. Fan Speed Button
- The device has 5 fan speed modes.
  - The device has an airflow indicator light.
  - It is recommended to run the unit on
  - HIGH mode for 5 minutes prior to turning off to allow it to dry.



## MAINTENANCE

---

- Clean with tank once per week with a clean cloth and mild soap.
- Replace filter every 6 months.

### Changing the Filter:

1. Unplug the AC unit from wall.
2. Gently press and release the tab on the bottom of the front grill and pull down away from device and set it aside.
3. Carefully slide the filter out of the device.
4. Place new filter in the device as per the indications on the new filter.
5. Insert the top tab of the grill into the slot and press the release tab back into place.

- This device and batteries must be disposed of as per local environmental law at the appropriate recycling center.