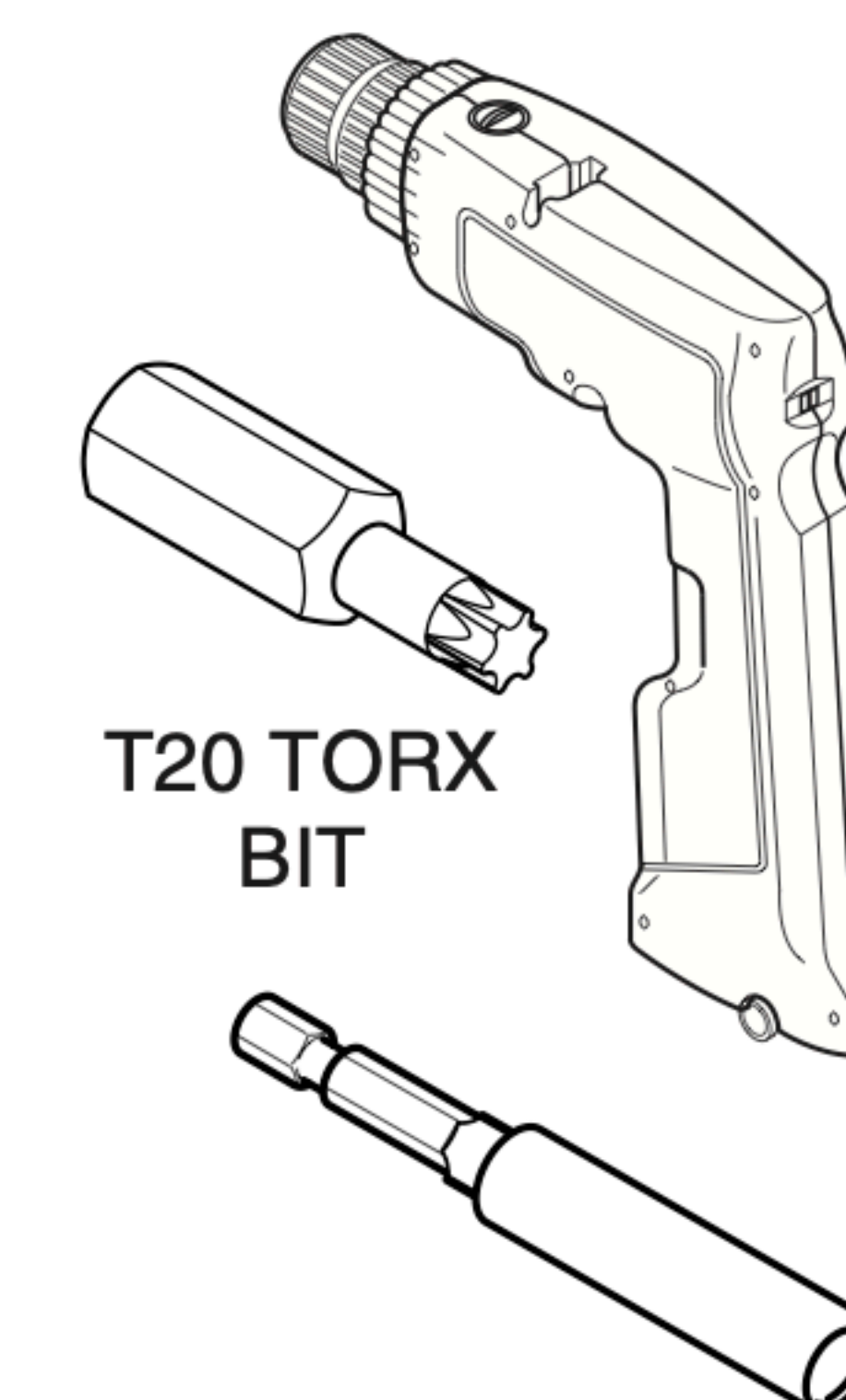
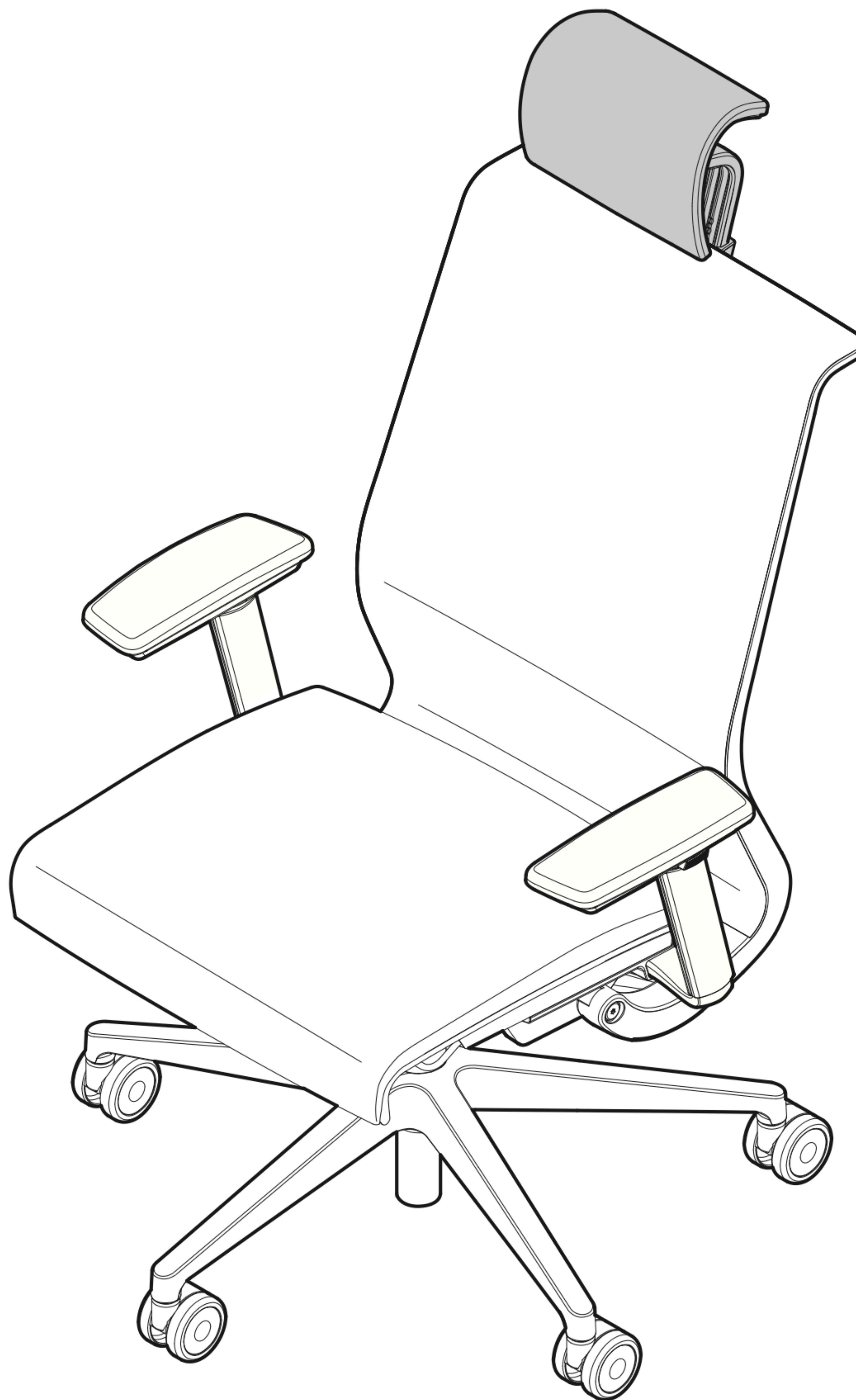


Steelcase®

**blue
box**

Field Install 465 Think® Headrest

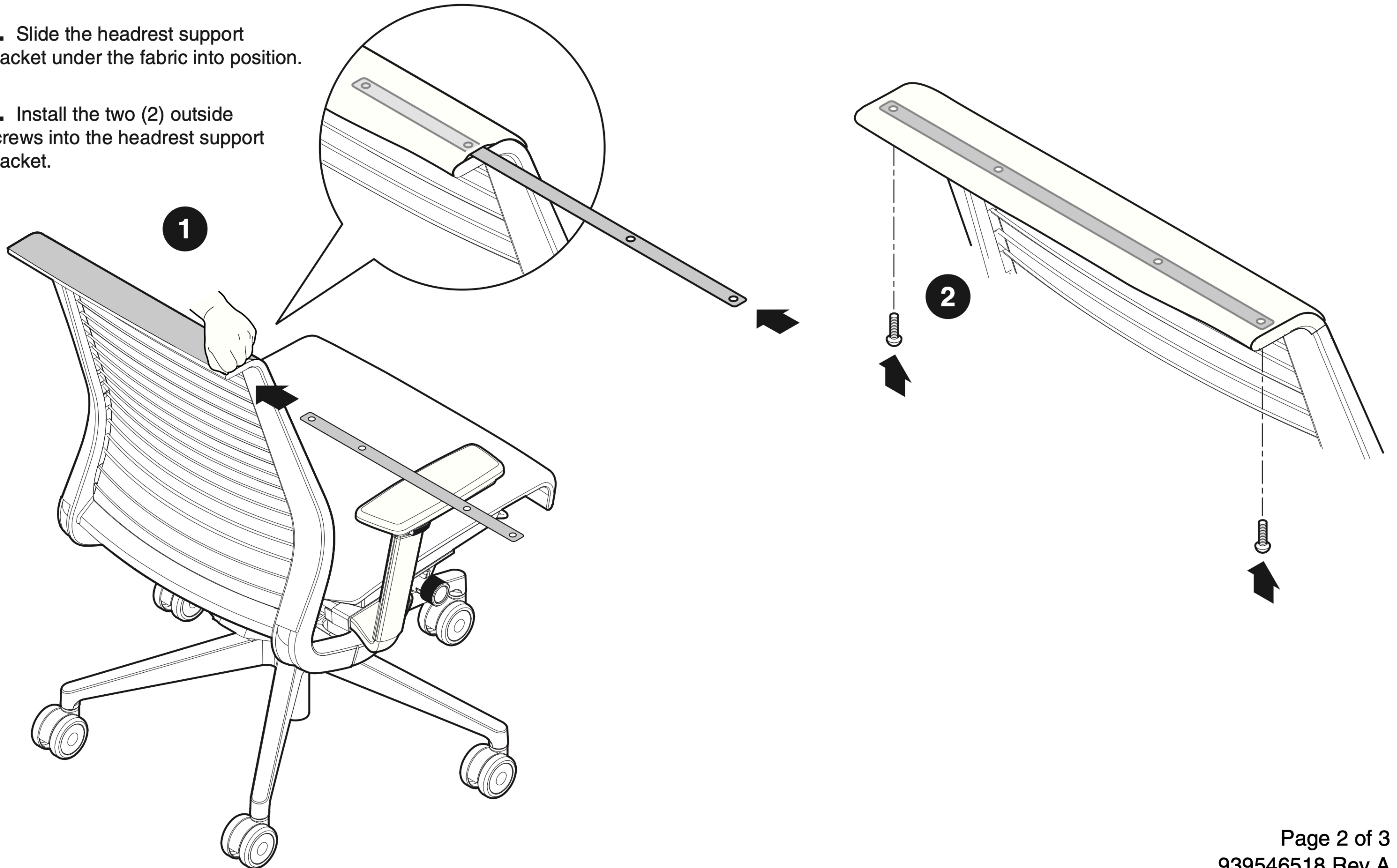


If you have a problem, question, or request, call your local dealer, or Steelcase Line 1 at **888.STEELCASE** (888.783.3522) for immediate action by people who want to help you. (Outside the U.S.A., Canada, Mexico, Puerto Rico, and the U.S. Virgin Islands, call: 1.616.247.2500) Or visit our website: www.steelcase.com

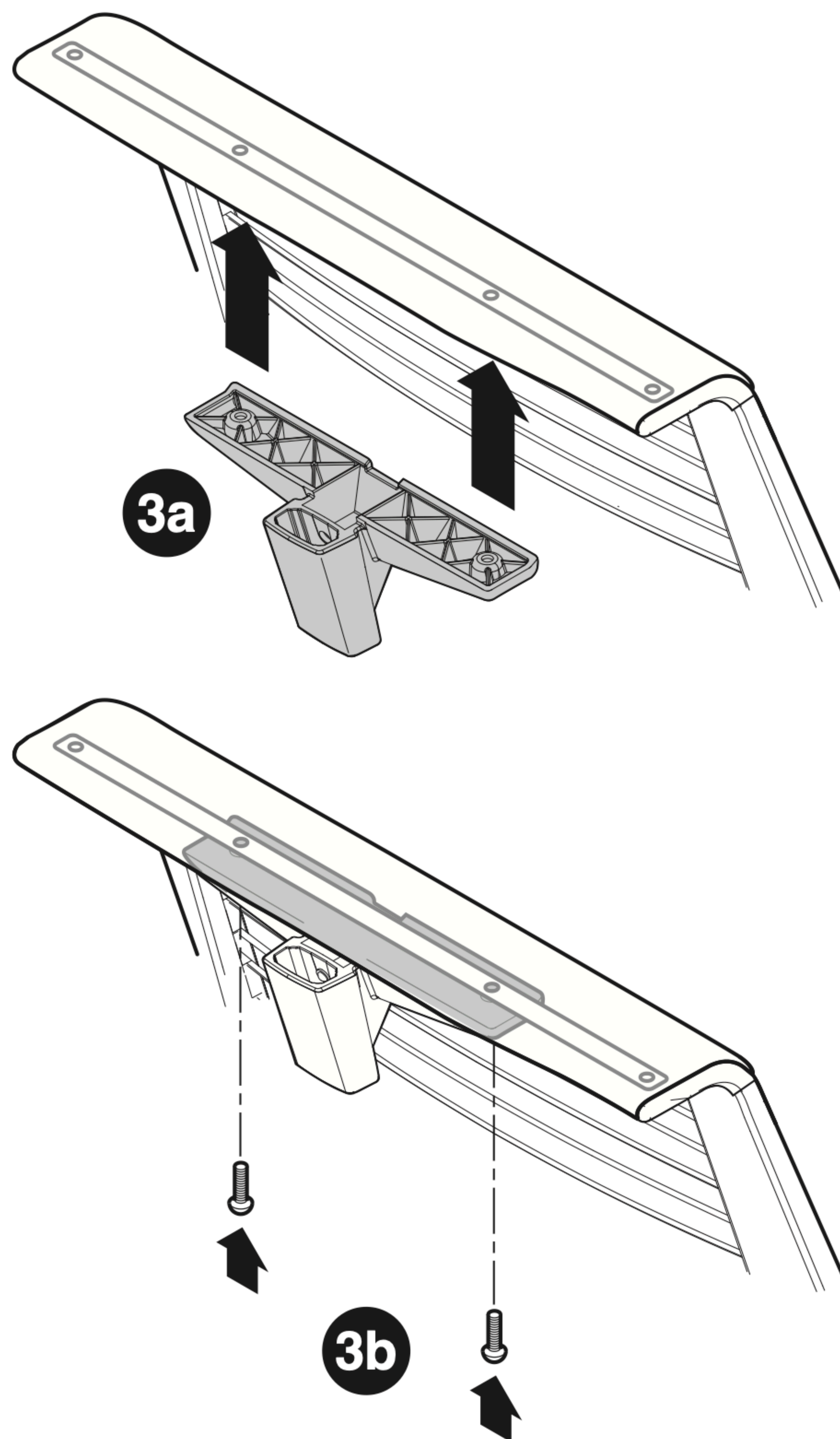
© 2006 Steelcase Inc.
Grand Rapids, MI 49501
U.S.A.
Printed in U.S.A.

1. Slide the headrest support bracket under the fabric into position.

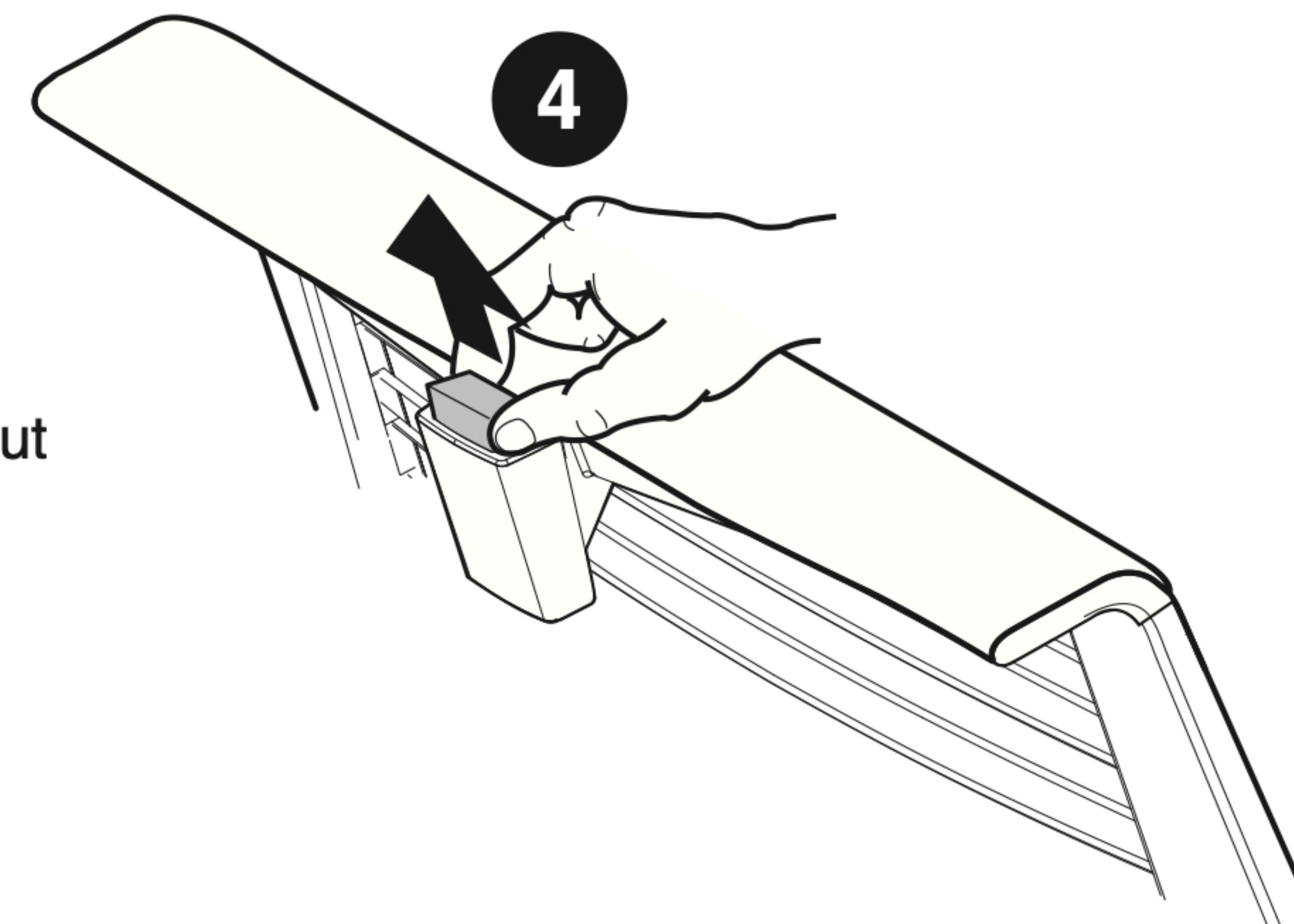
2. Install the two (2) outside screws into the headrest support bracket.



- 3.** Mount the headrest support (3a) with the two (2) inside screws (3b).



- 4.** Lift the shipping plug out of the headrest support.



- 5.** Slide the headrest arm assembly into the headrest support.

