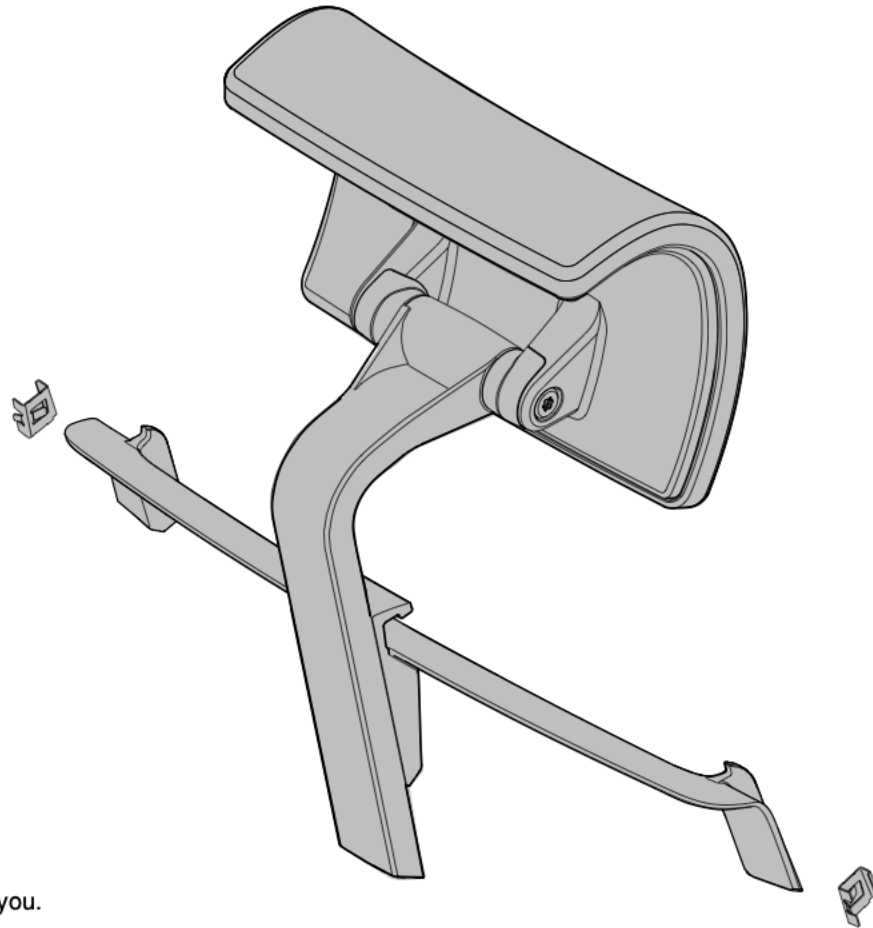


⚠ CAUTION: TIP OVER HAZARD

Install headrest *only* on chairs, no stools



If you have a problem, question, or request, call your local dealer, or Steelcase Line 1 at **888.STEELCASE** (888.783.3522) for immediate action by people who want to help you.

(Outside the U.S.A., Canada, Mexico, Puerto Rico, and the U.S. Virgin Islands, call: 1.616.247.2500)

Or visit our website: www.steelcase.com

© 2015 Steelcase Inc.
Grand Rapids, MI 49501
U.S.A.

Printed in U.S.A.

⚠ CAUTION: TIP OVER HAZARD
Install headrest *only* on chairs, no stools

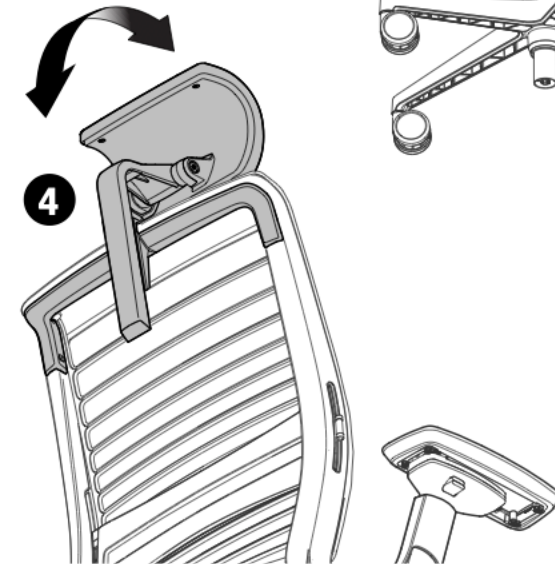
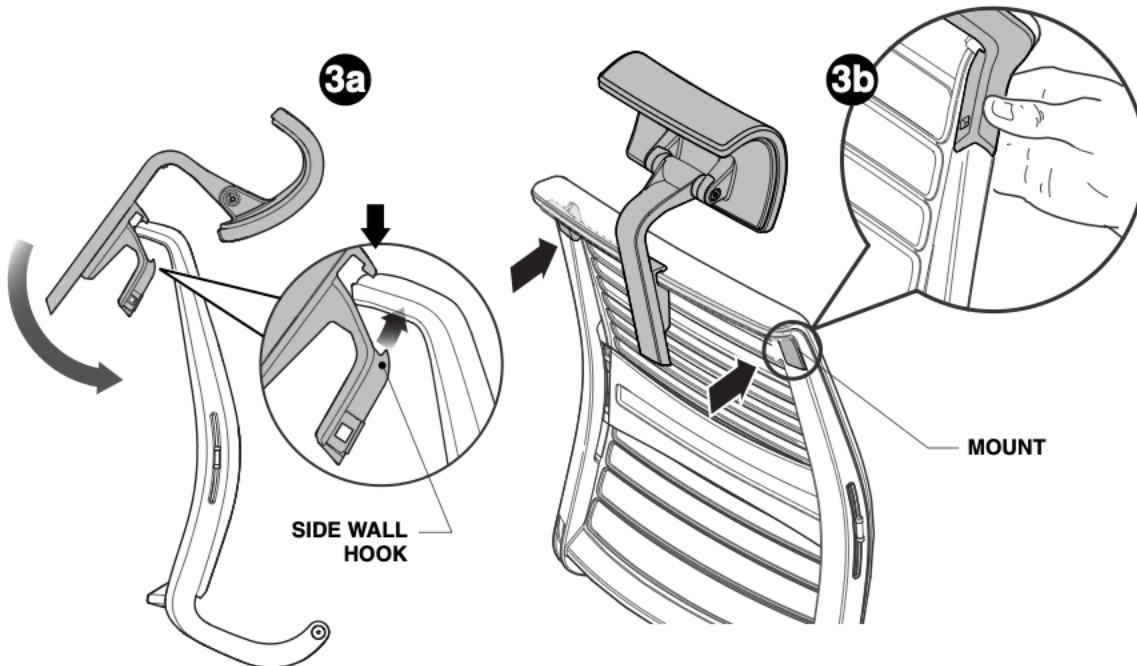
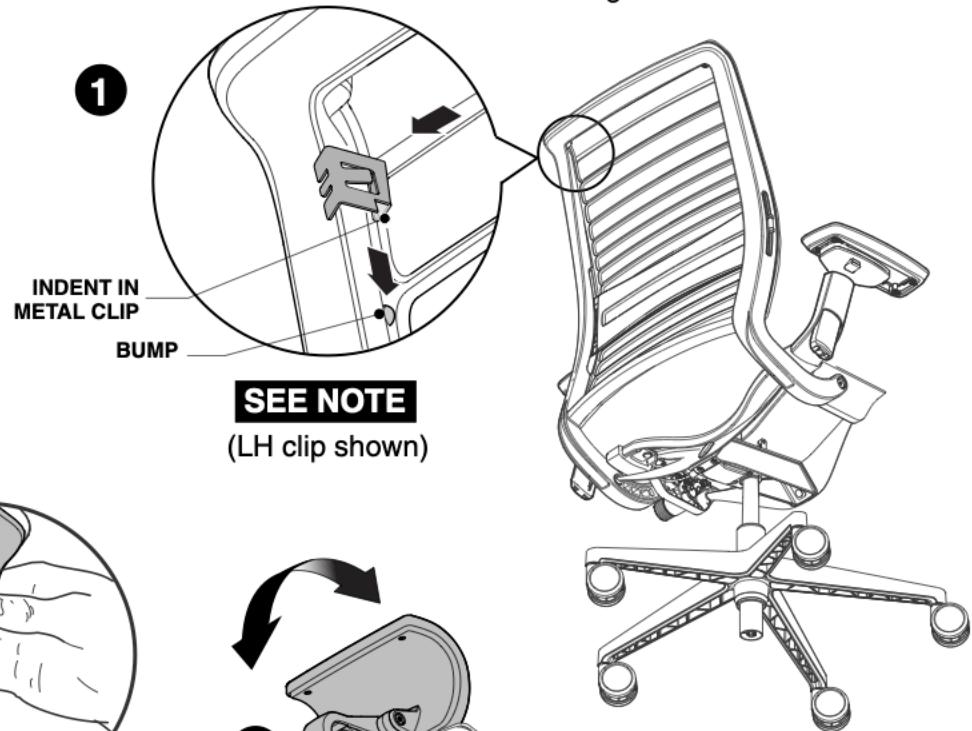
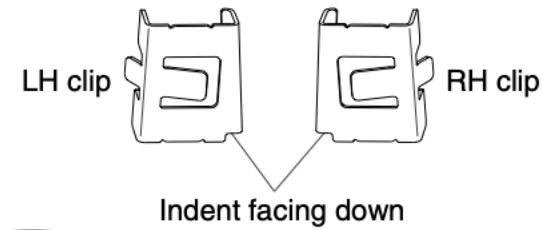
1. Install LH and RH metal clips with tabs facing away from back of chair. One (1) tab at each side of chair. Slide clips down to rest on small bumps.

NOTE: Clips are handed. Indent in clip should face down and align with bump.

2. Center the headrest on top of the chair with the front edge of the headrest over the plastic edge on the top of the chair back.

3. Rotate the headrest backward and press the side wall hooks up to clip under each side, you should hear a small 'click' noise (3a). At the bottom of the mount, push inwards with a high force (3b). You will hear a distinct 'snap' when the tabs (installed in step 1) have clipped into the mount.

4. Visually check to verify the headrest is engaged. Gently pull headrest forward and back to confirm it is secured to the chair back.



NOTE: Clips may break if headrest is removed from chair after successful installation.