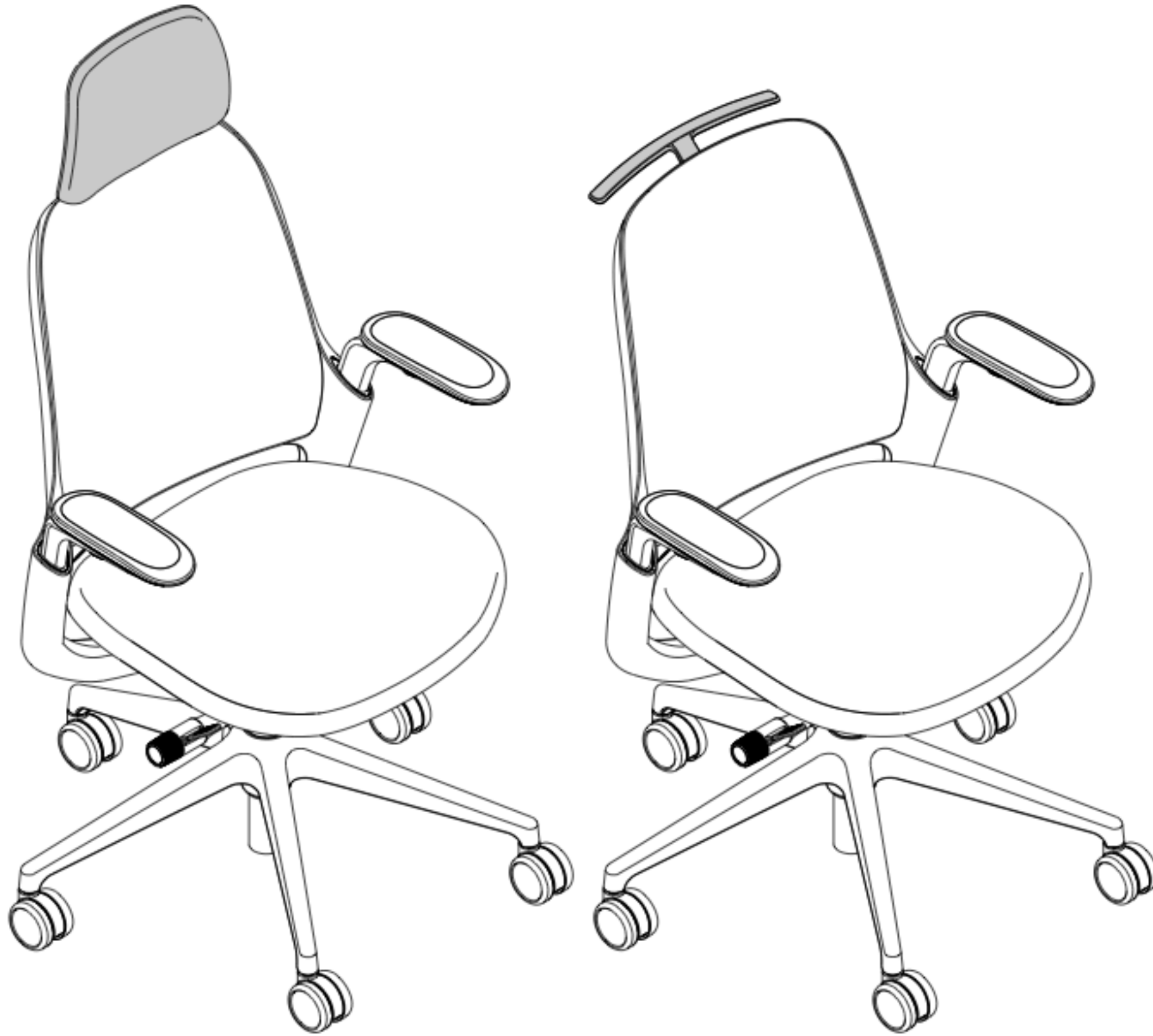
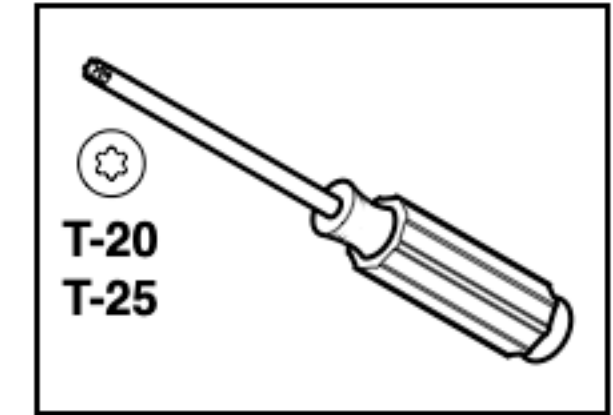
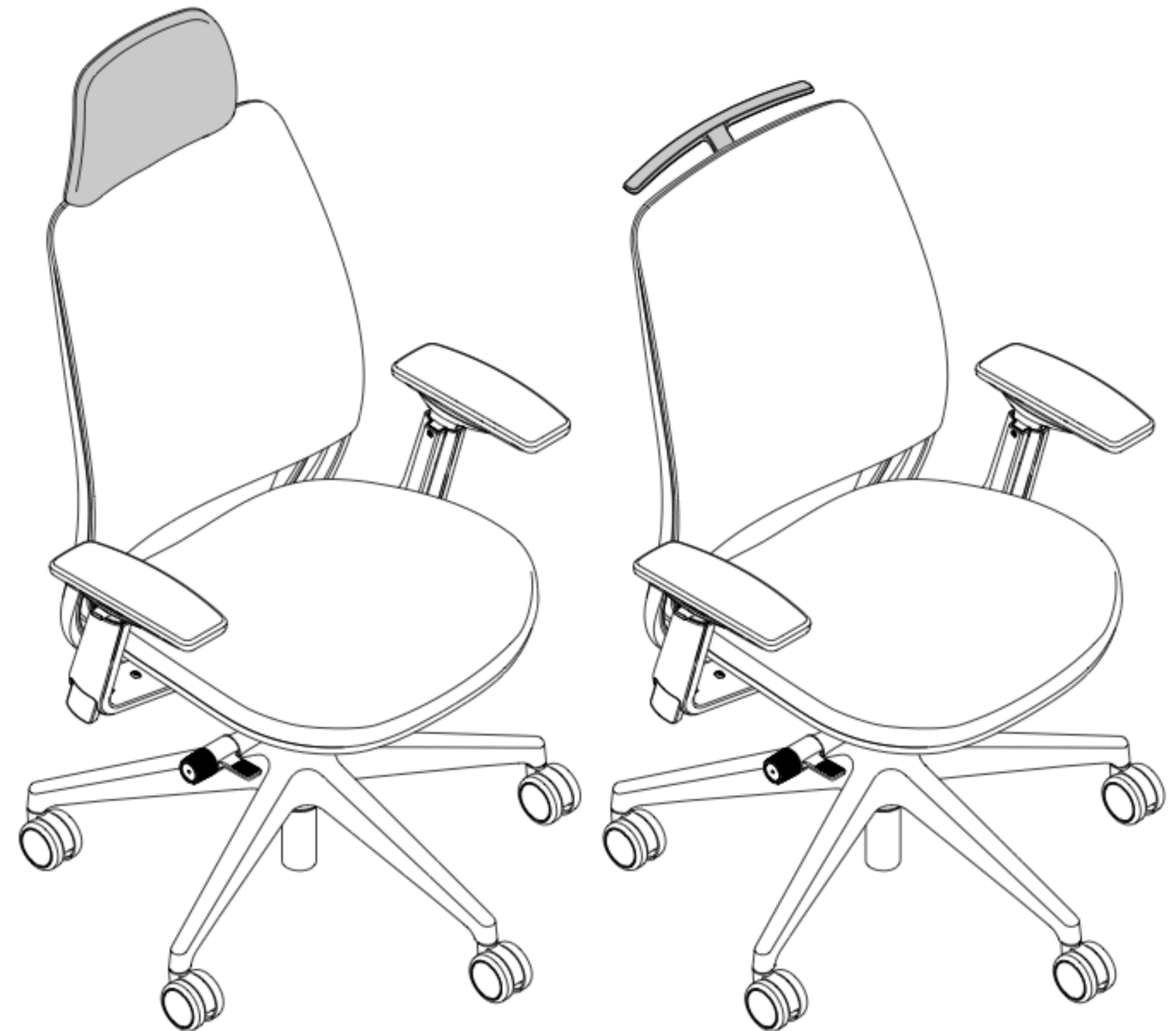


# Install Headrest or Coat Hanger on Steelcase Series® 1 and Series® 2 Chairs



**Steelcase Series 1**



**Steelcase Series 2**

If you have a problem, question, or request, call your local dealer, or Steelcase Line 1 at **888.STEELCASE** (888.783.3522) for immediate action by people who want to help you.

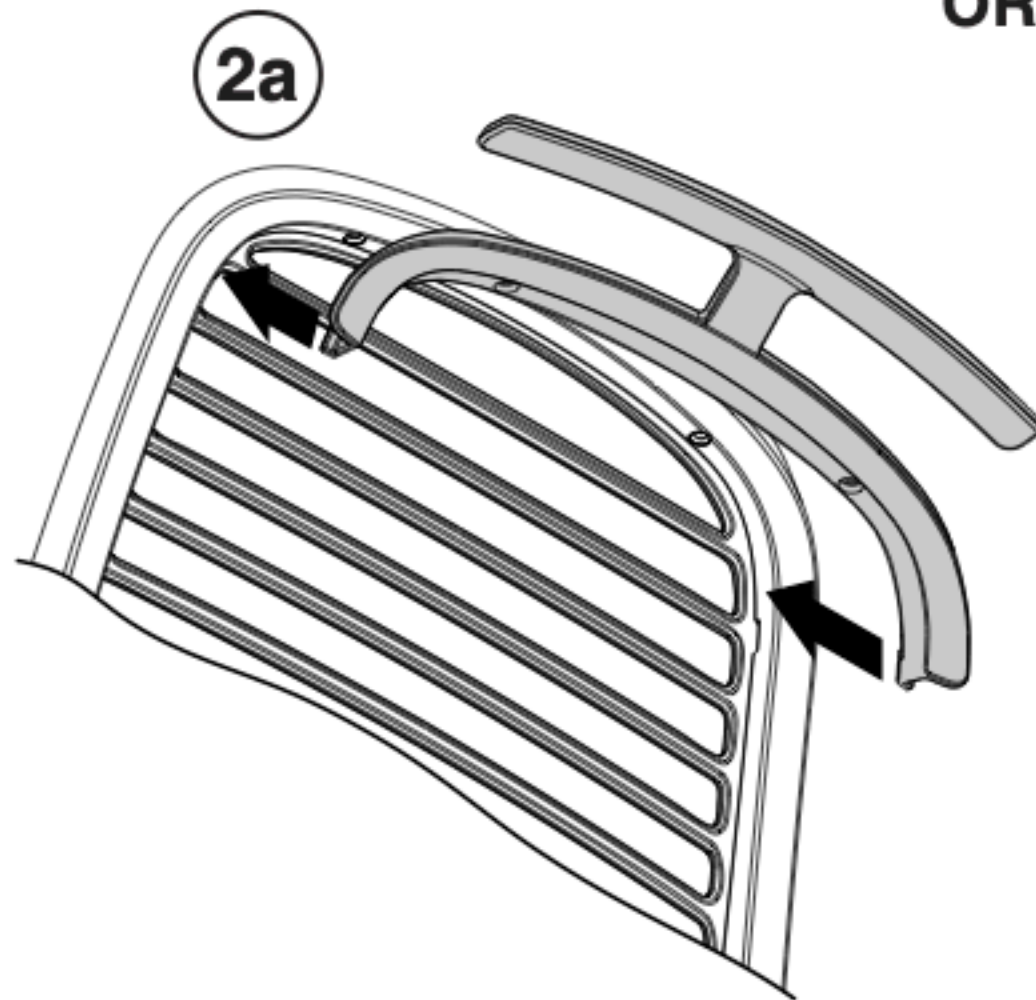
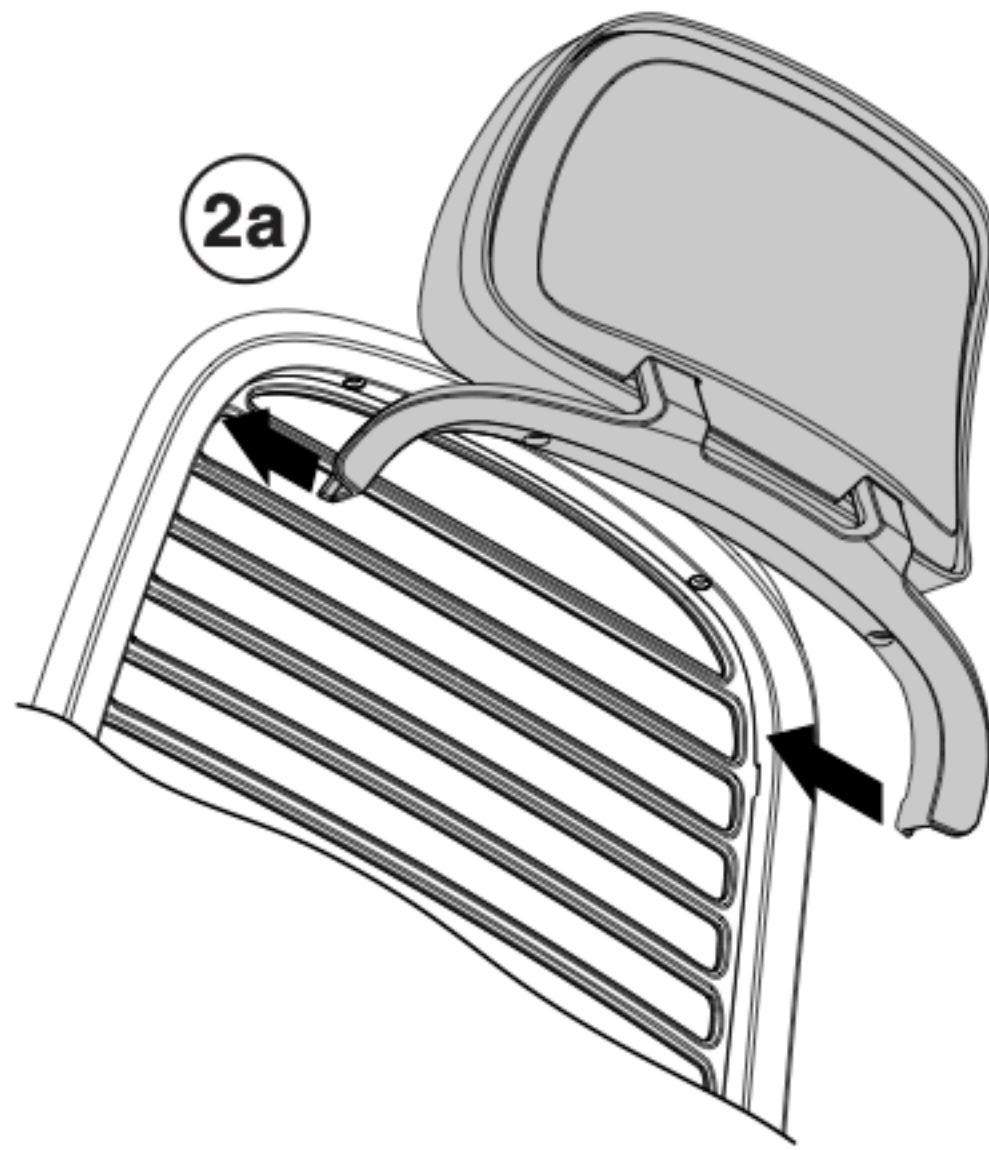
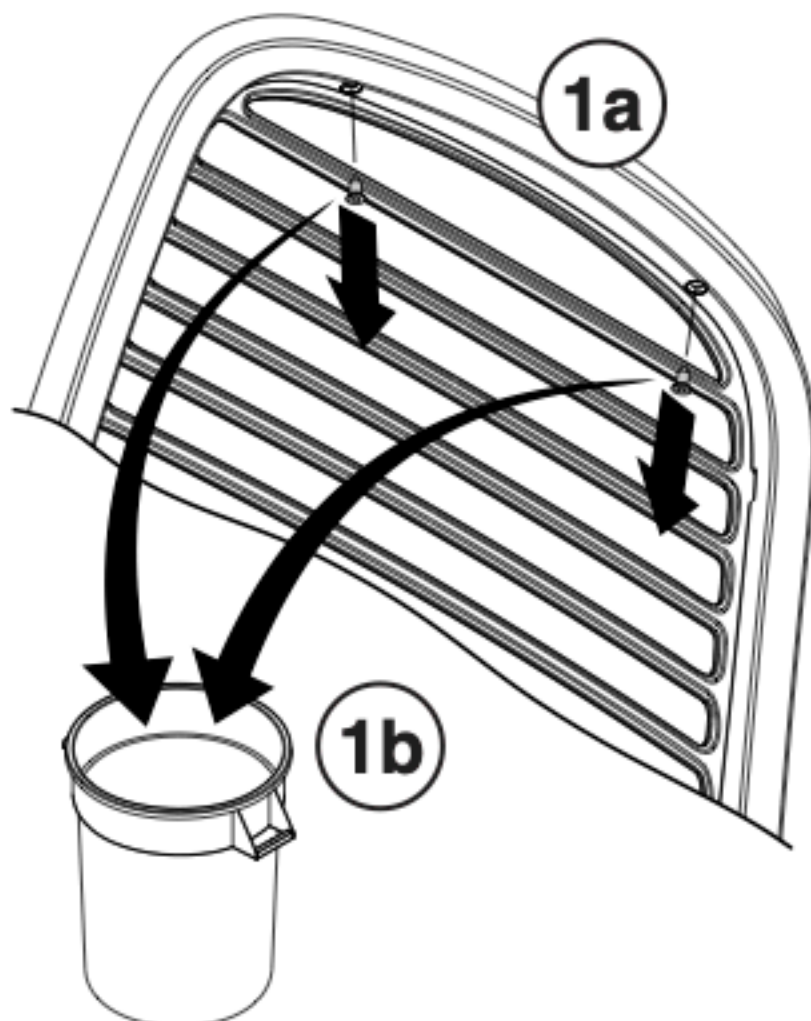
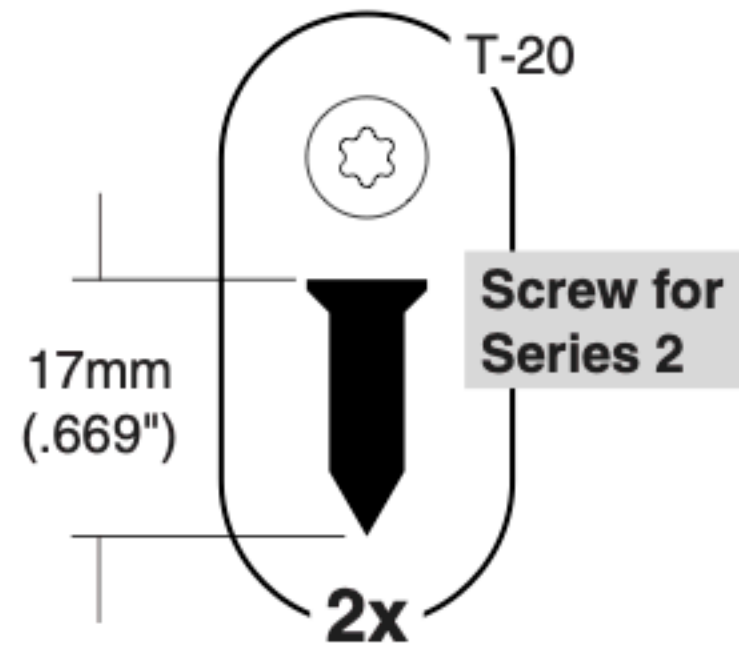
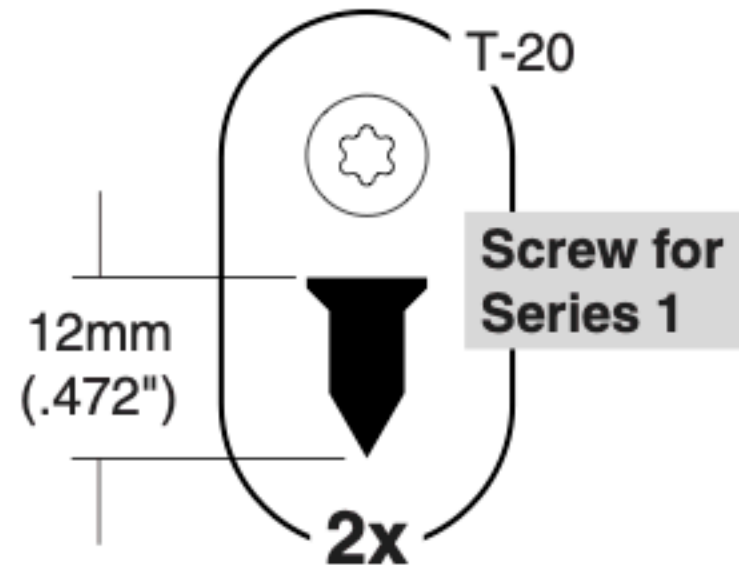
(Outside the U.S.A., Canada, Mexico, Puerto Rico, and the U.S. Virgin Islands, call: 1.616.247.2500)

Or visit our website: [www.steelcase.com](http://www.steelcase.com)

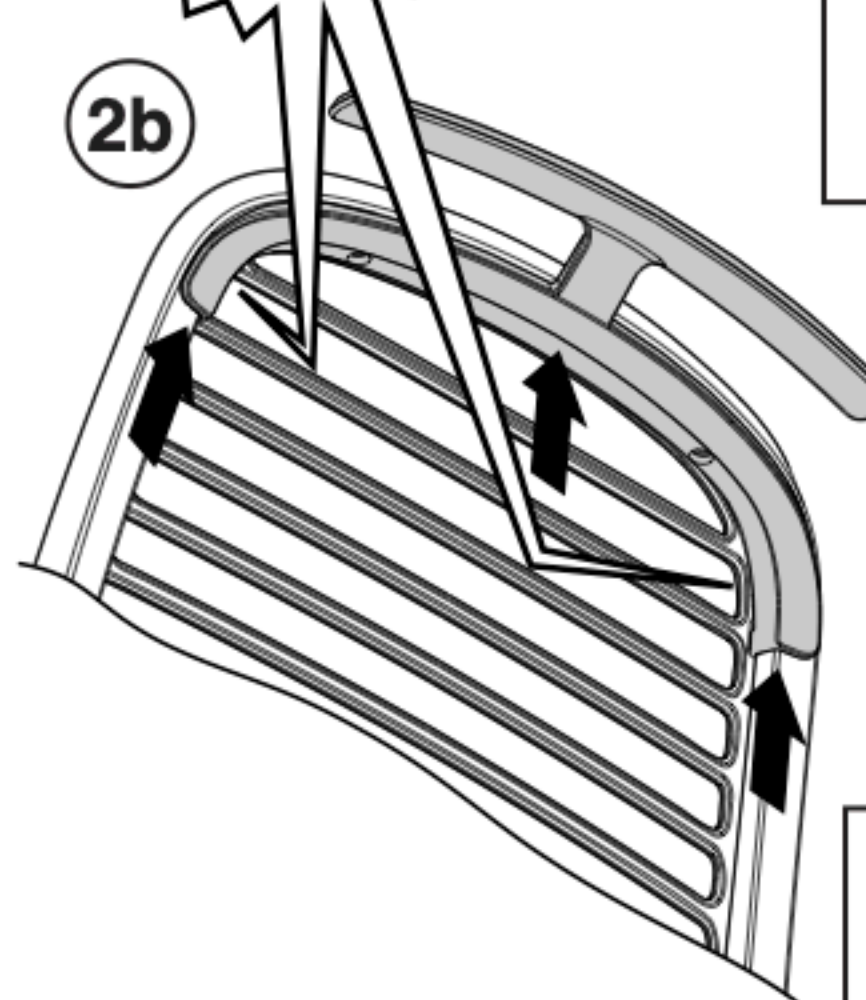
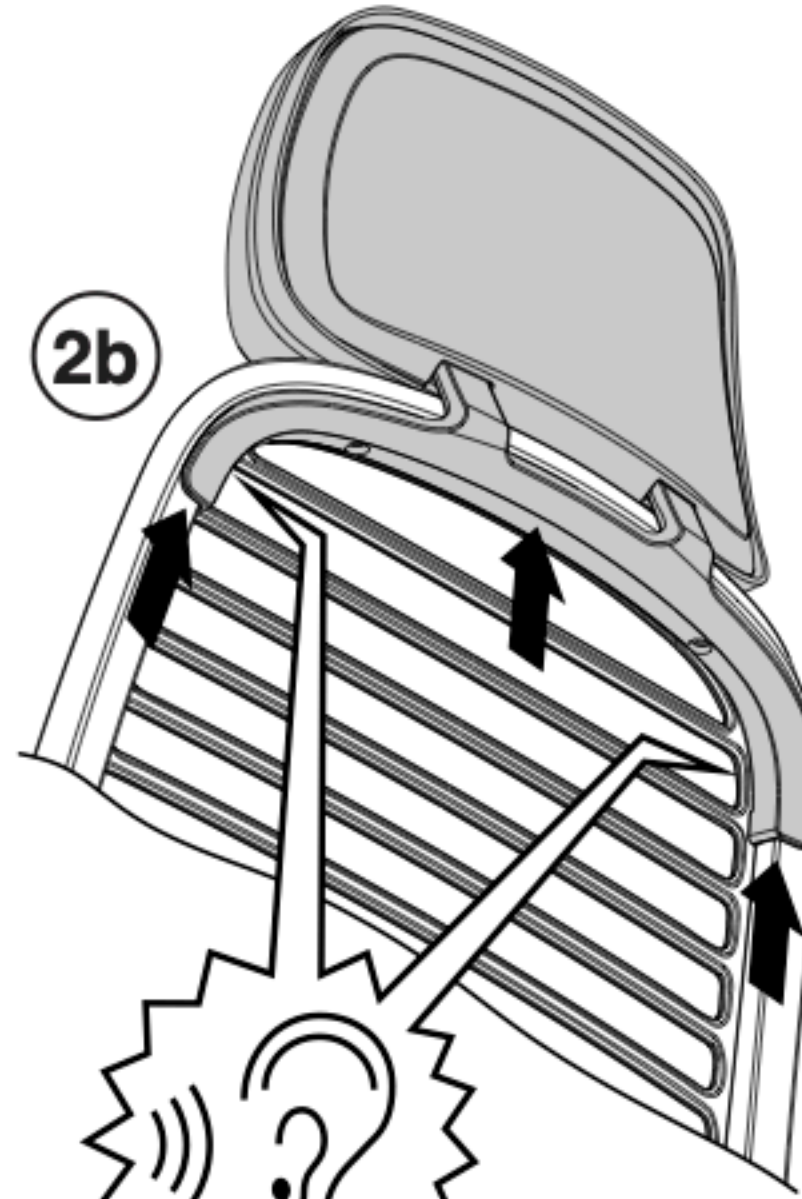
© 2017 Steelcase Inc.  
Grand Rapids, MI 49501  
U.S.A.

Printed in U.S.A.

(Series 1 shown)

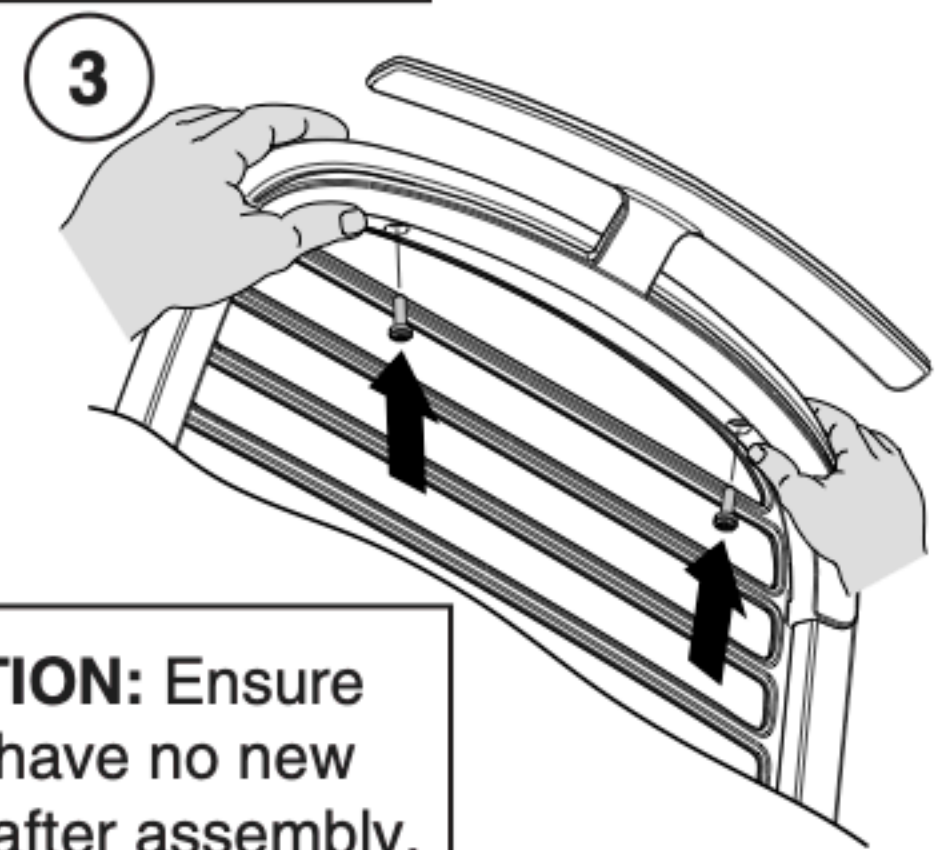
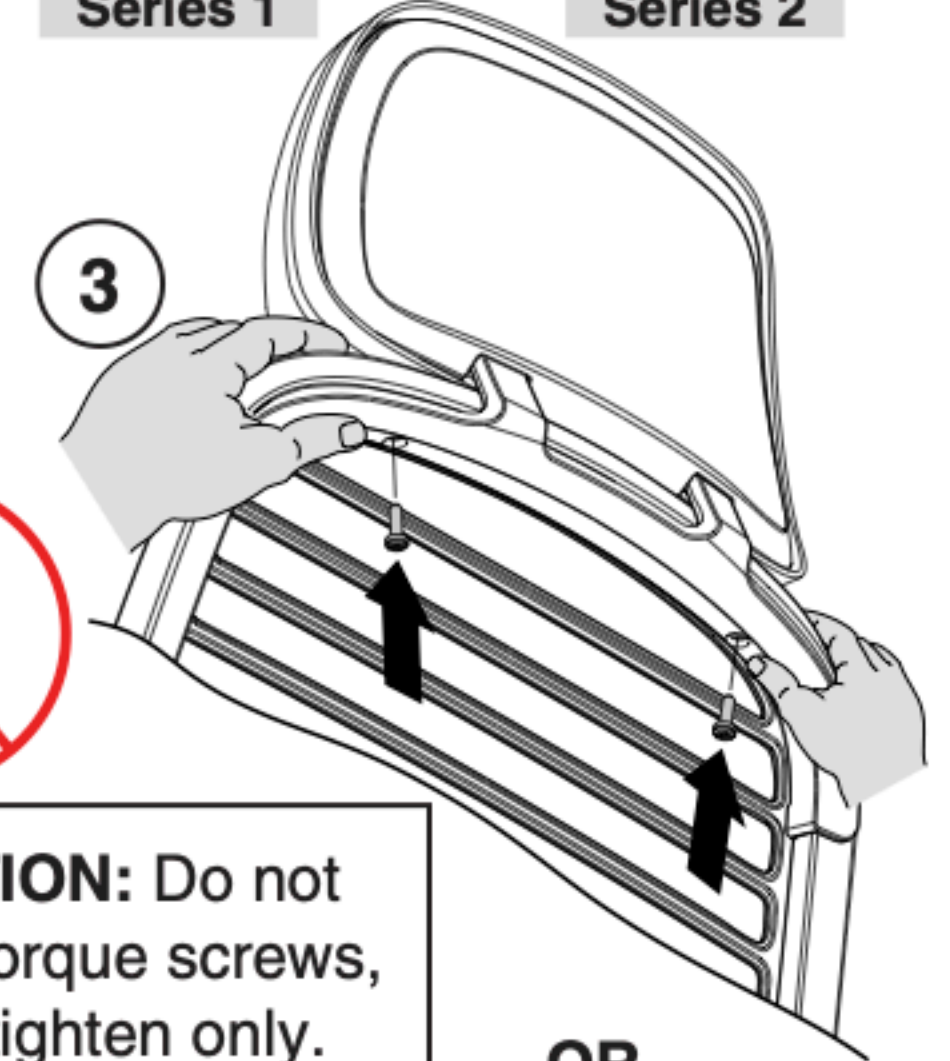
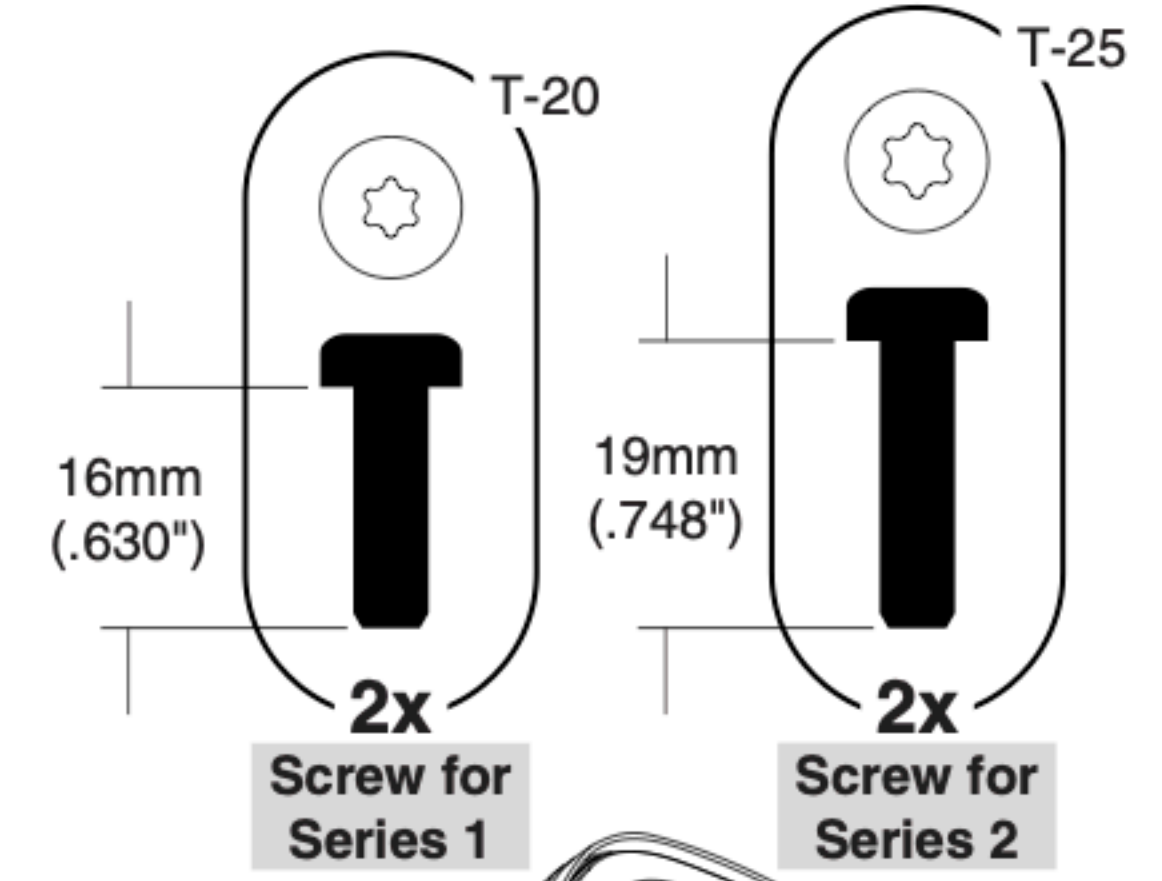


OR



**CAUTION:** Do not over-torque screws, hand tighten only.

**CAUTION:** Ensure parts have no new gaps after assembly.



OR