



**OKC**<sup>18</sup><sub>89</sub>  
ONTARIO KNIFE CO<sup>TM</sup>  
2023-2024

2  
3  
4  
5  
6  
7  
8  
9  
10

OKC® STEALTH  
BUSHCRAFT SEAX  
BESRA FXD  
SPL DIVE KNIFE  
SPL PACK KNIFE  
RAT®-1 RED  
CAMP PLUS EDC'S  
EPOCH  
CF100

2023 NEW PRODUCTS

11  
12  
13  
14  
15

OLD HICKORY® OUTDOOR FOLDER / MACHETE  
BLACK BIRD S35VN / RAT®-6  
RAT®-3 SERIES  
Ti 22 EQUINOX  
CAMP PLUS FOLDERS

2022 NEW PRODUCTS

16  
27  
33  
39  
45  
55

FIXED BLADES  
OKC® FEATURE  
FOLDING BLADES  
TOOLS  
CUTLERY  
CHROMATICS PREP TOOLS

### WARRANTY INFORMATION

Ontario Knife Company® prides itself for its over 130 years of quality manufacturing. OKC products manufactured in the United States are backed by a limited lifetime warranty; if any of our Made in the U.S.A. products fail due to their structural integrity, not including cosmetic damage due to use, we will repair or replace it free of charge with the same item or an item of equal value. The structural build, not including cosmetic damage from use, of OKC International and globally sourced products are backed by a one-year limited warranty. All warranties exclude products subject to abuse, misuse, modification or neglect.

# ONTARIO KNIFE CO.™ 2023-2024 CATALOG

# OKC<sup>18</sup><sub>89</sub>

ONTARIO KNIFE CO.™

## OKC® STEALTH

The OKC Stealth is a tactical knife inspired by Japanese blade design. Built to be low profile, the Stealth not only will be easy to wear and use, but it will be just as durable. The 3.5" blade will be made of S35VN with a full tang construction covered by double black micarta handle scales. Fully blacked out on the blade and handle, this knife lives up to its name. Ergonomics on the handle allow for a comfortable and supported grip which tapers down to a point for striking and shattering and tight serrations on the blade add a utilitarian nature.



- ▶ **OVERALL LENGTH** 9.13IN (23.19cm)
- ▶ **BLADE LENGTH** 3.56IN (9.04cm)
- ▶ **BLADE MATERIAL** S35VN
- ▶ **BLADE HARDNESS** 57-59HRC
- ▶ **HANDLE MATERIAL** MICARTA
- ▶ **SHEATH** NYLON

#8198



TACTICAL



SURVIVAL



MADE IN USA

## BUSHCRAFT SEAX

The Bushcraft Seax is the latest addition to Ontario's Bushcraft series. Based on the historic Anglo-Saxon seax (seax is the Old English word for knife) it is a design that was popular from about the 7th-12th century. The deep clip forms a narrow point which is optimized for fine cutting work and only 1/4" above the blade edge line to maximize cutting forces similar to a sheepsfoot blade edge. The hilt is the ergonomic and time tested Bushcraft Field Knife hilt and the handle scales are made of laminated hardwood. Overall the knife reflects the over 500 year tradition of functional seax design made with modern materials and technology



- ▶ **OVERALL LENGTH** // 9.63IN (24.4cm)
- ▶ **BLADE LENGTH** // 4.43IN (11.2cm)
- ▶ **BLADE MATERIAL** // 420 STAINLESS STEEL
- ▶ **BLADE HARDNESS** // 52-56HRC
- ▶ **HANDLE MATERIAL** // HARDWOOD
- ▶ **SHEATH** // NYLON

#6300



HUNTING ◀



SURVIVAL ◀



MADE IN USA ◀



## BESRA FXD

The Sheepsfoot blade design of the Besra folder inspired the new Besra FXD. The blade shape lends itself to being a great chopper and all around Bushcraft utility knife. Maintaining the same great ergonomics from the folder handle, the Besra FXD is comfortable in hand and has micarta scales for grip and durability.



- ▶ **OVERALL LENGTH** // 8IN (20.3cm)
- ▶ **BLADE LENGTH** // 3.25IN (8.2cm)
- ▶ **BLADE MATERIAL** // 1075 HIGH CARBON STEEL
- ▶ **BLADE HARDNESS** // 57-59HRC
- ▶ **HANDLE MATERIAL** // MICARTA
- ▶ **SHEATH** // LEATHER

#9002



HUNTING ◀



SURVIVAL ◀



MADE IN USA ◀



## SPL DIVE KNIFE

The SPL (Sport Leisure) Dive Knife is an innovative offering from Ontario Knife Company that starts at the blade's shape and keeps delivering all the way into the design of the sheath. From the blunted, chisel or pry-bar style tip for help avoiding unwanted punctures, to the actual blade material which is made of a premium steel called Magnacut. The SPL series repels corrosion in extremely harsh conditions thanks to the choice of Magnacut and G10 handle scales. The sheath is designed to snap-lock onto the depression in the hilt of the handle for maximum sheath retention, belt loops are molded in for multiple configuration choices when attaching.



- ▶ **OVERALL LENGTH** // 8.6IN (21.8cm)
- ▶ **BLADE LENGTH** // 4.14IN (10.5cm)
- ▶ **BLADE MATERIAL** // MAGNACUT
- ▶ **BLADE HARDNESS** // 60-63HRC
- ▶ **HANDLE MATERIAL** // G10
- ▶ **SHEATH** // PLASTIC

#6140



## SPL PACK KNIFE

The SPL (Sport Leisure) Pack knife is a simple drop point design with a thin comfortable contoured handle. It has a thin blade with a full flat grind for good slicing and food prep abilities but still tough enough for light chopping chores. It would be at home as a backpacking, hiking, climbing, camp, hunting knife or anywhere corrosion or moisture could be an issue. The SPL series repels corrosion in extremely harsh conditions thanks to the choice of Magnacut and G10 handles. The sheath is designed to snap-lock onto the depression in the hilt of the handle for maximum sheath retention, belt loops are molded for multiple configuration choices when attaching.



- ▶ **OVERALL LENGTH** // 8IN (20.3cm)
- ▶ **BLADE LENGTH** // 3.90IN (10cm)
- ▶ **BLADE MATERIAL** // MAGNACUT
- ▶ **BLADE HARDNESS** // 60-63HRC
- ▶ **HANDLE MATERIAL** // G10
- ▶ **SHEATH** // PLASTIC

#6200



**OKC<sup>18</sup><sub>89</sub>**  
ONTARIO KNIFE CO™

## RAT®-1 RED

Everything there is to love about the original RAT® folder series with a brand-new color! This new handle color is inspired by our own Ontario Knife Co™ branding. Along with the brand-new handle color comes an update in the markings which include our 1889 maker's mark on the clip and the original Randall Adventure training logo for the blade, which has also been updated to S35VN steel and coupled with G10 handle scales!



▶ <b>OVERALL LENGTH</b>	8.5IN (21.6cm)
▶ <b>BLADE LENGTH</b>	3.5IN (8.9cm)
▶ <b>BLADE MATERIAL</b>	S35VN
▶ <b>BLADE HARDNESS</b>	58-60HRC
▶ <b>HANDLE MATERIAL</b>	G10
▶ <b>SHEATH</b>	N/A

#8864



EDC



STAINLESS

**OKC<sup>18</sup><sub>89</sub>**  
ONTARIO KNIFE CO™

## CAMP PLUS EDC'S

Camp Plus is a brand focused on providing the right tools for your camping and adventuring experiences. These new EDC options combine the glass-filled nylon handle durability, low-profile and extremely lightweight construction from the CP Kitchen folders with a black powder coated, clip point, 420 stainless steel blade that's all accompanied by a strong lock-back system. Pick from three color options: Frost, Midnight, and Forest.



### CAMP PLUS EDC MIDNIGHT #4315GREY

▶ <b>OVERALL LENGTH</b>	7.63IN (19.38cm)
▶ <b>BLADE LENGTH</b>	3.38IN (8.6cm)
▶ <b>BLADE MATERIAL</b>	420 STAINLESS STEEL
▶ <b>BLADE HARDNESS</b>	52-54HRC
▶ <b>HANDLE MATERIAL</b>	GLASS FILLED NYLON
▶ <b>SHEATH</b>	N/A

### CAMP PLUS EDC FOREST #4315GREEN

▶ <b>OVERALL LENGTH</b>	7.63IN (19.38cm)
▶ <b>BLADE LENGTH</b>	3.38IN (8.6cm)
▶ <b>BLADE MATERIAL</b>	420 STAINLESS STEEL
▶ <b>BLADE HARDNESS</b>	52-54HRC
▶ <b>HANDLE MATERIAL</b>	GLASS FILLED NYLON
▶ <b>SHEATH</b>	N/A

### CAMP PLUS EDC FROST #4315WHITE

▶ <b>OVERALL LENGTH</b>	7.63IN (19.38cm)
▶ <b>BLADE LENGTH</b>	3.38IN (8.6cm)
▶ <b>BLADE MATERIAL</b>	420 STAINLESS STEEL
▶ <b>BLADE HARDNESS</b>	52-54HRC
▶ <b>HANDLE MATERIAL</b>	GLASS FILLED NYLON
▶ <b>SHEATH</b>	N/A



EDC



STAINLESS

# OKC<sup>18</sup><sub>89</sub>

ONTARIO KNIFE CO™

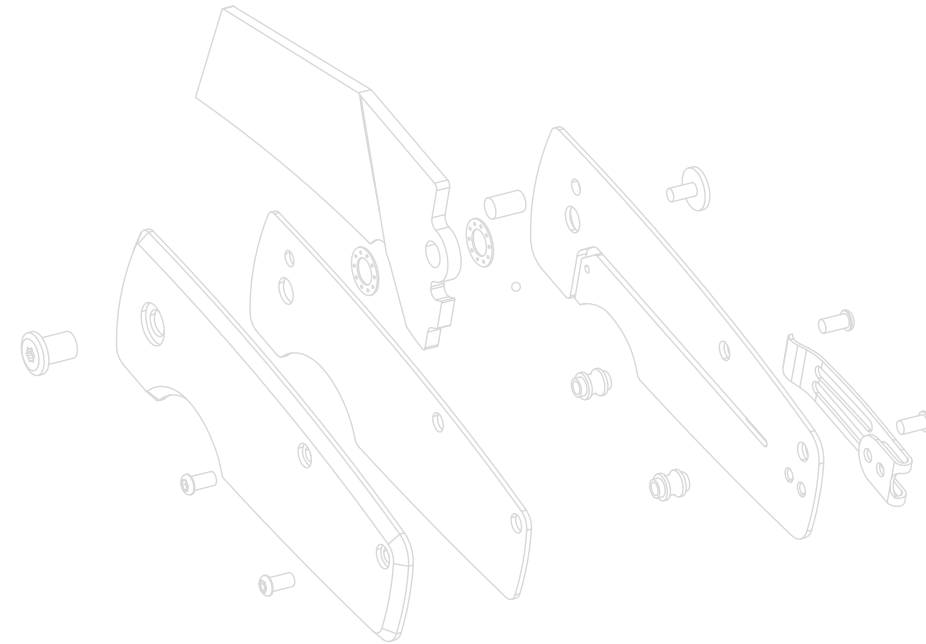
## EPOCH

Epoch [ ep-uhk or, especially British, ee-pok ] Noun, a particular period of time marked by distinctive features, events, etc. This folder has the look of something from a by-gone age and the feel of something modern! The talon-like, curved blade coated in a sandy-tan is made from D2 steel while the front scale is an earthy green G10 and the frame-lock scale is a stainless steel.



- ▶ **OVERALL LENGTH** 6.65IN (30.7cm)
- ▶ **BLADE LENGTH** 2.4IN (2.1cm)
- ▶ **BLADE MATERIAL** D2
- ▶ **BLADE HARDNESS** 58-60HRC
- ▶ **HANDLE MATERIAL** G10/STAINLESS STEEL
- ▶ **SHEATH** N/A

#9500



# OKC<sup>18</sup><sub>89</sub>

ONTARIO KNIFE CO™

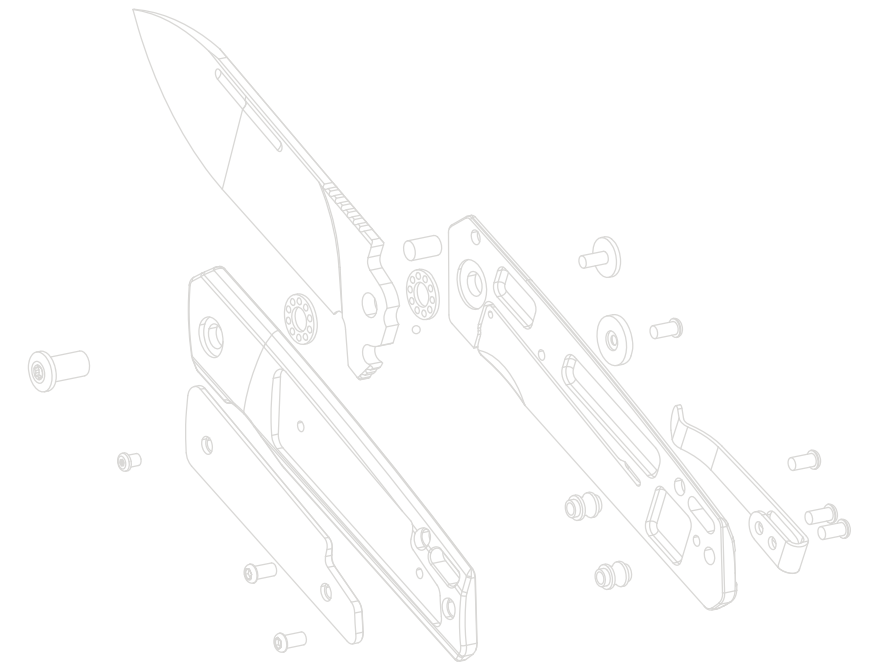
## CF100

The CF100 is a sleek everyday carry that combines 14C28 blade steel, carbon fiber inlay, a stainless steel, frame lock handle and a spearpoint style blade profile. Not only is the CF100 a well crafted tool, but a piece you can be proud to display when the time comes to show off your new folder!



- ▶ **OVERALL LENGTH** 7.34IN (18.64cm)
- ▶ **BLADE LENGTH** 3.13IN (7.95cm)
- ▶ **BLADE MATERIAL** 14C28
- ▶ **BLADE HARDNESS** 58-60HRC
- ▶ **HANDLE MATERIAL** STAINLESS STEEL
- ▶ **SHEATH** N/A

#8600



▶ **OLD HICKORY® OUTDOOR FOLDER / MACHETE**

This slip joint folder is the newest addition to the Old Hickory Outdoor line-up. Walnut scales, brass liners, stainless steel blade and one hundred percent American made, making this knife a sure thing for any every day carry enthusiast.

The new compact Old Hickory Machete retains the classic look of the Old Hickory line with an American walnut handle and traditional brass cutlery rivets. The handle incorporates a “bird’s beak” butt which anchors the handle and allows the machete to rotate around the pinky for effective cutting with just a flick of the wrist.



OH-O FOLDER

#7022

- ▶ **OVERALL LENGTH** 5.6IN (14.2cm)
- ▶ **BLADE LENGTH** 2.9IN (7.4cm)
- ▶ **BLADE MATERIAL** 1075 HGH CARBON STEEL
- ▶ **BLADE HARDNESS** 56-58HRC
- ▶ **HANDLE MATERIAL** HARDWOOD
- ▶ **SHEATH** N/A



OH-O MACHETE

#7055

- ▶ **OVERALL LENGTH** 15.6IN (39.62cm)
- ▶ **BLADE LENGTH** 9IN (22.8cm)
- ▶ **BLADE MATERIAL** 1075 HGH CARBON STEEL
- ▶ **BLADE HARDNESS** 57-59HRC
- ▶ **HANDLE MATERIAL** HARDWOOD
- ▶ **SHEATH** LEATHER



TOOLS ▾



HUNTING ▾



SURVIVAL ▾



MADE IN USA ▾

▶ **BLACK BIRD S35VN / RAT®-6**

The follow-up to the Black Bird ML5 is the Black Bird S35VN. The biggest differences here are steel choice, the ML5 was made with 420HCSS whereas this option has S35VN steel construction. Staying with the micarta handle material, the color choice has changed for this knife, moving to a more tactical look with black scales. Nylon sheath MOLLE compatible.

RAT Fixed blades have proven themselves to be some of the most field ready knives you can add to your collection, The RAT 6 is no exception. Measuring in at 5.5” in blade length with a deep finger choil, RAT standard micarta handles, full S35VN steel tang construction, this knife has the capabilities of a large chopper and detail knife in one.



BLACK BIRD S35VN

#7503

- ▶ **OVERALL LENGTH** 10IN (25.4cm)
- ▶ **BLADE LENGTH** 5IN (12.7cm)
- ▶ **BLADE MATERIAL** S35VN
- ▶ **BLADE HARDNESS** 58-60HRC
- ▶ **HANDLE MATERIAL** MICARTA
- ▶ **SHEATH** NYLON



RAT®- 6

#8659

- ▶ **OVERALL LENGTH** 12.1IN (30.7cm)
- ▶ **BLADE LENGTH** 5.5IN (14cm)
- ▶ **BLADE MATERIAL** S35VN
- ▶ **BLADE HARDNESS** 58-60HRC
- ▶ **HANDLE MATERIAL** MICARTA
- ▶ **SHEATH** NYLON



HUNTING ▾



SURVIVAL ▾



MADE IN USA ▾

## RAT®-3 SERIES

Compact sizing can be a huge advantage in a knife, the RAT 3 has shown that time and time again. These new blade patterns are coupled with the RAT 3 handle shape, giving them a great lightweight carry feel and low profile.



### RAT®-3 GOBAR #8660

- ▶ **OVERALL LENGTH** 7.81IN (19.8cm)
- ▶ **BLADE LENGTH** 3.51IN (8.9cm)
- ▶ **BLADE MATERIAL** HIGH CARBON STEEL
- ▶ **BLADE HARDNESS** 57-59HRC
- ▶ **HANDLE MATERIAL** MICARTA
- ▶ **SHEATH** NYLON

### RAT®-3 UTILITY #8662

- ▶ **OVERALL LENGTH** 7.91IN (20.1cm)
- ▶ **BLADE LENGTH** 3.41IN (8.6cm)
- ▶ **BLADE MATERIAL** HIGH CARBON STEEL
- ▶ **BLADE HARDNESS** 57-59HRC
- ▶ **HANDLE MATERIAL** MICARTA
- ▶ **SHEATH** NYLON

### RAT®-3 SKINNER #8661

- ▶ **OVERALL LENGTH** 7.75IN (19.7cm)
- ▶ **BLADE LENGTH** 3.75IN (9.5cm)
- ▶ **BLADE MATERIAL** HIGH CARBON STEEL
- ▶ **BLADE HARDNESS** 57-59HRC
- ▶ **HANDLE MATERIAL** MICARTA
- ▶ **SHEATH** LEATHER

### RAT®-3 CAPER #8663

- ▶ **OVERALL LENGTH** 8.25IN (24.16cm)
- ▶ **BLADE LENGTH** 3IN (21cm)
- ▶ **BLADE MATERIAL** HIGH CARBON STEEL
- ▶ **BLADE HARDNESS** 57-59HRC
- ▶ **HANDLE MATERIAL** MICARTA
- ▶ **SHEATH** LEATHER

## Ti22 EQUINOX

The second installment of the Ti 22 series is the Equinox. Keeping in line with the name the Equinox has a fully titanium handle with a S35VN, black coated blade. The handle is an iridescent bronze color that contrasts with the black blade.



### Ti 22 EQUINOX #9805

- ▶ **OVERALL LENGTH** 7.44IN (18.9cm)
- ▶ **BLADE LENGTH** 3.03IN (7.7cm)
- ▶ **BLADE MATERIAL** S35VN
- ▶ **BLADE HARDNESS** 58-60HRC
- ▶ **HANDLE MATERIAL** TITANIUM
- ▶ **SHEATH** N/A



TOOLS ▾



HUNTING ▾



SURVIVAL ▾



MADE IN USA ▾



EDC ▾



STAINLESS ▾



## CAMP PLUS FOLDERS

Camp Plus is a brand focused on providing the right tools for your camping and adventuring experiences. We know you love cooking while you're roughing it and we just made it that much more convenient! These folding kitchen knives come with durable glass filled nylon handles and stainless steel blades with three different options, a Chef's knife, Santoku and Bread knife. Easy to transport, easy to clean and take up a lot less space than lugging your home kitchen set with you every time!



CAMP PLUS BREAD KNIFE #4310

- ▶ **OVERALL LENGTH** 9.51IN (24.16cm)
- ▶ **BLADE LENGTH** 4.25IN (10.8cm)
- ▶ **BLADE MATERIAL** 420 STAINLESS STEEL
- ▶ **BLADE HARDNESS** 52-56HRC
- ▶ **HANDLE MATERIAL** GLASS FILED NYLON
- ▶ **SHEATH** N/A



CAMP PLUS CHEF KNIFE #4300

- ▶ **OVERALL LENGTH** 9.51IN (24.16cm)
- ▶ **BLADE LENGTH** 4.25IN (10.8cm)
- ▶ **BLADE MATERIAL** 420 STAINLESS STEEL
- ▶ **BLADE HARDNESS** 52-56HRC
- ▶ **HANDLE MATERIAL** GLASS FILED NYLON
- ▶ **SHEATH** N/A



CAMP PLUS SANTOKU #4305

- ▶ **OVERALL LENGTH** 9.51IN (24.16cm)
- ▶ **BLADE LENGTH** 4.25IN (10.8cm)
- ▶ **BLADE MATERIAL** 420 STAINLESS STEEL
- ▶ **BLADE HARDNESS** 52-56HRC
- ▶ **HANDLE MATERIAL** GLASS FILED NYLON
- ▶ **SHEATH** N/A



TOOLS



SURVIVAL



STAINLESS

## OKC® STACKED LEATHER HANDLES

Ontario Knife Company has produced the majority of these knives for many decades. Most have seen combat with U.S. armed forces. Needless to say, these veteran blades are not in the business of giving quarter.



498 COMBAT #8180

- ▶ **OVERALL LENGTH** 12IN (30.5cm)
- ▶ **BLADE LENGTH** 7.1IN (18cm)
- ▶ **BLADE MATERIAL** 1075 HIGH CARBON STEEL
- ▶ **BLADE HARDNESS** 55-57HRC
- ▶ **HANDLE MATERIAL** LEATHER
- ▶ **SHEATH** LEATHER



499 SURVIVAL KNIFE #6150

- ▶ **OVERALL LENGTH** 9.6IN (24.4cm)
- ▶ **BLADE LENGTH** 5.1IN (13cm)
- ▶ **BLADE MATERIAL** 1075 HIGH CARBON STEEL
- ▶ **BLADE HARDNESS** 50-55HRC
- ▶ **HANDLE MATERIAL** LEATHER
- ▶ **SHEATH** LEATHER



MARK III TRENCH KNIFE #8155

- ▶ **OVERALL LENGTH** 11.7IN (29.7cm)
- ▶ **BLADE LENGTH** 6.8IN (17.3cm)
- ▶ **BLADE MATERIAL** HIGH CARBON STEEL
- ▶ **BLADE HARDNESS** 57-59HRC
- ▶ **HANDLE MATERIAL** LEATHER
- ▶ **SHEATH** LEATHER



TACTICAL



SURVIVAL



MADE IN USA

## OKC<sup>®</sup> TACTICAL

Ontario Knife Company is one of the few remaining American bayonet manufacturers and the sole source of the combat deployed OKC3S bayonet. Complementing our legacy of military issued bayonets, which include the M9 and the storied M7, Ontario Knife's tactical blades include the Air Warrior Program's ASEK survival knife, the Freedom Fighter<sup>®</sup>, OKC's Kukri and the Navy-issued Mark III.



### ASEK<sup>®</sup>

#1400

- ▶ **OVERALL LENGTH** 10.2IN (25.9cm)
- ▶ **BLADE LENGTH** 4.9IN (12.3cm)
- ▶ **BLADE MATERIAL** 1075 HIGH CARBON STEEL
- ▶ **BLADE HARDNESS** 55-57HRC
- ▶ **HANDLE MATERIAL** MOLDED PLASTIC
- ▶ **SHEATH** NYLON

### MOD MARK 3

#6141

- ▶ **OVERALL LENGTH** 11.1IN (28.2cm)
- ▶ **BLADE LENGTH** 7.1IN (18.1cm)
- ▶ **BLADE MATERIAL** 420 STAINLESS STEEL
- ▶ **BLADE HARDNESS** 50-54HRC
- ▶ **HANDLE MATERIAL** MOLDED PLASTIC
- ▶ **SHEATH** MOLDED PLASTIC

### M11<sup>®</sup> EOD

#1982

- ▶ **OVERALL LENGTH** 12.4IN (31.5cm)
- ▶ **BLADE LENGTH** 7.1IN (18.1cm)
- ▶ **BLADE MATERIAL** 420 MODIFIED
- ▶ **BLADE HARDNESS** 53-57HRC
- ▶ **HANDLE MATERIAL** MOLDED PLASTIC
- ▶ **SHEATH** GLASS FILLED NYLON



### M7-B<sup>®</sup> BAYONET

#6277

- ▶ **OVERALL LENGTH** 11.9IN (30.3cm)
- ▶ **BLADE LENGTH** 6.7IN (17.1cm)
- ▶ **BLADE MATERIAL** 1080 HIGH CARBON STEEL
- ▶ **BLADE HARDNESS** 55-57HRC
- ▶ **HANDLE MATERIAL** MOLDED PLASTIC
- ▶ **SHEATH** MOLDED PLASTIC



### M7<sup>®</sup> BAYONET

#8185

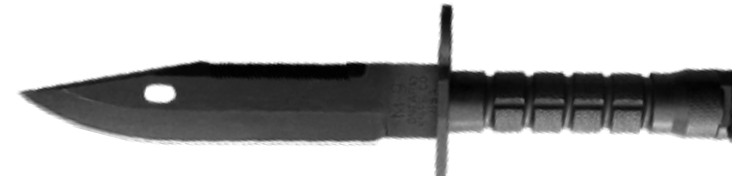
- ▶ **OVERALL LENGTH** 11.9IN (30.3cm)
- ▶ **BLADE LENGTH** 6.7IN (17.1cm)
- ▶ **BLADE MATERIAL** 1080 HIGH CARBON STEEL
- ▶ **BLADE HARDNESS** 55-57HRC
- ▶ **HANDLE MATERIAL** PLASTIC
- ▶ **SHEATH** NYLON



### OKC<sup>®</sup> 3S BAYONET

#6504

- ▶ **OVERALL LENGTH** 13.3IN (33.7cm)
- ▶ **BLADE LENGTH** 8IN (20.3cm)
- ▶ **BLADE MATERIAL** 1095 HIGH CARBON STEEL
- ▶ **BLADE HARDNESS** 55-57HRC
- ▶ **HANDLE MATERIAL** MOLDED PLASTIC
- ▶ **SHEATH** MOLDED PLASTIC



### M9<sup>®</sup> BAYONET BLACK

#6143

- ▶ **OVERALL LENGTH** 12.4IN (31.5cm)
- ▶ **BLADE LENGTH** 7.1IN (18.1cm)
- ▶ **BLADE MATERIAL** 420 MODIFIED
- ▶ **BLADE HARDNESS** 53-57HRC
- ▶ **HANDLE MATERIAL** MOLDED PLASTIC
- ▶ **SHEATH** GLASS FILLED NYLON



### M9<sup>®</sup> BAYONET GREEN

#6220

- ▶ **OVERALL LENGTH** 12.4IN (31.5cm)
- ▶ **BLADE LENGTH** 7.1IN (18.1cm)
- ▶ **BLADE MATERIAL** 420 MODIFIED
- ▶ **BLADE HARDNESS** 53-57HRC
- ▶ **HANDLE MATERIAL** MOLDED PLASTIC
- ▶ **SHEATH** GLASS FILLED NYLON



TACTICAL



SURVIVAL



MADE IN USA



TACTICAL



SURVIVAL



MADE IN USA

OH-O FISH & SMALL GAME

#7024

- ▶ OVERALL LENGTH 8.7IN (22.1cm)
- ▶ BLADE LENGTH 4IN (10.2cm)
- ▶ BLADE MATERIAL 1075 HIGH CARBON STEEL
- ▶ BLADE HARDNESS 57-59HRC
- ▶ HANDLE MATERIAL HARDWOOD
- ▶ SHEATH LEATHER

OH-O HUNTING KNIFE

#7026

- ▶ OVERALL LENGTH 10.3IN (25.7cm)
- ▶ BLADE LENGTH 5.5IN (14cm)
- ▶ BLADE MATERIAL 1075 HIGH CARBON STEEL
- ▶ BLADE HARDNESS 55-57HRC
- ▶ HANDLE MATERIAL HARDWOOD
- ▶ SHEATH LEATHER

OH-O BIRD & TROUT

#7027

- ▶ OVERALL LENGTH 6.9IN (17.5cm)
- ▶ BLADE LENGTH 3.4IN (8.6cm)
- ▶ BLADE MATERIAL 1075 HIGH CARBON STEEL
- ▶ BLADE HARDNESS 57-59HRC
- ▶ HANDLE MATERIAL HARDWOOD
- ▶ SHEATH LEATHER

OH-O MINI FILET

#7028

- ▶ OVERALL LENGTH 6.9IN (17.5cm)
- ▶ BLADE LENGTH 3.4IN (10.2cm)
- ▶ BLADE MATERIAL 1075 HIGH CARBON STEEL
- ▶ BLADE HARDNESS 57-59HRC
- ▶ HANDLE MATERIAL HARDWOOD
- ▶ SHEATH LEATHER

OH-O FILET

#1275

- ▶ OVERALL LENGTH 10.9IN (27.8cm)
- ▶ BLADE LENGTH 6.4IN (16.2cm)
- ▶ BLADE MATERIAL PREMIUM STAINLESS
- ▶ BLADE HARDNESS 53-58HRC
- ▶ HANDLE MATERIAL HARDWOOD
- ▶ SHEATH LEATHER



## RAT® SERIES

Built to be versatile and durable, the RAT series features either high carbon or alloy carbon steel, tough micarta handles and MOLLE compatible sheaths. The RATs make ideal fixed blade “every day carry” (EDC) or for use on the work site, campground or down the range.



### RAT®-5

#8667

- ▶ **OVERALL LENGTH** 10.5IN (26.5cm)
- ▶ **BLADE LENGTH** 5IN (12.7cm)
- ▶ **BLADE MATERIAL** 1075 HIGH CARBON STEEL
- ▶ **BLADE HARDNESS** 57-59HRC
- ▶ **HANDLE MATERIAL** MICARTA
- ▶ **SHEATH** NYLON



### RAT®-7

#8668

- ▶ **OVERALL LENGTH** 12.2IN (31cm)
- ▶ **BLADE LENGTH** 7.2IN (18.3cm)
- ▶ **BLADE MATERIAL** 1075 HIGH CARBON STEEL
- ▶ **BLADE HARDNESS** 57-59HRC
- ▶ **HANDLE MATERIAL** MICARTA
- ▶ **SHEATH** NYLON



### RTAK®- II

#8669

- ▶ **OVERALL LENGTH** 16.6IN (42.2cm)
- ▶ **BLADE LENGTH** 10.3IN (26cm)
- ▶ **BLADE MATERIAL** 1075 HIGH CARBON STEEL
- ▶ **BLADE HARDNESS** 53-55HRC
- ▶ **HANDLE MATERIAL** MICARTA
- ▶ **SHEATH** NYLON



### TAK 1®

#8671

- ▶ **OVERALL LENGTH** 10IN (25.4cm)
- ▶ **BLADE LENGTH** 4.6IN (11.7cm)
- ▶ **BLADE MATERIAL** 1075 HIGH CARBON STEEL
- ▶ **BLADE HARDNESS** 57-59HRC
- ▶ **HANDLE MATERIAL** MICARTA
- ▶ **SHEATH** NYLON



### TAK 2®

#8664

- ▶ **OVERALL LENGTH** 9.9IN (25cm)
- ▶ **BLADE LENGTH** 4.2IN (10.7cm)
- ▶ **BLADE MATERIAL** 1075 HIGH CARBON STEEL
- ▶ **BLADE HARDNESS** 57-58HRC
- ▶ **HANDLE MATERIAL** STABILIZED HARDWOOD
- ▶ **SHEATH** LEATHER



### RAT®-3

#8665

- ▶ **OVERALL LENGTH** 7.9IN (20.1cm)
- ▶ **BLADE LENGTH** 3.9IN (9.8cm)
- ▶ **BLADE MATERIAL** 1075 HIGH CARBON STEEL
- ▶ **BLADE HARDNESS** 57-59HRC
- ▶ **HANDLE MATERIAL** MICARTA
- ▶ **SHEATH** NYLON



### RAT®-3 SERRATED

#8666

- ▶ **OVERALL LENGTH** 7.9IN (20.1cm)
- ▶ **BLADE LENGTH** 3.9IN (9.8cm)
- ▶ **BLADE MATERIAL** 1075 HIGH CARBON STEEL
- ▶ **BLADE HARDNESS** 57-59HRC
- ▶ **HANDLE MATERIAL** MICARTA
- ▶ **SHEATH** NYLON



TACTICAL



SURVIVAL



HUNTING



MADE IN USA



TACTICAL



SURVIVAL



HUNTING



MADE IN USA

## SPEC PLUS<sup>®</sup> SERIES

The SPEC PLUS products are a diverse mix of top-selling, classic and innovative knife and tool patterns designed for military, sporting and first responder purposes. Each knife in the SPEC PLUS series features a comfortable molded plastic handle, epoxy textured powder coat high carbon steel blades, full tang construction and a tactical sheath.



SP<sup>®</sup>-1 COMBAT

#8679

- ▶ **OVERALL LENGTH** 12.1IN (30.8cm)
- ▶ **BLADE LENGTH** 7IN (17.8cm)
- ▶ **BLADE MATERIAL** 1075 HIGH CARBON STEEL
- ▶ **BLADE HARDNESS** 57-59HRC
- ▶ **HANDLE MATERIAL** MOLDED PLASTIC
- ▶ **SHEATH** NYLON



SP<sup>®</sup>-2 SURVIVAL KNIFE

#8680

- ▶ **OVERALL LENGTH** 10.6IN (26.9cm)
- ▶ **BLADE LENGTH** 5.5IN (14cm)
- ▶ **BLADE MATERIAL** 1075 HIGH CARBON STEEL
- ▶ **BLADE HARDNESS** 57-59HRC
- ▶ **HANDLE MATERIAL** MOLDED PLASTIC
- ▶ **SHEATH** NYLON



SP<sup>®</sup>-5 BOWIE KNIFE

#8681

- ▶ **OVERALL LENGTH** 15.1IN (38.5cm)
- ▶ **BLADE LENGTH** 10IN (25.4cm)
- ▶ **BLADE MATERIAL** 1075 HIGH CARBON STEEL
- ▶ **BLADE HARDNESS** 57-59HRC
- ▶ **HANDLE MATERIAL** MOLDED PLASTIC
- ▶ **SHEATH** NYLON



SP<sup>®</sup>-6 FIGHTING KNIFE

#8682

- ▶ **OVERALL LENGTH** 13IN (32.9cm)
- ▶ **BLADE LENGTH** 7.9IN (20.1cm)
- ▶ **BLADE MATERIAL** 1075 HIGH CARBON STEEL
- ▶ **BLADE HARDNESS** 57-59HRC
- ▶ **HANDLE MATERIAL** MOLDED PLASTIC
- ▶ **SHEATH** NYLON



SP<sup>®</sup>-8 SURVIVAL MACHETE

#8683

- ▶ **OVERALL LENGTH** 15.2IN (38.5cm)
- ▶ **BLADE LENGTH** 10IN (25.5cm)
- ▶ **BLADE MATERIAL** 1075 HIGH CARBON STEEL
- ▶ **BLADE HARDNESS** 57-59HRC
- ▶ **HANDLE MATERIAL** MOLDED PLASTIC
- ▶ **SHEATH** NYLON



TACTICAL ◀



SURVIVAL ◀



MADE IN USA ◀



TACTICAL ◀



SURVIVAL ◀



MADE IN USA ◀



**OKC® KUKRI**

**#6420**

- ▶ **OVERALL LENGTH** 16.7IN (42.4cm)
- ▶ **BLADE LENGTH** 12.1IN (30.7cm)
- ▶ **BLADE MATERIAL** 1075 HIGH CARBON STEEL
- ▶ **BLADE HARDNESS** 57-59HRC
- ▶ **HANDLE MATERIAL** MOLDED PLASTIC
- ▶ **SHEATH** NYLON



**SP®-16 SPAX®**

**#8687**

- ▶ **OVERALL LENGTH** 13.1IN (33.2cm)
- ▶ **BLADE LENGTH** 5.2IN (13.1cm)
- ▶ **BLADE MATERIAL** 1075 HIGH CARBON STEEL
- ▶ **BLADE HARDNESS** 57-59HRC
- ▶ **HANDLE MATERIAL** MOLDED PLASTIC
- ▶ **SHEATH** NYLON



**SP®-10 RAIDER BOWIE**

**#8684**

- ▶ **OVERALL LENGTH** 15.2IN (38.5cm)
- ▶ **BLADE LENGTH** 7.9IN (20.1cm)
- ▶ **BLADE MATERIAL** 1075 HIGH CARBON STEEL
- ▶ **BLADE HARDNESS** 57-59HRC
- ▶ **HANDLE MATERIAL** MOLDED PLASTIC
- ▶ **SHEATH** NYLON



**SP®-53 BOLO KNIFE**

**#8689**

- ▶ **OVERALL LENGTH** 15.1IN (38.4cm)
- ▶ **BLADE LENGTH** 10.1IN (25.7cm)
- ▶ **BLADE MATERIAL** 1075 HIGH CARBON STEEL
- ▶ **BLADE HARDNESS** 53-55HRC
- ▶ **HANDLE MATERIAL** MOLDED PLASTIC
- ▶ **SHEATH** NYLON



TACTICAL



SURVIVAL



MADE IN USA



TACTICAL



SURVIVAL



MADE IN USA

# SPL DIVE KNIFE

## SPORT LEISURE SERIES



Ontario Knife Company is excited to launch a new series. The Sport Leisure (SPL) Series. Offering two entries so far with the SPL Dive knife and the SPL Pack Knife. As innovative as both entries are, the Dive Knife captures the eye and imagination upon first glance. A well thought out design featuring a blunted chisel or pry-bar style tip helps in avoiding accidental punctures in situations where thinner materials are present, and serrations for cutting through tough or wet cordage. Though billed as the “Dive Knife”, OKC recognizes that this blade shape and design is destined to show up in more places than just the water! Keeping that fact in mind, we attempted to create a tool that could span genres of use as we frequently find our designs in unlikely scenarios!

Magnacut is a steel choice which allows for not only strength and edge retention, but excellent corrosion resistance for its water based purposes and beyond. Roundng out materials are the G10 handle scales which were chosen for their comfortable grip, toughness, low moisture absorption, and chemical resistance. One of the first things that might be noticed is the notch in the hilt of the knife’s handle. This notch is part of another innovative and useful feature of the overall offering for the SPL Series. To provide more safety and sheath retention, the notch allows a spring-loaded bar to snap into it and securely hold the knife in the sheath while not in use. Orange was chosen to allow for easy visuals if dropped or misplaced on both the handle and the sheath. Stay tuned for more SPL entries!

**OKC**<sup>18</sup><sub>89</sub>  
ONTARIO KNIFE CO™

## BUSHCRAFT SERIES

The Bushcraft series was designed by expert knife designer and forger Dan Maragni. Each piece in this line is designed specifically around a particular idea in the world of bushcrafting. With laminated hardwood handles, stainless steel blades and innovative designs, it's easy to see why it's the first choice series of every outdoorsman.

### BUSHCRAFT FIELD KNIFE #8696



- ▶ **OVERALL LENGTH** 10.3IN (26.1cm)
- ▶ **BLADE LENGTH** 5IN (12.7cm)
- ▶ **BLADE MATERIAL** 420 STAINLESS STEEL
- ▶ **BLADE HARDNESS** 52-56HRC
- ▶ **HANDLE MATERIAL** LAMINATED HARDWOOD
- ▶ **SHEATH** NYLON

### BUSHCRAFT WOODSMAN #8697



- ▶ **OVERALL LENGTH** 15IN (38cm)
- ▶ **BLADE LENGTH** 9.5IN (24.1cm)
- ▶ **BLADE MATERIAL** 420 STAINLESS STEEL
- ▶ **BLADE HARDNESS** 52-56HRC
- ▶ **HANDLE MATERIAL** LAMINATED HARDWOOD
- ▶ **SHEATH** NYLON

### BLACK BIRD ML5 #7502

- ▶ **OVERALL LENGTH** 10IN (25.4cm)
- ▶ **BLADE LENGTH** 5IN (12.7cm)
- ▶ **BLADE MATERIAL** PREMIUM STAINLESS
- ▶ **BLADE HARDNESS** 52-56HRC
- ▶ **HANDLE MATERIAL** MICARTA
- ▶ **SHEATH** LEATHER



SURVIVAL ◀



HUNTING ◀



MADE IN USA ◀



## ▷ ADIRONDACK *SERIES*

The ADK hunters are named for the long hunting, trapping and fishing tradition that is associated with the Adirondack Mountains of New York State. The High Peaks Hunter is named after the famous 46 High Peaks of the Adirondacks. The narrow blade, the expanded blade belly and the fine point is designed for quick, efficient gutting and can also be used for smaller game or as a caper. The Keene Valley in the Adirondacks is known as the gateway to the High Peaks and the communities of the valley supplied many of the local hunting guides. The broad, flat ground blade has a superior cutting/slicing geometry perfectly designed for skinning large game but also has a profile that is ideal for any cutting application.

### ADK HIGH PEAKS HUNTER

#8178

- ▷ **OVERALL LENGTH** 9.44IN (24cm)
- ▷ **BLADE LENGTH** 3.6IN (9.1cm)
- ▷ **BLADE MATERIAL** 420 STAINLESS STEEL
- ▷ **BLADE HARDNESS** 50-54HRC
- ▷ **HANDLE MATERIAL** MICARTA
- ▷ **SHEATH** LEATHER

### ADK KEENE VALLEY HUNTER

#8188

- ▷ **OVERALL LENGTH** 9.4IN (23.9cm)
- ▷ **BLADE LENGTH** 3.7IN (9.4cm)
- ▷ **BLADE MATERIAL** 420 STAINLESS STEEL
- ▷ **BLADE HARDNESS** 50-54HRC
- ▷ **HANDLE MATERIAL** MICARTA
- ▷ **SHEATH** LEATHER



SURVIVAL ▷



HUNTING ▷



MADE IN USA ▷

## ▷ OKC<sup>®</sup> *HIKING KNIFE*

Traveling the trails means trusting your equipment and this lightweight piece comes in at only 5.6oz, 7.2oz in the sheath, which means the OKC<sup>®</sup> Hiking Knife won't add any unwanted weight to your belt or pack. A durable stainless-steel blade and full tang provides peace of mind that it won't let you down. Combined with a stylish micarta handle and leather sheath, the hiking knife won't be just a knife, but a trusted tool. With a slim profile this piece doesn't take up much real-estate and is the perfect companion for any trip.



- ▷ **OVERALL LENGTH** 8.2IN (21cm)
- ▷ **BLADE LENGTH** 3.40IN (8.6cm)
- ▷ **BLADE MATERIAL** 420 STAINLESS STEEL
- ▷ **BLADE HARDNESS** 52-55HRC
- ▷ **HANDLE MATERIAL** MICARTA
- ▷ **SHEATH** LEATHER

#8187



SURVIVAL ▷



HUNTING ▷



MADE IN USA ▷

## RAT® MODEL 1 SERIES

The immensely popular RAT® folders are among OKC's® top selling products. Featuring versatile AUS-8 stainless steel and a nylon handle, the RAT® folders come in a variety of styles including different blades and handle colors. The RAT® folders are an ideal and affordable every day carry.



**RAT®-1 SS** #8849

- ▶ **OVERALL LENGTH** 8.5IN (21.6cm)
- ▶ **BLADE LENGTH** 3.5IN (8.9cm)
- ▶ **BLADE MATERIAL** AUS-8 STAINLESS STEEL
- ▶ **BLADE HARDNESS** 55-56HRC
- ▶ **HANDLE MATERIAL** NYLON 6
- ▶ **SHEATH** N/A



**RAT®-1 BP** #8846

- ▶ **OVERALL LENGTH** 8.5IN (21.6cm)
- ▶ **BLADE LENGTH** 3.5IN (8.9cm)
- ▶ **BLADE MATERIAL** AUS-8 STAINLESS STEEL
- ▶ **BLADE HARDNESS** 55-56HRC
- ▶ **HANDLE MATERIAL** NYLON 6
- ▶ **SHEATH** N/A



**RAT®-1 BS** #8847

- ▶ **OVERALL LENGTH** 8.5IN (21.6cm)
- ▶ **BLADE LENGTH** 3.5IN (8.9cm)
- ▶ **BLADE MATERIAL** AUS-8 STAINLESS STEEL
- ▶ **BLADE HARDNESS** 55-56HRC
- ▶ **HANDLE MATERIAL** NYLON 6
- ▶ **SHEATH** N/A



**RAT®-1 SP** #8848

- ▶ **OVERALL LENGTH** 8.5IN (21.6cm)
- ▶ **BLADE LENGTH** 3.5IN (8.9cm)
- ▶ **BLADE MATERIAL** AUS-8 STAINLESS STEEL
- ▶ **BLADE HARDNESS** 55-56HRC
- ▶ **HANDLE MATERIAL** NYLON 6
- ▶ **SHEATH** N/A



EDC



STAINLESS

## RAT® MODELS 1A & II

The immensely popular RAT® folders are among OKC's® top selling products. Featuring versatile AUS-8 stainless steel and a nylon handle, the RAT® folders come in a variety of styles including different blades and handle colors. The RAT® folders also come in multiple sizes, the RAT®-1 being the larger and the RAT®-II being a smaller 7 inch model. The #8871 model also boasts a spring assist opening feature.



#8861

**RAT®-II BP & SP**

- ▶ **OVERALL LENGTH** 7IN (17.8cm)
- ▶ **BLADE LENGTH** 3IN (7.6cm)
- ▶ **BLADE MATERIAL** AUS-8 STAINLESS STEEL
- ▶ **BLADE HARDNESS** 55-56HRC
- ▶ **HANDLE MATERIAL** NYLON 6
- ▶ **SHEATH** N/A



#8860

**RAT®-1A BP** #8871

- ▶ **OVERALL LENGTH** 8.5IN (21.6cm)
- ▶ **BLADE LENGTH** 3.5IN (8.9cm)
- ▶ **BLADE MATERIAL** AUS-8 STAINLESS STEEL
- ▶ **BLADE HARDNESS** 55-56HRC
- ▶ **HANDLE MATERIAL** G10
- ▶ **SHEATH** N/A



EDC



STAINLESS



OKC® BESRA

#9000

- ▶ **OVERALL LENGTH** 7.2IN (18.3cm)
- ▶ **BLADE LENGTH** 2.9IN (7.4cm)
- ▶ **BLADE MATERIAL** AUS-8 STAINLESS STEEL
- ▶ **BLADE HARDNESS** 52-56HRC
- ▶ **HANDLE MATERIAL** LINEN MICARTA/TITANIUM
- ▶ **SHEATH** N/A

OKC 1889  
ONTARIO KNIFE CO



TI 22 ULTRABLUE

#9800

- ▶ **OVERALL LENGTH** 7.44IN (18.9cm)
- ▶ **BLADE LENGTH** 3.03IN (7.7cm)
- ▶ **BLADE MATERIAL** AUS-8 STAINLESS STEEL
- ▶ **BLADE HARDNESS** 55-57HRC
- ▶ **HANDLE MATERIAL** TITANIUM
- ▶ **SHEATH** N/A

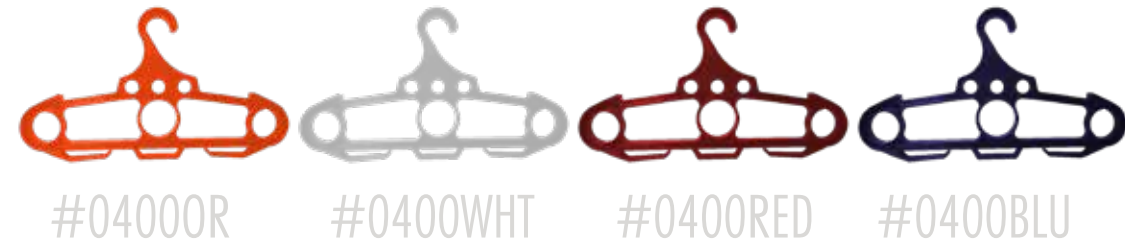
## OKC<sup>®</sup> TOOLS

OKC's<sup>®</sup> knives are some of the most versatile and rugged pieces of gear you can carry. In addition to the survival, every day carry, and emergency tasks asked of our knives, we're proud to make high quality tools that are purpose driven for home, garden, and shop tasks as well.



**JERICHO<sup>®</sup> HANGER** #0400BLK

- ▶ **HEIGHT** 11.3IN (29cm)
- ▶ **WIDTH** 20IN (50.8cm)
- ▶ **THICKNESS** 0.75IN (1.91cm)
- ▶ **MATERIAL** POLYPROPYLENE



**ASEK STRAP CUTTER** #1403

- ▶ **OVERALL LENGTH** 6.6IN (16.8cm)
- ▶ **BLADE MATERIAL** STAINLESS STEEL
- ▶ **BLADE HARDNESS** 55HRC
- ▶ **SHEATH** N/A



**MODEL 1 STRAP CUTTER** #1406

- ▶ **OVERALL LENGTH** 6.6IN (16.8cm)
- ▶ **BLADE MATERIAL** TITANIUM COATED
- ▶ **BLADE HARDNESS** 55HRC
- ▶ **SHEATH** NYLON



**MODEL 2 STRAP CUTTER** #1414

- ▶ **OVERALL LENGTH** 6.6IN (16.8cm)
- ▶ **BLADE MATERIAL** TITANIUM COATED
- ▶ **BLADE HARDNESS** 55HRC
- ▶ **SHEATH** NYLON



**MODEL 4 CB STRAP CUTTER** #1431

- ▶ **OVERALL LENGTH** 6.6IN (16.8cm)
- ▶ **BLADE MATERIAL** TITANIUM COATED
- ▶ **BLADE HARDNESS** 55HRC
- ▶ **SHEATH** NYLON



**JERICHO J-HOOK BREAKER** #0420

- ▶ **OVERALL LENGTH** 6.6IN (16.8cm)
- ▶ **BLADE MATERIAL** TITANIUM COATED
- ▶ **BLADE HARDNESS** 55HRC
- ▶ **HANDLE MATERIAL** 50% GLASS FILLED NYLON

## OKC<sup>®</sup> MACHETES

OKC<sup>®</sup> has been making machetes for the United States Armed Forces since WWII. The straightforward, no-nonsense design stands as proof that these machetes are designed to get the hardest jobs done for the toughest people in the worst circumstances.



#8295



#8297



#6120



#6145



### CT 12" MACHETE & SAWBACK

- ▶ **OVERALL LENGTH** 17.7IN (45cm)
- ▶ **BLADE LENGTH** 12.5IN (31.8cm)
- ▶ **BLADE MATERIAL** 1075 HIGH CARBON STEEL
- ▶ **BLADE HARDNESS** 52-55HRC
- ▶ **HANDLE MATERIAL** MOLDED PLASTIC
- ▶ **SHEATH** NYLON - SOLD SEPARATELY

### I-18" MACHETE & SAWBACK

- ▶ **OVERALL LENGTH** 23.3IN (59.2cm)
- ▶ **BLADE LENGTH** 18IN (45.7cm)
- ▶ **BLADE MATERIAL** 1075 HIGH CARBON STEEL
- ▶ **BLADE HARDNESS** 52-55HRC
- ▶ **HANDLE MATERIAL** MOLDED PLASTIC
- ▶ **SHEATH** NYLON - SOLD SEPARATELY

### CT5 22" MACHETE

#8294

- ▶ **OVERALL LENGTH** 27.7IN (70.4cm)
- ▶ **BLADE LENGTH** 22.5IN (57.2cm)
- ▶ **BLADE MATERIAL** 1075 HIGH CARBON STEEL
- ▶ **BLADE HARDNESS** 52-55HRC
- ▶ **HANDLE MATERIAL** MOLDED PLASTIC
- ▶ **SHEATH** NYLON - SOLD SEPARATELY



#8510



#8512



#8514



#8516



#8518



#8520

### OKC<sup>®</sup> 12" MACHETE

- ▶ **OVERALL LENGTH** 17.7IN (45cm)
- ▶ **BLADE LENGTH** 12.5IN (31.8cm)
- ▶ **BLADE MATERIAL** 1075 HIGH CARBON STEEL
- ▶ **BLADE HARDNESS** 52-55HRC
- ▶ **HANDLE MATERIAL** MOLDED PLASTIC
- ▶ **SHEATH** NYLON - SOLD SEPARATELY

### OKC<sup>®</sup> 18" MACHETE

- ▶ **OVERALL LENGTH** 23.3IN (59.2cm)
- ▶ **BLADE LENGTH** 18IN (45.7cm)
- ▶ **BLADE MATERIAL** 1075 HIGH CARBON STEEL
- ▶ **BLADE HARDNESS** 52-55HRC
- ▶ **HANDLE MATERIAL** MOLDED PLASTIC
- ▶ **SHEATH** NYLON - SOLD SEPARATELY

### OKC<sup>®</sup> 22" MACHETE

- ▶ **OVERALL LENGTH** 27.7IN (70.4cm)
- ▶ **BLADE LENGTH** 22.5IN (57.2cm)
- ▶ **BLADE MATERIAL** 1075 HIGH CARBON STEEL
- ▶ **BLADE HARDNESS** 52-55HRC
- ▶ **HANDLE MATERIAL** MOLDED PLASTIC
- ▶ **SHEATH** NYLON - SOLD SEPARATELY



TOOLS



SURVIVAL



MADE IN USA



TOOLS



SURVIVAL



MADE IN USA

## CAMP PLUS MACHETE / PREP TOOLS

The Camp Plus Machete is a tried and true rendition of the OKC® 12" Machete. The "D-Guard" handle provides safety when clearing heavier duty areas. Throw it in your pack, truck or leave it at the cabin for when you need it and you won't be disappointed when you do.

Whether you're on the boat, in your cabin or in your backyard, these versatile Prep Tools can help you execute the perfect meal.



### CAMP PLUS MACHETE #8510ODTC

- ▶ **OVERALL LENGTH** 17.7IN (45cm)
- ▶ **BLADE LENGTH** 12.5IN (31.8cm)
- ▶ **BLADE MATERIAL** 1075 HIGH CARBON STEEL
- ▶ **BLADE HARDNESS** 52-55HRC
- ▶ **HANDLE MATERIAL** MOLDED PLASTIC
- ▶ **SHEATH** NYLON (SOLD SEPARATELY)

### CAMP PLUS SPREADER

- ▶ **OVERALL LENGTH** 8.5IN (21.6cm)
- ▶ **BLADE LENGTH** 3.5IN (8.9cm)
- ▶ **MATERIAL** POLYPROPYLENE

### CAMP PLUS SLICER

- ▶ **OVERALL LENGTH** 11IN (28cm)
- ▶ **BLADE LENGTH** 6IN (15.2cm)
- ▶ **MATERIAL** POLYPROPYLENE

### CAMP PLUS UTILITY

- ▶ **OVERALL LENGTH** 8.5IN (21.6cm)
- ▶ **BLADE LENGTH** 4IN (10.2cm)
- ▶ **MATERIAL** POLYPROPYLENE

### CAMP PLUS CUTTING BOARD

- ▶ **OVERALL HEIGHT** 11.8IN (29.9cm)
- ▶ **OVERALL WIDTH** 7.8IN (19.8cm)
- ▶ **MATERIAL** POLYPROPYLENE



CAMP PLUS PREP TOOLS #3600



TOOLS



SURVIVAL



MADE IN USA

## CAMP PLUS STAKES/HATCHET

Camp Plus allows us to show our versatility in ways that don't necessarily have to come in bladed options. Ontario Knife Company's plastic molding division, Jericho Tool, allows us to produce fully molded pieces like our tent stakes. As a fully functioning manufacturer, we are able to build out custom items and OEM projects from a variety of plastics and metals.

A cross between bushcraft and tactical, the Camp Plus hatchet offers the best of both worlds. Just shy of a 3 inch cutting surface and forward weighted for great chopping momentum, this tool isn't just comfortable in hand but strong.



### CAMP PLUS 9" TENT STAKES #0414ORTC

- ▶ **WIDTH** 9IN (22.9cm)
- ▶ **THICKNESS** 0.88IN (2.24cm)
- ▶ **MATERIAL** CYCOLOY™



### CAMP PLUS HATCHET #4230

- ▶ **OVERALL LENGTH** 17.7IN (45cm)
- ▶ **BLADE LENGTH** 12.5IN (31.8cm)
- ▶ **BLADE MATERIAL** 1075 HIGH CARBON STEEL
- ▶ **BLADE HARDNESS** 52-55HRC
- ▶ **HANDLE MATERIAL** MOLDED PLASTIC
- ▶ **SHEATH** NYLON



TOOLS



SURVIVAL



MADE IN USA

## I&A SERIES

Ontario Knife Company's industrial and agricultural knives have developed over the years to include a wide variety of products based on evolving customer demands. These fruit, vegetable, field, harvesting, table and construction knives feature either a high carbon steel blade with hardwood handles or a stainless blade and a molded plastic handle. These versatile, all-purpose knives may be used to multi-task harvesting, digging and industrial cutting applications.



105 OYSTER KNIFE #5144

- ▶ **OVERALL LENGTH** 7.6IN (19.3cm)
- ▶ **BLADE LENGTH** 3.8IN (9.8cm)
- ▶ **BLADE MATERIAL** 420 STAINLESS STEEL
- ▶ **BLADE HARDNESS** 50-55HRC
- ▶ **HANDLE MATERIAL** DYNAFLEX®
- ▶ **SHEATH** N/A

3 1/2" FRUIT KNIFE #5095SS

- ▶ **OVERALL LENGTH** 6.4IN (16.4cm)
- ▶ **BLADE LENGTH** 2.7IN (6.8cm)
- ▶ **BLADE MATERIAL** 420 STAINLESS STEEL
- ▶ **BLADE HARDNESS** 50-55HRC
- ▶ **HANDLE MATERIAL** POLYPROPYLENE
- ▶ **SHEATH** N/A



## I&A TRADITIONAL SERIES

Ontario Knife Company's industrial and agricultural knives have developed over the years to include a wide variety of products based on evolving customer demands. These fruit, vegetable, field, harvesting, table and construction knives feature either a high carbon steel blade with hardwood handles or a stainless blade and a molded plastic handle. These versatile, all-purpose knives may be used to multi-task harvesting, digging and industrial cutting applications.



2-7" HOP KNIFE #5060

- ▶ **OVERALL LENGTH** 11.7IN (29.7cm)
- ▶ **BLADE LENGTH** 7.1IN (17.9cm)
- ▶ **BLADE MATERIAL** 1075 HIGH CARBON STEEL
- ▶ **BLADE HARDNESS** 57-59HRC
- ▶ **HANDLE MATERIAL** HARDWOOD
- ▶ **SHEATH** N/A



45-3 1/2" LINOLEUM KNIFE #4200

- ▶ **OVERALL LENGTH** 8.5IN (21.6cm)
- ▶ **BLADE LENGTH** 3.6IN (9.1cm)
- ▶ **BLADE MATERIAL** 1075 HIGH CARBON STEEL
- ▶ **BLADE HARDNESS** 57-59HRC
- ▶ **HANDLE MATERIAL** HARDWOOD
- ▶ **SHEATH** N/A



10-2 1/4" GRAPE HOOK #5170

- ▶ **OVERALL LENGTH** 6.7IN (17.1cm)
- ▶ **BLADE LENGTH** 2.3IN (5.7cm)
- ▶ **BLADE MATERIAL** 1075 HIGH CARBON STEEL
- ▶ **BLADE HARDNESS** 57-59HRC
- ▶ **HANDLE MATERIAL** HARDWOOD
- ▶ **SHEATH** N/A

## OLD HICKORY® SERIES

First introduced in 1924, the Old Hickory® knives are the most venerable product line still in active production. The Old Hickory® knives feature a hardwood handle secured with brass compression rivets to high carbon steel blades that are both very sharp and capable of retaining an edge better than most stainless knives. Proudly manufactured with artisan processes for over 90 years, Old Hickory® has stood the test of time and is proven to be the best carbon steel kitchen cutlery sold today.



76-7" CLEAVER #7060

- ▶ **OVERALL LENGTH** 12IN (30.6cm)
- ▶ **BLADE LENGTH** 7.4IN (18.8cm)
- ▶ **BLADE MATERIAL** 1075 HIGH CARBON STEEL
- ▶ **BLADE HARDNESS** 57-59HRC
- ▶ **HANDLE MATERIAL** HARDWOOD
- ▶ **SHEATH** N/A



7-10" BUTCHER KNIFE #7111

- ▶ **OVERALL LENGTH** 14.9IN (37.9cm)
- ▶ **BLADE LENGTH** 10IN (25.4cm)
- ▶ **BLADE MATERIAL** 1075 HIGH CARBON STEEL
- ▶ **BLADE HARDNESS** 57-59HRC
- ▶ **HANDLE MATERIAL** HARDWOOD
- ▶ **SHEATH** N/A



7-14" BUTCHER KNIFE #7113

- ▶ **OVERALL LENGTH** 19.6IN (49.7cm)
- ▶ **BLADE LENGTH** 14IN (35.6cm)
- ▶ **BLADE MATERIAL** 1075 HIGH CARBON STEEL
- ▶ **BLADE HARDNESS** 57-59HRC
- ▶ **HANDLE MATERIAL** HARDWOOD
- ▶ **SHEATH** N/A



79-8 COOK KNIFE #7045

- ▶ **OVERALL LENGTH** 13IN (33cm)
- ▶ **BLADE LENGTH** 8.1IN (20.6cm)
- ▶ **BLADE MATERIAL** 1075 HIGH CARBON STEEL
- ▶ **BLADE HARDNESS** 57-59HRC
- ▶ **HANDLE MATERIAL** HARDWOOD
- ▶ **SHEATH** N/A



1001 ICE PICK #7115

- ▶ **OVERALL LENGTH** 8.3IN (21cm)
- ▶ **BLADE LENGTH** 4.5IN (11.4cm)
- ▶ **BLADE MATERIAL** 1075 HIGH CARBON STEEL
- ▶ **BLADE HARDNESS** 53-58HRC
- ▶ **HANDLE MATERIAL** HARDWOOD
- ▶ **SHEATH** N/A



417 FILET KNIFE #1270

- ▶ **OVERALL LENGTH** 10.9IN (27.8cm)
- ▶ **BLADE LENGTH** 6.4IN (16.2cm)
- ▶ **BLADE MATERIAL** PREMIUM STAINLESS
- ▶ **BLADE HARDNESS** 52-56HRC
- ▶ **HANDLE MATERIAL** HARDWOOD
- ▶ **SHEATH** N/A



HOME



MADE IN USA



HOME



MADE IN USA



# OLD HICKORY® 5 PIECE SET

HOME MADE IN USA



## #7180

**753-3 1/4" PARING KNIFE #7070**  
**OVERALL LENGTH** 6.7IN (17.1cm)  
**BLADE LENGTH** 3.2IN (8.2cm)  
**BLADE MATERIAL** 1075 HIGH CARBON STEEL  
**BLADE HARDNESS** 57-59HRC  
**HANDLE MATERIAL** HARDWOOD  
**SHEATH** N/A

**750-4" PARING KNIFE #7065**  
**OVERALL LENGTH** 7.5IN (19.1cm)  
**BLADE LENGTH** 4IN (10.2cm)  
**BLADE MATERIAL** 1075 HIGH CARBON STEEL  
**BLADE HARDNESS** 57-59HRC  
**HANDLE MATERIAL** HARDWOOD  
**SHEATH** N/A

**72-6" BONING KNIFE #7000**  
**OVERALL LENGTH** 10.8IN (27.4cm)  
**BLADE LENGTH** 6.1IN (15.6cm)  
**BLADE MATERIAL** 1075 HIGH CARBON STEEL  
**BLADE HARDNESS** 57-59HRC  
**HANDLE MATERIAL** HARDWOOD  
**SHEATH** N/A

**75-8" SLICING KNIFE #7015**  
**OVERALL LENGTH** 12.8IN (32.5cm)  
**BLADE LENGTH** 8.2IN (20.8cm)  
**BLADE MATERIAL** 1075 HIGH CARBON STEEL  
**BLADE HARDNESS** 57-59HRC  
**HANDLE MATERIAL** HARDWOOD  
**SHEATH** N/A

**7-7" BUTCHER KNIFE #7025**  
**OVERALL LENGTH** 11.7IN (29.7cm)  
**BLADE LENGTH** 7.1IN (17.9cm)  
**BLADE MATERIAL** 1075 HIGH CARBON STEEL  
**BLADE HARDNESS** 57-59HRC  
**HANDLE MATERIAL** HARDWOOD  
**SHEATH** N/A

**OKC**<sup>18</sup><sub>89</sub>  
 ONTARIO KNIFE CO™

# OLD HICKORY®/AGILITE® BLOCK SET

Now in it's 99th year, Old Hickory® truly has a place in American history. The Old Hickory® line is now available paired with a block set and ready to take its place in any kitchen. Along with Old Hickory®, an Agilite® 5 piece set with knife block will also be available.

- ▶ **OVERALL HEIGHT** 7.5IN (19.1cm)
- ▶ **OVERALL WIDTH** 4.4IN (11.2cm)
- ▶ **MATERIAL** HARDWOOD
- ▶ **BLADE CAPACITY** 8qty.



HOME MADE IN USA

## AGILITE<sup>®</sup> SERIES

The Agile<sup>®</sup> line was designed to be the most lightweight, durable, ergonomic, and advanced cutlery produced by Ontario Knife Company. Engineered down to the edge geometries by blade-master Dan Maragni, the Agile<sup>®</sup> knives are technically superior to almost any cutlery in the market. Featuring double injection heat resistant molded handles and Sandvik 14C28N<sup>™</sup> fine carbide steel, the Agile<sup>®</sup> knives define premium cutlery. However, true to form for OKC<sup>®</sup> products, they are affordably priced.



### AGILITE<sup>®</sup> CHEF'S KNIFE #2520

- ▶ **OVERALL LENGTH** 15IN (38.1cm)
- ▶ **BLADE LENGTH** 9.5IN (24.1cm)
- ▶ **BLADE MATERIAL** 14C28N STAINLESS STEEL
- ▶ **BLADE HARDNESS** 57-59HRC
- ▶ **HANDLE MATERIAL** LEXAN<sup>®</sup>/VERSAFLEX<sup>®</sup>
- ▶ **SHEATH** N/A



### AGILITE<sup>®</sup> SANTOKU #2525

- ▶ **OVERALL LENGTH** 12.3IN (31.2cm)
- ▶ **BLADE LENGTH** 7.11IN (17.9cm)
- ▶ **BLADE MATERIAL** 14C28N STAINLESS STEEL
- ▶ **BLADE HARDNESS** 57-59HRC
- ▶ **HANDLE MATERIAL** LEXAN<sup>®</sup>/VERSAFLEX<sup>®</sup>
- ▶ **SHEATH** N/A



### AGILITE<sup>®</sup> UTILITY KNIFE #2545

- ▶ **OVERALL LENGTH** 9.6IN (24.3cm)
- ▶ **BLADE LENGTH** 5.1IN (12.9cm)
- ▶ **BLADE MATERIAL** 14C28N STAINLESS STEEL
- ▶ **BLADE HARDNESS** 57-59HRC
- ▶ **HANDLE MATERIAL** LEXAN<sup>®</sup>/VERSAFLEX<sup>®</sup>
- ▶ **SHEATH** N/A



### AGILITE<sup>®</sup> PARING KNIFE #2550

- ▶ **OVERALL LENGTH** 7.6IN (19.2cm)
- ▶ **BLADE LENGTH** 3.6IN (9cm)
- ▶ **BLADE MATERIAL** 14C28N STAINLESS STEEL
- ▶ **BLADE HARDNESS** 57-59HRC
- ▶ **HANDLE MATERIAL** LEXAN<sup>®</sup>/VERSAFLEX<sup>®</sup>
- ▶ **SHEATH** N/A



### AGILITE<sup>®</sup> COMBO SET #2570

- ▶ **BLADE MATERIAL** 14C28N STAINLESS STEEL
- ▶ **HANDLE MATERIAL** LEXAN<sup>®</sup> / VERSAFLEX<sup>®</sup>
- ▶ **BLADE HARDNESS** 57-59HRC



### AGILITE<sup>®</sup> BREAD KNIFE #2530

- ▶ **OVERALL LENGTH** 15.3IN (38.7cm)
- ▶ **BLADE LENGTH** 10IN (25.4cm)
- ▶ **BLADE MATERIAL** 14C28N STAINLESS STEEL
- ▶ **BLADE HARDNESS** 57-59HRC
- ▶ **HANDLE MATERIAL** LEXAN<sup>®</sup> / VERSAFLEX<sup>®</sup>
- ▶ **SHEATH** N/A



### AGILITE<sup>®</sup> STEAK SET #2565

- ▶ **OVERALL LENGTH** 9.1IN (23.1cm)
- ▶ **BLADE LENGTH** 4.5IN (11.4cm)
- ▶ **BLADE MATERIAL** 14C28N STAINLESS STEEL
- ▶ **BLADE HARDNESS** 57-59HRC
- ▶ **HANDLE MATERIAL** LEXAN<sup>®</sup> / VERSAFLEX<sup>®</sup>
- ▶ **SHEATH** N/A



HOME



STAINLESS



MADE IN USA



HOME



STAINLESS



MADE IN USA

# CHROMATICS™ SERIES

 HOME  STAINLESS  MADE IN USA



**CHROMATICS™ CHEF #3540**  
 OVERALL LENGTH 13.6IN (34.4cm)  
 BLADE LENGTH 7.8IN (19.7cm)  
 BLADE MATERIAL 420 STAINLESS STEEL  
 BLADE HARDNESS 52-56HRC  
 HANDLE MATERIAL POLYPROPYLENE / VERSAFLEX®  
 SHEATH N/A

**CHROMATICS™ SLICER #3510**  
 OVERALL LENGTH 11.3IN (28.6cm)  
 BLADE LENGTH 6IN (15.1cm)  
 BLADE MATERIAL 420 STAINLESS STEEL  
 BLADE HARDNESS 52-56HRC  
 HANDLE MATERIAL POLYPROPYLENE / VERSAFLEX®  
 SHEATH N/A

**CHROMATICS™ PARING #3500**  
 OVERALL LENGTH 7.1IN (18.1cm)  
 BLADE LENGTH 2.5IN (6.4cm)  
 BLADE MATERIAL 420 STAINLESS STEEL  
 BLADE HARDNESS 52-56HRC  
 HANDLE MATERIAL POLYPROPYLENE / VERSAFLEX®  
 SHEATH N/A

**CHROMATICS™ BREAD #3520**  
 OVERALL LENGTH 13.6IN (34.4cm)  
 BLADE LENGTH 7.8IN (19.7cm)  
 BLADE MATERIAL 420 STAINLESS STEEL  
 BLADE HARDNESS 52-56HRC  
 HANDLE MATERIAL POLYPROPYLENE / VERSAFLEX®  
 SHEATH N/A

**CHROMATICS™ SANTOKU #3530**  
 OVERALL LENGTH 11.8IN (30cm)  
 BLADE LENGTH 6.5IN (16.5cm)  
 BLADE MATERIAL 420 STAINLESS STEEL  
 BLADE HARDNESS 52-56HRC  
 HANDLE MATERIAL POLYPROPYLENE / VERSAFLEX®  
 SHEATH N/A

**CHROMATICS™ STEAK PARSER #3550**  
 OVERALL LENGTH 7.6IN (19.4cm)  
 BLADE LENGTH 3IN (7.6cm)  
 BLADE MATERIAL 420 STAINLESS STEEL  
 BLADE HARDNESS 52-56HRC  
 HANDLE MATERIAL POLYPROPYLENE / VERSAFLEX®  
 SHEATH N/A

# OKC<sup>18</sup><sub>89</sub> ONTARIO KNIFE CO™

# CHROMATICS™ HOUSEWARE

These cutting boards that match the Chromatics series of knives are inexpensive, made in the USA, durable, and colorful. OKC® began making kitchen knives early on and has been making kitchen products for over 130 years. We are proud to present this latest addition to that history.



▶ **OVERALL HEIGHT** 11.8IN (29.9cm)  
 ▶ **OVERALL WIDTH** 7.8IN (19.8cm)  
 ▶ **MATERIAL** POLYPROPYLENE



▶ **OVERALL HEIGHT** 8IN (20.3cm)  
 ▶ **OVERALL WIDTH** 5.8IN (14.7cm)  
 ▶ **MATERIAL** HARDWOOD  
 ▶ **BLADE CAPACITY** 6qty.

#3565

 HOME  MADE IN USA

# CHROMATICS<sup>TM</sup> PREP TOOLS

Chromatics Prep Tools are color forward, fully plastic cutlery options that match our Chromatics Knife series. Ranging in six different colors, your favorite is sure to be included. Easy to use, safe, durable, convenient and virtually no maintenance involved. Chromatics Prep Tools will make preparing your next meal as easy, colorful and safe as possible!



#3600B



#3600G



#3600O



#3600R



#3600P



#3600Y

### CHROMATICS UTILITY

- ▶ **OVERALL LENGTH** 8.5IN (21.6cm)
- ▶ **BLADE LENGTH** 4IN (10.2cm)
- ▶ **MATERIAL** POLYPROPYLENE

### CHROMATICS SLICER

- ▶ **OVERALL LENGTH** 11IN (28cm)
- ▶ **BLADE LENGTH** 6IN (15.2cm)
- ▶ **MATERIAL** POLYPROPYLENE

### CHROMATICS SPREADER

- ▶ **OVERALL LENGTH** 8.5IN (21.6cm)
- ▶ **BLADE LENGTH** 3.5IN (8.9cm)
- ▶ **MATERIAL** POLYPROPYLENE

### CHROMATICS CUTTING BOARD

- ▶ **OVERALL HEIGHT** 11.8IN (29.9cm)
- ▶ **OVERALL WIDTH** 7.8IN (19.8cm)
- ▶ **MATERIAL** POLYPROPYLENE



HOME



TOOLS



MADE IN USA



HOME



TOOLS



MADE IN USA



MADE IN USA

A PROUD AMERICAN MANUFACTURER SINCE 1889

[WWW.ONTARIOKNIFE.COM](http://WWW.ONTARIOKNIFE.COM)

314 LEE HWY MARION, VA 24354