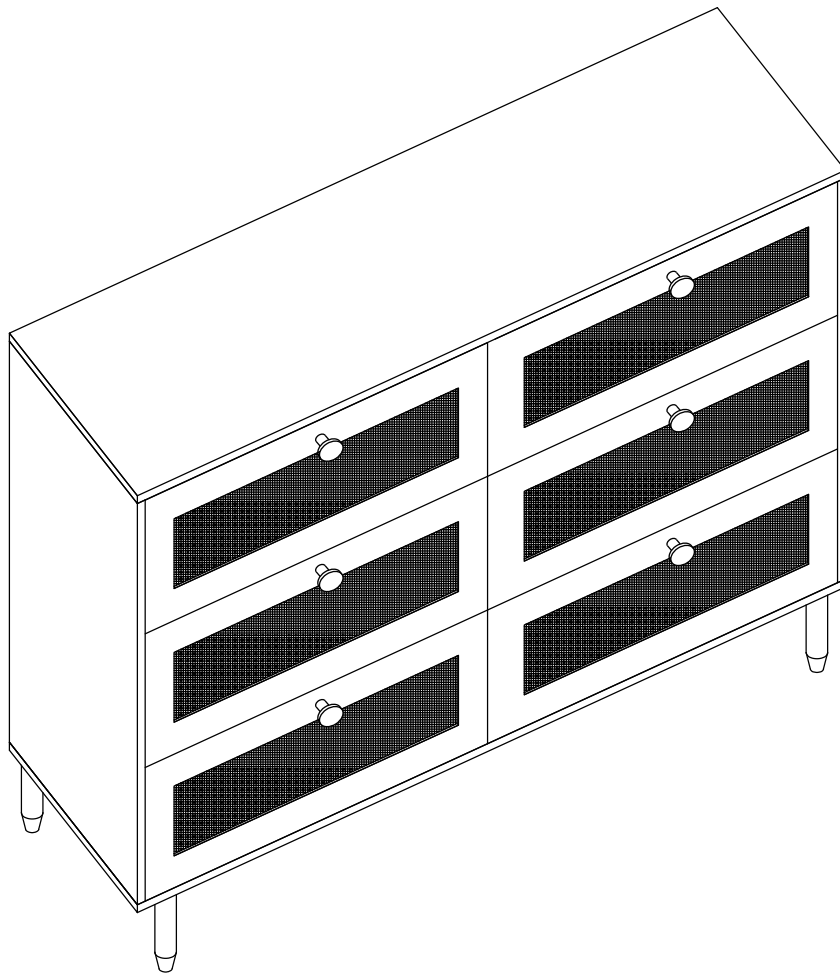




VINGLI RATTAN DRESSER

ASSEMBLY INSTRUCTION



Thank you for purchasing from VINGLI!
Please contact us via email if parts are missing or damaged, we will gladly ship your replacement parts free of charge

⚠ IMPORTANT

THIS INSTRUCTION BOOKLET CONTAINS IMPORTANT SAFETY INFORMATION.
PLEASE READ AND KEEP FOR FUTURE REFERENCE.

RETURN & WARRANTY

Thank you for choosing our product!

We would like to take this opportunity to thank you for choosing VINGLI.

We hope that you are completely satisfied with your purchase, and enjoy it for years to come.

Your satisfaction is our highest pursuit.

Return policy

VINGLI believes you will absolutely love your rattan dresser , but if for some reason you want to return the product, please contact us directly before you decide to return your product to the retailer. Our Customer Service organization can answer most concerns and can assist you with any questions you may have about your new product.

The item must be returned in good condition, in original box, with all original proof of purchase, parts and accessories, within the time frame specified by the retailer it was purchased from.

Warranty

VINGLI warrants this product to be free from defects in material and workmanship agrees to remedy any such defect. This warranty covers one year from the date of original purchase. This is solely limited to be repair or replacement of defective parts and no assembly labor is included.

This warranty does not apply to any product which has been improperly assembled, subjected to misuse or abuse or which has been altered or repaired in any way.

Components repaired or replaced warranted through the remainder of the original warranty period only. The defective components will be repaired or replaced without charge, subject to the terms and conditions described above.

For help with assembly, identifying parts, product information or to order parts, please contact us freely.

BEFORE STARTING

Before Using Product



- Read each step carefully before starting. It is very important that each step is performed in the correct order. If these steps are not followed in sequence, assembly difficulties will occur.



- Make sure all parts are included. Most board parts are labeled or stamped on the raw edge.

- Prepare a flat and Philips screwdriver (not included)
A Power Screwdriver is recommended.



- Recommended # of people needed for assembly: 1 (however it is always better to have an extra hand).

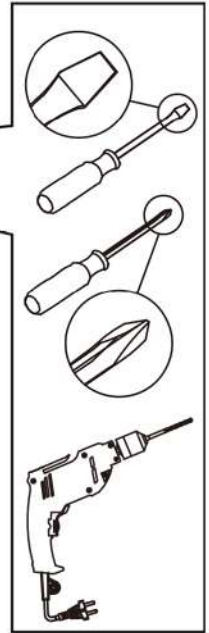
Estimated assembly time is 0.5 to 1 hour.



- Work in a spacious area and near where the unit will be used, preferably on a carpet, or use a piece of the cardboard packaging to protect your floor and product.



- For a smooth assembly process, we suggest you keep a lite tightness for all the screws during assembly. After the whole product is assembled, firmly tighten all the screws.



WARNING :

-Do not allow children to climb on unit

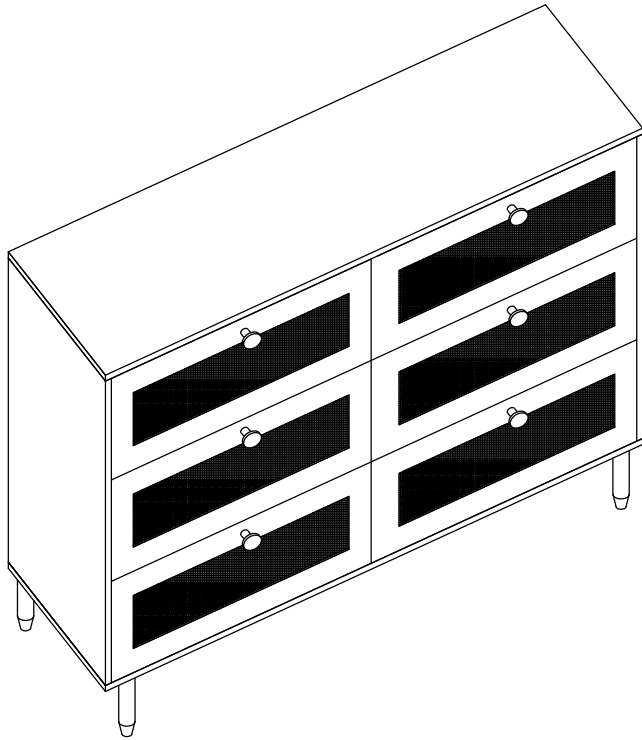
-Serious or fatal crushing injuries can occur from furniture tip-over. To prevent this furniture from tipping over, it must be permanently fixed to the wall. Fixing devices for the wall are not included since different wall materials require different types of fixing devices. Use fixing devices suitable for the walls in your home. For advice on suitable fixing systems, contact your local specialized dealer

-Avoid sharp objects or corrosive chemicals to prevent damage to the product

-During assembly, keep parts and packaging materials away from children and pets as there could be potential injury and choking hazards

ASSEMBLY TIPS

Applicable Model



OVERALL SIZE:

140 x 45 x 83 cm (L x W x H)

55 x 17.7 x 32.7 inch (L x W x H)

FEATURES:

Nature Rattan

Boho & MCM Style

6 Large Drawers

Solid Wood Legs



Estimated Time for Assembly

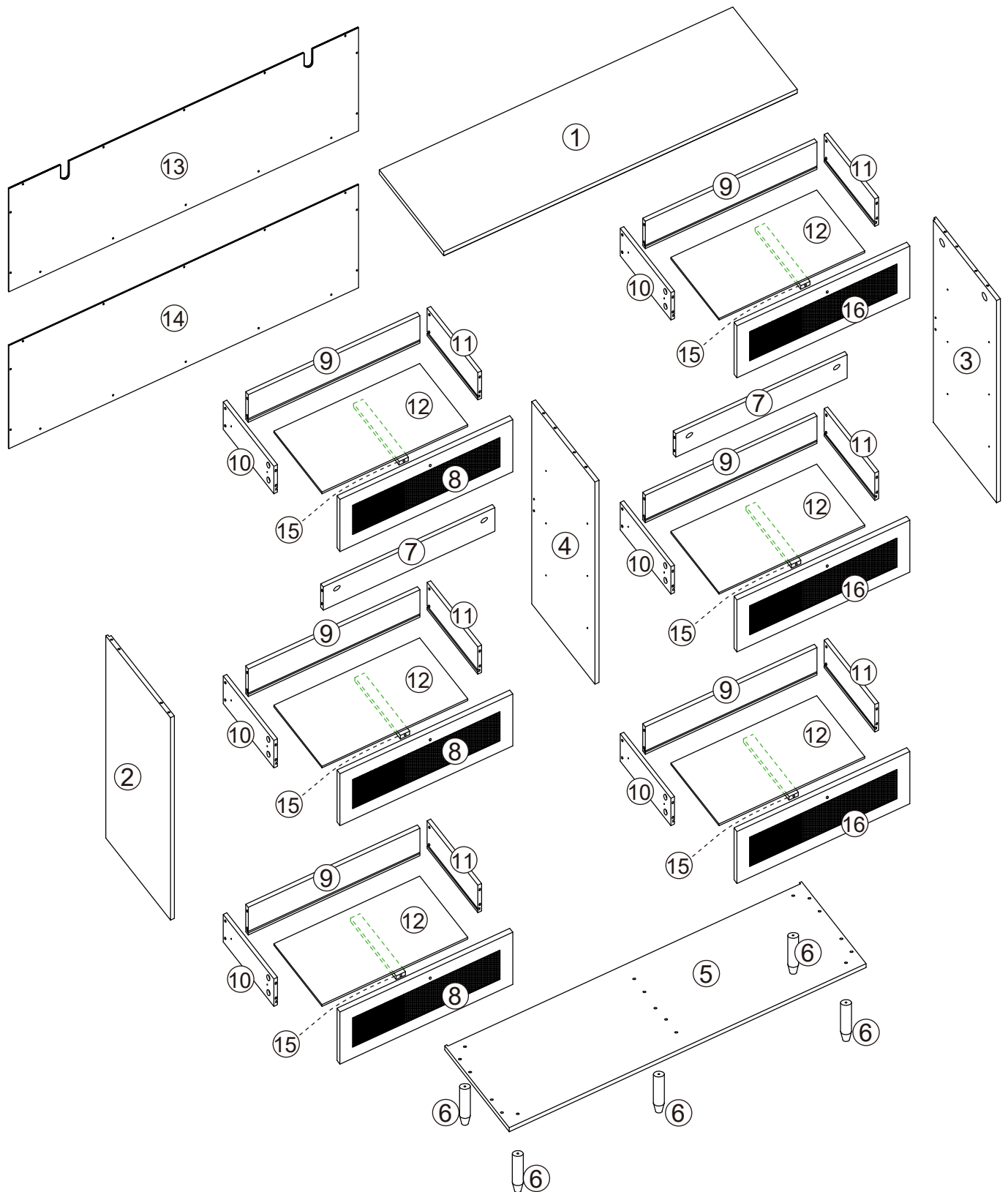
120-180 mins

Caution:

1. This product is designed for home use and not intended for commercial use.
2. This product contains small components. Please ensure that they are kept away from small children.
3. Be careful when using power tools to assemble your furniture. Power tools may strip or damage the parts.

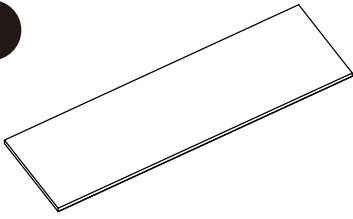
IDENTIFY PARTS

One unit per box



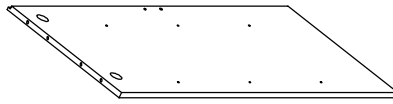
COMPONENTS

1



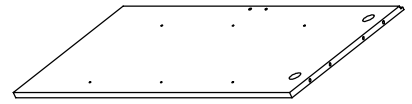
Top board x1

2



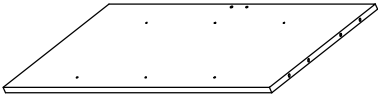
Left panel x1

3



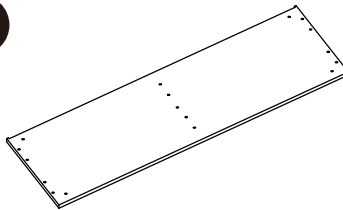
Right panel x1

4



Middle panel x1

5



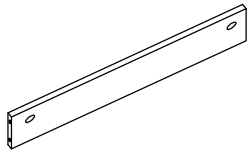
Bottom board x1

6



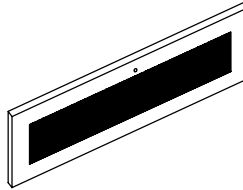
Leg x5

7



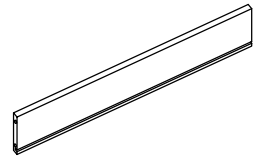
Cross bar x2

8



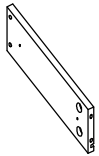
Drawer front board x3

9



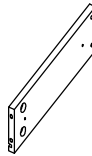
Drawer back board x6

10



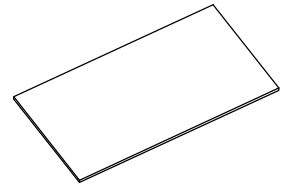
Drawer left board x6

11



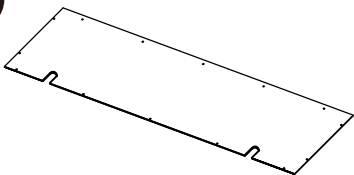
Drawer right board x6

12



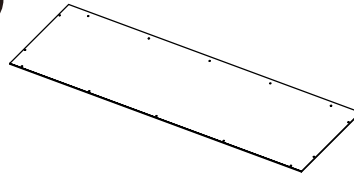
Drawer bottom board x6

13



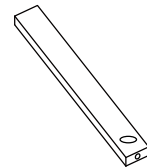
Upper back panel x1

14



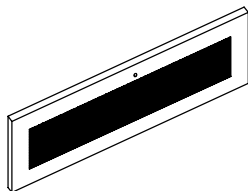
Lower back panel x1

15



Support Slat x6

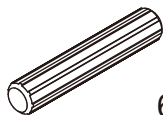
16



Drawer front board x3

COMPONENTS

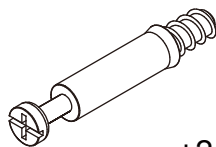
A



6x30mm
+1(spare)

Wood dowel x14

B



+2(spare)

Cam bolt x40

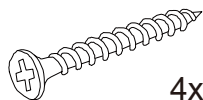
C



+2(spare)

Cam lock x40

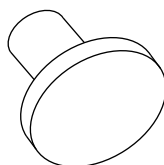
D



4x30mm
+2(spare)

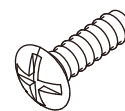
Screw x30

E



Drawer knob x6

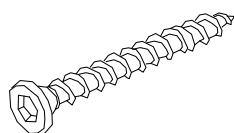
F



4x20mm

Screw x6

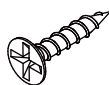
G



5x40mm

Screw x5

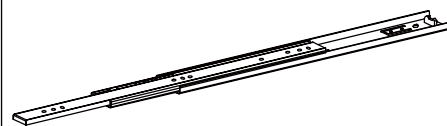
H



3x12mm
+2(spare)

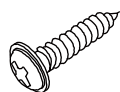
Screw x48

I



Drawer slide x12

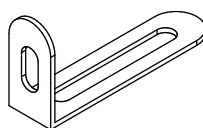
J



2x10mm
+2(spare)

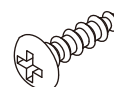
Screw x28

K



Anti-tip bracket x2

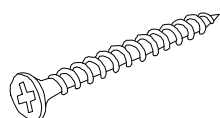
L



4x14mm
+2(spare)

Washer x2

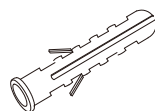
M



3.5x40mm

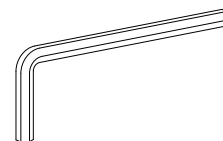
Screw x2

N



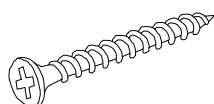
Wall plug x2

O



Allen wrench x1

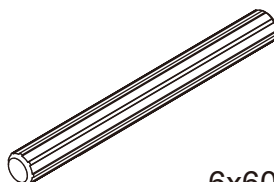
P



4x35mm

Screw x6

Q

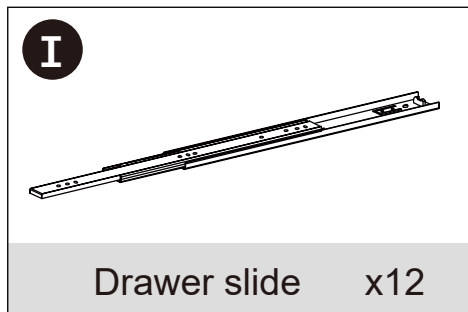


6x60mm

Wood dowel x1

ASSEMBLY STEPS

New panels & accessories needed in below step

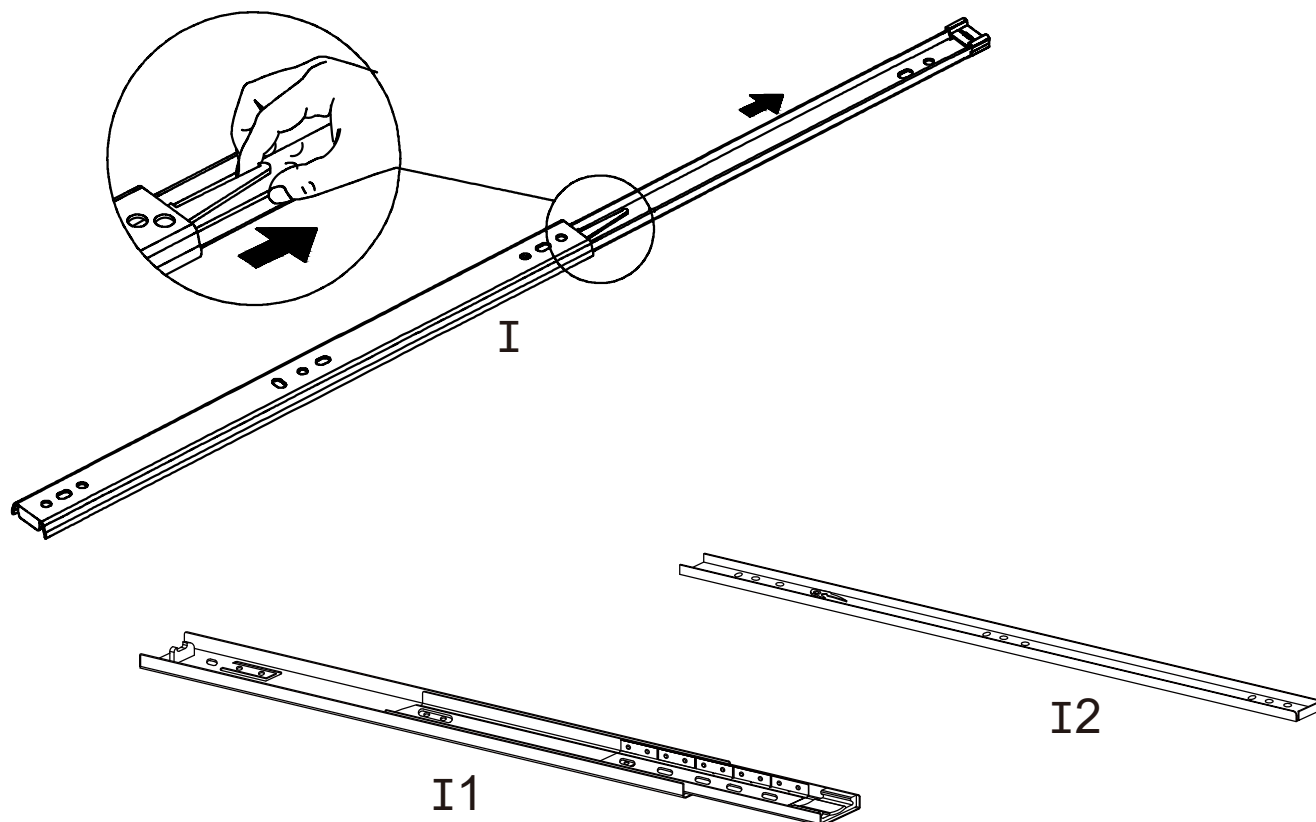


STEP 1

Separate the two sections (I1 and I2) of drawer slide (I) as shown below.

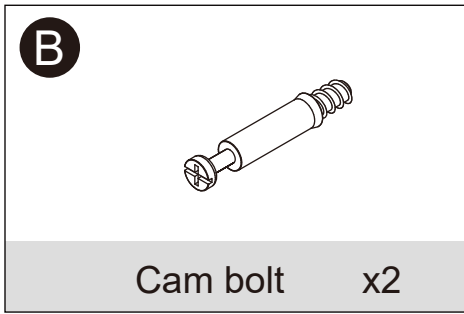
I1: Drawer slide

I2: Drawer-slide bracket



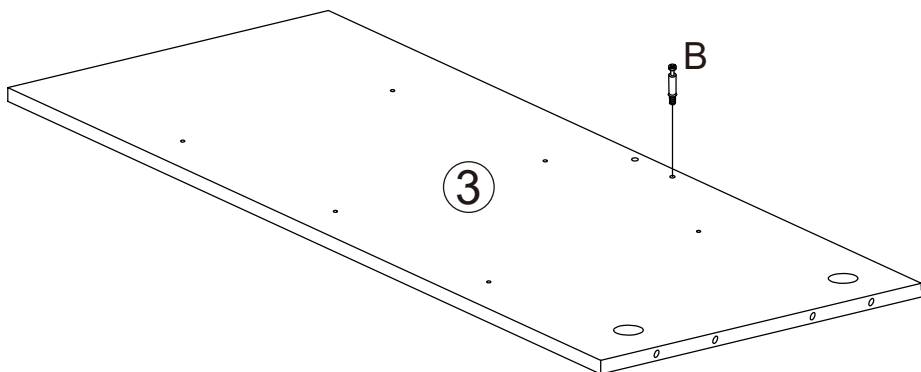
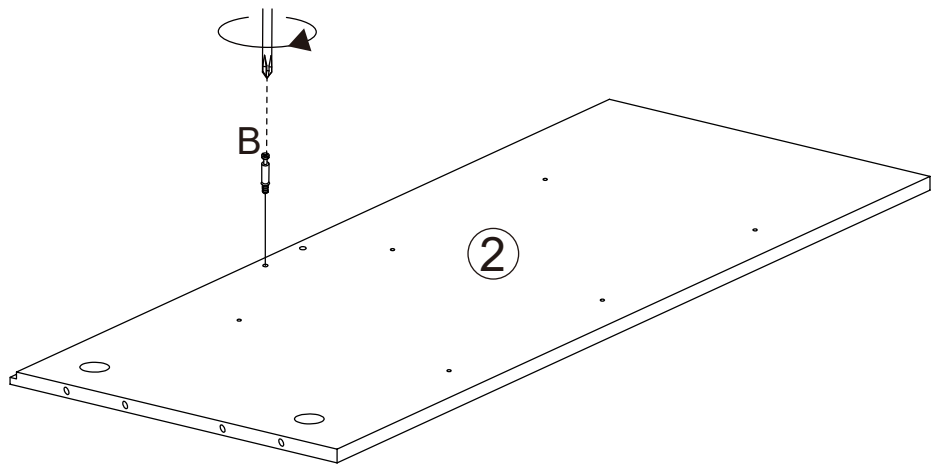
ASSEMBLY STEPS

New panels & accessories needed in below step



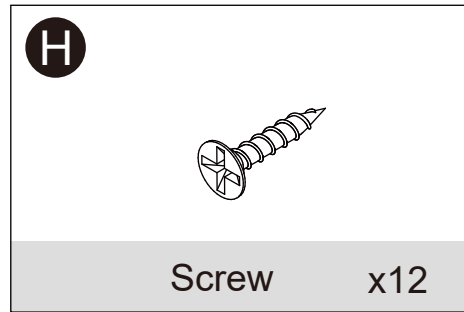
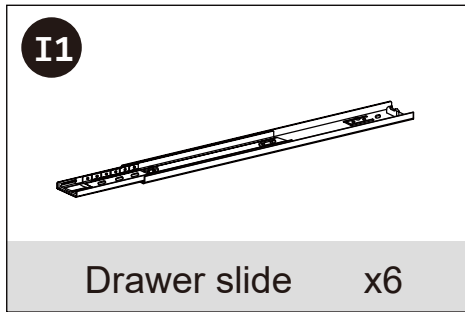
STEP 2

Turn two cam bolts (B) clockwise on #2 left panel and #3 right panel.



ASSEMBLY STEPS

New panels & accessories needed in below step

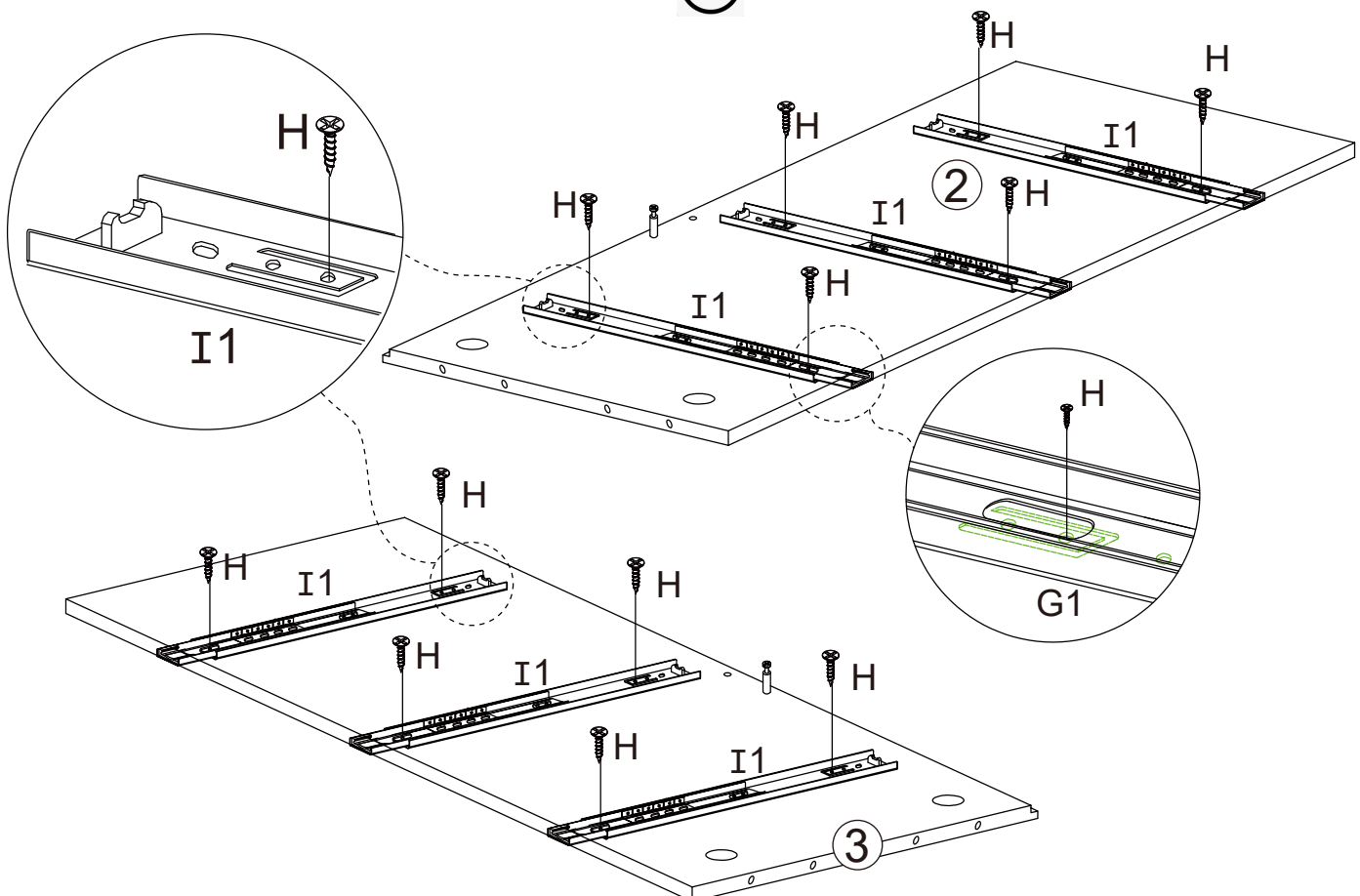


STEP 3

Align the holes of drawer slide (I1) and #2 left panel & #3 right panel, then fix the slide with screw (H).

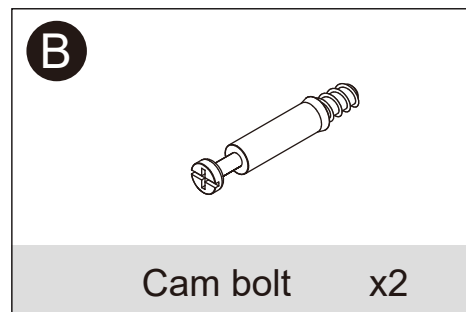
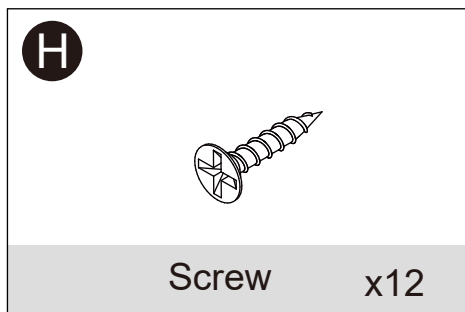
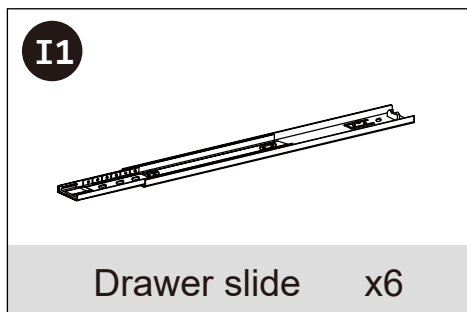
Note:

1. Please ensure that the pre-drilled holes are **located at the center** of the track holes.
2. Ensure tracks are straight and level
3. Please make sure to **install the screw at the center of the hole position**, otherwise the drawer will not be aligned 😞



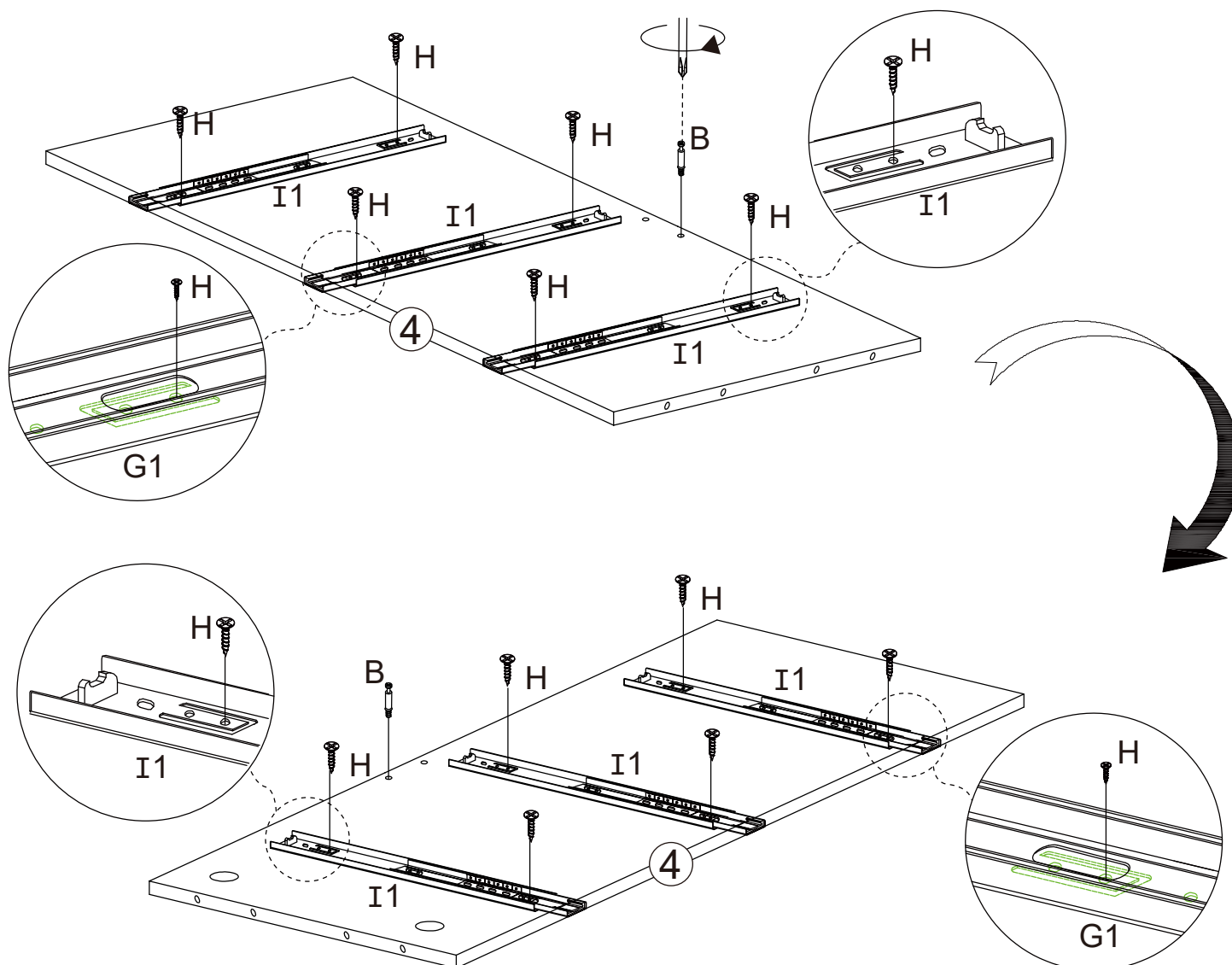
ASSEMBLY STEPS

New panels & accessories needed in below step



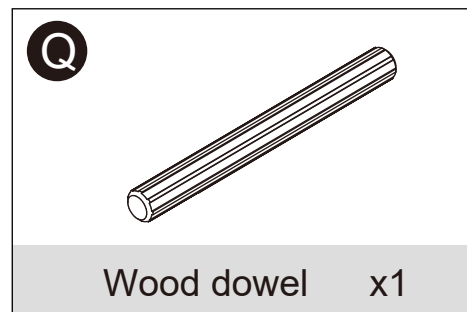
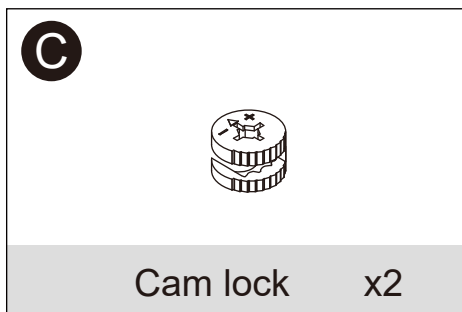
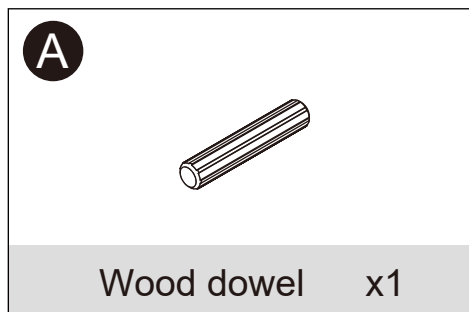
STEP 4

1. Align the holes of drawer slide (I1) and #4 middle panel.
2. Fix slide on the front and back of #4 middle panel with screw (H).
3. Insert cam bolt (B) into the holes of #4 middle panel (back and front).



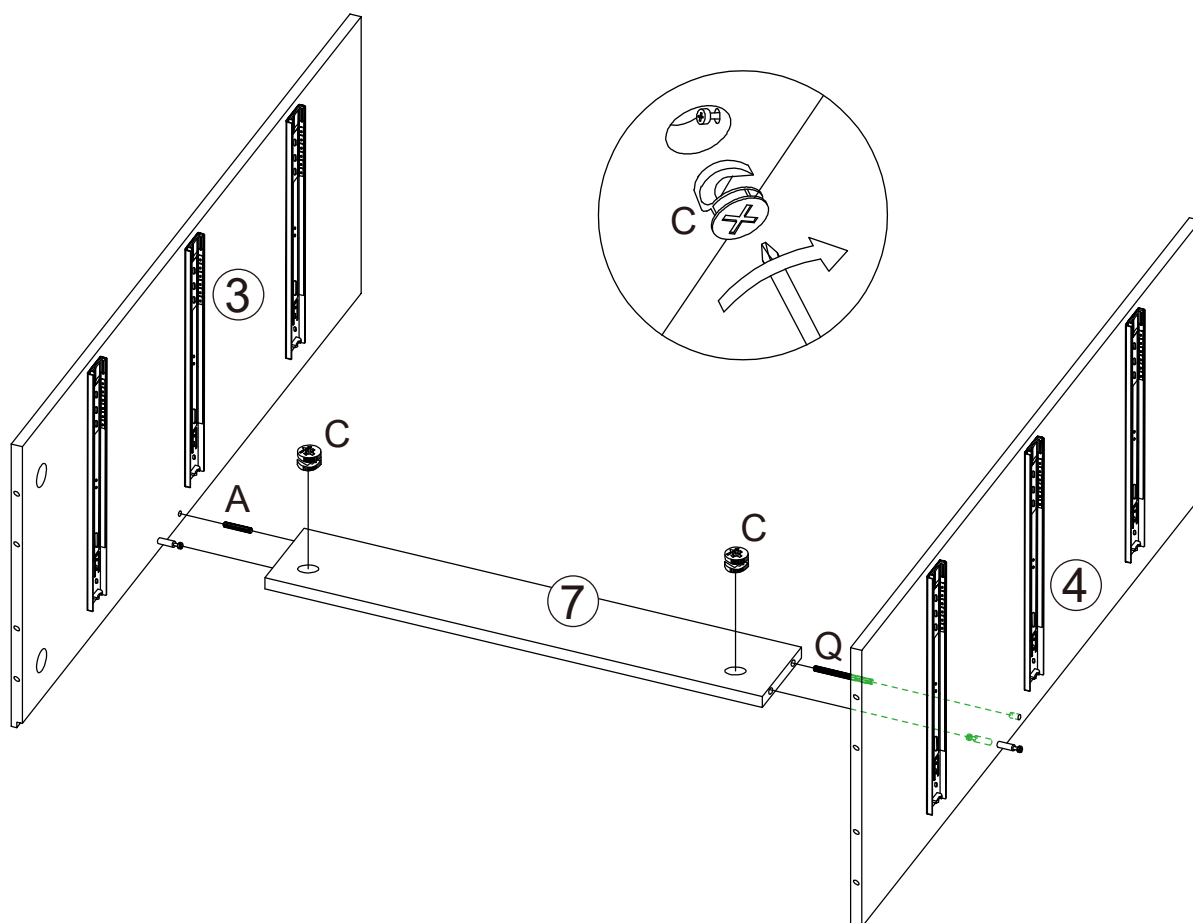
ASSEMBLY STEPS

New panels & accessories needed in below step



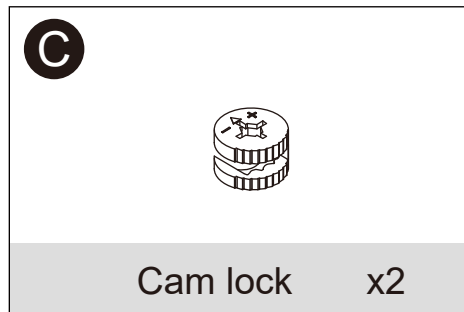
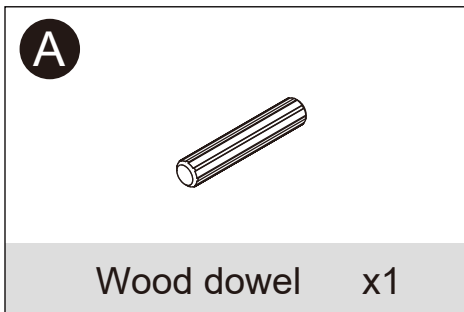
STEP 5

1. Insert wood dowel (A) into the holes of #7 cross bar.
2. Connect #3 right panel & #4 middle panel to #7 cross bar then tighten cam lock (C) clockwise.



ASSEMBLY STEPS

New panels & accessories needed in below step

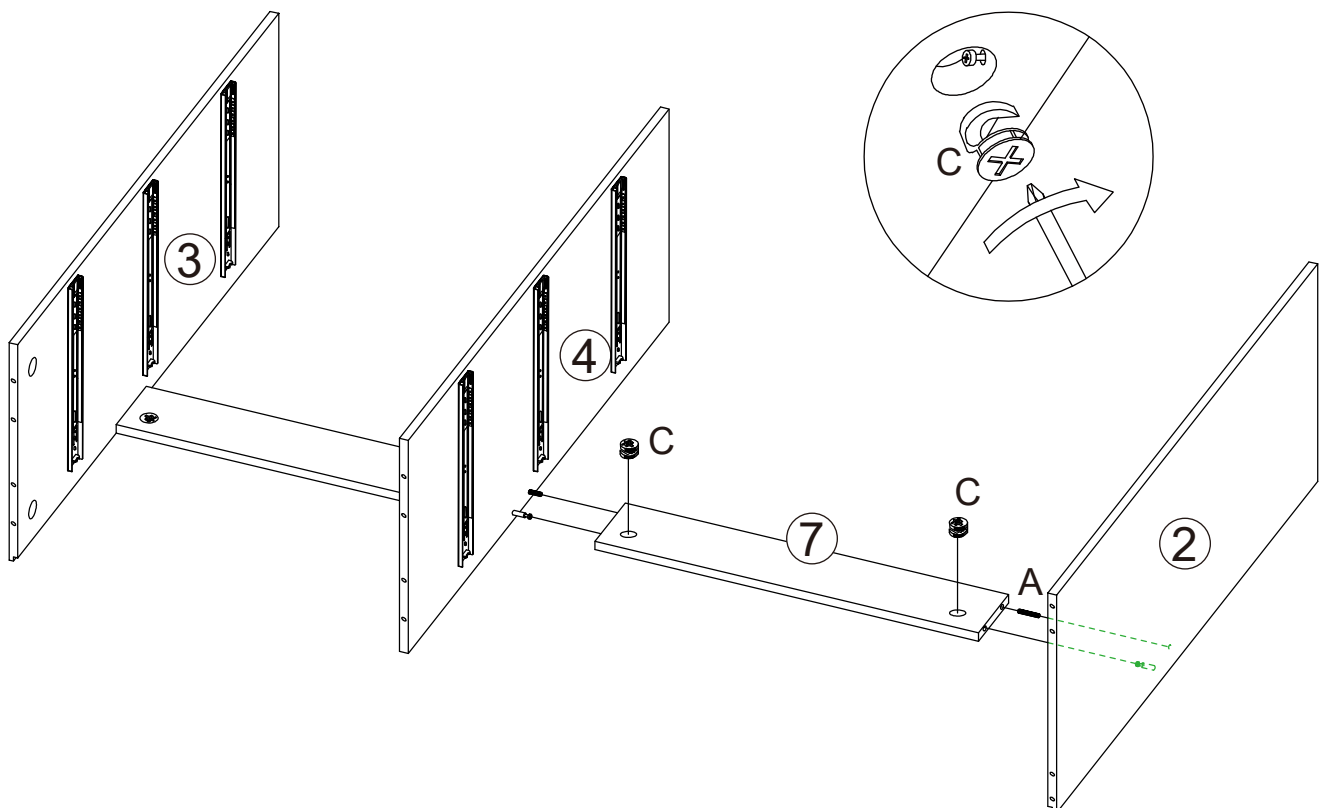


STEP 6

1. Insert wood dowel (A) into the holes of another #7 cross bar.
2. Connect #2 left panel & #4 middle panel to #7 cross bar then tighten cam lock (C) clockwise.

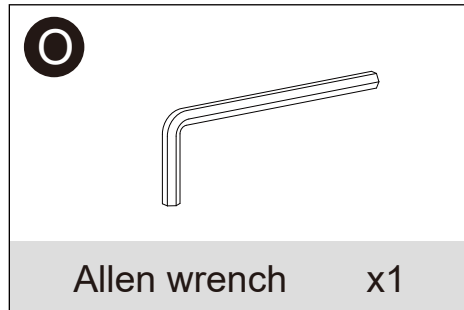
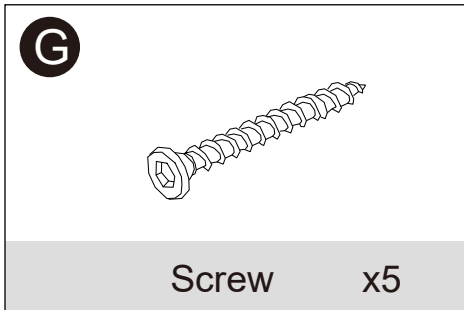
Note:

To prevent the joint on the panel from breaking, it is important to have two people lift the cabinet if necessary after completing this step.



ASSEMBLY STEPS

New panels & accessories needed in below step

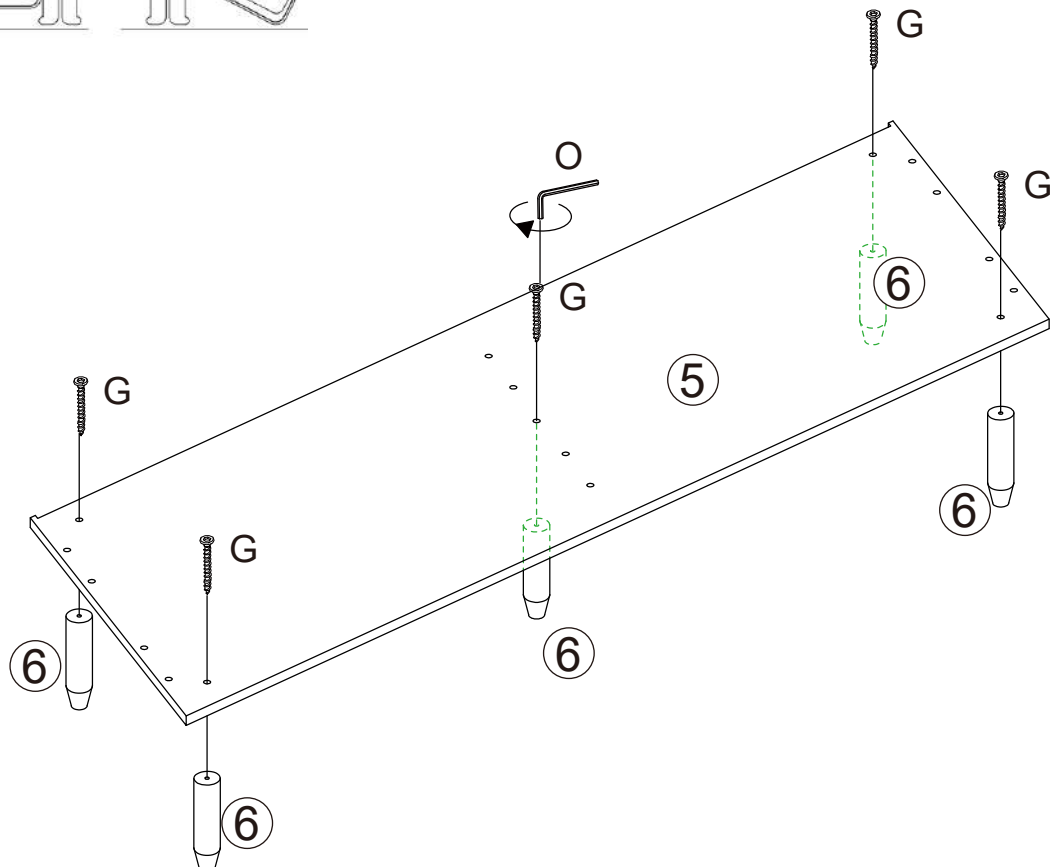


STEP 7

Line up the holes of five #6 legs and #5 bottom board, then attach legs to #5 bottom board with screw (G) and allen wrench (O).

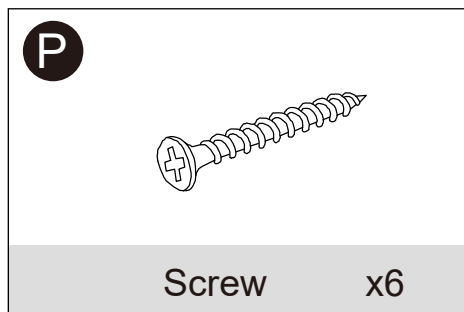
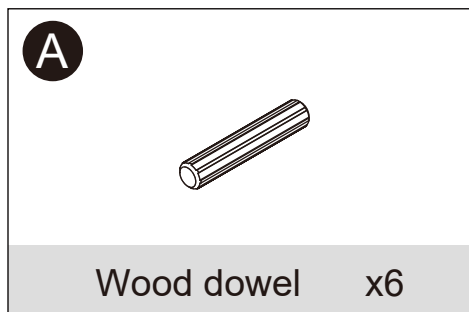
Note:

Don't push or drag! To prevent damage to your furniture, please avoid **dragging or pushing** it once the legs are assembled and instead lift it carefully.



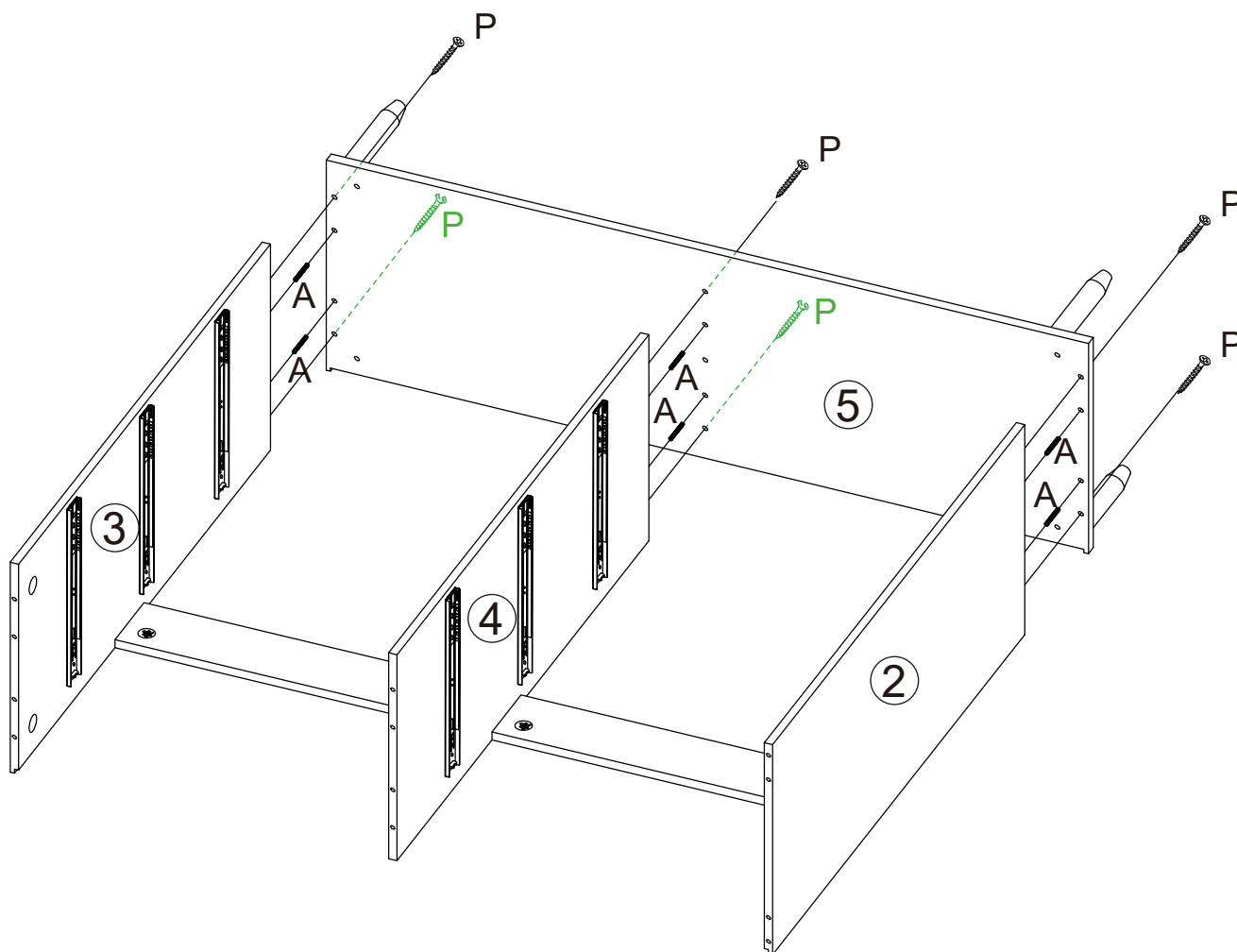
ASSEMBLY STEPS

New panels & accessories needed in below step



STEP 8

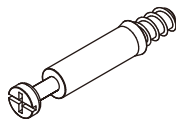
1. Insert 6 wood dowels (A) into the holes of #2, #3 and #4 board.
2. Align the holes of #5 bottom board and #2, #3 and #4 board then connect them by tightening screw (D) clockwise.



ASSEMBLY STEPS

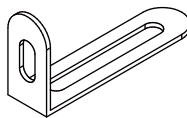
New panels & accessories needed in below step

B



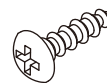
Cam bolt x6

K



Anti-tip bracket x2

L

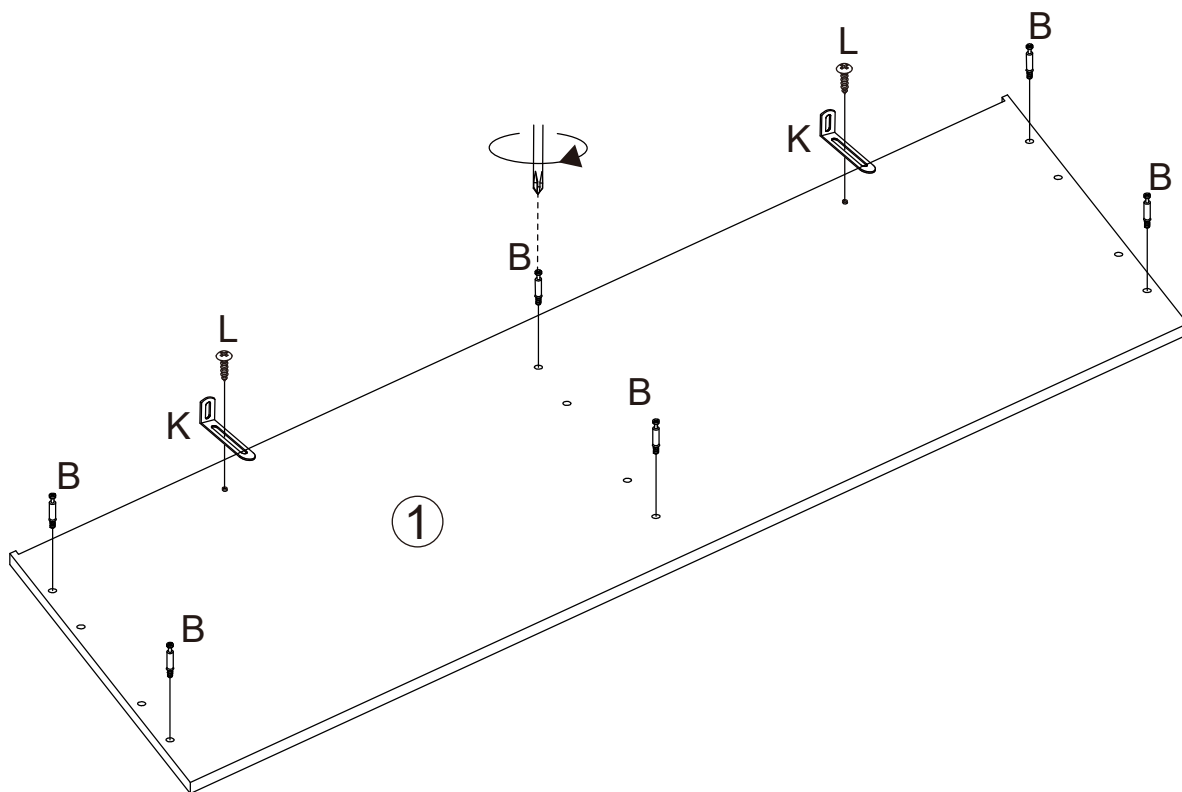


Screw x2

STEP 9

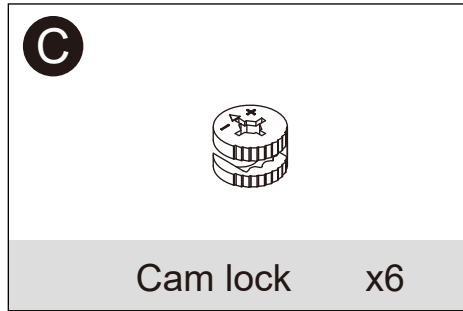
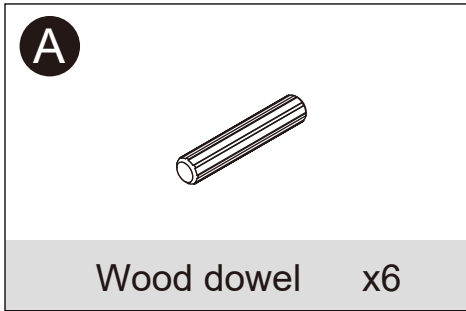
Tighten cam bolt (B) clockwise on #1 top board.

Tip: Put soft rug or packaging paper under board to prevent scratches. then attach anti-tip bracket (K) to back panel with washer (L)



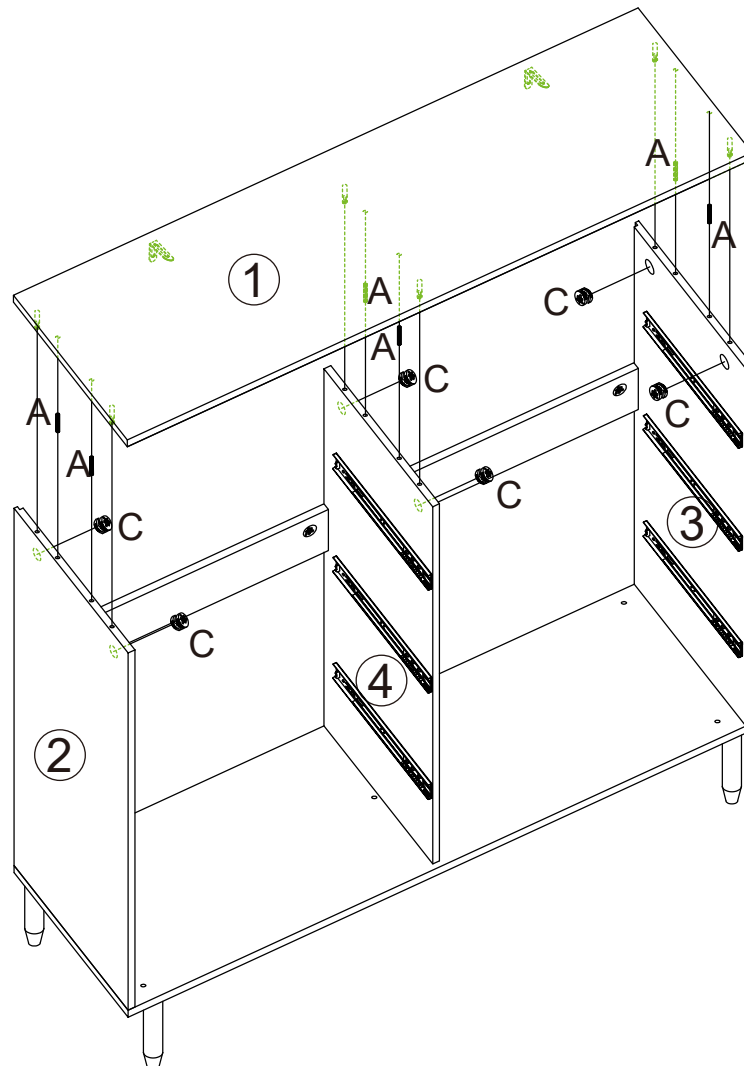
ASSEMBLY STEPS

New panels & accessories needed in below step



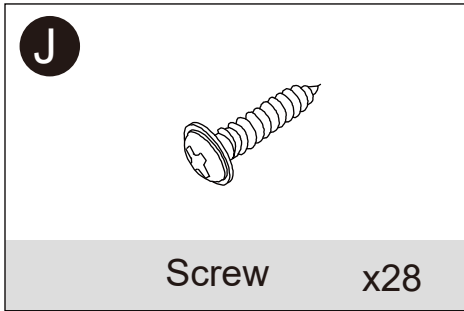
STEP 10

1. Make the nightstand stand up straight.
2. Insert wood dowel (A) into the holes of #2, #3 and #4 board.
3. Attach #1 top board to #2, #3 and #4 board by turning cam lock (C) clockwise.



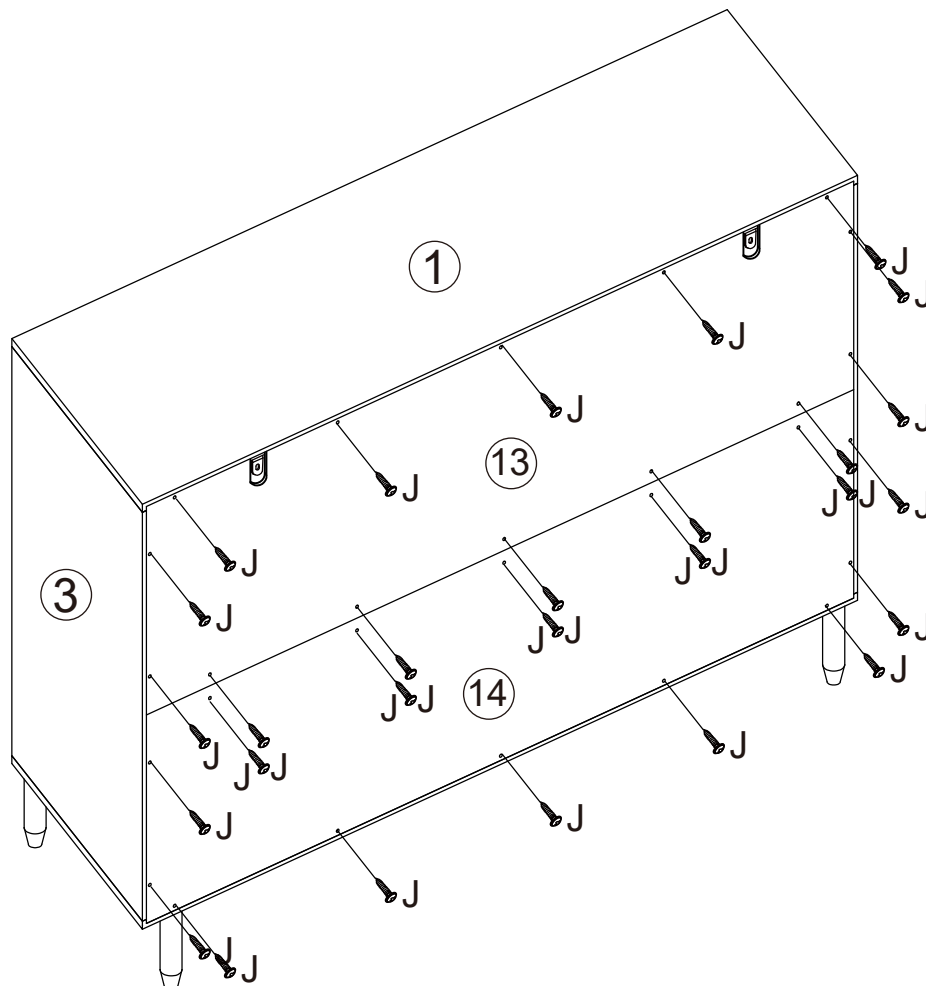
ASSEMBLY STEPS

New panels & accessories needed in below step



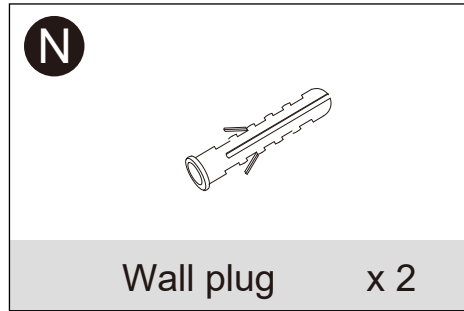
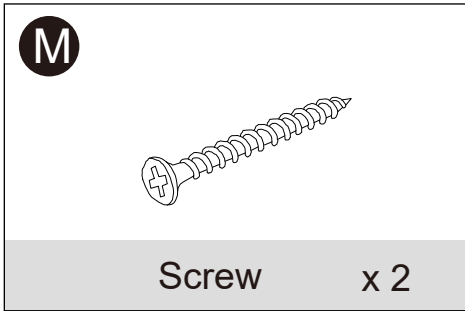
STEP 11

Install #13 upper back panel and #14 lower back panel with screw (J).



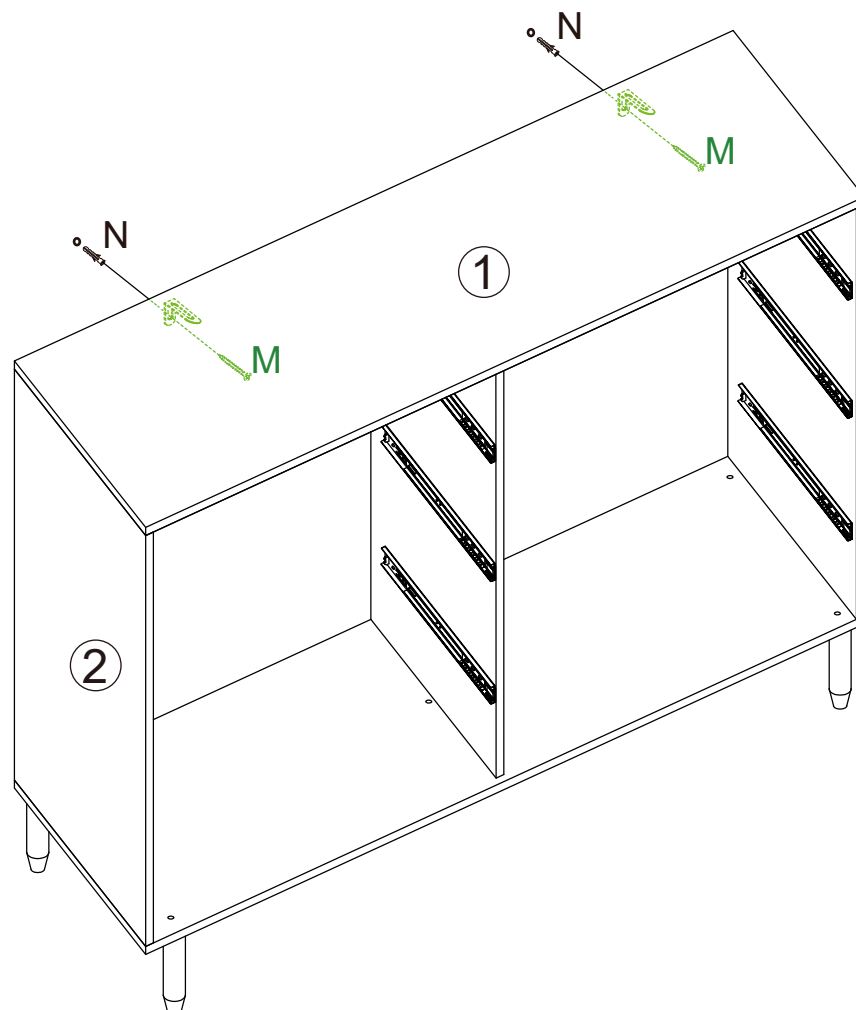
ASSEMBLY STEPS

New panels & accessories needed in below step



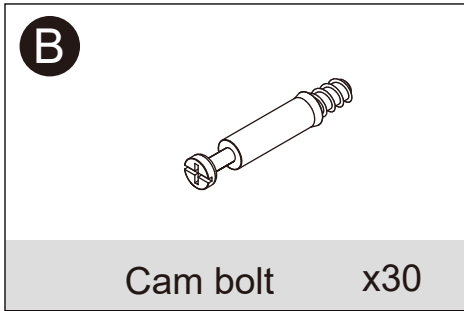
STEP 12

Insert the wall plug (N) into the pre-drilled hole in the solid wall then attach the dresser to the wall and tighten with screw (M).



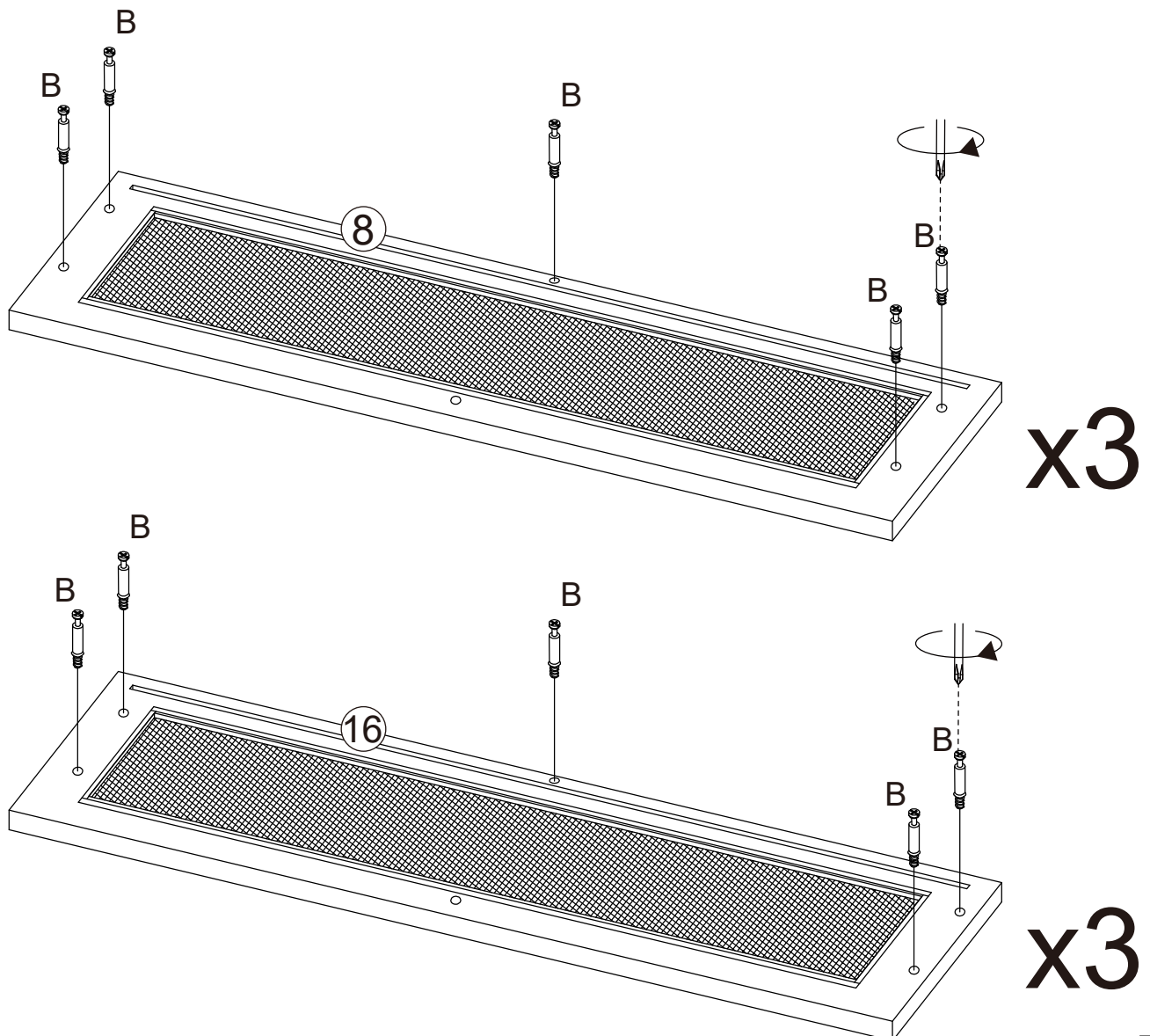
ASSEMBLY STEPS

New panels & accessories needed in below step



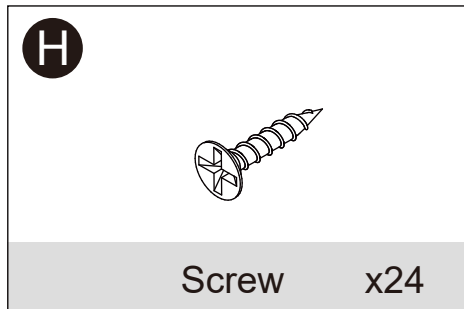
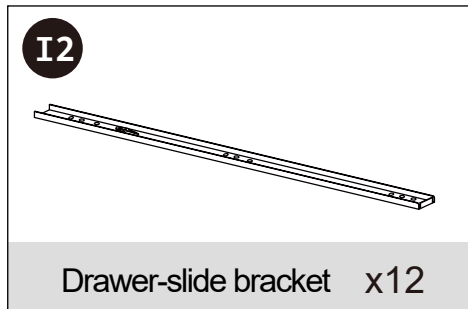
STEP 13

Tighten cam bolt (B) clockwise on #8 drawer front board.



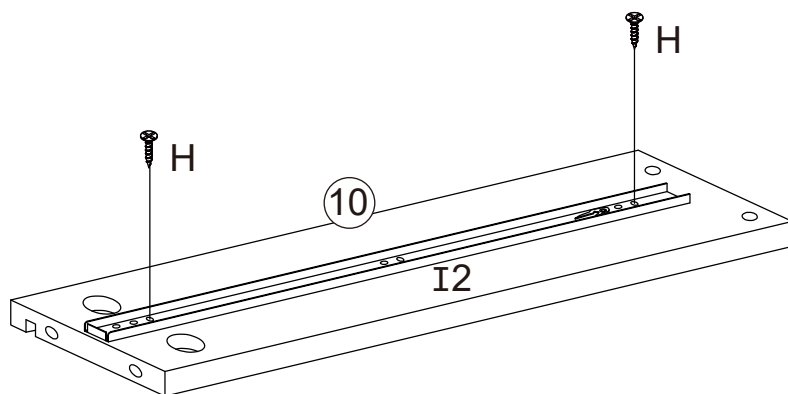
ASSEMBLY STEPS

New panels & accessories needed in below step

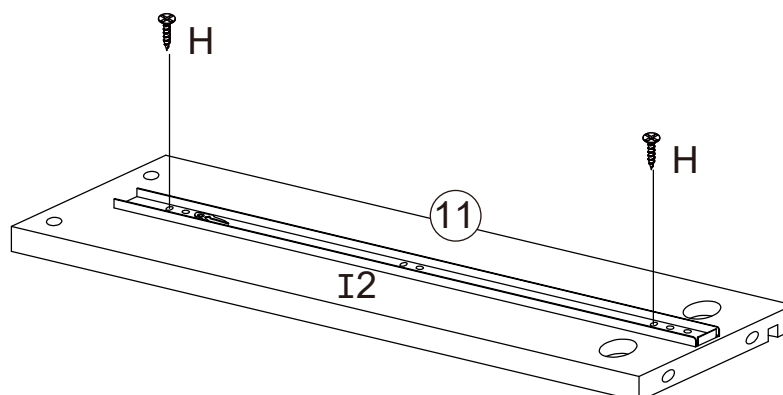


STEP 14

Align the holes of drawer-slide bracket (I2) and #10 drawer left board & #11 drawer right board, then turn the screw (H) clockwise.

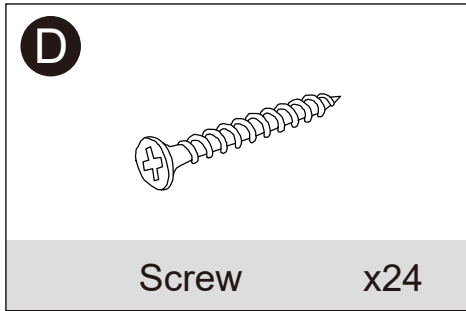


x6



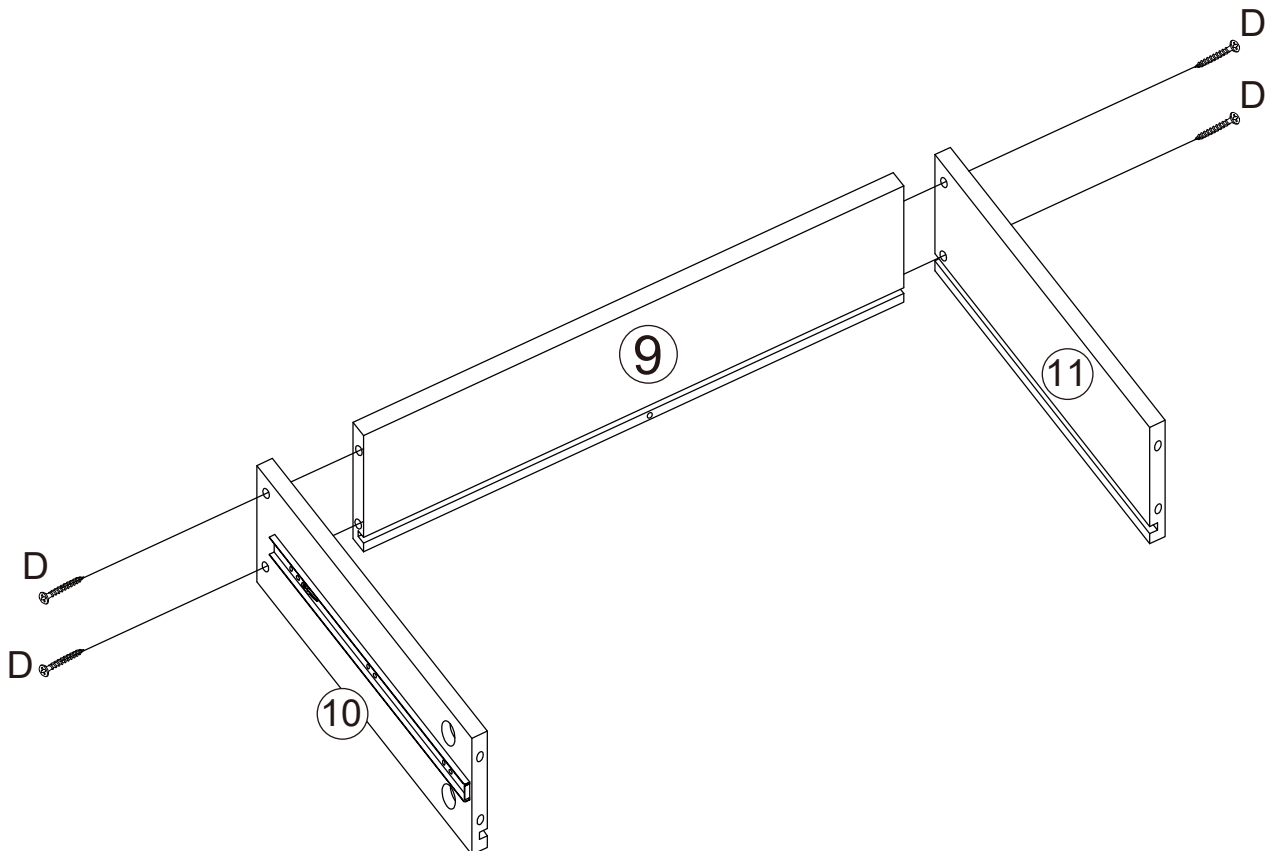
ASSEMBLY STEPS

New panels & accessories needed in below step



STEP 15

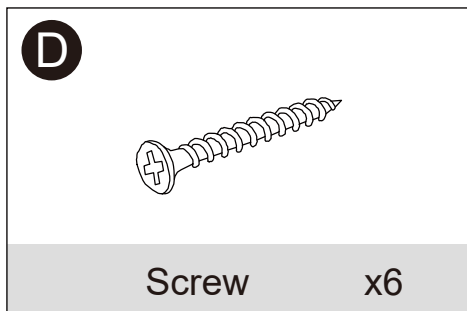
Attach #10 drawer left board and #11 drawer right board to #9 drawer back board with screw (D).



x6

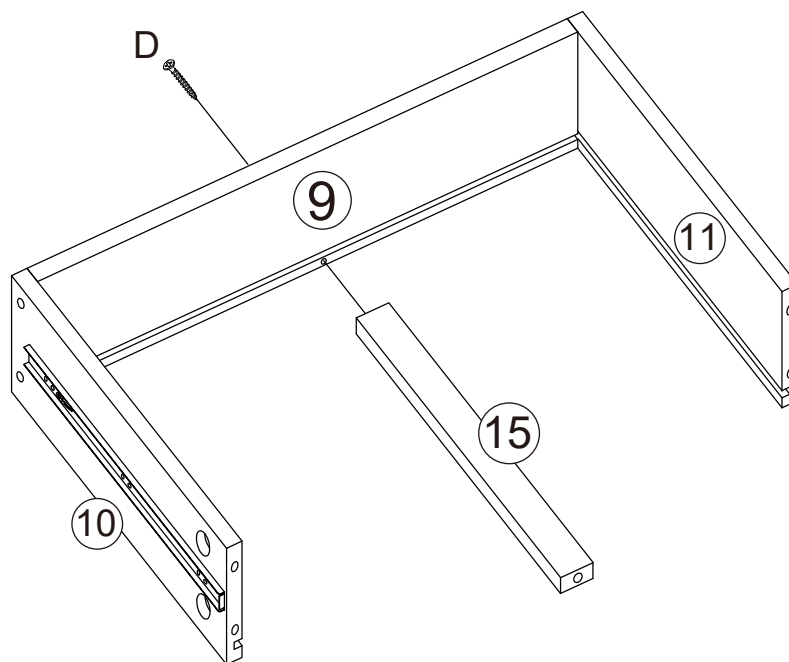
ASSEMBLY STEPS

New panels & accessories needed in below step



STEP 16

Align #15 Support Slat with the hole in #9 Drawer back board, and tighten with screw(D) clockwise.

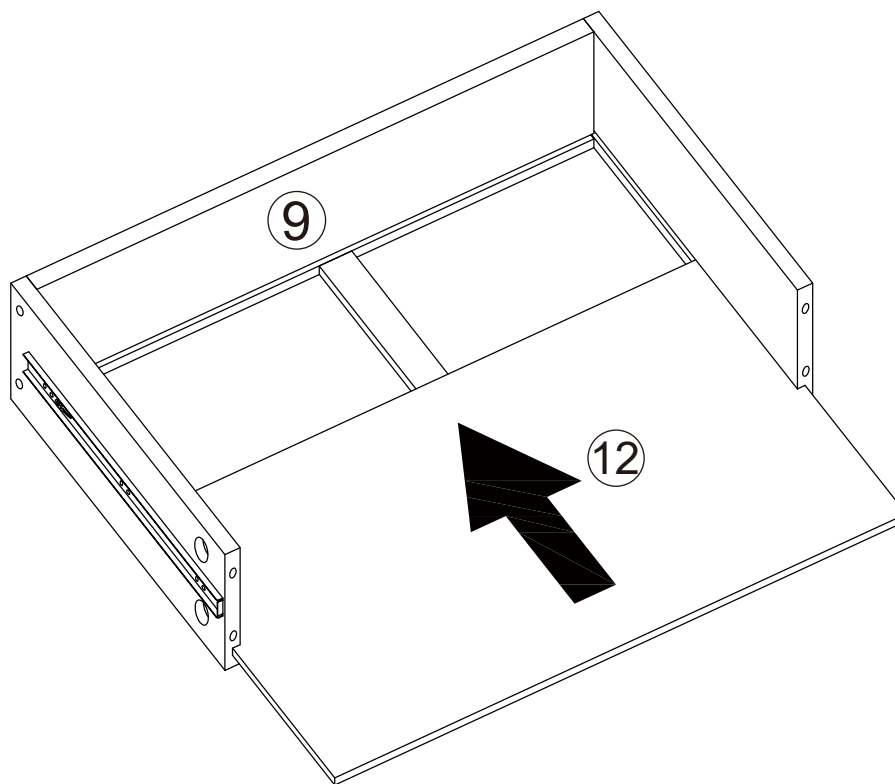


x6

ASSEMBLY STEPS

STEP 17

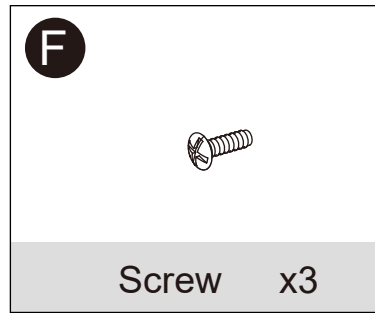
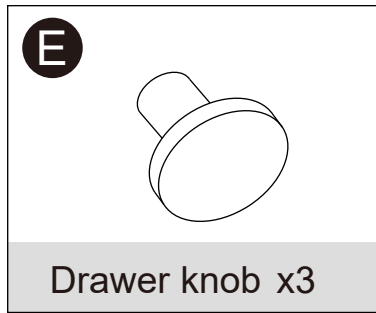
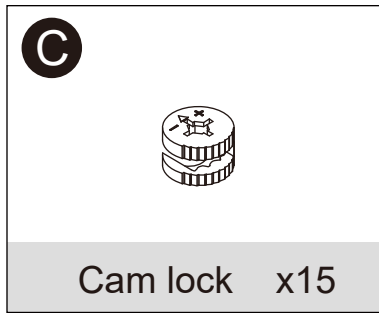
Insert #12 drawer bottom board into the grooves in drawer side boards and back board.



x6

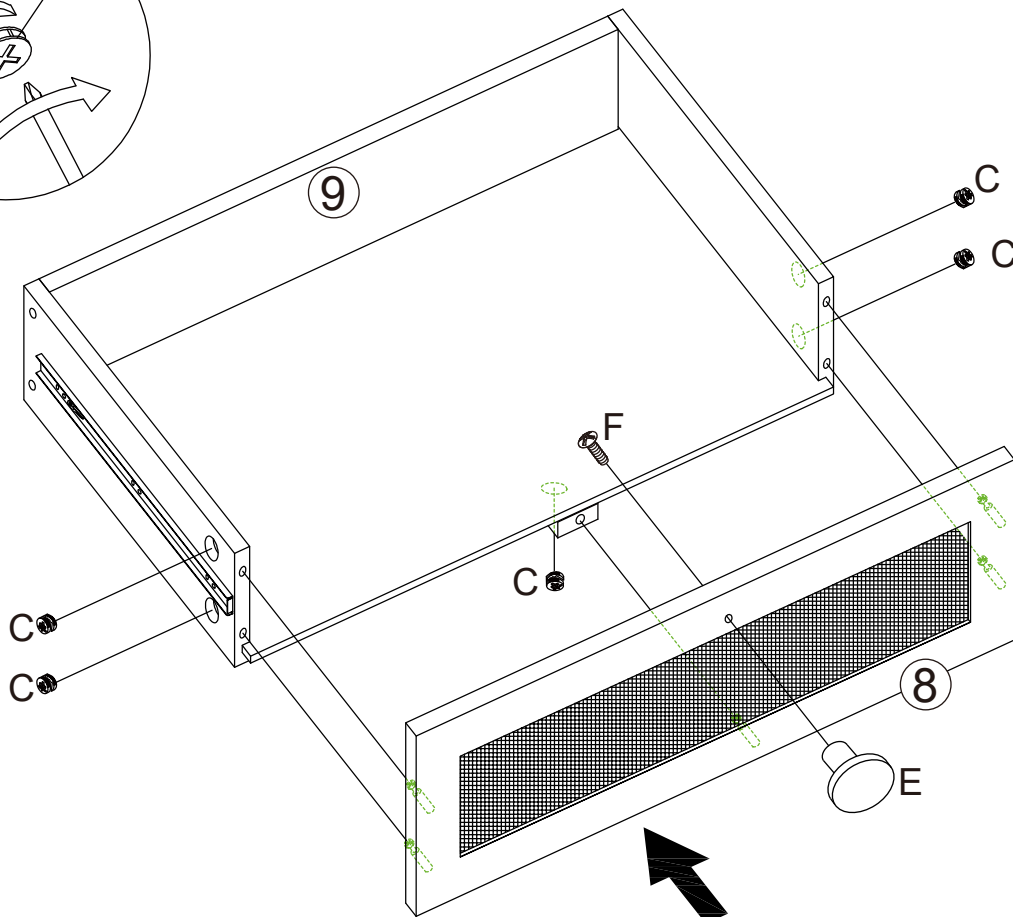
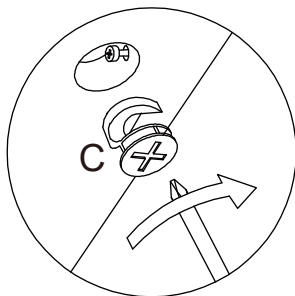
ASSEMBLY STEPS

New panels & accessories needed in below step



STEP 18

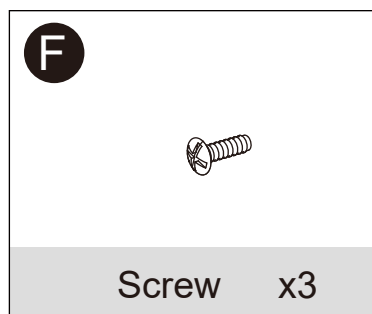
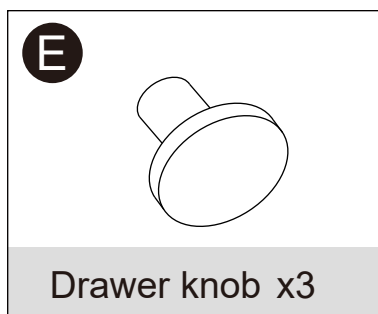
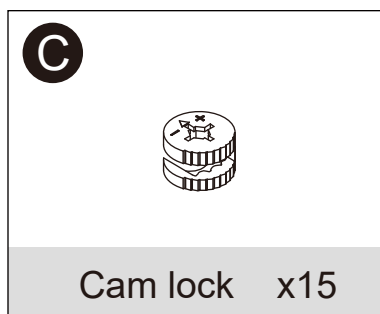
1. Thread drawer knob (E) onto #6 drawer front board with screw (F) then tighten the screw clockwise.
2. Insert pre-installed cam bolts on #8 drawer front into the holes of drawer side boards, and tighten cam lock (C) clockwise.



x3

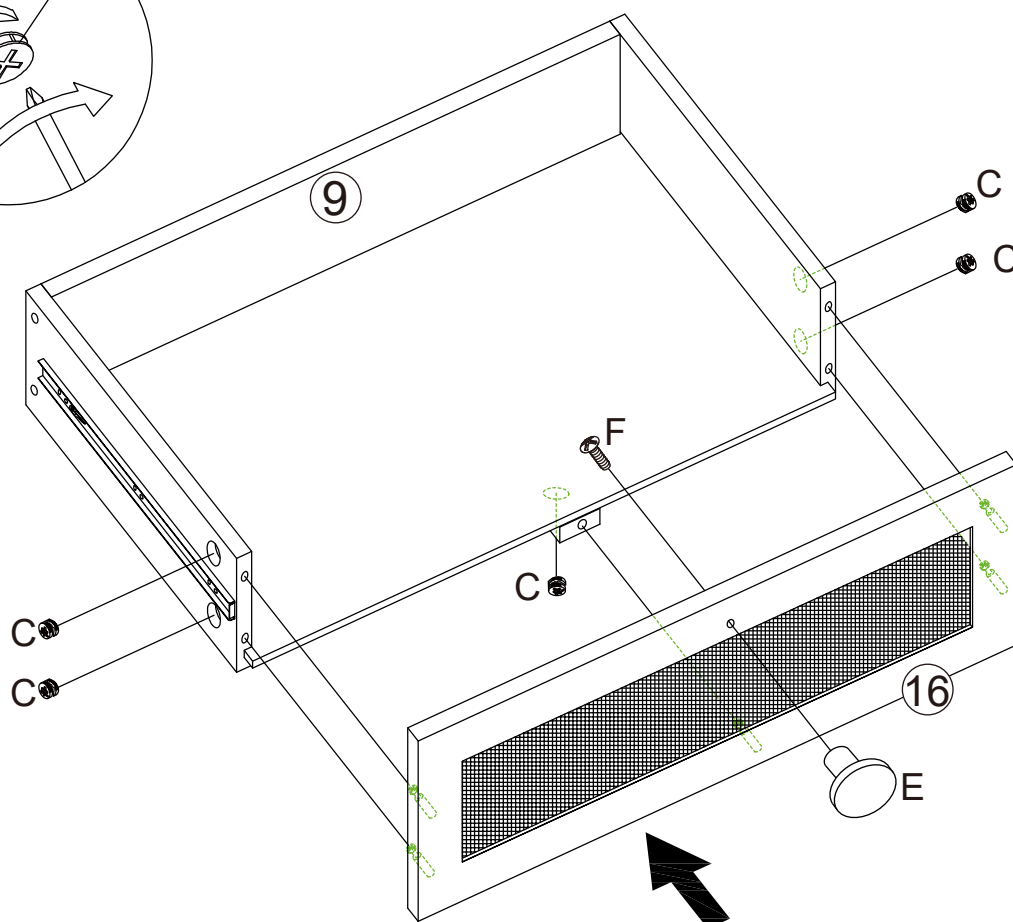
ASSEMBLY STEPS

New panels & accessories needed in below step



STEP 19

1. Thread drawer knob (E) onto #6 drawer front board with screw (F) then tighten the screw clockwise.
2. Insert pre-installed cam bolts on #16 drawer front into the holes of drawer side boards, and tighten cam lock (C) clockwise.



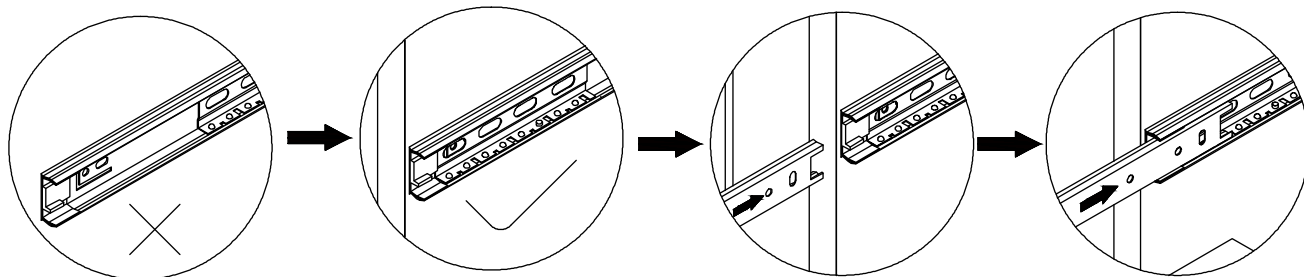
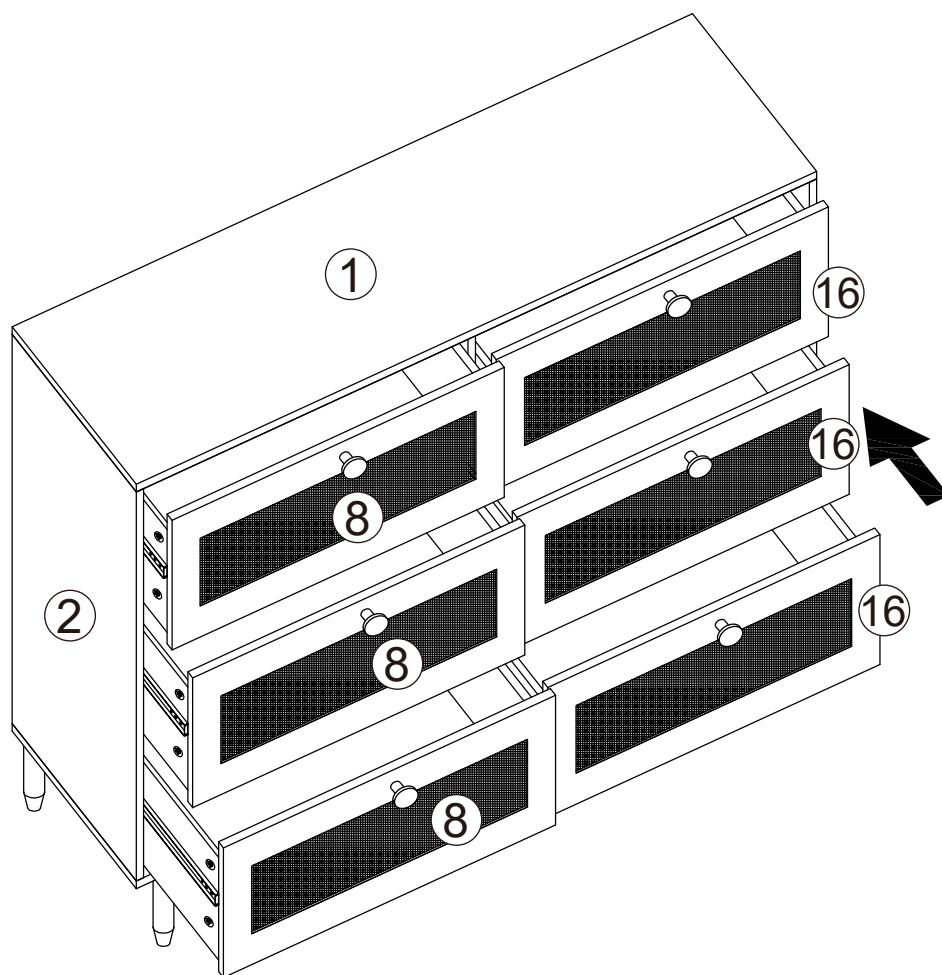
x3

ASSEMBLY STEPS

STEP 20

Attach drawers to nightstand as shown below.

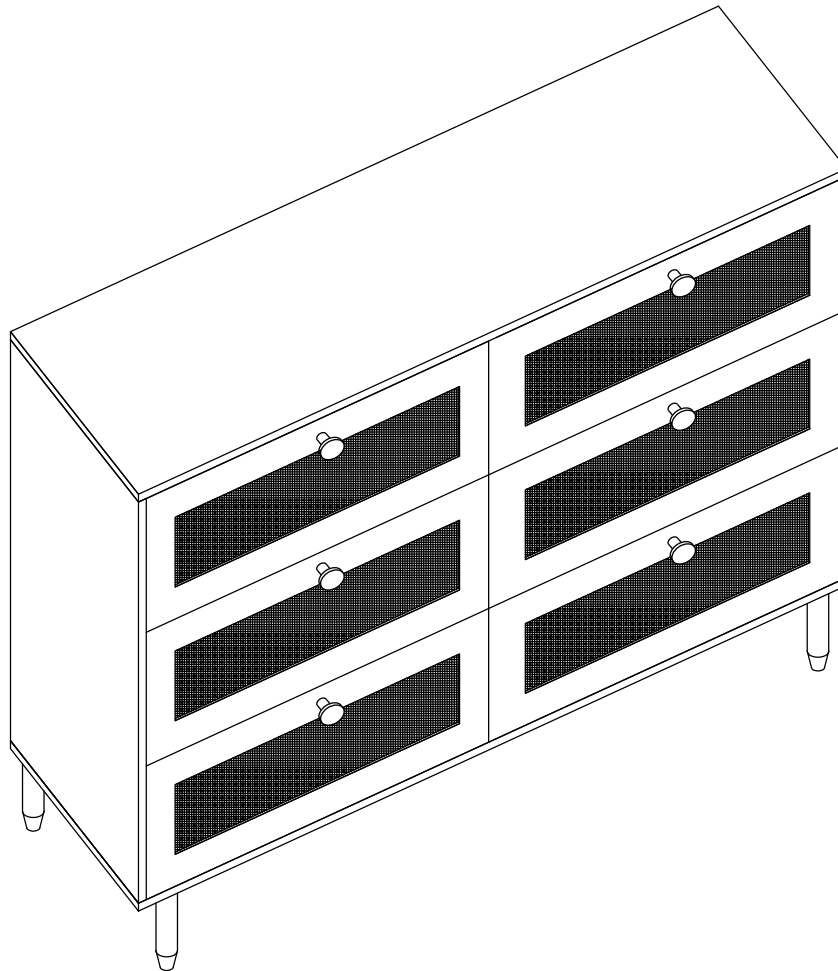
Attention: please align the slides on the drawer and nightstand first then horizontally push the drawer into place, or the rail would be damaged.



ASSEMBLY STEPS

STEP 21

Fully assembled nightstand is shown in the below figure.
Just enjoy it!



Supplementary Instructions for Safe Use

English

WARNING



Children have died from furniture tipover. To reduce the risk of furniture tipover:

- ALWAYS install tipover restraint provided.
- NEVER put a TV on this product.
- NEVER allow children to stand, climb or hang on drawers, doors, or shelves.
- NEVER open more than one drawer at a time.
- Place heaviest items in the lowest drawers.
- Do not defeat or remove the drawer interlock system.

This is a permanent label.

Do not remove!

French

ATTENTION



Des enfants sont morts du basculement des meubles. Pour réduire le risque de basculement des meubles:

- TOUJOURS installer la retenue de basculement fournie.
- NE JAMAIS mettre de téléviseur sur ce produit.
- NE JAMAIS permettre aux enfants de se tenir debout, de grimper, ou de s'accrocher à des tiroirs, des portes ou des étagères.
- N'ouvrez JAMAIS plus d'un tiroir à la fois.
- Placez les objets les plus lourds dans les tiroirs les plus bas.
- Ne désactivez pas et ne retirez pas le système de verrouillage du tiroir.

Ceci est une étiquette permanente.

Ne pas enlever!

German

WARNUNG



Kinder sind an einem Möbelkipp gestorben. So verringern Sie das Risiko eines Umkippens von Möbeln:

- Installieren Sie **IMMER** die mitgelieferte Kipprückhaltevorrichtung.
- Stellen Sie **NIEMALS** einen Fernseher an dieses Produkt.
- Lassen Sie Kinder **NIEMALS** an Schubladen, Türen oder Regalen stehen klettern oder hängen.
- Öffnen Sie **NIEMALS** mehr als eine Schublade gleichzeitig.
- Legen Sie schwerste Gegenstände in die untersten Schubladen.
- Besiegen oder entfernen Sie das Schubladenverriegelungssystem nicht.

Dies ist ein dauerhaftes Etikett.

Nicht entfernen!