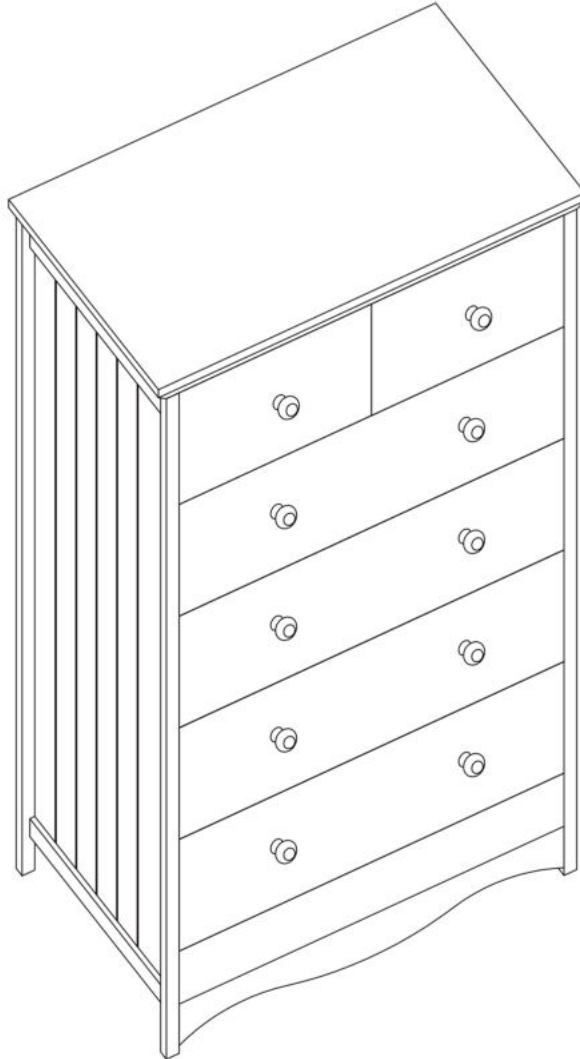




VINGLI 6-DRAWER DRESSER

ASSEMBLY INSTRUCTION



Thank you for purchasing from VINGLI!
Please contact us via email if parts are missing or damaged, we will gladly ship your replacement parts free of charge

⚠ IMPORTANT

THIS INSTRUCTION BOOKLET CONTAINS IMPORTANT SAFETY INFORMATION.
PLEASE READ AND KEEP FOR FUTURE REFERENCE.

CONTENT

- 1. Return & Warranty..... 1
- 2. Before Starting 2
- 3. Assembly Tips..... 3
- 4. Identify Parts 4
- 5. Guide to Paint 7
- 6. Assembly Steps 8
- 7. FAQs 28
- 8. Supplementary Instruction for Safe Use 29

RETURN & WARRANTY

Thank you for choosing our product!

We would like to take this opportunity to thank you for choosing VINGLI.

We hope that you are completely satisfied with your purchase, and enjoy it for years to come.

Your satisfaction is our highest pursuit.

Return policy

VINGLI believes you will absolutely love your 6-drawer dresser, but if for some reason you want to return the product, please contact us directly before you decide to return your product to the retailer. Our Customer Service organization can answer most concerns and can assist you with any questions you may have about your new product.

The item must be returned in good condition, in original box, with all original proof of purchase, parts and accessories, within the time frame specified by the retailer it was purchased from.

Warranty

VINGLI warrants this product to be free from defects in material and workmanship agrees to remedy any such defect. This warranty covers one year from the date of original purchase. This is solely limited to be repair or replacement of defective parts and no assembly labor is included.

This warranty does not apply to any product which has been improperly assembled, subjected to misuse or abuse or which has been altered or repaired in any way.

Components repaired or replaced warranted through the remainder of the original warranty period only. The defective components will be repaired or replaced without charge, subject to the terms and conditions described above.

For help with assembly, identifying parts, product information or to order parts, please contact us freely.

BEFORE STARTING

Before Using Product



- Read each step carefully before starting. It is very important that each step is performed in the correct order. If these steps are not followed in sequence, assembly difficulties will occur.



- Make sure all parts are included. Most board parts are labeled or stamped on the raw edge.

- Prepare a flat and Philips screwdriver (not included)
A Power Screwdriver is recommended.



- Recommended # of people needed for assembly: 1 (however it is always better to have an extra hand).

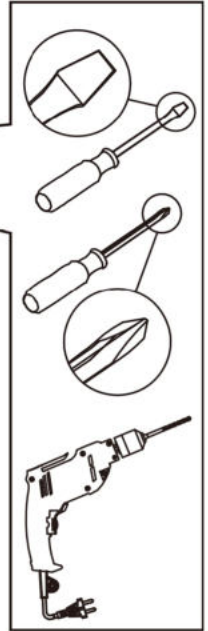
Estimated assembly time is 4 hours



- Work in a spacious area and near where the unit will be used, preferably on a carpet, or use a piece of the cardboard packaging to protect your floor and product.



- For a smooth assembly process, we suggest you keep a lite tightness for all the screws during assembly. After the whole product is assembled, firmly tighten all the screws.



WARNING :

-Do not allow children to climb on unit

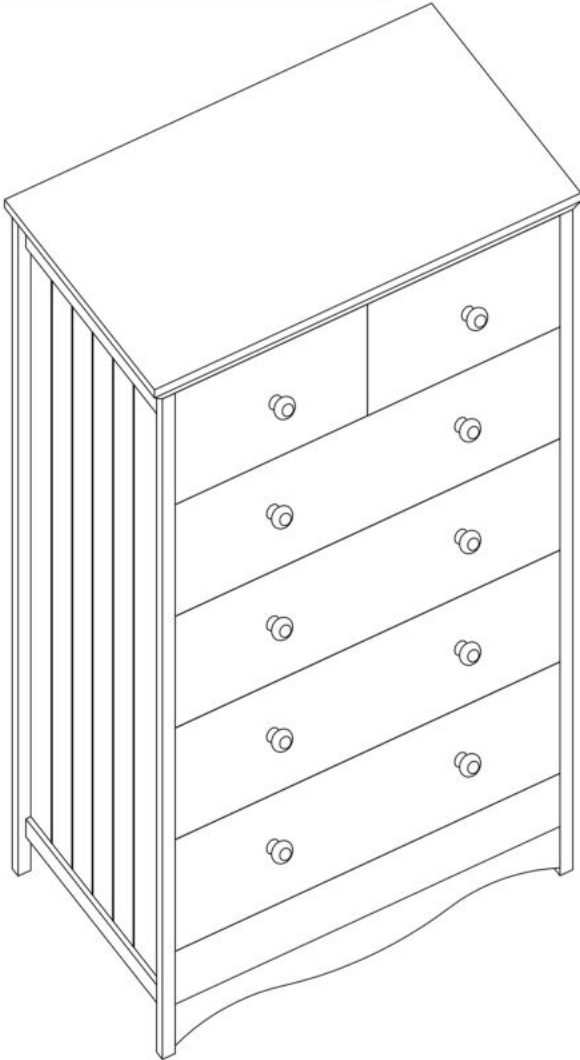
-Serious or fatal crushing injuries can occur from furniture tip-over. To prevent this furniture from tipping over, it must be permanently fixed to the wall. Fixing devices for the wall are not included since different wall materials require different types of fixing devices. Use fixing devices suitable for the walls in your home. For advice on suitable fixing systems, contact your local specialized dealer

-Avoid sharp objects or corrosive chemicals to prevent damage to the product

-During assembly, keep parts and packaging materials away from children and pets as there could be potential injury and choking hazards

ASSEMBLY TIPS

Applicable Model



OVERALL SIZE:

31.5"W x 17.7"D x 49.2"H
80cm x 45cm x 125cm(LxWxH)

FEATURES:

Solid Wood
DIY Its Color
6-Drawer Storage Space



Estimated Time for Assembly

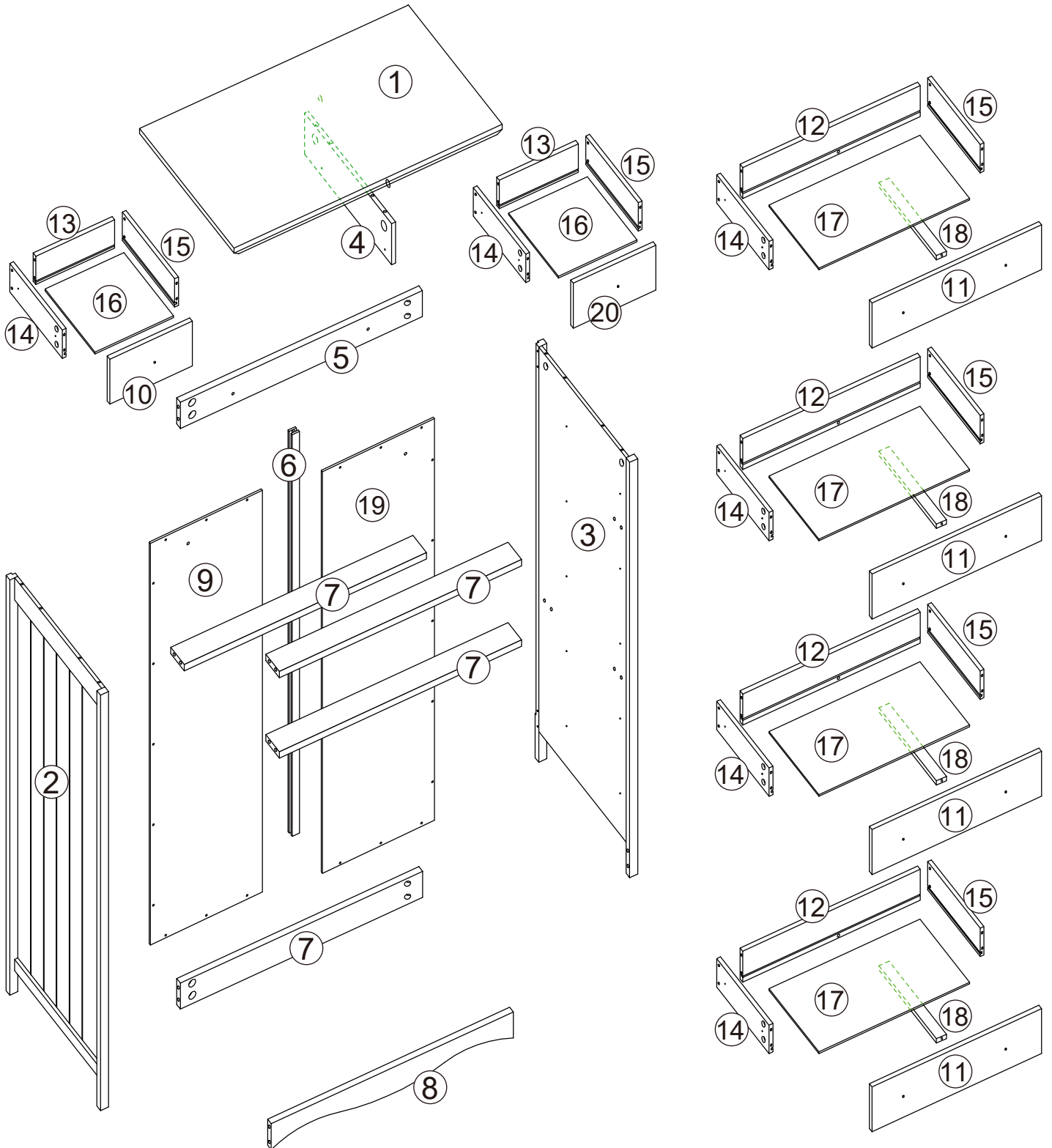
240 mins

Caution:

1. This product is designed for home use and not intended for commercial use.
2. This product contains small components. Please ensure that they are kept away from small children.
3. Be careful when using power tools to assemble your furniture. Power tools may strip or damage the parts.

IDENTIFY PARTS

One unit per box



COMPONENTS

1



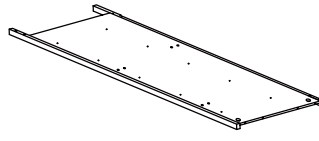
Top Panel x1

2



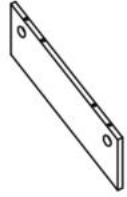
Left Side Panel x1

3



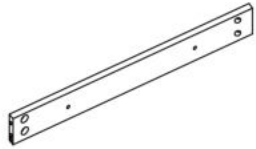
Right Side Panel x1

4



Separate Panel x1

5



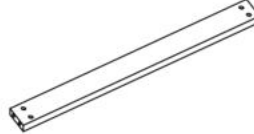
Back Upper Support Panel x1

6



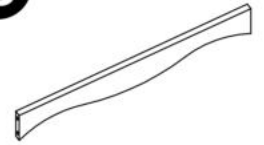
Back Panel Connection Strip x1

7



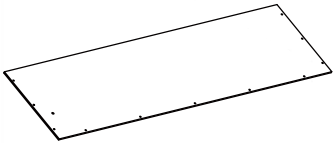
Middle Support Panel x4

8



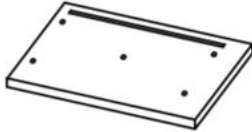
Front Foot Panel x1

9



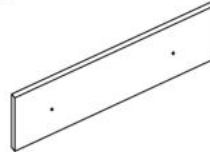
Back Panel x1

10



Small Left Drawer Front Panel x1

11



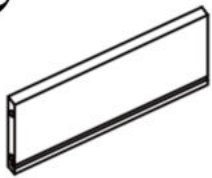
Big Drawer Front Panel x4

12



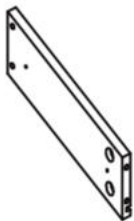
Big Drawer Back Panel x4

13



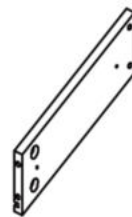
Small Drawer Back Panel x2

14



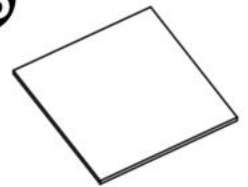
Drawer Left Panel x6

15



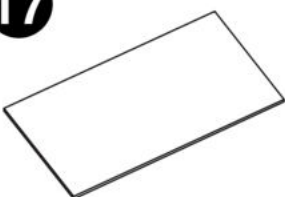
Drawer Right Panel x6

16



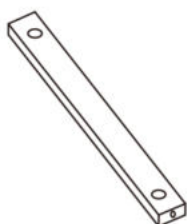
Small Drawer Bottom Panel x2

17



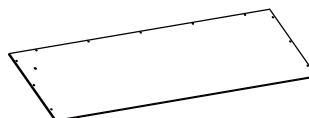
Big Drawer Bottom Panel x4

18



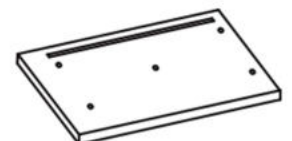
Big Drawer Bottom Support Panel x4

19



Back Panel x1

20



Small Right Drawer Front Panel x1

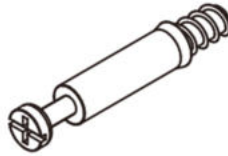
COMPONENTS

A



Wood Dowel x6

B



+2(spare)

Cam Bolt x62

C



+2(spare)

Cam Lock x62

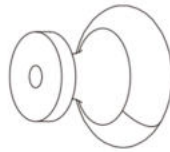
D



+2(spare)
4x30mm

Screw x24

E



+1(spare)

Handle x10

F



+1(spare)
3x25mm

Screw x10

G



+1(spare)

Drawer Slide x12

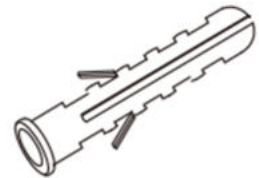
H



+2(spare)
3x12mm

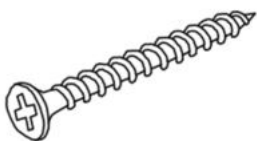
Screw x48

I



Expansion Screw x2

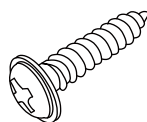
J



4x50mm

Screw x2

K



+2(spare)
2x10mm

Screw x22

GUIDE TO PAINT

Your furniture is part of nature's handwork. Every item has its own unique grain pattern and color. We recommend that you finish painting before assembly to avoid dead spots that cannot be covered by paint.

Take your time to finish, remember don't rush - it may take a little longer, but you will be proud of the results.

Step 1: Prep-Undercoat

- A. Sand | Before sanding, make sure the wood is clean and dry. Start sanding with (#220) sandpaper in the direction of the wood grain. Wipe off all the sanding dust with a tack cloth (Old T-shirt works great);
- B. Pre-Stain the undercoat | Condition with undercoat (Oil-Based Pre-Stain Wood Conditioner). Allow 5-15 minutes to penetrate and then wipe with a lint-free rag. Allow 1-2 days to dry (Different undercoat, different drying time);
- C. Repeat A & B | Never skip the initial sanding of all parts. This helps you reach the most uniform color.

Step 2: Stain (Skip this step if you want to keep the original color)

- A. Stir your stain | Be sure stain is stirred thoroughly. Even 5 minutes of stirring is common. This keeps the stain color consistent from the top of can to the bottom;
- B. Pre-test | It's a good idea to pre-test the color in a hidden spot. This will allow you to check stain color before proceeding;
- C. Stain | Start staining by going with the grain using a natural bristle brush. Wait 5-15 minutes to penetrate and then wipe with a lint-free rag in the direction of the wood grain to remove the excess stain and blending the lighter and darker areas together. Allow 1-2 days to dry;
- D. Repeat C | One coat is adequate. For more intense color, repeat the application process.

Step 3: Protect-Topcoat

- A. Apply Topcoat | Apply a thin topcoat (polyurethane protective topcoat) in the direction of the wood grain. Allow 1-2 days to dry;
- B. Repeat A | Repeat 1 or 2 more times for optimal protection. Always sanding lightly with a (#220) sandpaper and wipe off all the sanding dust with a lint-free rag between coats

Tips:

- A. Stain one surface at a time and do the harder areas first. There is no particular motion to apply the stain, we recommend to do cross grain first and then with the grain;
- B. As you stain each area, wipe excess stain off with the grain, then move to another area, as you finish, go back over the entire piece with a clean rag to wipe up all excess stain;
- C. Apply at least one coat of stain or clear finish to all surfaces of the item. Topcoats provide long-lasting beauty and protection from cracking and everyday wear and tear;
- D. Paint needs to be done before assembly, otherwise it will lead to incomplete covering of product gaps and dead ends.

ASSEMBLY STEPS

Hi dear! After the prep work, I believe you are looking forward to starting assembly. Please remember to read through the manual first and take your time!

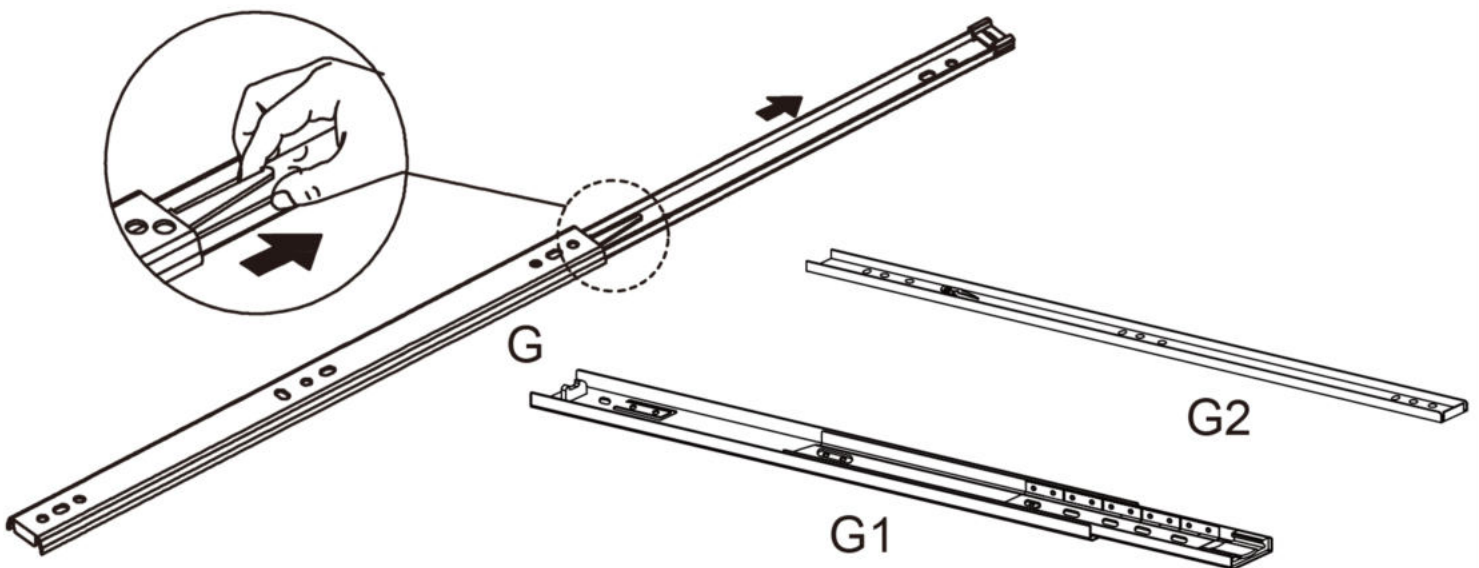
G



Drawer Slide x12

STEP 1

Press the detach button down to detach the Drawer Slide(G) into 2 parts:
G1 G2



ASSEMBLY STEPS

B

Cam Bolt x12

G

Drawer Slide x5

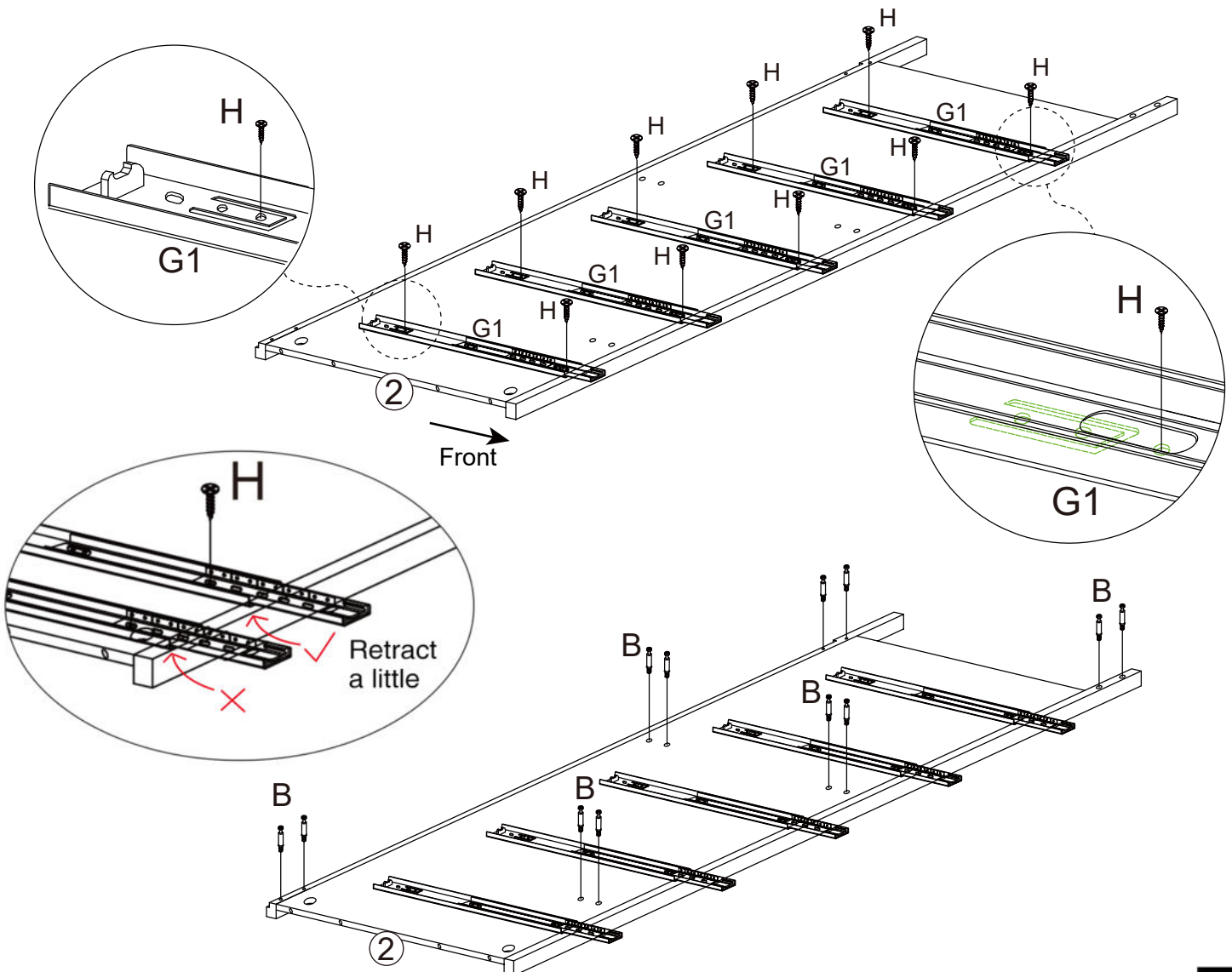
H3x12mm
Screw x10

STEP 2

Fix Drawer Slide(G1) to Panel #2 with Screw(H)

Screw Cam Bolt(B) to Panel #2

Note! The pre-drilled holes on the panel for locating the slide rail are relatively small, look carefully. Please don't worry, they are there



ASSEMBLY STEPS

B



Cam Bolt x12

G



Drawer Slide x5

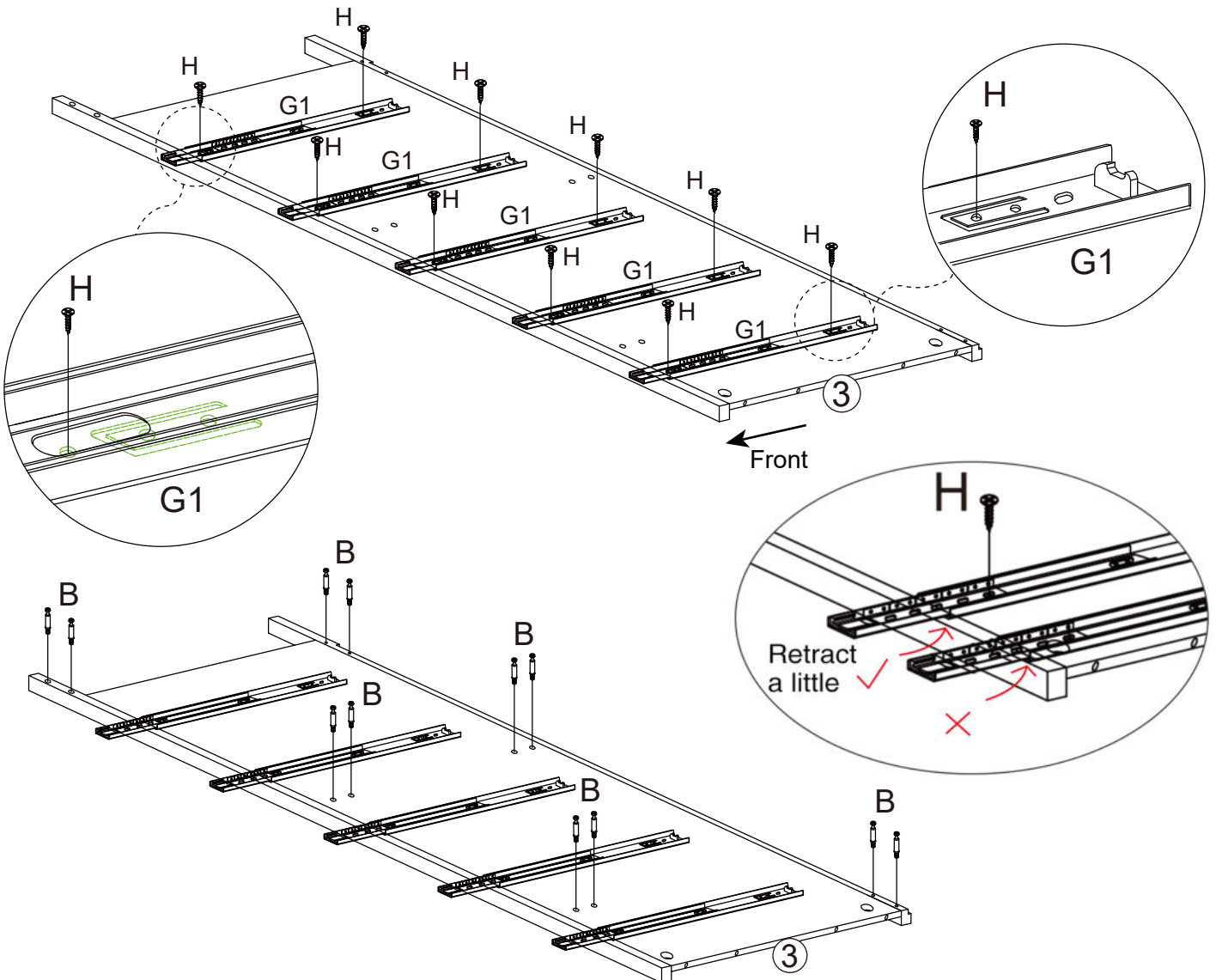
H



3x12mm
Screw x10

STEP 3

Fix Drawer Slide(G1) to Panel #3 with Screw(H) as the same way to Step 2
Screw Cam Bolt(B) to Panel #3



ASSEMBLY STEPS

G



Drawer Slide x2

H

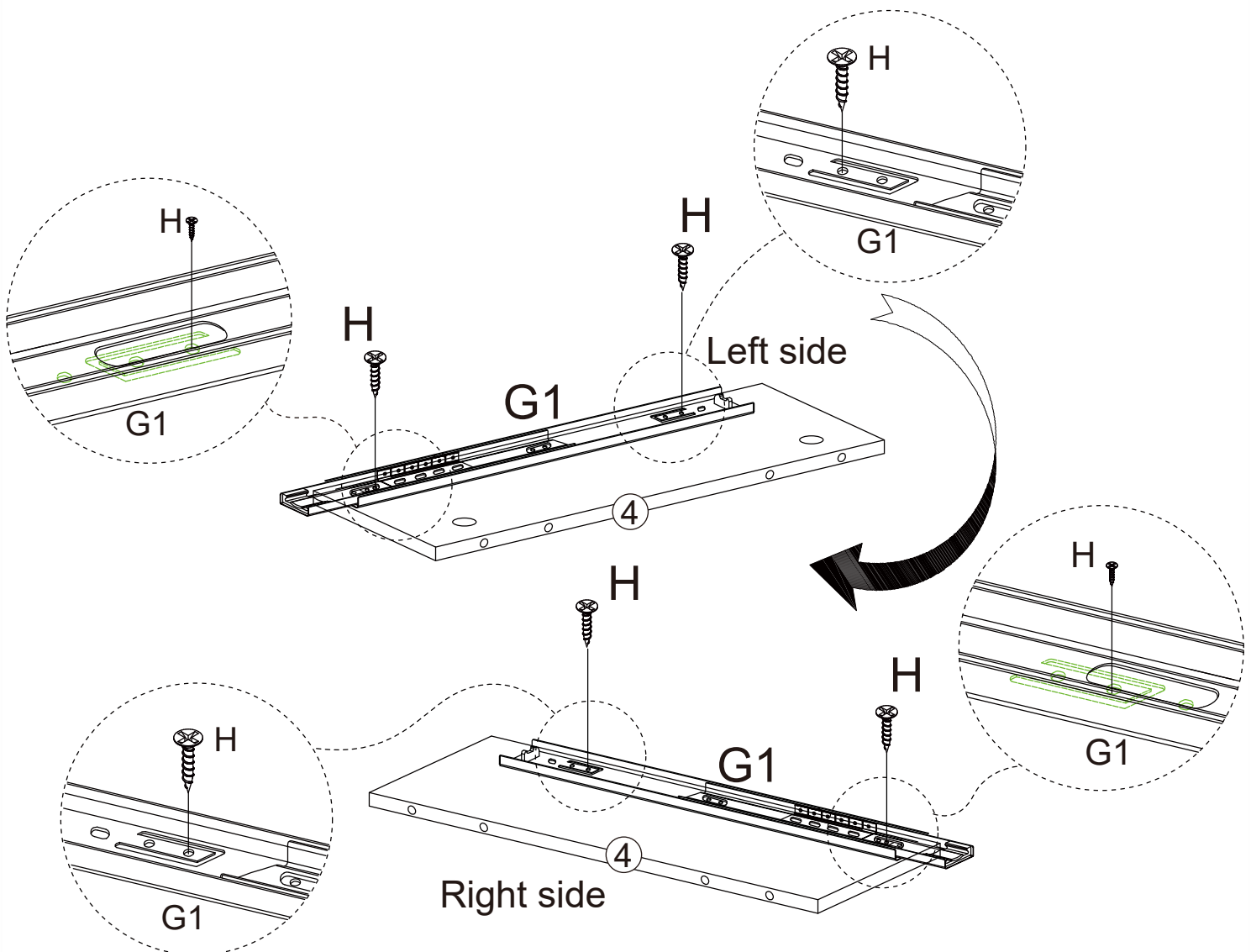


3x12mm

Screw x4

STEP 4

Fix Drawer Slide(G1) to both sides of Panel #4 accordingly. Please note that the holes for screwing are different from those in steps 2 & 3



ASSEMBLY STEPS

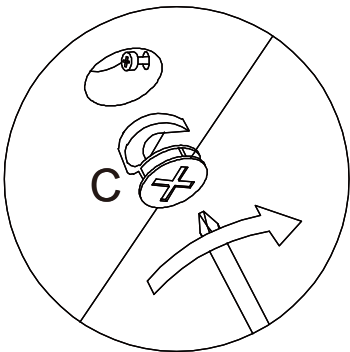
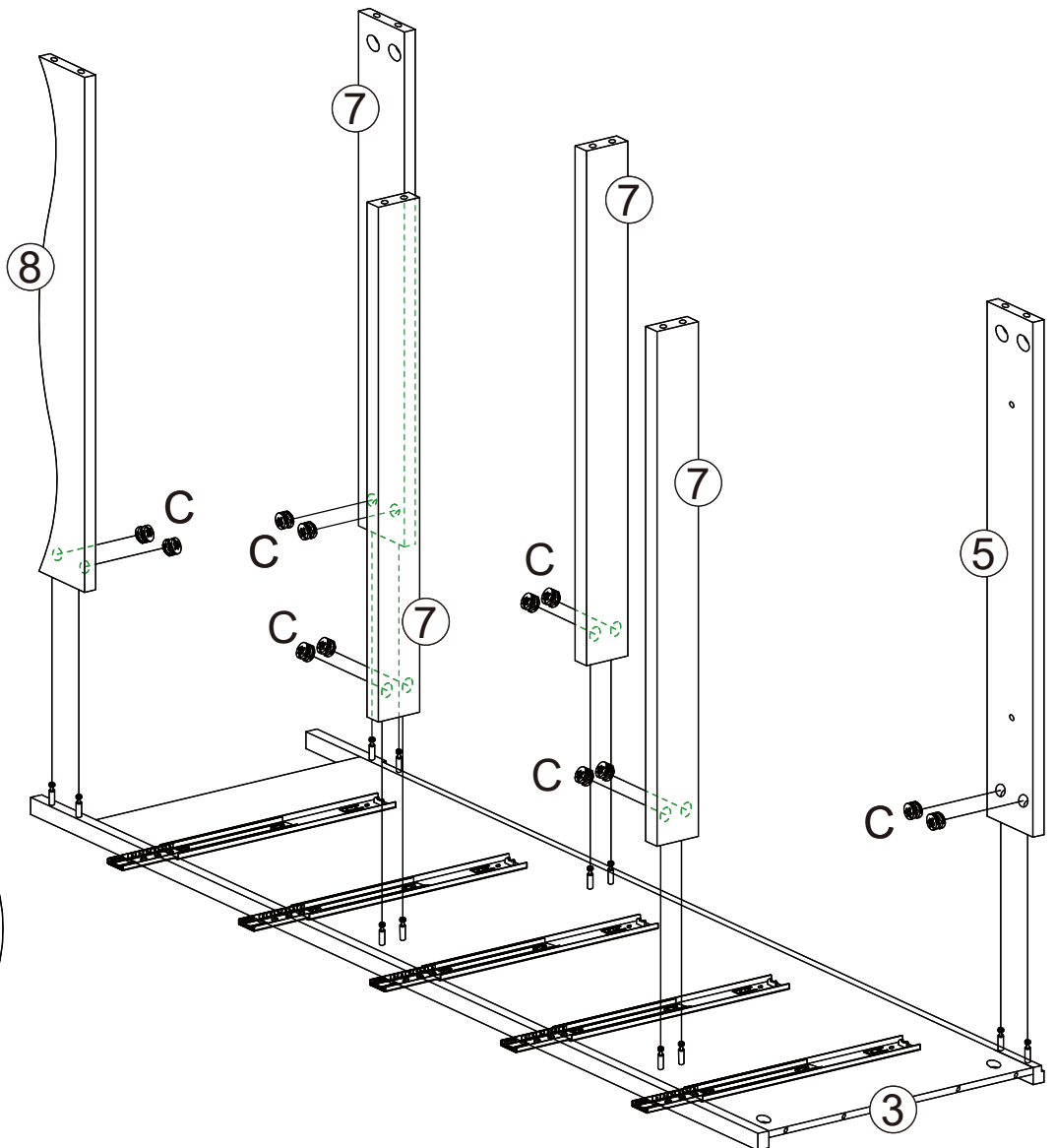
C



Cam Lock x12

STEP 5

Connect Panel #5 #7 #8 to Panel #3 in turn and fix them with Cam Lock(C)



ASSEMBLY STEPS

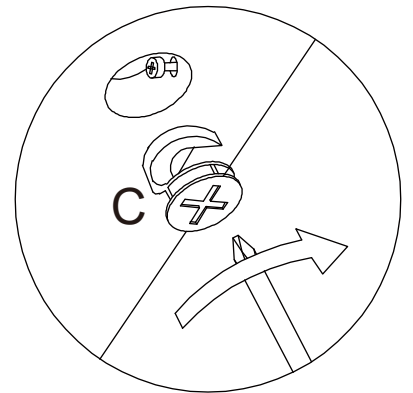
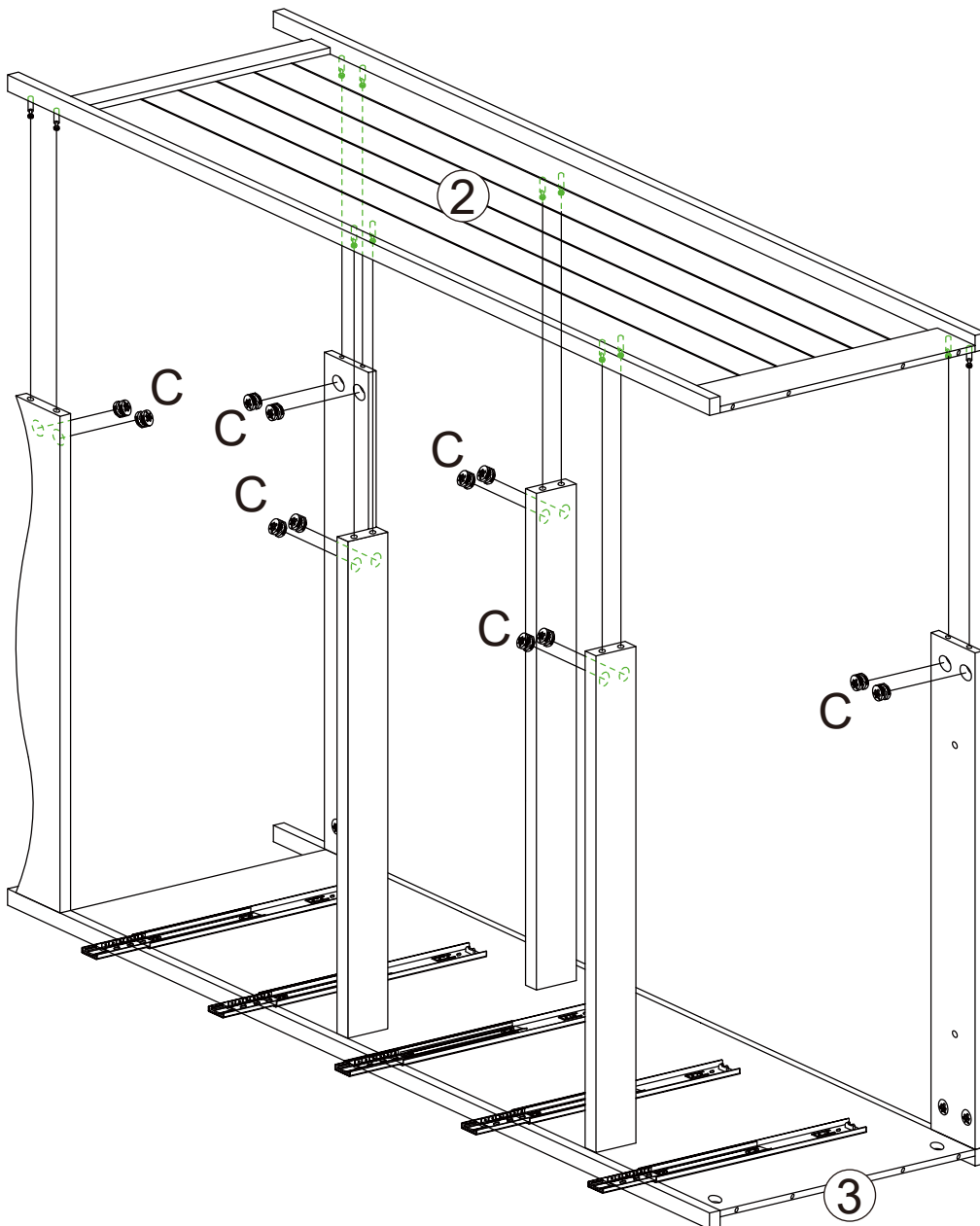
C



Cam Lock x 12

STEP 6

Connect Panel #2 to the frame and fix them with Cam Lock(C)



ASSEMBLY STEPS

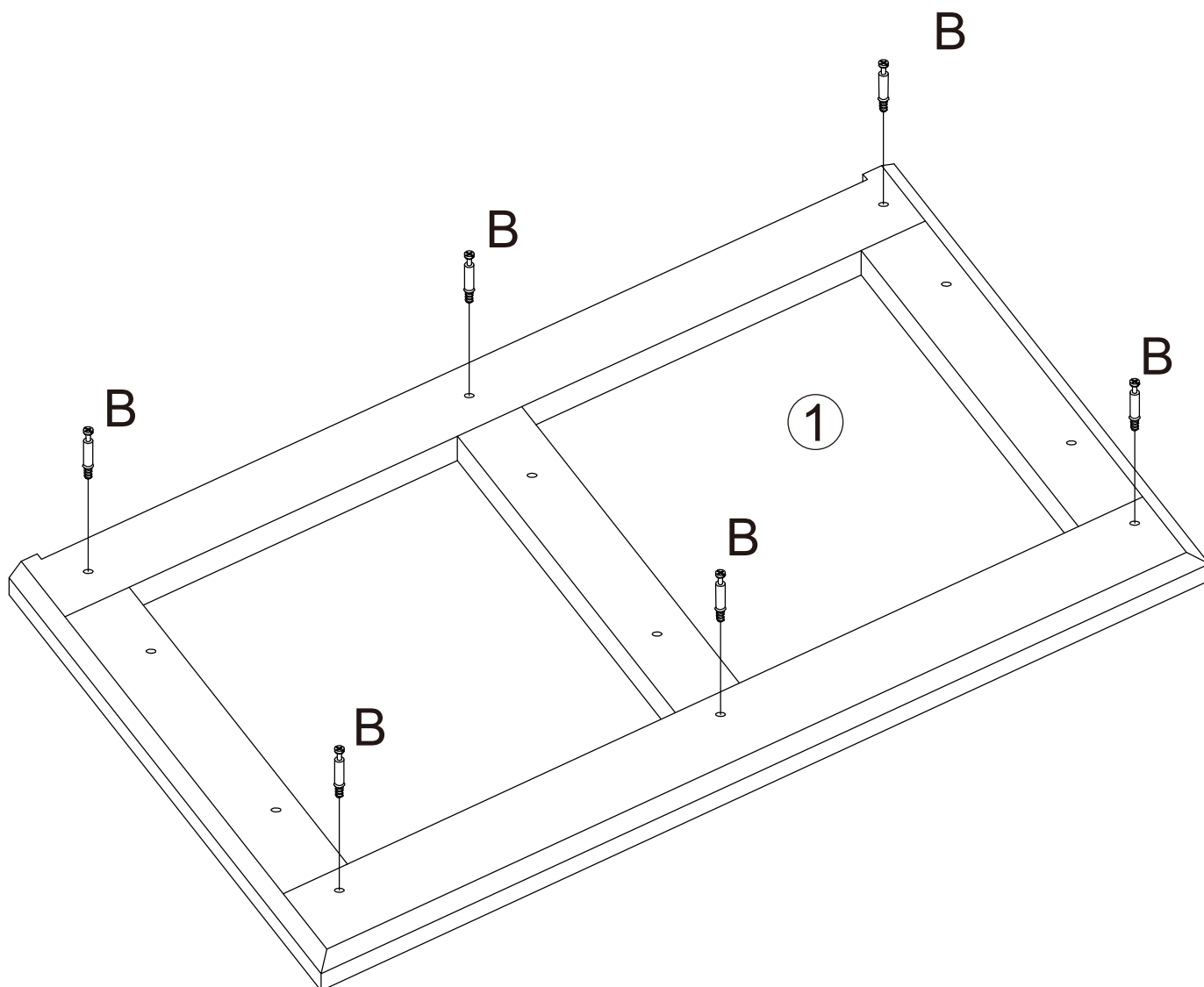
B



Cam Bolt x6

STEP 7

Screw Cam Bolt(B) to Panel #1



ASSEMBLY STEPS

A



Wood Dowel x2

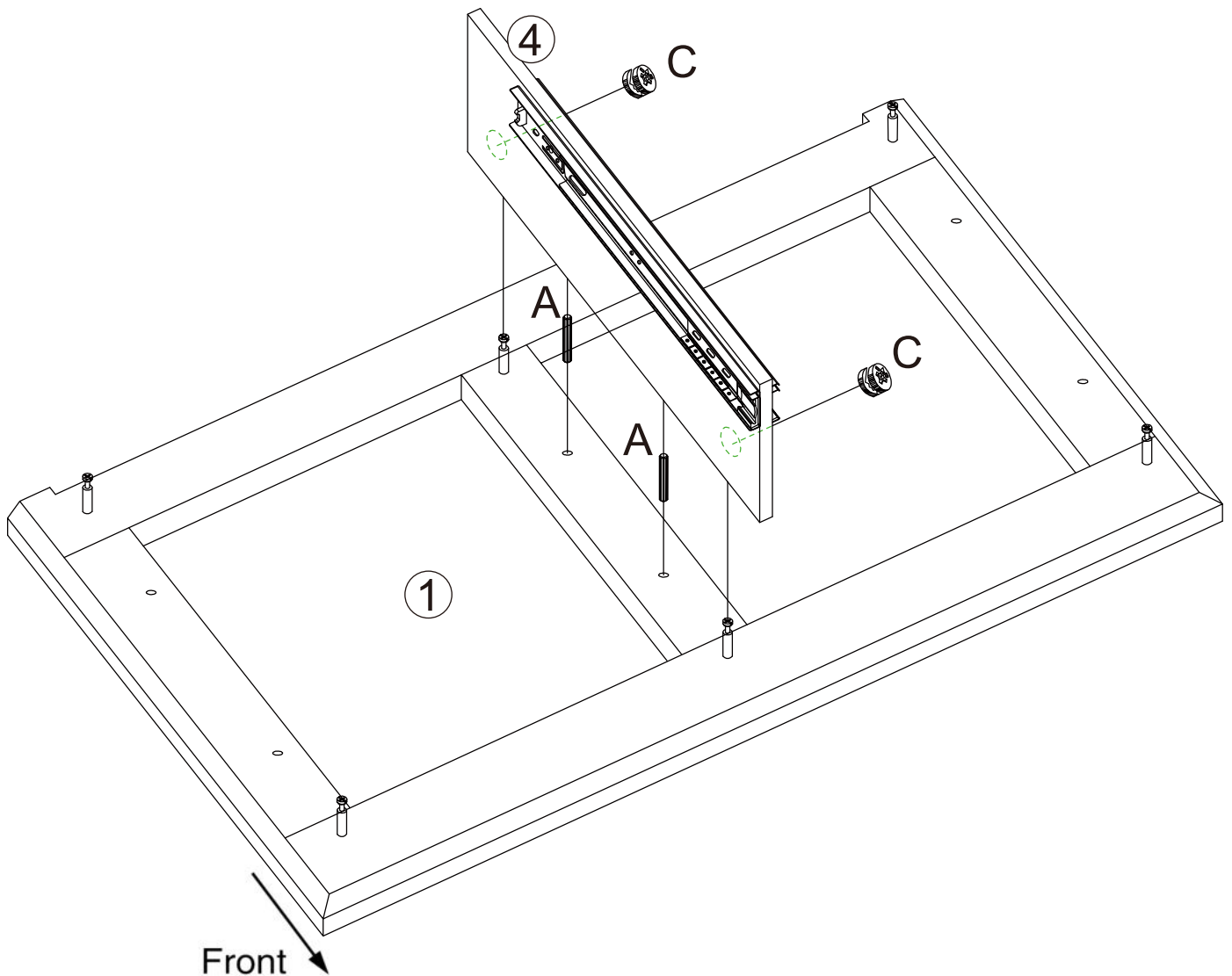
C



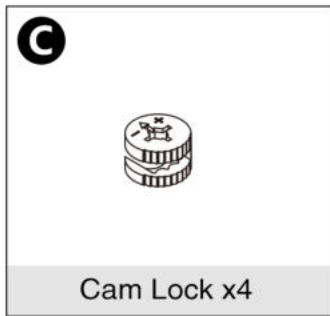
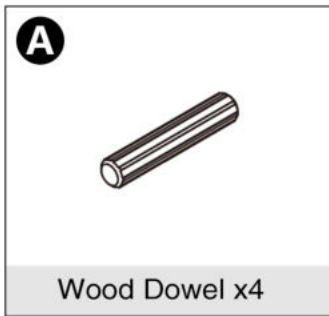
Cam Lock x2

STEP 8

Insert Wood Dowel(A) into Panel #1 and fix Panel #4 to Panel #1 with Cam Lock(C)

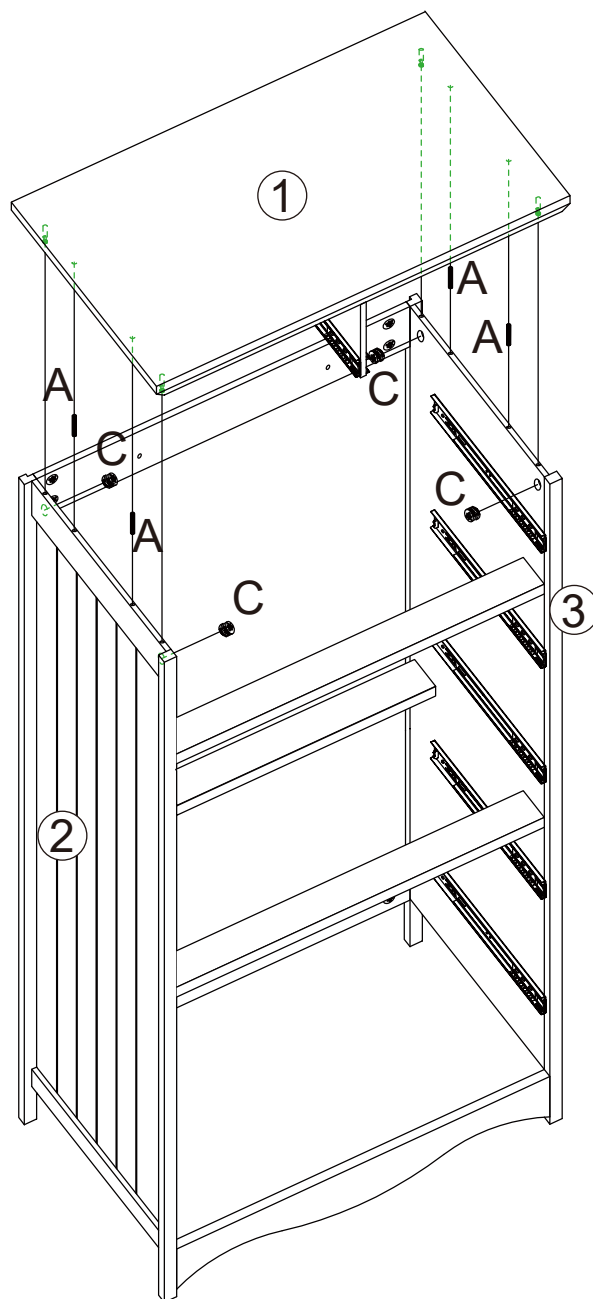


ASSEMBLY STEPS



STEP 9

Insert Wood Dowel(A) into the top holes of Panel #2 #3 and then connect Panel #1 to the frame and fix them with Cam Lock(C)



ASSEMBLY STEPS

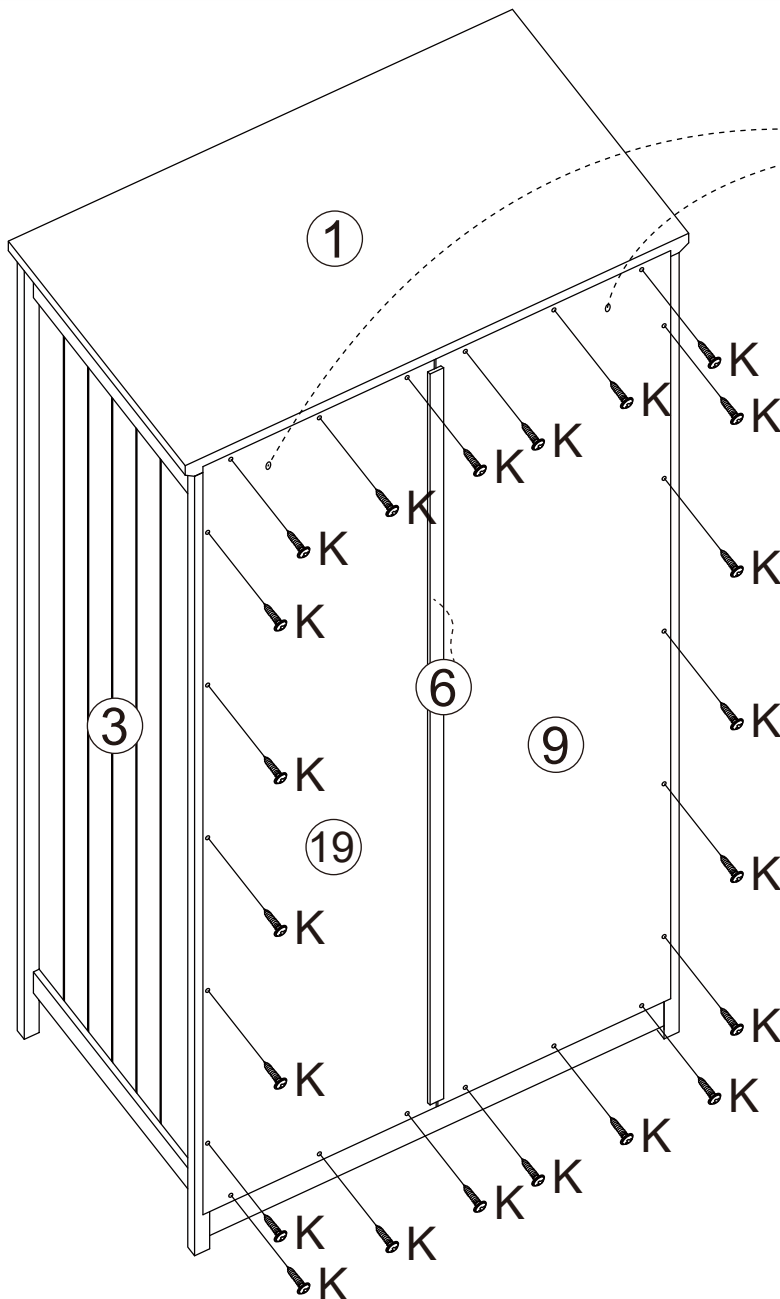
K



2x10mm
Screw x 22

STEP 10

Fix the back panels with Screw(K)



Pre-drilled
holes for
anti-tipping
device

ASSEMBLY STEPS

I



Expansion Screw x2

J

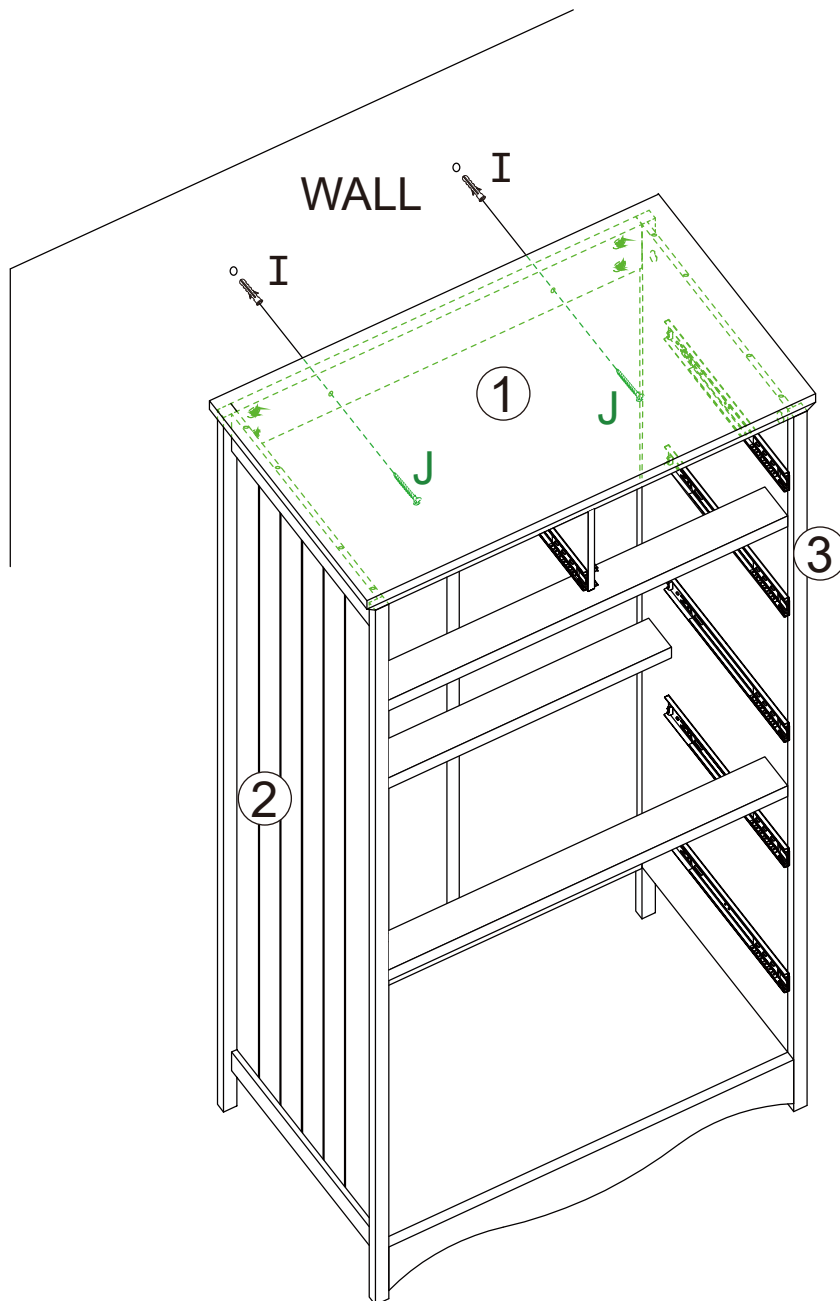


4x50mm

Screw x2

STEP 11

Drill holes in the wall, insert Expansion Screw(I), and fix the item to the wall with Screw(J) as needed



ASSEMBLY STEPS

G



Drawer Slide x12

H



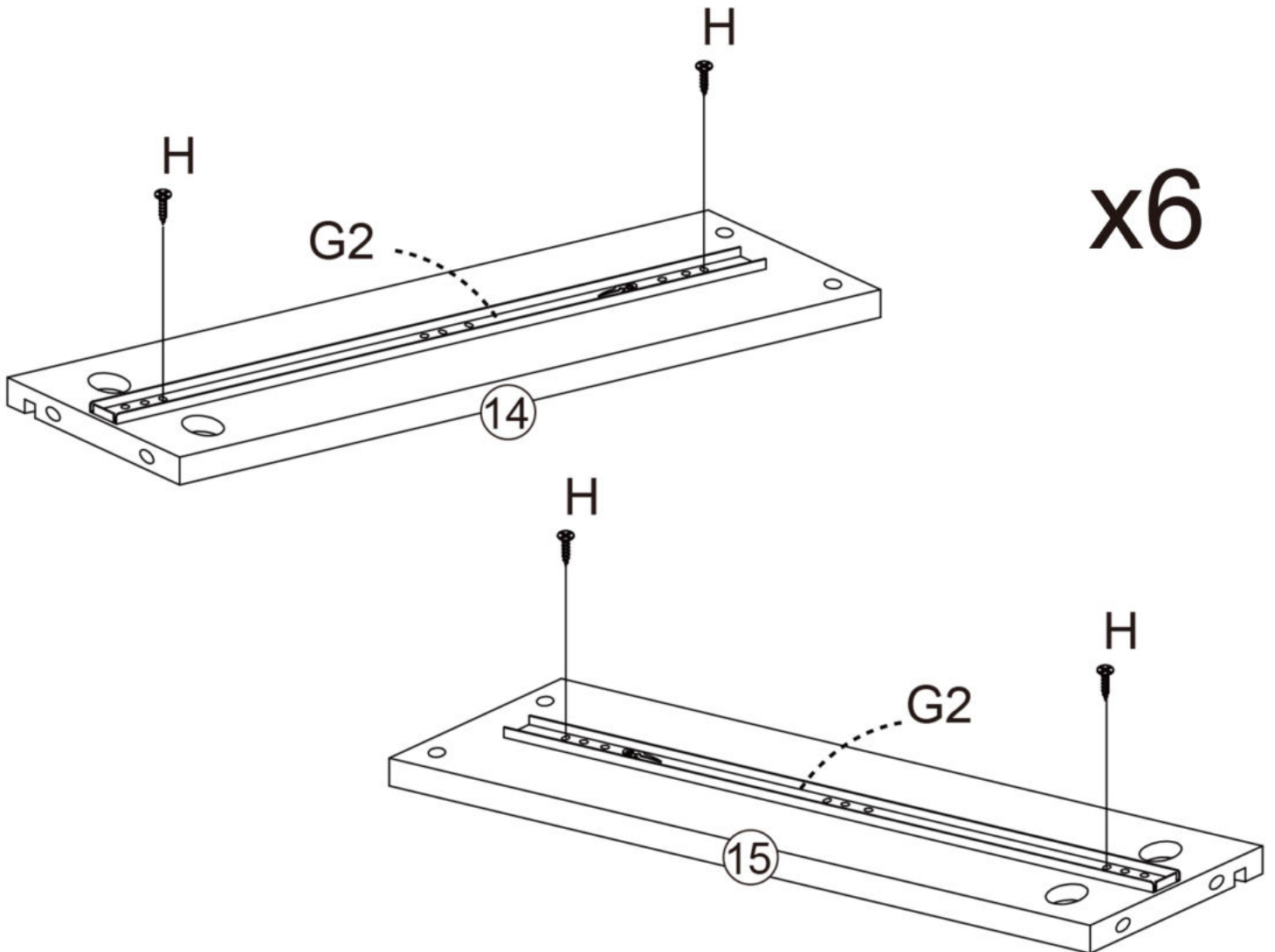
3x12mm

Screw x24

STEP 12

Time to assemble the drawer!

Attach Drawer Slide(G2) to Panel #14 #15 with Screw(H)



ASSEMBLY STEPS

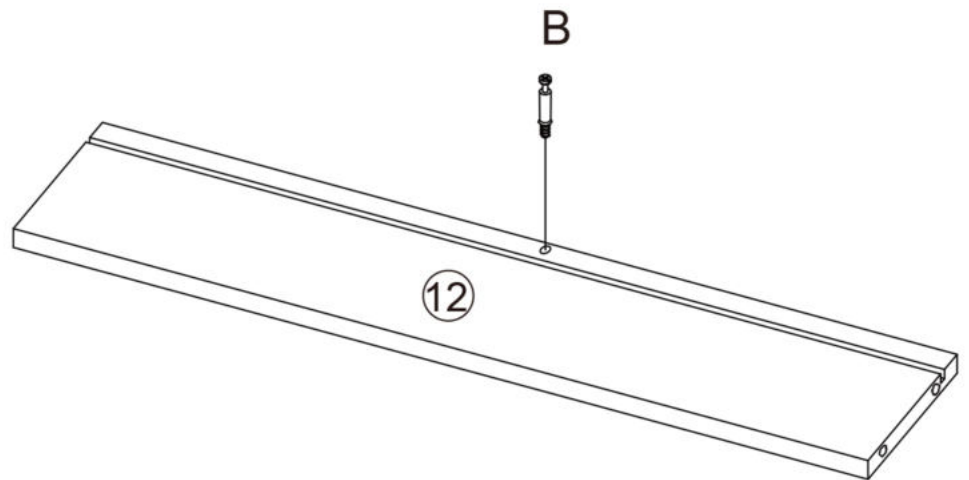
B



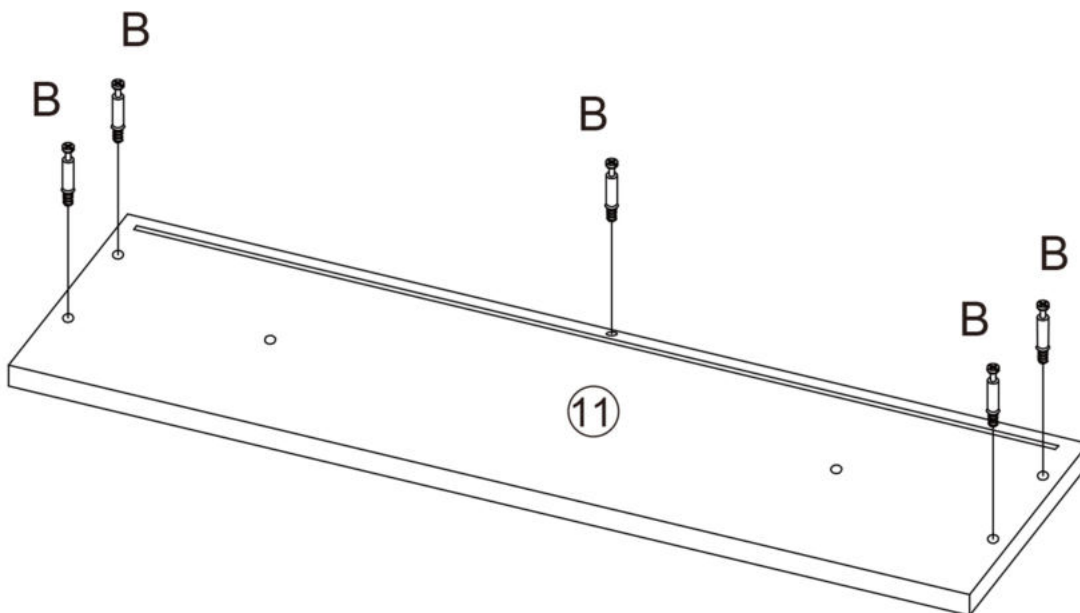
Cam Bolt x24

STEP 13

Screw Cam Bolt(B) to Panel #11 #12




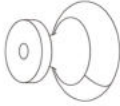



x4



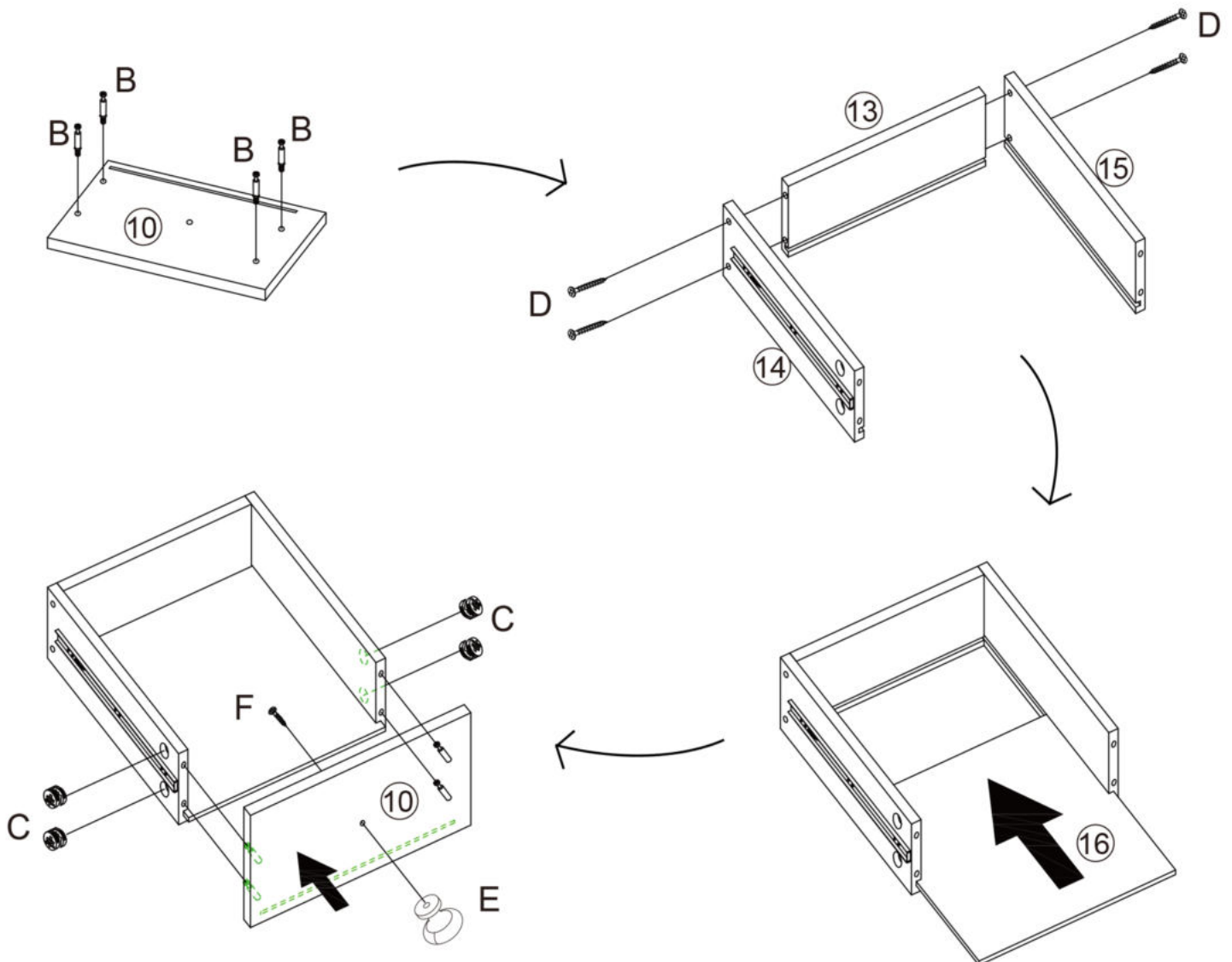
x4

ASSEMBLY STEPS




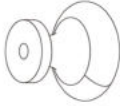

B  Cam Bolt x4	C  Cam Lock x4	D  4x30mm Screw x4	E  Handle x1	F  3x25mm Screw x1
--	--	---	--	---

STEP 14

Screw Cam Bolt(B) to Panel #10, and then assemble the small left drawer according to the schematic diagrams in turn, and fix the Handle(E) to Panel #10 with Screw(F)

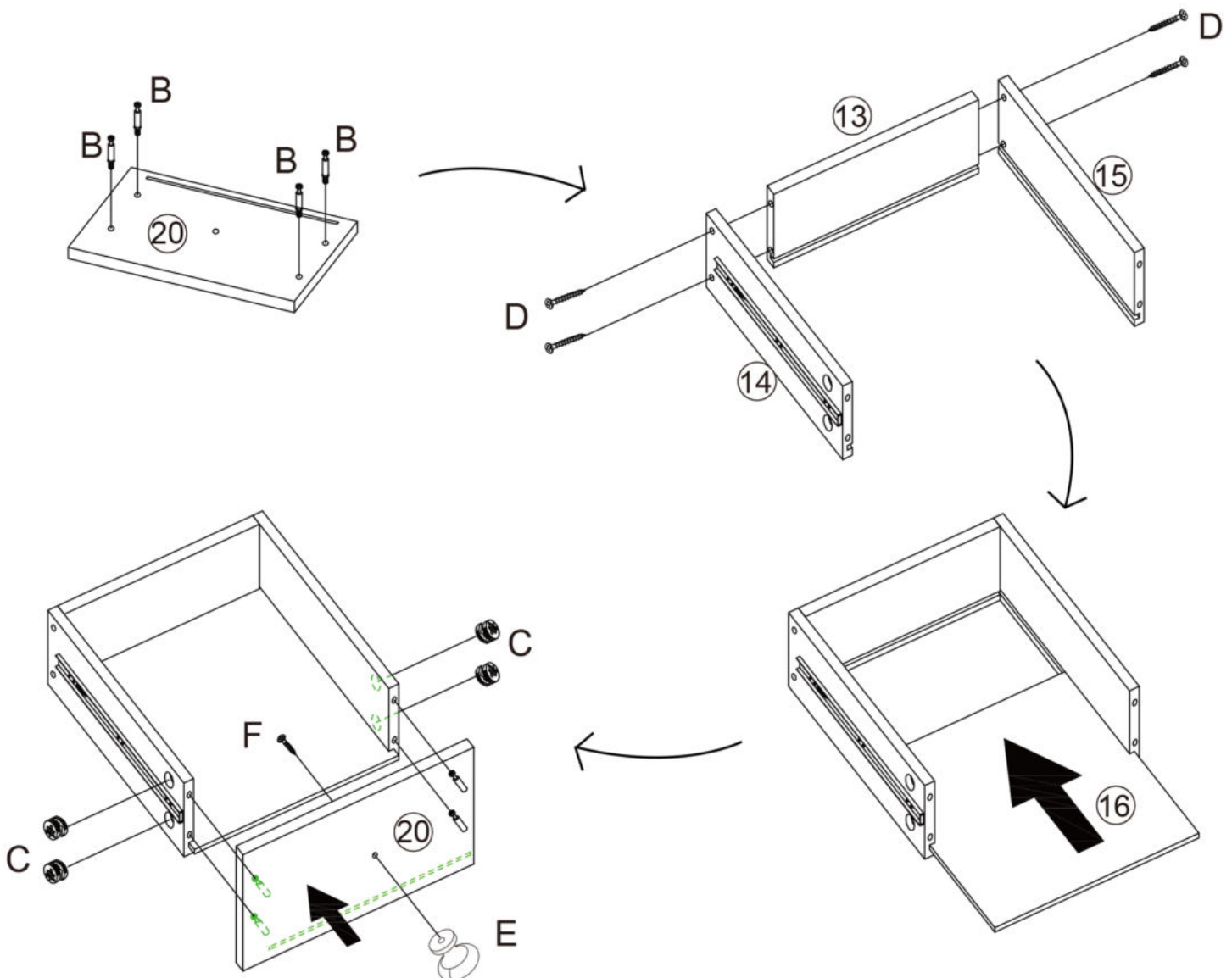


ASSEMBLY STEPS

B  Cam Bolt x4	C  Cam Lock x4	D  4x30mm Screw x4	E  Handle x1	F  3x25mm Screw x1
--	--	---	--	---

STEP 15

Screw Cam Bolt(B) to Panel #20, and then assemble the small right drawer as the same way to small left drawer assembly



ASSEMBLY STEPS

C



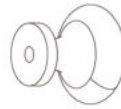
Cam Lock x24

D



4x30mm
Screw x16

E



Handle x8

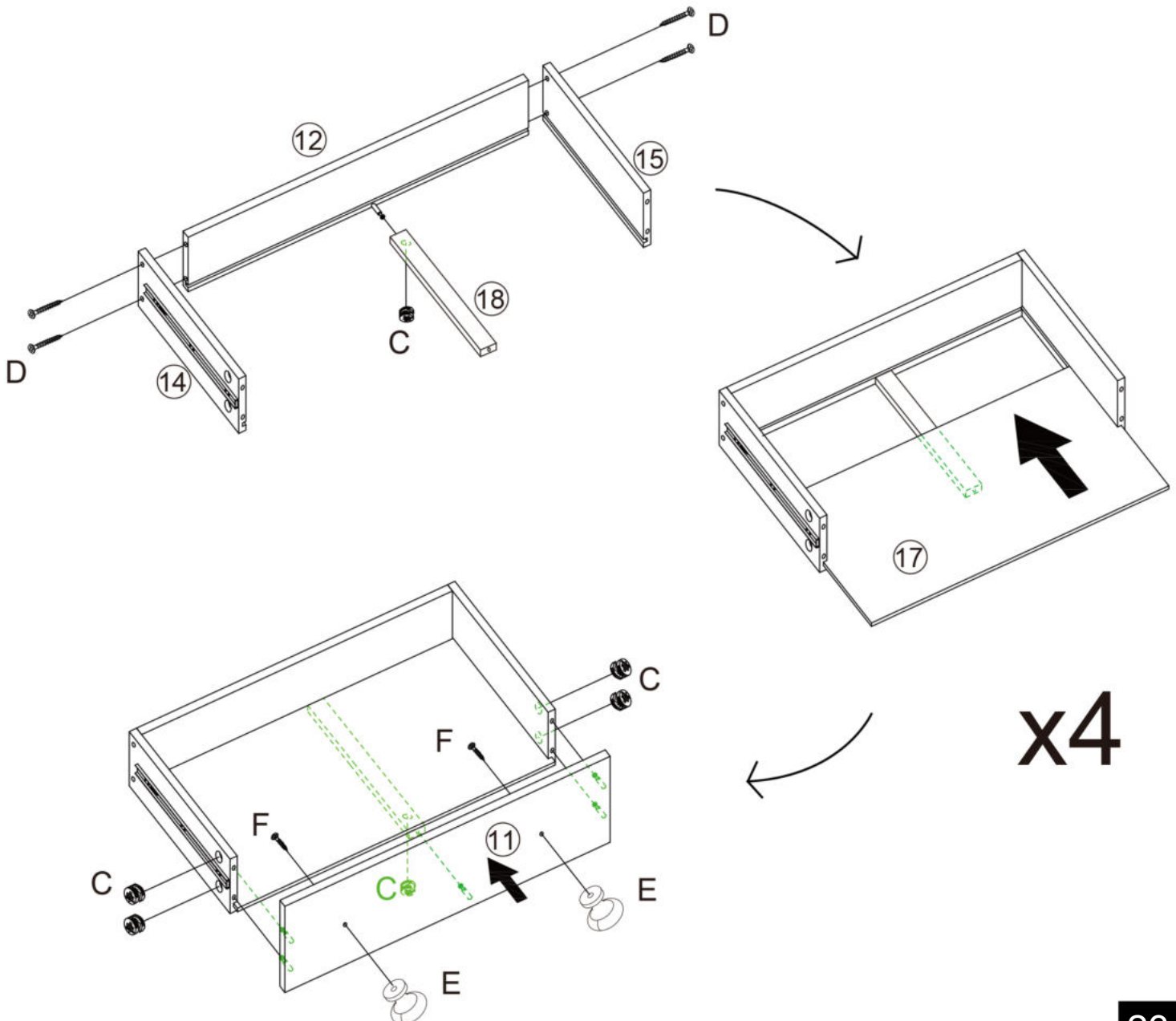
F



3x25mm
Screw x8

STEP 16

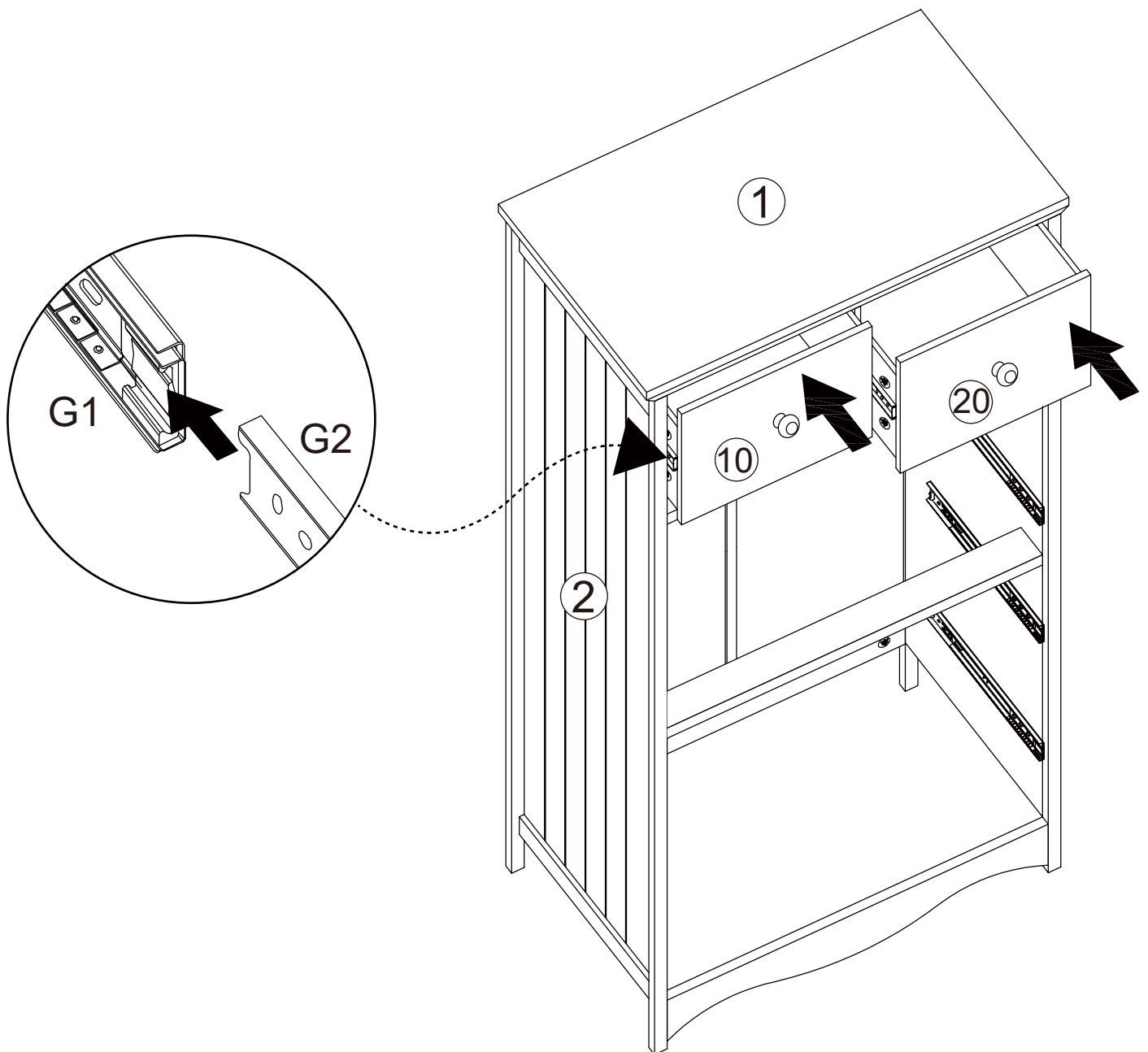
Assemble the big drawers according to the schematic diagrams in turn, and fix the Handle(E) to Panel #11 with Screw(F)



ASSEMBLY STEPS

STEP 17

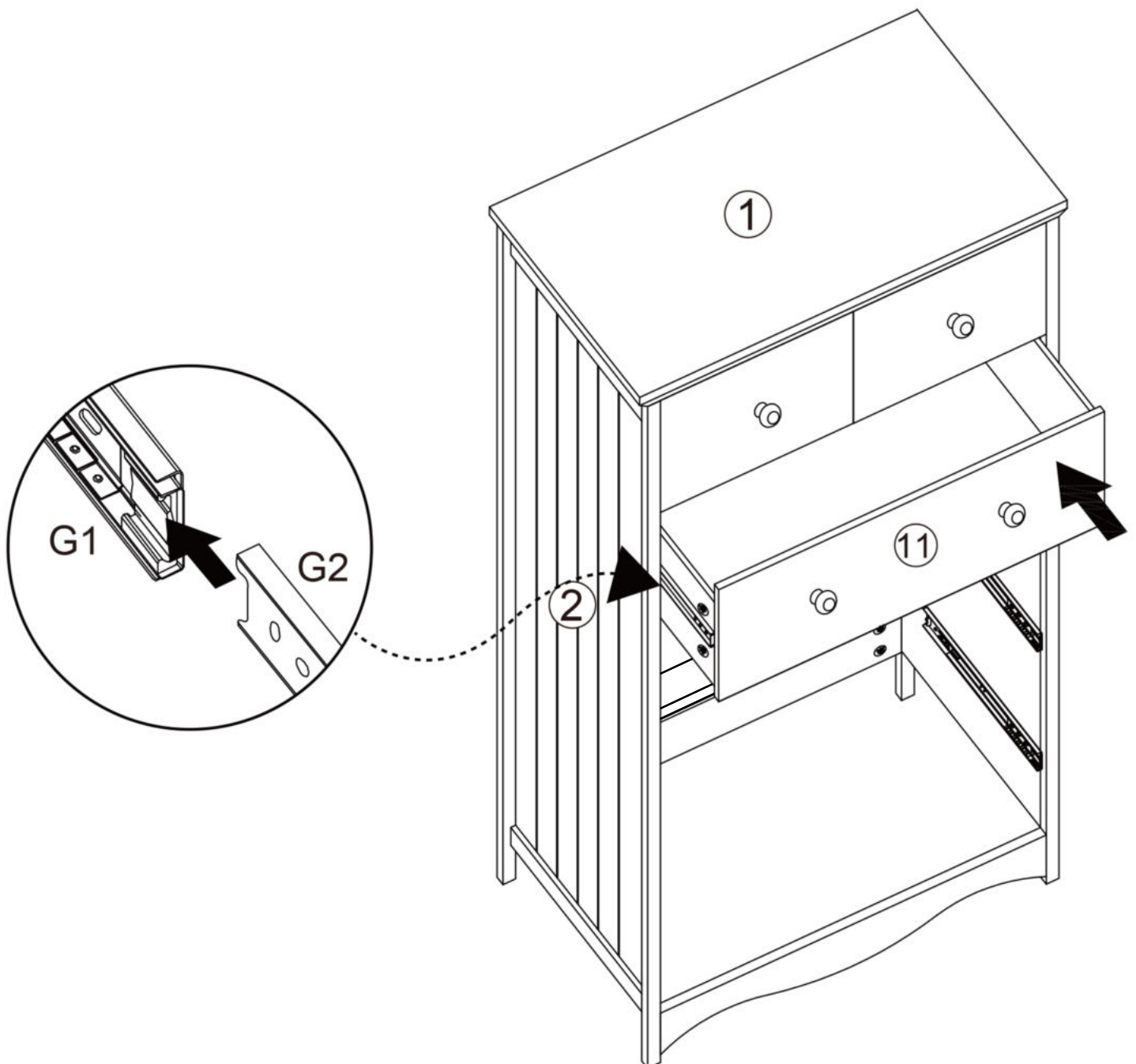
Pull Drawer Slide(G1) out first, and the ball along with it to the front
Keep the drawer level and insert the drawer with the slides aligned
Note! Failure to level may result in damage to the slides



ASSEMBLY STEPS

STEP 18

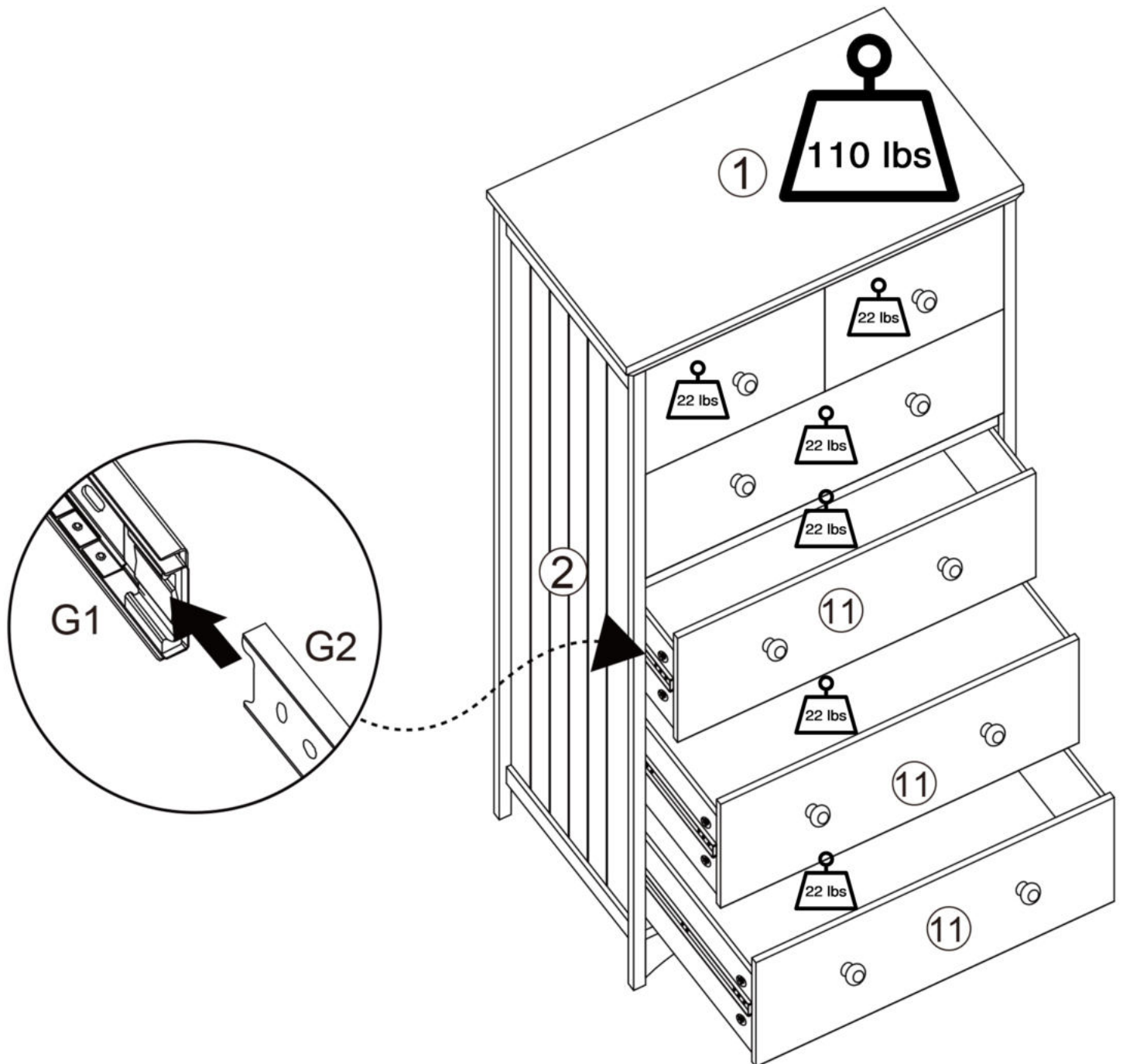
Pull Drawer Slide(G1) out first, and the ball along with it to the front
Keep the drawer level and insert the drawer with the slides aligned
Note! Failure to level may result in damage to the slides



ASSEMBLY STEPS

STEP 19

Insert the last 3 big drawers as the same way to Step 19



FAQs

1. What should I do when I received a defected item?

Please feel free to contact VINGLI customer service via the link where you purchased this item with your order ID, picture of defective part to us. We are eager to help you to make it right

2. What should I do if the panel I received has cracks?

The cracks may be caused by the panel being too dry, you can use some wood chips and glue to fill the cracks and sand it smooth, it will not affect the use

3. Why are my drawers not aligned?

The problem lies in the assembly of the slides. Please follow the steps 1-4 and 12 on the instruction. Pay more attention to align the holes on the slides with the holes on the panel

4. How to insert the drawers?

Back to step 17-19, please make sure the inner slides on the drawer are attached correctly with the outer slides, then push the drawer into the cabinet. If the slides doesn't run smoothly, please check if the slides and panels are installed correctly

5. What should I do if I forget to anchor the item to the wall until I've inserted the drawers?

Never mind, just do what you did when you split the slides in two, pinch the small tongues on both sides of the drawer in the direction indicated by the arrows to take out the drawer and then anchor the item to the wall through the inside of the cabinet

6. Can I paint after it's all assembled?

Sure! But we recommend that you do it before assembly to ensure that every corner is covered

Supplementary Instructions for Safe Use

English

WARNING



Children have died from furniture tipover. To reduce the risk of furniture tipover:

- ALWAYS install tipover restraint provided.
- NEVER put a TV on this product.
- NEVER allow children to stand, climb or hang on drawers, doors, or shelves.
- NEVER open more than one drawer at a time.
- Place heaviest items in the lowest drawers.
- Do not defeat or remove the drawer interlock system.

This is a permanent label.

Do not remove!

French

ATTENTION



Des enfants sont morts du basculement des meubles. Pour réduire le risque de basculement des meubles:

- TOUJOURS installer la retenue de basculement fournie.
- NE JAMAIS mettre de téléviseur sur ce produit.
- NE JAMAIS permettre aux enfants de se tenir debout, de grimper, ou de s'accrocher à des tiroirs, des portes ou des étagères.
- N'ouvrez JAMAIS plus d'un tiroir à la fois.
- Placez les objets les plus lourds dans les tiroirs les plus bas.
- Ne désactivez pas et ne retirez pas le système de verrouillage du tiroir.

Ceci est une étiquette permanente.

Ne pas enlever!

German

WARNUNG



Kinder sind an einem Möbelkipp gestorben. So verringern Sie das Risiko eines Umkippen von Möbeln:

- Installieren Sie **IMMER** die mitgelieferte Kipprückhaltevorrichtung.
- Stellen Sie **NIEMALS** einen Fernseher an dieses Produkt.
- Lassen Sie Kinder **NIEMALS** an Schubladen, Türen oder Regalen stehen klettern oder hängen.
- Öffnen Sie **NIEMALS** mehr als eine Schublade gleichzeitig.
- Legen Sie schwerste Gegenstände in die untersten Schubladen.
- Besiegen oder entfernen Sie das Schubladenverriegelungssystem nicht.

Dies ist ein dauerhaftes Etikett.

Nicht entfernen!