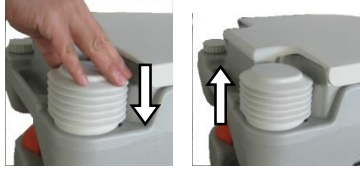


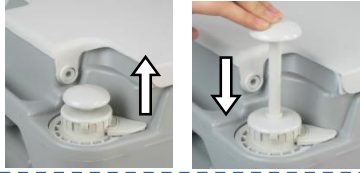
# PORTABLE TOILET INSTRUCTION

## PARTS

Bellows pump :  
**CHH Classic T Series**



Injection piston pump :  
**CHH Classic PT & XT Series**

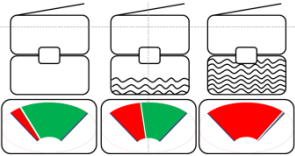


Injection piston pump & electric  
pump : **CHH XTe Series**



Input: 12V 3A  
DC plug: 5.5\*2.1mm

Level indicator



Green = Empty Red = Full

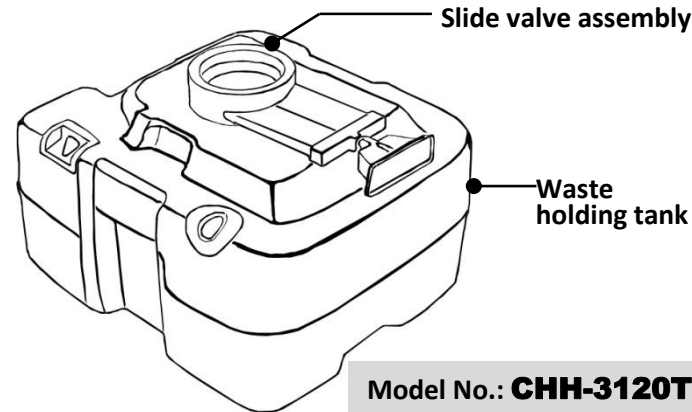
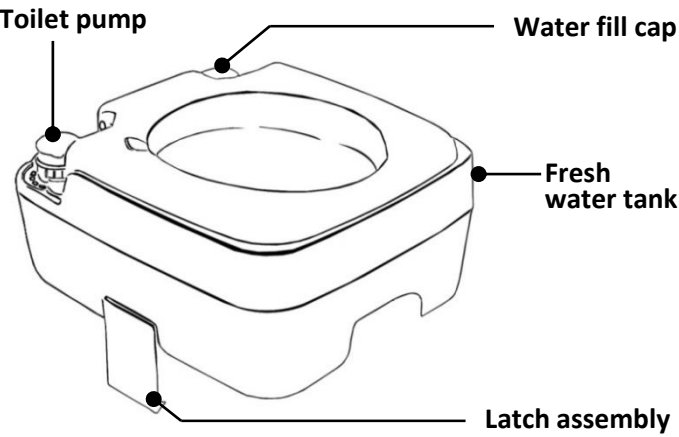
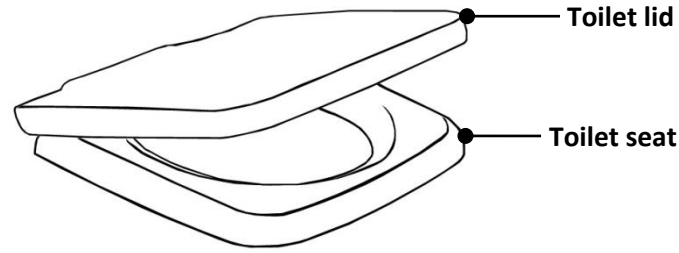
Waste holding tank of T & PT series



Waste holding tank of XT & XTe series



Item No.	CHH Classic & Classic T Series					CHH Classic PT Series					CHH XT Series				CHH XTe Series			
	1010T 1020T	1110T	1120T	1215T 1220T	1315T 1320T	3010T 3020T	3110T	3120T	3215T 3220T	3315T 3320T	4412T 4421T	4521T	4722T	4822T	4412Te 4421Te	4521Te	4722Te	4822Te
Bellows pump	•	•	•	•	•													
Piston pump						•	•	•	•	•	•	•	•	•	•	•	•	•
Electric pump															•	•	•	•
Level indicator			•		•			•		•		•		•		•		•
Exhaust valve		•	•	•	•		•	•	•	•	•	•	•	•	•	•	•	•
Emptying spout				•	•				•	•			•	•			•	•



Model No.: **CHH-3120T**  
for demonstration only



Fresh water tank of T & PT series



Fresh water tank of XT series

Exhaust valve



Press the valve to prevent spill before use or to prevent splash when emptying



### Caution




Always place the water tank on a smooth horizontal ground .It is normal if some clean water coming out from the nozzle.


### Maintenance and Storage

1. Clean the tanks for long time storage.
2. Lubricate slide valve periodically with lubrication( Vaseline suggested).
3. Relax the waste holding tank cap for long time storage.
4. Avoid strong sunlight and high temperature.

### Sani-pak CHH chemical powder for portable toilet.



Clean, safe and easy to use, Sani-pak provides the ultimate in performance and reliability. Because each sachet contains an exact dose of concentrated powder, no measuring is required. As the sachet comes in contact with water, it quickly dissolves, killing the bacteria and eliminating odours whilst imparting a pleasant fragrance.




### Accessories

 <p>Foldable armrest bracket</p>	<p>For XT &amp; XTe series</p>  <p>Holder</p>  <p>Cube-bag</p>				
 <p>Oxford toilet carry bag</p>	 <p>Toilet sprayer</p>	 <p>Pop up tent</p>	 <p>E-pot</p>		
 <p>Submersible pump</p>	 <p>Battery box</p>	 <p>Charging plug</p>	 <p>Cassette toilet</p>	 <p>Gravity flush toilet</p>	 <p>Water tank</p>

**Note !** 1. The submersible pump of XTe series portable toilet can be replaced by yourself.  
2. 8 pieces battery (AA 1.5V) are necessary for the battery box.