
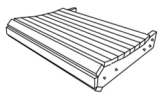


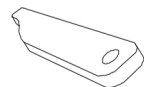
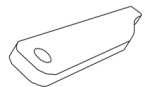







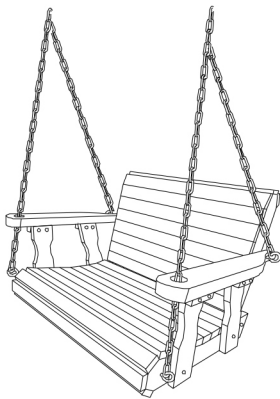
VINGLI Single Porch Swing Instructions

Note: Don't tighten all the screws until the last step. That will simplify your assembly.

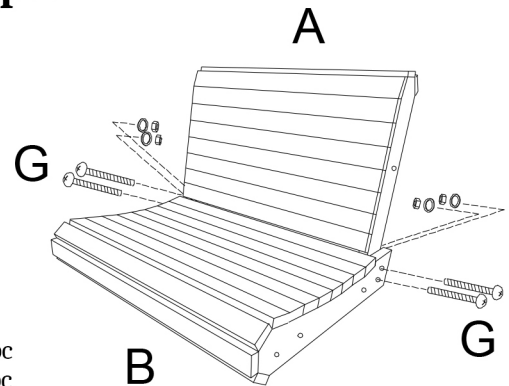
Parts List

					
A [1 pc]	B [1 pc]	C [2 pcs]	D [2 pcs]	E [1 pc]	F [1 pc]
					
G [16 sets]	H [4 sets]	I [6 pcs]	J [2 pcs]	Assembly Tools Needed	

Whole View

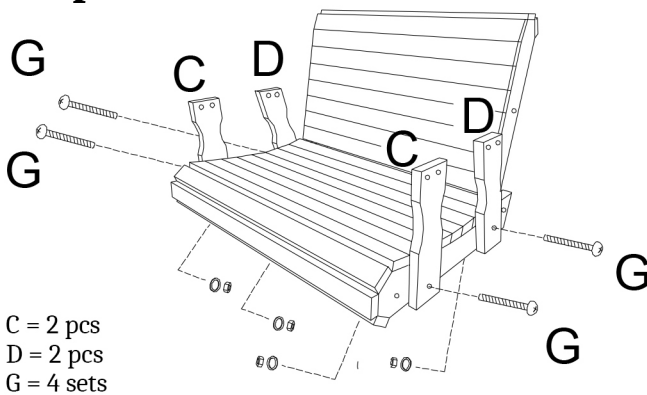


Step 1



A = 1 pc
B = 1 pc
G = 4 sets

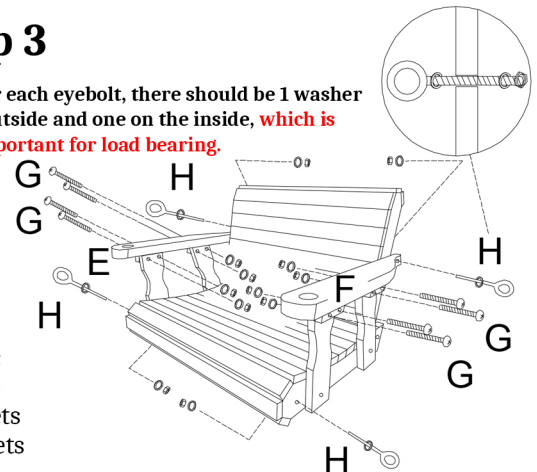
Step 2



C = 2 pcs
D = 2 pcs
G = 4 sets

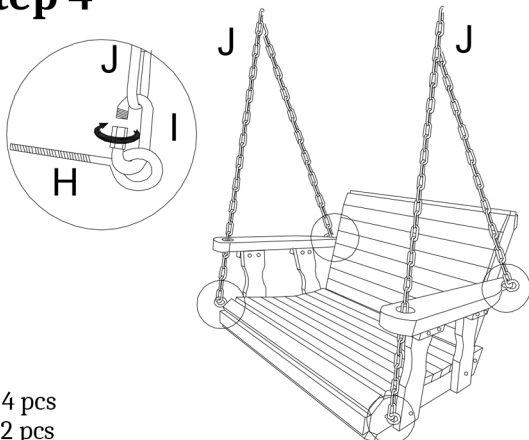
Step 3

Note: For each eyebolt, there should be 1 washer on the outside and one on the inside, which is quite important for load bearing.



E = 1 pc
F = 1 pc
G = 8 sets
H = 4 sets

Step 4



I = 4 pcs
J = 2 pcs

Return Policy

1. If the packaging or products are damaged severely, don't waste time submitting the return request. Please contact our customer service first! we will provide timely reply and solutions for you!
2. For other quality or non-quality problems, just feel free to contact us and we will also provide timely reply.
3. For returns with any non-quality reasons, such as "no longer needed, bought by mistake" and so on, we may charge you some shipping fee when receiving the returned items.