

## General Information

VINGLI Solar Heater features an innovative dome design that provides better heat transfer than traditional solar systems, and also eliminates the need to set aside yard space for conventional solar panels.

With the hose connectors provided, VINGLI Solar Heater fits filtration systems which require either Ø32mm (1 1/4in) / 38mm (1 1/2in) soft hose connection or Ø57mm (2 1/4in) threaded nut hose connection.

## How It Works

VINGLI Solar Heater should be installed between the pump / filter and return inlet of the pool. Cold water flows from the pool water outlet to the pump/filter and through the solar heater. Water is heated while flowing through the heater coils, and then back to the return inlet of the pool.

### **Points to Note:**

#### **1) Installation**

Before installation, make sure you have filled your above-ground pool with water and it is connected with necessary filtration hoses which are connected with the filter and pump.

The solar heater will become very heavy after filling with water. Select a proper site for the solar heater before installation. The solar heater should be installed, lower than the pool water level, on a completely level, very firm ground or equivalent. The solar heater should face in a SOUTHERLY direction and its stand should be released for an optimal solar angle.

**WARNING:** Turn off the pump before installation and disconnecting the solar heater from your filtration system.

**WARNING:** Never place the solar heater close to any pool chemicals as chemical fumes and/or spills can cause severe corrosive attack.

**CAUTION :** The solar heater must be positioned so as to prevent it being used as means of access to the pool by young children.

**CAUTION :** Never stand or sit or put any object on the main base and dome cover.

#### **2) Solar heater operating pressure**

Make sure that the solar heater operating pressure must not exceed 1.5bar (21psi). It is recommended to have a pressure gage installed before the solar heater after the pump/filter to monitor the water pressure going inside the solar heater.



## The Instruction of Pool Solar Heater



**Warm Tips:**Please read and follow all warning notices and instructions accompanying this product before installing this product in case result in injury, death, or property damage.

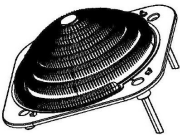
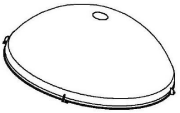
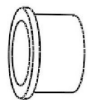

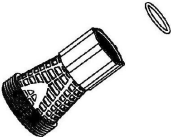
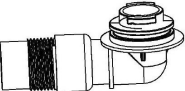




### 3) Linking additional solar heaters

Never install additional solar heaters when filtration/pump is under operation. Always turn off the pump before heater installation or disconnection.

## VINGLI Solar Heater Installation

Before installing VINGLI Solar heater, check to make sure all parts are present in the package.

### Primary Component

<p><b>1 x Main base with 2 stand</b></p>  <p><b>1</b></p>	<p><b>1 x Heater Dome Cover</b></p>  <p><b>2</b></p>	<p><b>2 x Hose reducer</b> Ø32mm(1 1/4in)–Ø38mm(1 1/2in)</p>  <p><b>3</b></p>	
<p><b>1 x Flat gasket</b> (for connection of Threaded Nut Hose connector to Threaded Nut hose.)</p>  <p><b>4</b></p>	<p><b>1 x Threaded nut hose connector</b> (preinstalled with O ring inside)</p>  <p><b>5</b></p>	<p><b>2 x 32mm (1 1/4in) Hose connector</b> (preinstalled on the water outlet/inlet under the main base)</p>  <p><b>6</b></p>	
<p><b>1 x Long hose</b> (Ø38mm / 1 1/2in) (for connection to filter/pump)</p>  <p><b>7</b></p>	<p><b>1 x Short hose</b> (Ø38mm / 1 1/2in) (for connection to another heater)</p>  <p><b>8</b></p>	<p><b>2 x Hose clamp</b></p>  <p><b>9</b></p>	<p><b>2 x Water proof tape</b></p>  <p><b>10</b></p>

## SAFETY WARNINGS & INSTRUCTIONS

Please read and follow all instructions in this manual and on the equipment in case result in severe or fatal injury.

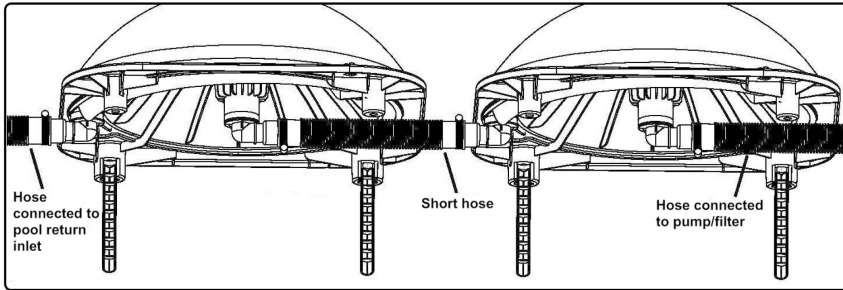
### WARNING:

1. This heater is not intended for use by the persons (including children) who with reduced physical, sensory or mental capabilities, or lack of experience and knowledge, unless they have been given supervision or instruction concerning use of the heater by a person responsible for their safety.
  2. Solar heater (particularly the panel) will be very hot after exposing to the sunshine for hours and water inside is not moving.
  3. Improper assembly of the equipment may cause severe injury.
  4. Hazardous Pressure. To avoid explosion and possible severe or severe or fatal injury, the solar heater operating pressure must not exceed 1.5bar (21 psi)
  5. Remove any pool return inlet water features like water fountain, water fall and spa etc which possibly reduce the flow rate and then create the pressure inside the solar heater which may damage the unit.
  6. Pool pump or filtration flow rate should not be higher than 10000 liters/hr (10 m<sup>3</sup>/hour).
  7. Turn off the pump before installation and disconnecting the solar heater from your filtration system.
  8. DO NOT put any weight on the solar heater.
  9. DO NOT jump, step or walk on the solar heater.
  10. Never place any pool chemicals close to the solar heater as chemical fumes and/or spills can cause severe corrosive attack to its panel and accessories.
  11. DO NOT apply any petroleum based lubricant which may damage the product.
  12. If using chlorinator, make sure it is placed after the solar heater. Otherwise, chlorine may damage the unit.
- Above warnings and cautions are not intended to incorporate all possible instances for risks and / or severe injury. Pool owners should always exercise intensive caution and common sense when utilizing their pool and operating the equipment.

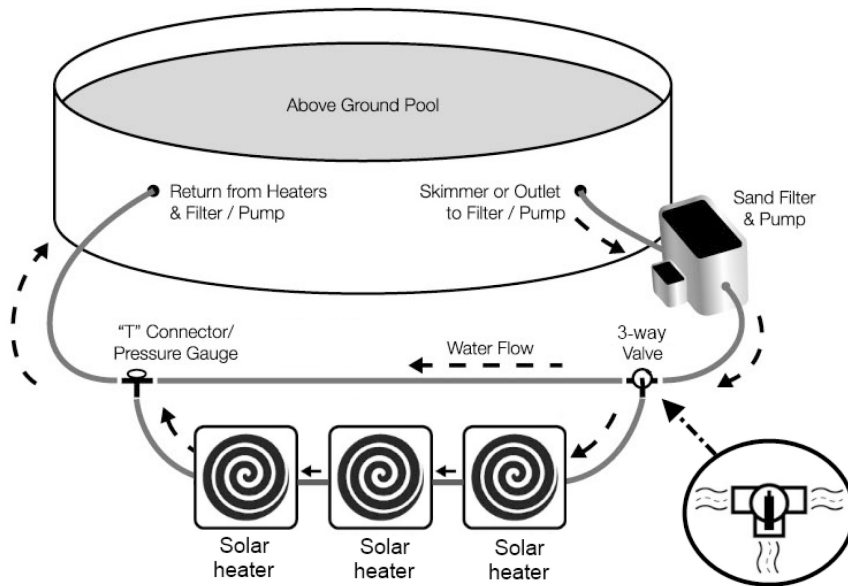
For multiple Solar Heaters

Tips : Depending on the weather conditions, 1 heater is recommended per 10,000 liters of pool volume.

It is recommend that you connect three or more pool heaters, the heating effect will be better



For connection of 3 or more heaters, it requires a 3-way valve (not included) and "T" connector (not included) to be installed. Below is an example of above ground pool with 3-way valve set up in place.



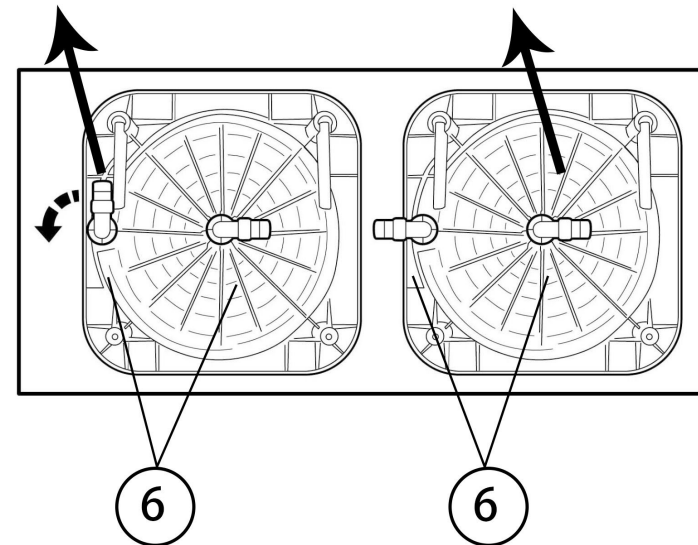
**ATTENTION:** Make sure to completely open the valve (3 holes) in operation.

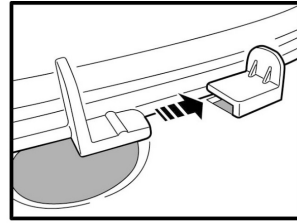
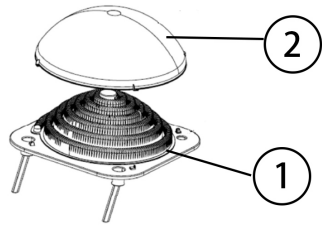
## #1.Hose Connectors on the Main Base

Before connecting to the hose, turn the side part ⑥ antidockwise as shown

To the pool return or additional solar Heater

To the pump/filter





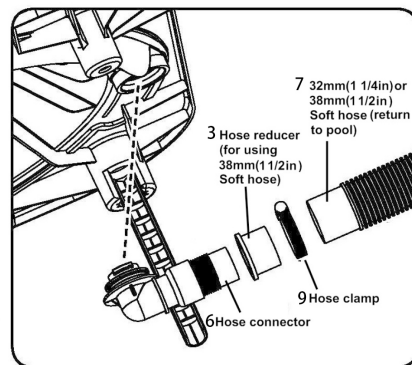
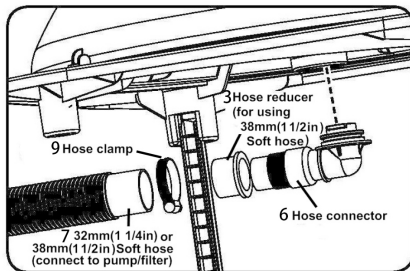
## #2. Connecting the Solar Heater to the pool

- 1) For soft hose of 32mm and 38mm
  - a) Detach the pool return hose from your pump/filter.
  - b) For soft hose of 32mm (1 1/4in), directly slide the hose to the hose connectors, Use the ⑦ to secure the ⑥
  - c) For soft hose of 38mm (1 1/2in), use either ③ provided or another soft hose in same diameter to connect the pump/filter and middle ⑥
  - d) Insert the ⑤ inside of cuff of ③ and slide it onto the ⑥
- ⑥ Use hose ⑦ to secure the hose.

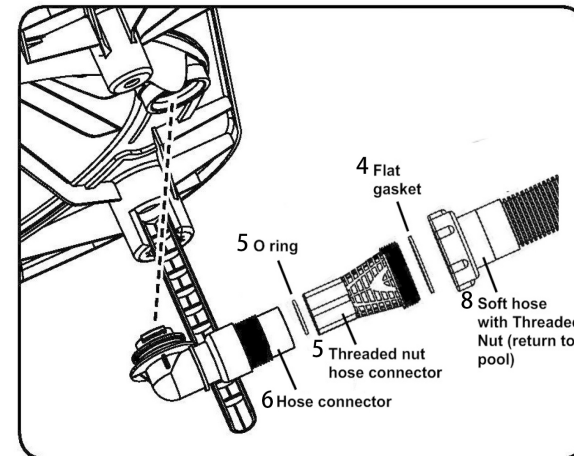
## #3. Assembling Dome Cover to Main Base

There are 4 tabs on ① and 4 slots on the solar heater base. Push the tab into the slot to secure the ① on the heater base.

**CAUTION:** Don't hold the dome cover to move the whole unit.



- 2) For hose connection of Dia. 57mm (2 1/4in) soft hose with Threaded Nut
    - a) Detach the pool return hose from your pump/filter.
    - b) Use soft hose of either 32mm (1 1/4in) or 38mm (1 1/2in) or to connect the to the pump/filter
- Make sure the hose is secured by the ⑦
- c) Screw the ⑧ to the side ⑥. Make sure ⑩ is inside the ⑧
  - d) Screw the threaded nut of the hose, which is connected to the pool return inlet, to the ⑧. Make sure the ⑨ is placed between ⑧ and hose threaded nut.
  - e) Insert the ⑤ inside of cuff of ③ and slide it onto the ⑥
- ⑥ Use hose ⑦ to secure the hose



**CAUTION:** Before connecting this solar heater to your pool, make sure your pool water outlet, return inlet are closed the pump had turned off.