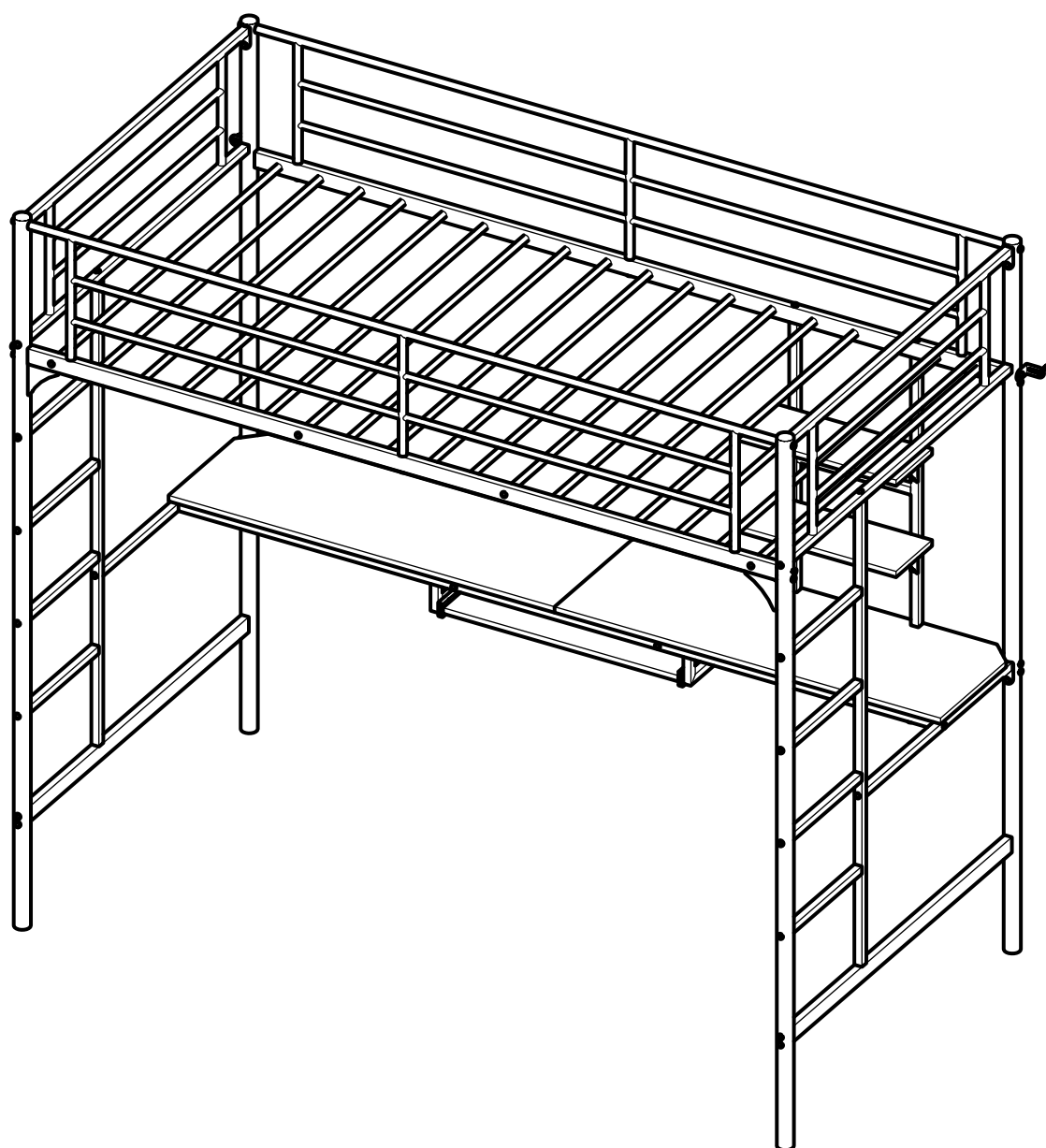


Loft Bed



Introduction

Guide of Manual

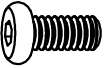






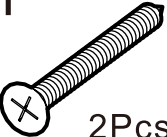


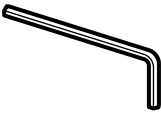
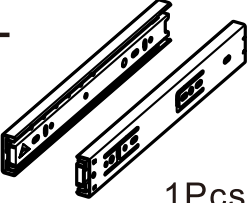
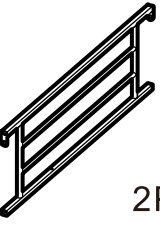
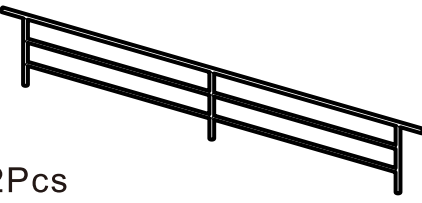
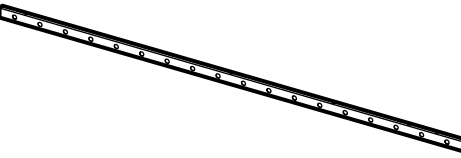
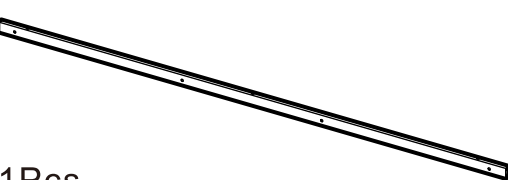
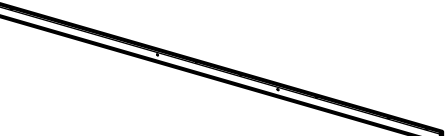
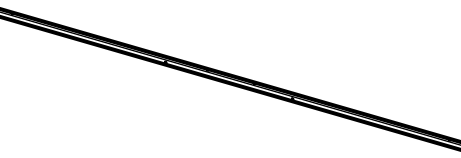
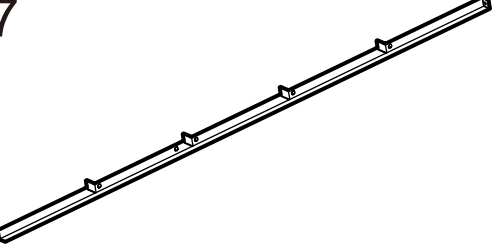
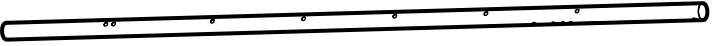
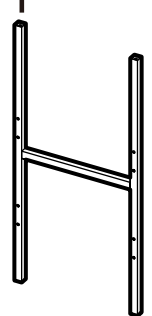
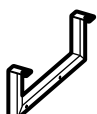
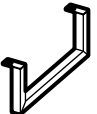
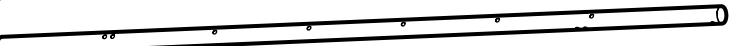



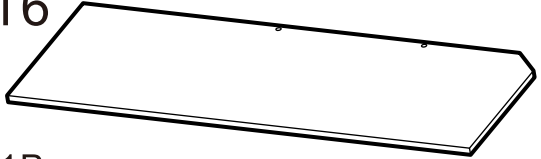
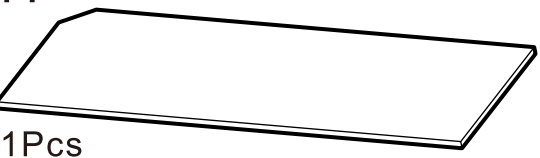

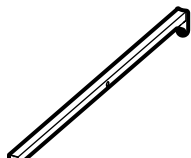



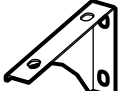



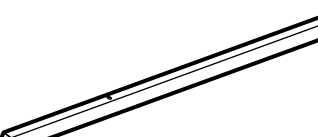
- Please read the following instruction carefully and use the product properly.
- Please keep this manual and hand it over when you transfer the product.
- Please contact us when further information and help needed.

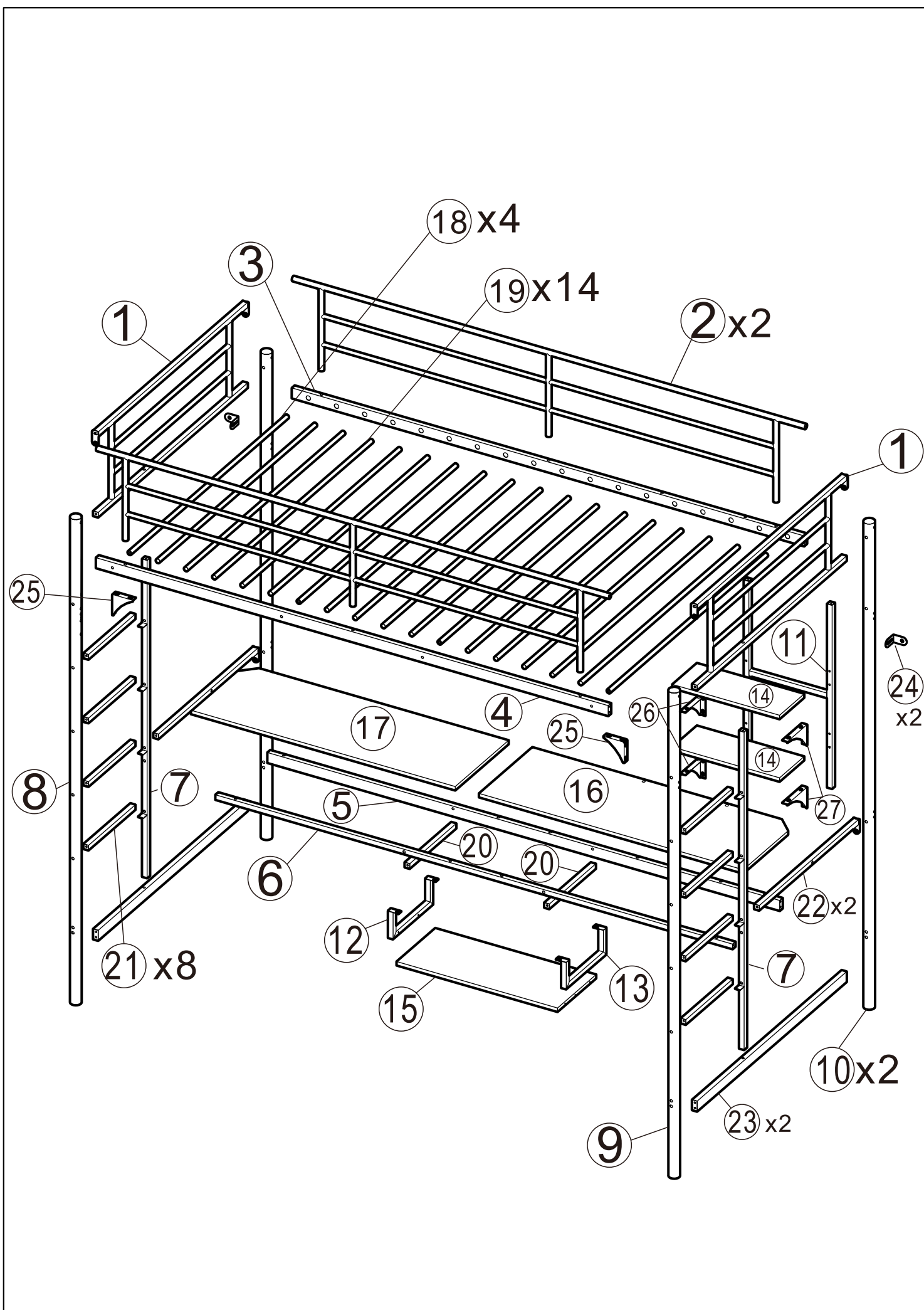
Notes

- Make sure to start on the correct instruction page for the bed configuration you are assembling.
- Unpack parts and hardware carefully to prevent scratching of lacquered components.
- Please assemble the product according to the steps on the diagram strictly.
- Do not fully tighten the screws until all pieces are situated in place.
- For continued use, it's suggested you regularly check the tightness of bolts and connections to ensure safety.
- Do not assemble and disassemble the product repeatedly to avoid damaged.
- To avoid confusion keep all parts and hardware together with the boxes that they came in; some bed configurations require multiple boxes.

SAFETY WARNING:

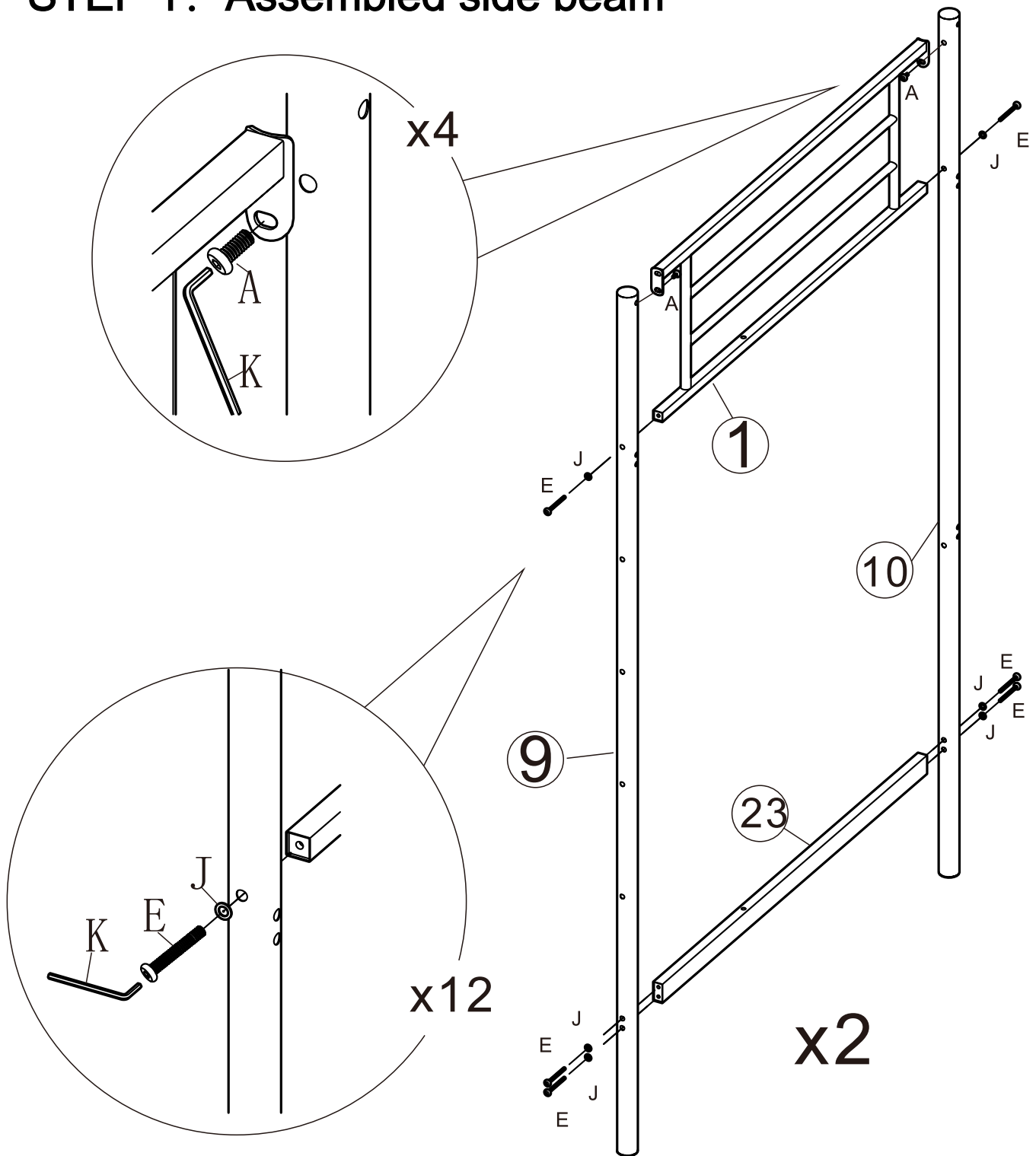
1. Follow the information on the warnings appearing on the upper bunk end structure and on the carton. Do not remove warning label from bed.
2. Always use the recommended size mattress or mat tress support, or both, to help prevent the likelihood of entrapment or falls.
3. Surface of mattress must be at least 5 in. (127 mm) below the upper edge of guardrails.
4. Do not allow children under 6 years of age to use the upper bunk.
5. Periodically check and ensure that the guardrail, ladder, and other components are in their proper position, free from damage, and that all connectors are tight.
6. Do not allow horseplay on or under the bed and prohibit jumping on the bed.
7. Always use the ladder for entering and leaving the upper bunk.
8. Do not use substitute parts. Contact the manufacturer or dealer for replacement parts.
9. Use of a night light may provide added safety precau tion for a child using the upper bunk.
10. Always use guardrails on both long sides of the upper bunk. If the bunk bed will be placed next to the wall, the guardrail that runs the full length of the bed should be placed against the wall to prevent entrapment between the bed and wall.
11. The use of water or sleep flotation mattresses is prohibited.
12. Keep these instructions for future reference.

<p>A</p>  <p>40Pcs M6x12</p>	<p>B</p>  <p>4Pcs M6x30</p>	<p>C</p>  <p>18Pcs M6x40</p>	<p>D</p>  <p>4Pcs M6x50</p>	<p>E</p>  <p>46Pcs M6x60</p>	<p>F</p>  <p>2Pcs M6x75</p>			
<p>G</p>  <p>10Pcs M4x12</p>	<p>H</p>  <p>2Pcs M4x35</p>	<p>I</p>  <p>2Pcs</p>	<p>J</p>  <p>36Pcs</p>	<p>K</p>  <p>1Pcs M4</p>	<p>L</p>  <p>1Pcs</p>	<p>1</p>  <p>2Pcs</p>		
<p>2</p>  <p>2Pcs</p>		<p>3</p>  <p>1Pcs</p>	<p>4</p>  <p>1Pcs</p>					
<p>5</p>  <p>1Pcs</p>		<p>6</p>  <p>1Pcs</p>	<p>7</p>  <p>2Pcs</p>					
<p>8</p>  <p>1Pcs</p>					<p>11</p>  <p>1Pcs</p>		<p>12</p>  <p>1Pcs</p>	<p>13</p>  <p>1Pcs</p>
<p>9</p>  <p>1Pcs</p>							<p>14</p>  <p>2Pcs</p>	
<p>10</p>  <p>2Pcs</p>								
<p>15</p>  <p>1Pcs</p>	<p>16</p>  <p>1Pcs</p>		<p>17</p>  <p>1Pcs</p>					
<p>18</p>  <p>4Pcs</p>		<p>22</p>  <p>2Pcs</p>		<p>24</p>  <p>2Pcs</p>	<p>25</p>  <p>2Pcs</p>			
<p>19</p>  <p>14Pcs</p>				<p>26</p>  <p>2Pcs</p>	<p>27</p>  <p>2Pcs</p>			
<p>20</p>  <p>2Pcs</p>	<p>21</p>  <p>8Pcs</p>	<p>23</p>  <p>2Pcs</p>						







Assembly Steps

STEP 1: Assembled side beam

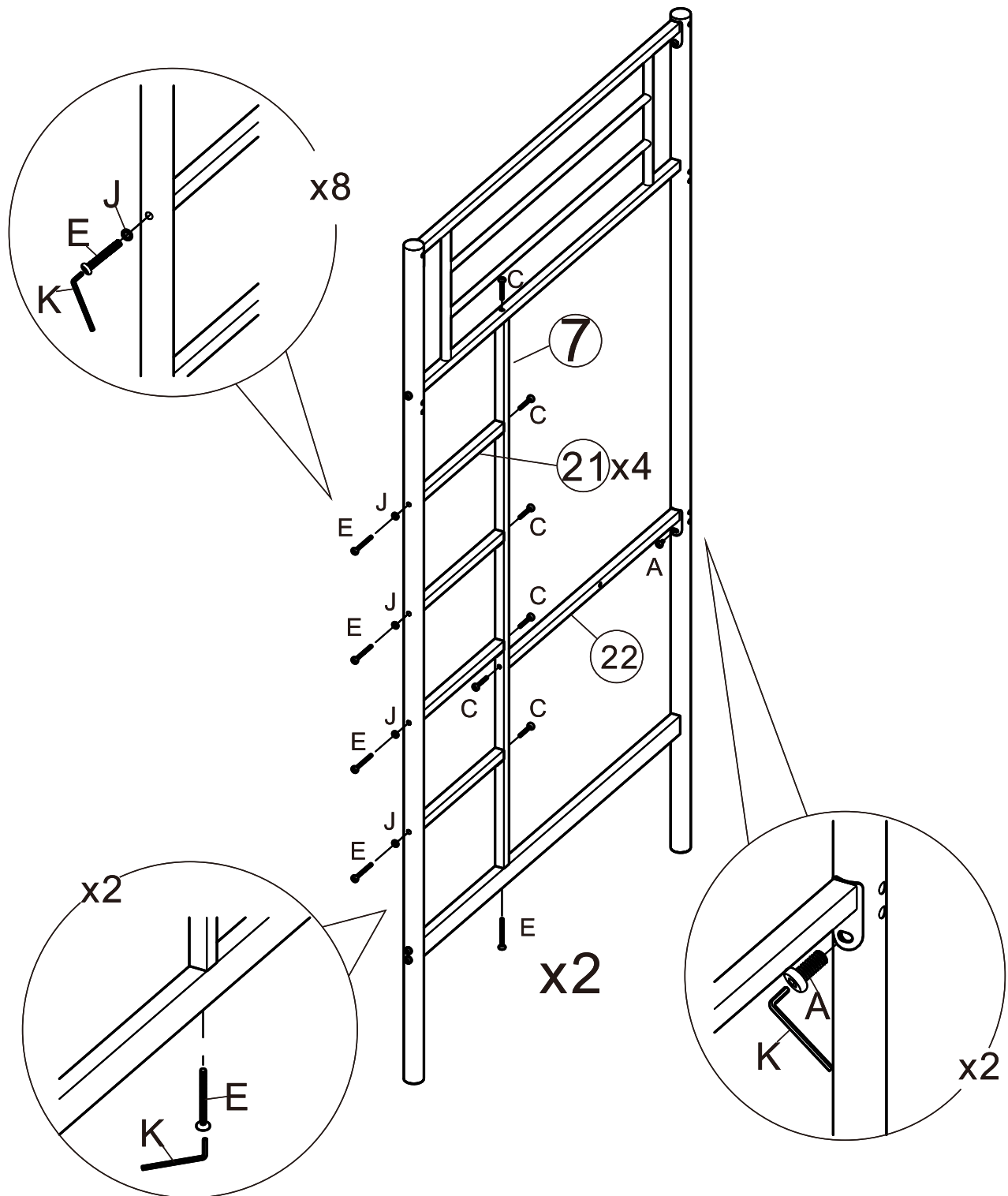


Pass A, E, and J through
(9)(10) Lock (1) (23)

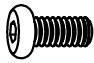
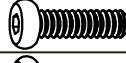



CODE	HARDWARE	QTY
A	 M6x12mm	4
E	 M6x60mm	12
J	 Ø13xØ8x1	12
K	 M4	1

Assembly Steps

STEP 2: Assemble ladder

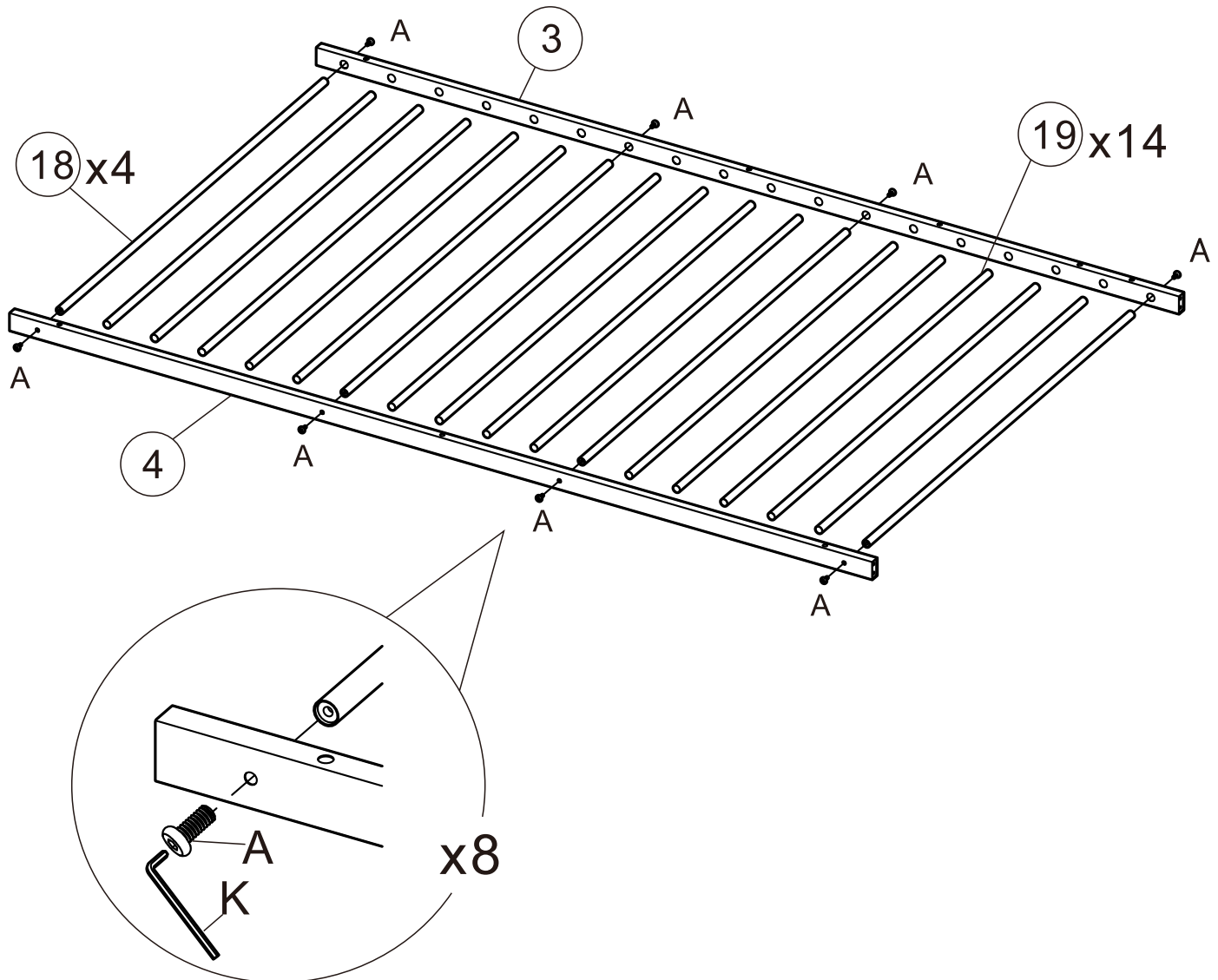


C, E, and J through (1)
 (9) (23) Lock (7)(21)
 and place A and C pass
 (10) (7) Lock up (22)

CODE	HARDWARE	QTY
A	 M6x12mm	2
C	 M6x40mm	12
E	 M6x60mm	10
J	 Ø13xØ8x1	8
K	 M4	1


Assembly Steps

STEP 3: Assemble the bed support tube



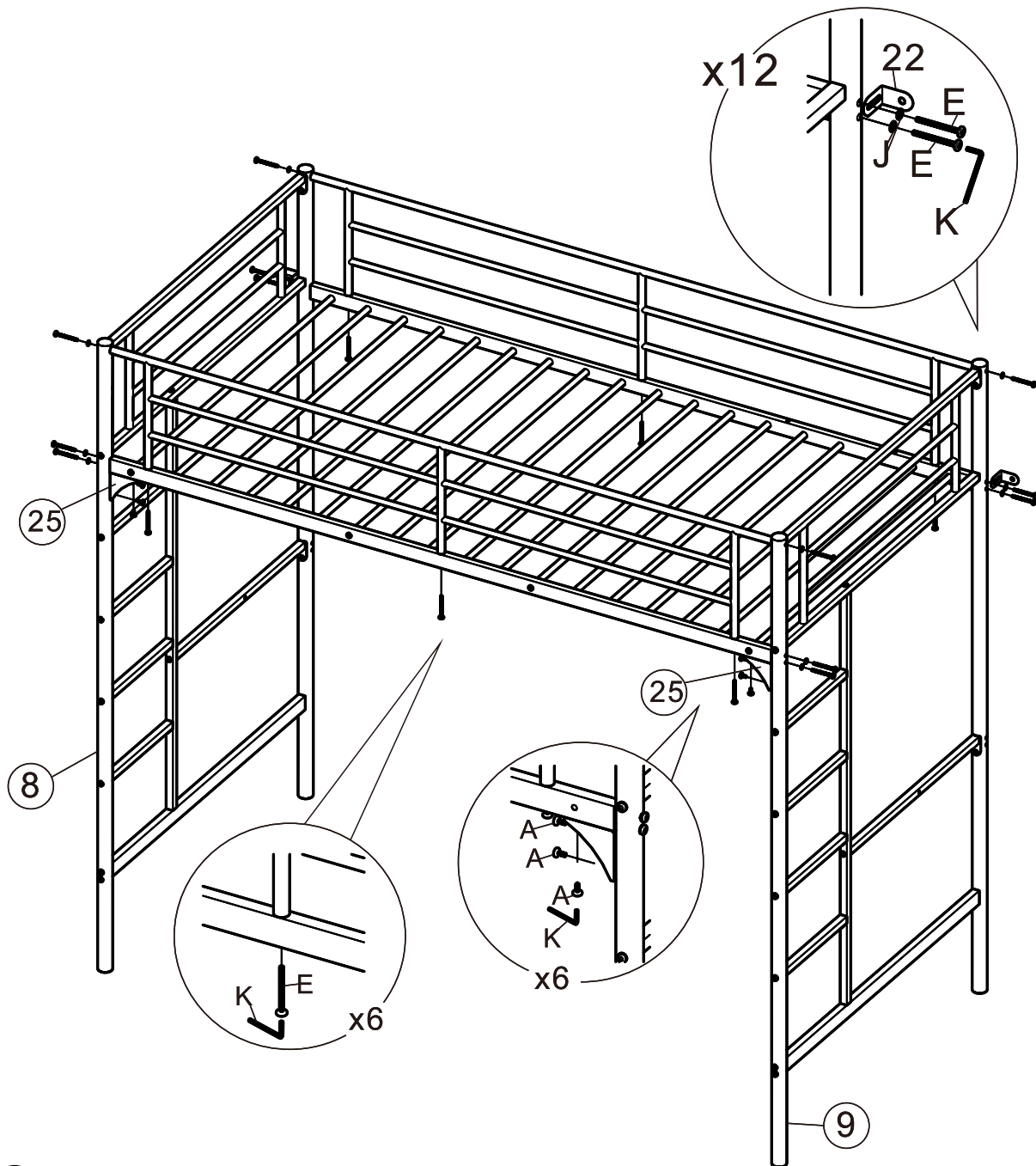
① I'm going to pass A
(3) (4) Lock (18)

② Place (18) in the
through hole and (19)
in the half hole

CODE	HARDWARE	QTY
A	 M6x12mm	8
K	 M4	1

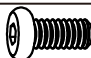



Assembly Steps

STEP 4: Assemble the bed and guardrail



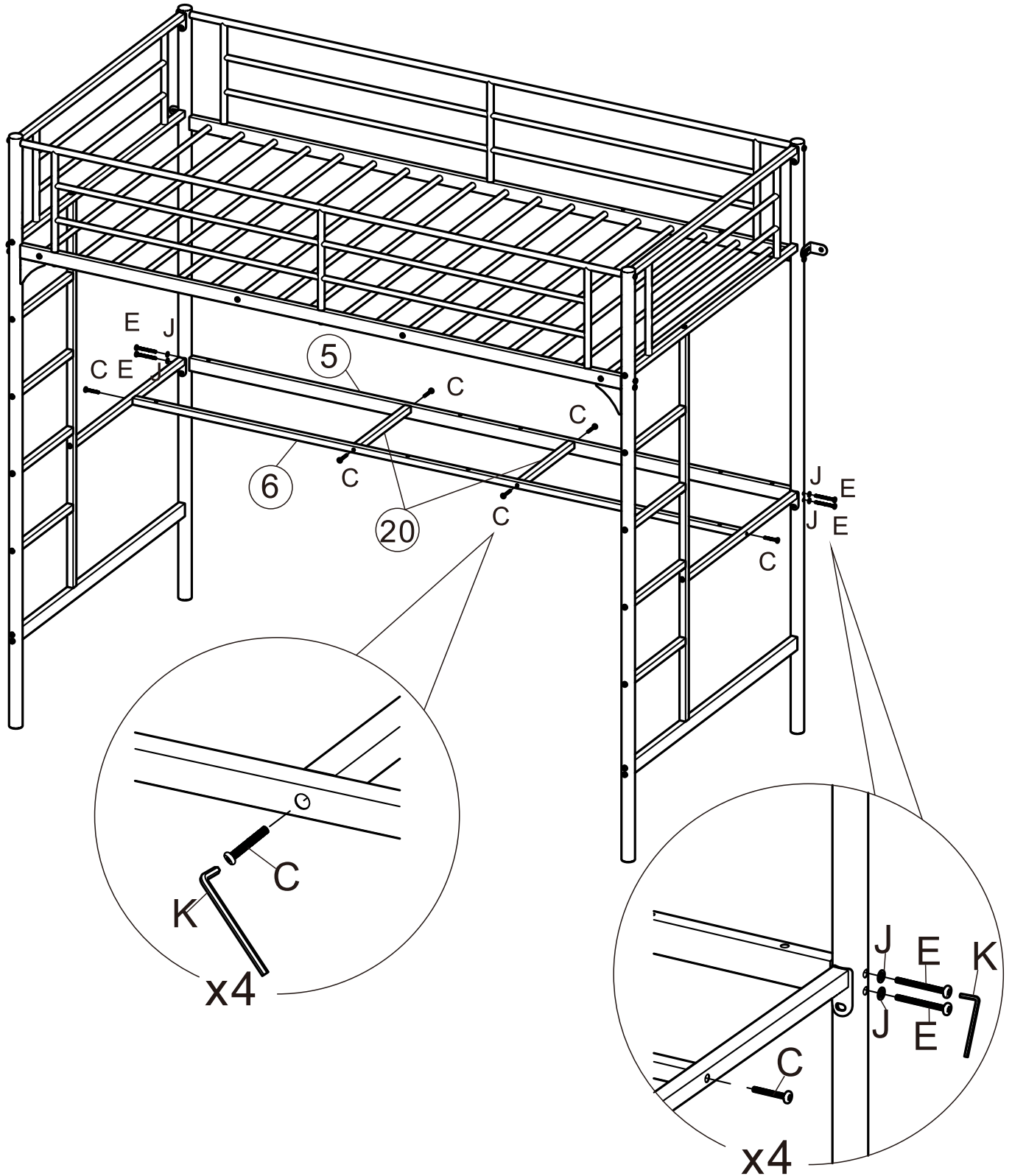
① Assemble the bed and guardrail to lock the bed by E and J through (22) and the side side of the bed

② and A through (25) to strengthen the side and the bed, and then E and J through the side and the bed lock (2)


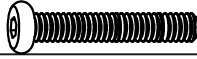


CODE	HARDWARE	QTY
A	 M6x12mm	6
E	 M6x60mm	18
J	 $\varnothing 13 \times \varnothing 8 \times 1$	12
K	 M4	1

Assembly Steps

STEP 5: Assembled desk

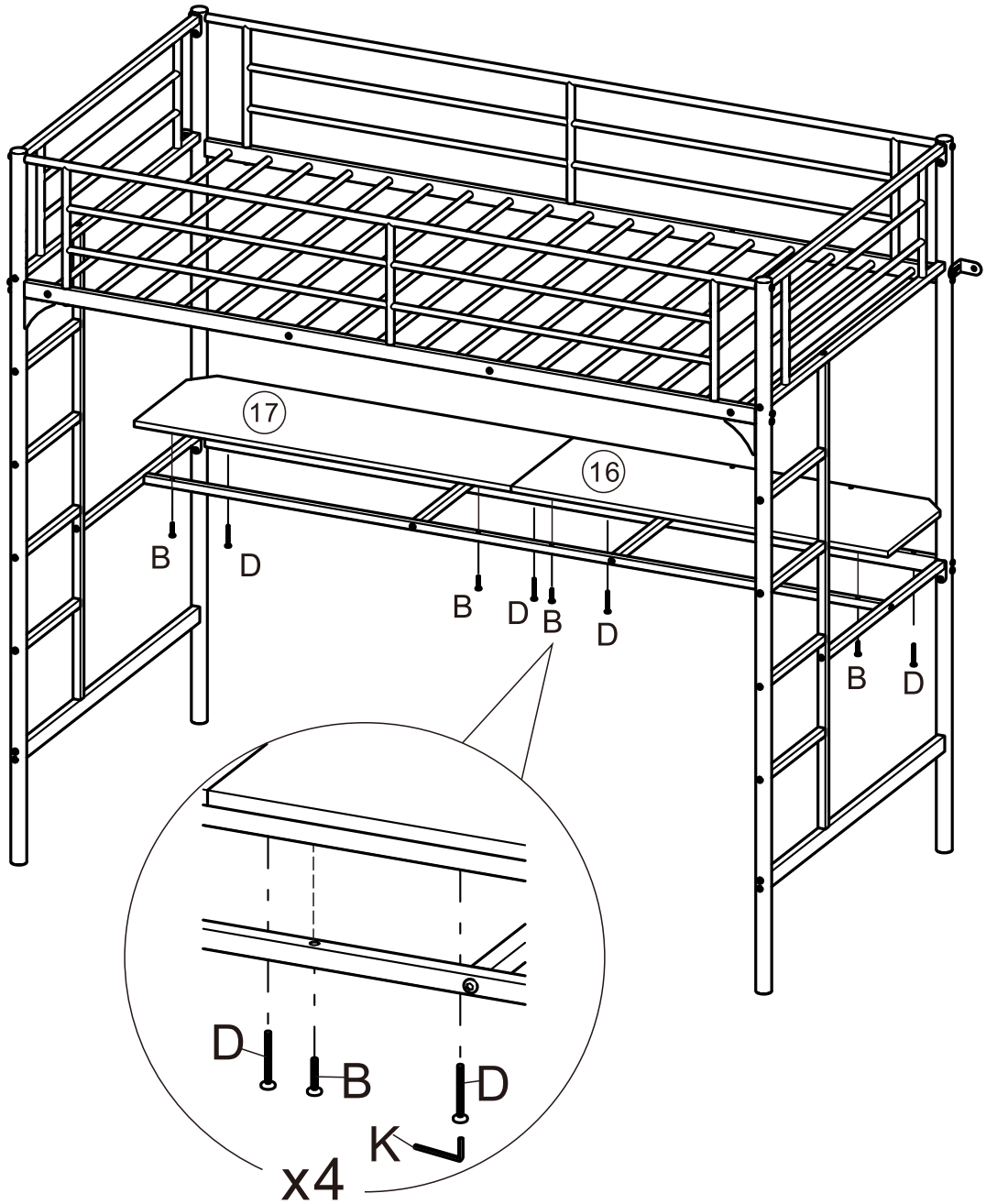


Lock C, E, J through the side square (5) (6) (20)




CODE	HARDWARE	QTY
C	 M6x40mm	6
E	 M6x60mm	4
J	 $\varnothing 13 \times \varnothing 8 \times 1$	4
K	 M4	1

Assembly Steps

STEP 6: Assemble desktop

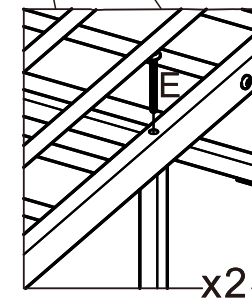
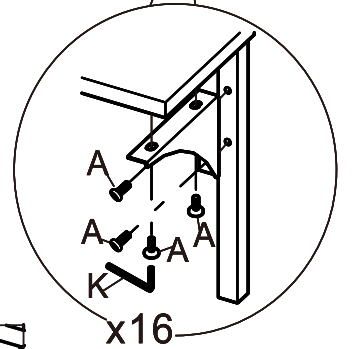
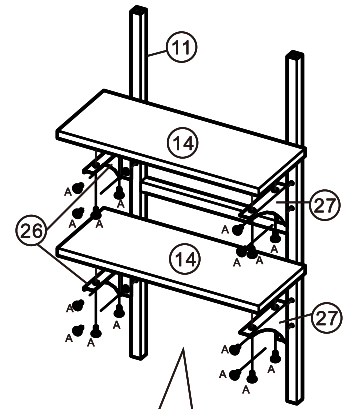
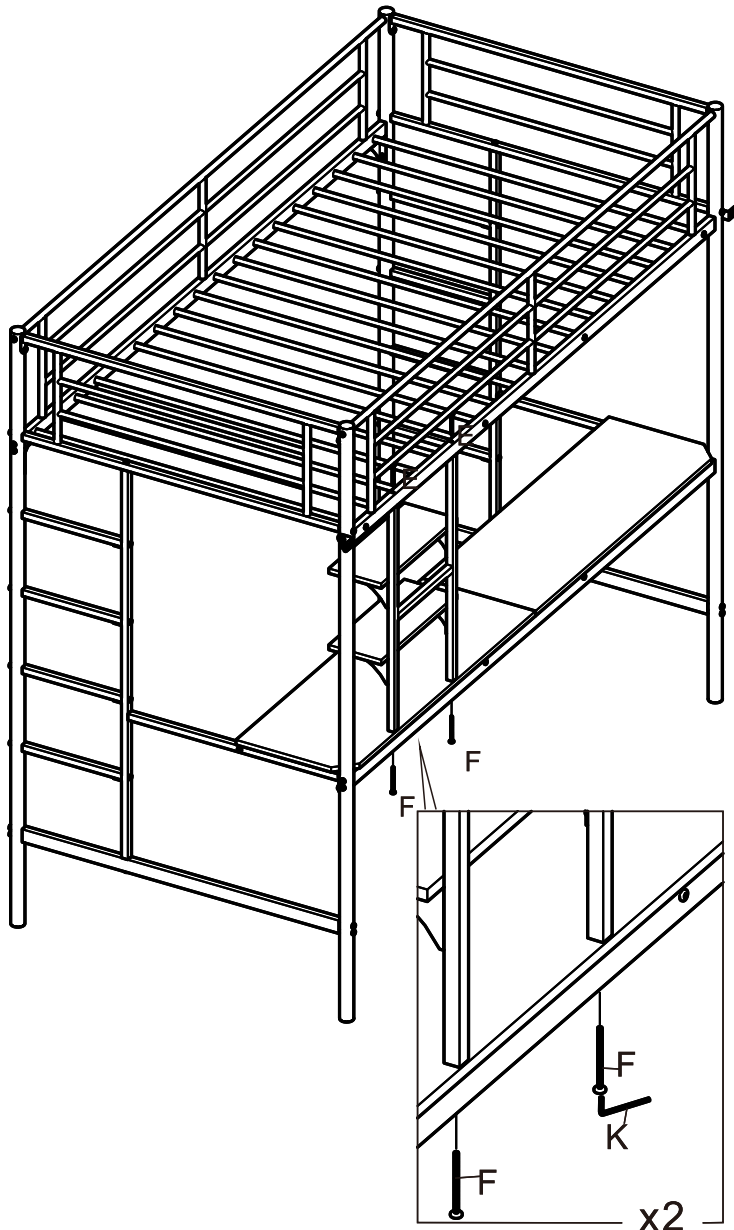


Pass B and D through
(5)(6) Lock (16)(17)

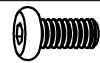



CODE	HARDWARE	QTY
B	 M6x30mm	4
D	 M6x50mm	4
K	 M4	1

Assembly Steps

STEP 7: Assembly shelf

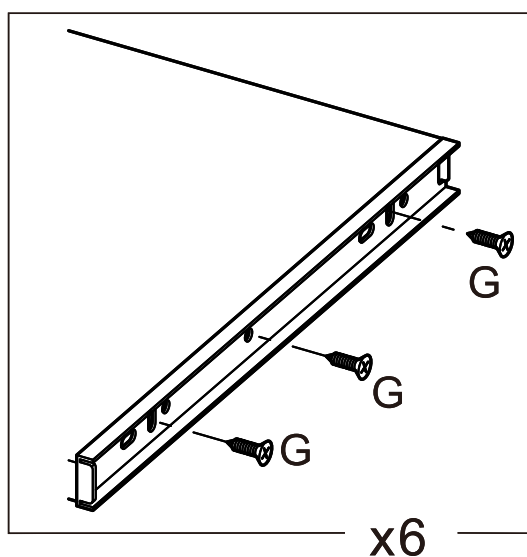
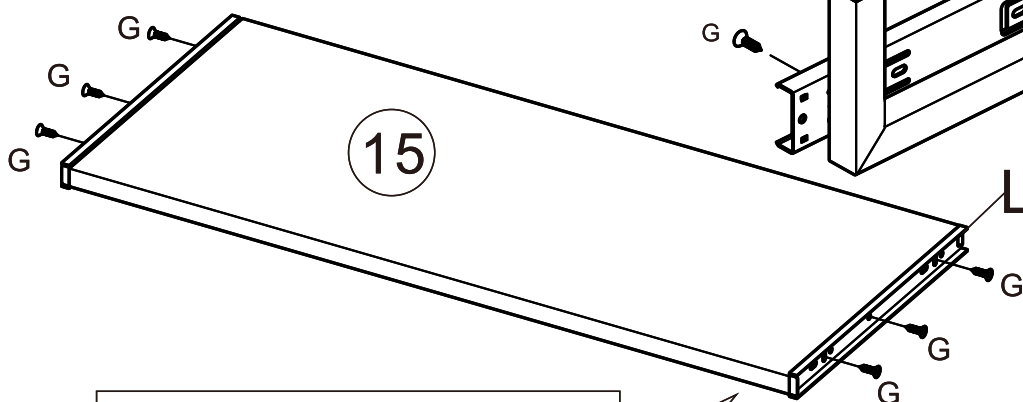
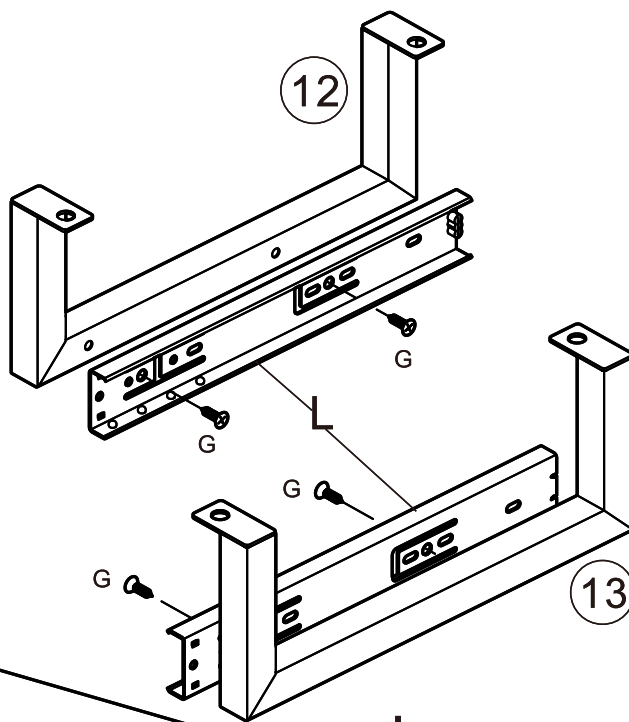
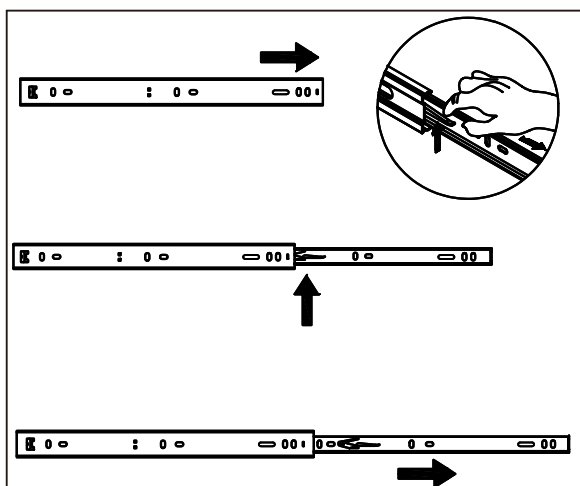


- ① Put A through (11) to lock (26) and (27)
- ② put A through (26) and (27) to lock (14), and then put E and F through the desktop Locked to the bed (11)



CODE	HARDWARE	QTY
A	 M6x12mm	16
E	 M6x60mm	2
F	 M6x75mm	2
K	 M4	1

Assembly Steps

STEP 8: Assembly slide

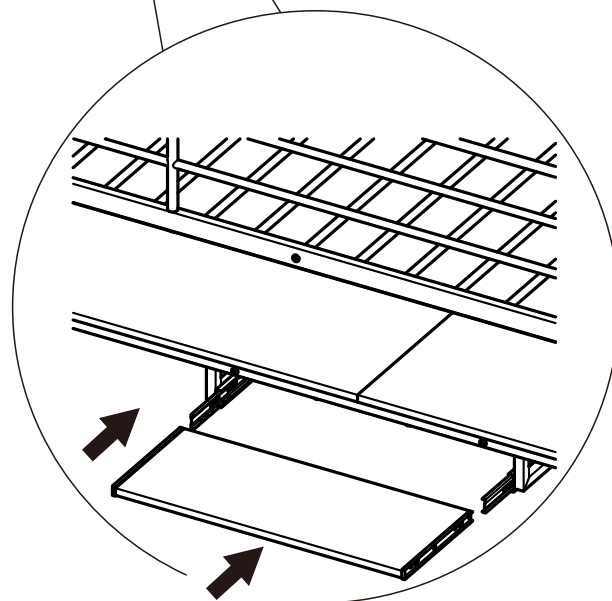
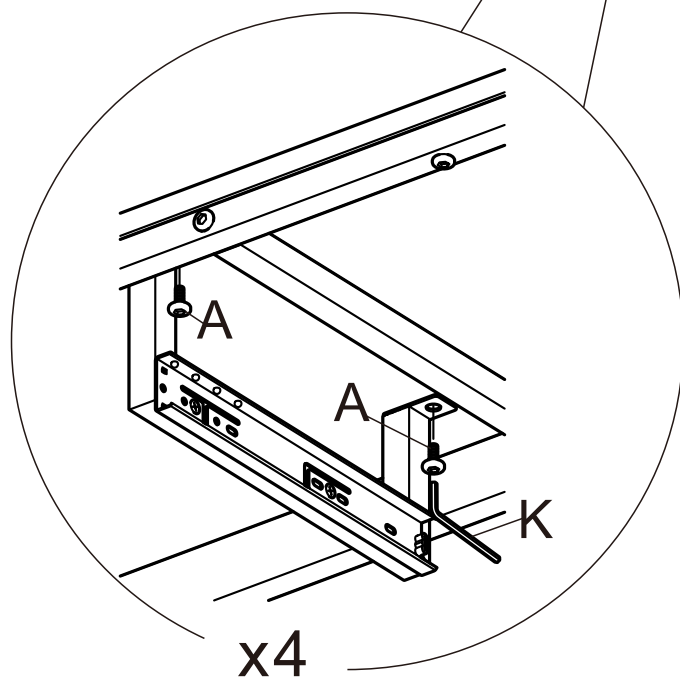
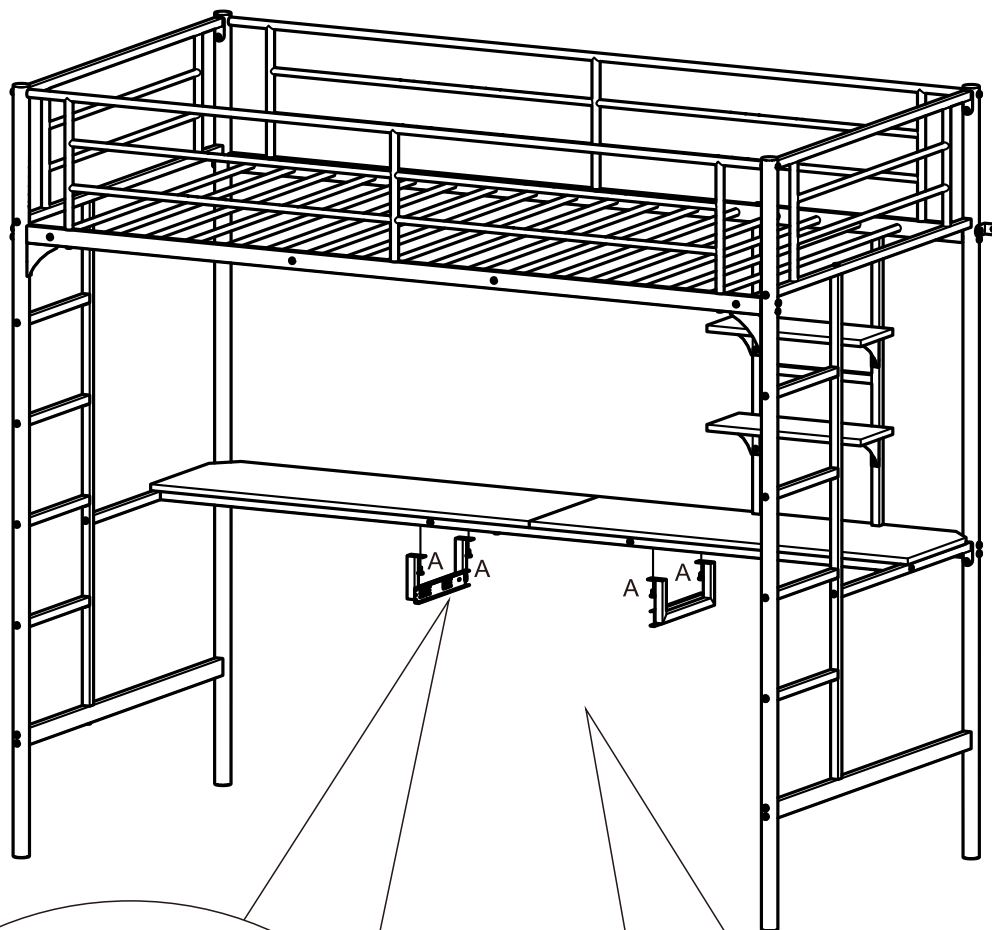


- ① Disassemble L and lock G through (L1) to (12) to (13)
- ② and lock G through (L2) to (15)



CODE	HARDWARE	QTY
G	 M4x12mm	10
L		1

Assembly Steps

STEP 9: Assemble keyboard

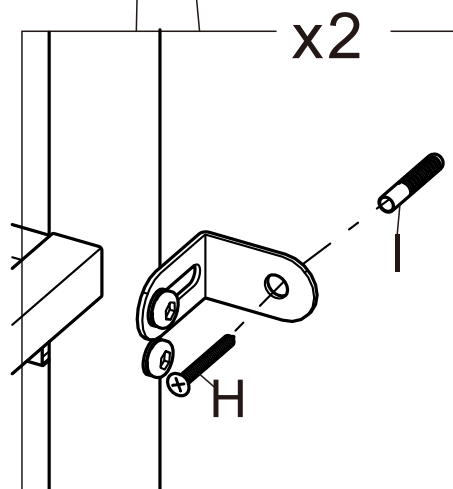
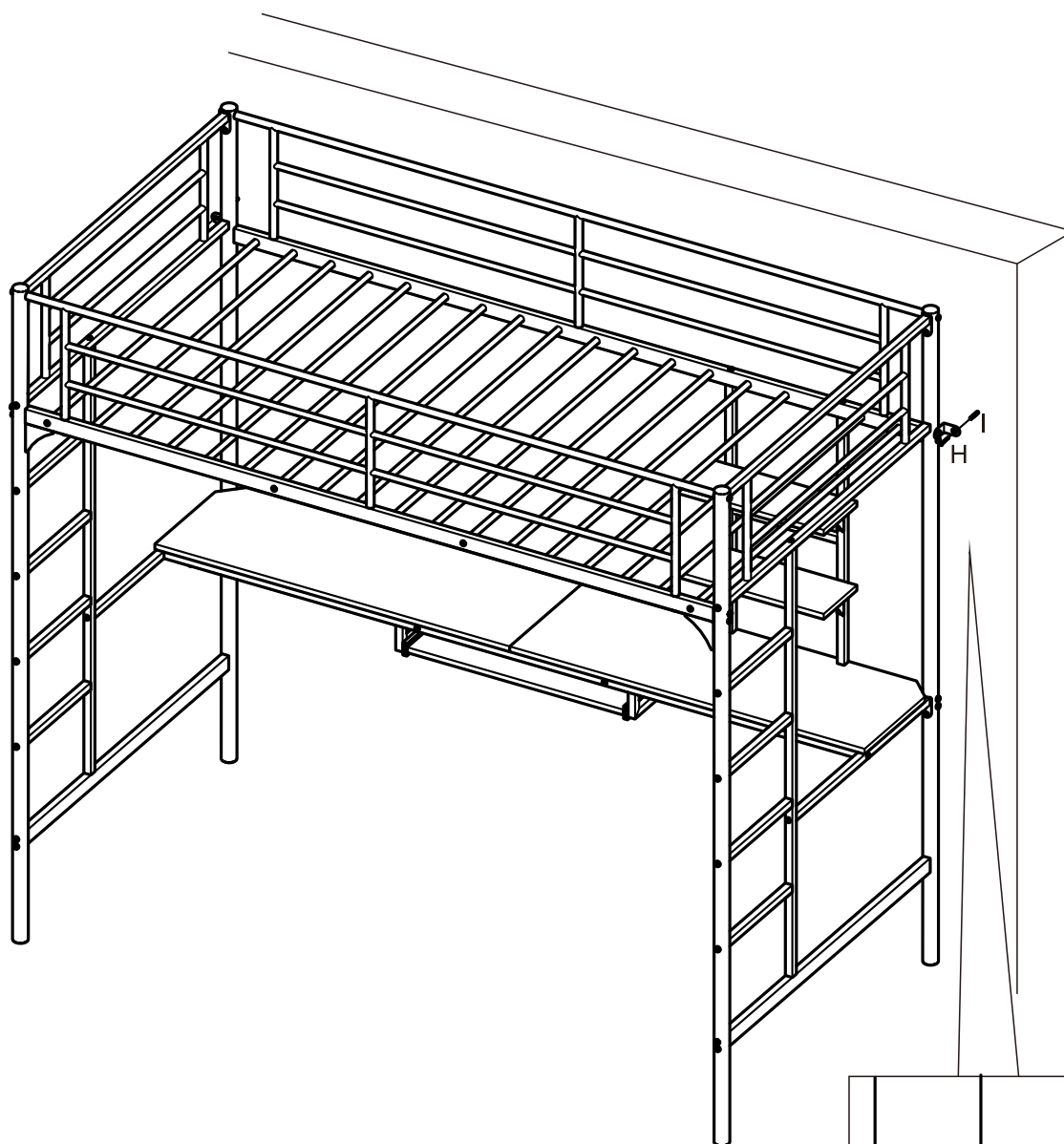


Lock (12)(13) through A
desktop and install
(15) inside



CODE	HARDWARE	QTY
A	 M6x12mm	4
K	 M4	1

Assembly Steps

STEP 10: Assemble the anti-toppling device



Fix I inside the wall and lock H through (24) to (I)

CODE	HARDWARE	QTY
H	 M4x35mm	2
I		2