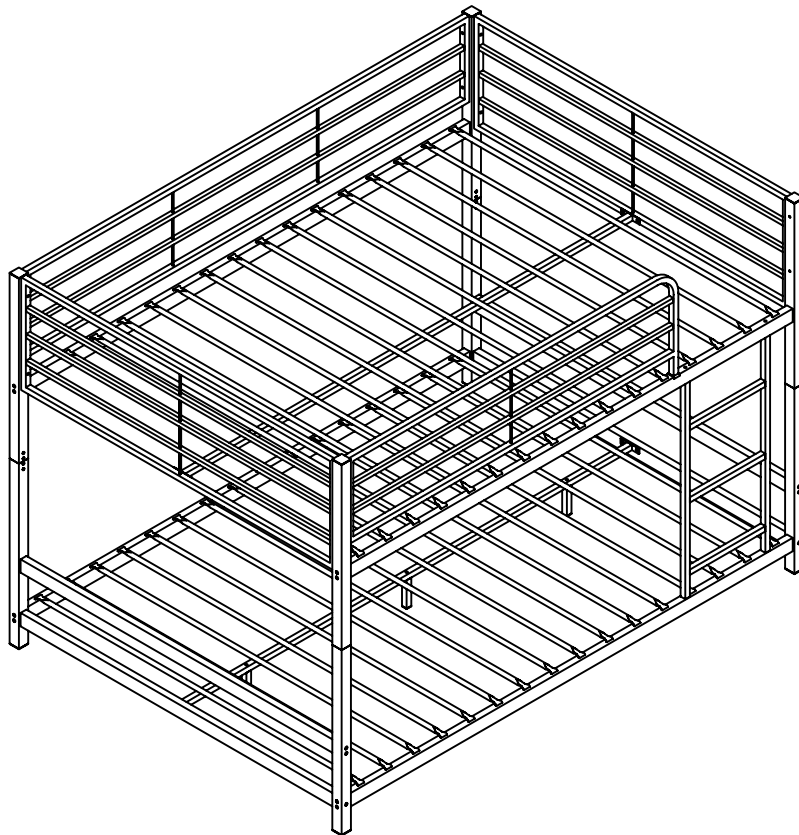




Bunk Bed



Note: This bed frame comes in two boxes.

Thank you for your purchase.

If you have difficulty with assembly or find a part is missing or damaged, please don't hesitate to contact us for solution. Here is how we can connect:

Email: Support@bonnlo.com

Facebook: <https://www.facebook.com/BonnloDirect/>

Please attach your Order ID so we can assist you better.

Introduction

● Guide of Manual

Please read the following instruction carefully and use the product properly.

Please keep this manual and hand it over when you transfer the product.

This summary may not include every detailed information of all variations and considered steps. Please contact us when further information and help needed.

● Before Starting

Recommend no. of people needed for assembly: 4-5

Read each section carefully before starting. It is very important that each step is performed in the correct order. If these steps are not followed in sequence, assembly difficulties will occur.

Make sure all parts are included. Most board parts are labeled or stamped on the raw edge.

Please assemble the product according to the steps on the diagram strictly. Do not fully tighten the screws until all pieces are situated in place.

For continued use, it's suggested you regularly check the tightness of bolts and connections to ensure safety.

Work in spacious area, preferably on a carpet, near the place the unit will be

● Warning

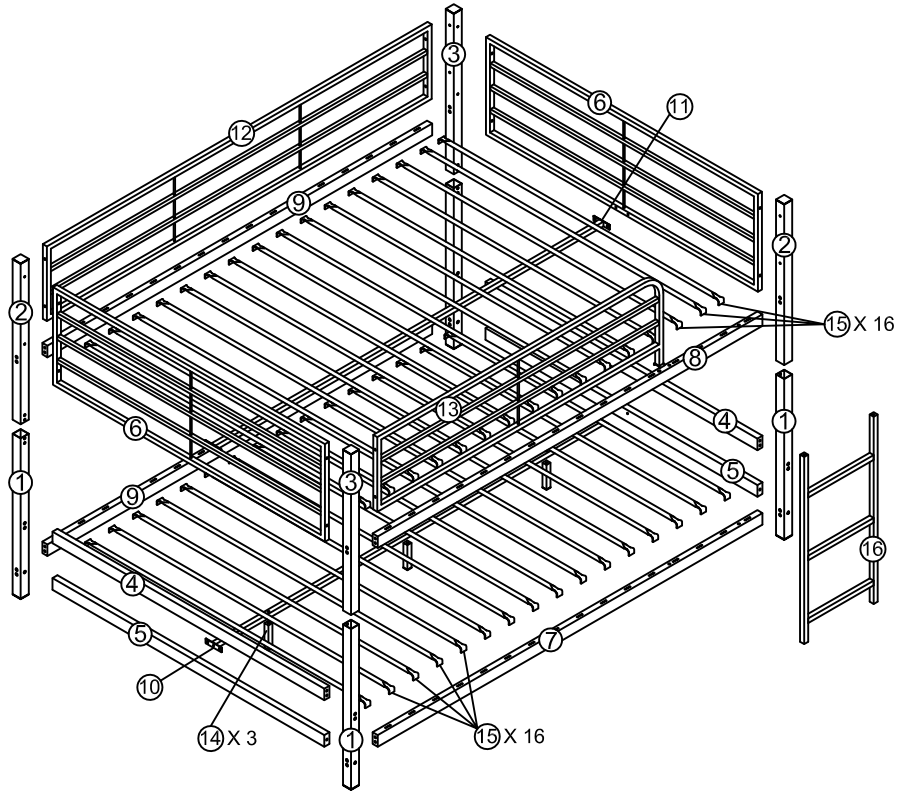
Keep all accessories and packaging of this product away from babies, children and pets as they potentially

The units contains small parts which could be a choking hazard for small children. Children should be under adult supervision at all times or serious injury could occur.

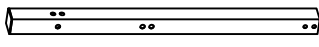
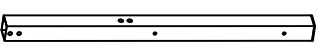
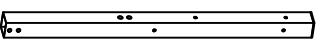
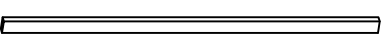


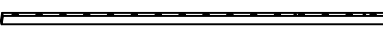






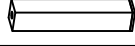
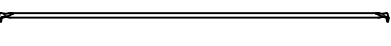

Do not put the product in a humid environment for a long time to prevent mildew.

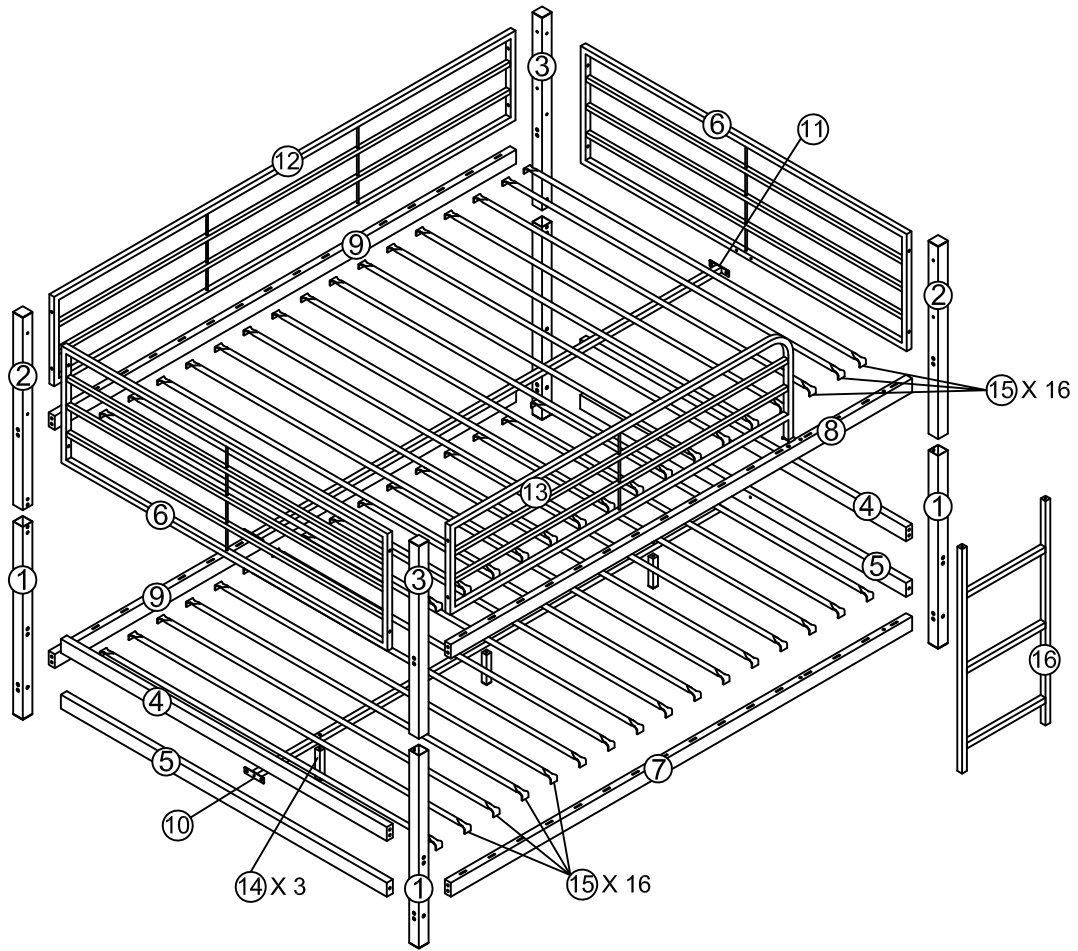
Keep the product away from sharp objects and corrosive chemicals to avoid damage.

Part List 1









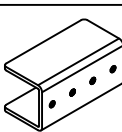


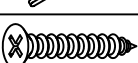


COMPONENTS

NO.	DESCRIPTION		DIMENSION	QTY
1	Lower Left & right column		40X40X700	4pcs
2	Upper Front Left column		40X40X680	2pcs
3	Upper Front Right column		40X40X680	2pcs
4	Headboard & Footboard Rail		25X50X1350	2pcs
5	Headboard & Footboard Rail		25X50X1350	2pcs
6	Upper bed side fence		20X355X1350	2pcs
7	Lower bed bar		25X50X1910	1pc
8	Upper bed bar		25X50X1910	1pc
9	Back side bed bar		25X50X1910	2pcs
10	Bottom center beam		20X60X1930	1pc
11	Upper center beam		20X60X1930	1pc
12	Upper bed rear fence		20X260X1910	1pc
13	Upper bed front fence		20X340X1425	1pc
14	Supporting legs		20X20X75	3pcs
15	Round Support Slat		Ø16X1395	32pcs
16	Ladder bracket		20X355X890	1pc

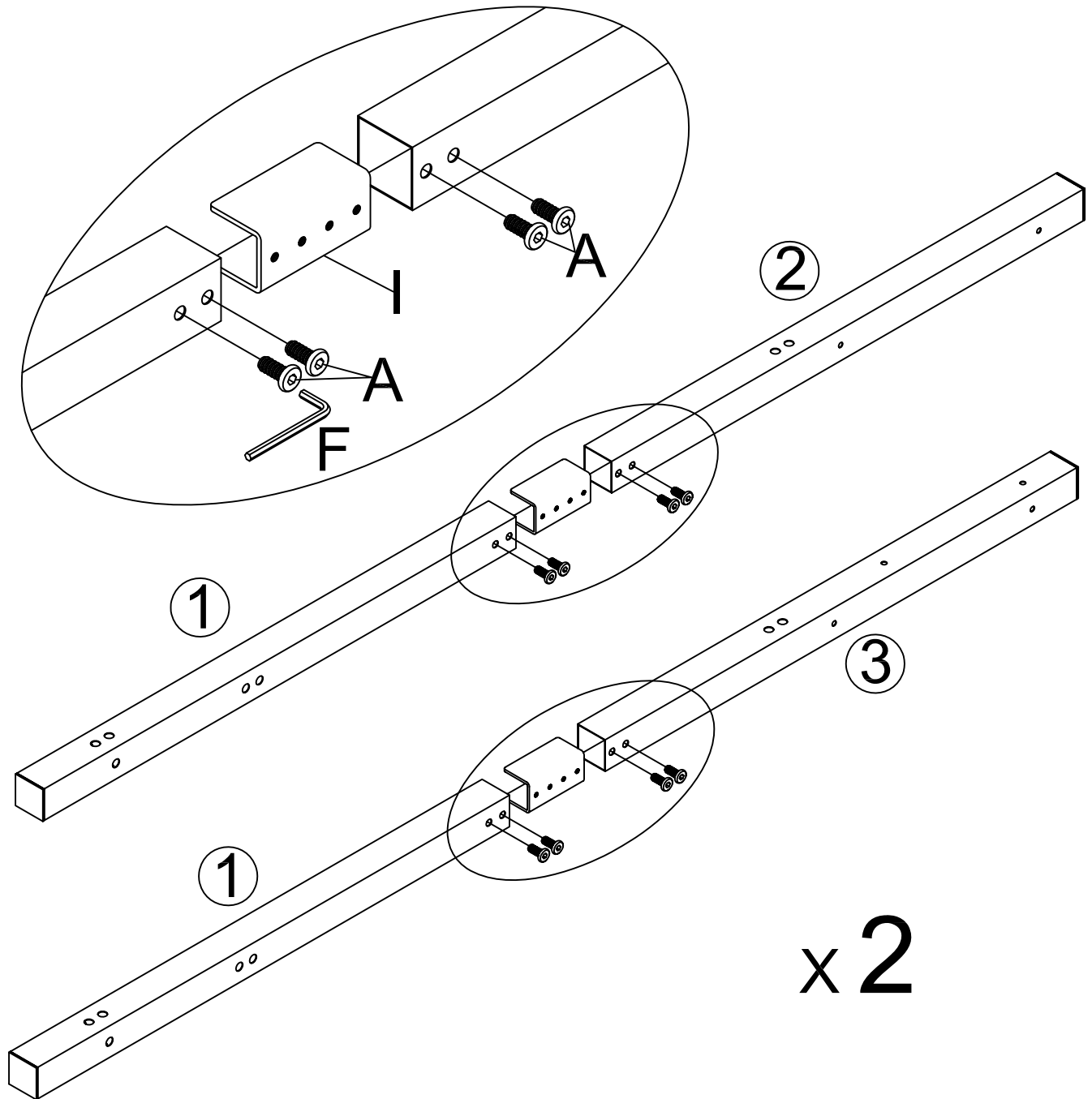


COMPONENTS


NO.	DESCRIPTION		DIMENSION	QTY
A	Screws		M6x12	26pcs
B	Screws		M6x30	14pcs
C	Screws		M6x40	3pcs
D	Screws		M6x60	4pcs
E	Screws		M8x60	29pcs
F	Washer		Ø8	29pcs
G	Allen Key		M4	1pc
H	Allen Key		M5	1pc
I	U shaped connecting plate			4pcs
J	L shaped connecting plate			2pcs
K	Plastic Expansion Pipe		Ø6x30	2pcs
L	Screws		M4x35	2pcs

Assembly Steps

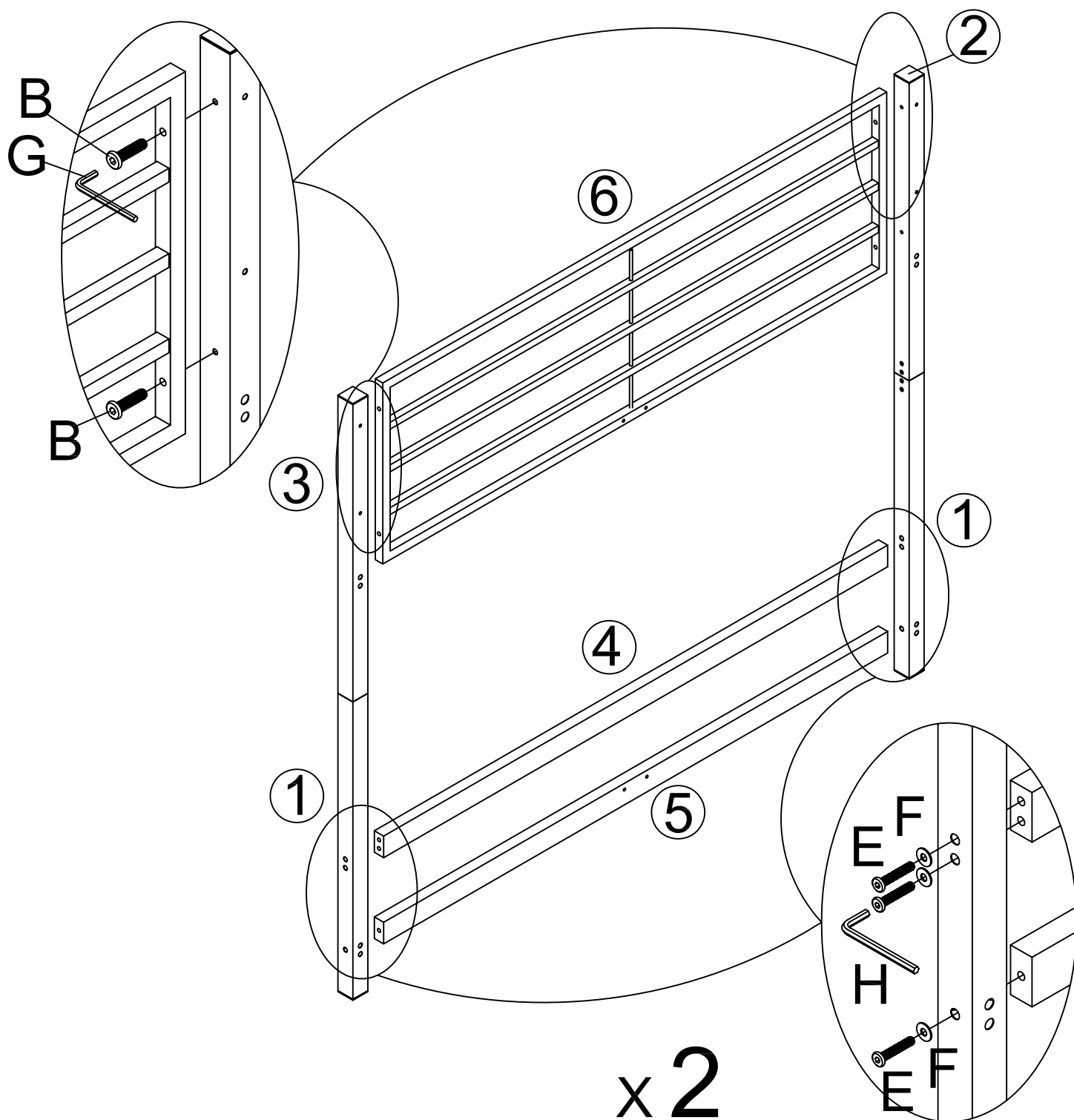
STEP 1 Assemble the upper and lower columns



Put U shaped connecting plate I insert Column #1,
And then connecting Column #1 with #2 and #3
separately by using Screw A




CODE	HARDWARE	QTY
A		16

STEP 2 Assemble Headboard & Footboard

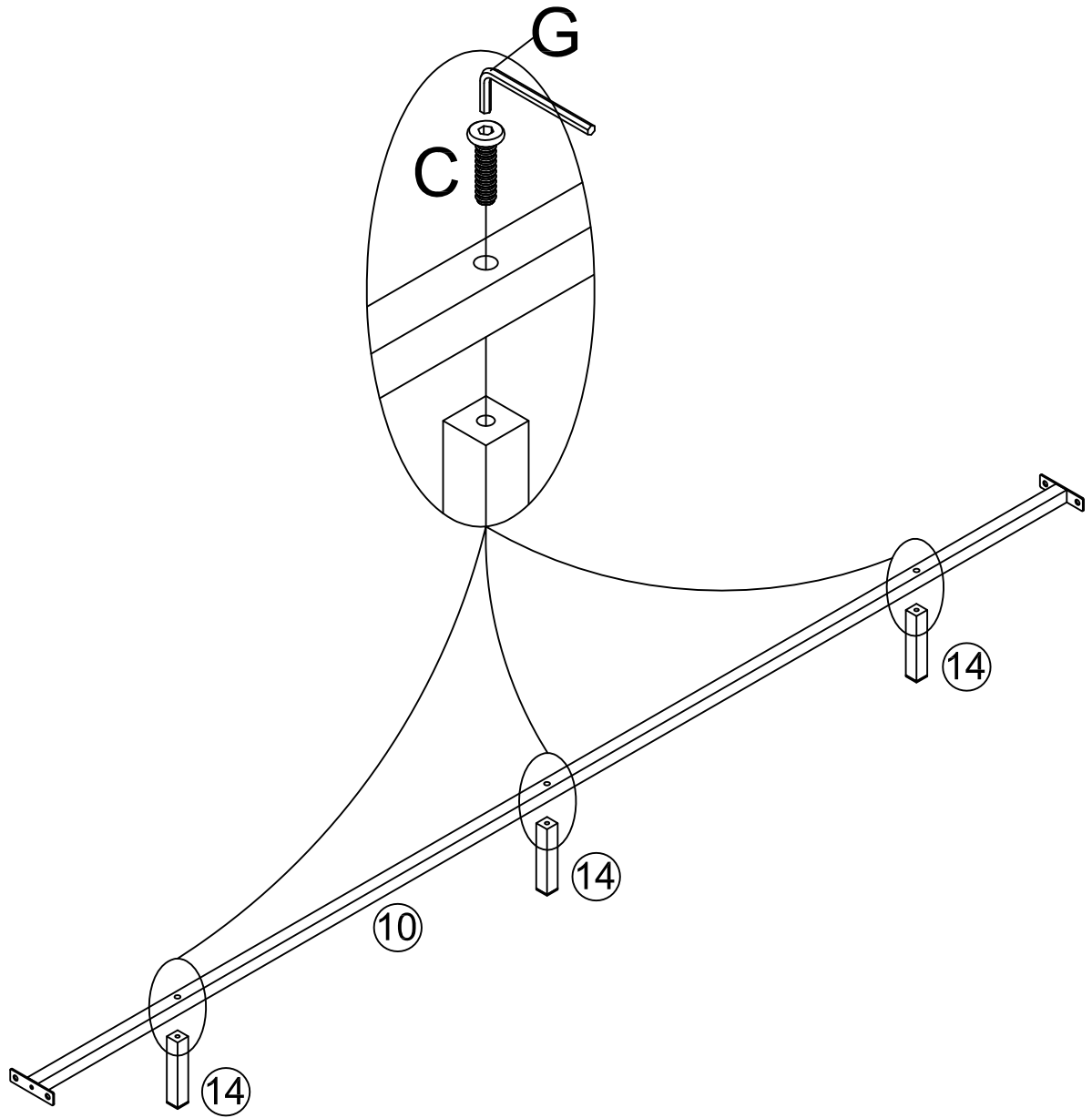


① Headboard: Connecting the Side fence #6 with assembled column via Screw B; and then put on #4 and #5 by using Screw E and washer F


② Repeat the same step for the footboard

CODE	HARDWARE	QTY
B		8
E		12
F		12

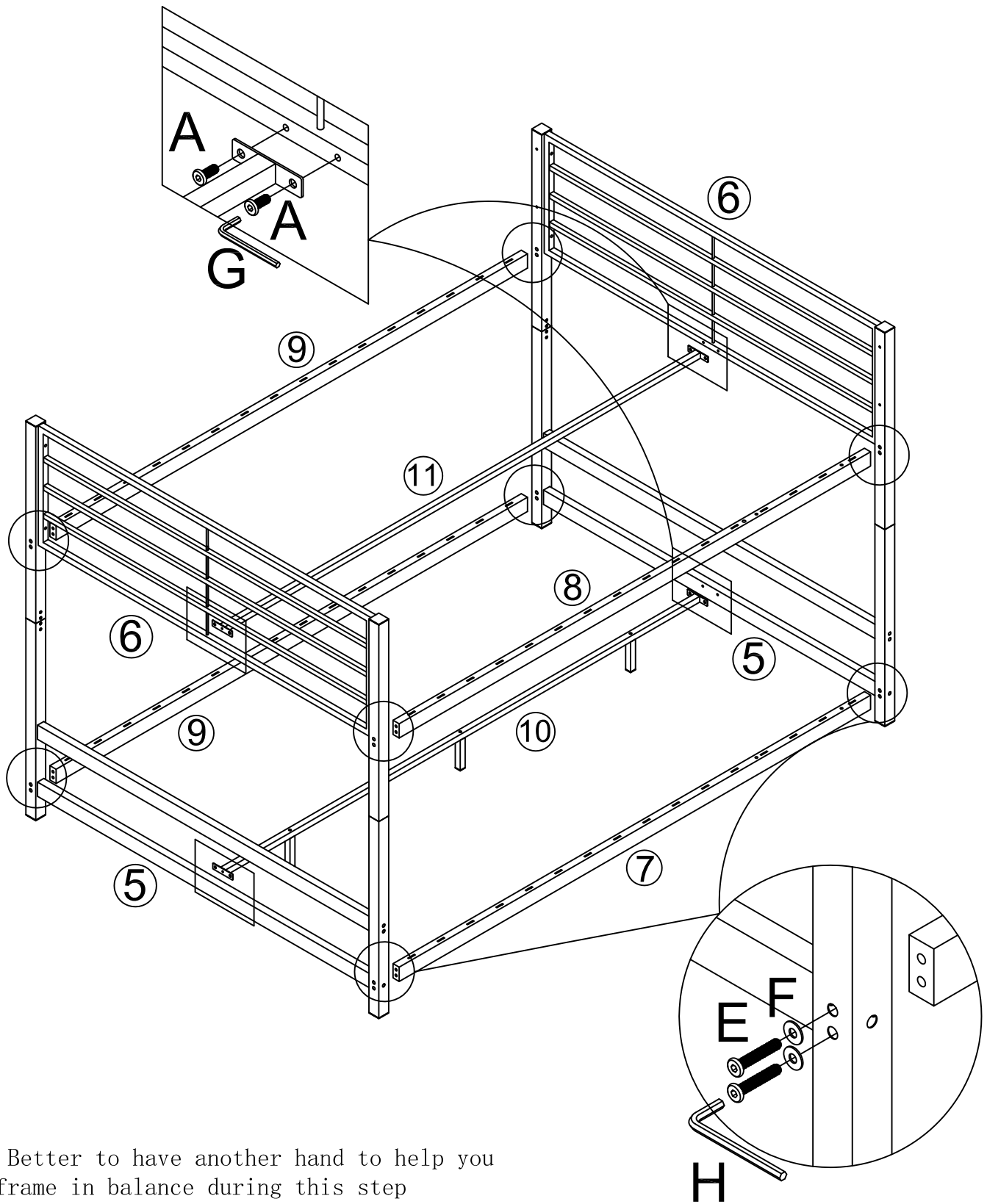
STEP 3 Assemble Middle support legs



Put Support leg #14 on the Bottom center beam #10 by using Screw C




CODE	HARDWARE	QTY
C		3

STEP 4 Connecting the Frame

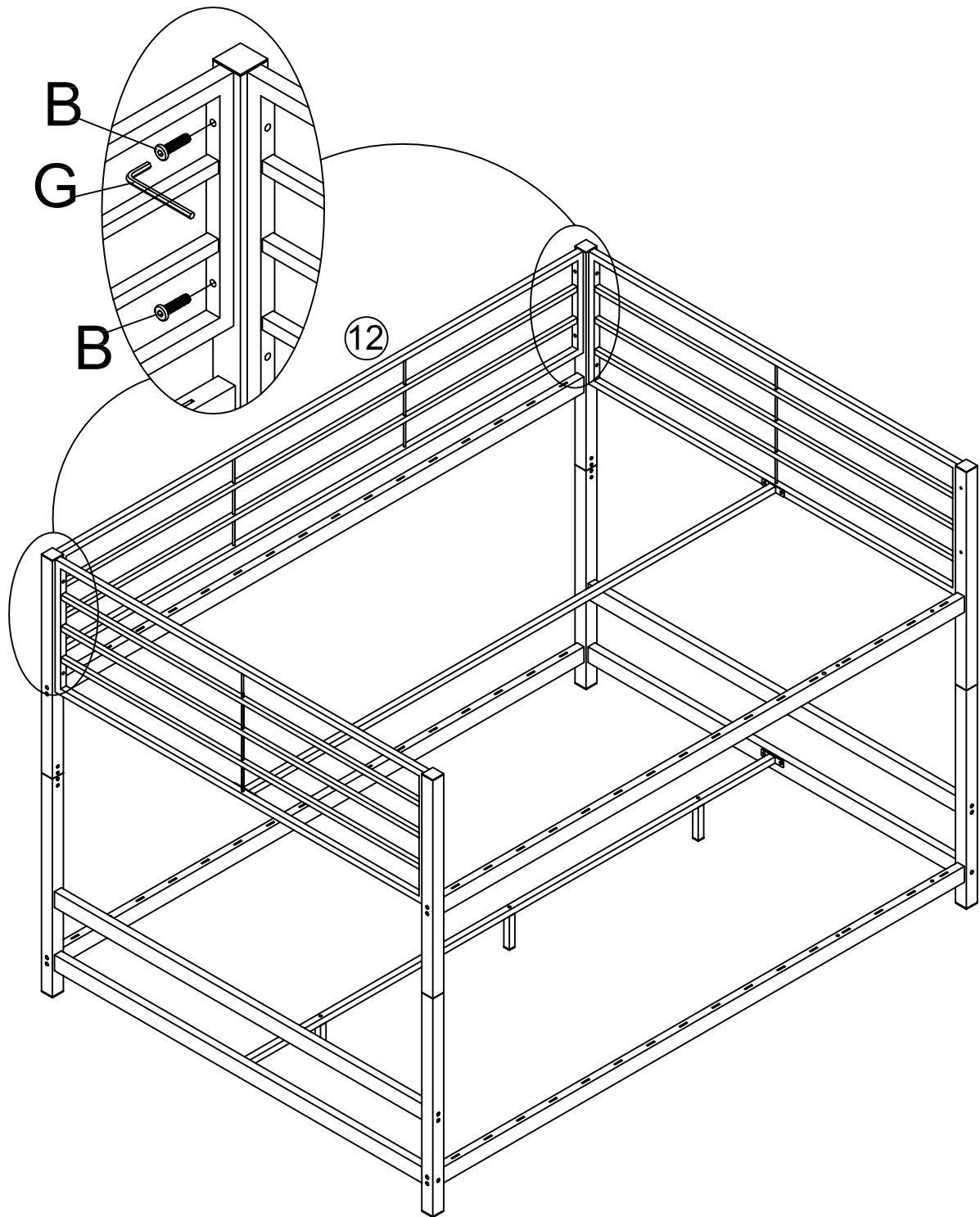


Tips: Better to have another hand to help you keep frame in balance during this step


- ① Connecting Assembled Headboard and Footboard with side bar #7, #8 and #9 by using the Screw E & Washer F (Do not fully tighten now)
- ② Using Screw A to connecting the center beam #10 and #11

CODE	HARDWARE	QTY
A		8
E		16
F		16

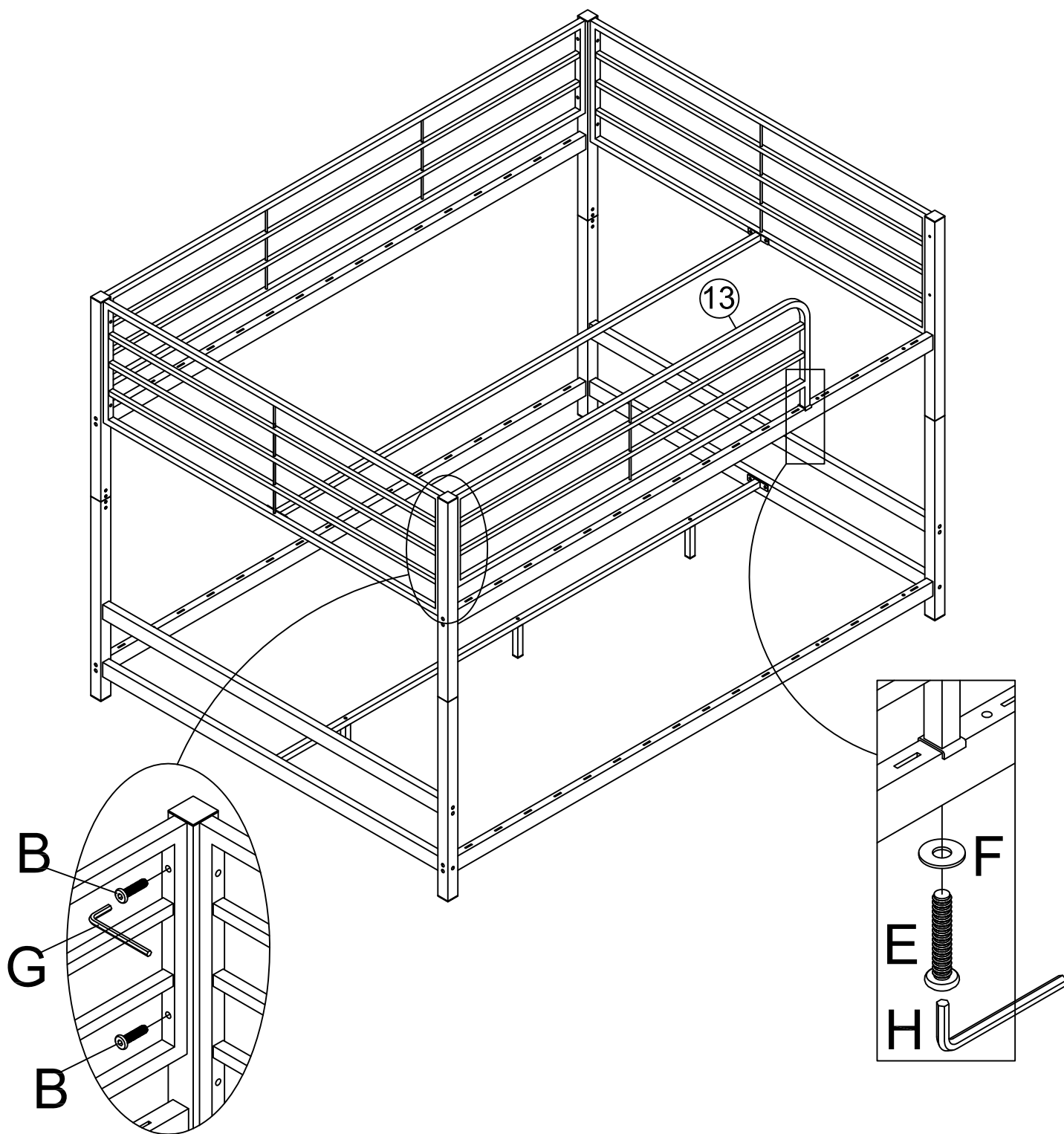
STEP 5 Assemble upper bed rear fence



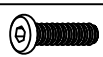


Put Back fence #12 on by using Screw B

CODE	HARDWARE	QTY
B		4

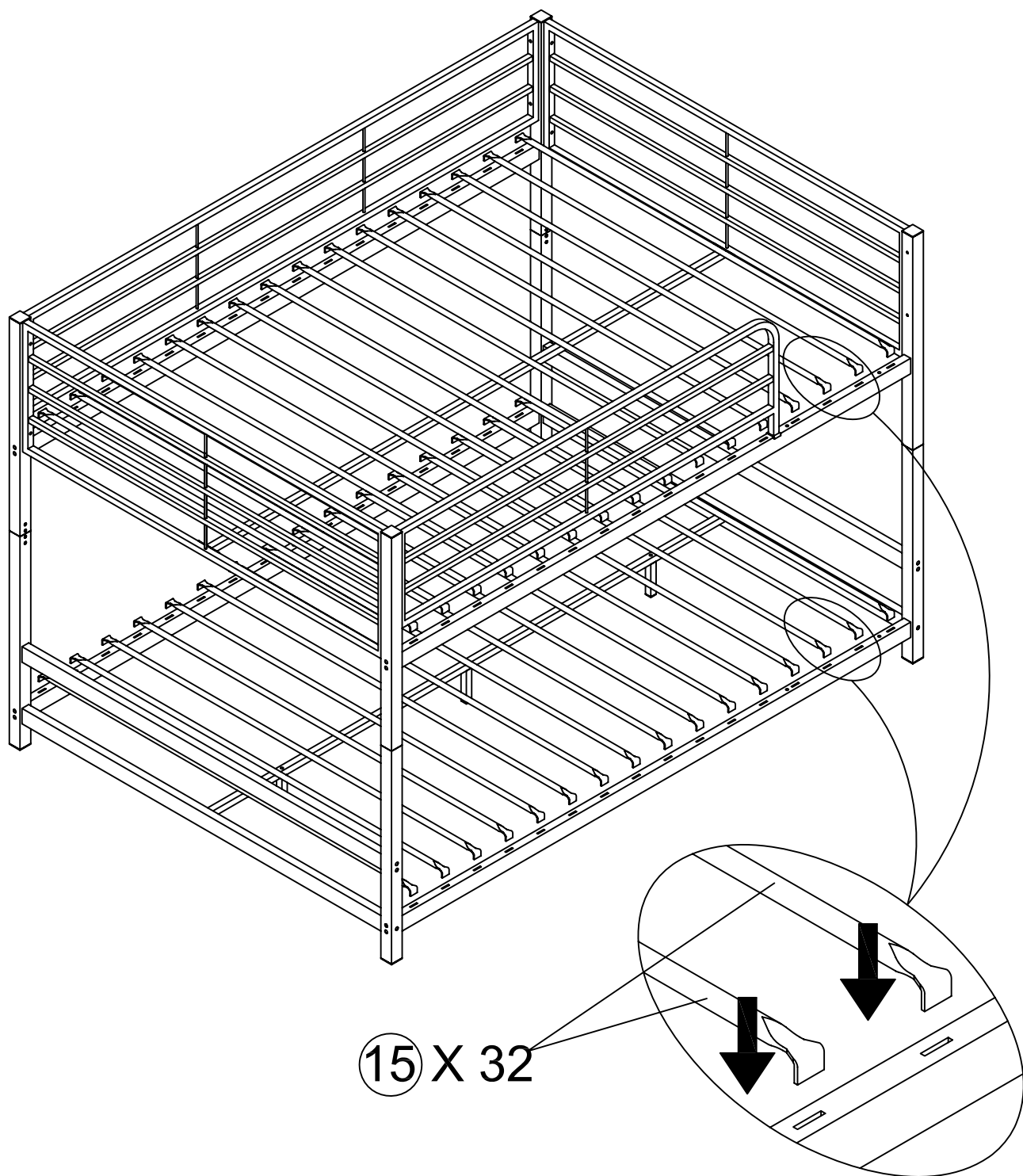
STEP 6 Assemble upper front bed fence



Put Front fence #13 on by using Screw B, Screw E & Washer F

CODE	HARDWARE	QTY
B		2
E		1
F		1

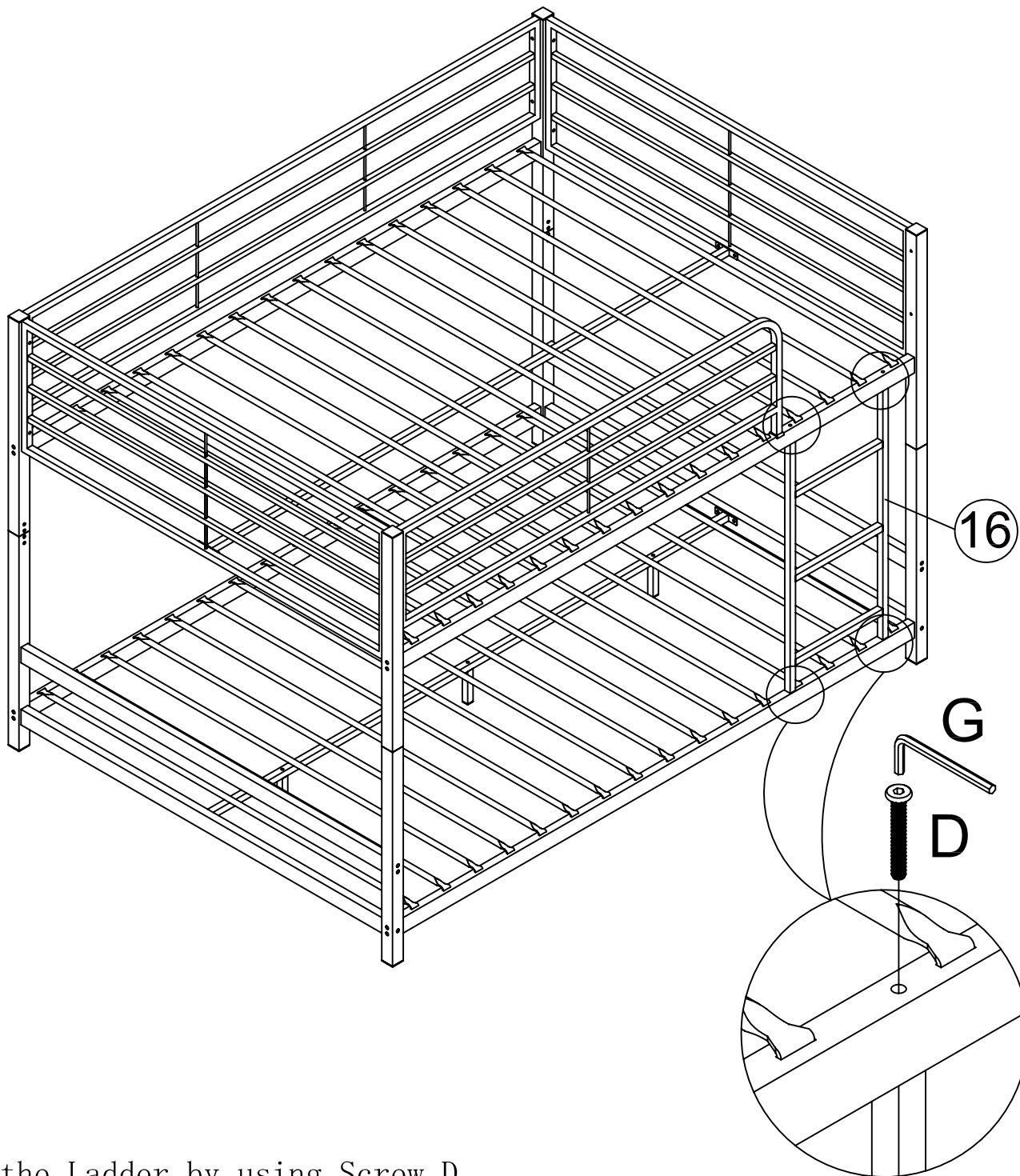
STEP 7 Assemble upper and lower bed Round Support Slat




(15) X 32

Put on the bed slat #15

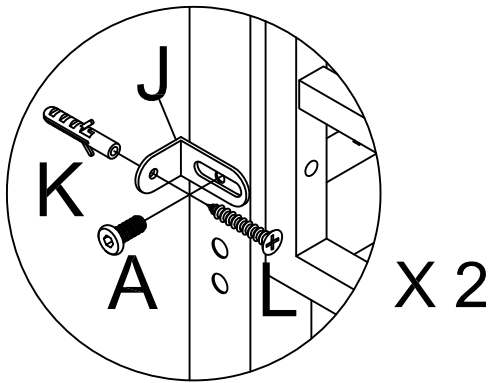
STEP 8 Assemble ladder



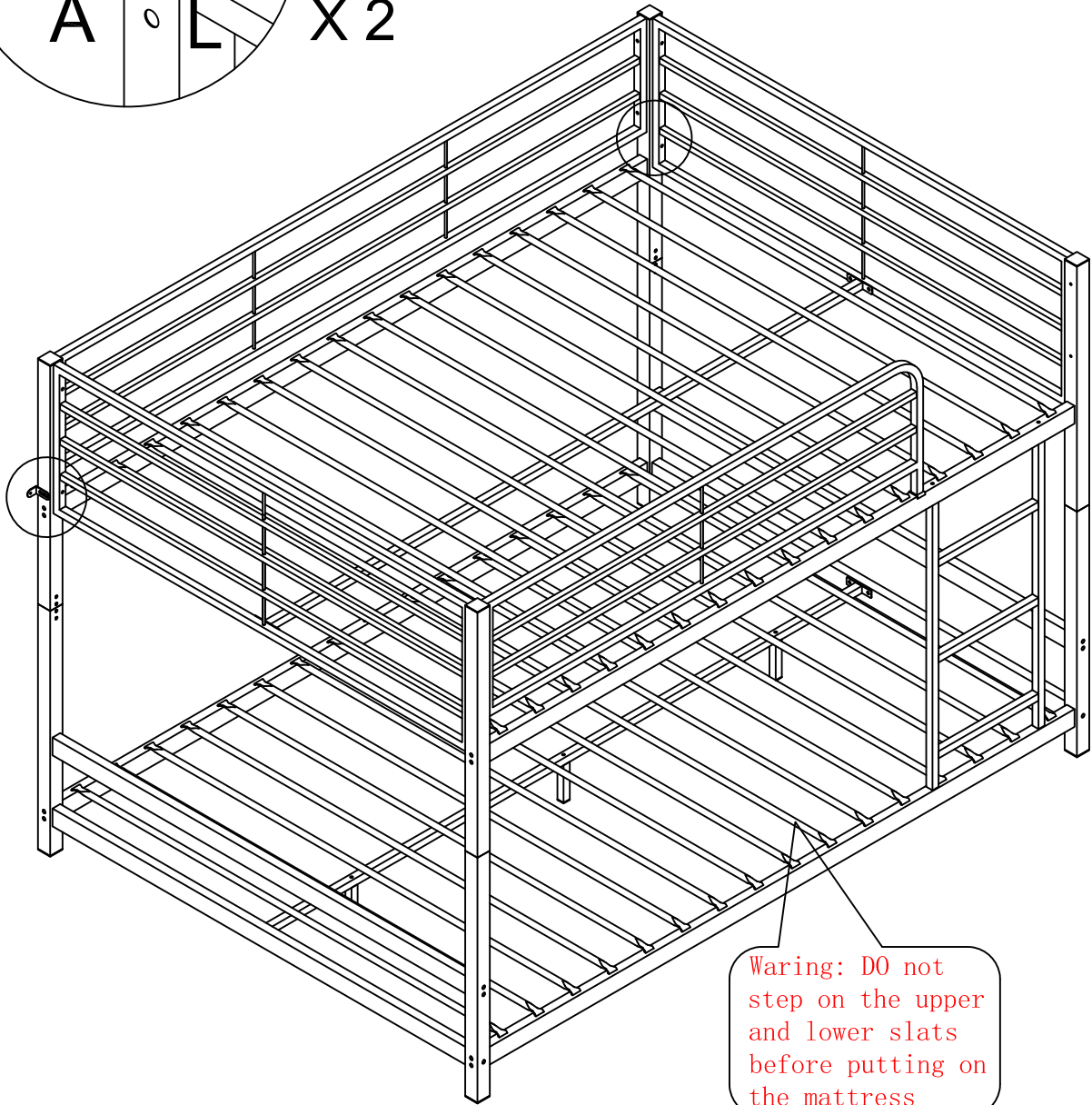
Put on the Ladder by using Screw D

CODE	HARDWARE	QTY
D		4





STEP 9 Secure Bed to the Wall



X 2



Attach bed to the wall for extra stability by using Connector (J) with Expansion bolt (K) and screw (L) .This step is optional.

CODE	HARDWARE	QTY
A		2
J		2
K		2
L		2