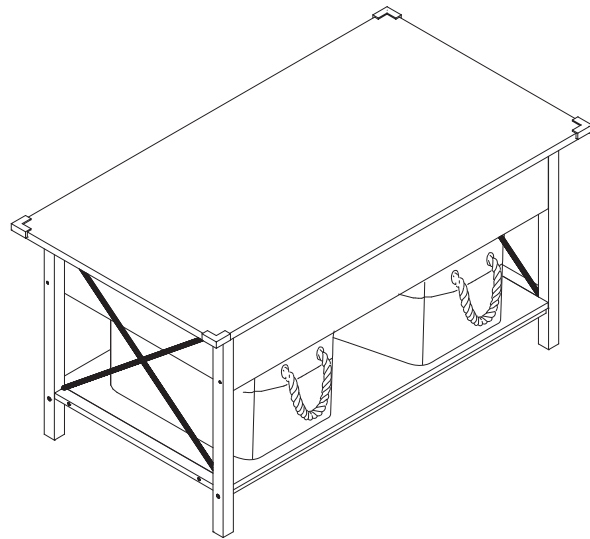


COFFEE TABLE

Assembly Instructions



Hi! My master! I am so happy to be picked up by you.
Are you ready to start the new journey with me,
this cute coffee table?

Before we get started with assembly, let me give you a simple tour for the hardware and parts we shall be acknowledged with.

There you go.

(Warm Reminder: please take out all the parts/hardware and carefully examine if all the components are intact. if you have a power drill, it will make the assembly process much easier and quicker while pls treat the screws gently during drilling via power drill or over-drilling will lead to the cracks of the particleboard.)

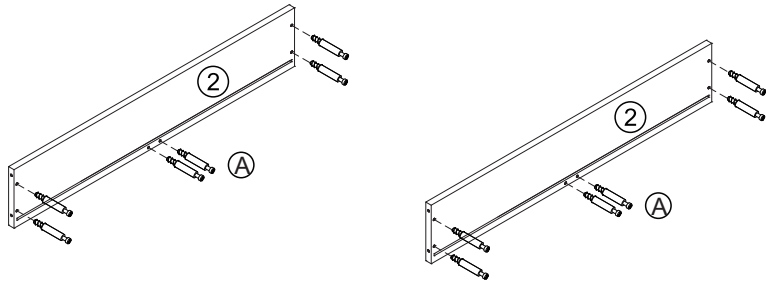
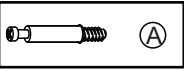
Parts Family

① × 1 	② × 2 	③ × 1
④ × 1 	⑤ × 1 	⑥ × 1
⑦ × 1 	⑧ × 2 	⑨ × 2

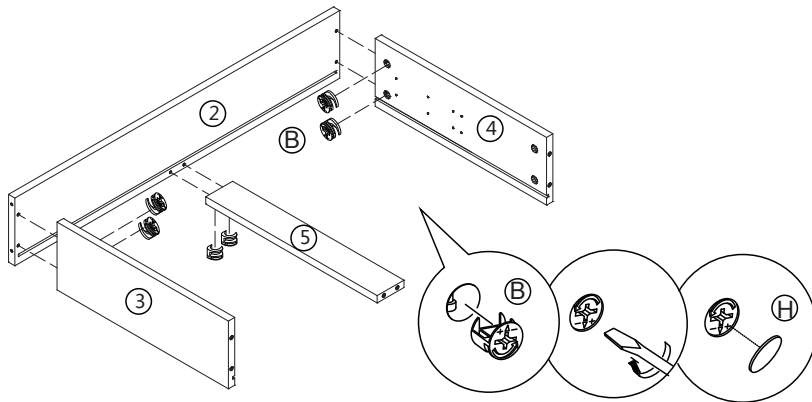
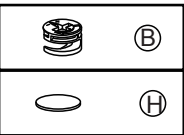
Hardware Family

Ⓐ × 12 	Ⓑ × 12 	Ⓒ × 4 	Ⓓ × 4
Ⓔ × 1 	Ⓕ × 26 	Ⓖ × 4 	Ⓗ × 8
Ⓘ × 12 	Ⓙ × 4 	Ⓚ × 1 	

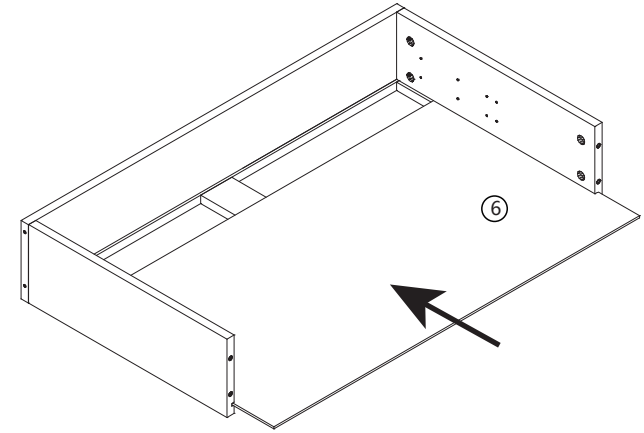
Step 1 Group One—The Hidden Compartment.



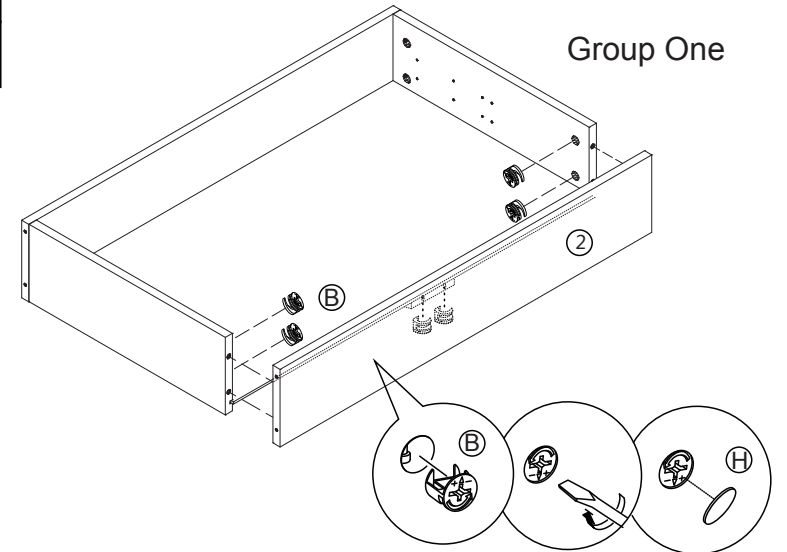
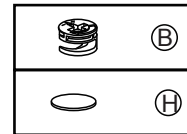
Step 2



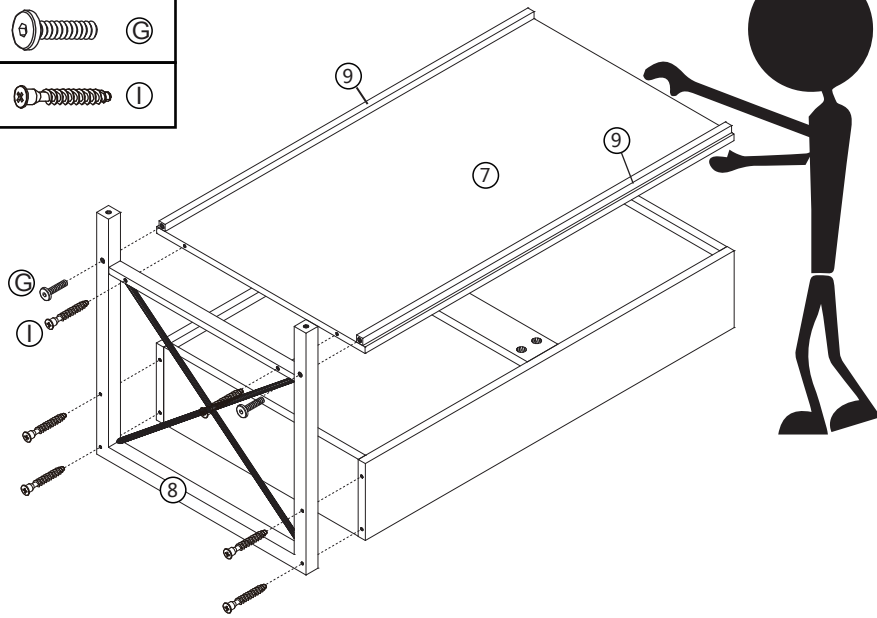
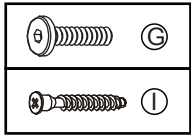
Step 3



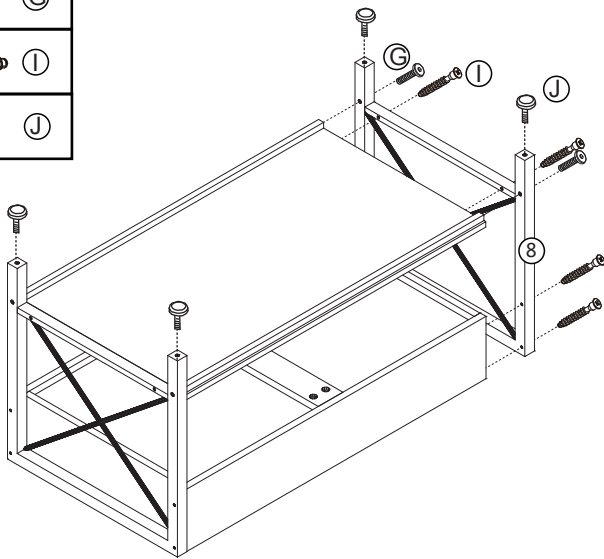
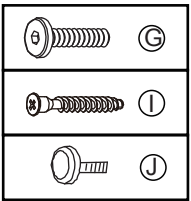
Step 4



Step 5 Group Two: Connecting Pre-assembled Side Frames With Bottom Shelf And Hidden Compartment

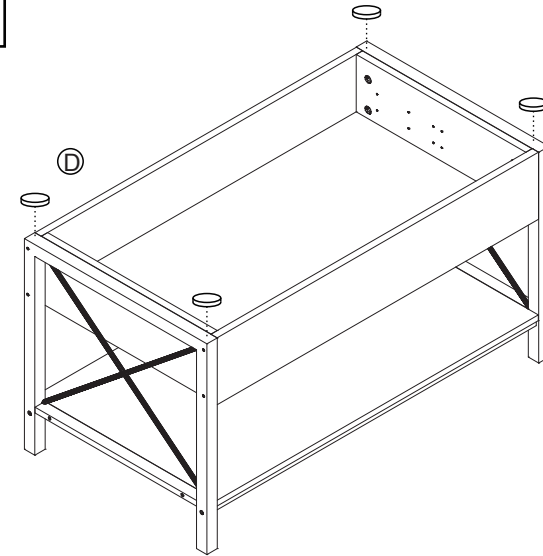
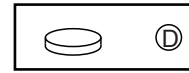


Step 6

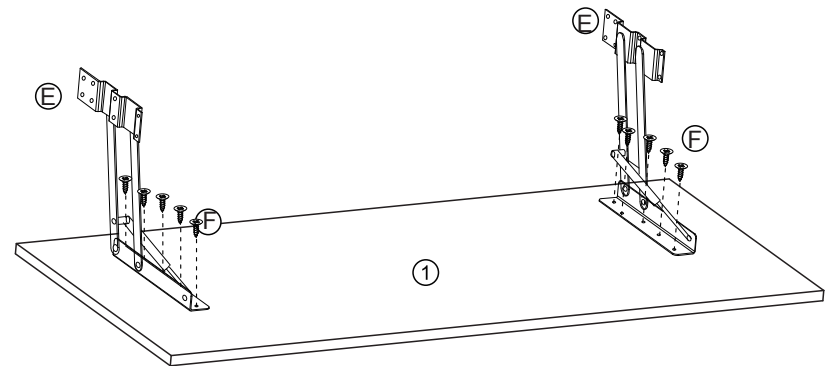


5/8

Step 7

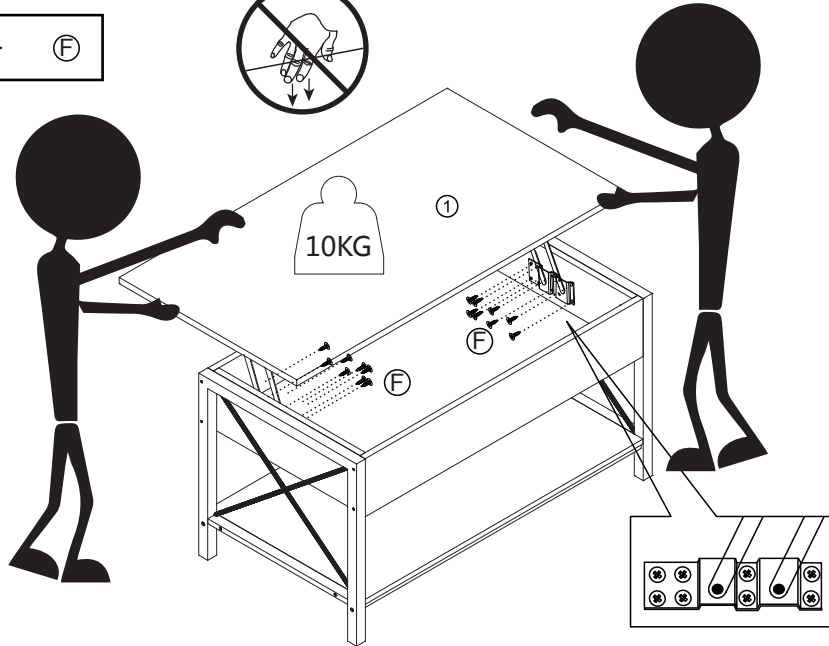


Step 8

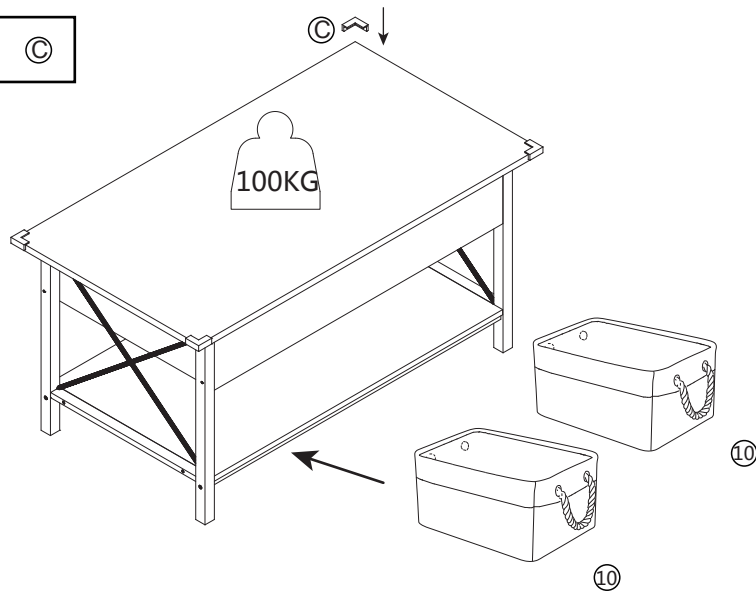
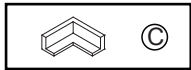


6/8

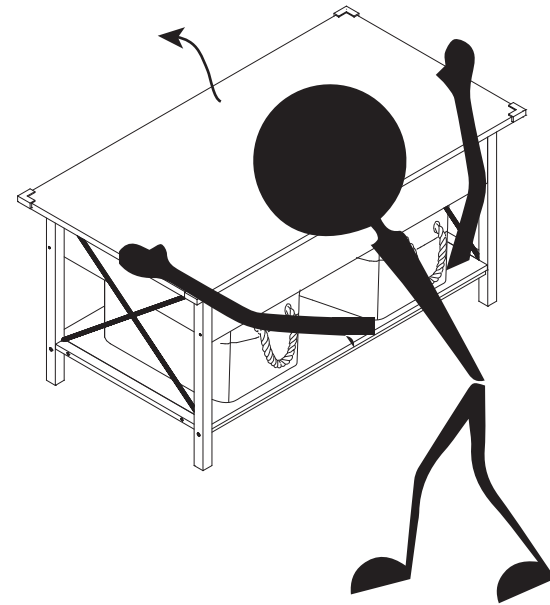
Step 9 Group Three: Have Tabletop Assembled.



Step 10



Step 11 To realize lifting mechanism in a balanced way.



Note: If there is any part arrived damaged or defective or missed up, please feel free to contact via Amazon or our aftersales email "support@vingli.com".

We are happy to work out the satisfied solution for you. Pictures if you could provide to us would be highly appreciated for saving return hassle as well as the sake of saving carbon dioxide emissions.

Thanks for your great efforts to the environment protection advance. Hope this lovely coffee table could be a durable addition to your warm family!