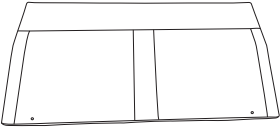
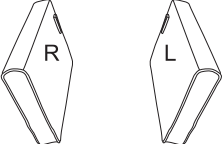





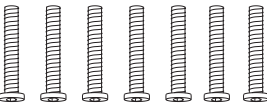






Assembly Instruction

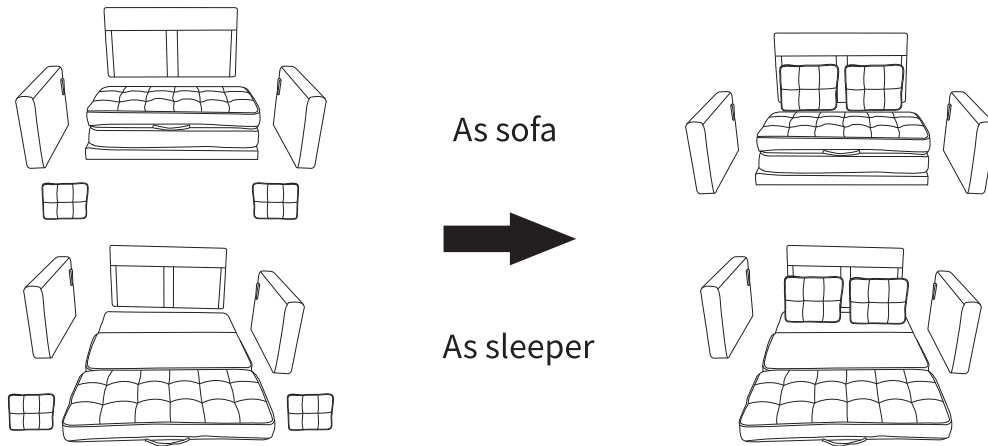
Importance Notice: As our seat cushion and back cushion are squeezed by vacuum packaging, they would not be returnable once opened up. Thus, please kindly use the backframe (Part A) and seat frame (Part C) to measure its size as well as feel the seating cushion's (or say Part C) comfortness fits or not firstly then decide to open the vacuum packages (cuz the squeezed sleeper cushion owns the same inner structure as Part C's) to avoid unnecessary return failures due to not applicable. Thanks for your understanding and cooperation.

ALL THE PARTS YOU NEED FOR

NO	PARTS	DESC	QTY
A		BACK FRAME	1 PC
B		ARM REST	2 PCS
C		SEAT FRAME	1 PC
D		SEAT CUSHION	1 PC
E		BACK CUSHION (Inside Part B)	2 PCS
F		LEGS	5 PCS
G		GASKET	5 PCS
H		BOLT	6 PCS +1
I		WASHER	6 PCS +1

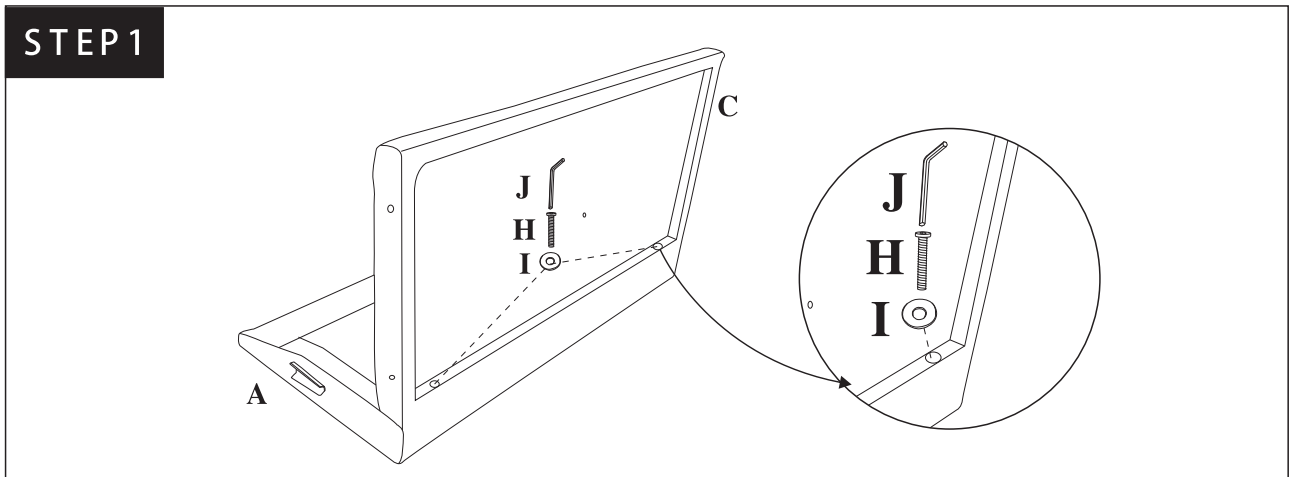
NO	PARTS	DESC	QTY
J		ALLEN KEY	1 PC

Quick Review for the Construction

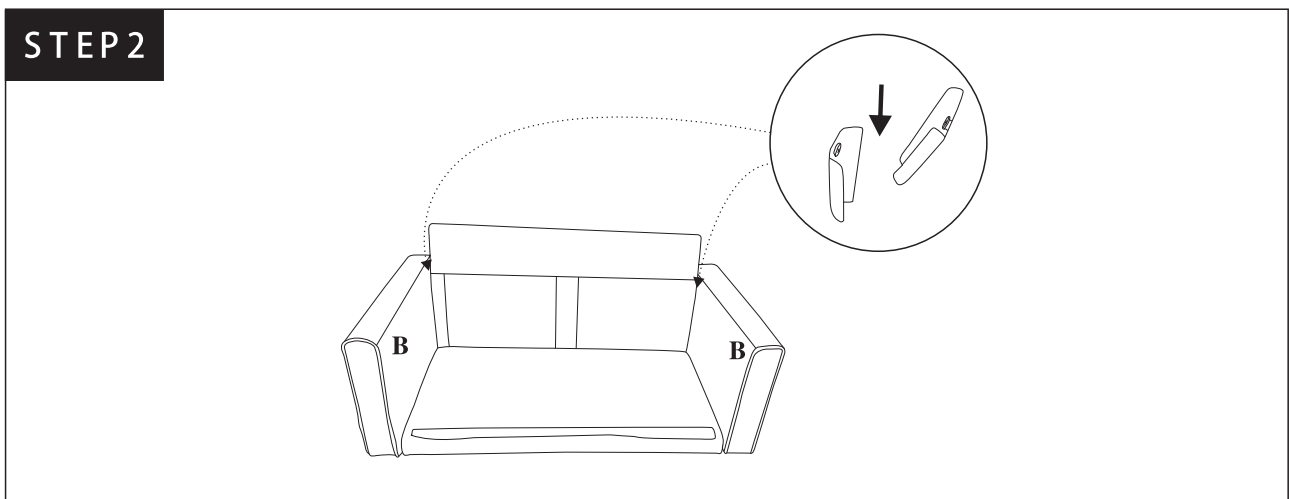


Let us start with building up the main frame of the sofa, are you ready? Let's go!

Step 1: Have the back Frame (Part A) and Seat Frame (Part C) connected using Bolt (Part H) and Washer (Part I).



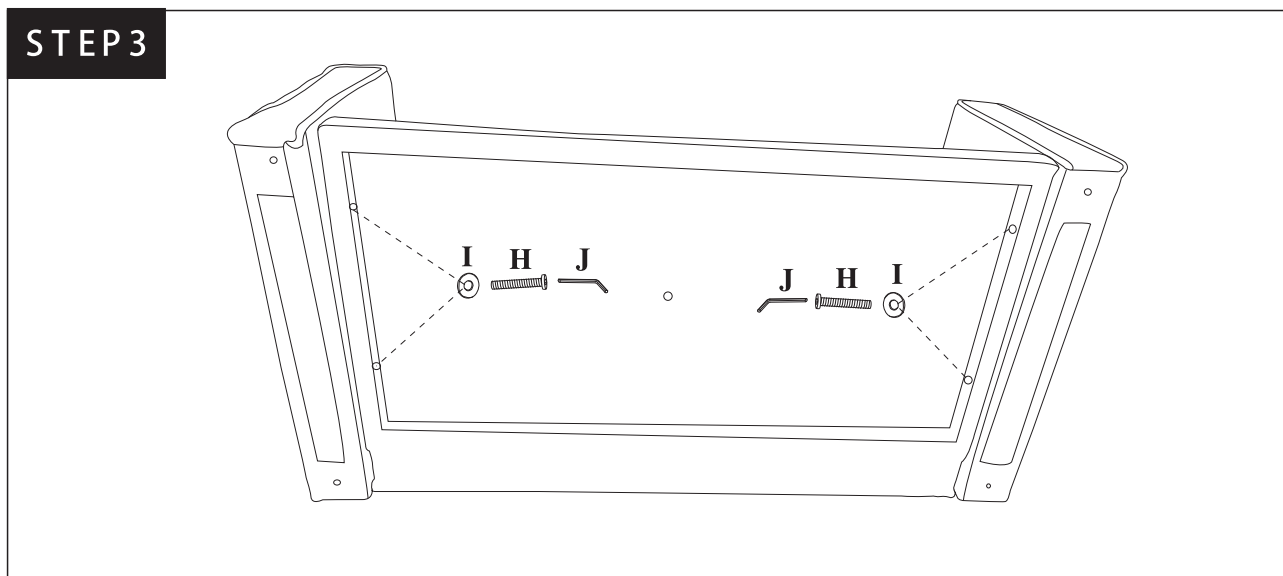
Step2: Slide the Armrest Frame(Part B) into the two sides of the above body once you done with step one.



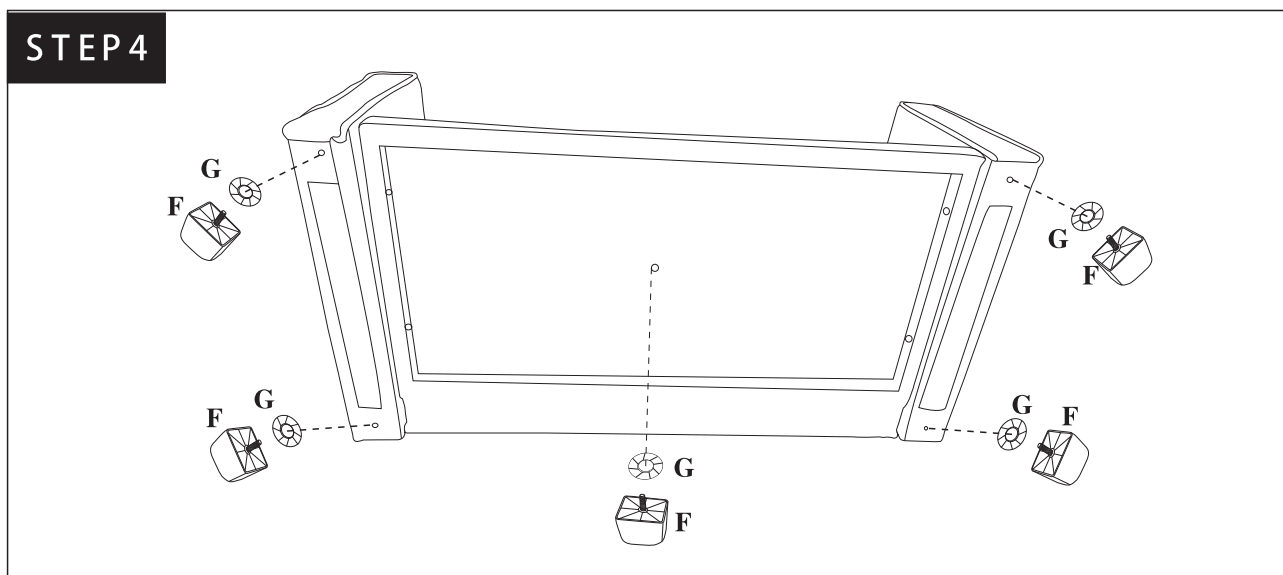
Until Now, you could check if the size works fine for your space and if the part C's comfortness meets your expectation, then you could decide to have the squeezed cushions dismantled (cuz the squeezed sleeper cushion owns the same inner structure as Part C's). As once the squeezed packages opened, they are **unreturnable**.

Hope you find the right sofa for your space. Then let us continue the following procedures:

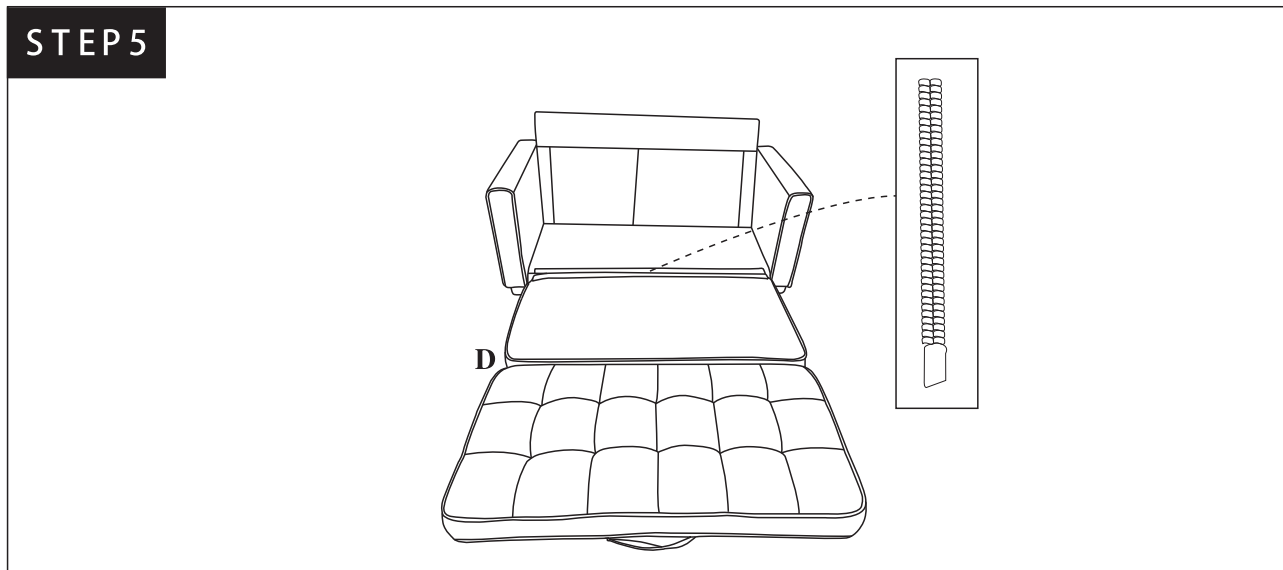
Step 3: Fix the bottom frame along with armrests



Step 4: Have the foots attached, don't forget the one in the middle~

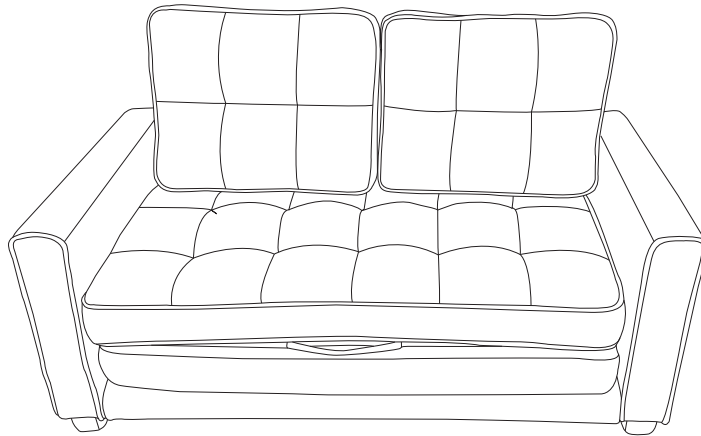


Step 5: Zip the foldable seat cushion



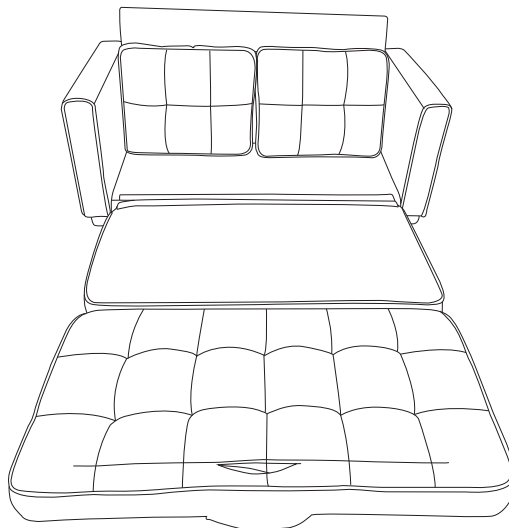
Well done!
A cute Loveseat Sofa

STEP 6



A lazy floor sleeper

STEP 7



Need Supports?

My dear customer, should you need any helps, please feel free to reach out to us anytime via Amazon or our aftersales support email (support@vingli.com) You're highly appreciated to offer us the pictures to check should you receive our sofa with any damages occur. Thanks for your cooperation.

Take care and stay safe~