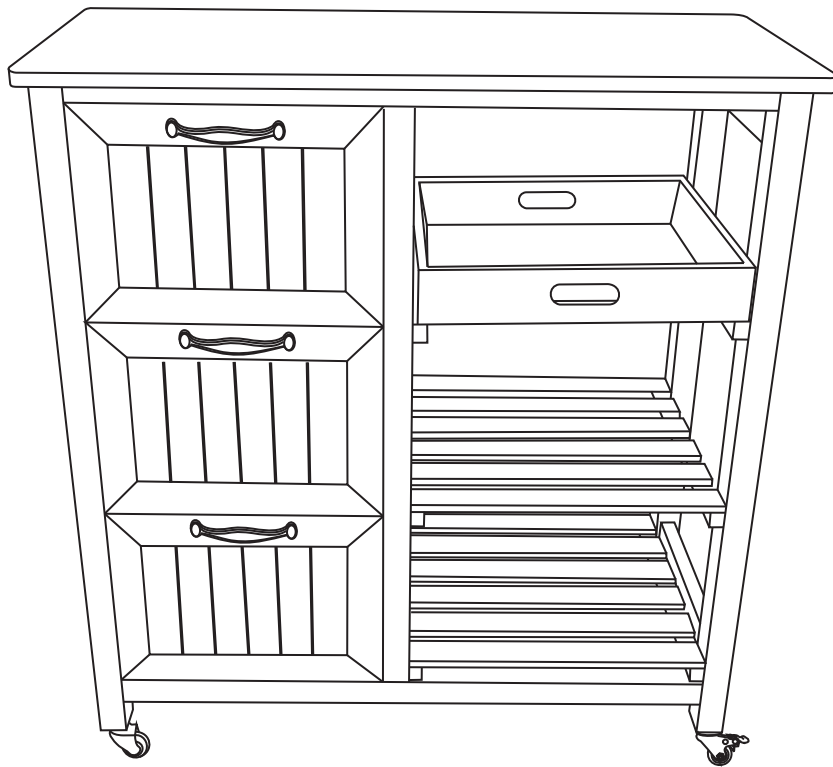




Kitchen Island Cart

ASSEMBLY INSTRUCTION FOR MODELS
KCI0TSB



Thank you for purchasing from VINGLI!

Please contact us via email if parts are missing or damaged, we will gladly ship your replacement parts free of charge. Please attach your Order ID so that we can assist you better.

✉ EMAIL

🌐 WEBSITE

⚠ IMPORTANT

support@vingli.com

www.vingli.com

Please follow the instruction manuals and use a pad to avoid damage during assembly

ATTENTION AND WARNING

Attention



For easier and better assembly, **2** or more adults are required.



The expected assembly time for this product is **1.5h**, depending on the individual's manipulative ability.

Warning



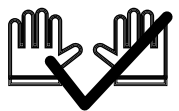
Not intended for use by children. Please keep your children closely supervised.



Keep away from fire or other heat sources.



Do not use harsh cleaner for cleaning!



We recommend wearing protective gloves for assembly.



Identify, sort and count the parts before assembly.

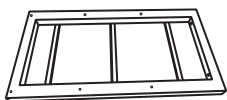


The warning, cautions and instructions listed in this manual may not cover all possible situations that may arise when using the product. Please contact us via support@vingli.com if you need further help.

PART LIST

Board Panel List

A x1



B x1



C x2



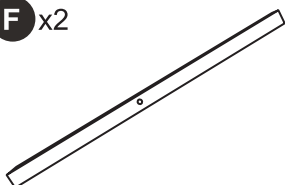
D x2



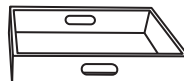
E x1



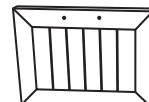
F x2



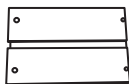
G x1



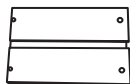
H x3



I x3



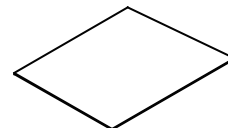
J x3



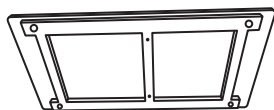
K x3



L x3

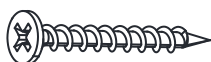


M x1

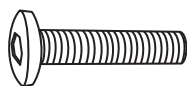


Hardware List

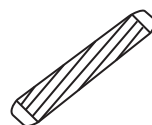
a x24 $\phi 4 \times 30 \text{ mm}$



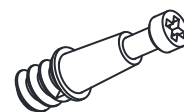
b x8 $\phi 6 \times 45 \text{ mm}$



c x6



d x12



e x12



f x6 $\phi 4 \times 18 \text{ mm}$



g x3



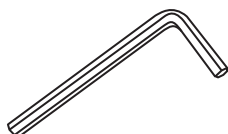
h x2



i x2



j x1 Assembly Tool



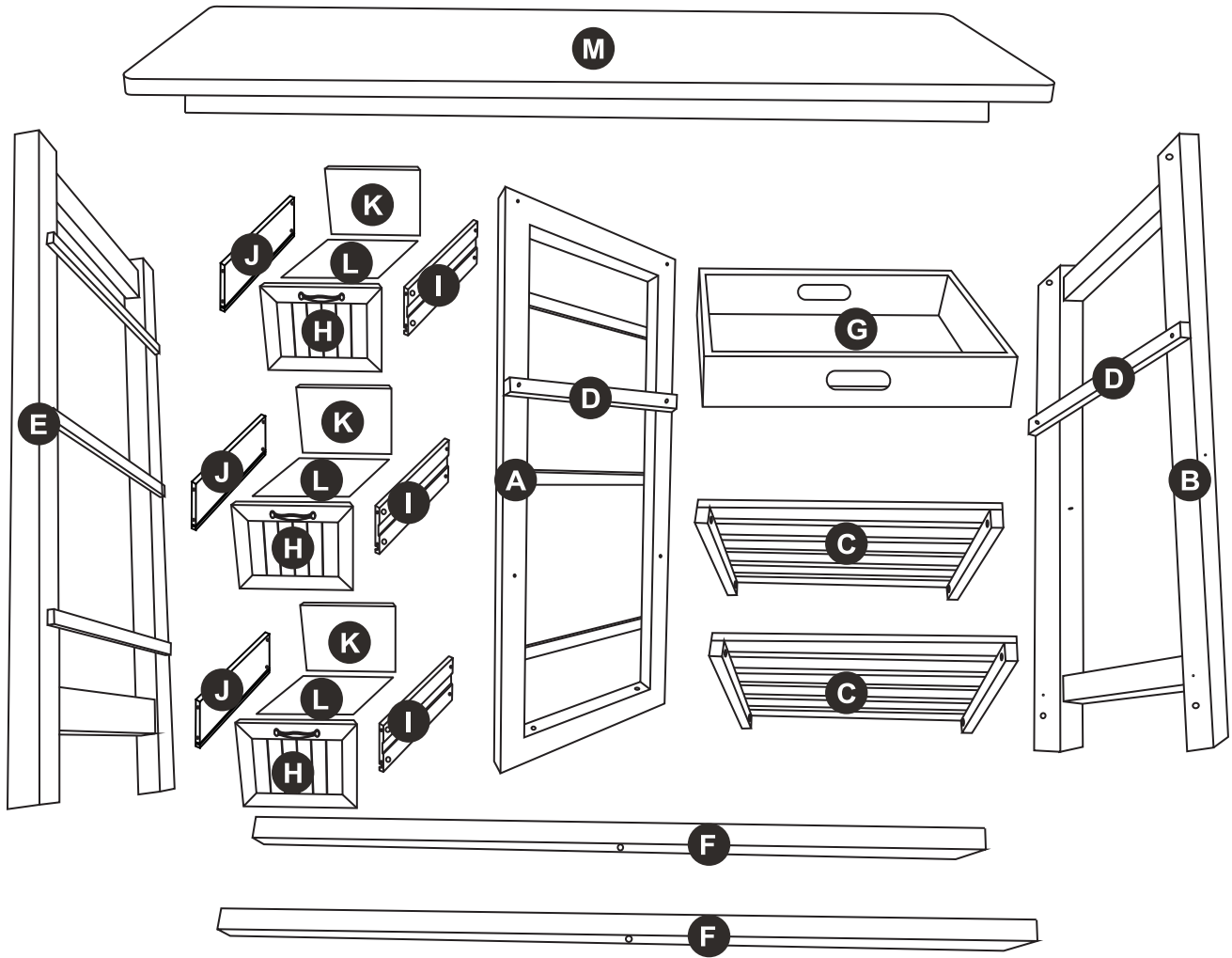
m x4 $\phi 6 \times 60 \text{ mm}$



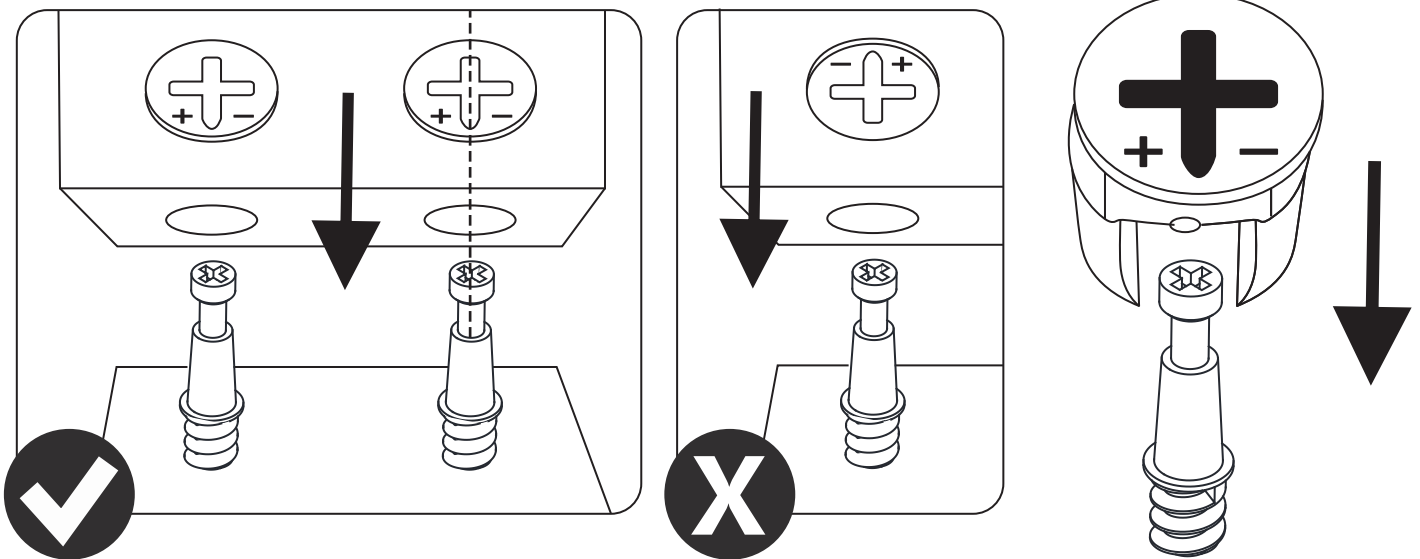
n x4 $\phi 10 \times 15 \text{ mm}$



IDENTIFY PARTS



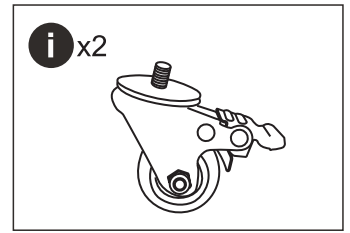
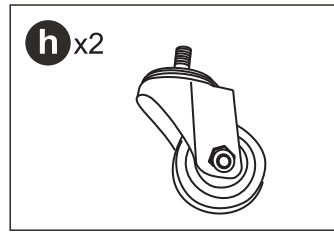
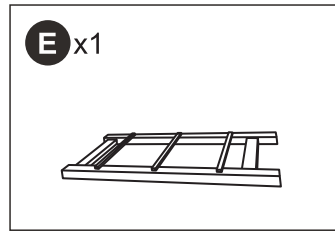
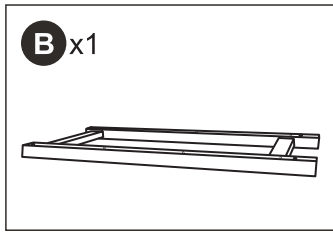
INSTALLATION NOTES



Please place the cam lock according to the direction of the arrow

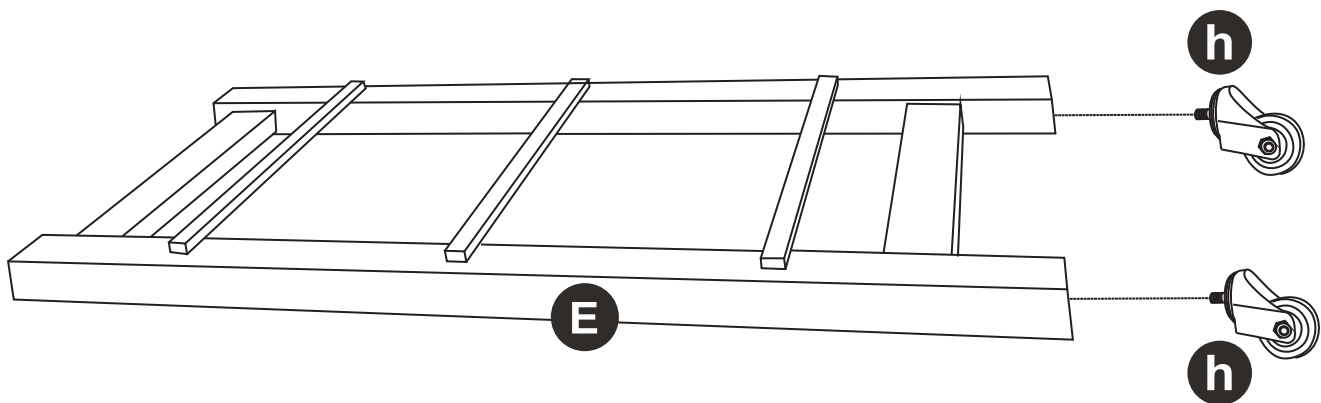
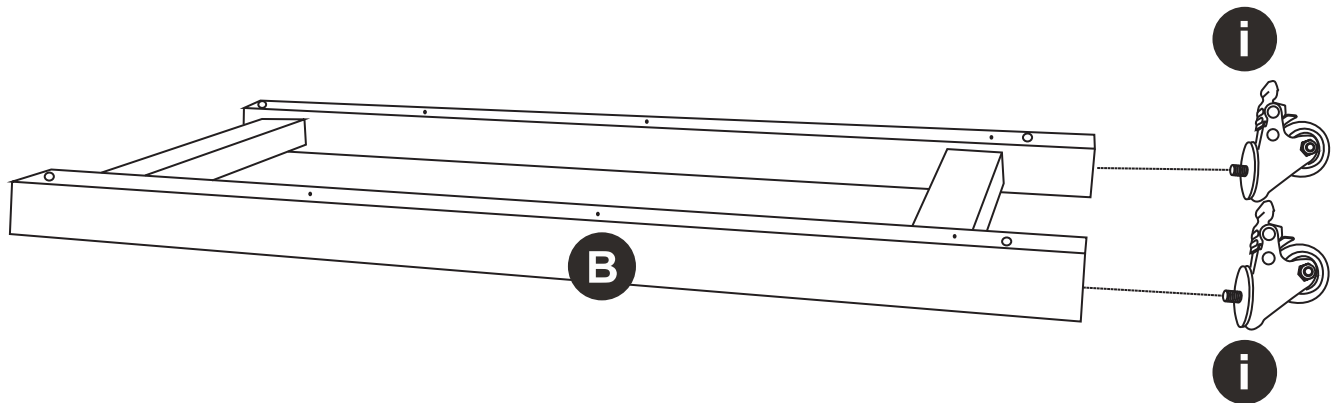
ASSEMBLY STEPS

New panels & accessories needed in below step



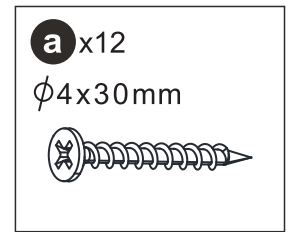
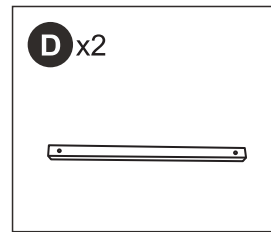
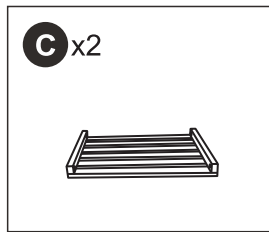
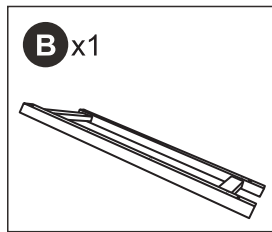
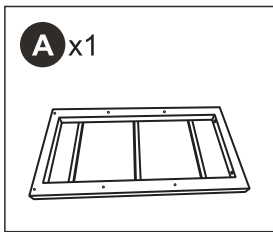
STEP 1

Screw 4 Casters (i & h) to Side Panel (B & E)



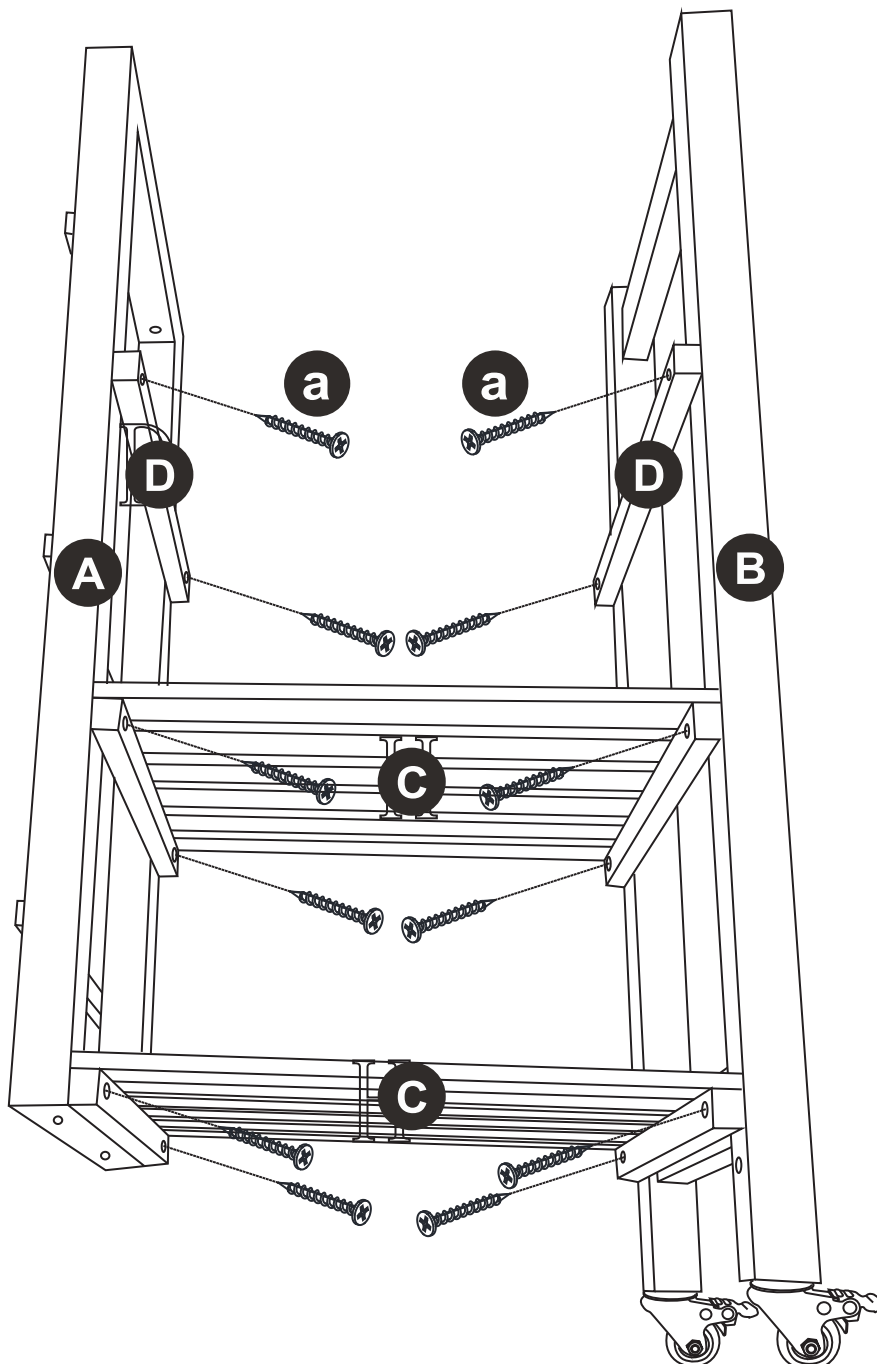
ASSEMBLY STEPS

New panels & accessories needed in below step



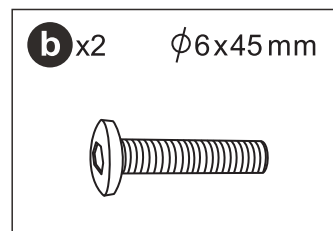
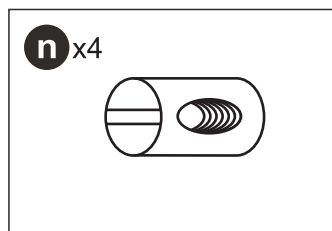
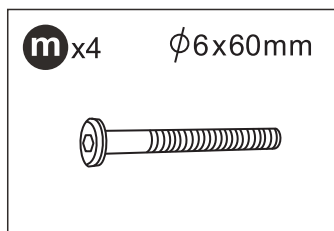
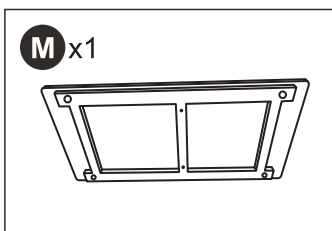
STEP 2

Attach 2 Shelves(C) and pieces (D) to Middle Panel (A) and Right Side Panel (B) with screw (a)



ASSEMBLY STEPS

New panels & accessories needed in below step

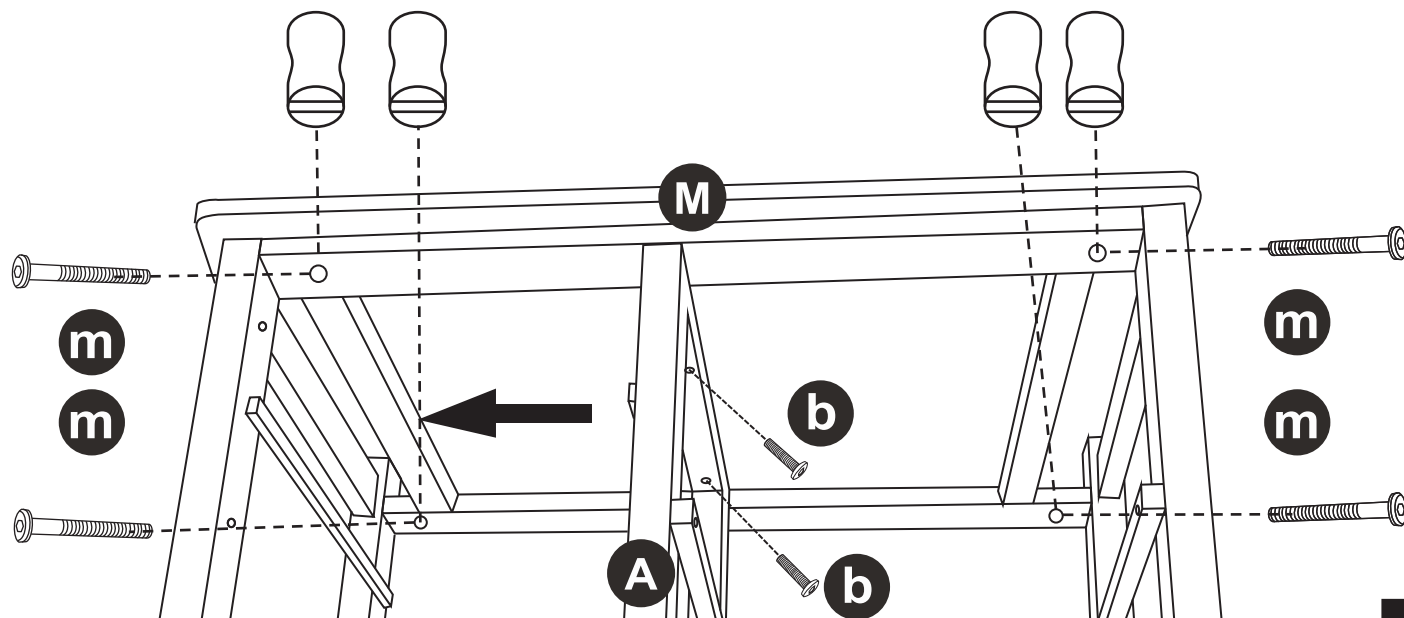
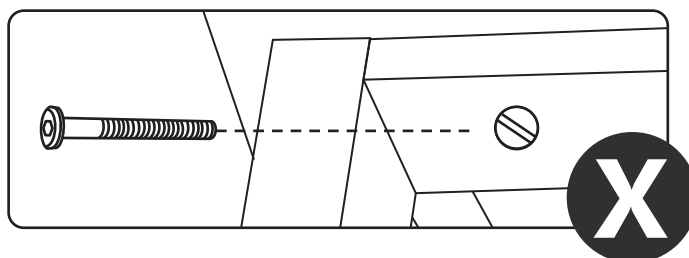
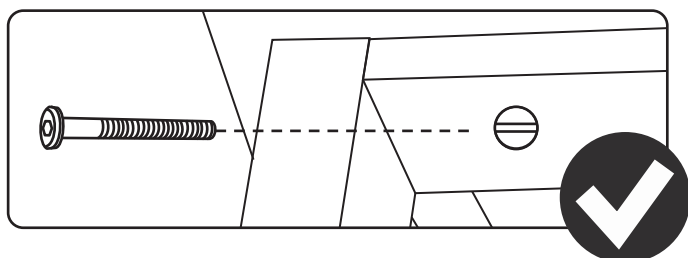
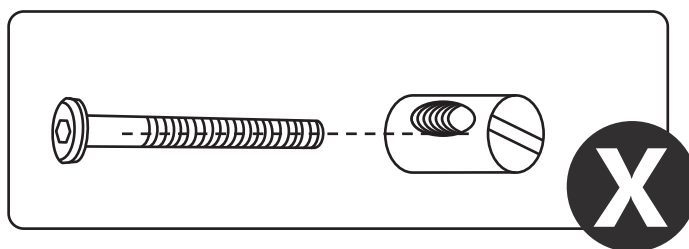
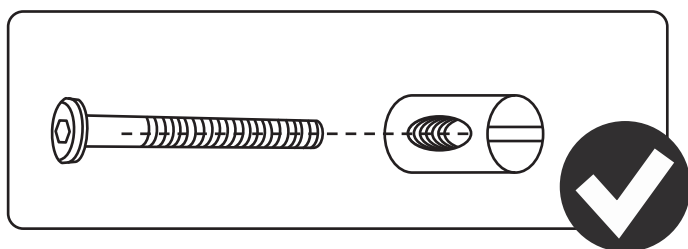


STEP 4

Put Cam Lock (n) into Top Panel (M) and Screw (m) into Side Panel (B & E)

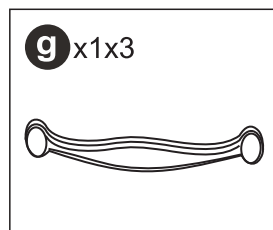
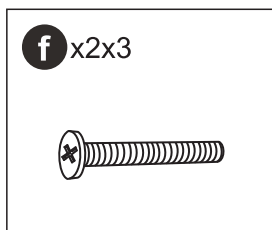
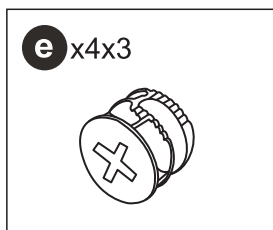
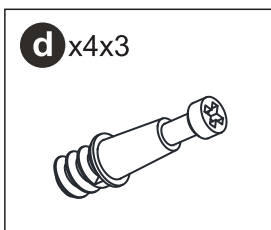
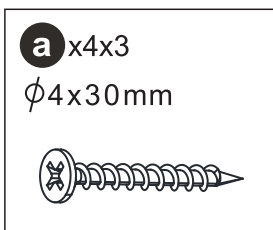
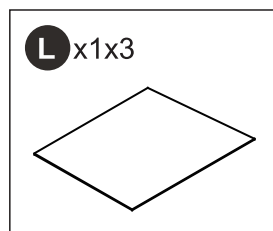
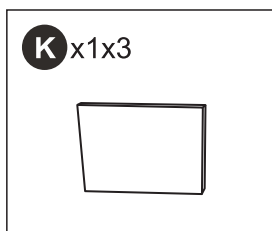
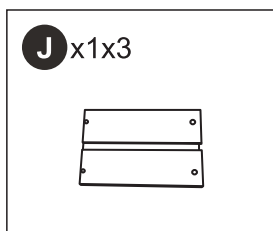
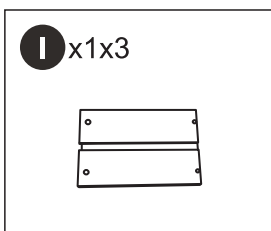
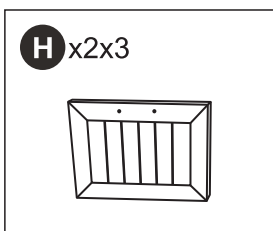
Note: Please place the cam lock according to the direction of the horizontal line

Attach Top Panel (M) to Side Panel (B & E) with Cam Lock (n) and to Middle Shelf (A) with screw (b)



ASSEMBLY STEPS

New panels & accessories needed in below step



STEP 5

Step 5-1

Attach Drawer Side Panel (I & J) to Back Panel (K) with screw (a)

Step 5-2

Slide Drawer Panel (L)

Step 5-3

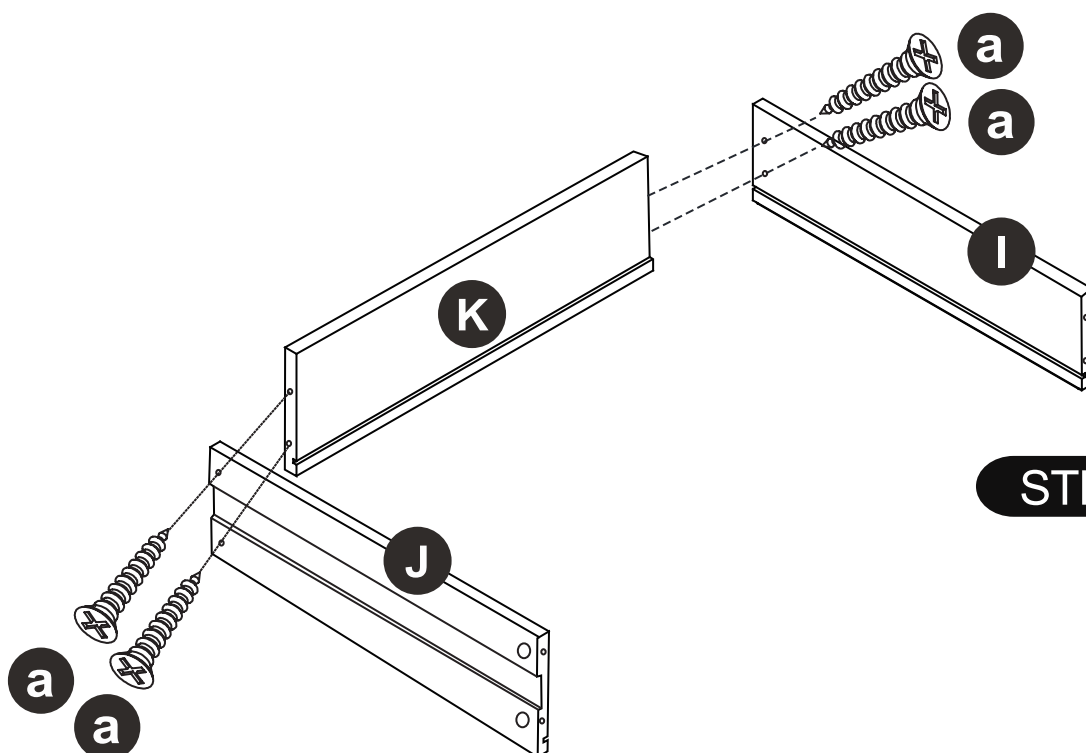
Put screw (d) into Drawer Front Panel (H) for next assembly

Step 5-4

Attach Drawer Front Panel (H) to Unit from Step 5-2 with cam lock (e)

Step 5-5

Attach Drawer Handle to the Front Panel (H) with screw (f)

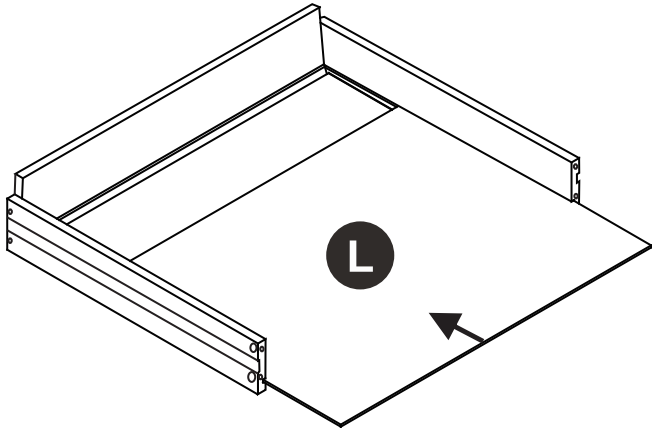


STEP 5-1

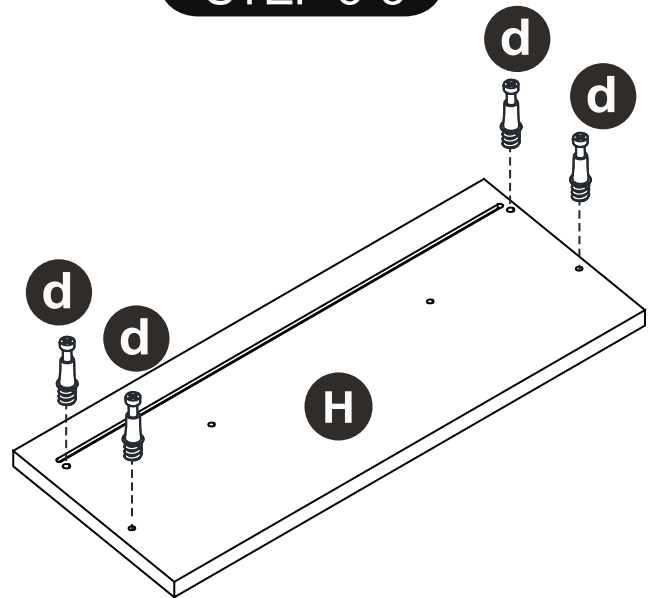
ASSEMBLY STEPS

New panels & accessories needed in below step

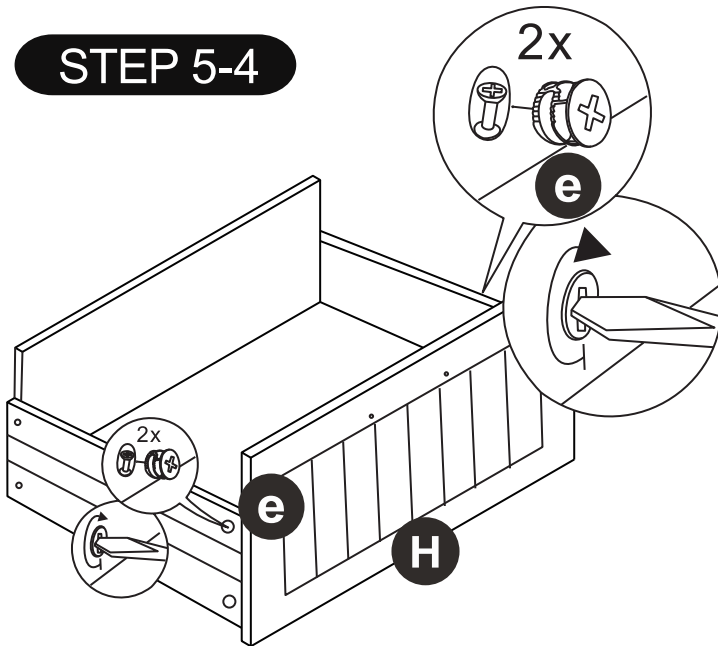
STEP 5-2



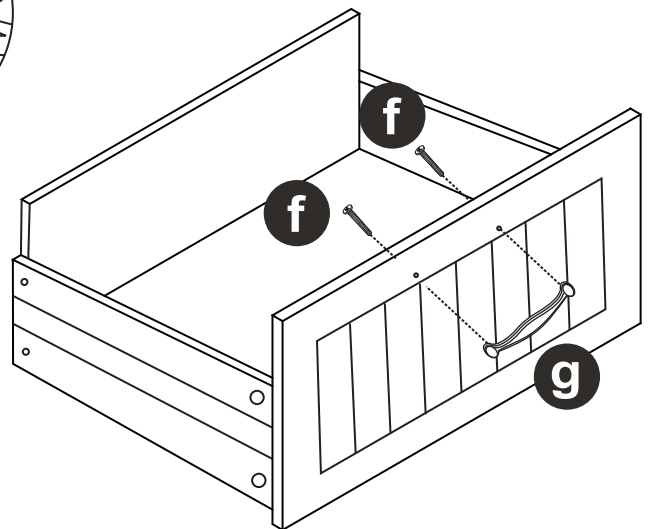
STEP 5-3



STEP 5-4

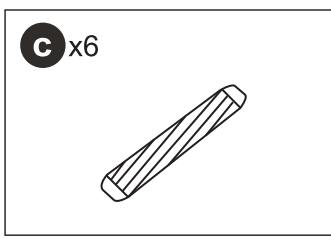


STEP 5-5



ASSEMBLY STEPS

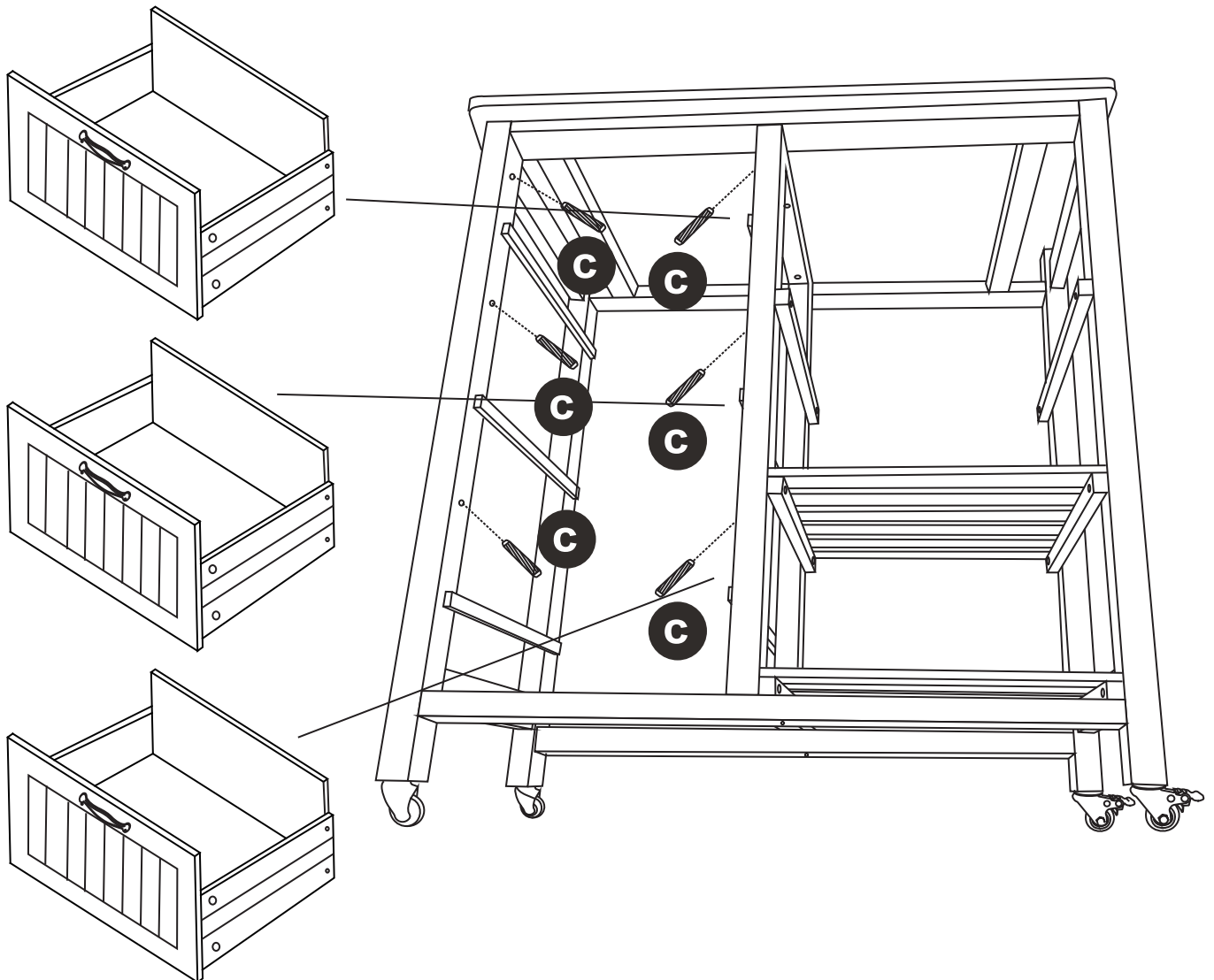
New panels & accessories needed in below step



STEP 6

Slid the 3 drawers to Unit from Step 5 then put into wood drawer stops (c)

NOTE: When installing the drawer, you need to tilt the end of the drawer upwards, and then push the entire drawer in



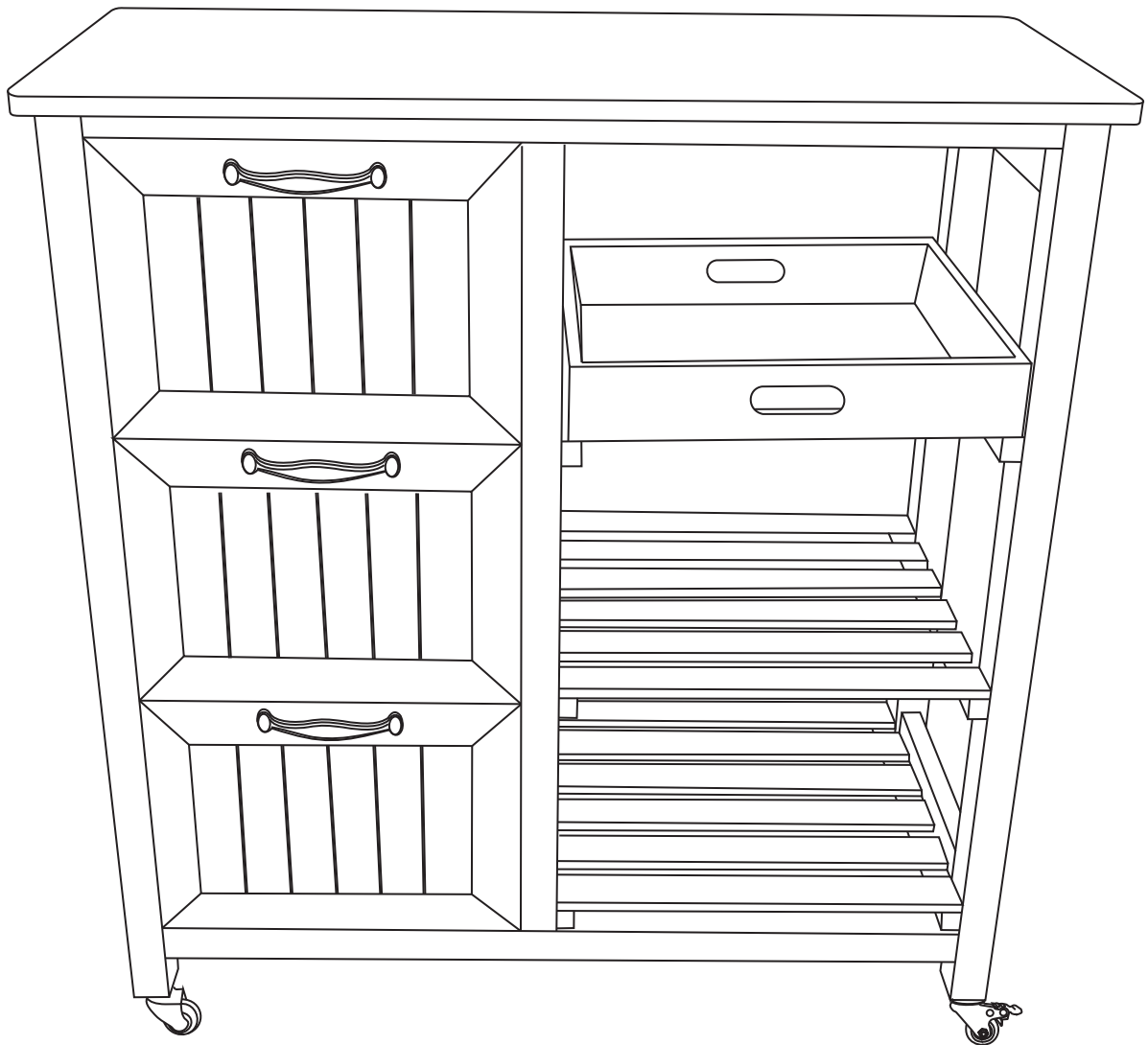
MAXIMUM LOAD

This unit is designed to support the maximum load as shown. Exceeding this load limit could cause sagging instability, collapse and serious injury.



Tabletop Load Bearing **110lbs/50kg**

Drawers and shelves Load Bearing **550lbs/25kg**





Share your shopping experience with friends and families.



Get Free Products!

If your advice on either our product or instruction is taken, a free gift will be provided!



For any questions or feedback, please email us with your order ID.
We are always striving to improve.

✉ support@vingli.com

🌐 www.vingli.com