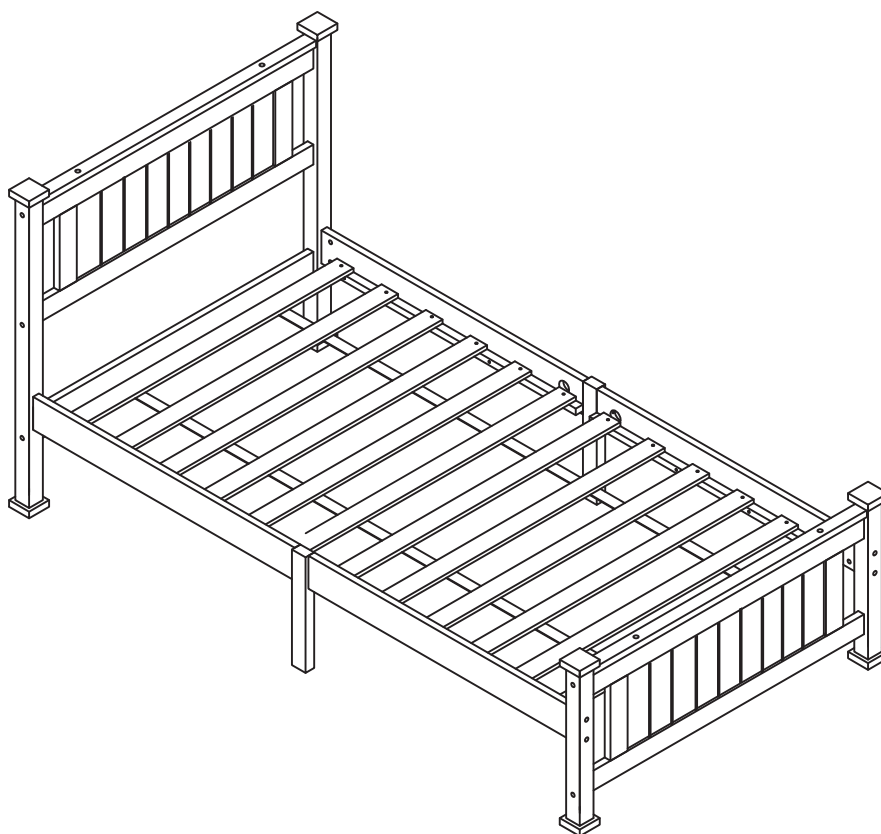




VINGLI WOOD BED

ASSEMBLY INSTRUCTION FOR MODELS
PBOPWTW



Thank you for purchasing from VINGLI!

Please contact us via email if parts are missing or damaged, we will gladly ship your replacement parts free of charge. Please attach your Order ID so that we can assist you better.

✉ EMAIL

🌐 WEBSITE

⚠ IMPORTANT

support@vingli.com

www.vingli.com

THIS INSTRUCTION BOOKLET
CONTAINS IMPORTANT SAFETY
INFORMATION. PLEASE READ
AND KEEP FOR FUTURE
REFERENCE.

RETURN & WARRANTY

Thank you for choosing our product!

We would like to take this opportunity to thank you for choosing VINGLI.

We hope that you are completely satisfied with your purchase, and enjoy it for years to come.



support@vingli.com

Your satisfaction is our highest pursuit.

Return Policy

VINGLI believes you will absolutely love your wood bed, but if for some reason you want to return the product, please contact us directly before you decide to return your product to the retailer. Our Customer Service organization can answer most concerns and can assist you with any questions you may have about your new product. Please contact us first by emailing support@vingli.com or by submitting a request at <https://www.vingli.com>

The item must be returned in good condition, in original box, with all original proof of purchase, parts and accessories, within the time frame specified by the retailer it was purchased from.

Warranty

VINGLI warrants this product to be free from defects in material and workmanship agrees to remedy any such defect. This warranty covers one year from the date of original purchase. This is solely limited to be repair or replacement of defective parts and no assembly labor is included.

This warranty does not apply to any product which has been improperly assembled, subjected to misuse or abuse or which has been altered or repaired in anyway.

Components repaired or replaced warranted through the remainder of the original warranty period only. The defective components will be repaired or replaced without charge, subject to the terms and conditions described above.

For help with assembly, identifying parts, product information or to order parts, please contact us via support@vingli.com.

BEFORE STARTING

Before Using Product



- Read each step carefully before starting. It is very important that each step is performed in the correct order. If these steps are not followed in sequence, assembly difficulties will occur.



- Make sure all parts are included. Most board parts are labeled or stamped on the raw edge.

- Have the following tools.



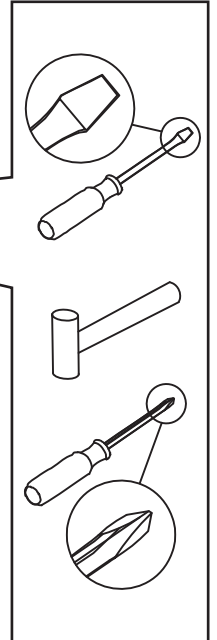
- Recommended # of people needed for assembly: 2 (however it is always better to have an extra hand). Estimated assembly time is 2.5hours.



- Work in a spacious area and near where the unit will be used, preferably on a carpet, or use a piece of the cardboard packaging to protect your floor and product.



- For a smooth assembly process, we suggest you keep a lite tightness for all the screws during assembly. After the whole product is assembled, firmly tighten all the screws.

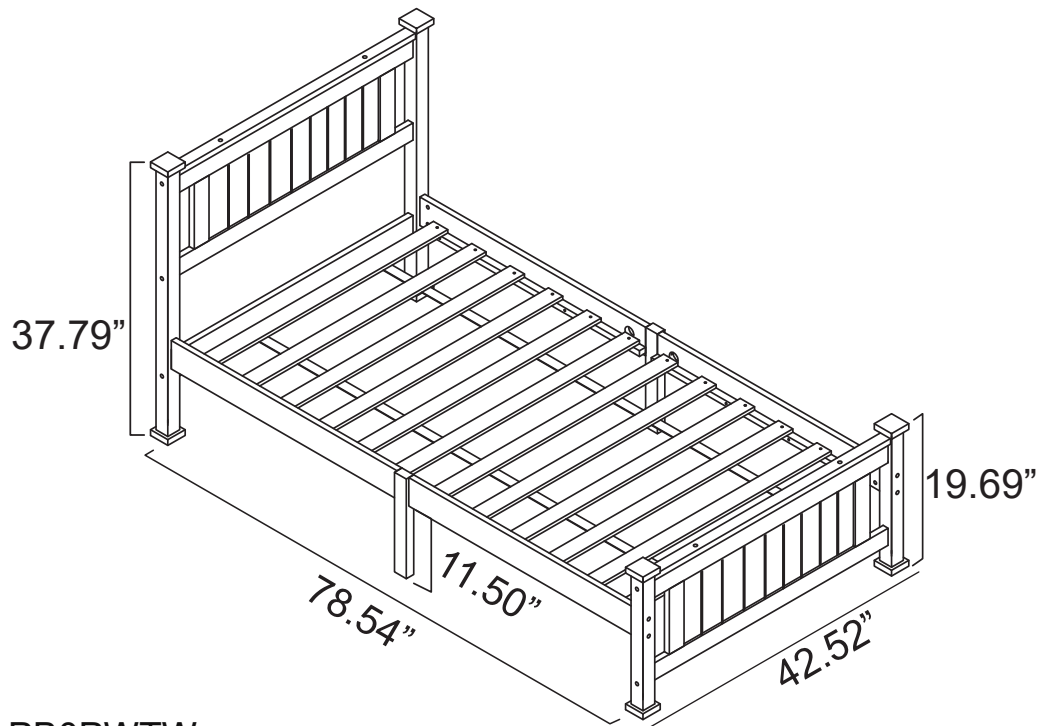


WARNING:

- Do not allow children to climb on unit
- Serious or fatal crushing injuries can occur from furniture tip-over. To prevent this furniture from tipping over, it must be permanently fixed to the wall. Fixing devices for the wall are not included since different wall materials require different types of fixing devices. Use fixing devices suitable for the walls in your home. For advice on suitable fixing systems, contact your local specialized dealer.
- Avoid sharp objects or corrosive chemicals to prevent damage to the product
- During assembly, keep parts and packaging materials away from children and pets as there could be potential injury and choking hazards.

MODEL & ASSEMBLY TIPS

Applicable Model



MODEL: PB0PWTW

DIMENSION Outside Dimensions:

78.54"L x 42.52"W x 37.79"H (Headboard) x 19.69"H (Footboard)

Inner Frame Size: 38.98"Wx73.94" L

FEATURES 100% Solid Pine Wood with White Paint

Load-Capacity: 264.5lb



Estimated Time for Assembly

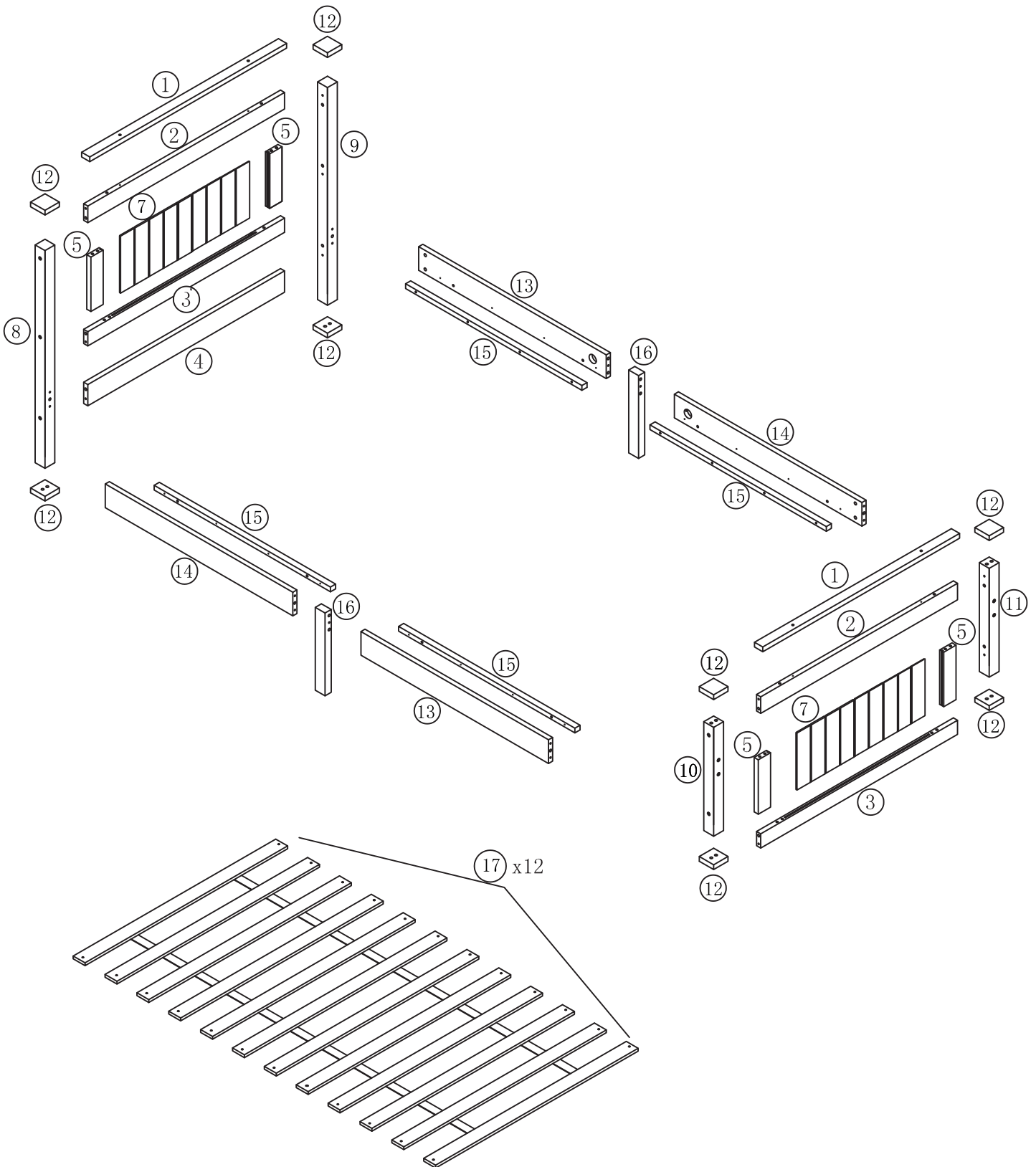
70 mins

Caution:

- 1.This product is designed for home use and not intended for commercial use.
- 2.This product contains small components. Please ensure that they are kept away from small children.
- 3.Be careful when using power tools to assemble your furniture. Power tools may strip or damage the parts




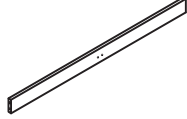

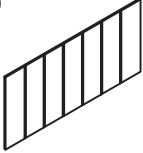





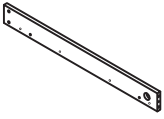
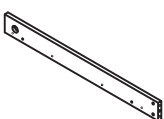
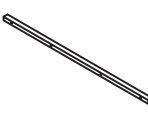

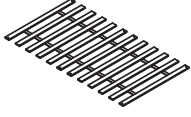
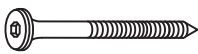

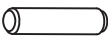
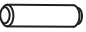


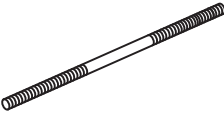



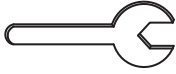


IDENTIFY PARTS

All in 1 big box!



PART LIST

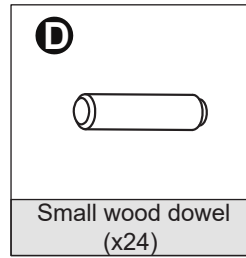
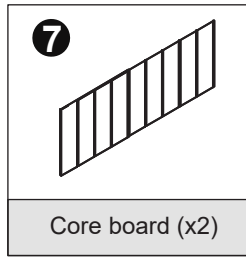
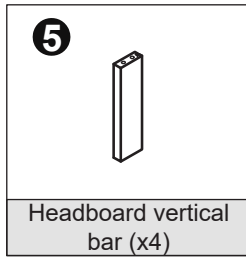
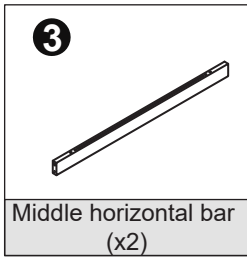
Notice: This model no need #6 panel, not missing

 Headboard Upper Cover (x2)	 Upper horizontal bar (x2)	 Middle horizontal bar (x2)	 Headboard base cross panel (x1)	 Headboard vertical bar (x4)
 Core board (x4)	 Head left leg (x1)	 Head right leg (x1)	 Foot left leg (x1)	 Foot right leg (x1)
 Wood cap (x8)	 Side beams (x2)	 Side beams (x2)	 Side support bar (x4)	 Middle support leg (x2)
 Wood slat (x1)	 Screw(x18)	 Self-locking(x18)	 Large wood dowel (x38)	 Small wood dowel (x32)
 Large self-tapping screw(x28)	 Small self-tapping screw(x24)	 Connecting rod(x2)	 Crescent washer(x4)	 Nut(x4)
 Allen Key (x1)	 Wrench(x2)	 Hole cover(x36)	 Glue(x1)	

**TOOLS NEEDED FOR ASSEMBLY: FLAT & PHILIPS SCREWDRIVER (NOT INCLUDED)
THE USE OF POWER SCREWDRIVER IS NOT RECOMMENDED**

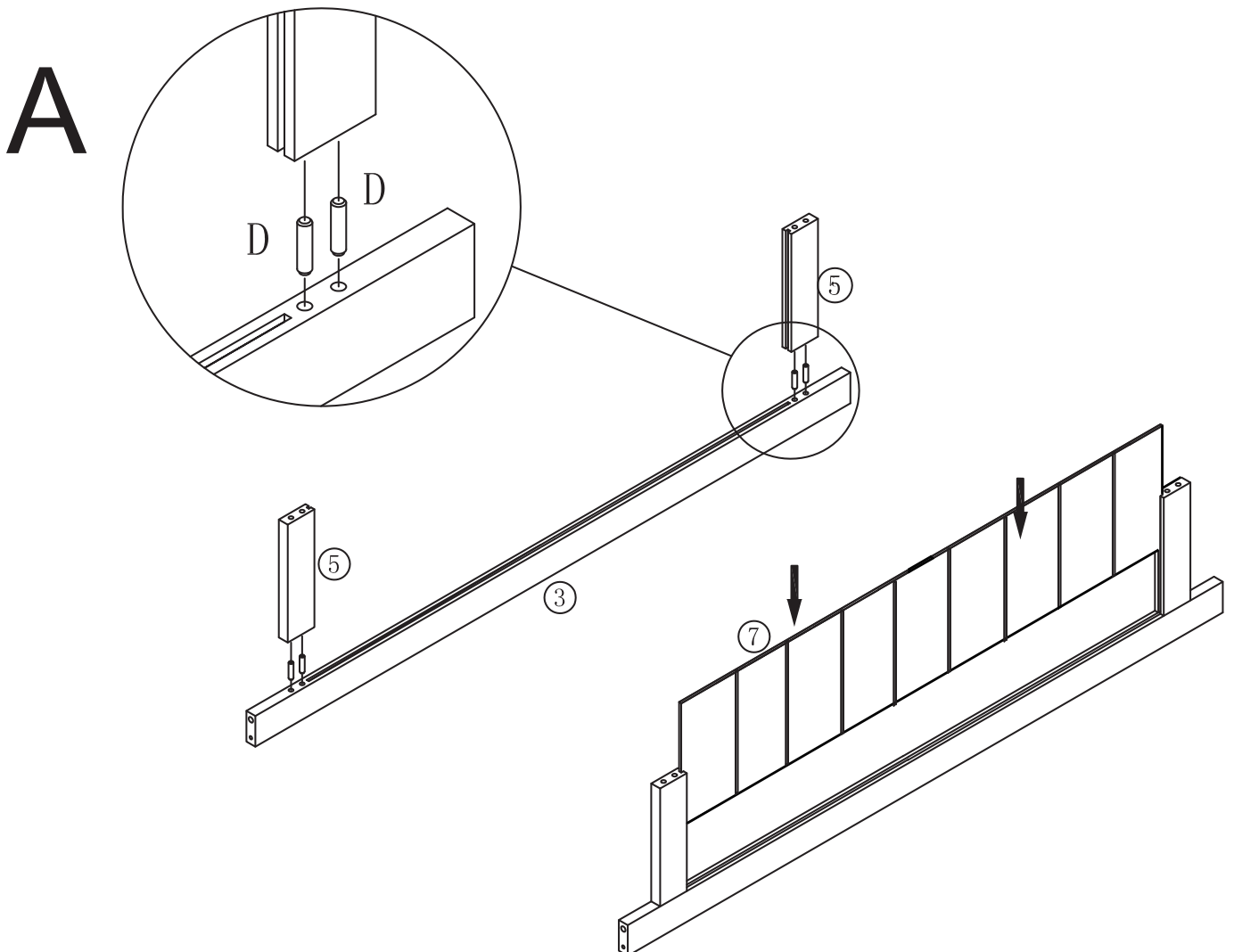
ASSEMBLY STEPS

New panels & accessories needed in below step



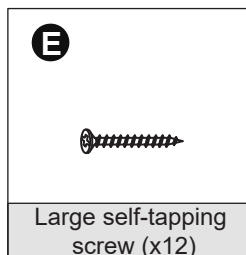
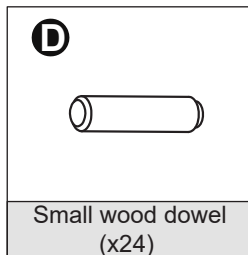
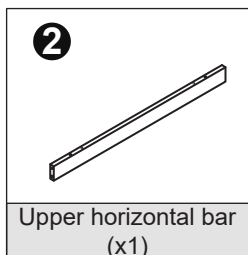
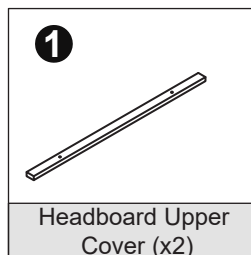
STEP1

A Put #5 Headboard vertical bar insert #3 Middle horizontal bar And then insert #7 Core board as figure shows



ASSEMBLY STEPS

New panels & accessories needed in below step

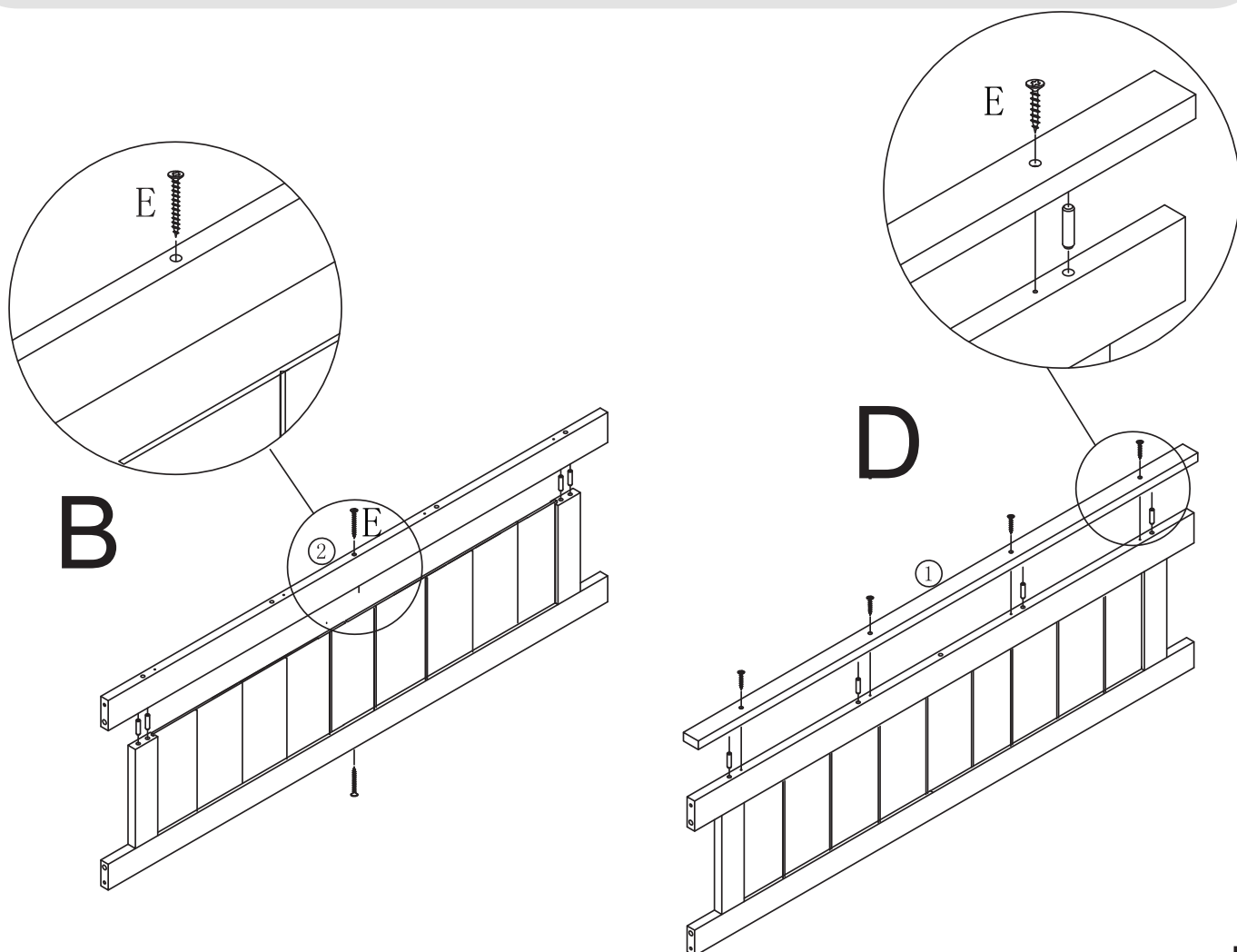


STEP2

B Use large self-tapping screw E & small wood dowel D to fix #2 Upper horizontal bar on #5 Headboard vertical bar & #7 Core board (Tips: wood dowel (D) under bottom while screw E on the upside)

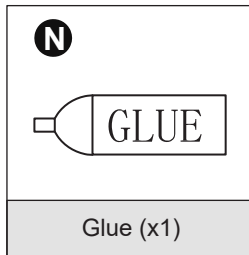
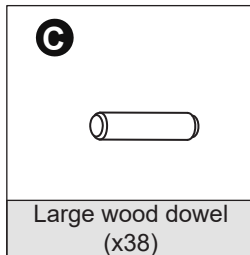
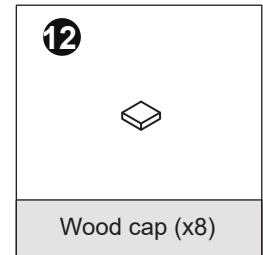
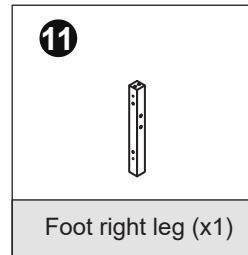
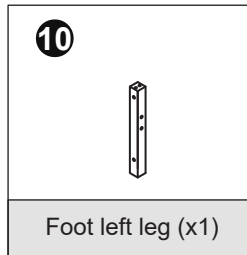
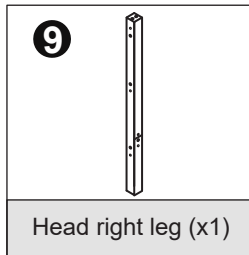
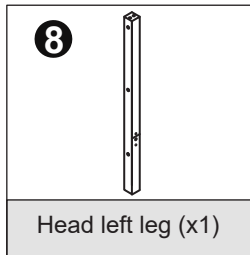
D Fix #1 Headboard Upper Cover on #2 Upper horizontal bar (Tips: wood dowel (D) under bottom while screw E on the upside)

E Footboard assemble step will be the same



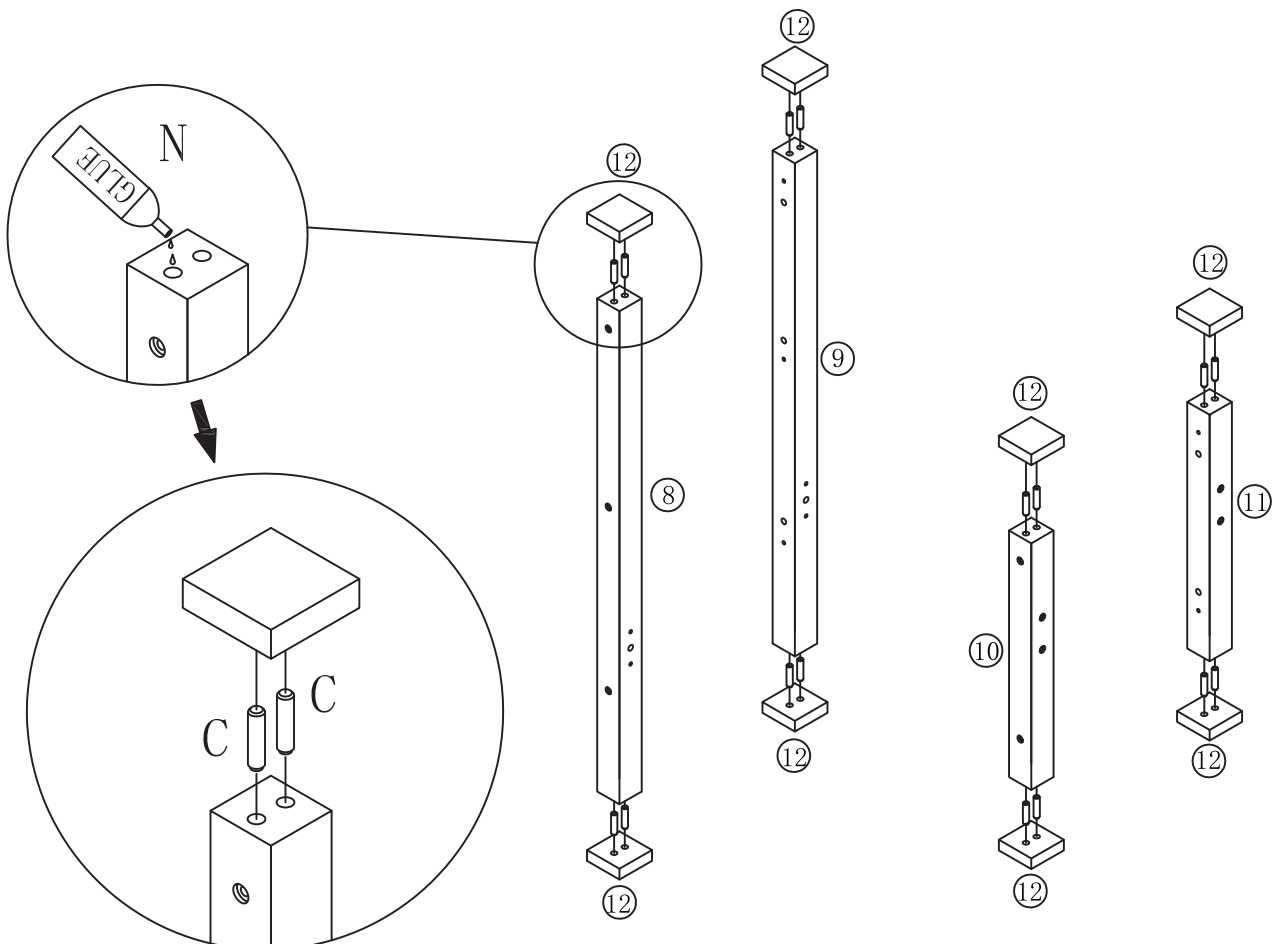
ASSEMBLY STEPS

New panels & accessories needed in below step



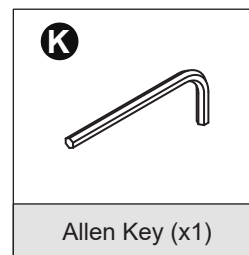
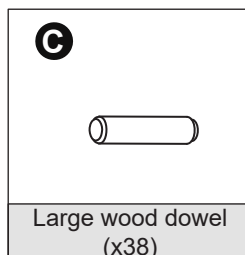
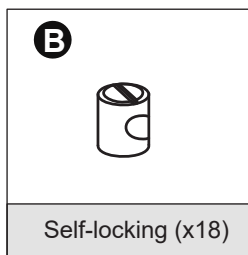
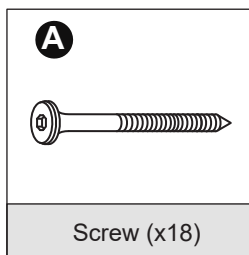
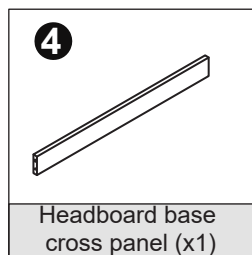
STEP3

Put wood dowel (C) insert the 2 end of bed corner legs (#8, 9, 10, 11) with glue (N), and then put #12 Wood cap on



ASSEMBLY STEPS

New panels & accessories needed in below step

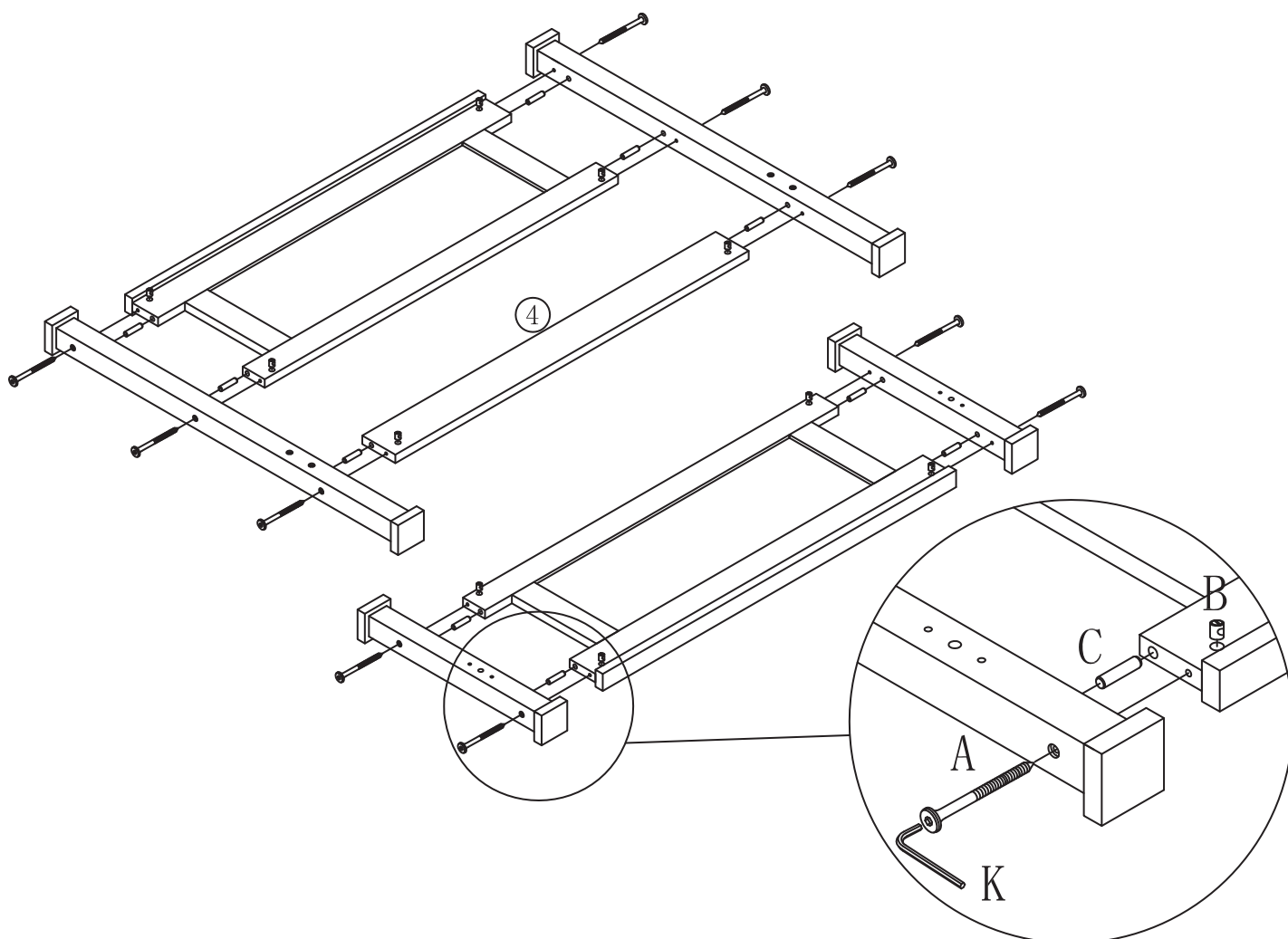


STEP 4

Fix each bed corner legs (#8, 9, 10, 11) to the headboard and footboard according to the position of holes on it or the figure on IDENTIFY PARTS page

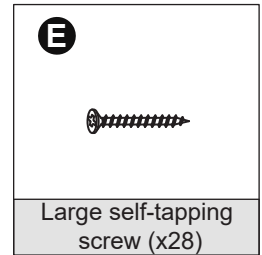
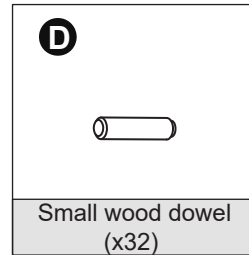
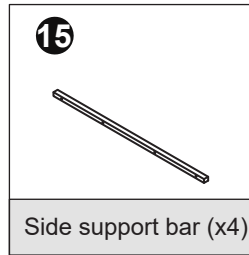
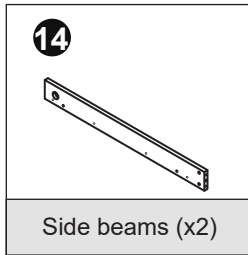
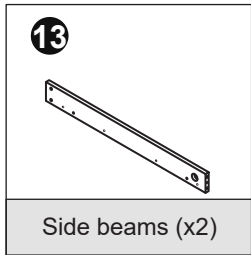
The headboard panel will need to added #4 headboard base cross panel at the same time as below figure

Methods: After figure out each position, put wood dowel (C) insert the side hole of headboard or footboard panel, and then put Self-locking nut (B) in upper hole horizontally, insert Screw (A) through the hole, and finally tight the Self-locking nut (B) to fix bed legs with the headboard or footboard panel



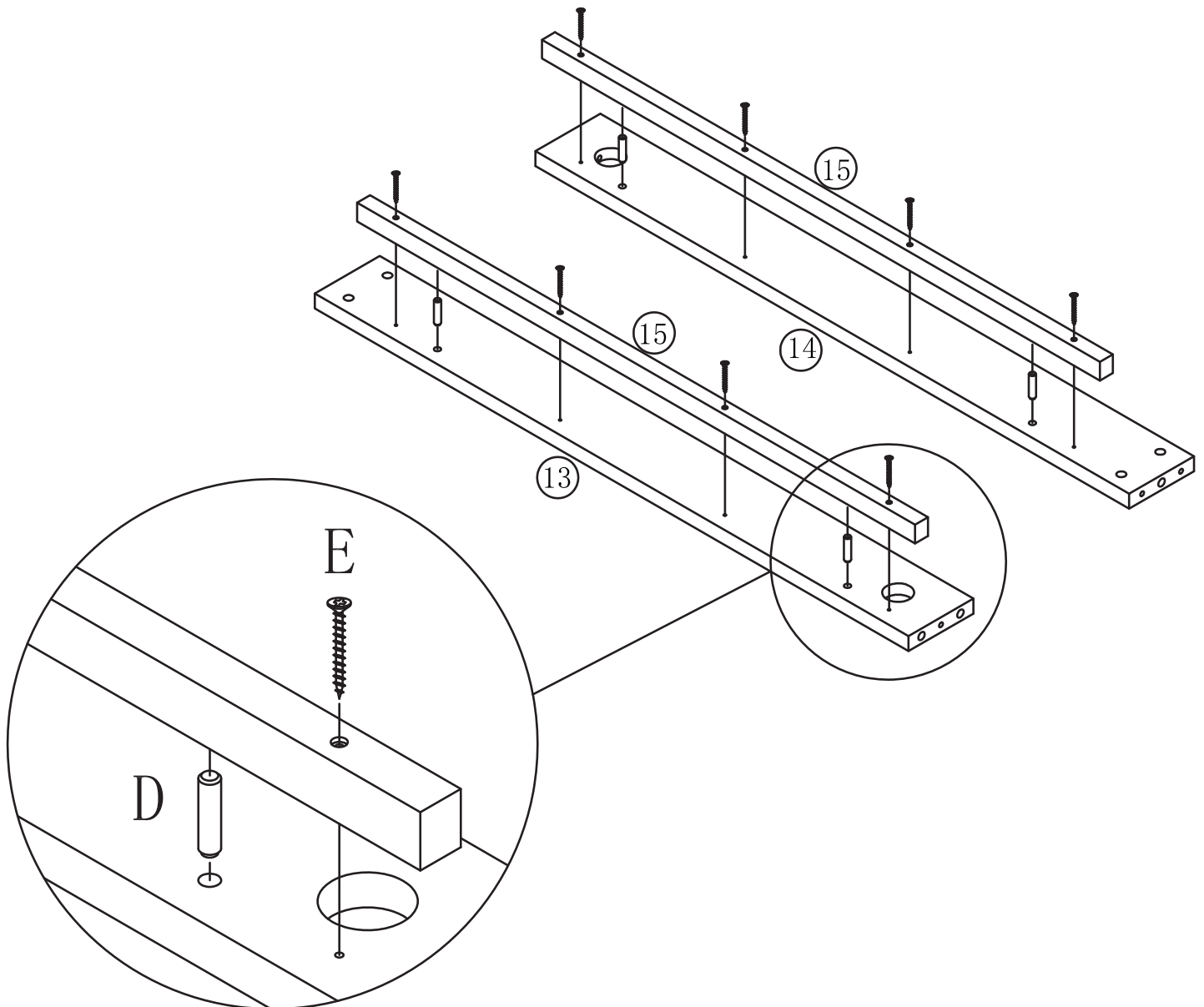
ASSEMBLY STEPS

New panels & accessories needed in below step



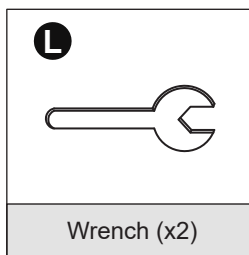
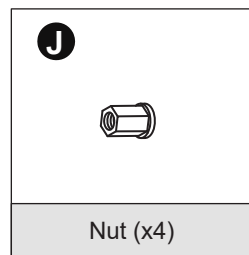
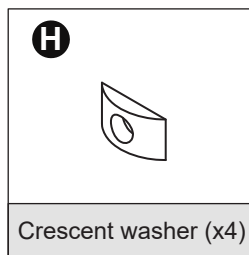
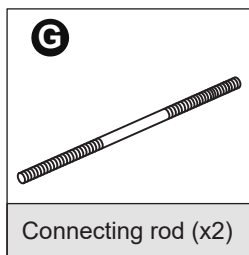
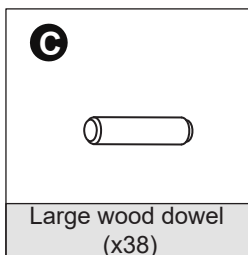
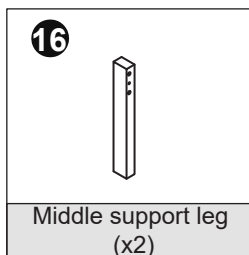
STEP5

Insert wood dowel (D) into the hole of Side beams (#13,14), place #15 Side support bar on the side panel, and then use self-tapping screw (E) to tight



ASSEMBLY STEPS

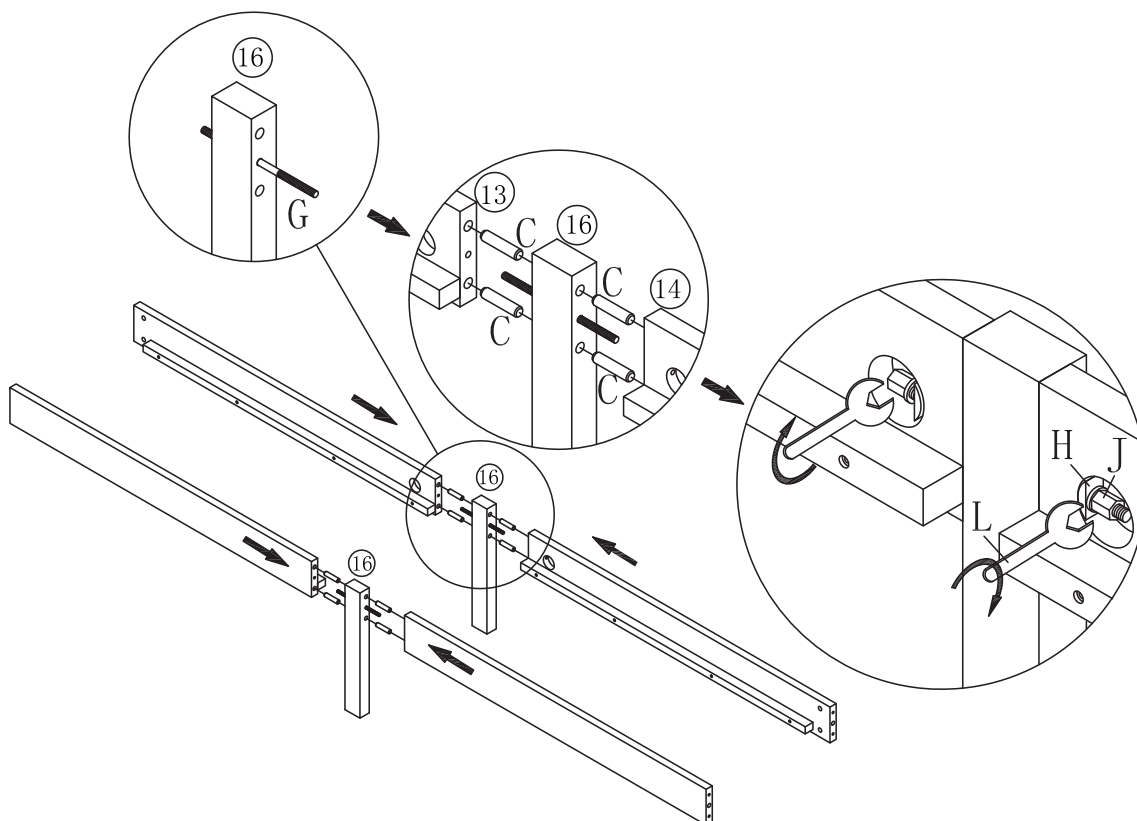
New panels & accessories needed in below step



STEP6

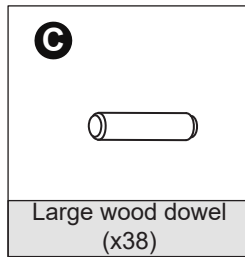
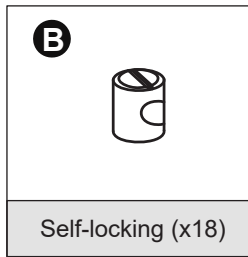
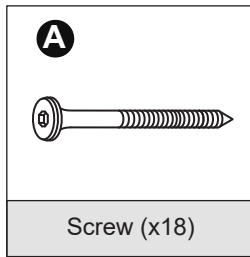
Insert Connecting rod (G) and wood dowel (C) on #16 Middle support leg first, and then put on Side beams (#13,14) tight them by Crescent washer (H) and Nut(J) with the helping of Wrench L

(Tips: the #15 Side support bar on left And right Side beams should be in same level, and the #16 Middle support leg should be keep same level with inner side of bed side beams, in order to put on wood slat smoothly)



ASSEMBLY STEPS

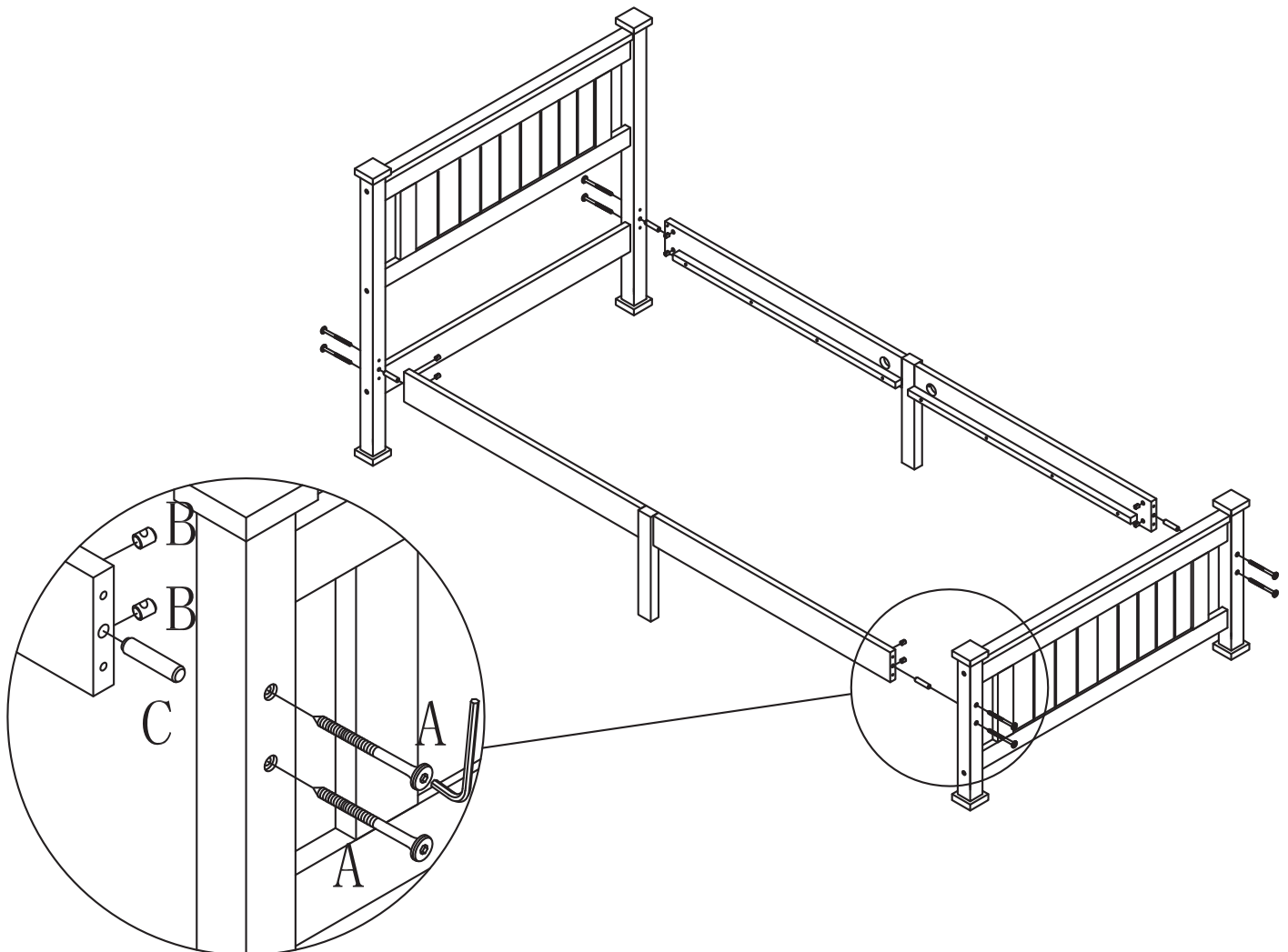
New panels & accessories needed in below step



STEP 7

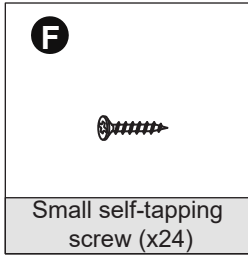
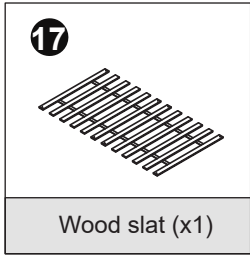
Put assembled bed side together with headboard and footboard

Methods: Fix one Side beams with the headboard first: put wood dowel (C) insert the side hole of headboard, and then insert 2 pcs of Self-locking nut (B) on the inner side horizontally to fix with leg of headboard, and then put screw (A) through legs to fix bed side panel. After assembled the headboard with 2 bed side panels, using same method to connect the footboard.



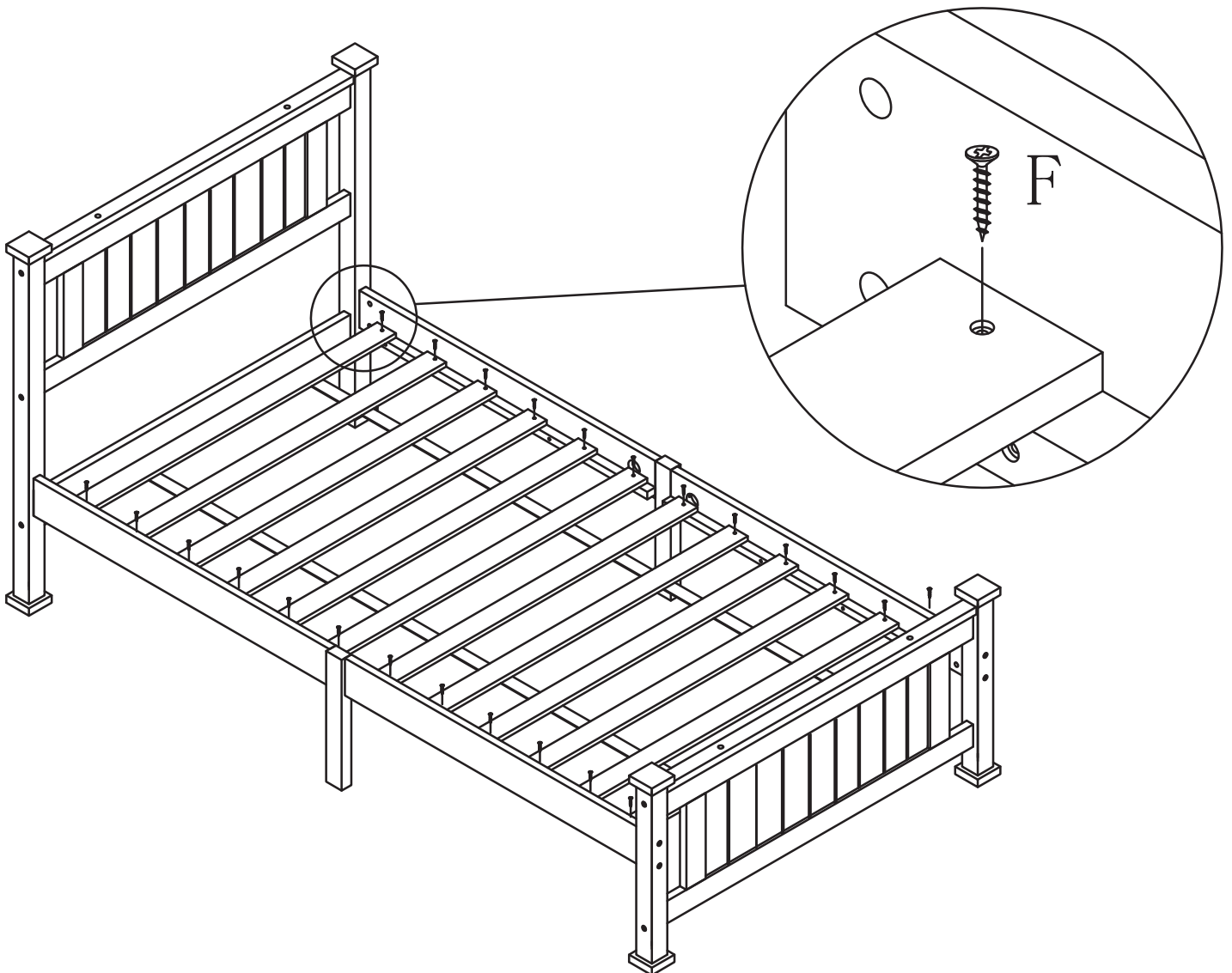
ASSEMBLY STEPS

New panels & accessories needed in below step



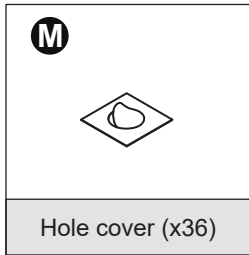
STEP 8

Fix #17 wood slat on (strips side should be underneath) with self-tapping screw (F)



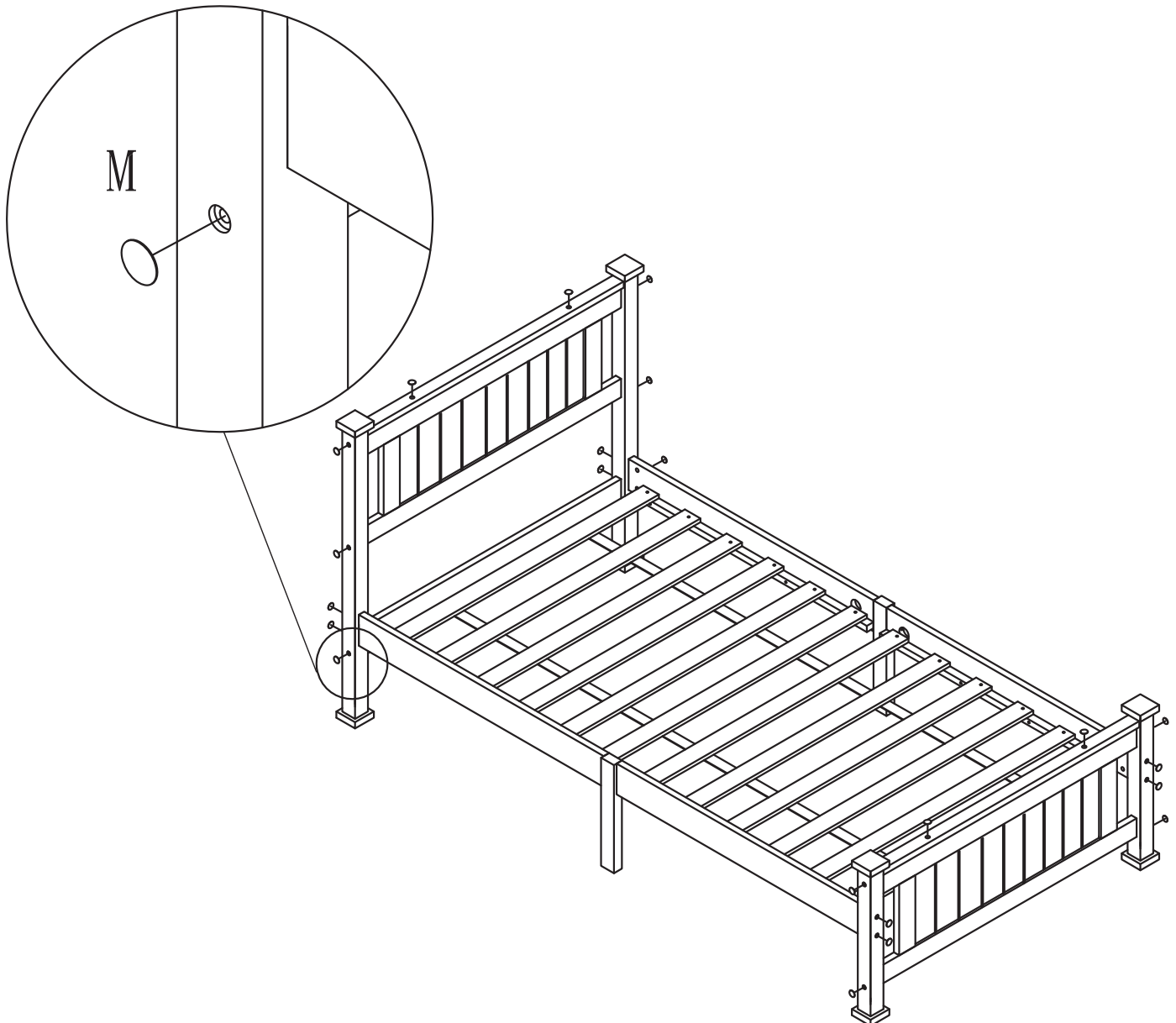
ASSEMBLY STEPS

New panels & accessories needed in below step



STEP 9

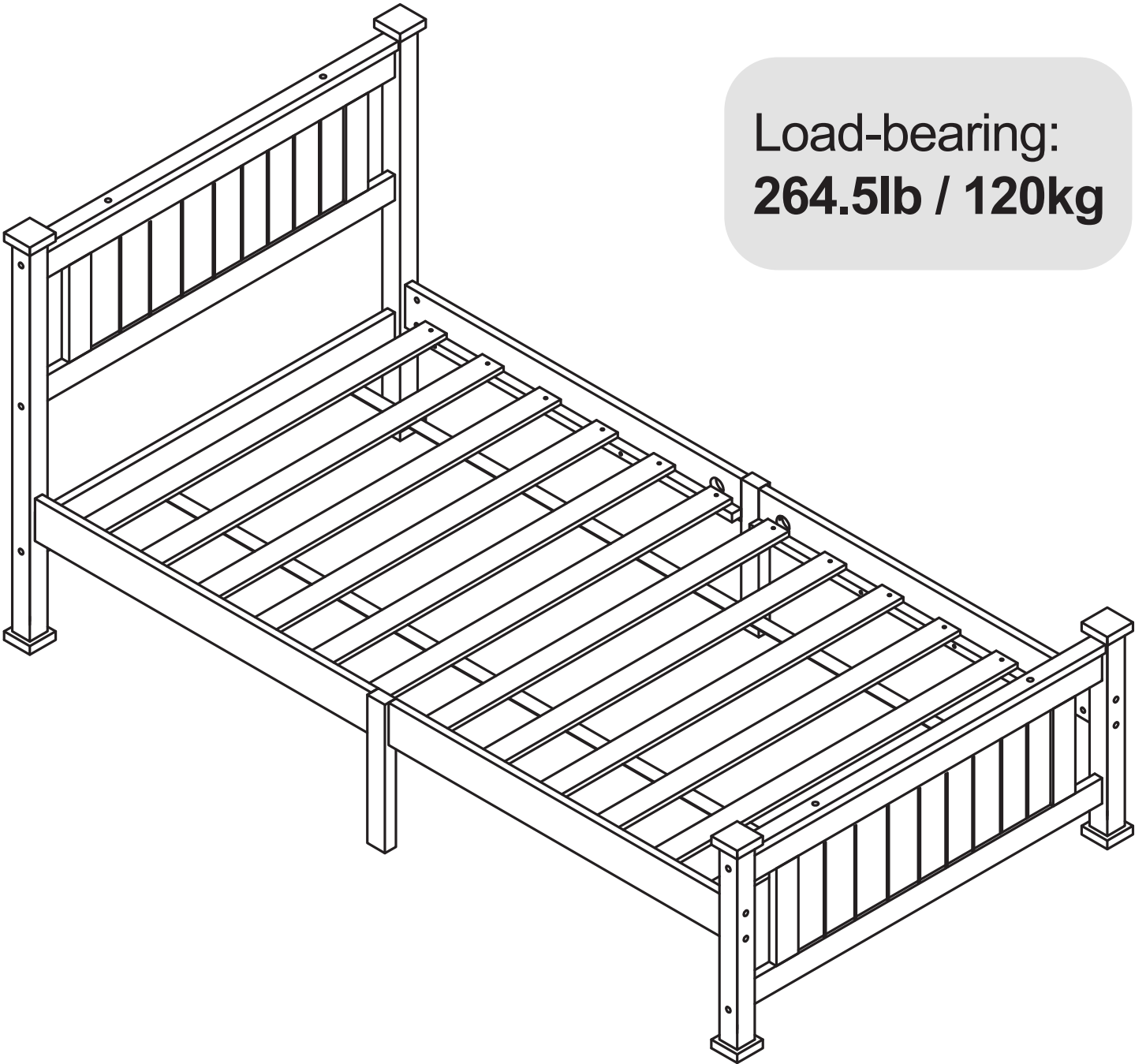
To make the product more beautiful, paste Hole cover (M) on all the exposed screw holes.



MAXIMUM LOADS

This unit has been designed to support the maximum loads shown. Exceeding these load limits could cause sagging instability, collapse, and serious injury.

Load-bearing:
264.5lb / 120kg



FAQs

1. What should I do when there are accessories or hardware missing?

Pls feel free to contact VINGLI customer service via www.vingli.com with your order ID, the quantity, and corresponding listing number of missing part. We will send out for you as soon as possible.

2. What should I do when I received a damaged item?

Pls feel free to contact VINGLI customer service via www.vingli.com with your order ID, picture of defective part to us, and we will solve for you at once.

3. What should I do when the bed feel wobbly?

- a. make sure each panel has been connect to each other properly, and all screws have been tighten after assemble
- b. find out that wobbly part, and if it is the screw cannot tight, you can try to add on a washer to help
- c. if still not work, pls feel free to contact our customer team with the wobbly part detail, and we will solve for you



Share your shopping experience with friends and families.
Like “ VINGLI” on Facebook for more Amazon deals & promotions.



Get Free Products!

If your advice on either our product or instruction is taken, a free gift will be provided!



For any questions or feedback, please email us with your order ID.
We are always striving to improve.

✉ support@vingli.com

🌐 www.vingli.com