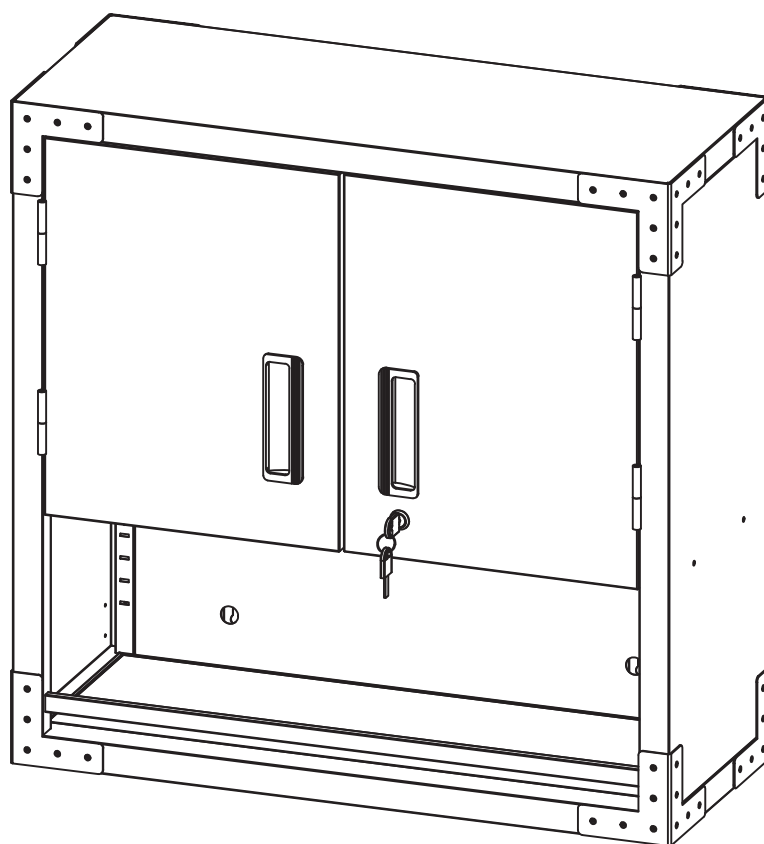




VINGLI METAL STORAGE CABINET

ASSEMBLY INSTRUCTION



Thank you for purchasing from VINGLI!

Please contact us via email if parts are missing or damaged, we will gladly ship your replacement parts free of charge

⚠ IMPORTANT

THIS INSTRUCTION BOOKLET CONTAINS IMPORTANT SAFETY INFORMATION.
PLEASE READ AND KEEP FOR FUTURE REFERENCE.

RETURN & WARRANTY

Thank you for choosing our product!

We would like to take this opportunity to thank you for choosing VINGLI.

We hope that you are completely satisfied with your purchase, and enjoy it for years to come.

Your satisfaction is our highest pursuit.

Return Policy

VINGLI believes you will absolutely love your Metal Storage Cabinet, but if for some reason you want to return the product, please contact us directly before you decide to return your product to the retailer. Our Customer Service organization can answer most concerns and can assist you with any questions you may have about your new product.

The item must be returned in good condition, in original box, with all original proof of purchase, parts and accessories, within the time frame specified by the retailer it was purchased from.

Warranty

VINGLI warrants this product to be free from defects in material and workmanship agrees to remedy any such defect. This warranty covers one year from the date of original purchase. This is solely limited to be repair or replacement of defective parts and no assembly labor is included.

This warranty does not apply to any product which has been improperly assembled, subjected to misuse or abuse or which has been altered or repaired in any way.

Components repaired or replaced warranted through the remainder of the original warranty period only. The defective components will be repaired or replaced without charge, subject to the terms and conditions described above.

For help with assembly, identifying parts, product information or to order parts, please contact us freely.

BEFORE STARTING

Before Using Product



- Read each step carefully before starting. It is very important that each step is performed in the correct order. If these steps are not followed in sequence, assembly difficulties will occur.



- Make sure all parts are included. Most board parts are labeled or stamped on the raw edge.

- Prepare a flat and Philips screwdriver (not included)
A Power Screwdriver is recommended.



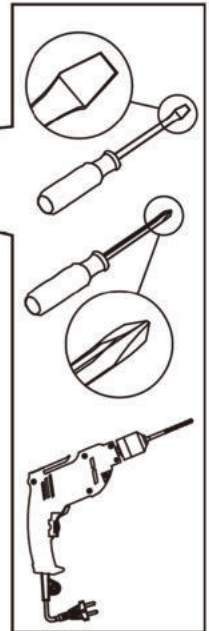
- Recommended # of people needed for assembly: 2
Estimated assembly time is 2 hours.



- Work in a spacious area and near where the unit will be used, preferably on a carpet, or use a piece of the cardboard packaging to protect your floor and product.



- For a smooth assembly process, we suggest you keep a lite tightness for all the screws during assembly. After the whole product is assembled, firmly tighten all the screws.

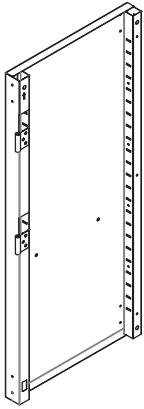


WARNING :

- Do not allow children to climb on unit
- Serious or fatal crushing injuries can occur from furniture tip-over. To prevent this furniture from tipping over, it must be permanently fixed to the wall. Fixing devices for the wall are not included since different wall materials require different types of fixing devices. Use fixing devices suitable for the walls in your home. For advice on suitable fixing systems, contact your local specialized dealer
- Avoid sharp objects or corrosive chemicals to prevent damage to the product
- During assembly, keep parts and packaging materials away from children and pets as there could be potential injury and choking hazards

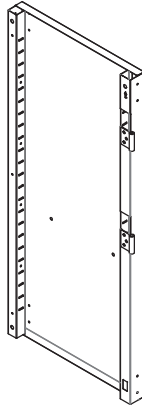
COMPONENTS

1



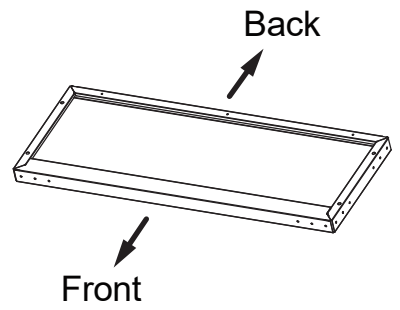
Left Side Panel x1

2



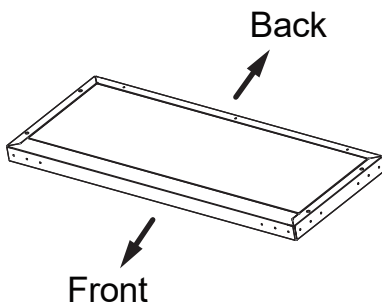
Right Side Panel x1

3



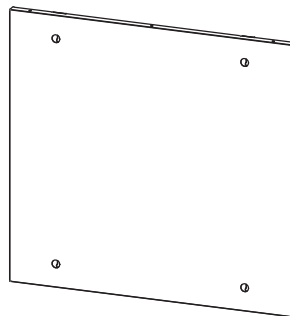
Top Panel x1

4



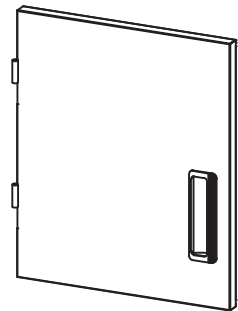
Bottom Panel x1

5



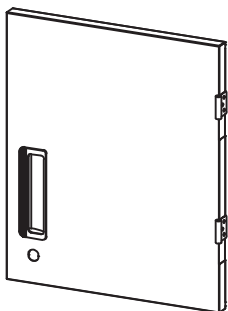
Back Panel x1

6



Left Door Panel x1

7



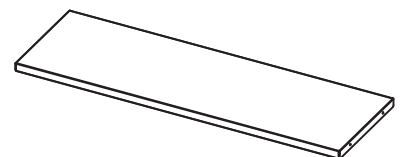
Right Door Panel x1

8



Door Meeting Stile x1

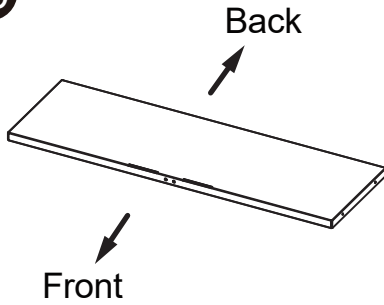
9



Adjustable Shelf x1

ACCESSORIES LIST

10



Middle Bottom Panel x1

11



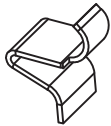
Guard Bar x1

A



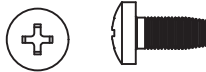
Iron Corner x8

B



Shelf Clasp x4

C



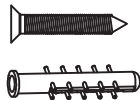
Screw x99

D



Hinge Bearing x4

E



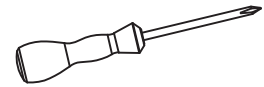
Expansion Screw x4

F



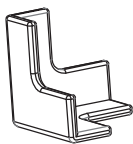
Rubber Cover x4

G



Screwdriver x1

H



Anti-collision Cornera x4

I




Cushion x2

ASSEMBLY STEPS

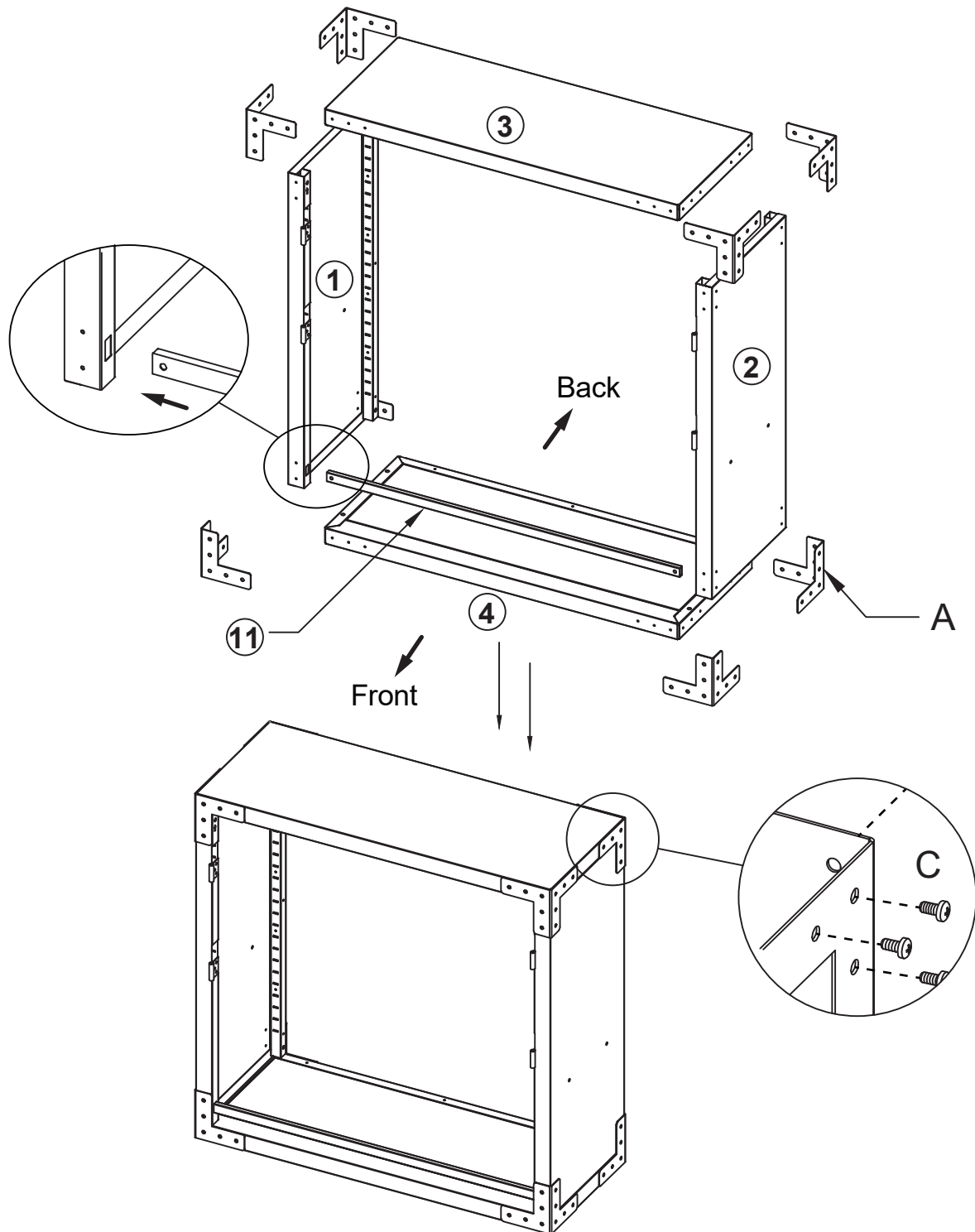
Step 1

A  **8pcs**

C  **80pcs**

Connect side panel ① and ② respectively to the bottom panel ④ and the top panel ③, secure them together using iron corners

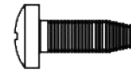
Tips: Please pay attention to distinguish the front and back of the top panel



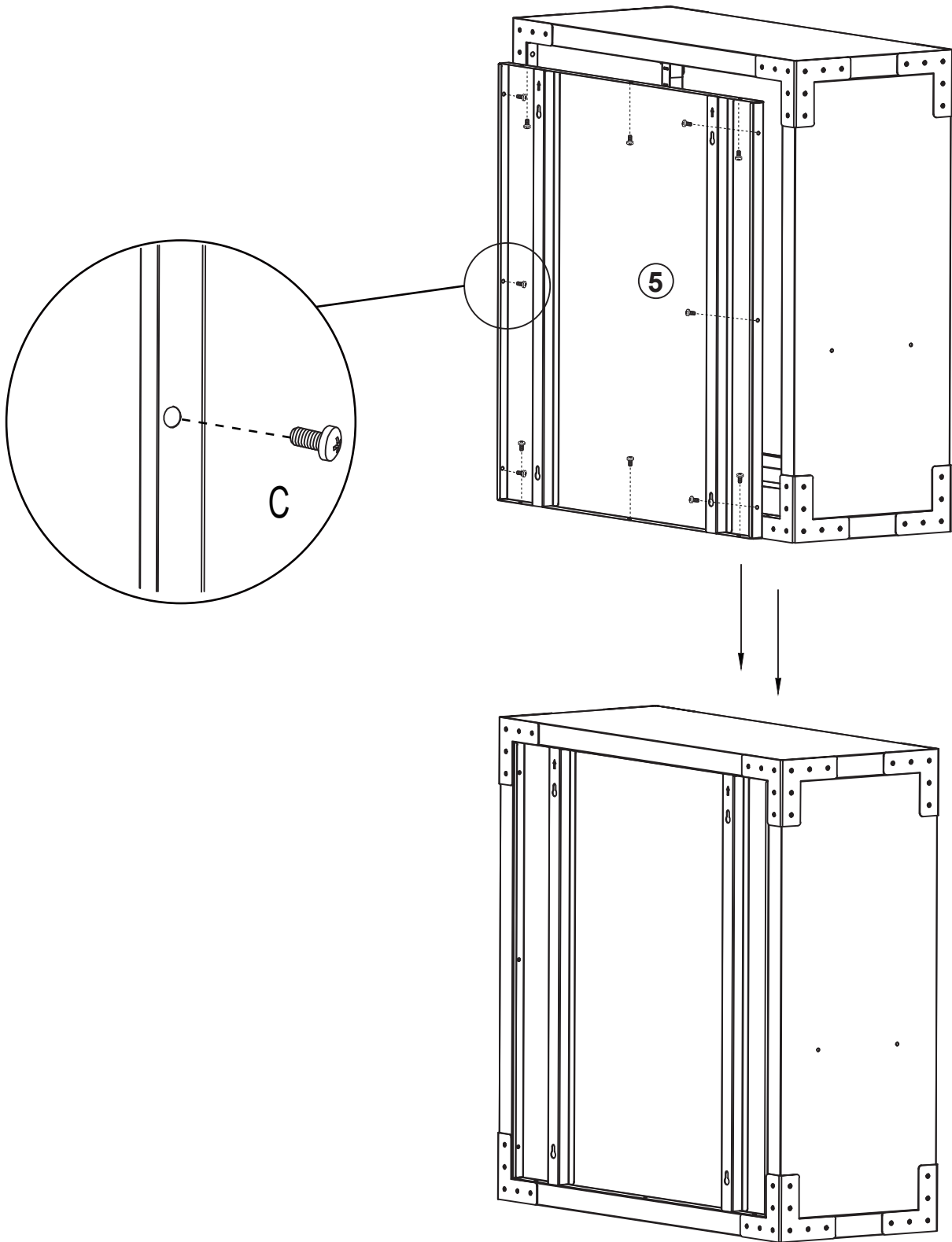
ASSEMBLY STEPS

Step 2

C



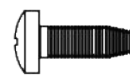
12pcs



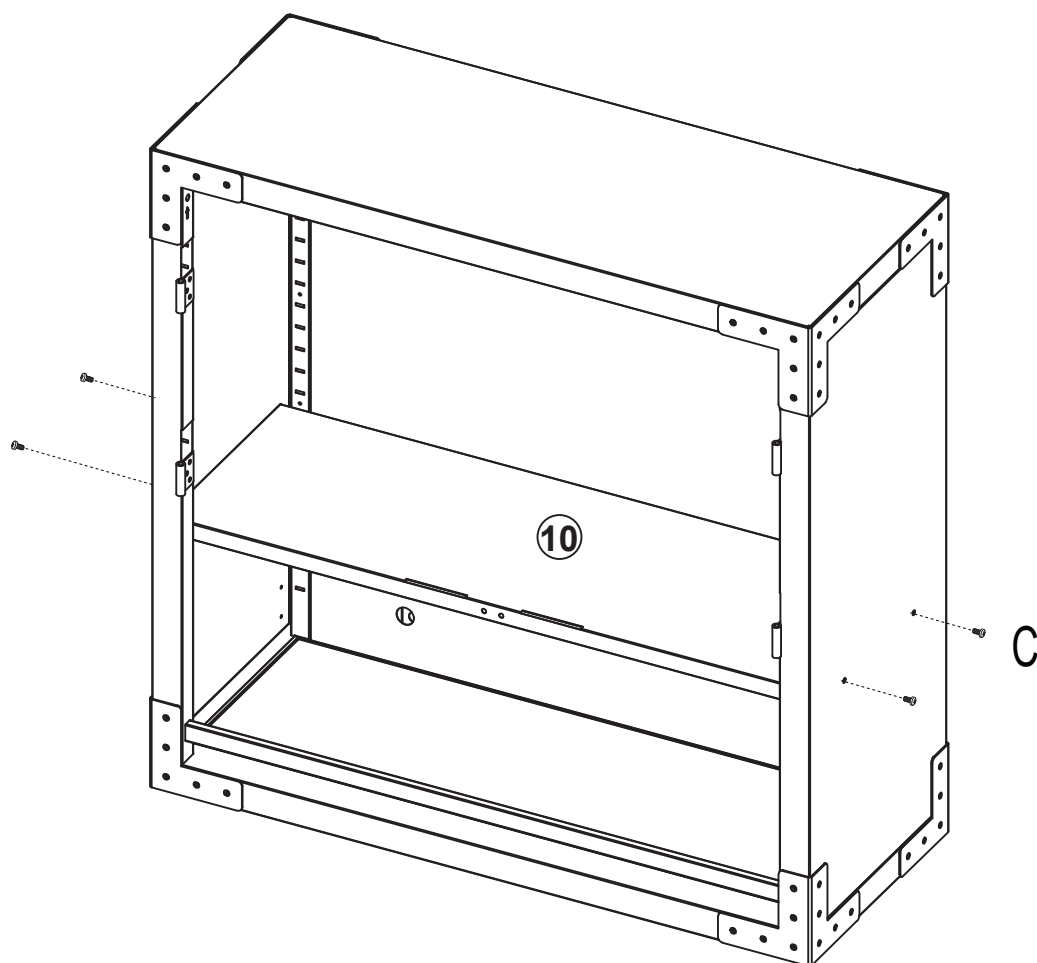
ASSEMBLY STEPS

Step 3

C



4pcs



ASSEMBLY STEPS

Step 4

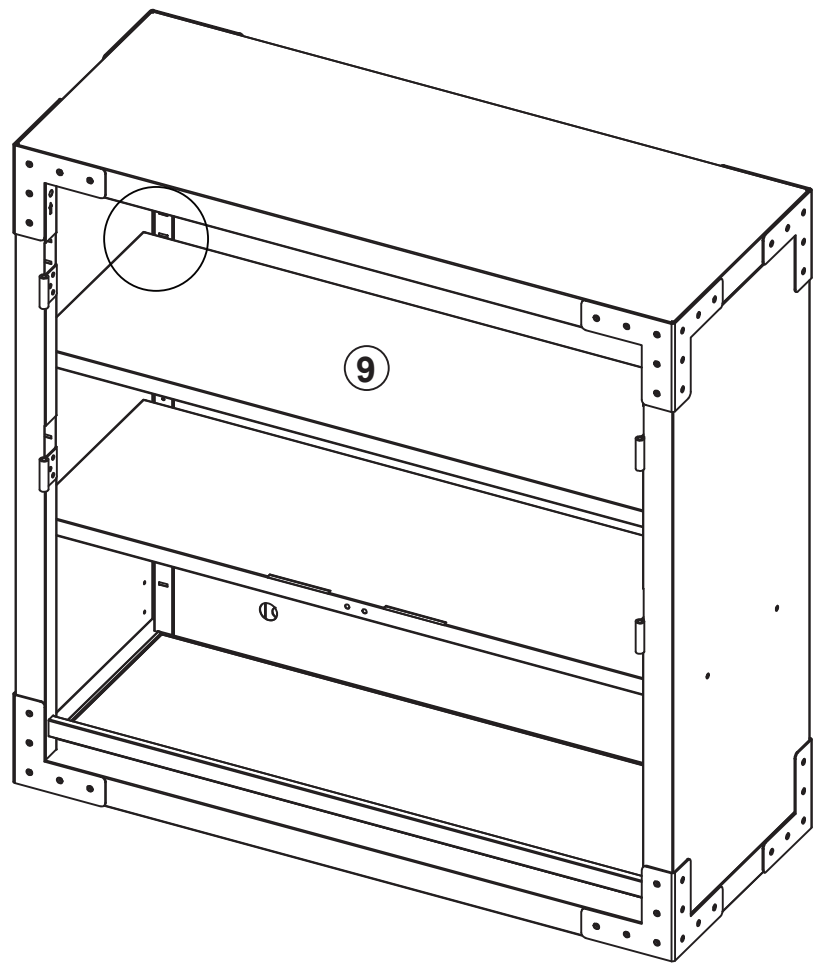
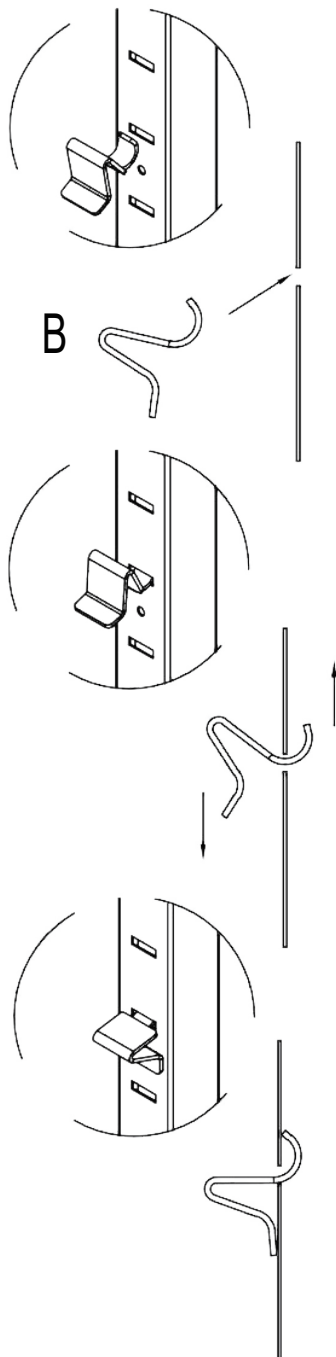
B



4pcs

Put the shelf clasps into the cabinet.

Note that the more curled end should be inside the cabinet.



ASSEMBLY STEPS

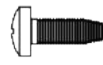
Step 5

I



2pcs

C



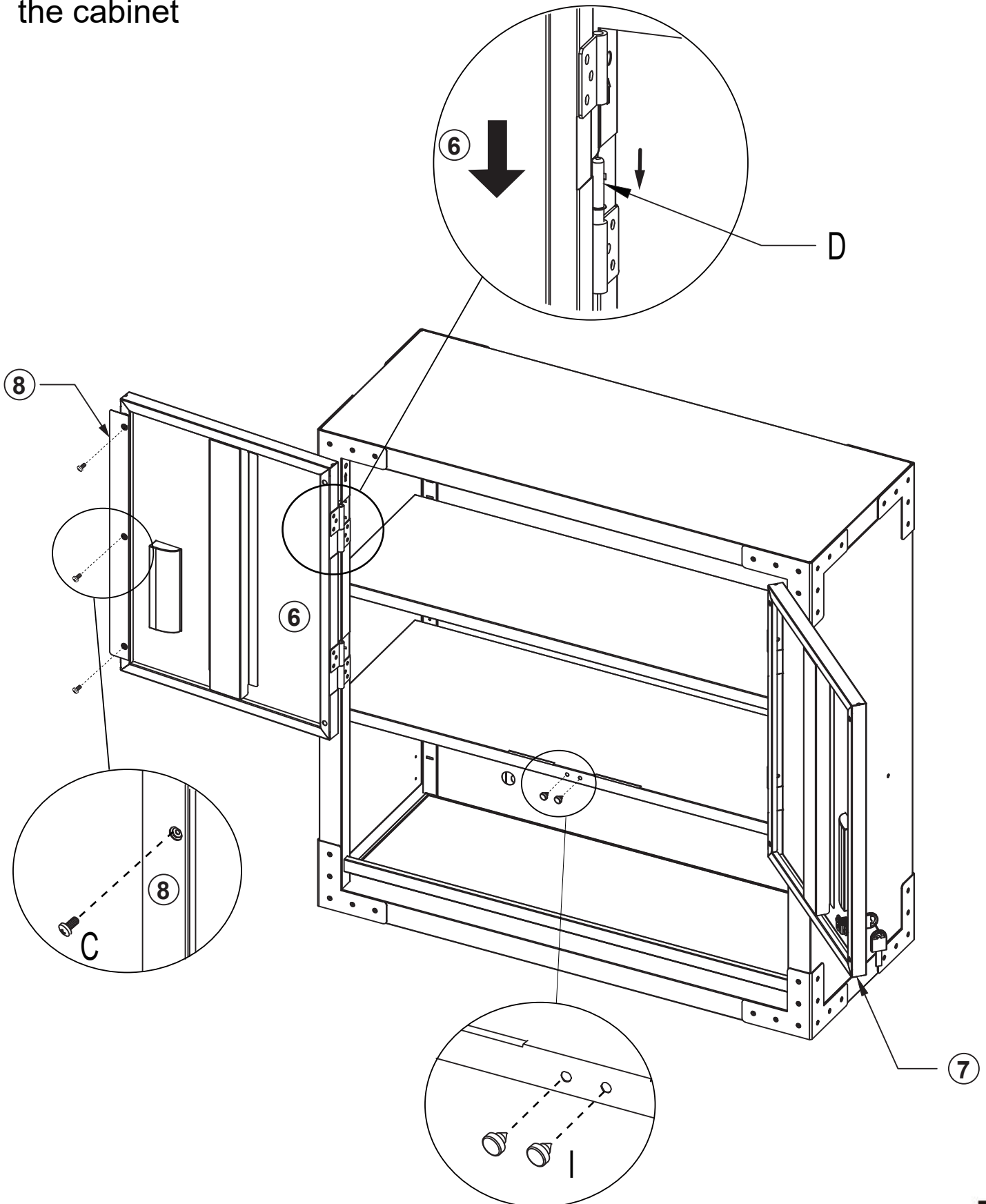
3pcs

D



4pcs

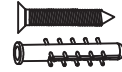
Attach the door meeting stile ⑧ first and then attach both doors to the cabinet



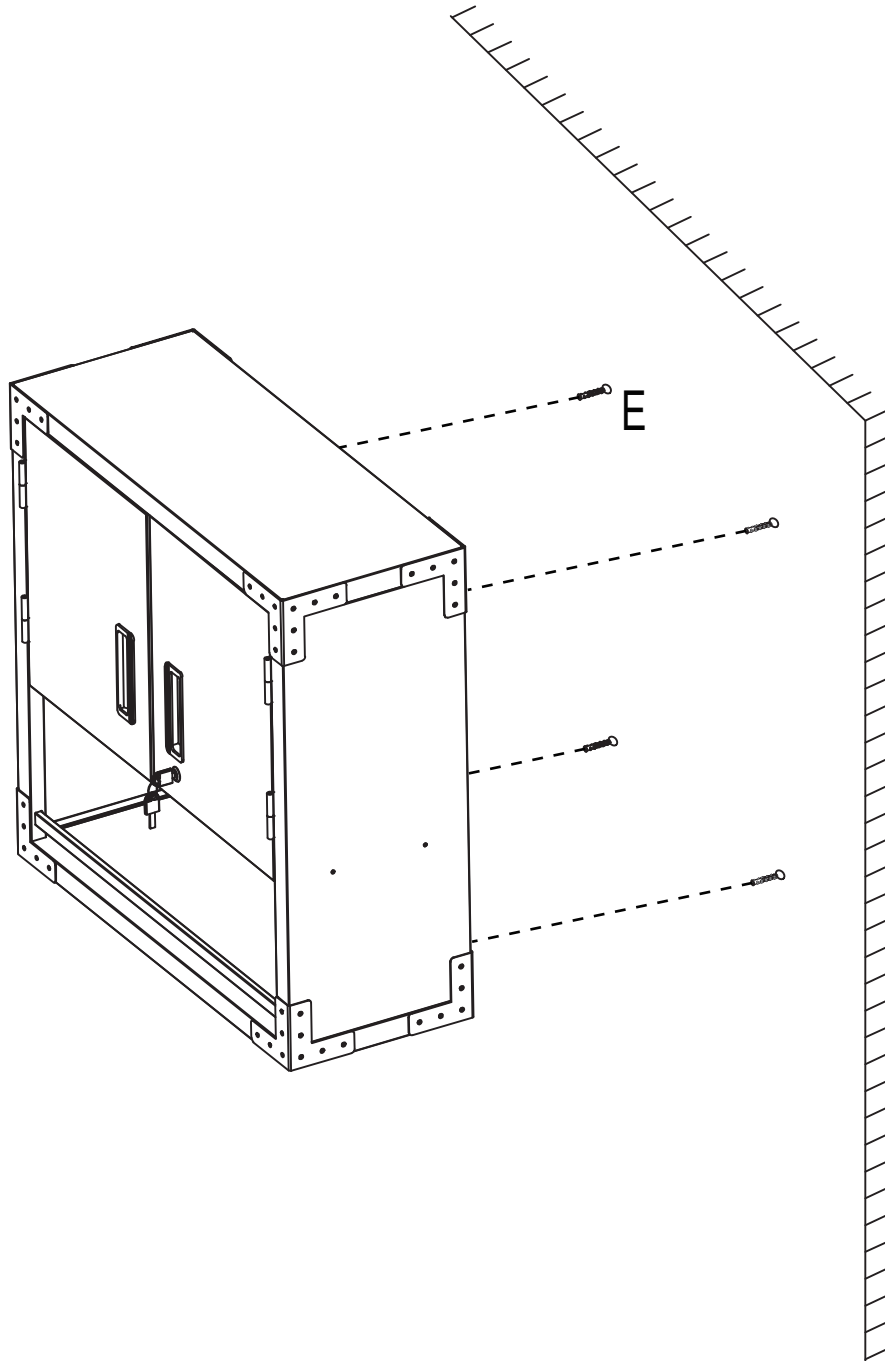
ASSEMBLY STEPS

Step 6

E



4PCS



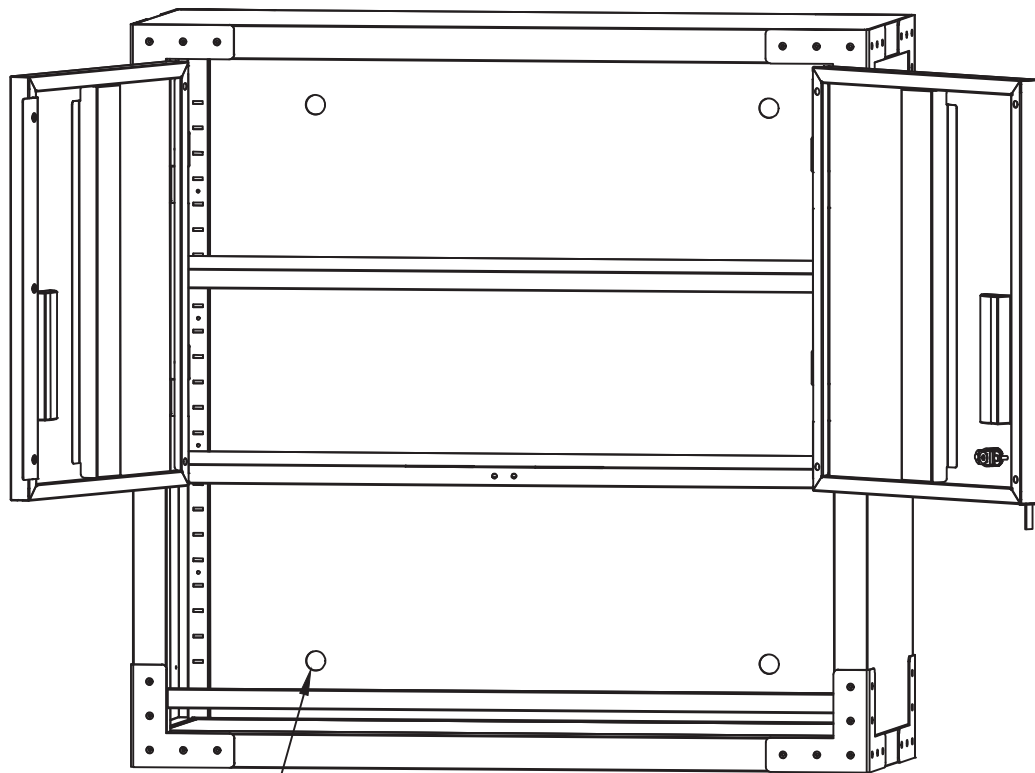
ASSEMBLY STEPS

Step 7

F



4PCS



F

ASSEMBLY STEPS

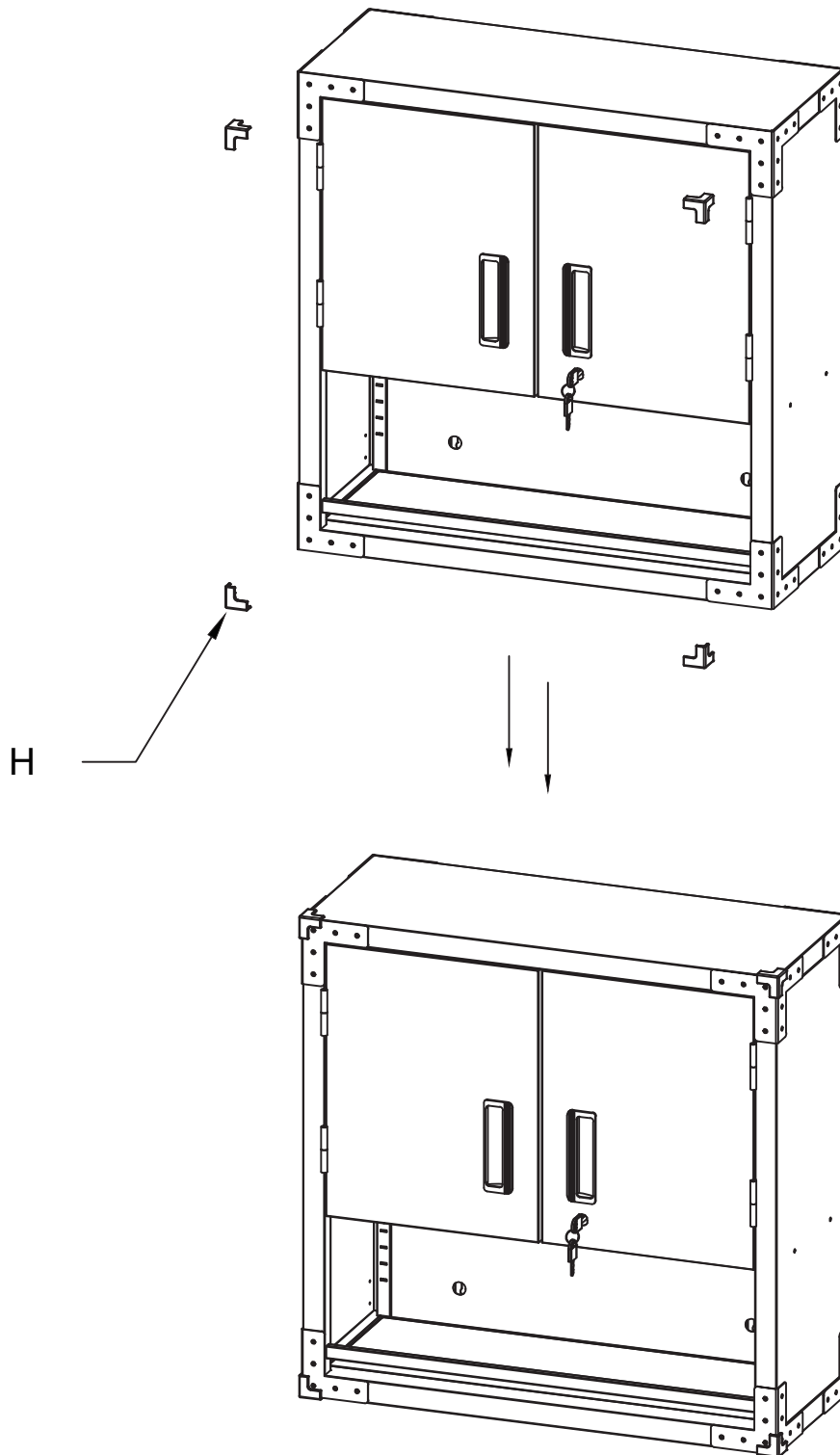
Step 8

H



4PCS

Paste the anti-collision corner H to the 4 corners



1. What should I do when I received a defective item or missing parts?

Please feel free to contact VINGLI customer service via the link where you purchased this item with your order ID, picture of defective part to us. We are eager to help you to make it right

2. Is it easy to put the screws to the panels?

Yes, as long as you follow the instruction and use the correct screws and put it into correct holes. An electric drill is recommended

3. Why does my Shelf Clasp keep falling off?

Please refer to Step 4th, The more curled end of Shelf Clasp should be inside the cabinet

Supplementary Instructions for Safe Use

⚠ WARNING



Children have died from furniture tipover. To reduce the risk of furniture tipover:

- ALWAYS install tipover restraint provided.
- NEVER put a TV on this product.
- NEVER allow children to stand, climb or hang on drawers, doors, or shelves.
- NEVER open more than one drawer at a time.
- Place heaviest items in the lowest drawers.
- Do not defeat or remove the drawer interlock system.

This is a permanent label.

Do not remove!

⚠ ATTENTION



Des enfants sont morts du basculement des meubles. Pour réduire le risque de basculement des meubles:

- TOUJOURS installer la retenue de basculement fournie.
- NE JAMAIS mettre de téléviseur sur ce produit.
- NE JAMAIS permettre aux enfants de se tenir debout, de grimper ou de s'accrocher à des tiroirs, des portes ou des étagères.
- N'ouvrez JAMAIS plus d'un tiroir à la fois.
- Placez les objets les plus lourds dans les tiroirs les plus bas.
- Ne désactivez pas et ne retirez pas le système de verrouillage du tiroir.

Ceci est une étiquette permanente.

Ne pas enlever!

⚠ WARNUNG



Kinder sind an einem Möbelkipp gestorben. So verringern Sie das Risiko eines Umkippen von Möbeln:

- Installieren Sie IMMER die mitgelieferte Kipprückhaltevorrichtung.
- Stellen Sie NIEMALS einen Fernseher an dieses Produkt.
- Lassen Sie Kinder NIEMALS an Schubladen, Türen oder Regalen stehen klettern oder hängen.
- Öffnen Sie NIEMALS mehr als eine Schublade gleichzeitig.
- Legen Sie schwerste Gegenstände in die untersten Schubladen.
- Besiegen oder entfernen Sie das Schubladenverriegelungssystem nicht.

Dies ist ein dauerhaftes Etikett.

Nicht entfernen!