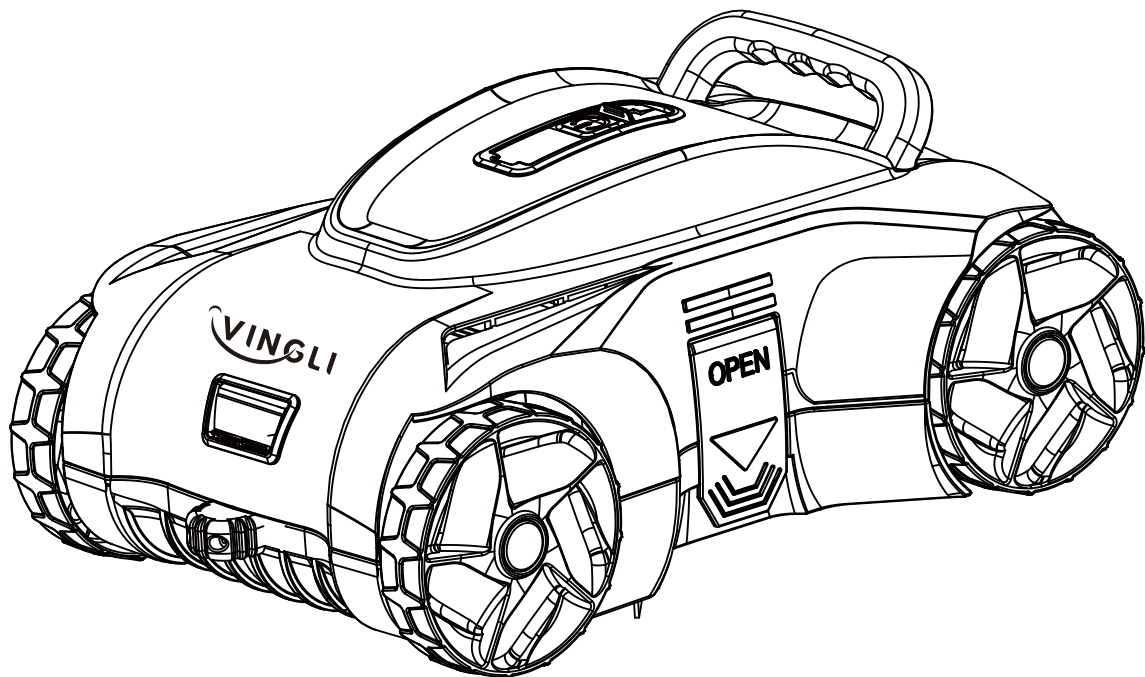




USER MANUAL

**CORDLESS RECHARGEABLE AUTOMATIC
POOL CLEANER**



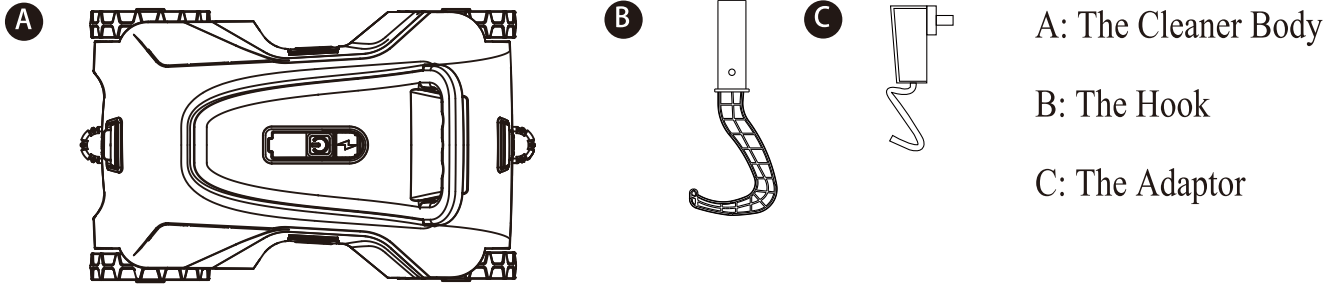
Please read the instruction carefully before using this product, and keep the instruction for future reference.

WARNING:

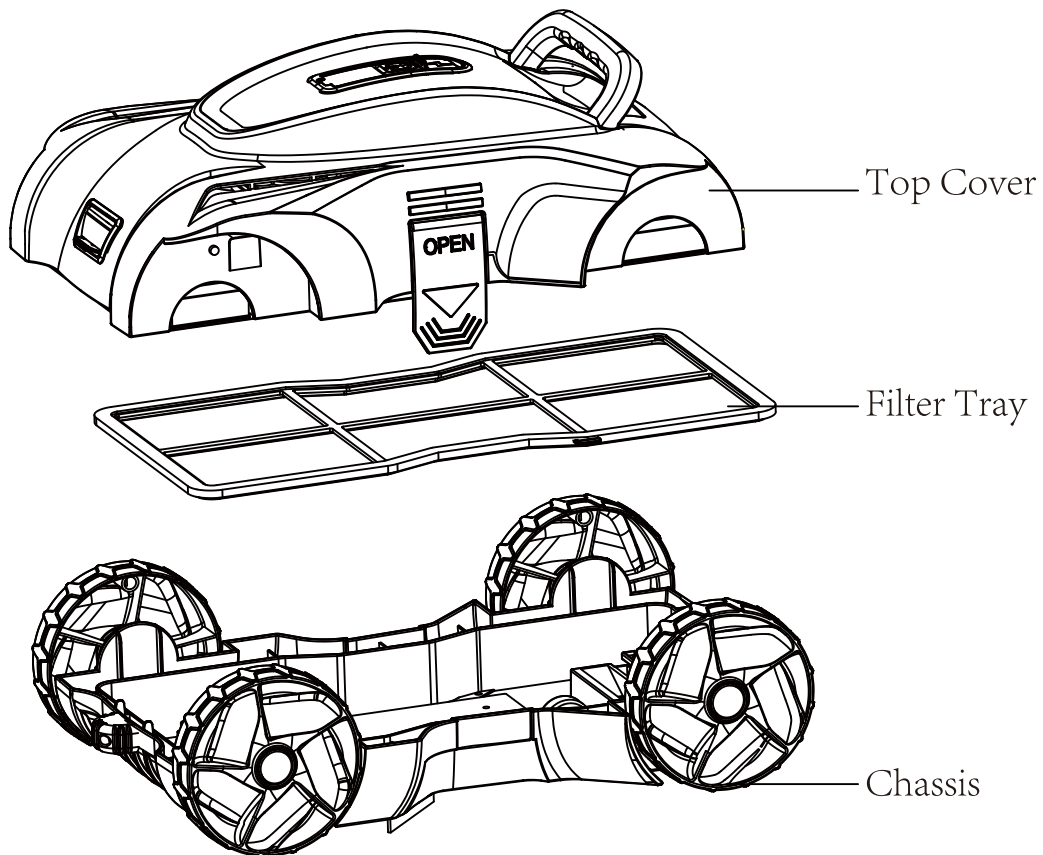
- ⌘ **This is not a toy. Do not allow children to use it as a toy. Keep away from Children.**
- ⌘ **Assembly and operate only by adult, this cleaner is not intended for use for someone with reduced physical, sensory or mental capabilities, or a lack of experience and knowledge unless they have been given instructions concerning the appliance and are under supervision of the person responsible for their safety.**
- ⌘ **Do not use if unit is damaged in any way.**
- ⌘ **Keep hair, fingers, any part of body and any loose part of your clothing from the opening, suction range and moving part.**
- ⌘ **This model is only suitable for pool with flat floor.**
- ⌘ **The cleaner is only suitable for pools with size up to 850ft² (80m²) due to the limitation of battery capacity and water depth 1.3ft-9.8ft.**
- ⌘ **This cleaner is intended to be used only for the purposes described in the instruction. Do not use your cleaner with filter tray to clean anything other than your pool.**
- ⌘ **Submerged the body in water to operate properly when it used with filter tray to clean with suction. Always clean the filter tray before cleaning.**
- ⌘ **Suitable water temperature and PH: 13°C (55°F) - 35°C(95°F) and PH 7-7.4.**
- ⌘ **Use only accessories and replacement parts specified in instructions.**
- ⌘ **Replace filter tray if damaged.**
- ⌘ **Avoid picking up large, hard and sharp objects with the vacuum.**
- ⌘ **Never leave cleaner plugged into the main outlet for long term storage.**
- ⌘ **Never leave cleaner in the water when it is off or has run out of battery power.**
- ⌘ **This product with filter tray to clean with suction is designed for routine general maintenance of your pool. Do not use for cleaning for longer accumulated heavy dirt.**
- ⌘ **This cleaner is not for cleaning algae.**
- ⌘ **Do not vacuum chemical sewage, corrosive liquid, toxic substances, flammable or combustible liquids such as gasoline, or operate in the presence of explosive or flammable fumes.**
- ⌘ **Never insert or drop any object into any opening on the device. Keep all openings and turbine blade free of leaves, rocks or anything that may reduce water flow.**
- ⌘ **Do not use on or near hot surfaces.**
- ⌘ **Disconnect adaptor from power supply after charging, and before any routine cleaning, filter tray replacement and maintenance.**
- ⌘ **Do not charge the product with wet hands and barefoot, and do not touch the product with wet hands or barefoot while charging.**
- ⌘ **Use your adaptor indoors in a clean and dry place. Do not expose adaptor to water, any liquid, high moisture, or extreme temperature.**
- ⌘ **Use the original and authorized power adaptor only.**
- ⌘ **Keep the cord and adaptor away from sharp objects or hot surfaces.**
- ⌘ **Do not charge cleaner with damaged cord or damaged adaptor.**
- ⌘ **Recharge the battery at least once every three months if it is not frequently used, or the battery voltage will be lower than over-discharge protection voltage which causing battery self-discharge problem.**
- ⌘ **The battery installed is rechargeable lithium polymer batteries. Do not attempt to replace it.**
- ⌘ **Do not use cleaner while the pool and shower is being used.**
- ⌘ **Do not attempt to disassemble the cleaner and replace the impeller, motor and batteries by yourself.**

Thank you for purchasing this cordless rechargeable automatic pool cleaner. It is suitable for pools with flat floor with size up to 850ft² (80m²) and limit water depth 1.3ft-9.8ft. The product is powered by 7500MAH rechargeable lithium polymer battery, It takes about 2-2.5 hours to charge full electricity, and runs for about 90 minutes after full charged. The adaptor used in this product is AC 100V - 240V ~ 50 / 60Hz OUTPUT 12 V 3A.

PART LIST:



STRUCTURE:



1.Charging Instruction :

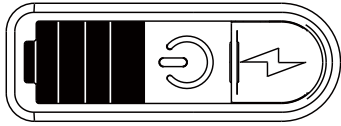


figure 1

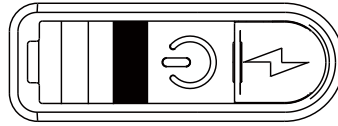


figure 2

When the indicator 4 lights totally lights up, it is in a fully charged state (Figure 1). As the cleaning running, the indicator 4 lights will turn off one by one, until the last indicator light starts flashing, which indicates that the power is low and will be shut down soon (Figure 2). Please charge the cleaner.

Note: Turn on the switch again without enough power, it may display still have two bars of power, but it is not the exact power condition under lower working voltage. If it worked under such condition, the suction will not be sufficient and it will automatically turn off soon. Please charge the cleaner.

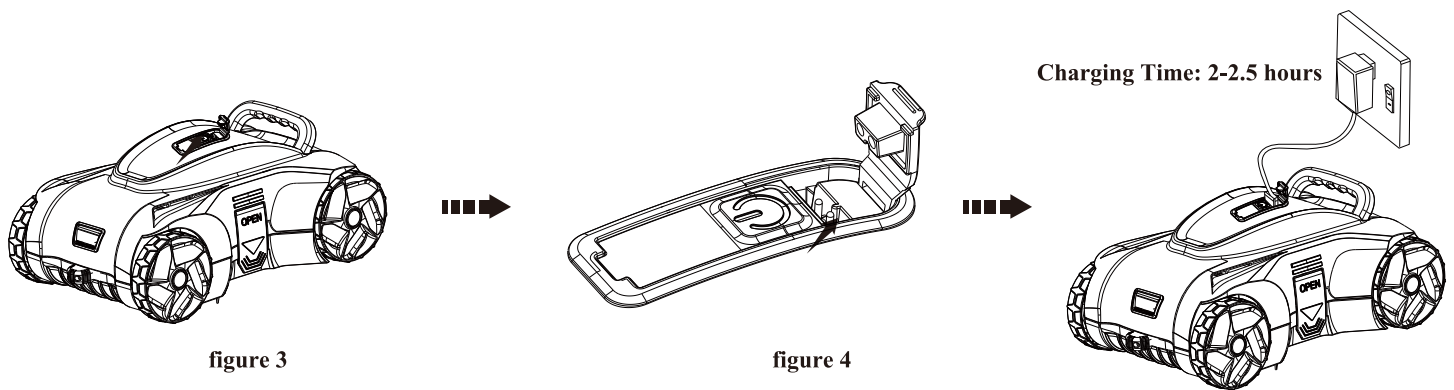


figure 3

figure 4

Open the charging cover on the top of cleaner with fingers carefully (Figure 3), Don't pull the soft charging cover off from cleaner with force which cause leaking and damage to the charger and the charging port.

Insert the authorized adaptor head into the charging port, aligning the adaptor with the product charging needles.(Please dry the charging port and charging needles with dry and clean soft cloth.)

Please note that when the charger is plugged in position, the product will give 4 short "beep", and the indicator light will start to cycle on until the charging is complete, and then it will "beep" twice as reminder. At this time, all the four bar indicator lights will be on, and the charging is completed. Unplug the adaptor, and cover the charging port firmly.

Note: After you charge the cleaner every time, remember to plug the charging cover tightly on the charging port to protect charging port from water, or will cause fatal damage to cleaner. If it is more than three months no using after full charged, please recharge the cleaner once again before use.

When power is weak after a period of time, please turn off the cleaner and charge it in time.

It takes about 2-2.5 hours to charge.

Attention: Please fully charge the cleaner before using for the first time. The initial power reserve is insufficient and fully charge can guarantee the function.

2.OPERATION:

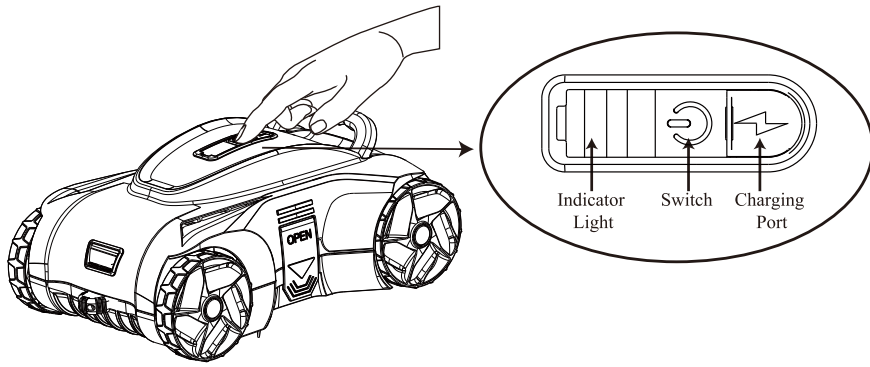
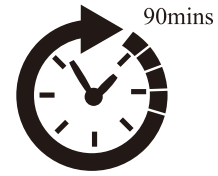


figure 5



Working time 90mins after fully charged.

Power On: Press and hold the power button to turn on the cleaner for 3 seconds, you will hear a long "beep". The motor is not ready to function until the cleaner goes into water and the liquid level switch start to work. After that you will hear short "beep" twice and the cleaner starts to work within 30 seconds. If the cleaner does not go into water within 30 seconds after it has been turned on, you will hear a long "beep" and the cleaner will turn off automatically.

Please charge the cleaner when it runs out of battery. When connecting the charger to the cleaner you will hear a beep twice means the cleaner is charging.

Power Off: Please press and hold the top switch for 3 seconds until the indicator lights turn off, and enter the power off state.

3.Nozzles Angle Adjustment:

Front

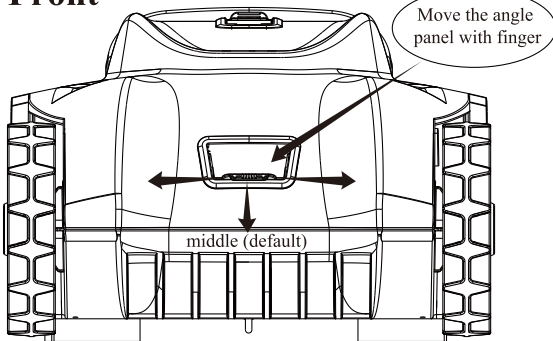
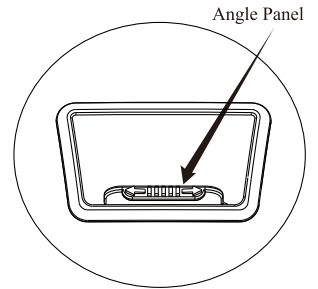
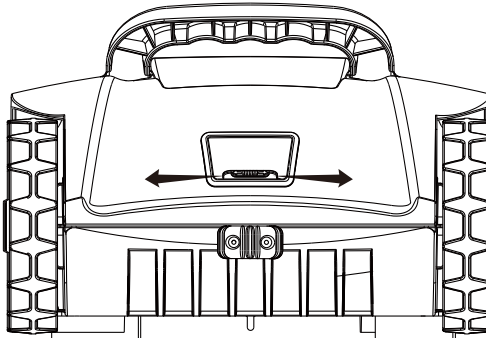


figure 6

Back



The nozzles direction can be adjusted via moving the angle panel left and right to change the cleaner running angle under the water. The default position, which is located in the middle of front and back nozzle panels is suitable for most pools. When the cleaner is not able to cover the whole pool floor, set the front nozzle panel to the right or left, or set the back one to the right or left (See Figure6).

Attention: the cleaner walks on random routes not a fixed route.

4.Filter Cleaning:

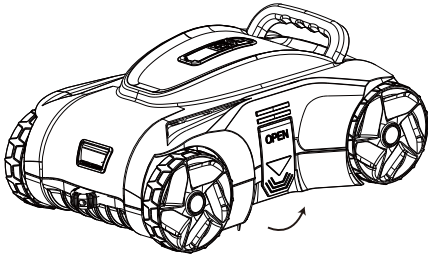


figure 7

Step1 : pull the locking panels up on the both sides of the top cover to open the cleaner (figure7).

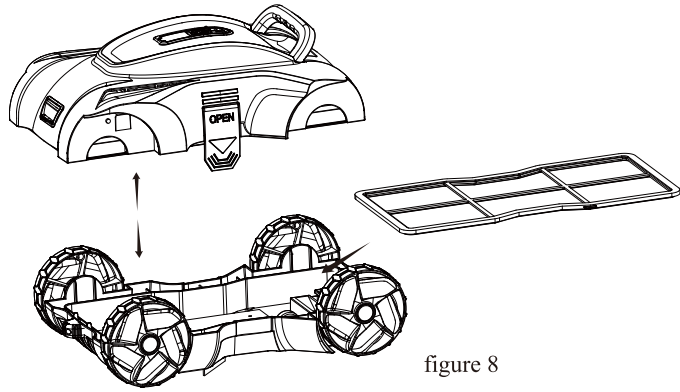


figure 8

Step2: Place the upper part aside on the flat place carefully and take the filter tray out of the chassis (figure8).

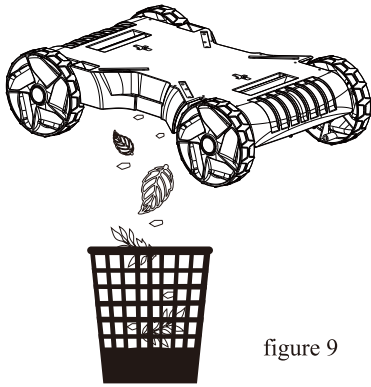


figure 9

Step3: Clean the debris out of the chassis (figure9).

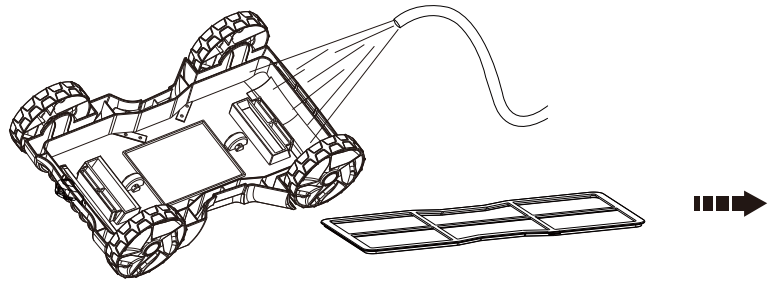


figure 10

Step4: Rinse the dirt that left in the chassis and on the filter tray with clean water.(figure10)

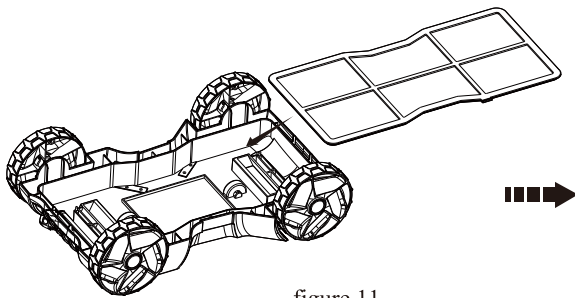


figure 11

Step5: Put the clean filter tray back on the chassis and press it into the place, make sure it is firmly cover the bottom, or will cause suction leaking (Figure11).

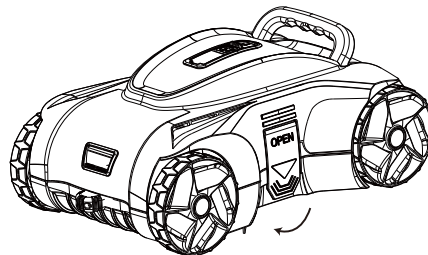
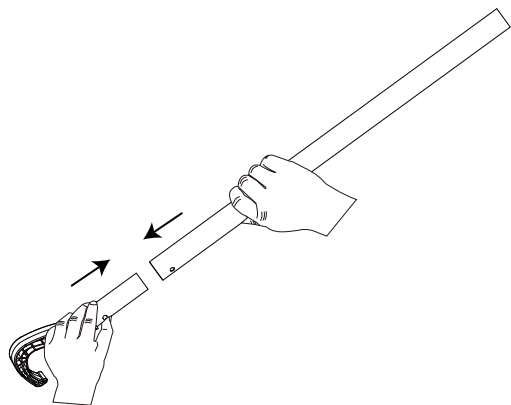


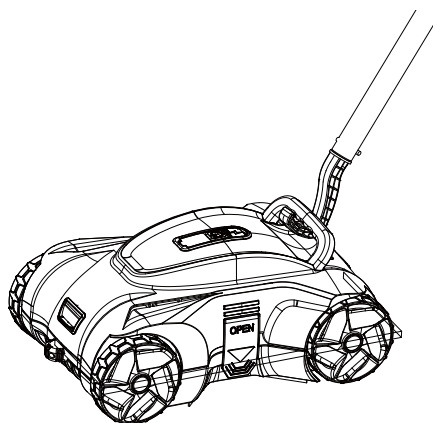
figure 12

Step6: Put the top cover back on the bottom, and press the locking panels to lock it with hearing a click. Please note that make sure upper part in right direction, or will be unable to lock the locking panels on the bottom (Figure12).

5.Hook Attaching.:



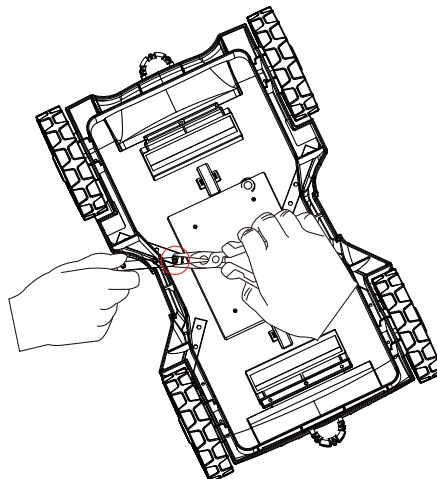
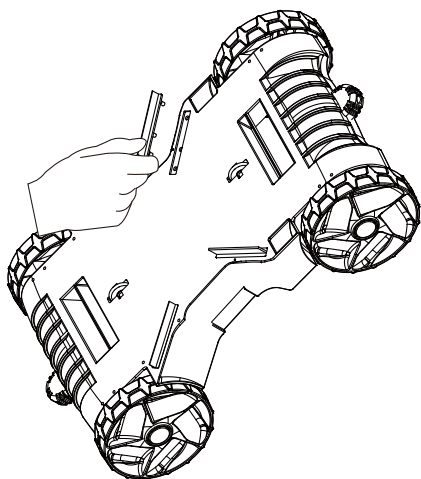
Please press the V-clip on the hook to attach the pole (the pole is not included).



Can hold the cleaner handle to take it out of water.

6.Bottom Squeegee Replacement.:

Pull off the worn squeegee and insert the new one with tool carefully as picture show.



If it is a smooth pool floor (e.g. fibreglass), removing the squeegee will run better, other floors work normally.

7.Trouble Shooting:

A. The LED indicator lights don't turn on when starting the cleaner

1. Check if the cleaner is low on battery. If the battery is low, it can be used after a full charge.

B. The indicator lights turn on after starting the cleaner but doesn't work after putting it in water after 30 seconds.

1. Check if the cleaner is low on battery. If the battery is low, it can be used after a full charge.

2. If the same problem occurs after fully charge, please check whether there is any obstacles at the bottom of the pool make the cleaner stuck , or the wheel is stuck by some objects.

C. If the cleaner doesn't work in the bottom of the pool

1. Check if the cleaner is low on battery. If the battery is low, it can be used after a full charge.
2. Check if the cleaner is stuck by obstacles at the pool bottom.
3. Check if the wheels of the cleaner get stuck by some objects.
4. Check if the inlet on the bottom get stuck by debris.
5. Check if the nozzles get stuck by debris.
6. Check if the filter tray mesh is blocked by small debris, especially algae and sludge, and please clean it. This product with filter tray to clean with suction is designed for routine general maintenance of your pool. Do not use for cleaning for longer accumulated heavy dirt. It is not used for cleaning algae.
7. Check if the front and rear anti-collision points fall off, causing the machine to stand still against the wall.

D. The cleaner walks slowly or the strength of the vacuum head is weak.

1. Check if the cleaner is low on battery. If the battery is low, it can be used after a full charge.
2. Check if the cleaner sucked into too much debris. If so, please clean the filter tray and the chassis of the cleaner to release the blockage and increase the suction.
3. Check if the wheels of the cleaner get stuck by some objects.
4. Check if the inlet on the bottom get stuck by debris.
5. Check if the nozzles get stuck by debris.
6. Check if the filter tray mesh is blocked by small debris, especially algae and sludge, and please clean it. This product with filter tray to clean with suction is designed for routine general maintenance of your pool. Do not use for cleaning for longer accumulated heavy dirt. It is not used for cleaning algae.
7. Check if the pool bottom is not even or the slope is too steep.

Attention: the cleaner is designed for flat pool bottom which is not suitable for the swimming pool that has an uneven bottom or a steep slope over 15°.