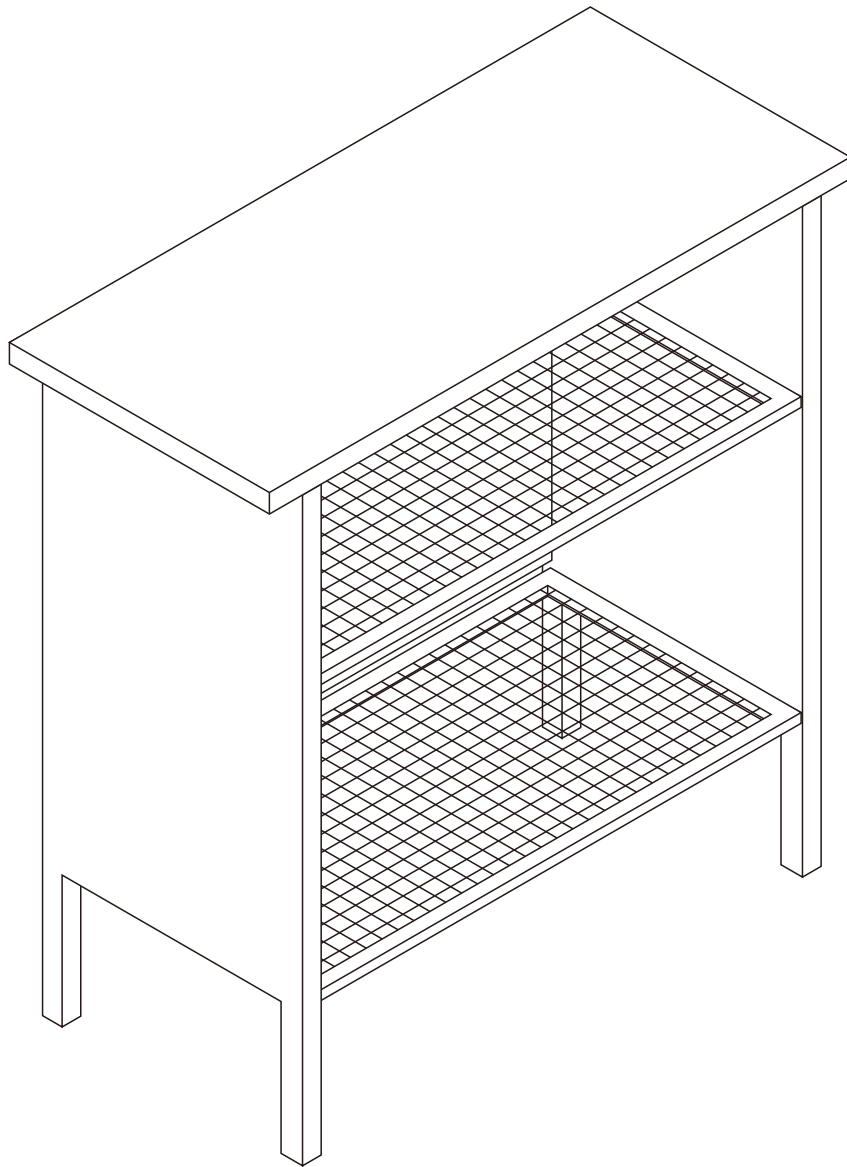
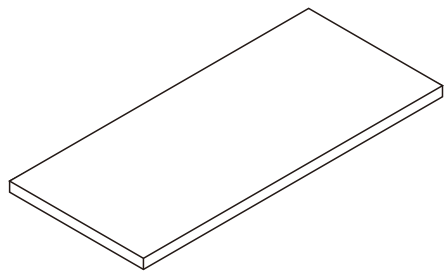


# Assembly Instructions

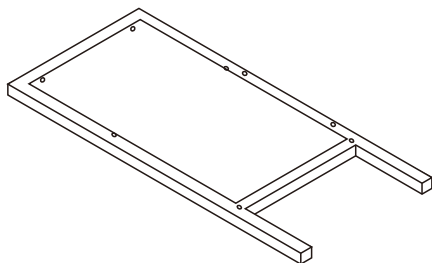


A



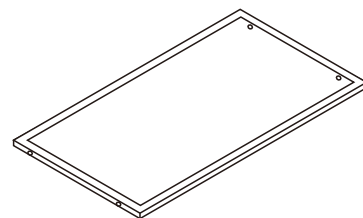
x1

B



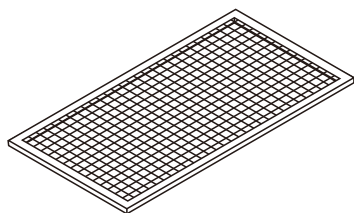
x2

C



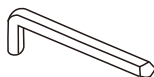
x1

D



x2

E



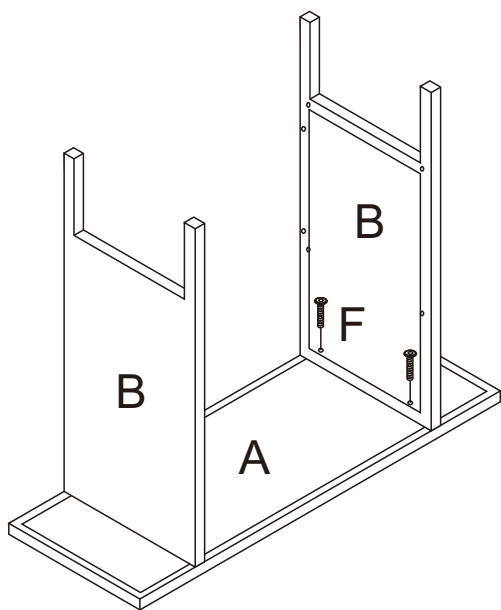
x1

F

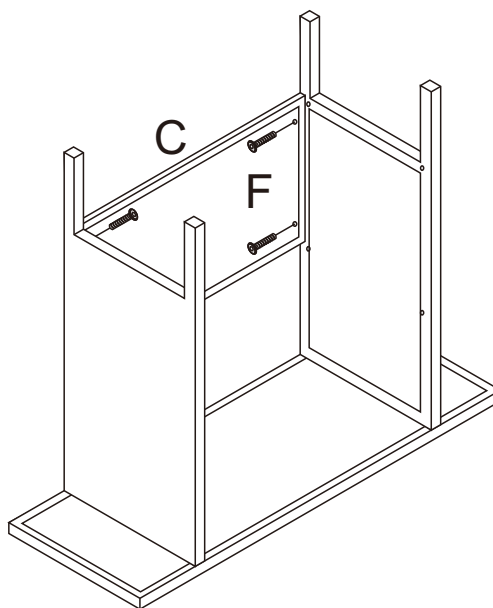


x16

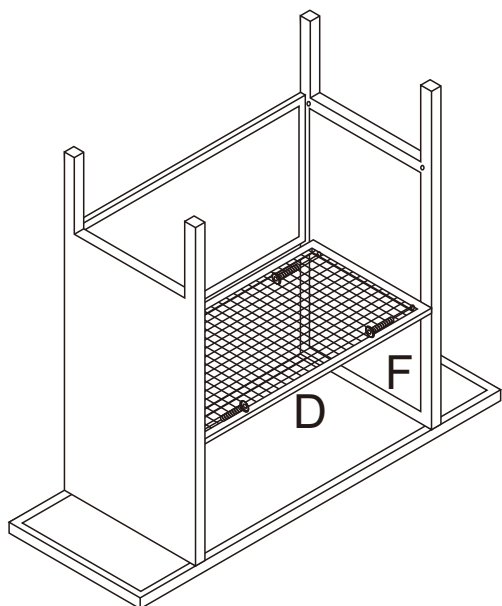
01



02



03



04

