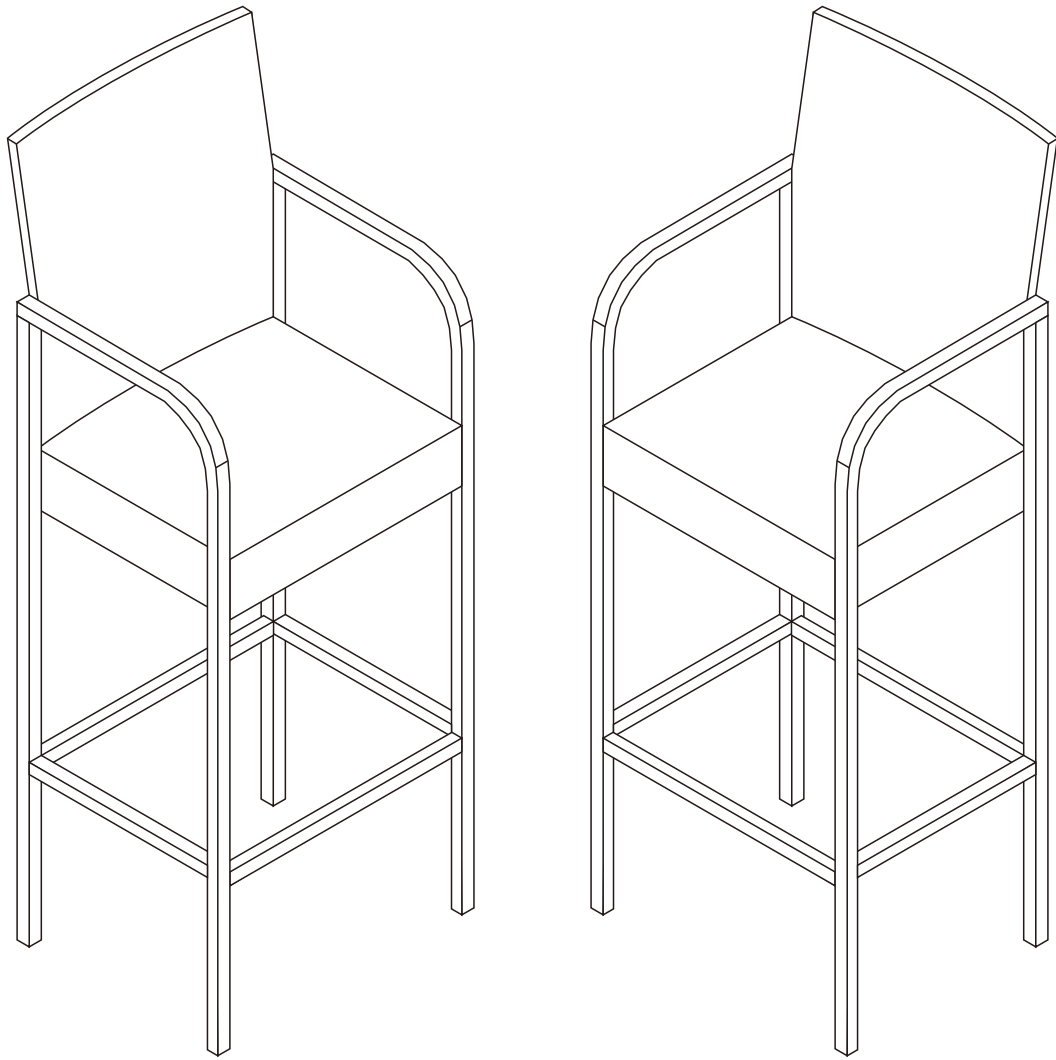
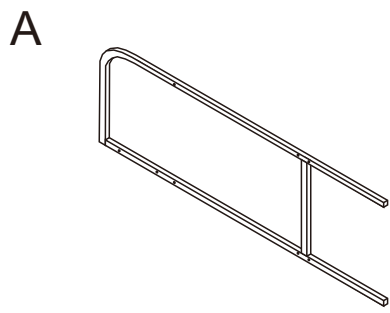
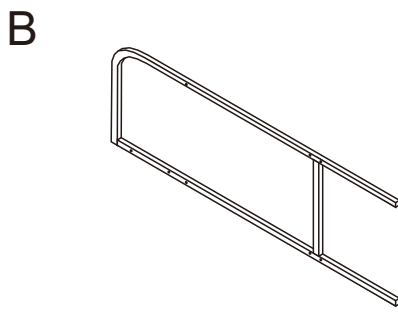


# Assembly Instructions

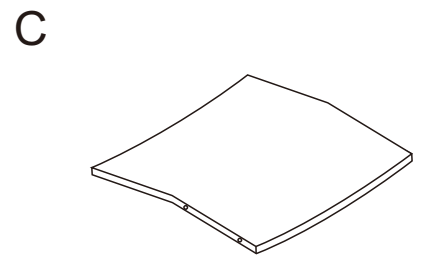




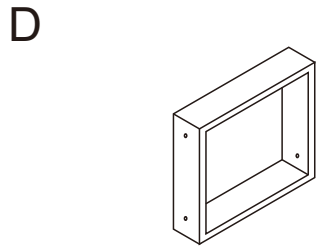
x2



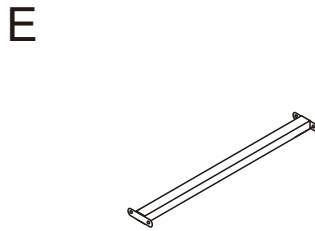
x2



x2



x2



x4



6x35mm  
x16

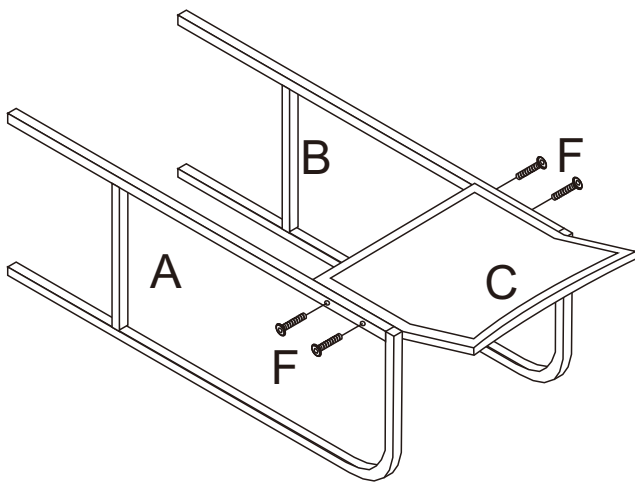


6x15mm  
x16

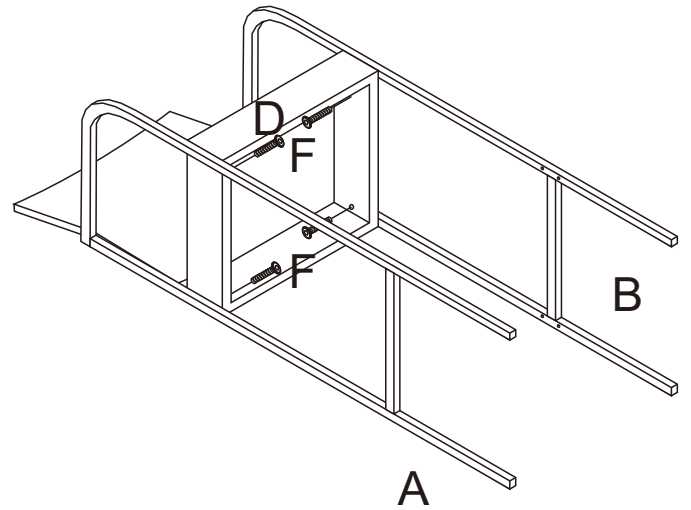


x1

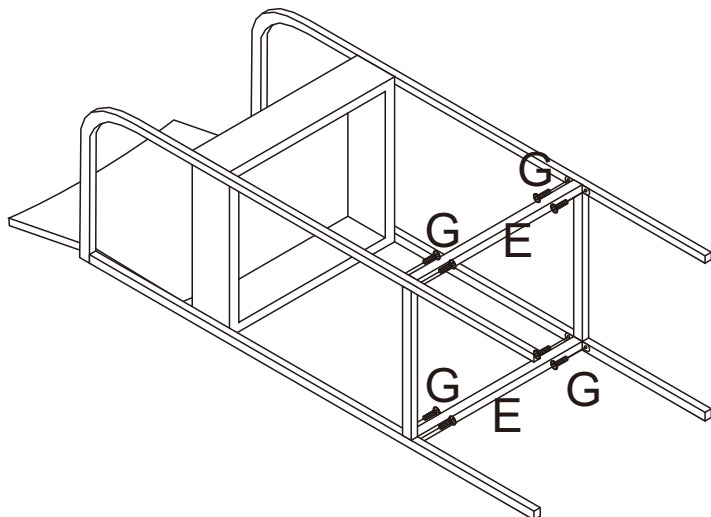
01



02



03



04

