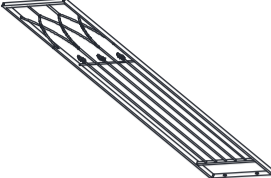

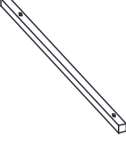
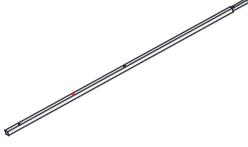

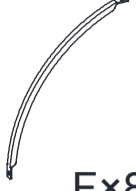







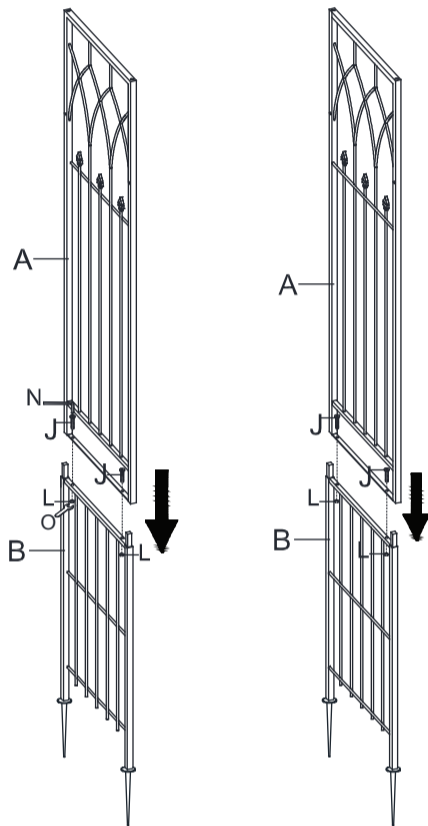


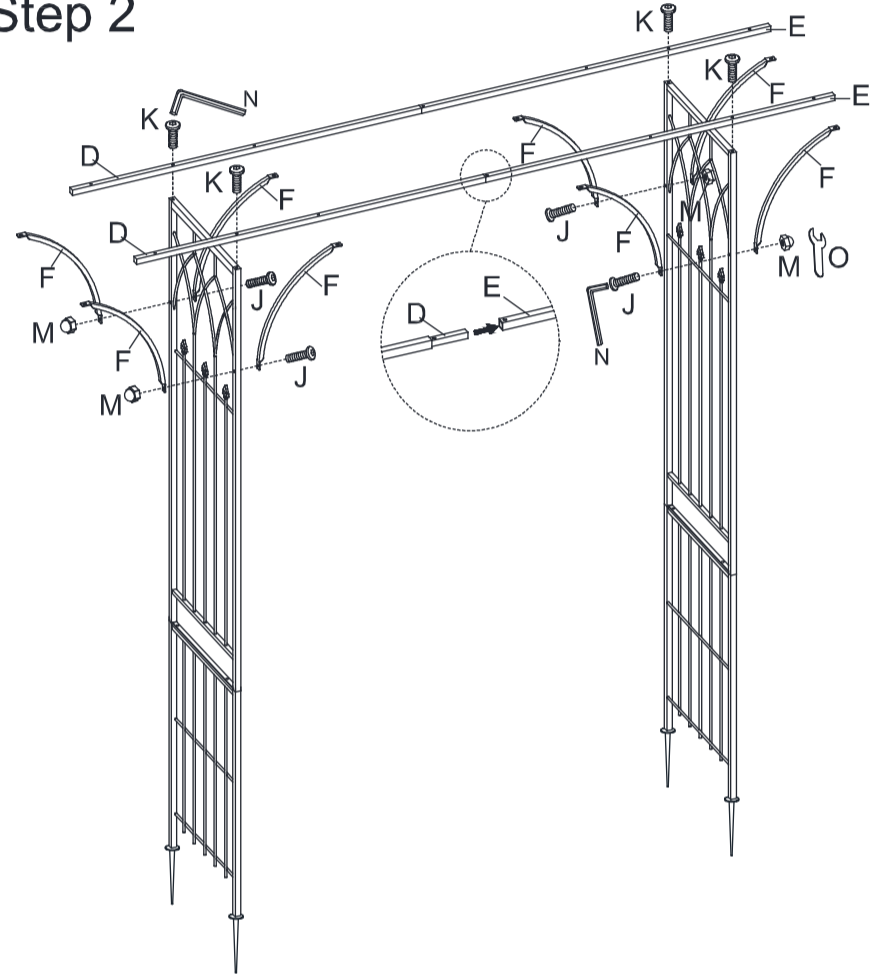
VINGLI METAL ARCH ASSEMBLY INSTRUCTION

 A×2PCS	 B×2PCS	 C×5PCS	 D×2PCS	 E×2PCS	 F×8PCS	
M6*35mm  G×10PCS	M6*25mm  J×8PCS	M6*30mm fixed on the product, please unscrew them when install  K×4PCS	M6  L×4PCS	M6  M×14PCS	 N×1PC	 O×1PC

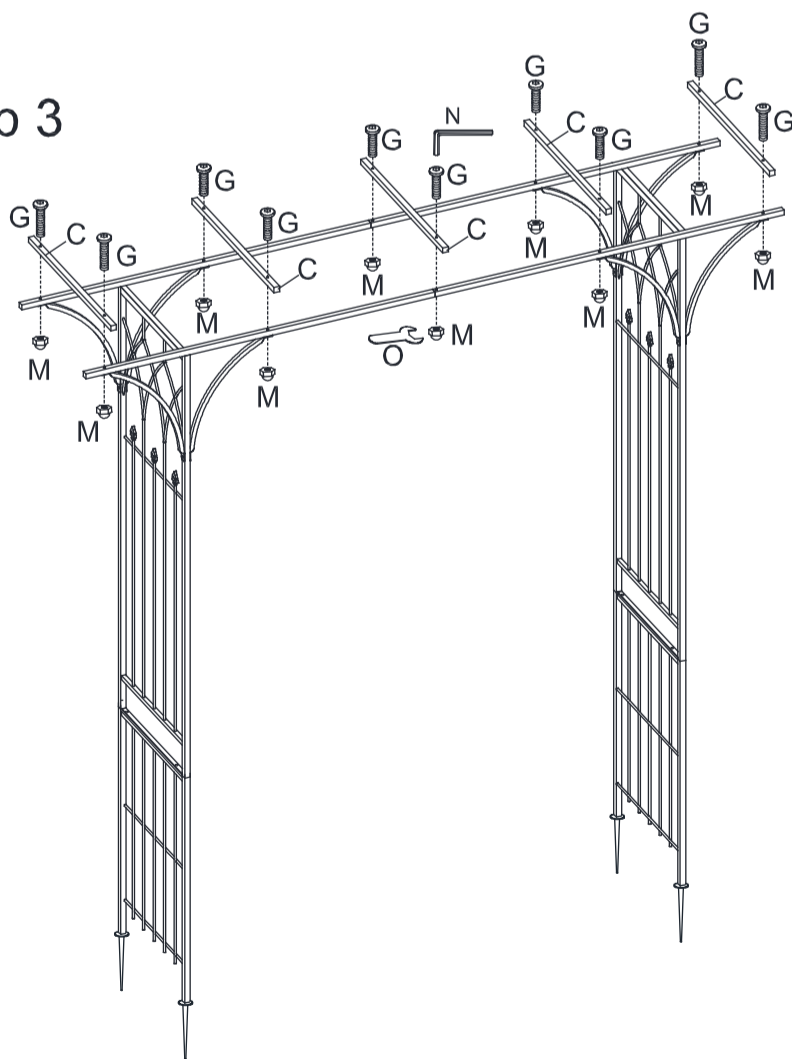
Step 1



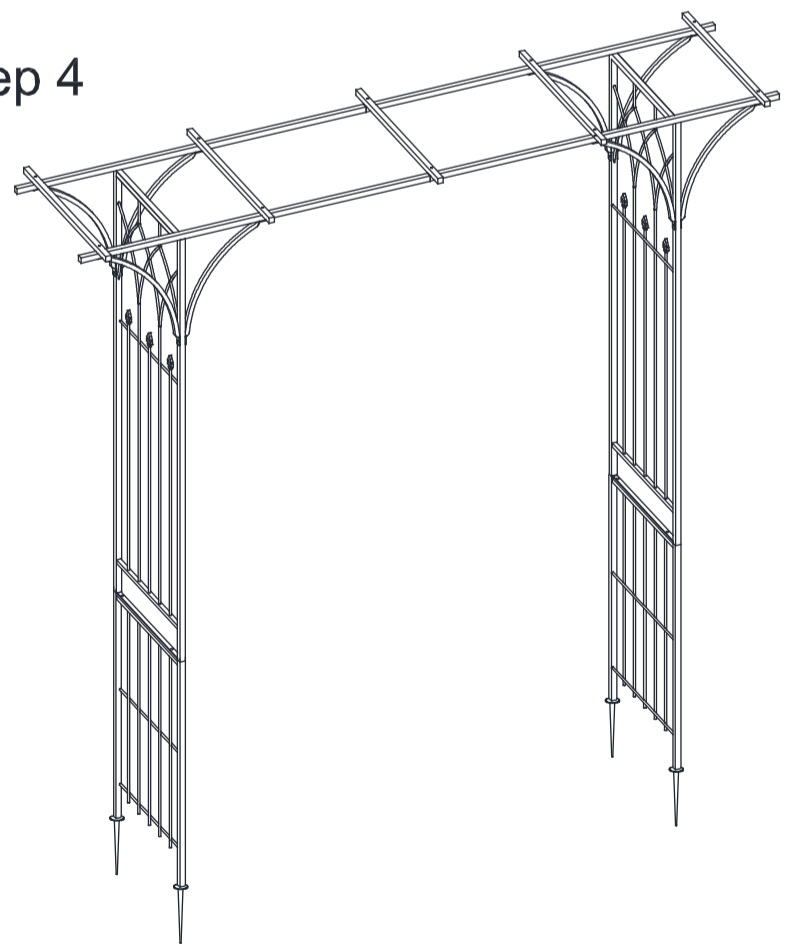
Step 2



Step 3



Step 4



VINGLI garden arch has 1-year quality guarantee, if you have any problem ,please feel free to contact our customer service, we will get in touch with you within 24 hours.