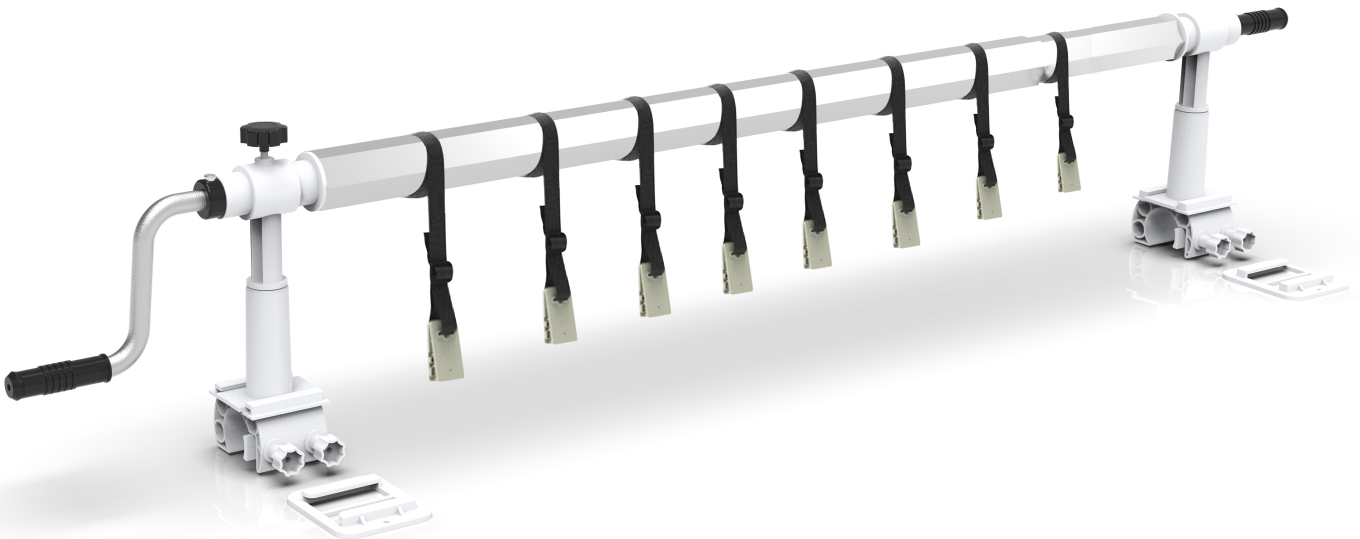




Instruction Manual for VINGLI Inground Pool Cover Reel



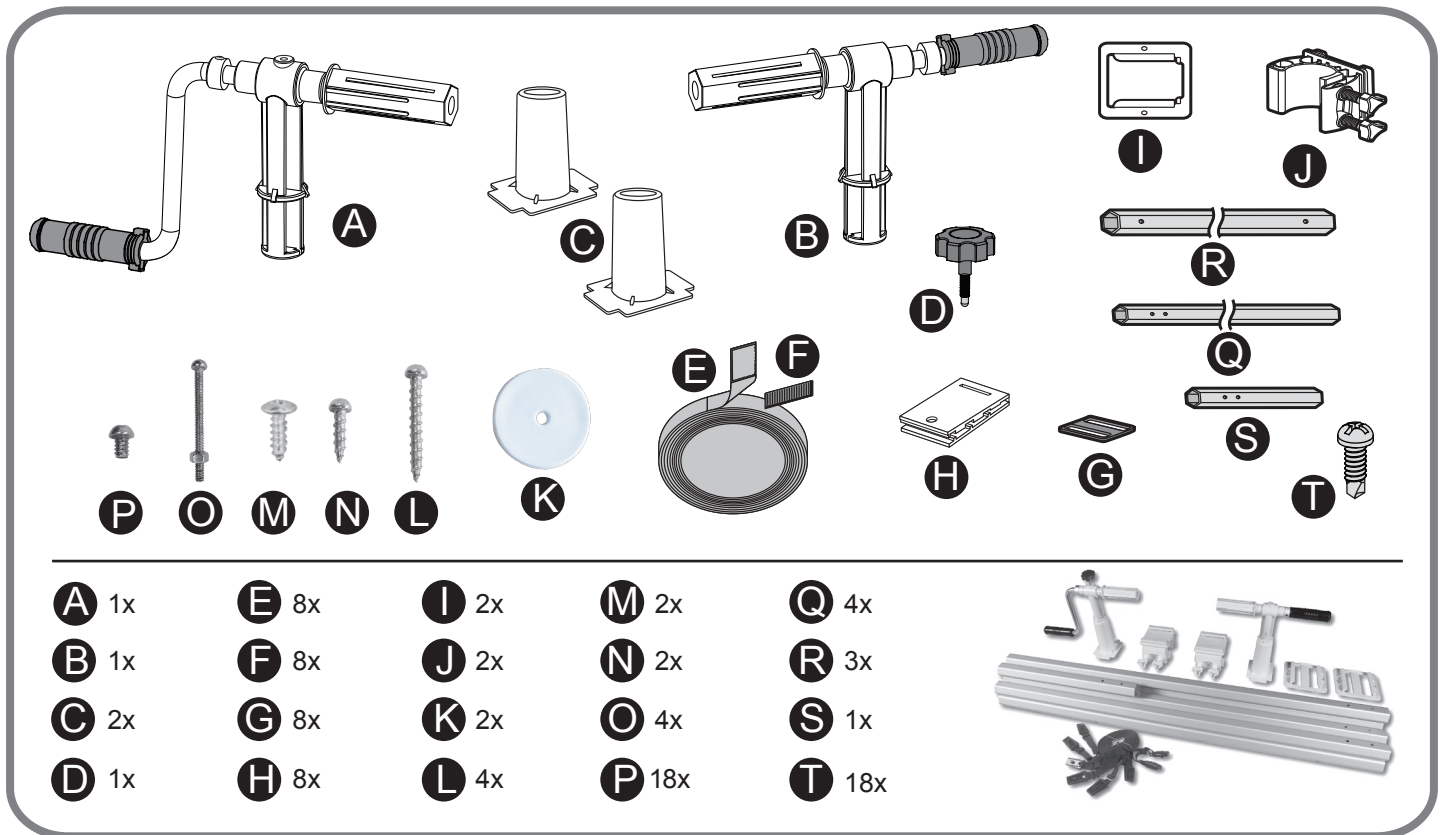
·This instructions detail the assembly of your product. Please read these instructions carefully and ensure that they are followed at all times.

·If you need help or have questions about your order, please contact our support team at support@vingli.com

·We hope you never have the need, but if you do, our service is friendly and hassle-free.

VINGLI above-ground pool cover reel

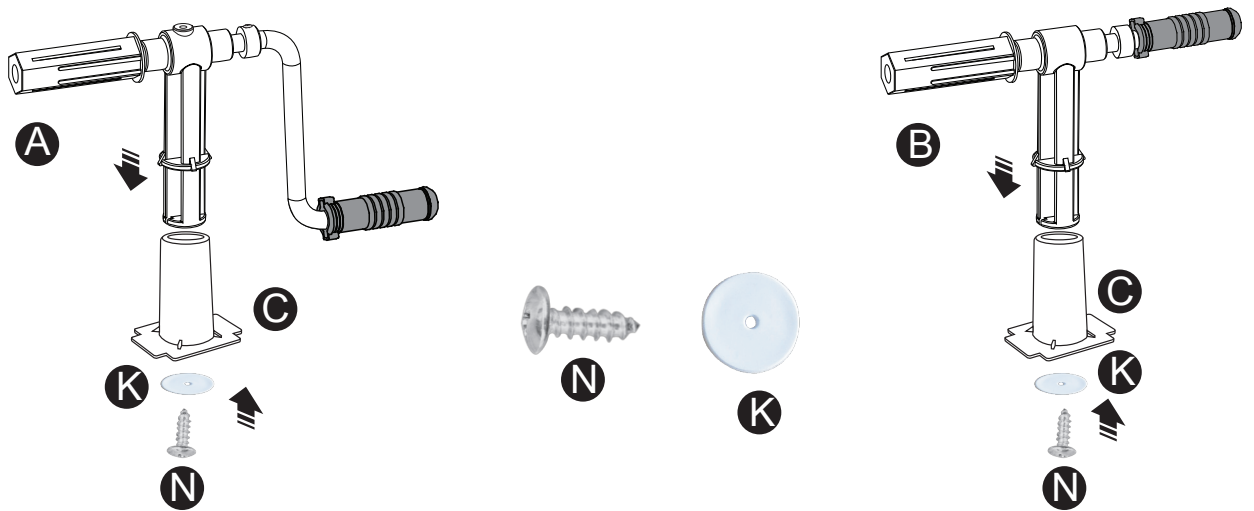
Content:



- | | | | | |
|-------------|-------------|-------------|--------------|--------------|
| A 1x | E 8x | I 2x | M 2x | Q 4x |
| B 1x | F 8x | J 2x | N 2x | R 3x |
| C 2x | G 8x | K 2x | O 4x | S 1x |
| D 1x | H 8x | L 4x | P 18x | T 18x |

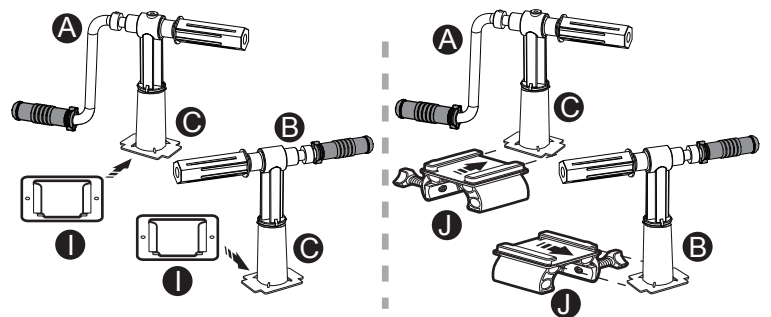
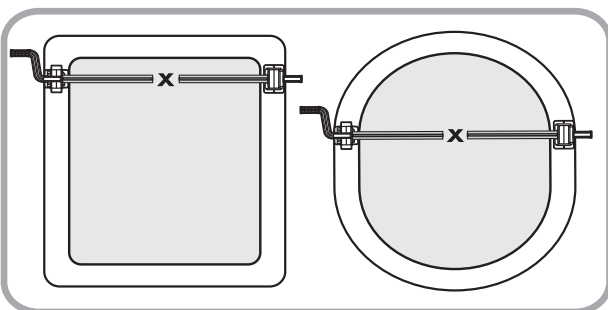
PART NO.	DESC.
A	Crank frame
B	End frame
C	Frame support
D	Threaded knob
E+F+G+H	Buckle and strap
I	Base plate, for mounting on pool ledge
J	Clamp, for mounting on pool frame
P	Pan head screw
O	Bolt and nut
N	Self-tapping screw M5X16
M	Self-tapping screw M6X10
L	Long self-tapping screw M5X20
K	Plastic plate for frame support
R	Large hexagonal tube
Q	Small hexagonal tube
S	Hexagonal tube adapter
T	Pointed screw

1



Insert crank frame "A" into frame support "C", secure it with self-tapping srew"N" and plate"K".
Insert End frame "B" into frame support "C",secure it with self-tapping srew"N" and plate"K".

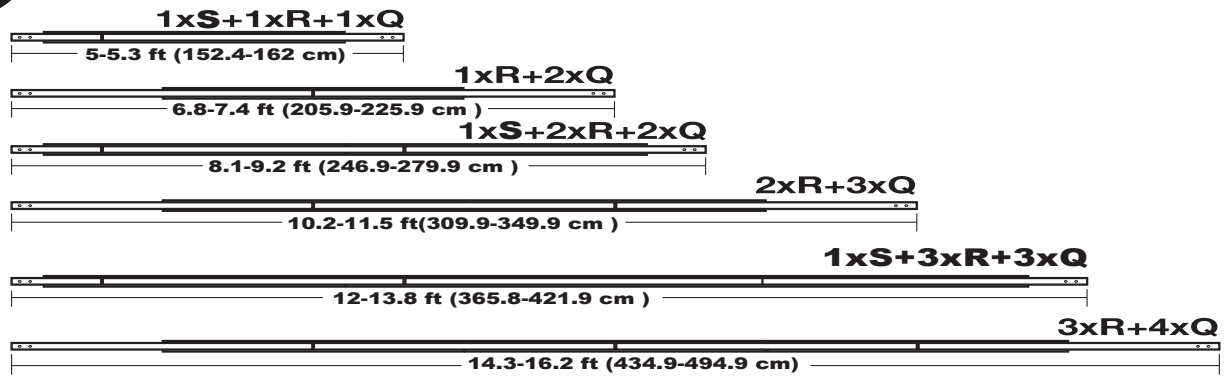
2



The required length of the tube set is the length "X" from the end of hexagonal tube connector on hub "A+C" to the end of hexagonal tube connector on hub "B+C",when both frames are positioned on each side of pool.

To measure the length "X, for pools with ledge, slide the two frame bottoms to the base plate"l" respectively until it stops at the rib on base plate. Place two frames on the ledge and measure the distance accordingly. For pools with tubular frame, slide" J" onto the bottom of two frames. Place them on the tubular frame and secure their position by tightening the screws on "J", and measure the distance accordingly.

3



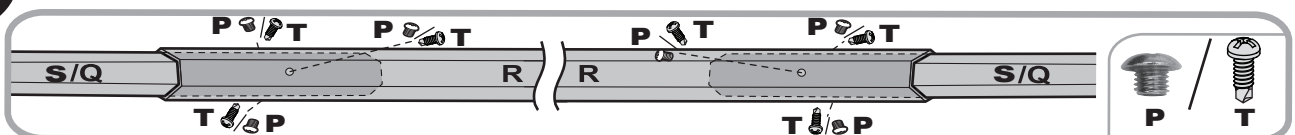
Number and type of Tubes	Pool Width	Unit overlap length	Number of overlap	Total Overlaps Size
1xS + 1xR + 1xQ	5 ft/1.5m	1.3ft/40 cm	2	2.6ft/78cm
1xR + 2xQ	6 ft/1.8m	1.6 ft/50 cm	2	3.3ft/99cm
	7 ft/2.1m	1.3 ft/40 cm	2	2.6ft/78cm
1xS + 2xR + 2xQ	8 ft/2.4m	1.6 ft/50 cm	4	6.6ft/198cm
	9 ft/2.7m	1.3 ft/40 cm	4	5.2ft/156cm
2xR + 3xQ	10 ft/3m	1.6 ft/50 cm	4	6.6ft/198cm
	11 ft/3.3m	1.3 ft/40 cm	4	5.2ft/156cm
1xS+3xR + 3xQ	12 ft/3.6m	1.6 ft/50 cm	6	9.8ft/294cm
	13 ft/3.9m	1.3 ft/40 cm	6	7.9ft/237cm
3xR + 4xQ	14 ft/4.2m	1.6 ft/50 cm	6	9.8ft/294cm
	16 ft /4.8m	1.3 ft/40 cm	6	7.9ft/237cm

Minimum tube set overlapping-1.3 FT(40CM)

Maximum loading weight of wet solar cover is 16KGS(35lbs) on maximum tube set span.

NOTE: The holes on tube "S" or "Q" should be positioned at both ends of the complete tube configuration, ready for connecting the hexagonal tube connectors on "A" and "C".

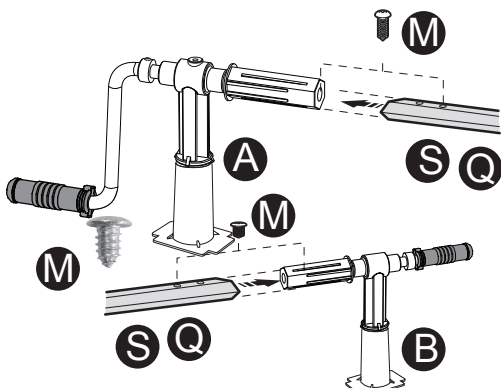
4



To secure the connection of tube "R" with "Q"/"S" inside, tighten three screws "P/T" in the holes on tube "R" as shown.(a minimum overlapping of 30cm(11.5in) is required)

We suggest you use " T "screws to fix it in case " P"screws fall out the tube when use it for a long time. If you have a screw driller, you could use " T" screws, if not, please use " P "screws.

5



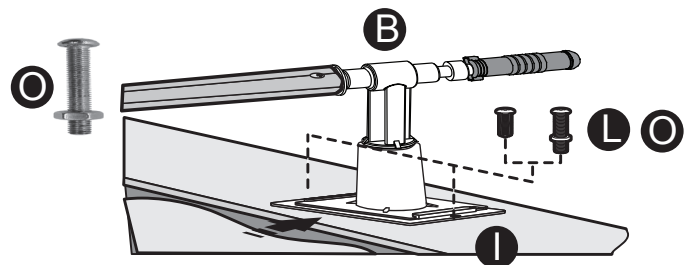
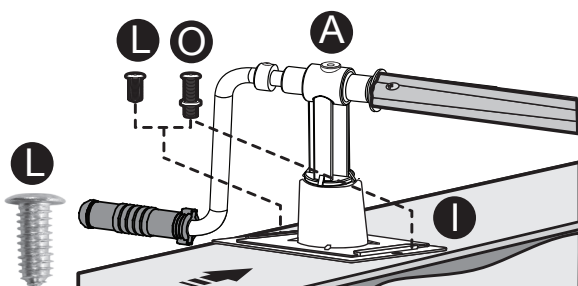
NOTE: The holes on tubes "Q" or "S" should be positioned at both ends of the complete tube configuration, ready for connecting the hexagonal tube connectors on "A" and "B".

After defining your desired tube configuration, slide the end of preassembled tube sets onto the hexagonal tube connector "A" and "B".

Make sure the second pre-drilled holes on the tubes "Q" or "S" and hexagonal tube connectors are aligned for screw assembly.

Secure the screw assembly with screw "M".

6



For the pool with ledge:

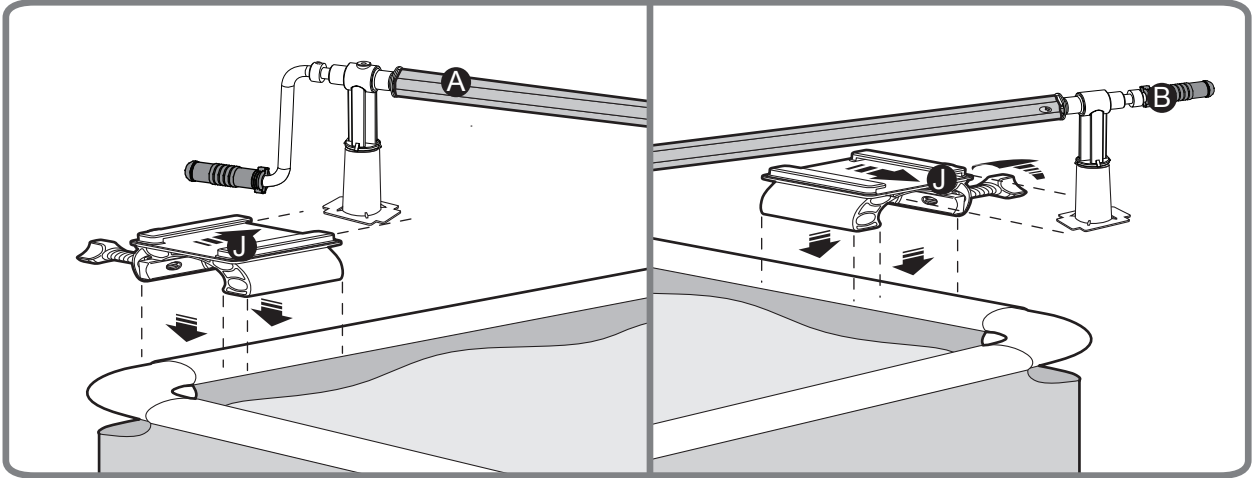
Place both frames with base plate "I" on the bottom, on the ledge.

Note: Pay attention to the base plate direction on the ledge. Side opening of base plate "I" under frame "A+C" should face in direction perpendicular to the ledge and outward from the pool. Side opening of base plate "I" under frame "B+C" should face in direction parallel to the ledge.

For the wood or plastic ledge, use self tapping screws "L" to secure the base plate directly to the ledge. For metal ledge, drill holes in it corresponding to the holes of the base plate "I". Use bolt and nut "O" to secure the base plate.

If it is necessary to adjust the tube length, loosen the 3 screws "P" on the tube "R" on either end of tube set. Adjust the length as required and tighten the screws "P" securely.

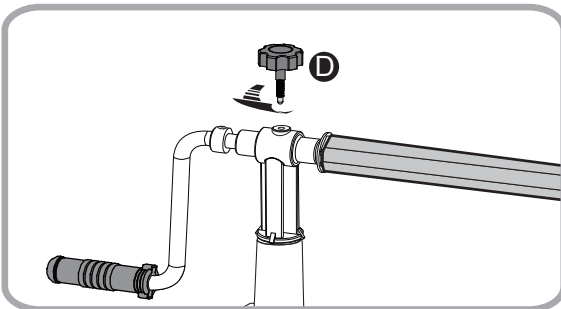
7



For pools with tubular frame:

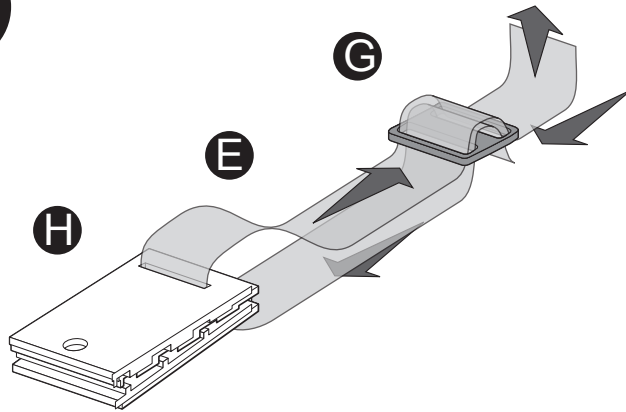
Position both frames with clamp “J” on bottom, onto the frame and tighten the screws to make sure their position. If it is necessary to adjust the tube length, loosen the 3 screws “P” on the tube “R” on either end of tube set. Adjust the length as required and tighten the screws “P” securely.

8



Make sure the screw “D” is screwed into frame “A”.

9

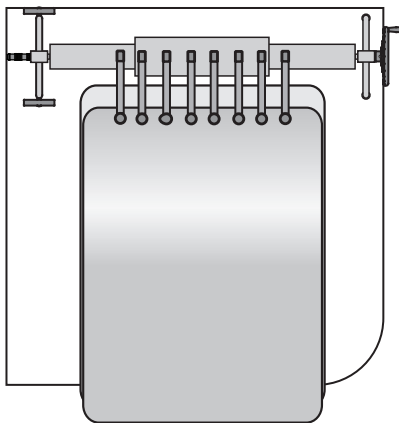


Stick 8 "F" onto the tube at even intervals. Stick belt "E" onto "F". Assemble "H" onto belt "E".

Open cover over the pool and set into position.

Pinch 8 holes and then attach "H" through it.

Make sure to position "H" along the cover at the same intervals as the straps are attached to the tube.



NOTE:

Please insure the white clip lock tightly in your cover, the clip only for once use, we have send 4 more white clips for your back up use. If you need more clips, please contact our support team at support@vingli.com

*** WORRY-FREE GUARANTEE**

We go above and beyond to provide the top quality product. This pool reel has one year warranty, if you have any questions or concerns about your order, please keep in touch with us, we'll always provide you a timely and satisfying solution.