
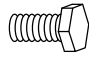

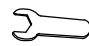
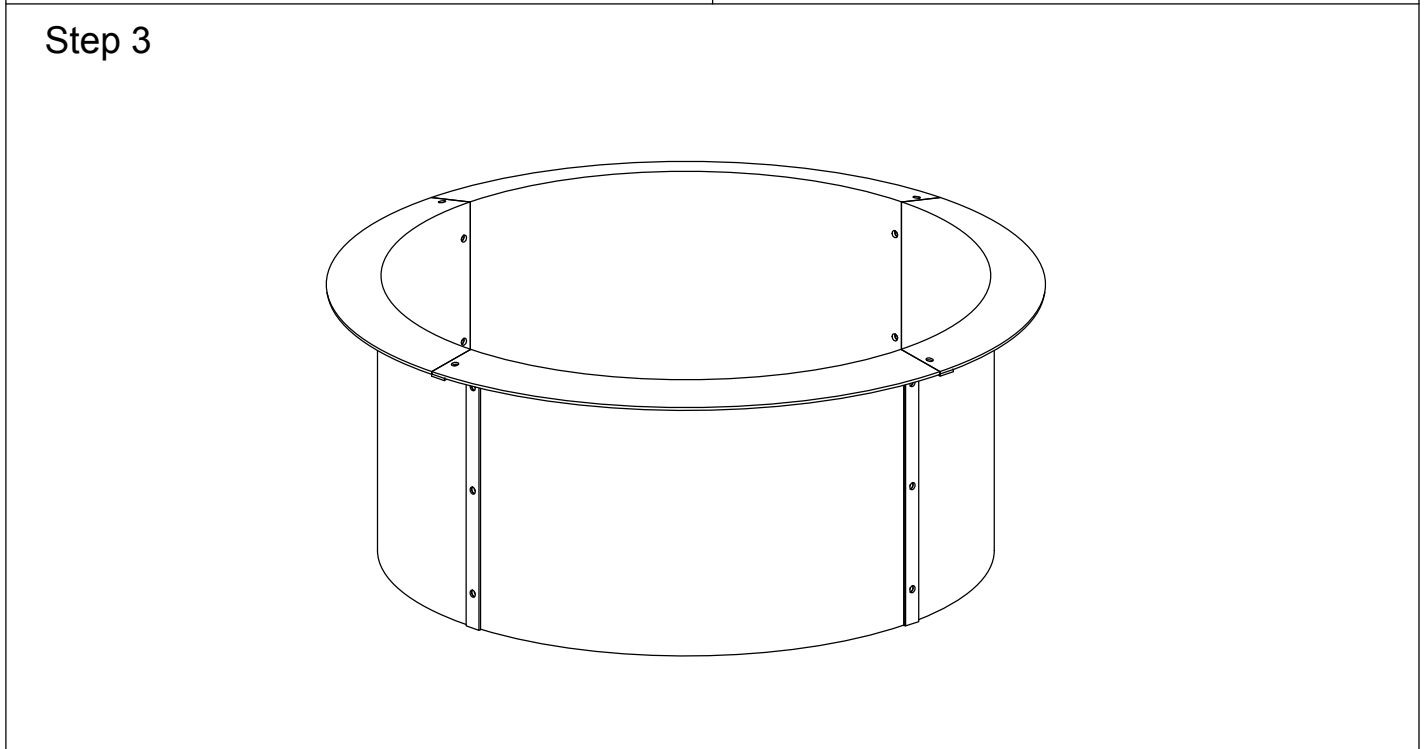
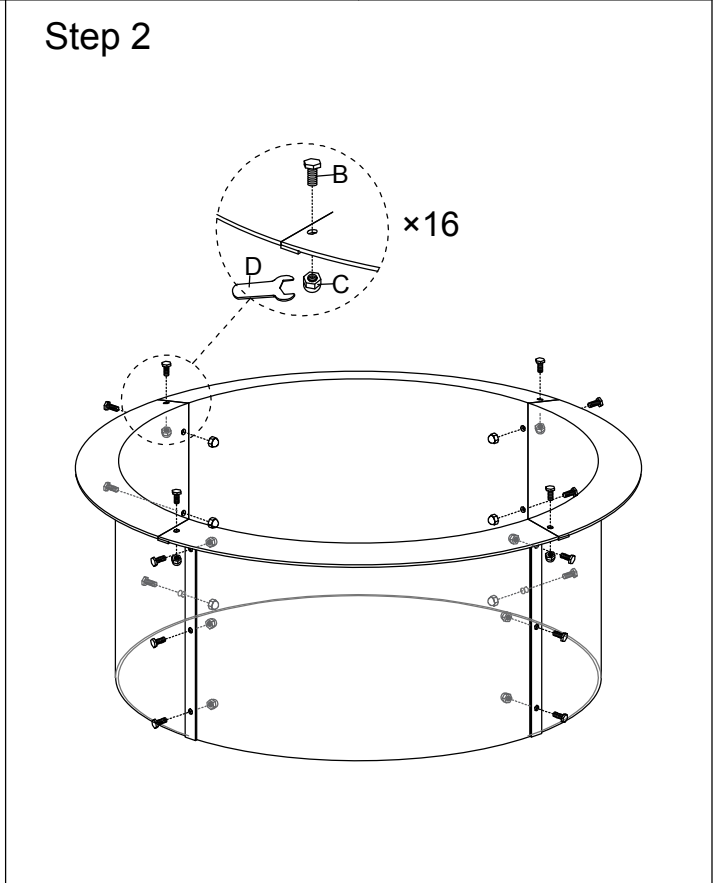
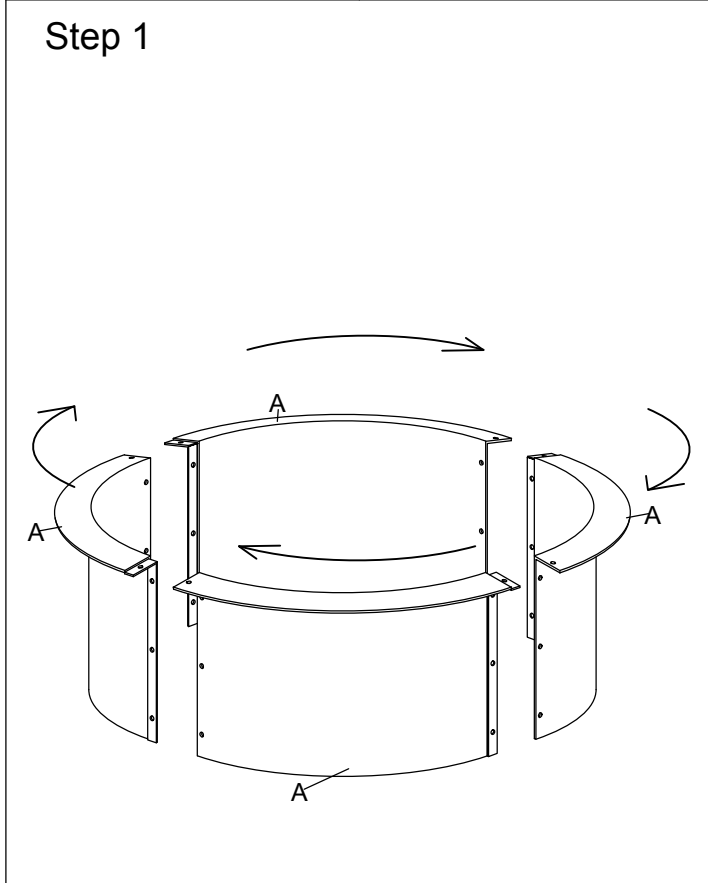


VINGLI METAL FIRE PIT RING ASSEMBLY INSTRUCTION

 <p>A×4PCS</p>	<p>M6*16pcs fixed on the product, please unscrew them when install</p>  <p>B×16PCS</p>	<p>M6*16pcs fixed on the product, please unscrew them when install</p>  <p>C×16PCS</p>	 <p>D×1PC</p>
---	---	---	--



For any quality or non-quality problems, just feel free to contact with our customer service. You can also contact us by sending emails to: support@vingli.com