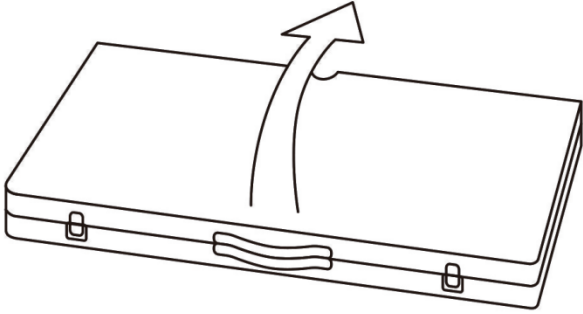
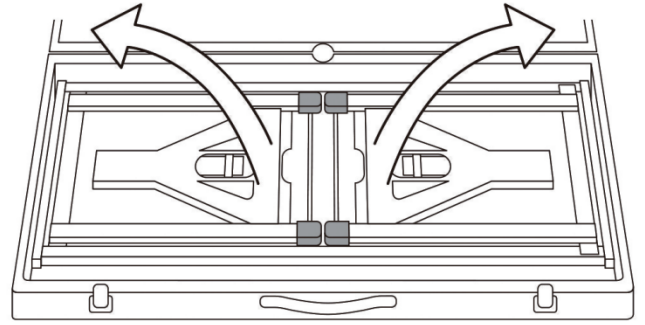


VINGLI PICNIC TABLE OPERATION INSTRUCTION

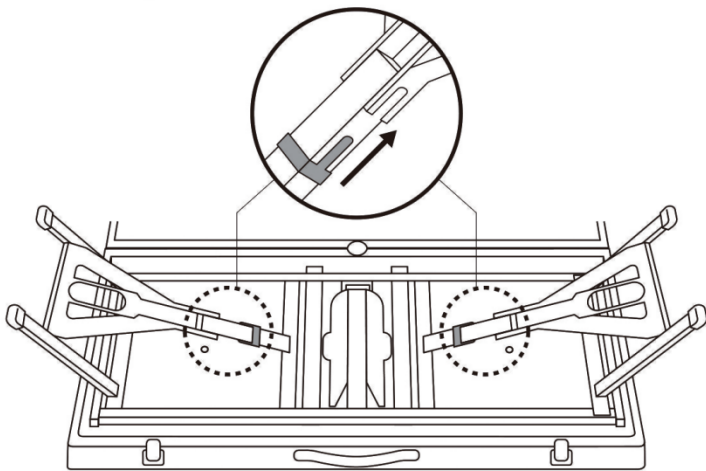
1 Unlock the securing tabs and open it.



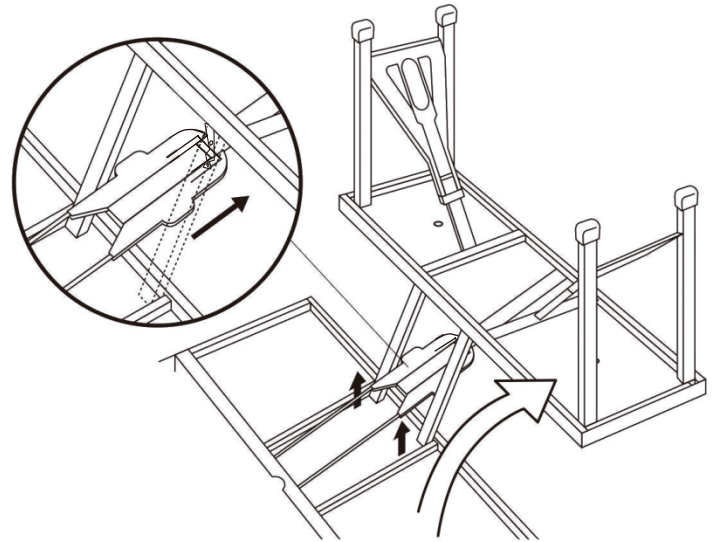
2 Pull out the individual stool legs.



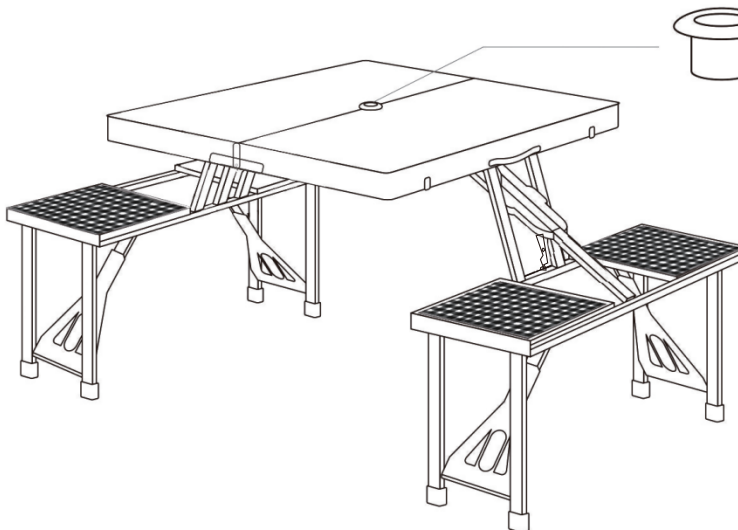
3 Lock the Y-shaped support struts into place.



4 Lift the unit stool out and lock the safety clip into place.



5 Turn the table into the upright position ensuring all things are place.



If you have any questions or complaints, please contact us any time. We promise to solve your issue in 24 hours.
support@vingli.com
www.vingli.com

If you like our product or service, it is highly appreciated if you could leave us a feedback and review on Amazon. As a growing company, your support would be our the greatest motivation.
Thank you!