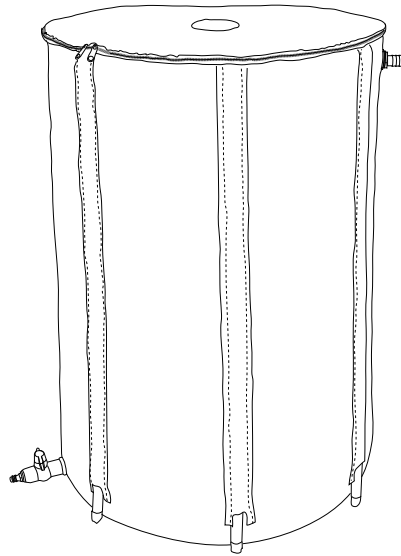




COLLAPSIBLE RAIN BARREL

ASSEMBLY INSTRUCTION



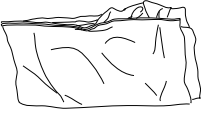

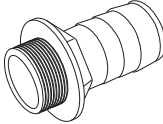
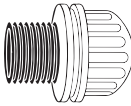
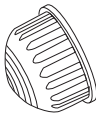
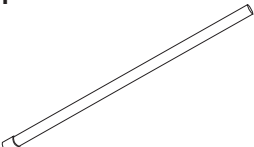
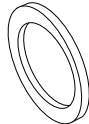

Thank you so much for shopping with us.
For any issue or concern, welcome to contact us via: support@vingli.com
If you like our product, please share your experience with us on Amazon!



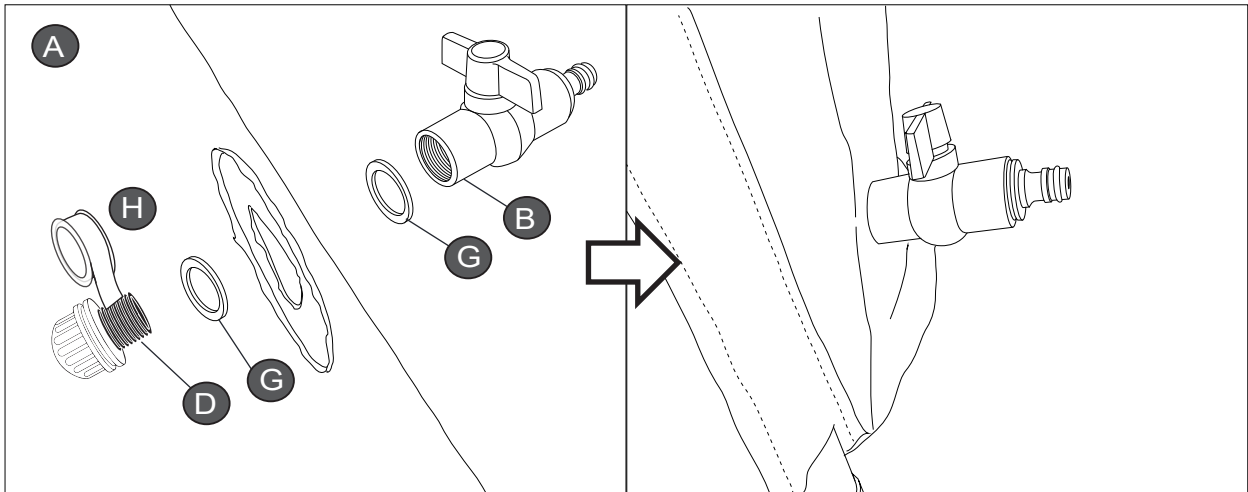
Warning

The barrel is "sit still" design, any inappropriate pull or drag may cause product damage. Please place the barrel on the even ground. Don't move the barrel while it is full of water. Keep children out while in use.

PARTS LIST

A  1pc	B  1pc	C  1pc	D  1pc
E  1pcs	F  6pcs	G  4pcs	H  1pc

ASSEMBLY STEPS



Step 1 - Assemble Bottom Drain Spigot

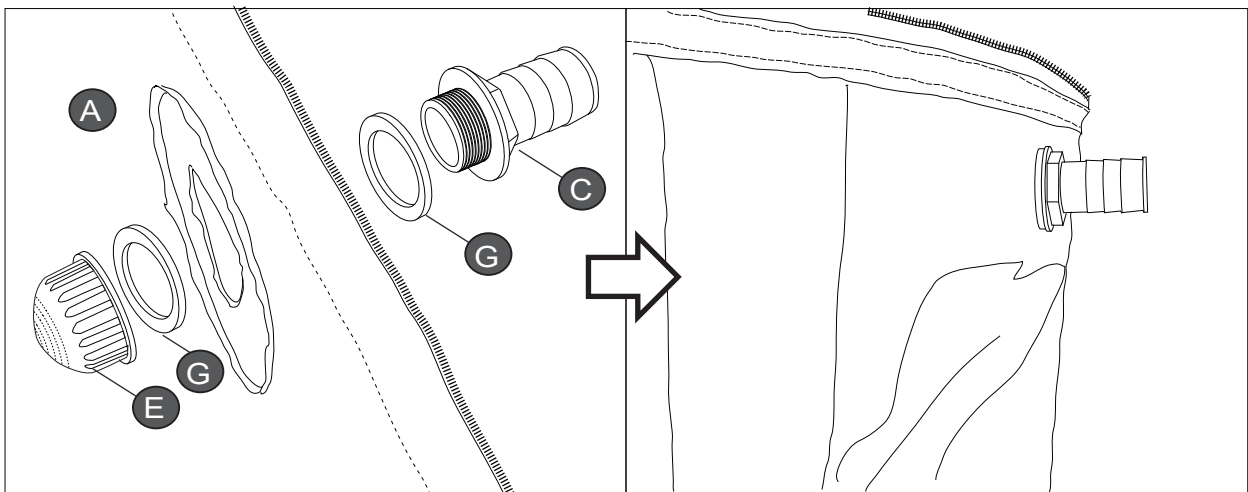
Wrap the screw thread of Part D with Part H PTFE thread seal tape.

Insert the spigot into the BOTTOM hole of the rain barrel.

Make sure one rubber washer is outside of the rain barrel, the other one is inside.

Adjust the spigot to a right direction.

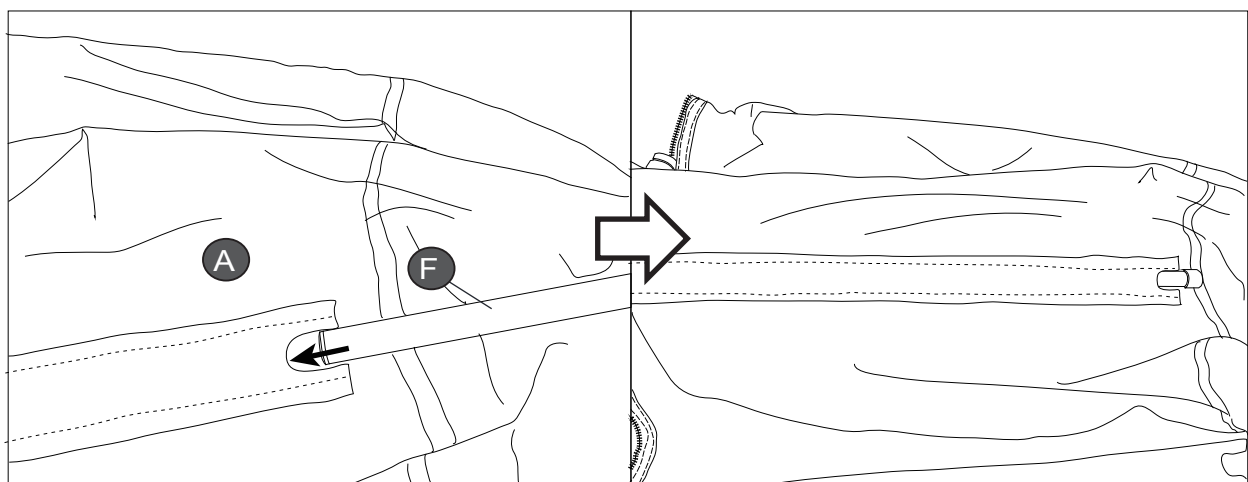
⚠ If you find the spigot is leaking, firstly pls double check if your parts were assembled correctly or not; secondly try to rewrap the PEFE thread seal tape; if it's still leaking, pls contact us for help.



Step 2 - Assemble Top Overflow Valve

Insert the valve into the TOP hole of the rain barrel as instruction.

Make sure one rubber washer is outside of the rain barrel, the other one is inside.



Step 3 - Assemble the Rain Barrel Frame

Insert all the poles into the slot openings on the bottom of the rain barrel.