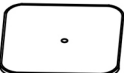

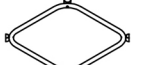












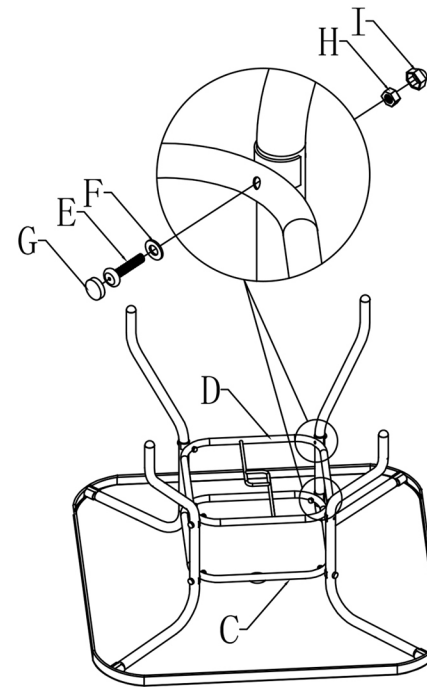
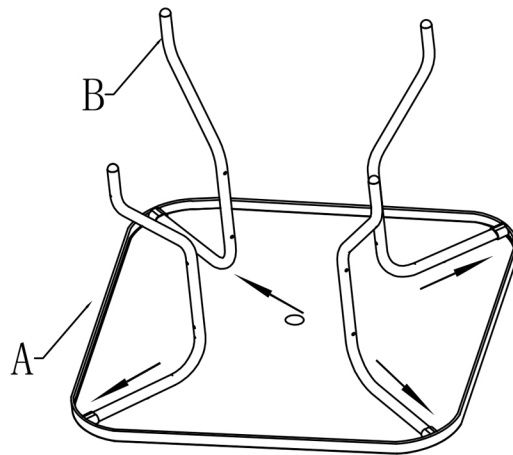
# VINGLI Outdoor Glass Square Table

Sincerely thank you for shopping with us!

Package include:

A		1
B		4
C		1
D		1
E	 M 6 * 5 0	8
F		8
G		8
H		8
I		8
J		1
K		1

- ① Insert legs into the movable plastic caps, make sure the caps are on the center of each corner.



- ② Do not screw in too tight yet while install part C. Keep adjusting the legs to the perfect position, then you may screw in part D and C all together tightly.

Finish look.

