



Instruction Manual for VINGLI Inground Pool Cover Reel



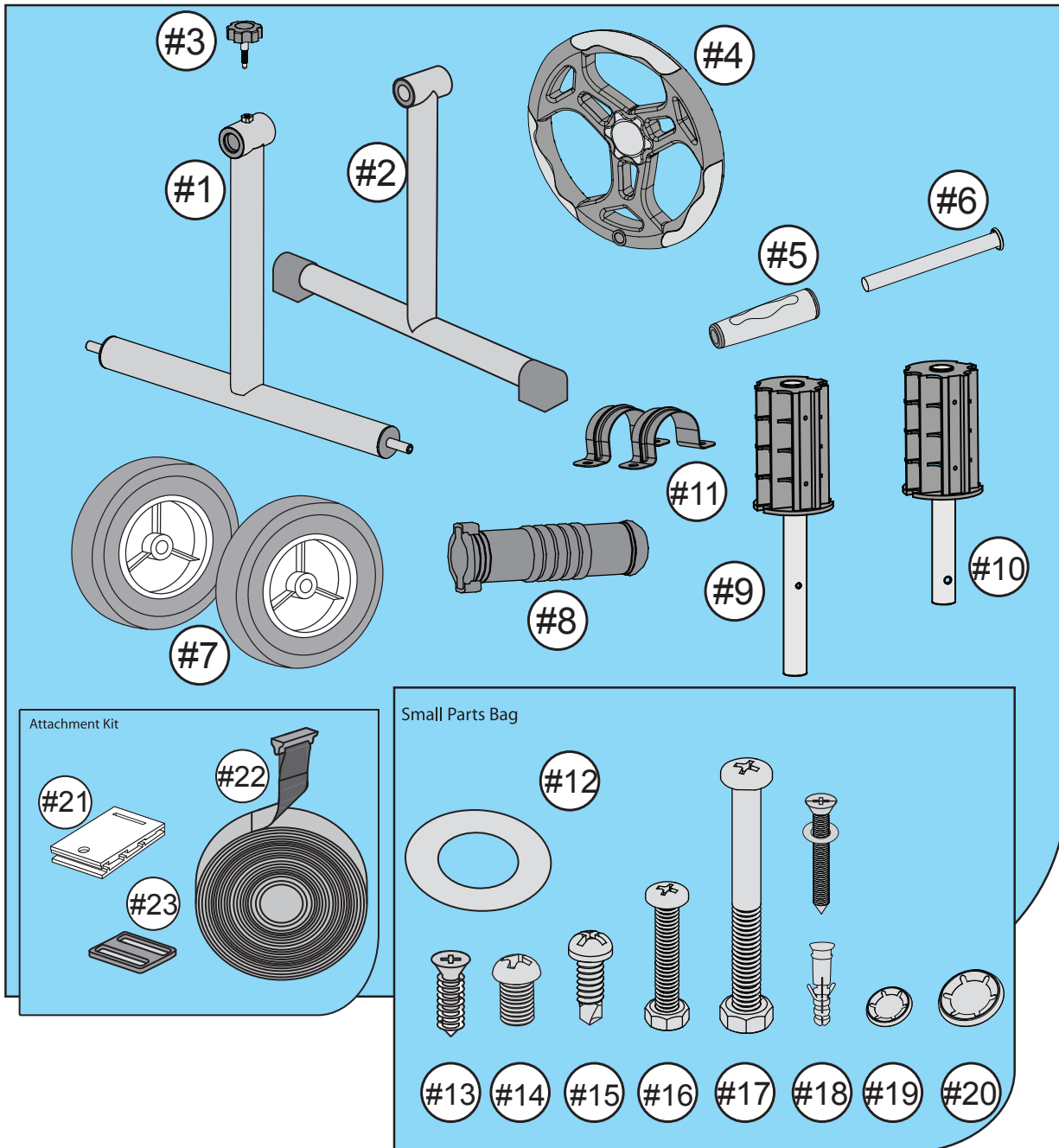
·This instructions detail the assembly of your product. Please read these instructions carefully and ensure that they are followed at all times.

·If you need help or have questions about your order, please contact our support team at support@vingli.com

·We hope you never have the need, but if you do, our service is friendly and hassle-free.

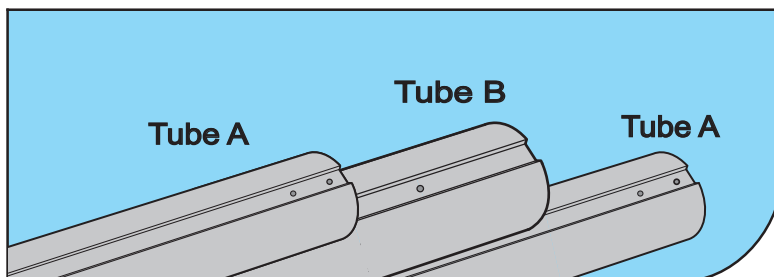
Inground Pool Cover Reel

Part list:



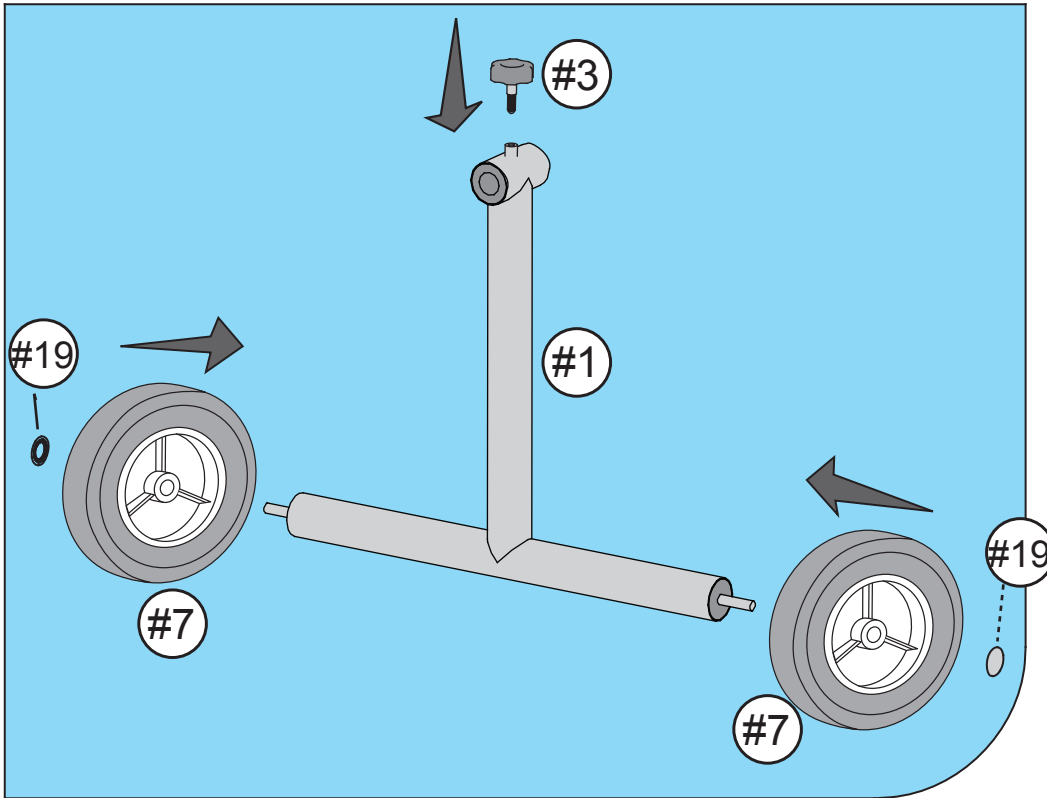
Ref	Qty
#1	1
#2	1
#3	1
#4	1
#5	1
#6	1
#7	2
#8	1
#9	1
#10	1
#11	2
#12	1
#13	4
#14	6
#15	6
#16	1
#17	1
#18	4
#19	2
#20	1
#21	12
#22	8
#23	8

● Part#19,#20 has redundant for backup! Parts #11,#18 are not really needed, unless you living in windy city. Use part #11 & #18 to secure the non-wheeled side to your deck.



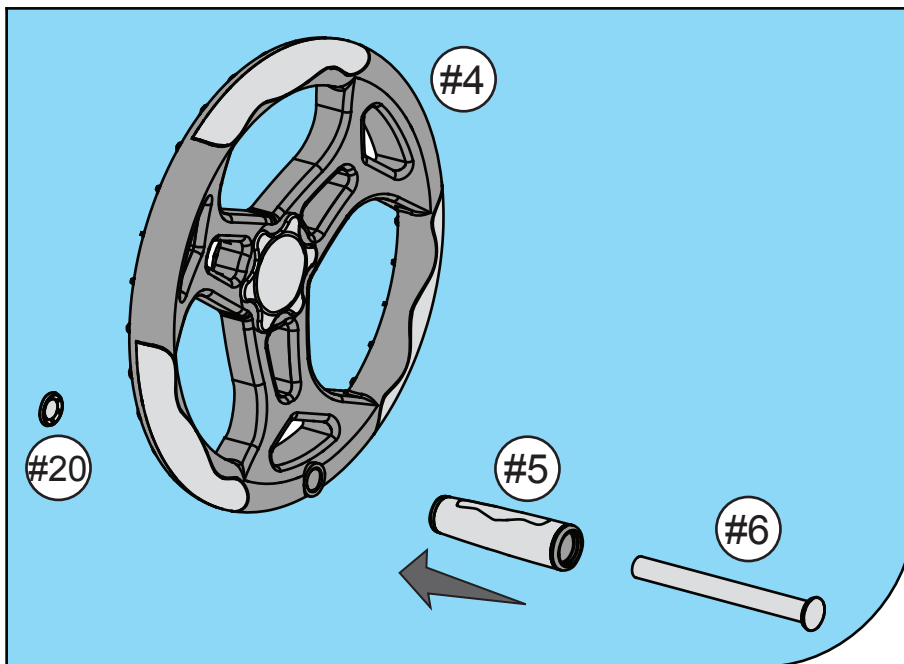
● Note: Item ship in two boxes and may arrive separately. Part No. #1-#23 in one box; Tube Bx1 and Tube A x2 in another box(Note: 1 of Tube A inside of Tube B)

Parts needed: #1,#3,#7x2,#19x2



1

Parts needed: #4,#5,#6,#20



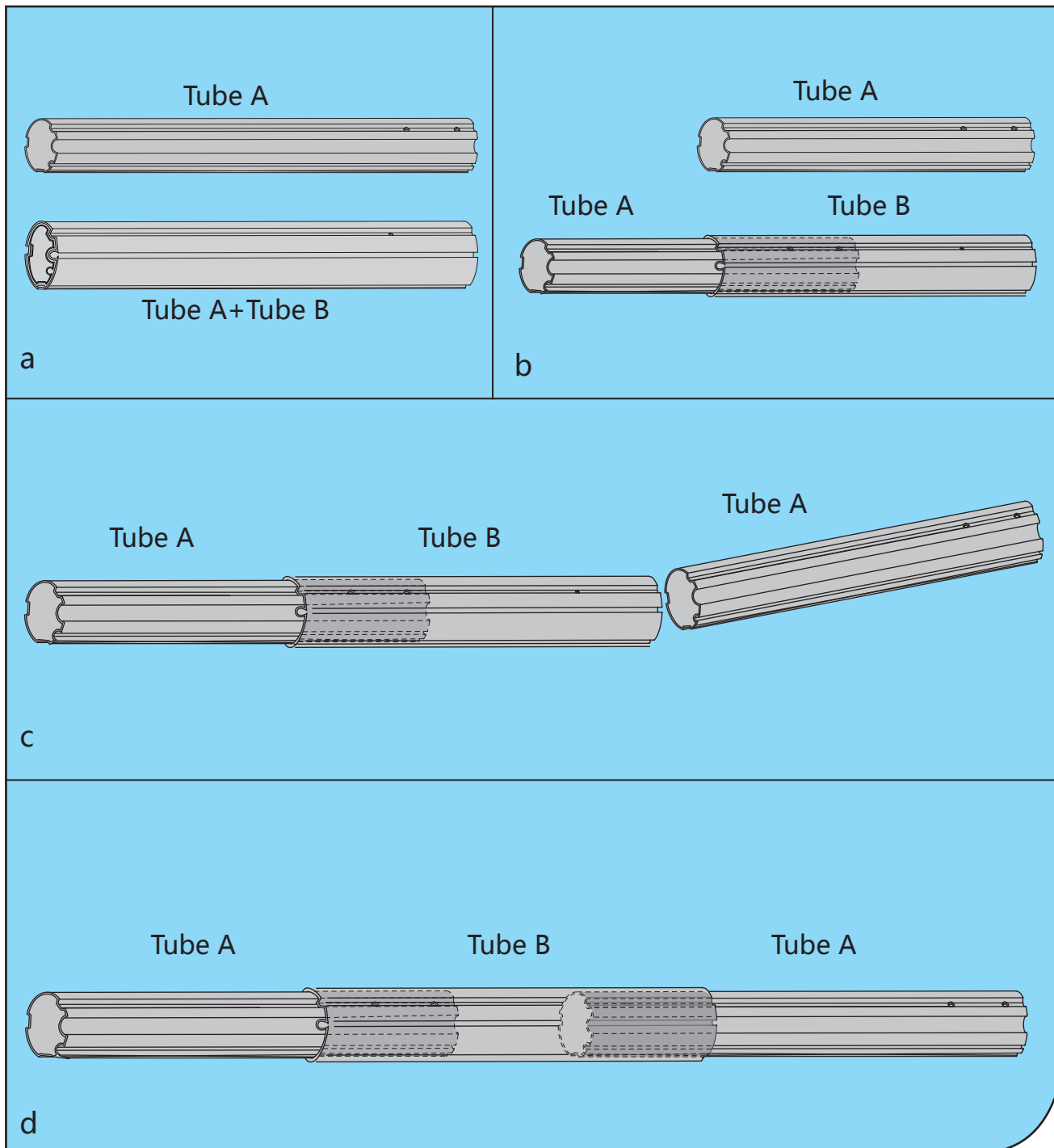
2

• NOTE: We suggest you use hammer to knock number # 20 into # 6.

Parts needed: Tube A x 2 , Tube B x 1 (NOTE: 1 of Tube A inside of Tube B)

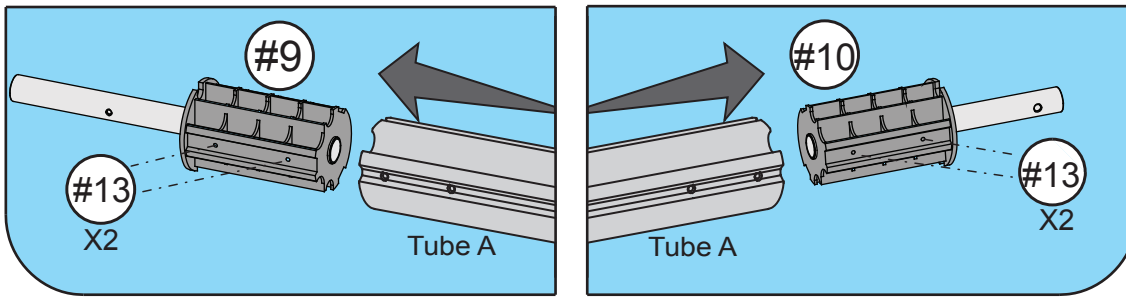
- Please connect Tube A and Tube B for backup.
- NOTE: There are two side on tube A, only one side of them can fit into tube B, please try two side, if one side can't fit, then just try another side, it will absolutely fit into the tube B.

3



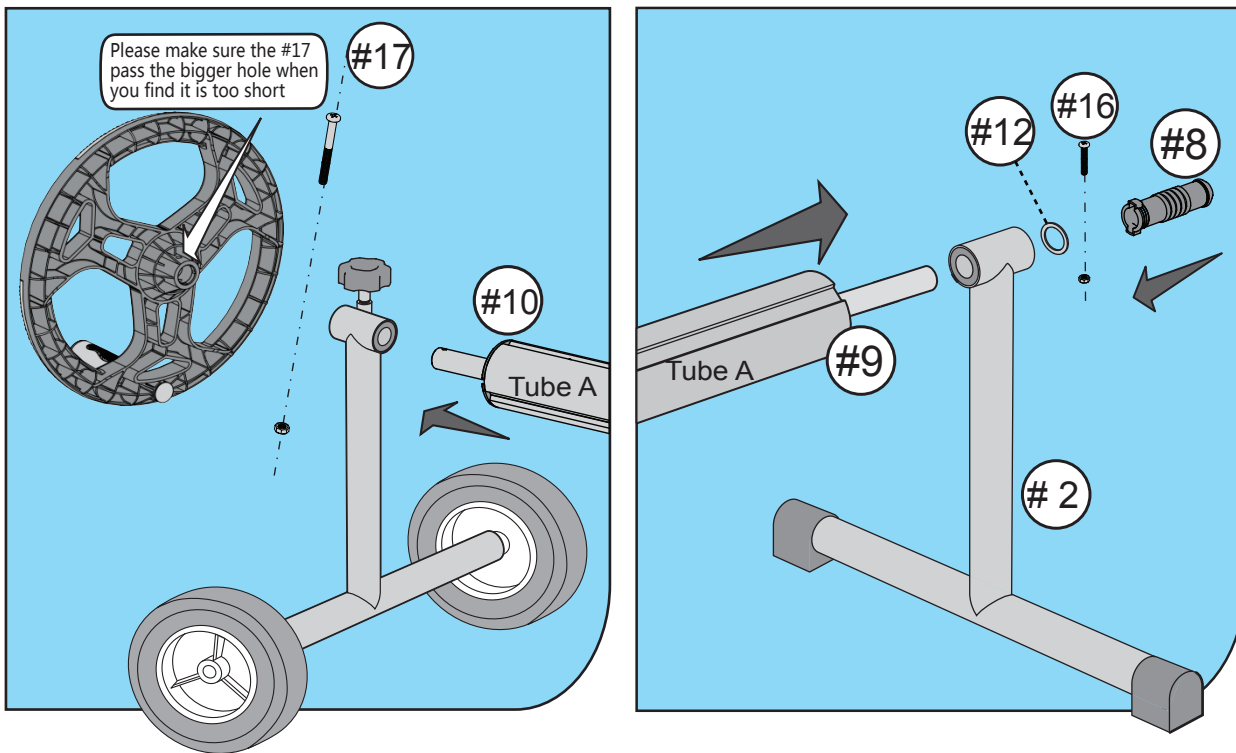
Parts needed: #9,#10,#13 x 4,Tube A x 2

- Use part #13 fitting part #9 and #10 to 2 end Tube A



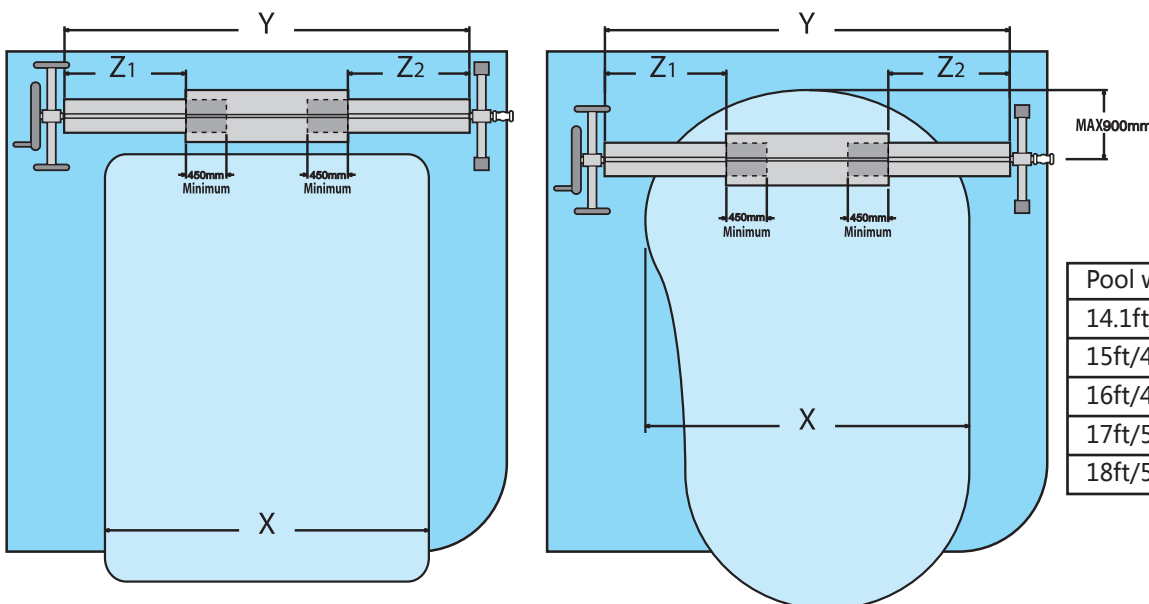
4

Parts needed:#2,#8,#12,#16,#17



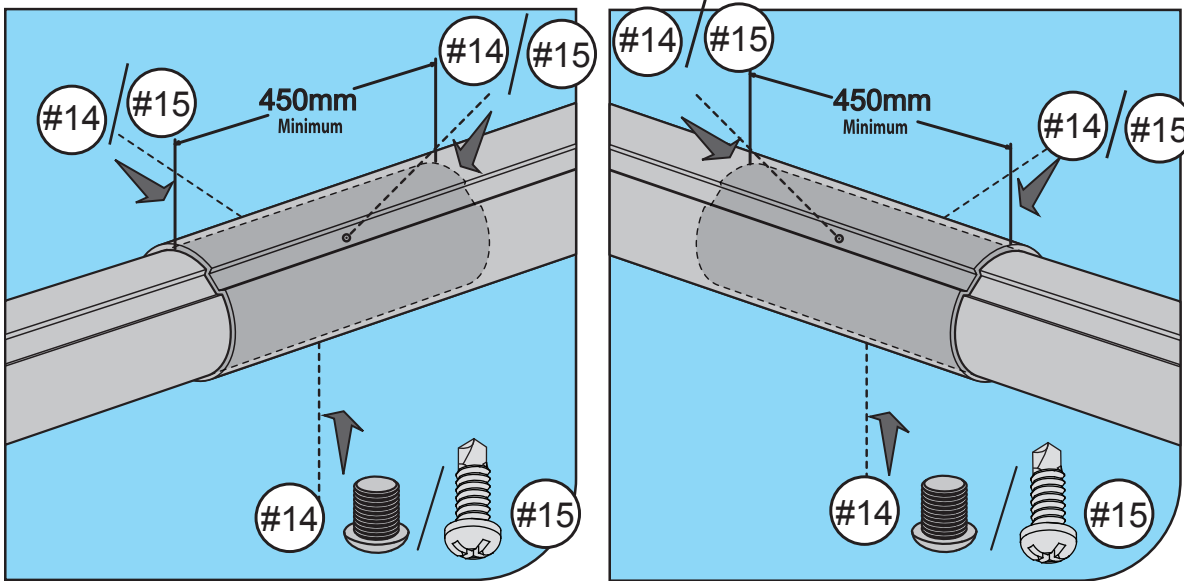
5

- Use ruler to measure the overlap of the tube then fix it with screws. We have list the overlaps size for your refer.



6

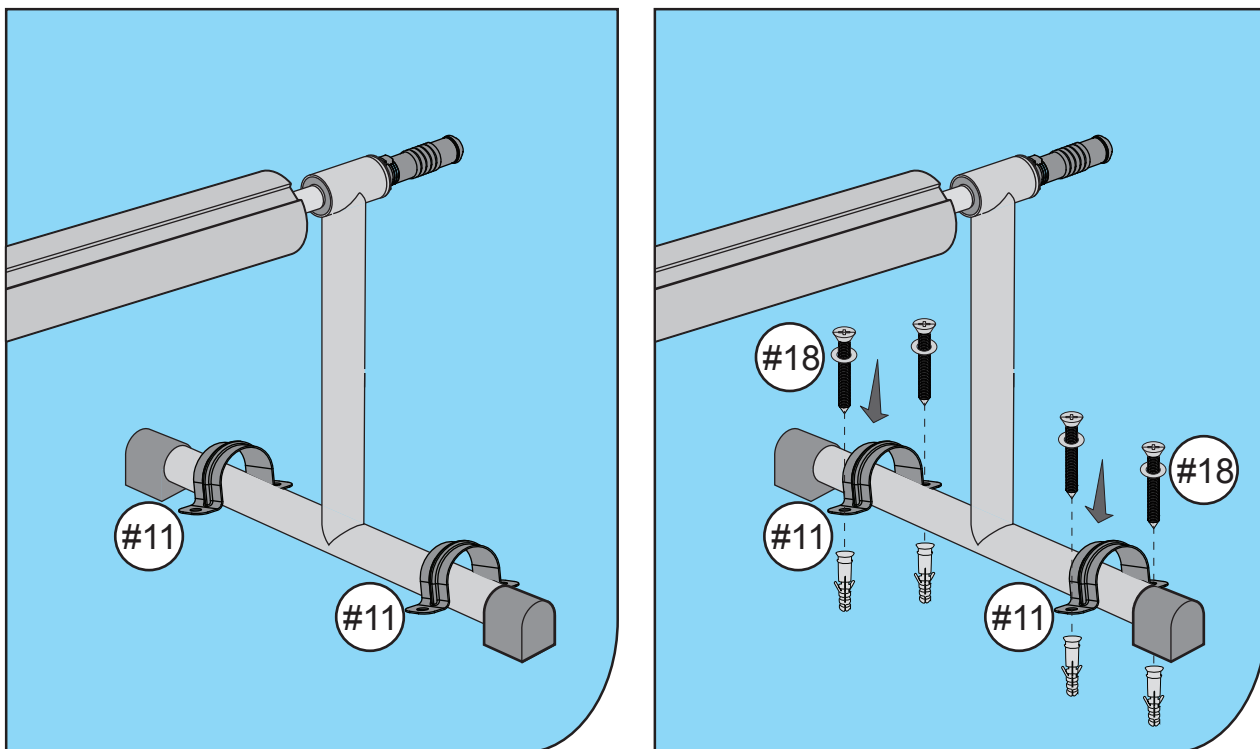
7



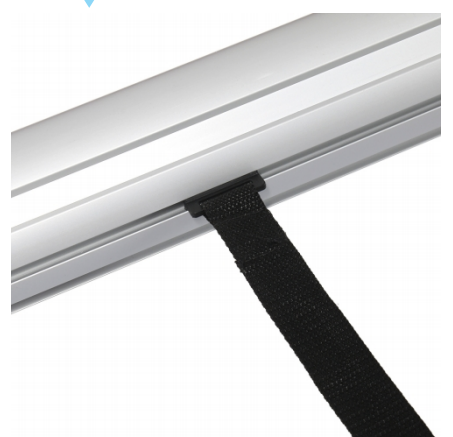
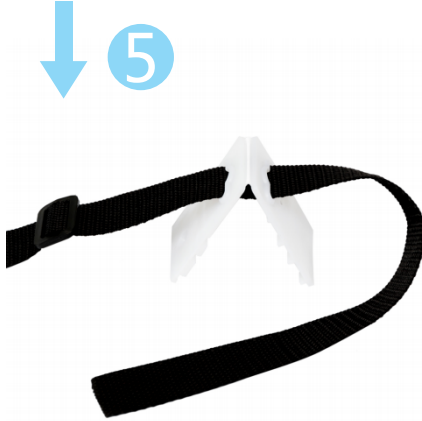
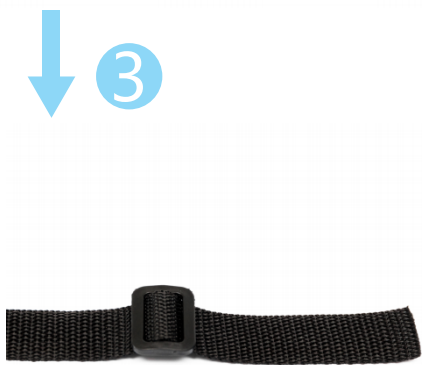
- If you have a screw driller, you could use #15 screws, if not, please use #14 screws. We suggest you use #15 screws to fix it in case #14 screws fall out the tube when use it for a long time

Parts needed:#11,#18

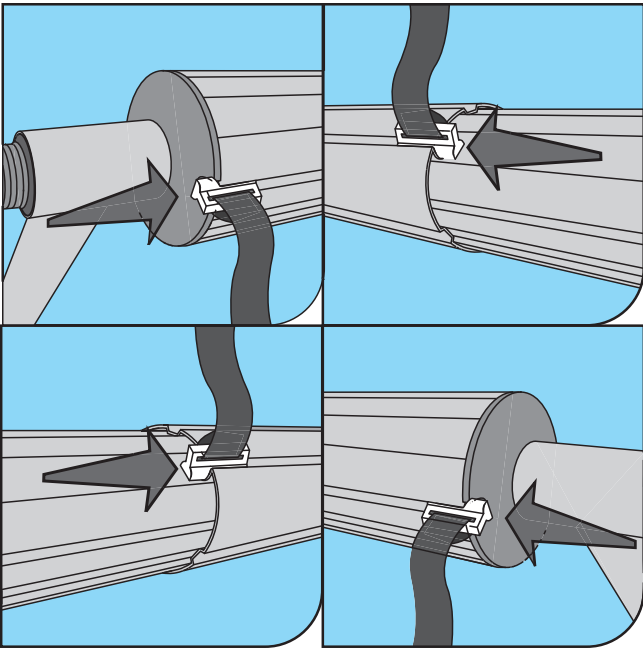
8



- Parts #11,#18 are not really needed, unless you living in windy city. Use part #11 & #18 to secure the non-wheeled side to your deck.

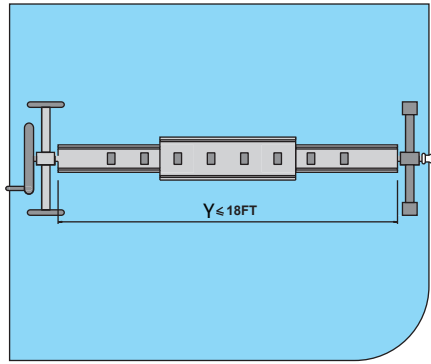
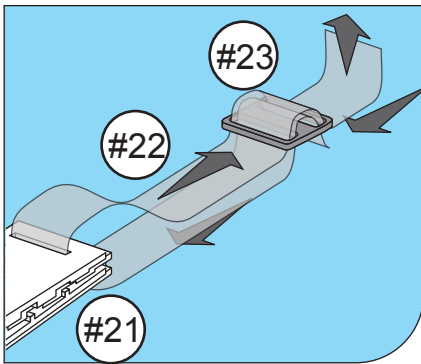


9

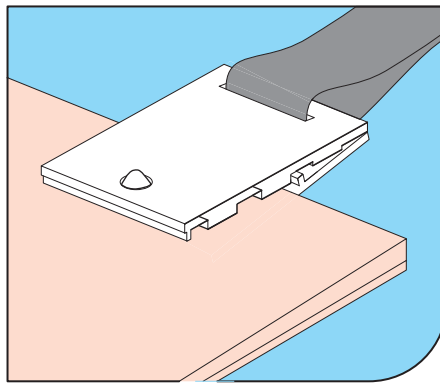
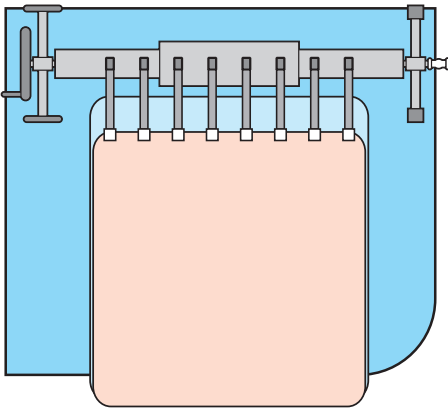


Please note slight movement of the strap is normal because the flexible straps are design to ensure the force to be even when roll up or out the cover.

10

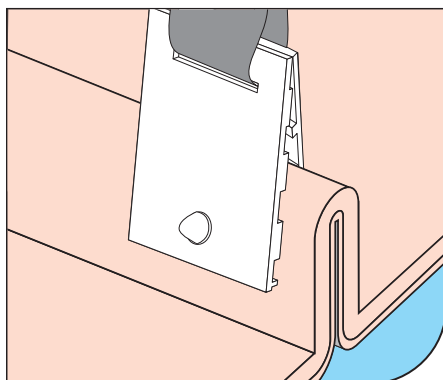
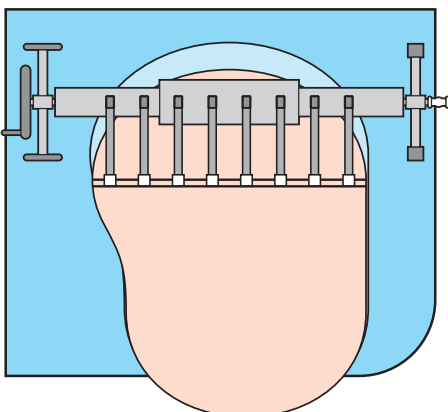


11a



Please insure the white clip lock tightly in your cover, the clip only for once use, we have send 4 more white clips for your back up use. If you need more clips, please contact our support team at support@vingli.com

11b



If your pool is not regular shape, please put this reel on the middle of your pool so that you can reel the cover more easily.

NOTE

* Item ship in more than one box and may arrive separately.

* How to get the poles to line up correctly ?

Please find the shapes of the grooves on tube A and Tube B, then line up the grooves and insert tube A to Tube B. If it still can't work, please convert the tube A (or tube B) from one side to another side, then try it again.

* If your pool is not regular shape (like bean shape pool, kidney shaped, odd shaped, Marilyn Monroe shape, or Oyster shaped pool), please put this reel on the middle of your pool so that you can reel the cover more easily. Please refer to 11b in the manual.

* **WORRY-FREE GUARANTEE**

We go above and beyond to provide the top quality product. This pool reel has one year warranty, if you have any questions or concerns about your order, please keep in touch with us, we' ll always provide you a timely and satisfying solution.