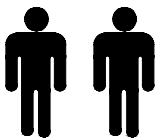
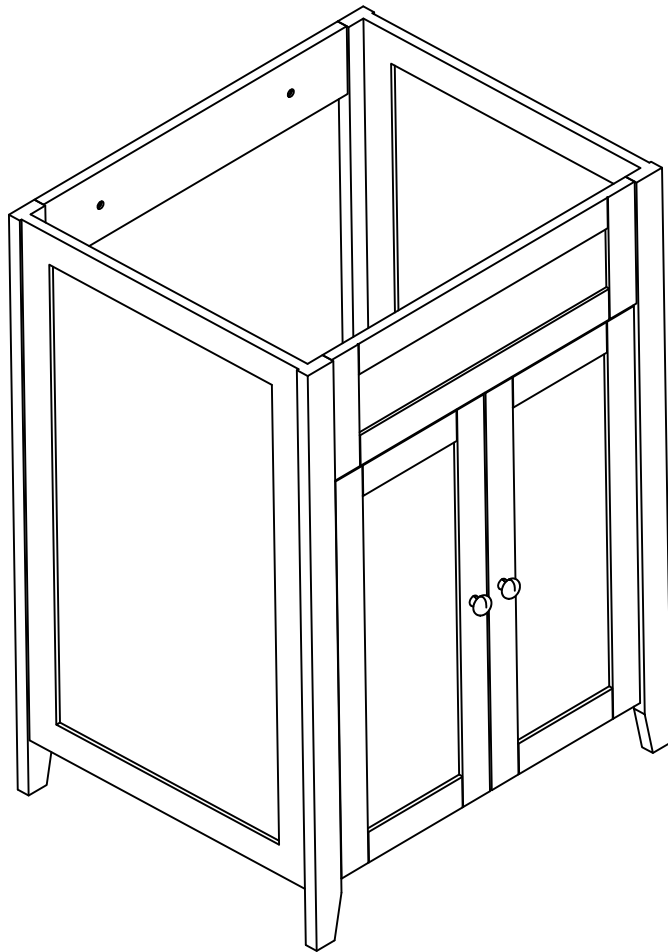
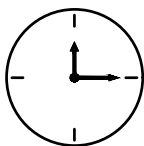


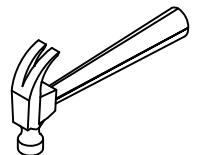
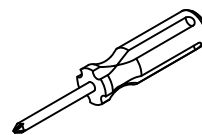
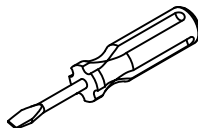
# ASSEMBLY INSTRUCTIONS



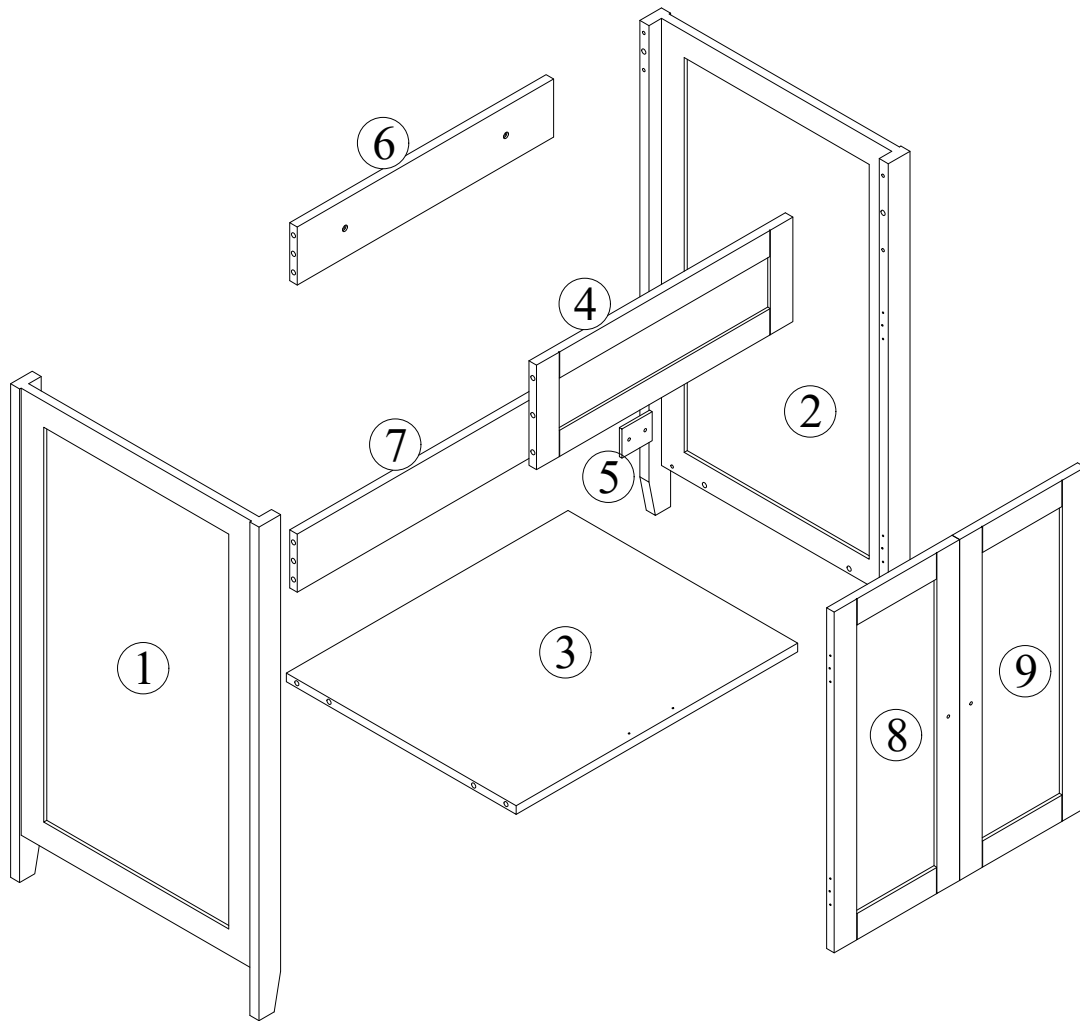
2 PERS.

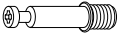



40 MIN





# Components





A	x 16
	
Φ6X35mm	


B	x 16
	
Φ15X9mm	

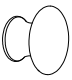
C	x 10
	
Φ8X30mm	

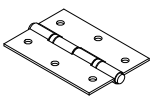
D	x 2
	
Φ3X12mm	


E	x 26
	
Φ3X14mm	


F	x 2
	
Φ4X14mm	


G	x 2
	
M4X16mm	

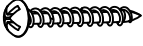
H	x 2
	
Φ6X35mm	

I	x 4
	

J	x 1
	

K	x 2
	

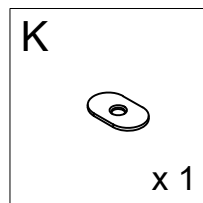
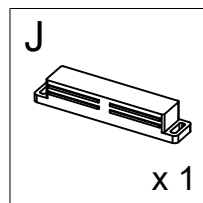
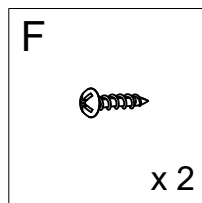
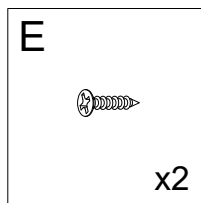
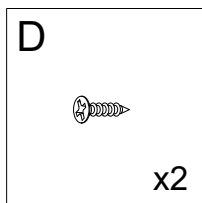
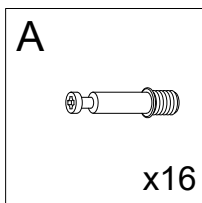
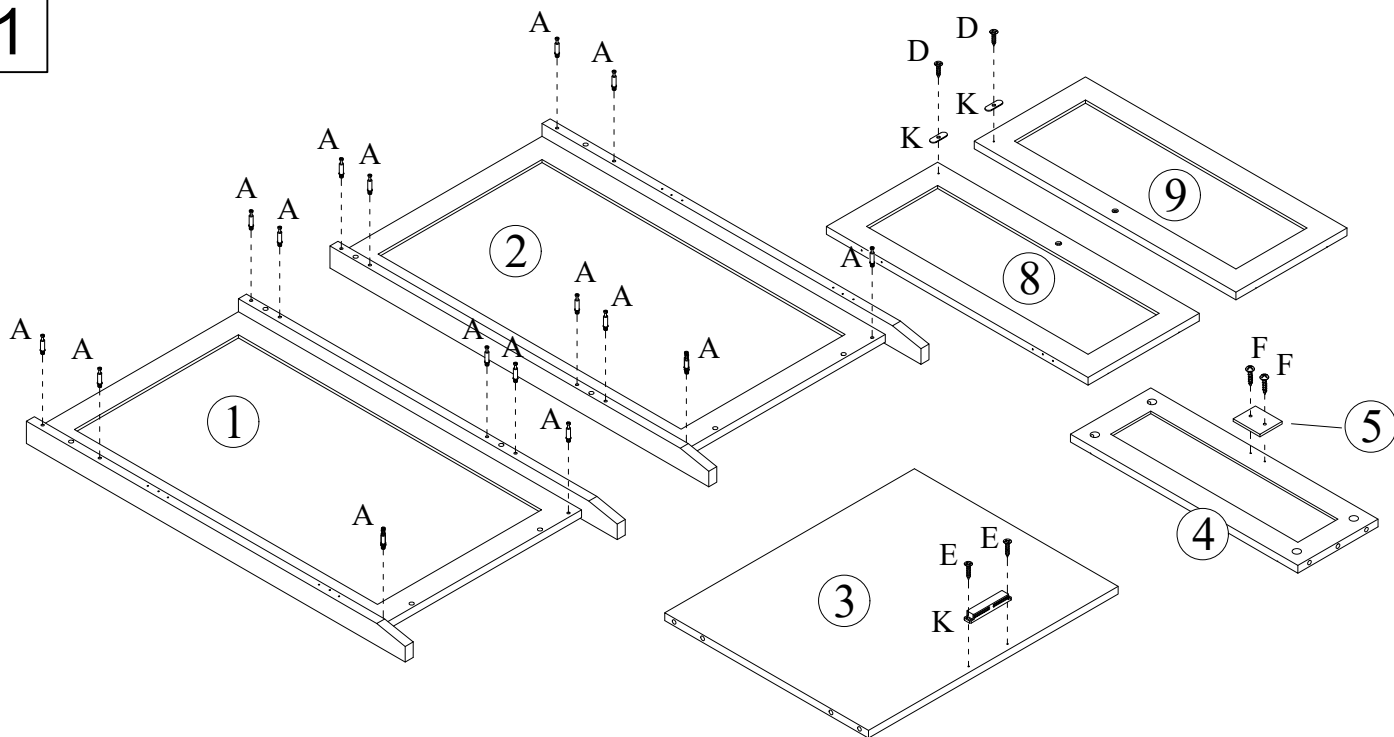
L	x 2
	

M	x 2
	
Φ4X45mm	

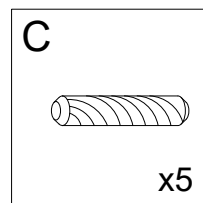
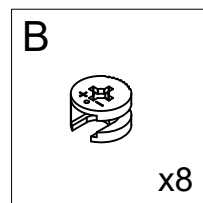
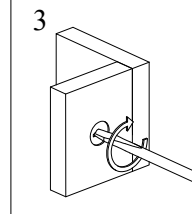
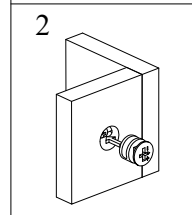
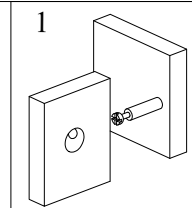
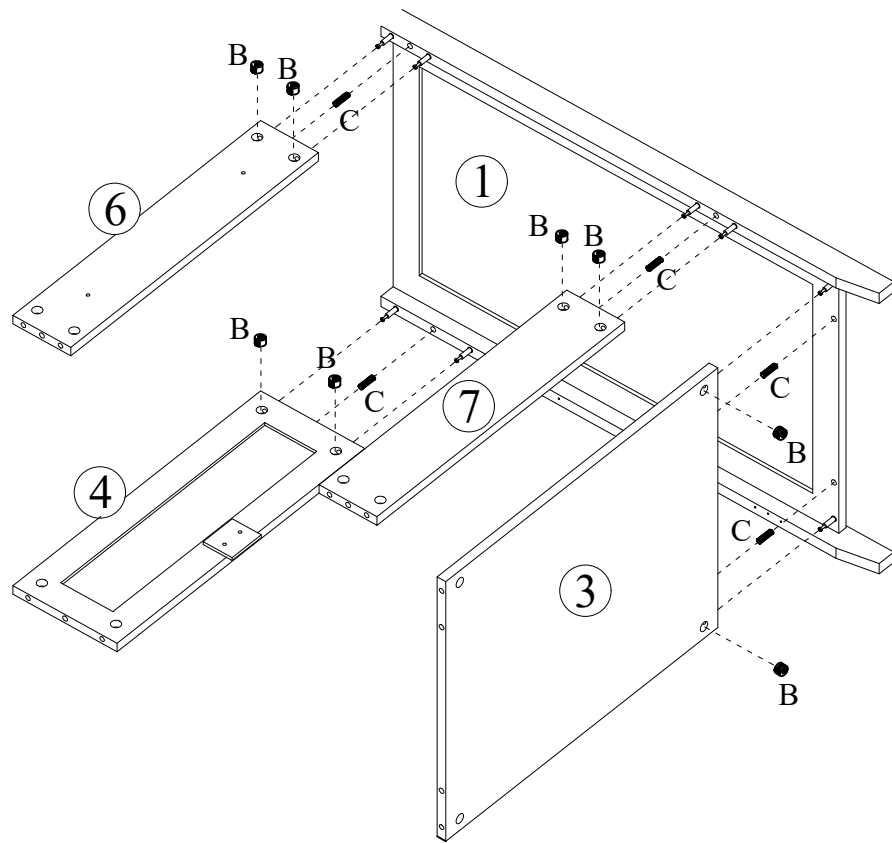
--	--

--	--

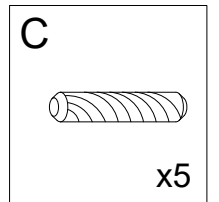
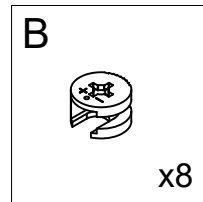
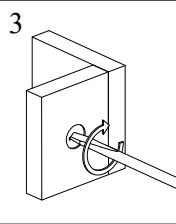
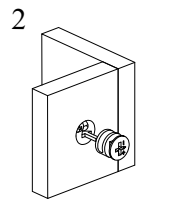
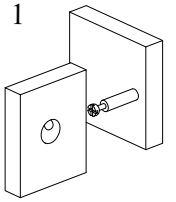
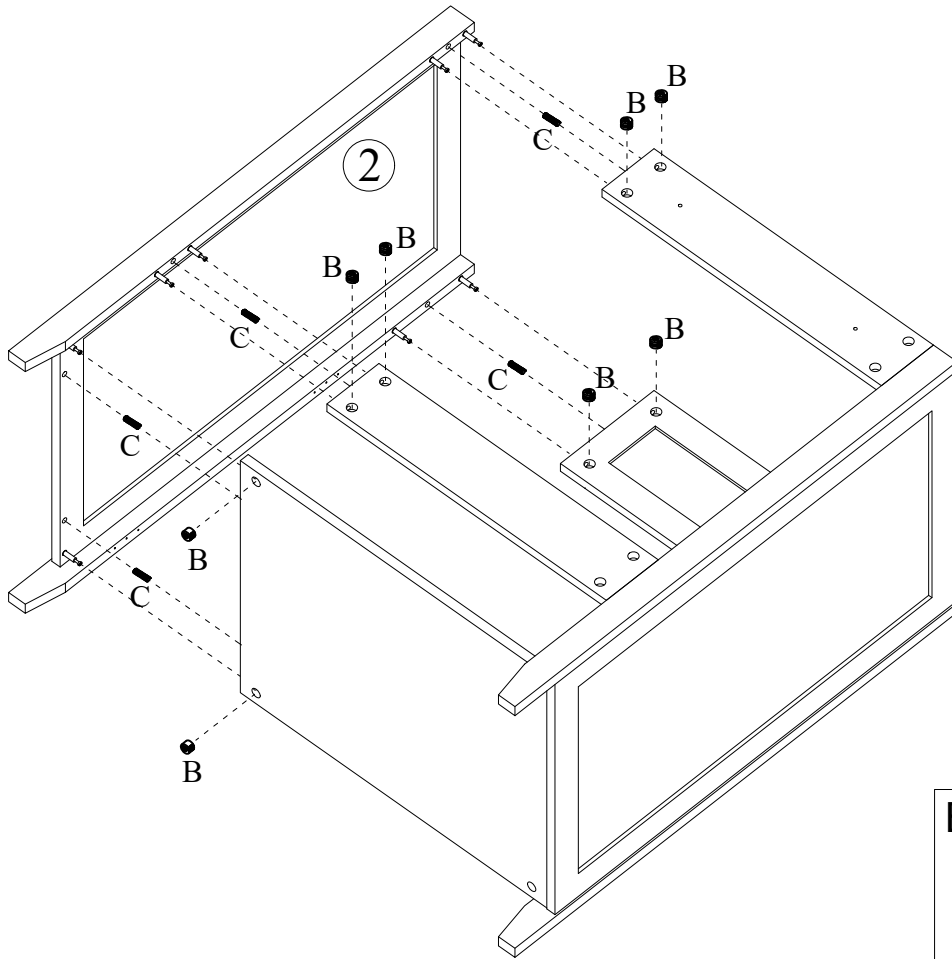
1



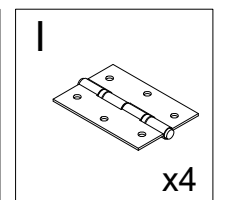
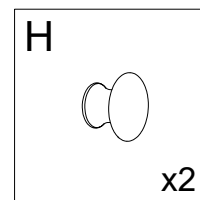
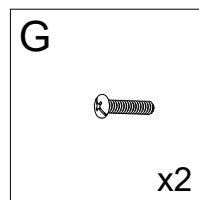
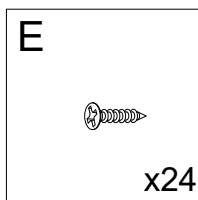
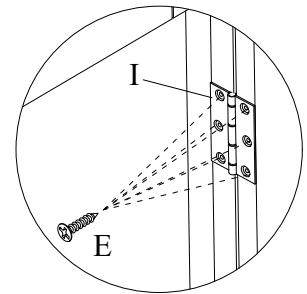
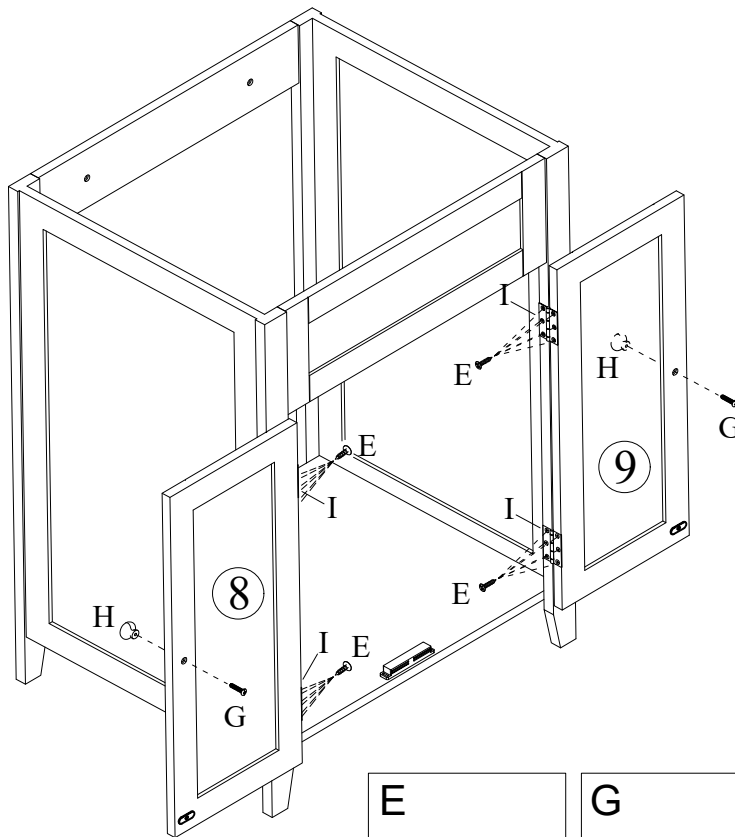
2



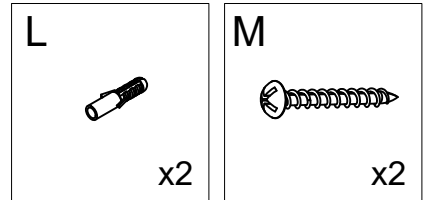
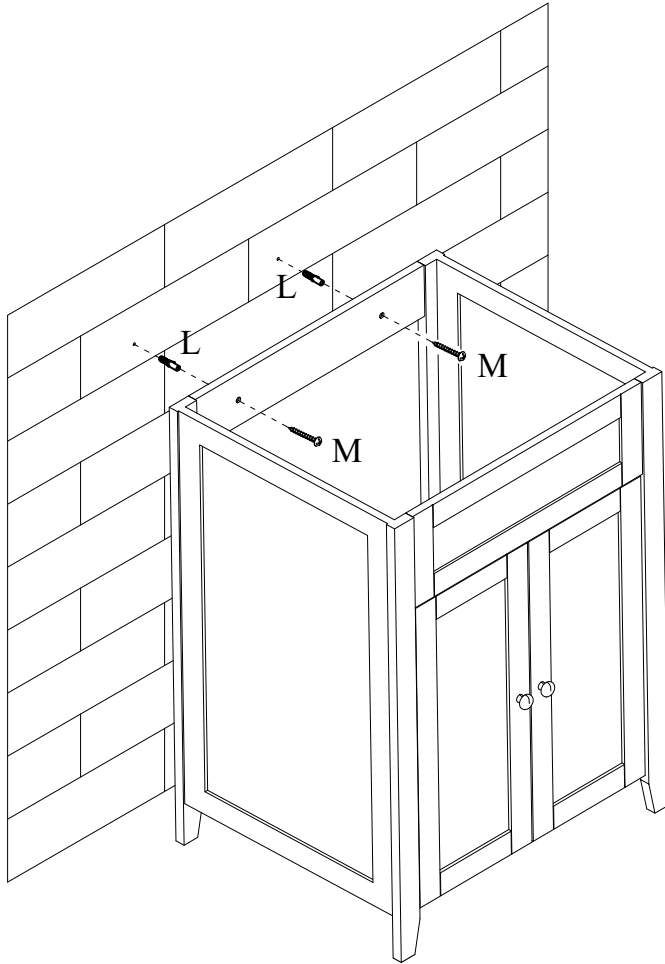
3



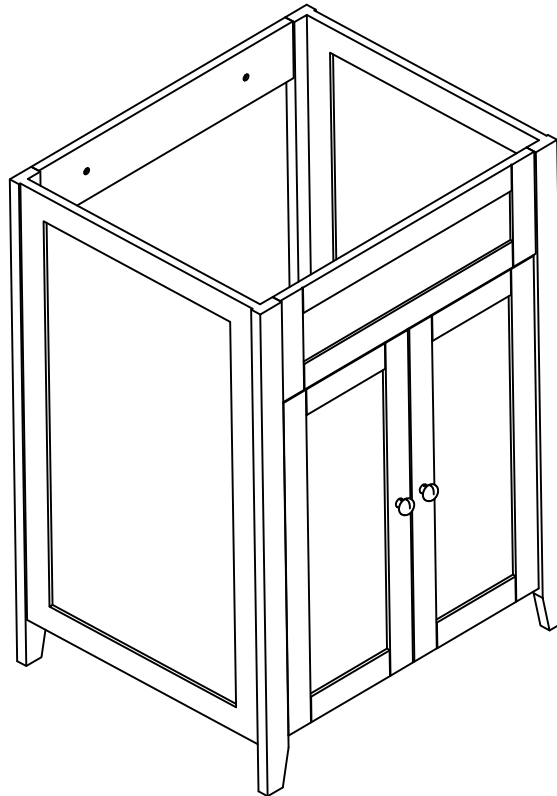
4



5



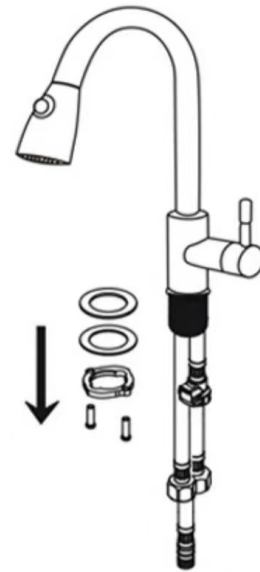
6



# FAUCET INSTRUCTIONS

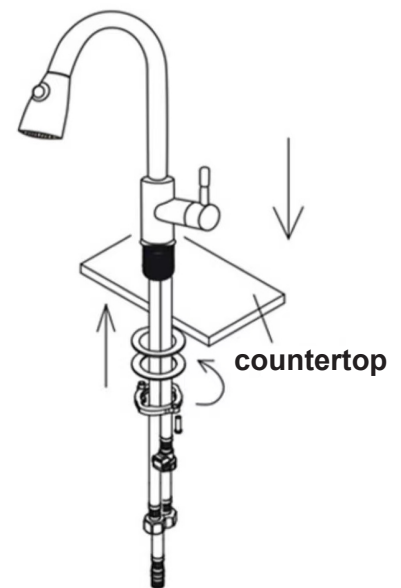
## STEP 1

Remove the nut and washer from the faucet.



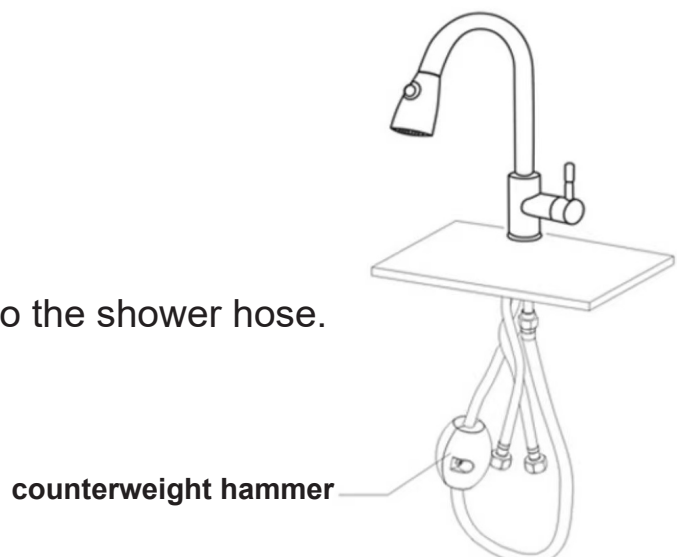
## STEP 2

Put the faucet into the countertop mounting hole, then tighten the nut and washer.



## STEP 3

Attach the counterweight hammer to the shower hose.



# DRAINER

