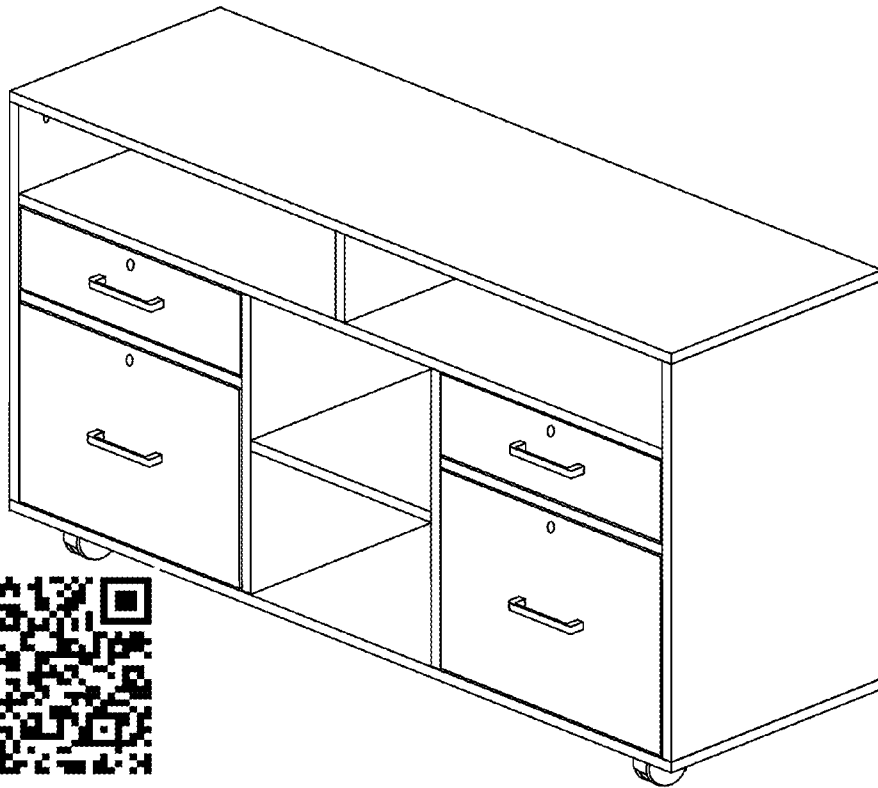




# Assembly Instruction



Assembly Video

Thank you for your purchase.

If you have difficulty with assembly or find a part is missing or damaged, please don't hesitate to contact us for solution.

vingli Customer Service team will work hard to put a smile back on your face.

Here is how we can connect:

Email: [Support@vingli.com](mailto:Support@vingli.com)

<https://www.vingli.com>

## ◆ Introduction

### Guide of Manual

Please read the following instruction carefully and use the product properly.

Please keep this manual and hand it over when you transfer the product.

This summary may not include every detailed information of all variations and considered steps. Please contact us when further information and help needed.

### Before Starting

Recommend no. of people needed for assembly: 2

Read each section carefully before starting. It is very important that each step is performed in the correct order. If these steps are not followed in sequence, assembly difficulties will occur.

Make sure all parts are included. Most board parts are labeled or stamped on the raw edge.

Please assemble the product according to the steps on the diagram strictly. Do not fully tighten the screws until all pieces are situated in place.

For continued use, it's suggested you regularly check the tightness of bolts and connections to ensure safety.

Work in spacious area, preferably on a carpet, near the place the unit will be located.

Have the following tools close at hand.

### Warning

Keep all accessories and packaging of this product away from babies, children and pets as they potentially

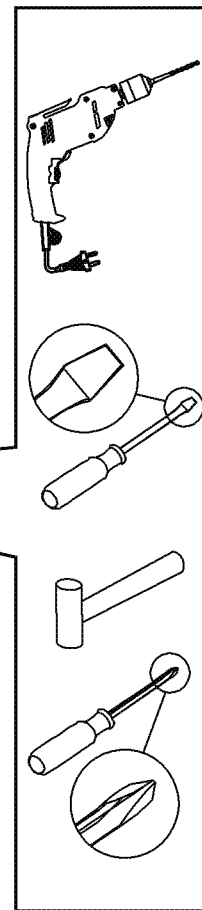
The units contains small parts which could be a choking hazard for small children. Children should be under adult supervision at all times or serious injury could occur.

Do not put the product in a humid environment for a long time to prevent mildew.

Keep the product away from sharp objects and corrosive chemicals to avoid damage.

Do not overload unit. If any shelf, top, or bottom of units bows or bends, it is overloaded. The shelf, top, or bottom could collapse and cause serious bodily injury and/or damage to personal belongings.

Do not climb or step on the unit. The unit may become unstable and either tip or collapse. Serious bodily injury and/or damage to personal belongings may occur.



## Part List

### ◆ Start assembling furniture

#### ◆ Components of furniture

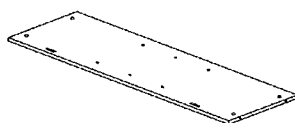
Please check the board number and the hole on the board

1



TOP PANEL  
1040x350x15mm  
QTY:1PC

2



SECOND FLOOR PANEL  
1010x333x15mm  
QTY:1PC

3



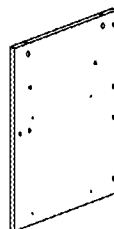
BOTTOM PANEL  
1040x350x15mm  
QTY:1PC

4



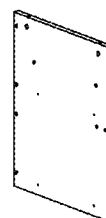
BACK TOP PANEL  
1010x200x15mm  
QTY:1PC

5



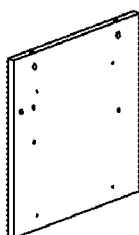
LEFT SIDE PANEL  
570x350x15mm  
QTY:1PC

6



RIGHT SIDE PANEL  
570x350x15mm  
QTY:1PC

7



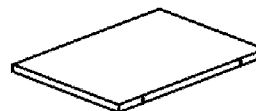
MIDDLE RIGHT PANEL  
427x333x15mm  
QTY:1PC

8



MIDDLE LEFT PANEL  
427x333x15mm  
QTY:1PC

9



SEPARATE PANEL  
330x130x15mm  
QTY:1PC

## Part List

10



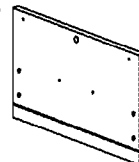
SHELF  
333x240x15mm  
QTY:1PC

11



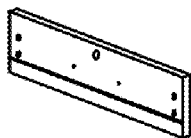
DRAWER SEPARATOR  
370x70x15mm  
QTY:2PCS

12



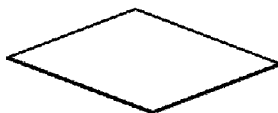
BOTTOM DRAWER FRONT PANEL  
365x285x15mm  
QTY:2PCS

13



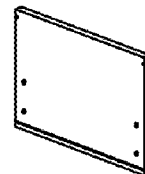
Top drawer front panel  
365x115x15mm  
QTY:2PCS

14



Drawer bottom panel  
330x290x5mm  
QTY:4PCS

15



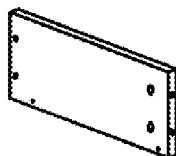
Bottom drawer back panel  
315x260x15mm  
QTY:2PCS

16



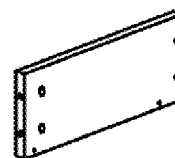
Top drawer back panel  
315x80x15mm  
QTY:2PCS

17



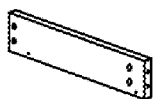
Bottom drawer left panel  
295x145x15mm  
QTY:2PCS

18



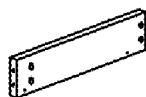
Bottom drawer right panel  
295x145x15mm  
QTY:2PCS

19



Top drawer left panel  
295x80x15mm  
QTY:2PCS

20



Top drawer right panel  
295x80x15mm  
QTY:2PCS




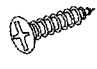


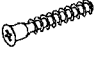


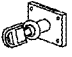
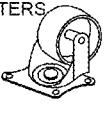
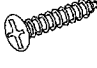
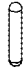
21



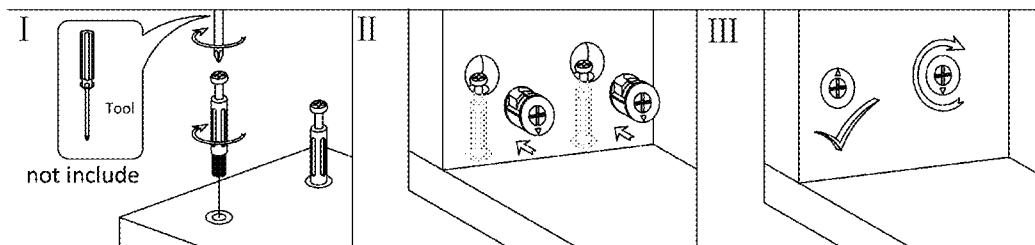
Back bottom panel  
1010x370x15mm  
QTY:1PC

## Assembly Steps

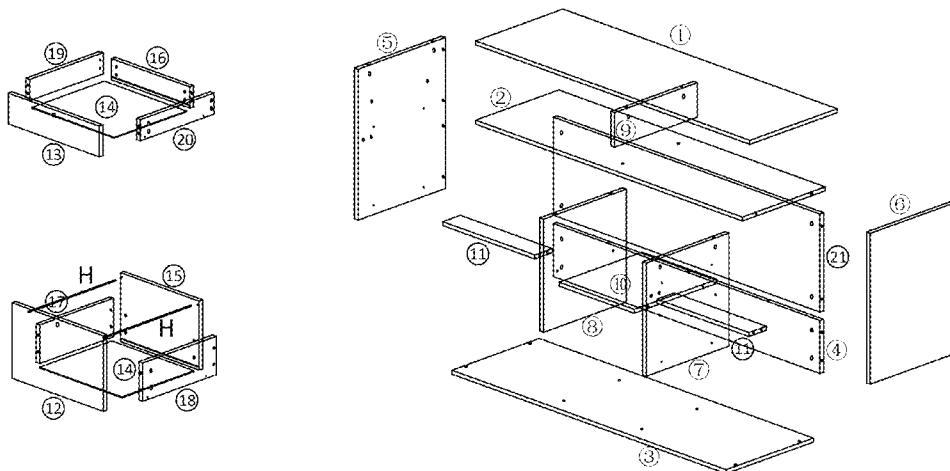
### Hardware accessories

|  |  |  |  |   |
|--|--|--|--|---|
| <b>A1 CAM BOLT</b><br><br>46 PCS              | <b>A2 CAM LOCK</b><br><br>46 PCS        | <b>B SCREW</b><br><br>M5×50mm<br>16 PCS   | <b>C SCREW</b><br><br>M3.5×12mm<br>52 PCS         | <b>D HANDLE</b><br><br>4 PCS |
| <b>E HANDLE SCREW</b><br><br>M4×18mm<br>8 PCS | <b>F SCREW</b><br><br>M7×40mm<br>14 PCS | <b>G DRAWER SLIDE</b><br><br>8 PCS       | <b>H FILE FOLDER SUPPORTER BAR</b><br><br>4 PCS |   |
| <b>I LOCK</b><br><br>4 PCS                    | <b>J CASTERS</b><br><br>5 PCS           | <b>K SCREW</b><br><br>M3.5×14mm<br>16 PCS | <b>L WOOD DOWEL</b><br><br>3 PCS                |   |

### "A" Hardware installation example



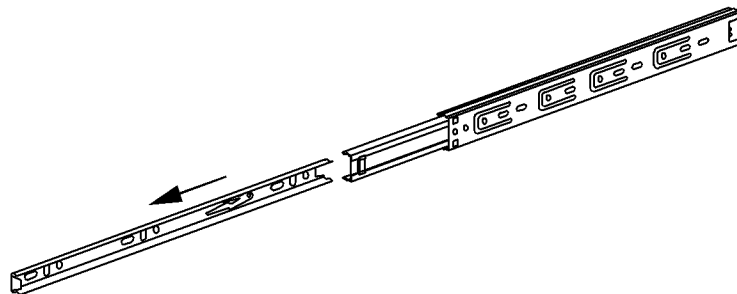
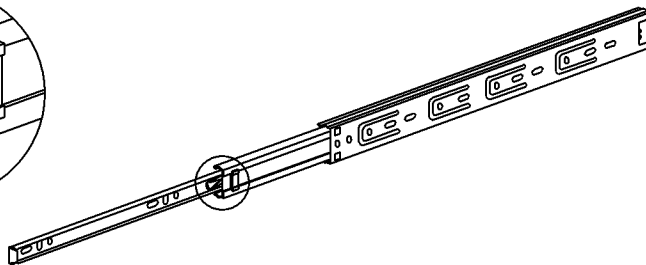
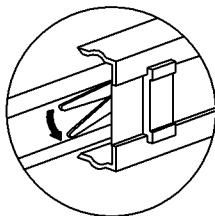
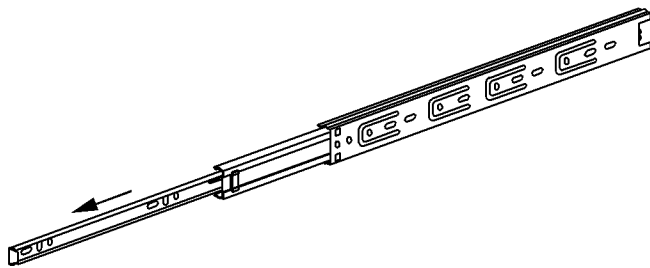
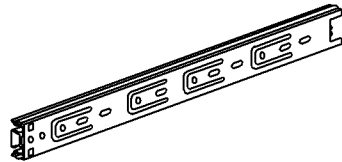
Start assembling furniture



## Assembly Steps

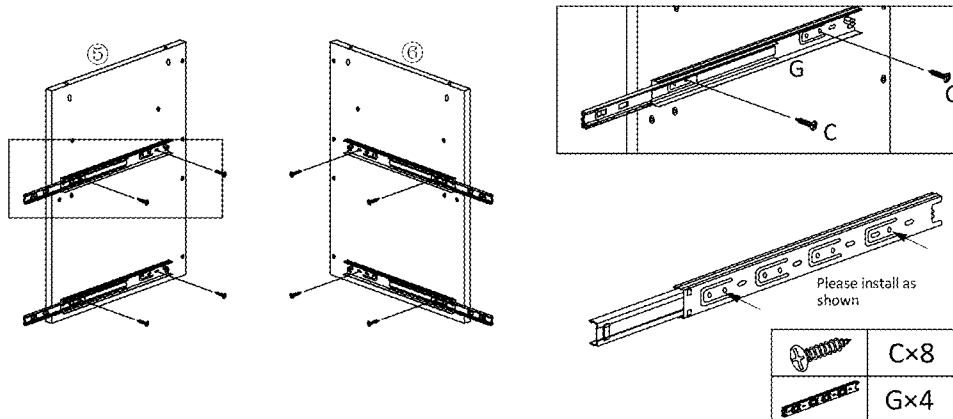
### "G" Hardware disassembly example

Please detach the drawer slide before assembly. There is a detach button on the side of the drawer slide so that you can release the smallest section.

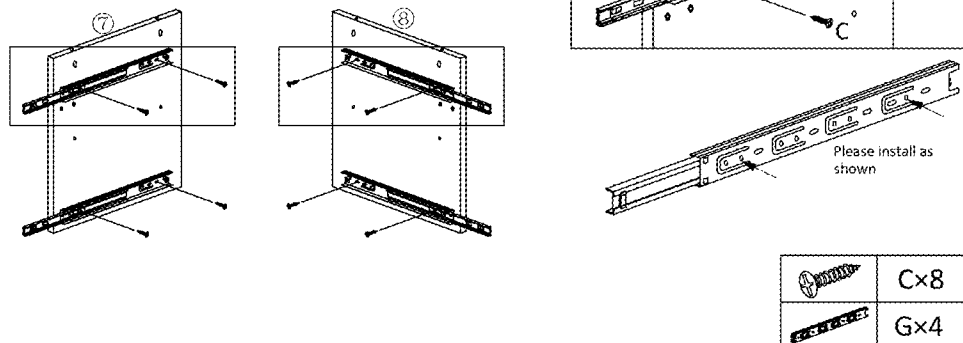


## Assembly Steps

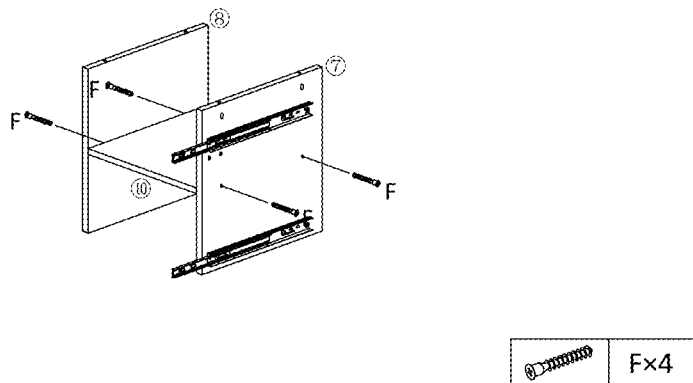
Step1:As is shown in the picture,fix drawer slide G on left side panel 5 and right side panel 6 by passing screw C through the marked holes.



Step2:As is shown in the picture, fix drawer slide G on middle right panel 7 and middle left panel 8 by passing screw C through the marked holes.

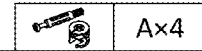
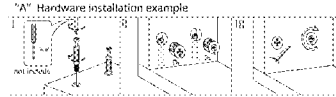
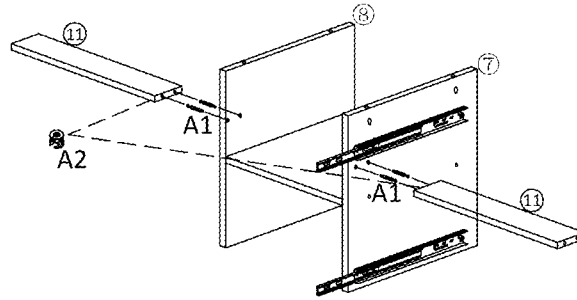


Step3: Put screw F through the holes on middle right panel 7 and middle left panel 8 to link them with shelf 10.

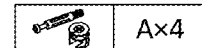
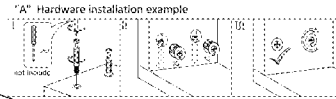
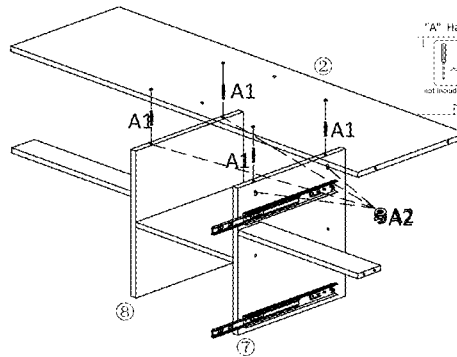


## Assembly Steps

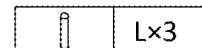
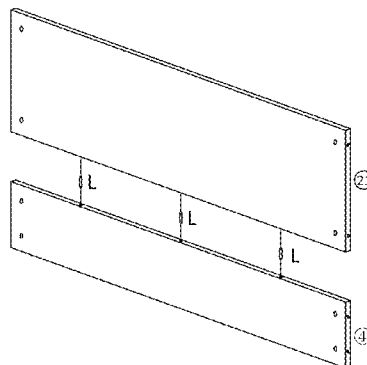
Step4: Screw cam bolt A onto middle right panel 7 and middle left panel 8 first, then link and lock drawer separator 11 to cam bolt A.



Step5: Screw cam bolt A onto second floor panel 2 first, then link and lock middle right panel 7 and middle left panel 8 to cam bolt A.



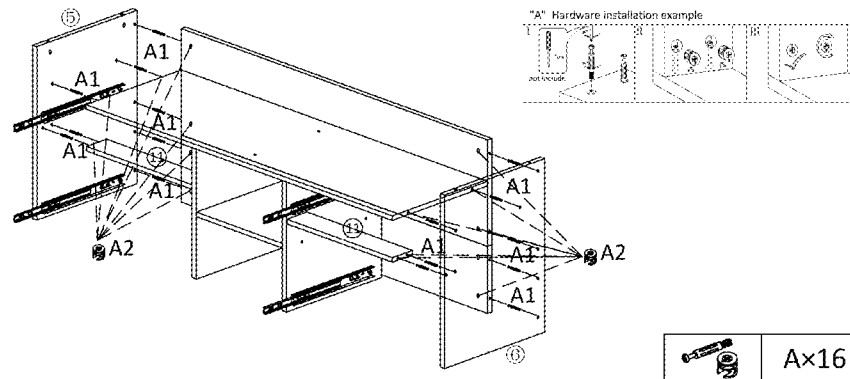
Step6: Connect back top panel 4 and back bottom panel 21 with wood dowel L.



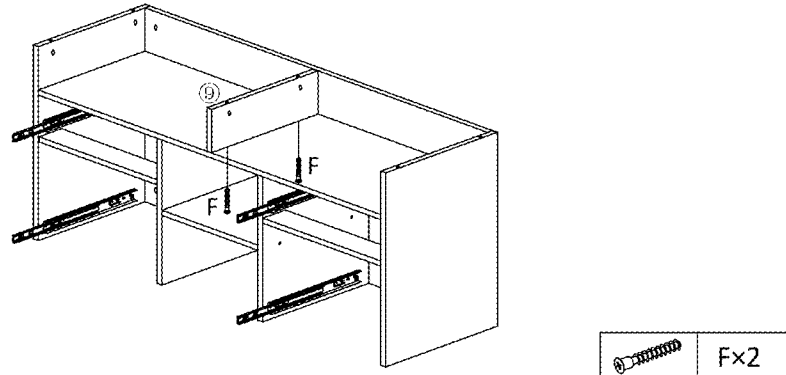


## Assembly Steps

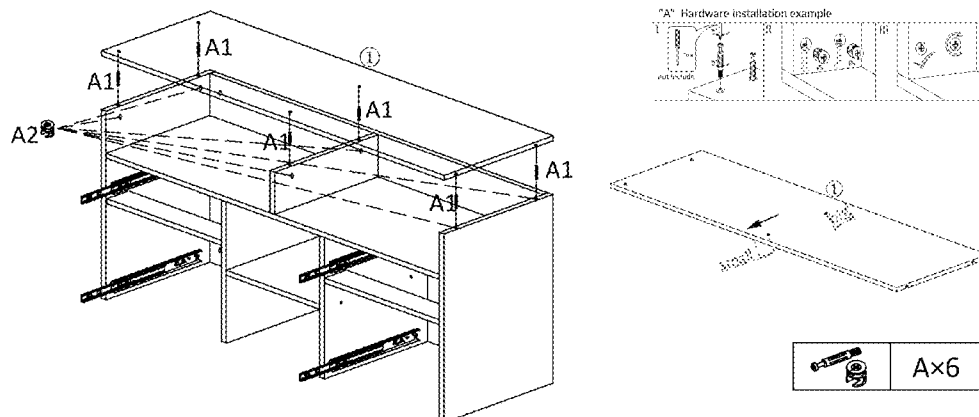
Step7: Place the connected back top panel 4 and back bottom 21 behind the second floor panel 2 and connect the back top panel 4, second floor panel 2, drawer separator 11 to the left side panel 5, right side panel 6 with cam bolt A.



Step8: Align the separate panel 9 with the hole in the middle of the second floor panel 2 and fix with the screw F.

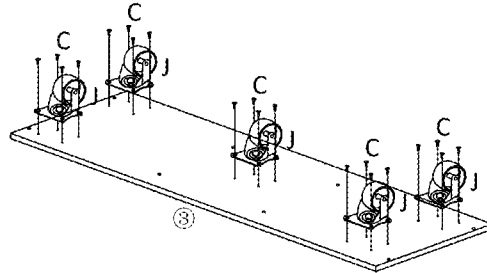




Step9: First screw cam bolt A into the hole in top panel 1, then tighten connect left side panel 5, right side panel 6, and separate panel 9 to top panel 1.



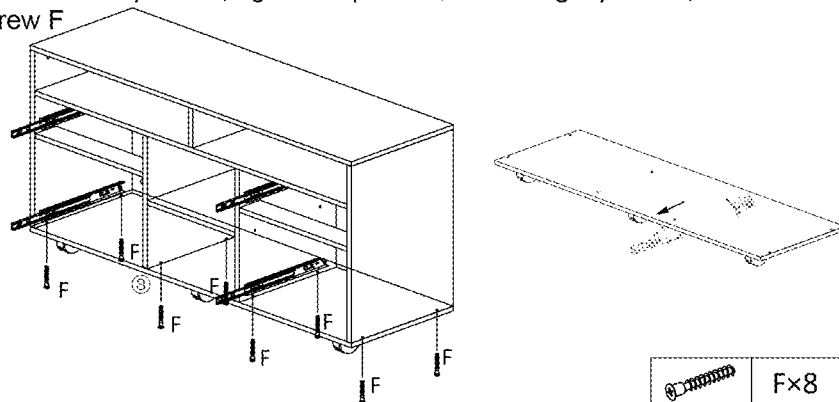
## Assembly Steps

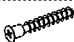
Step10: Fix caster J to bottom panel 3 with screw C.



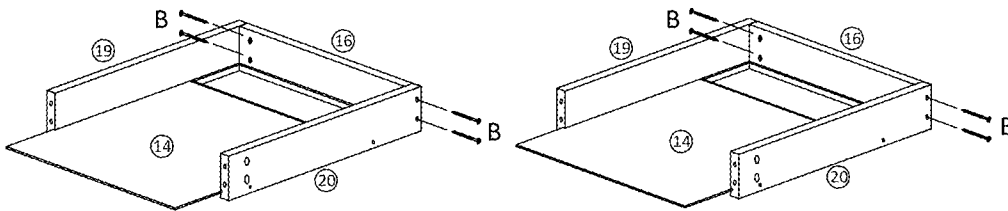
|   |      |
|---|------|
|  | J×5  |
|  | C×20 |


Step11: Turn the cabinet upside down so that top panel 1 is facing down and connect bottom panel 3 to left side panel 5, right side panel 6, middle right panel 7, middle left panel 8 with screw F



|   |     |
|---|-----|
|  | F×8 |
|---|-----|

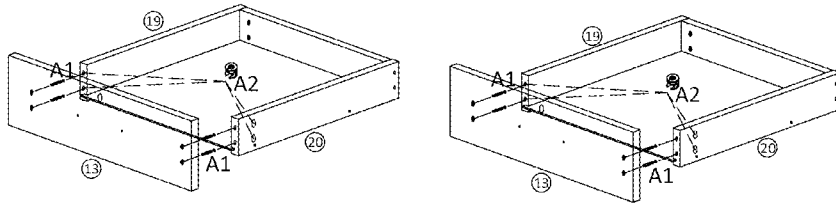
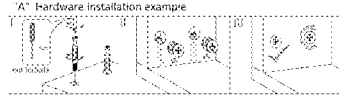
Step12: Connect separate panel 9, top drawer right panel 20, top drawer back panel 16 with screw B, then insert drawer bottom panel 14 into the slots of top drawer back panel 16, separate panel 9, top drawer right panel 20.



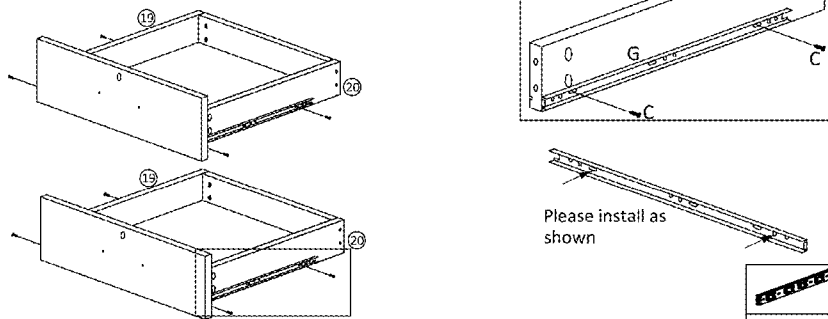
|   |     |
|---|-----|
|  | B×8 |
|---|-----|

## Assembly Steps

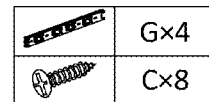
Step13: Use cam bolt A to connect top drawer front panel 13, top drawer left panel 19, top drawer right panel 20 and embed drawer bottom panel 14 in the slot of top drawer front panel 13.



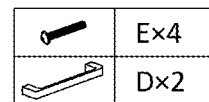
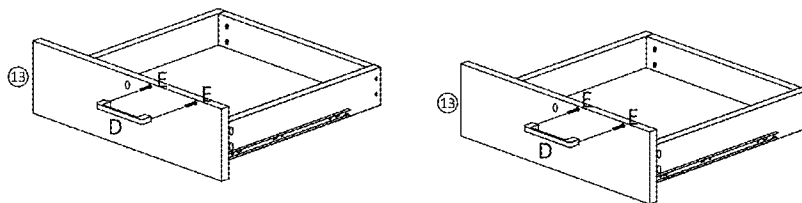
Step14: Follow the illustration's marked hole position, fix drawer slide G to the sides of top drawer left panel 19 and top drawer right panel 20 with screw C, so that the front of drawer slide G is aligned with top drawer front panel 13.



Please install as shown

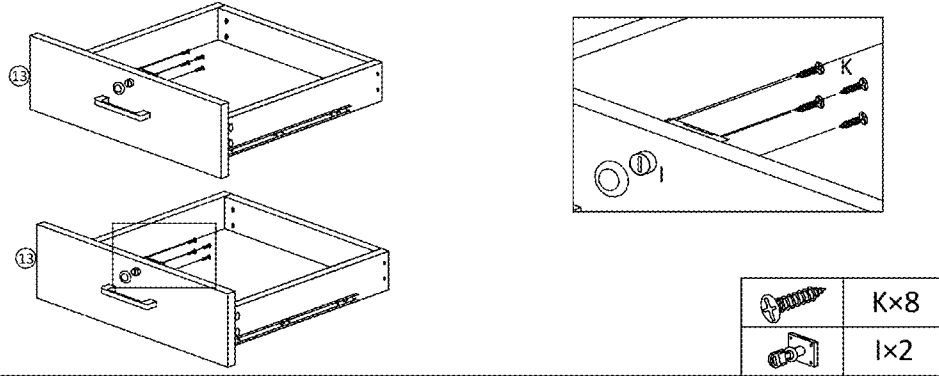


Step15: Connect outer handle D with handle screw E from the inside through top drawer front panel 13.

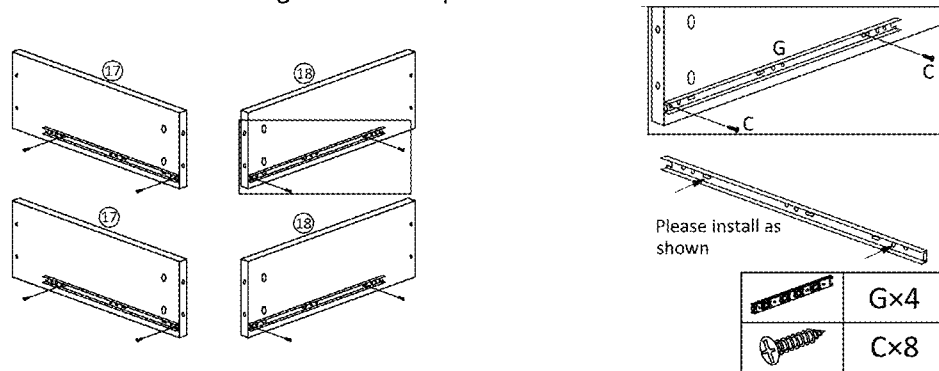


## Assembly Steps

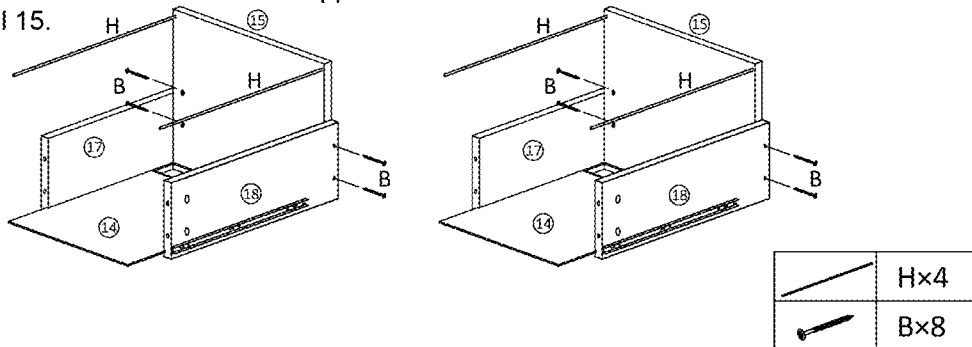
Step16: First, remove the locking ring from lock I. Next Put lock I through top drawer front panel 13, fix outside by the lock ring, keep the side with latch upward, and then use screw K to fix inside.



Step17: Follow the illustration's marked hole position, Fix drawer slide G to the sides of bottom drawer left panel 17 and bottom drawer right panel 18 with screw C so that the front of drawer slide G is aligned with the panel.

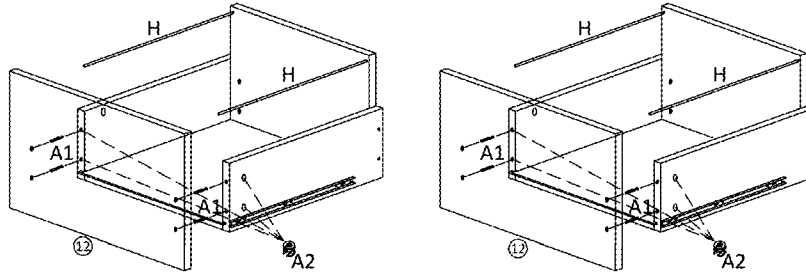
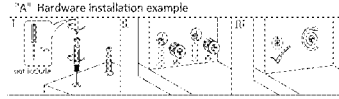


Step18: Connect bottom drawer back panel 15, bottom drawer left panel 17, bottom drawer right panel 18 with screw B, then insert drawer bottom panel 14 into the slot in bottom drawer back panel 15, bottom drawer left panel 17, bottom drawer right panel 18 and insert file folder supporter bar H into the hole in bottom drawer back panel 15.

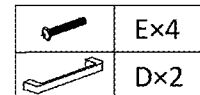
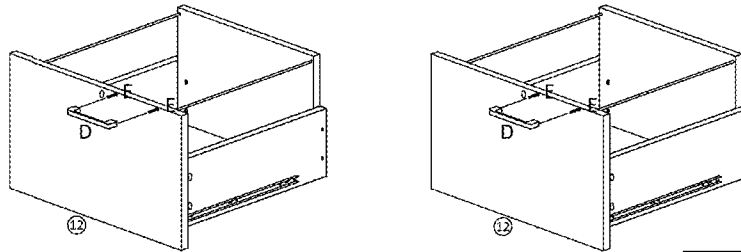


## Assembly Steps

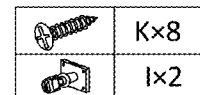
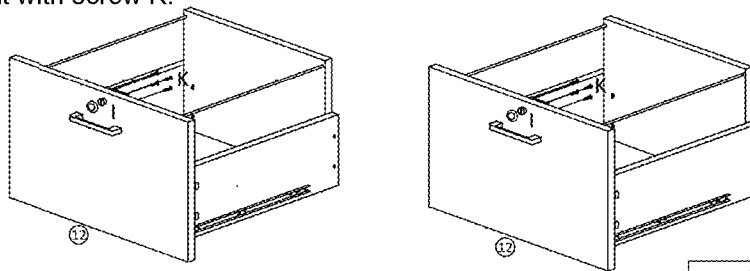
Step19: Connect bottom drawer front panel 12, bottom drawer left panel 17, bottom drawer right panel 18 with cam bolt A so that drawer bottom panel 14 is embedded in the slot in bottom drawer front panel 12 and file folder supporter bar H is aligned with the hole in bottom drawer front panel 12.



Step20: Connect handle screw E from the inside through bottom drawer front panel 12 to handle D from the outside.

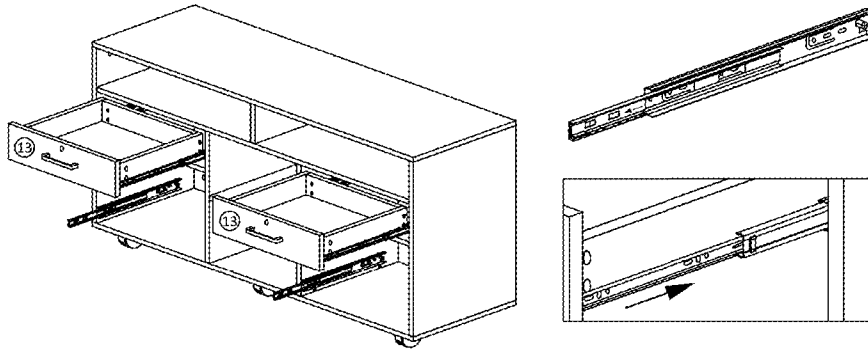


Step21: First, remove the locking ring from lock I. Next put lock I through bottom drawer front panel 12, fix outside by the locking ring, with the latch side facing up, then fix it with screw K.



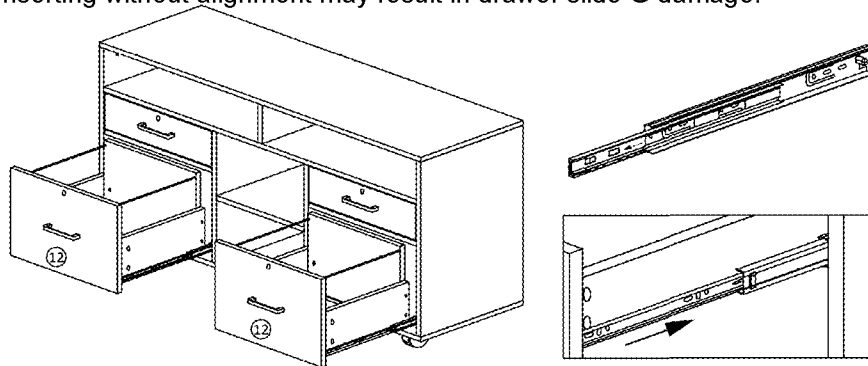
## Assembly Steps

Step22: As is shown in the picture, pull drawer slide G out first, and the ball along with it to the front, aligning the slide of the top drawer front panel 13 and inserting it.  
Note: Inserting without alignment may result in drawer slide G damage.

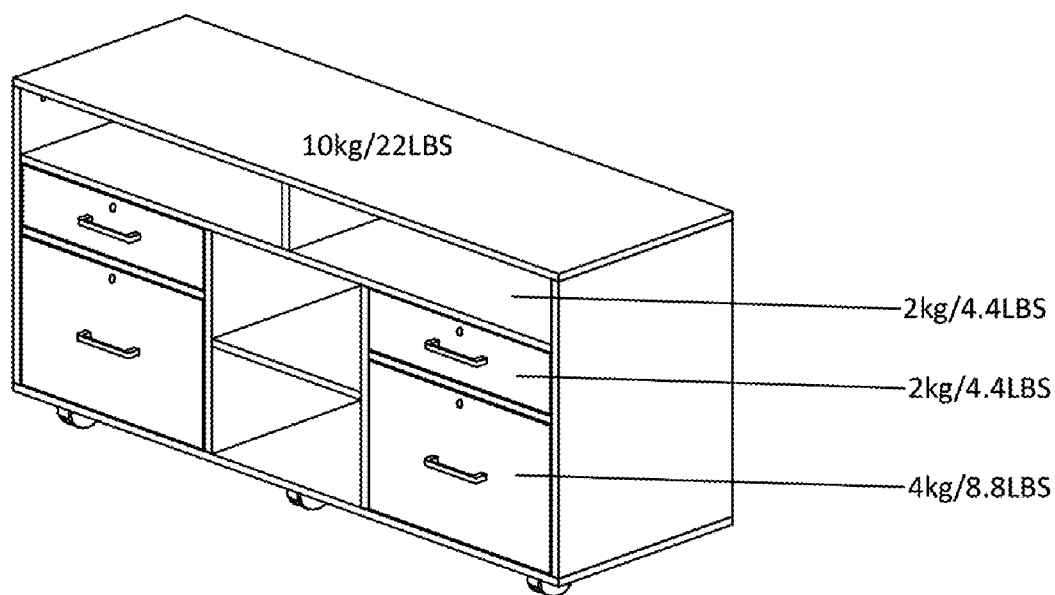


Step23: As is shown in the picture, pull drawer slide G out first, and the ball along with it to the front, aligning the slide of the bottom drawer front panel 12 and inserting it.

Note: Inserting without alignment may result in drawer slide G damage.



## WEIGHT LIMITS:



Enjoy your furniture!

## Warning

This unit has been designed to support the maximum loads shown. Exceeding these load limits could cause sagging, instability, product collapse, and/or serious injury.

### WARNING

Please make sure that all panels are attached securely. All nails must be driven into the parts straight and tightened firmly. Failure to do so could cause instability, product collapse, and/or serious injury.

#### To prevent tipover:

- ◆ Place heaviest items in the lowest drawers.
- ◆ Unless specifically designed to accommodate, do not set TVs or other heavy objects on the top of this product.
- ◆ Never allow children to climb or hang on drawers.
- ◆ Never open more than one drawer at a time.