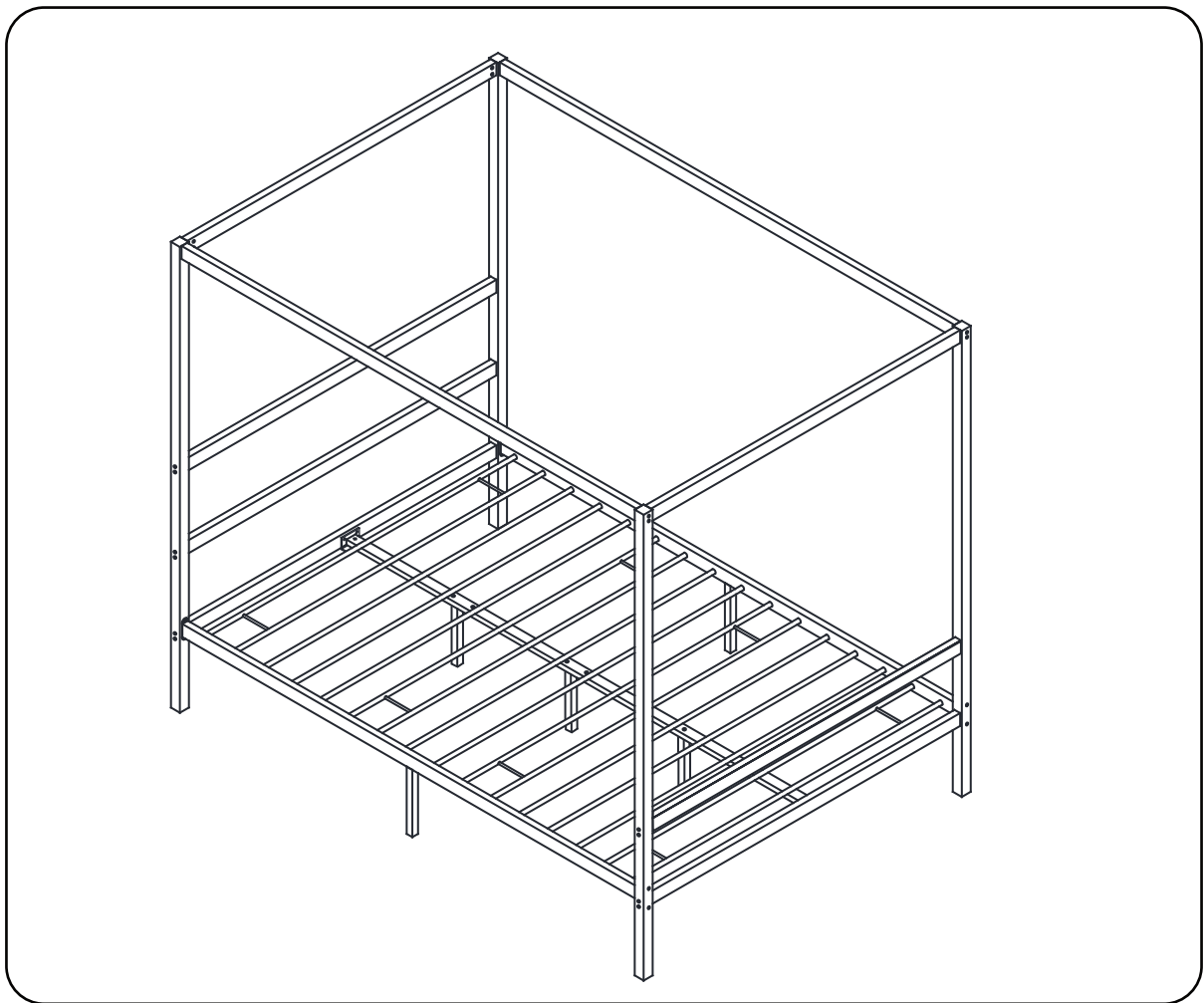




CANOPY BED FRAME



Thank you for your purchase.

If you have difficulty with assembly or find a part is missing or damaged, please don't hesitate to contact us for solution. Here is how we can connect:

Email: Support@bonnlo.com

Facebook: <https://www.facebook.com/BonnloDirect/>

Please attach your Order ID so we can assist you better.

Introduction

●Guide of Manual

Please read the following instruction carefully and use the product properly.

Please keep this manual and hand it over when you transfer the product.

This summary may not include every detailed information of all variations and considered steps. Please contact us when further information and help needed.

●Before Starting

Recommend no. of people needed for assembly:4-5

Read each section carefully before starting. It is very important that each step is performed in the correct order. If these steps are not followed in sequence, assembly difficulties will occur.

Make sure all parts are included. Most board parts are labeled or stamped on the raw edge.

Please assemble the product according to the steps on the diagram strictly. Do not fully tighten the screws until all pieces are situated in place.

For continued use, it's suggested you regularly check the tightness of bolts and connections to ensure safety.

Work in spacious area, preferably on a carpet, near the place the unit will be

●Warning

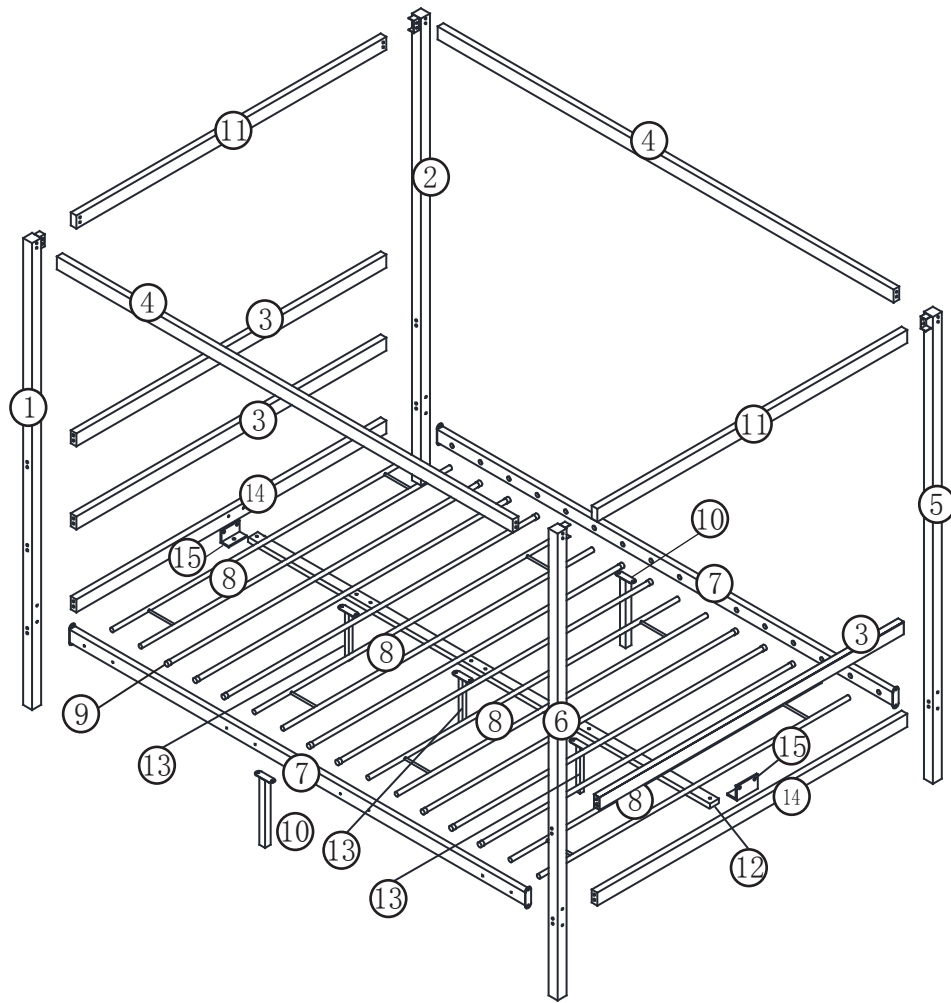
Keep all accessories and packaging of this product away from babies, children and pets as they potentially

The units contains small parts which could be a choking hazard for small children. Children should be under adult supervision at all times or serious injury could occur.
















Do not put the product in a humid environment for a long time to prevent mildew.

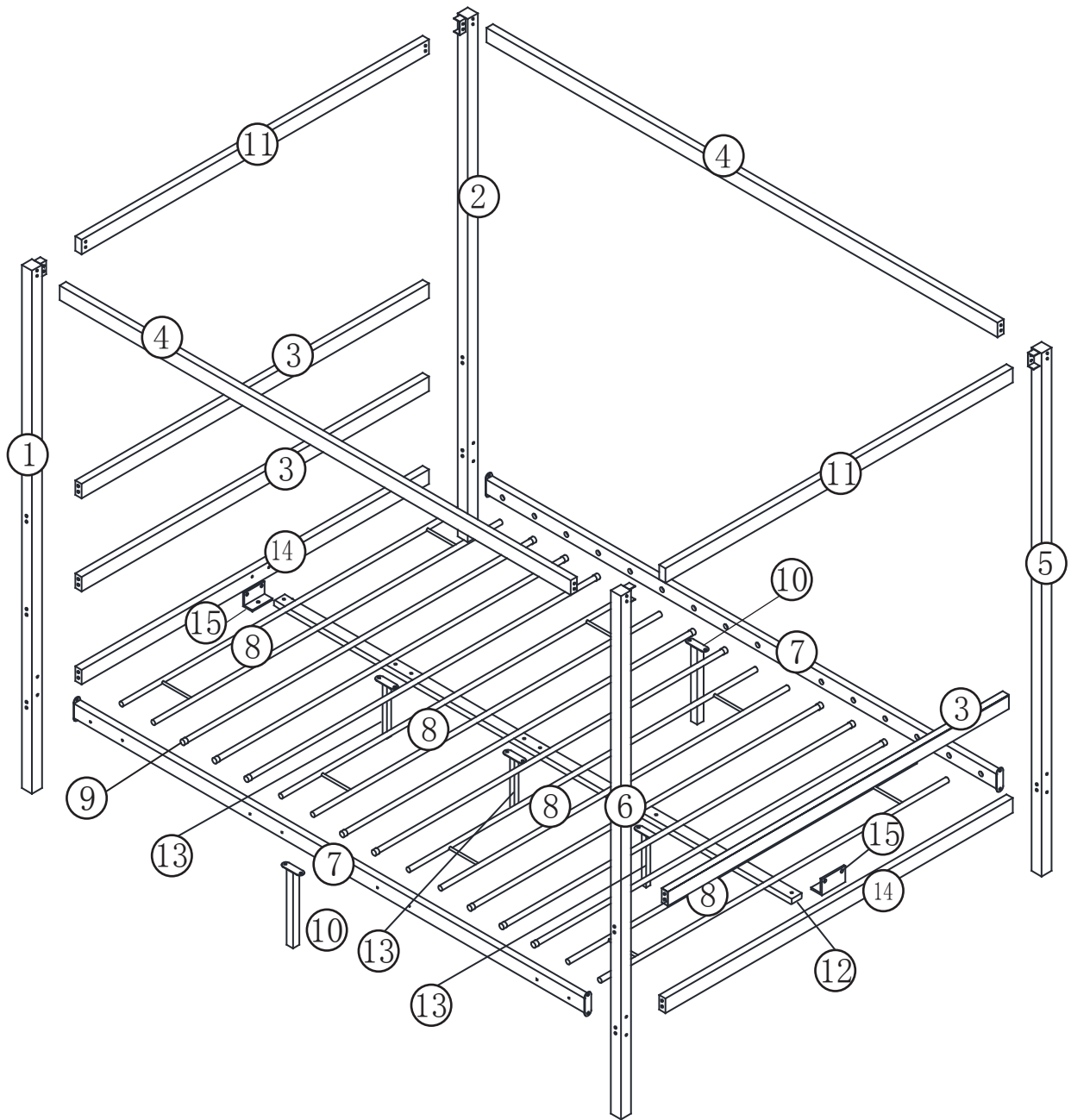
Keep the product away from sharp objects and corrosive chemicals to avoid damage.

Part List 1

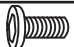





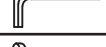


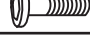


COMPONENTS

NO.	DESCRIPTION	DIMENSION	QTY
1	Front Left Bar	 40x40x1800mm	1pc
2	Rear Left Bar	 40x40x1800mm	1pc
3	Headboard & Footboard Rail	 25x50x1365/1525mm	3pcs
4	Top Bar	 25x50x1925/2035mm	2pcs
5	Rear Right Bar	 40x40x1800mm	1pc
6	Front Right Bar	 40x40x1800mm	1pc
7	Bed Side Rail	 25x50x1920/2040mm	2pcs
8	Support Slat with Built-in Nut	 138x1428/1576mm	4pcs
9	Round Support Slat	 $\Phi 16 \times 1423/1573$ mm	8pcs
10	Center Support Leg	 25*25*260mm	2pcs
11	Top Side Rail	 25x50x1365/1525mm	2pcs
12	Middle Support Bar	 20x40x1932/2032mm	1pc
13	Middle Support Leg	 20*20x250mm	3pcs
14	Left & Right Side Rail	 25x50x1365/1525mm	2pcs
15		 25x35x80x3.0mm	2pcs



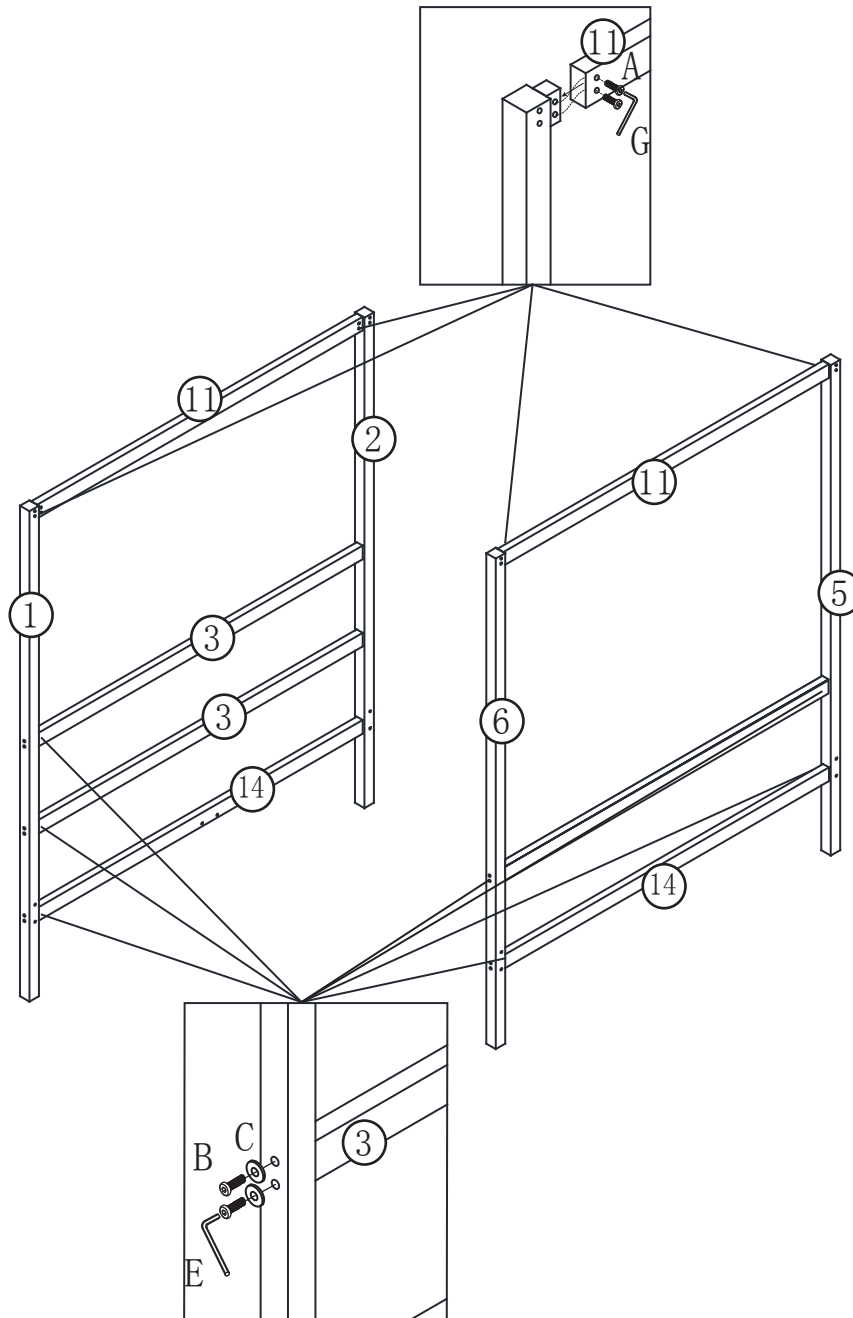
COMPONENTS

NO.	DESCRIPTION	DIMENSION	QTY
A	Screws	 M6x20	32pcs
B	Screws	 M8X60	28pcs
C	Washer	 M8X18	48pcs
D	Nuts	 M6X18	8pcs
E	Bigger size spanner	 M5	1pc
F	Flat Washer	 M8	8pcs
G	Smaller size spanner	 M4	2pcs
H	Screws	 M8x35	8pcs
I	wrench		1pc
J	Screws	 M6x35	8pcs

Assembly Steps


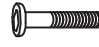

STEP 1

Assemble Headboard and Footboard



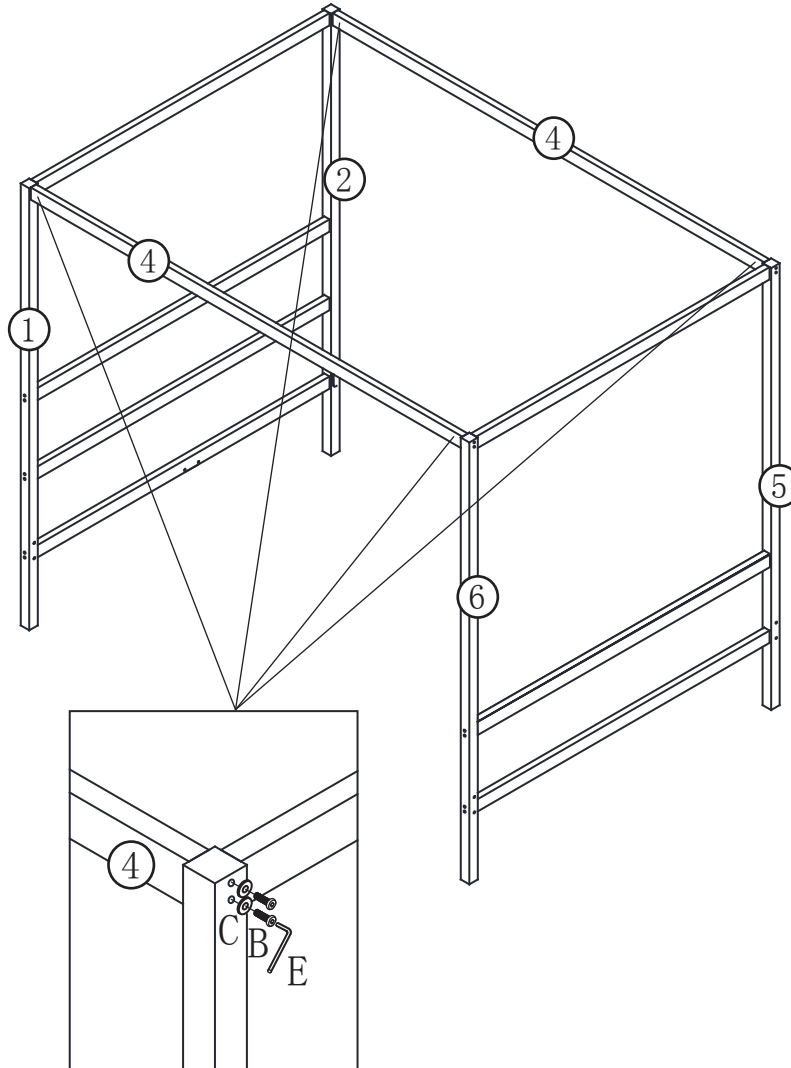
HOW TO ASSEMBLE:

- a. Install Screw (B) and Washer (C) to the screw hole of Rail (1&2&5&6) to secure Headboard & Footboard Rail (3), with Left & Right Side Rail (14) installed at the bottom and the screw hole in the middle must be facing inwards;
- b. Align and insert Top Side Rail (11) into the iron plate on Rail (1&2&5&6), install Screw (A) to the screw hole of Top Side Rail (11) to secure.

CODE	HARDWARE	QTY
A	 M6X20	8
B	 M8X60	20
C	 M8X18	20

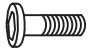

STEP 2

Assemble Cross Rail of Canopy Frame



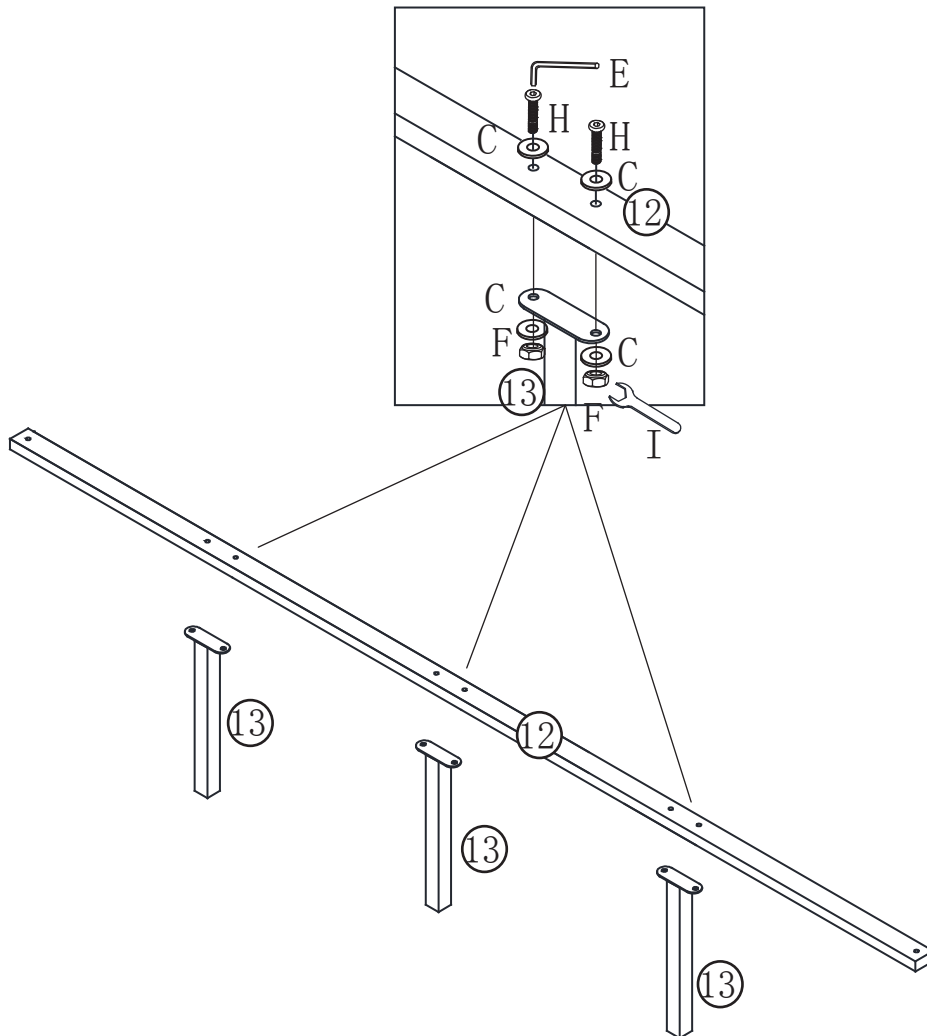
HOW TO ASSEMBLE:

Align and insert Top Bar (4) to the screw hole on the top of Rail (1&2&5&6), install Screw (B) and Washer (C) to the screw hole on the outer side of Rail to secure.

CODE	HARDWARE	QTY
B	 M8X60	8
C	 M8X18	8

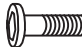


STEP 3

Assemble Middle Rail Support Leg



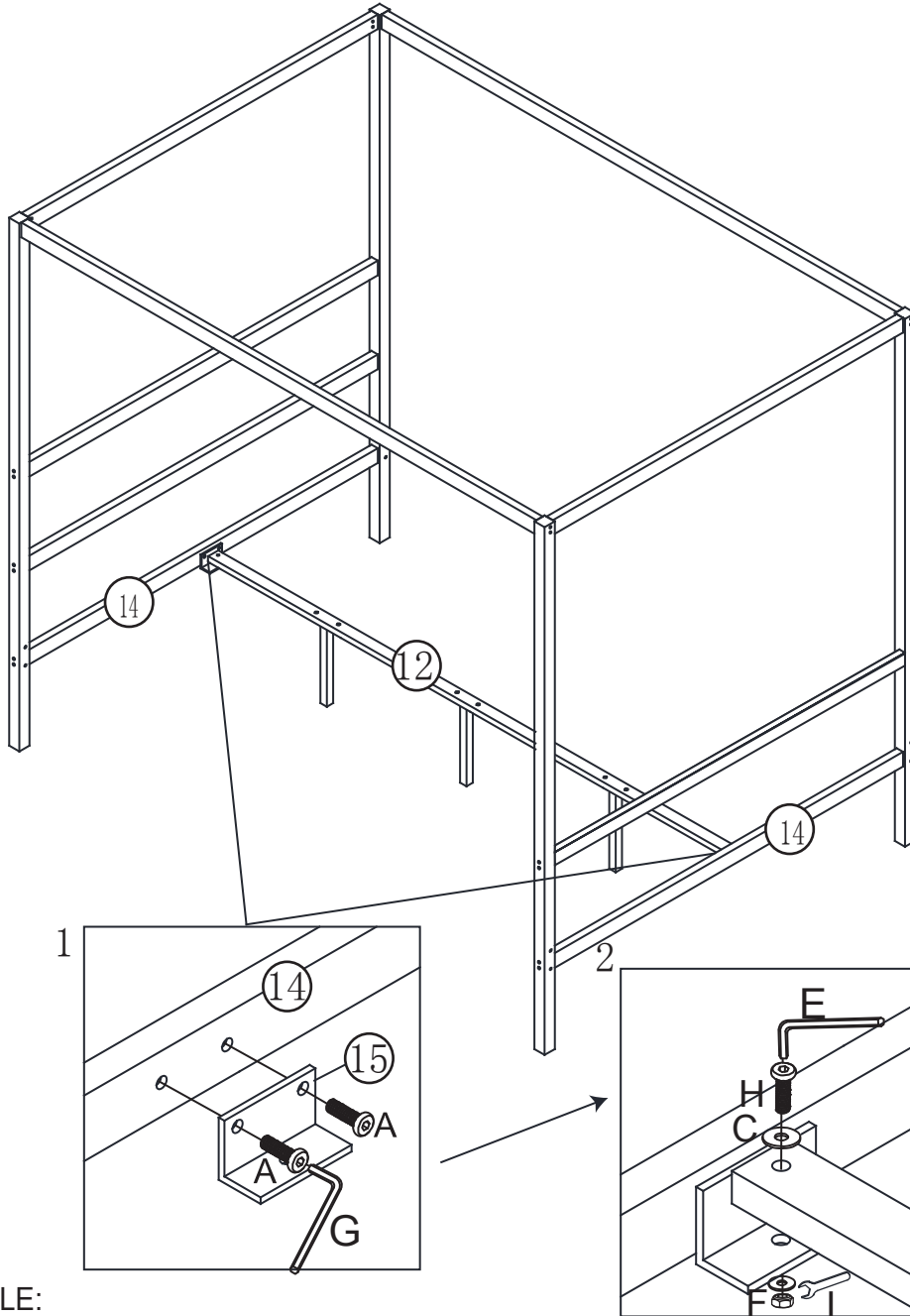
HOW TO ASSEMBLE:

Align middle support leg (13) to the screw hole on Middle Support Bar (12), insert Screw (H) and Washer (C) to the screw hole on the middle rail, install Nut (F) and Washer (C) upwards from the bottom of Middle Support Leg (13) and tighten until secure.

CODE	HARDWARE	QTY
H	 M8X35	6
F	 M8	6
C	 M8X18	12






STEP 4

Mount Middle Support Bar



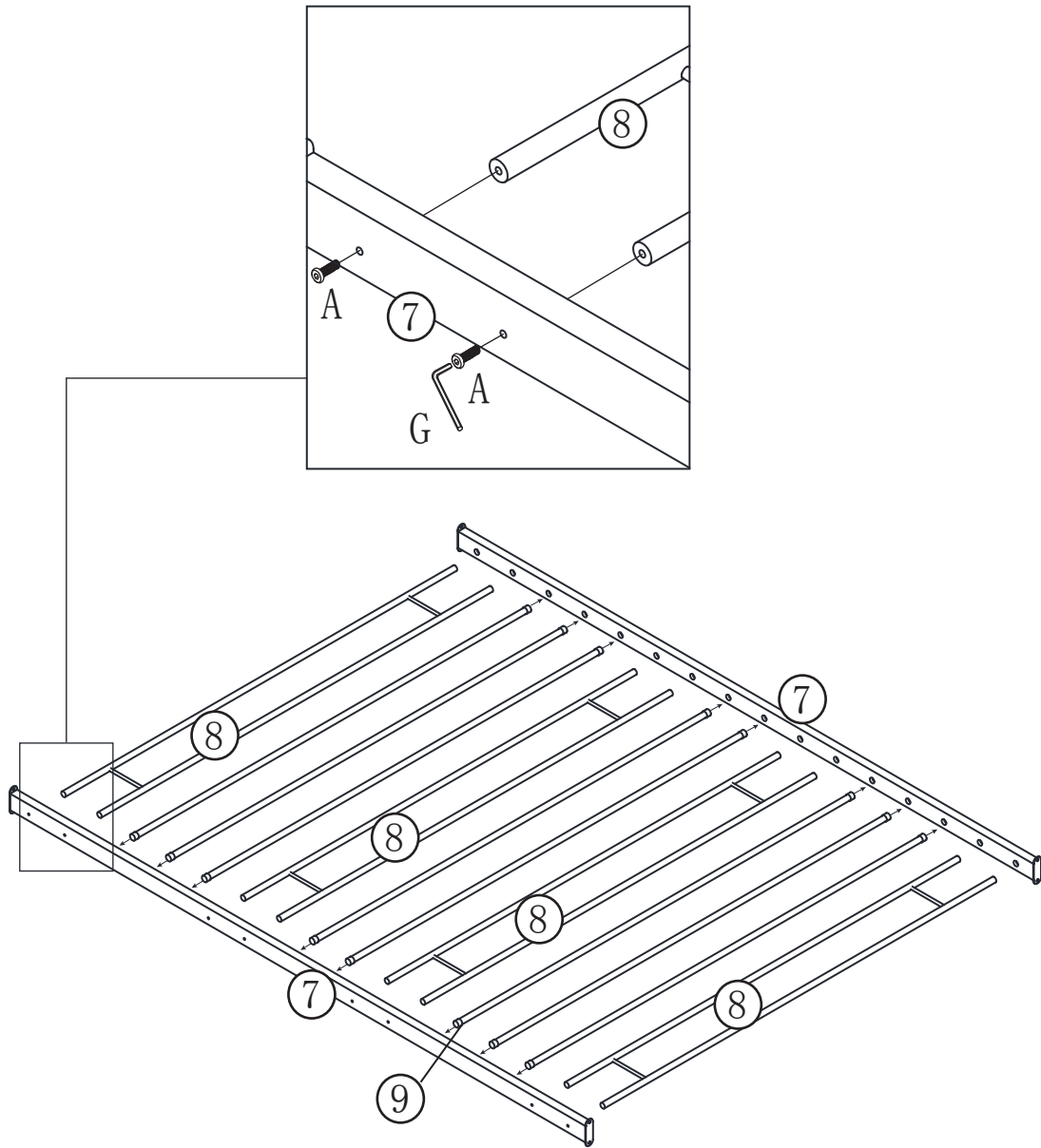
HOW TO ASSEMBLE:

1. Use Screw (A) to secure Accessory (15) to Left & Right Side Rail (14)
2. Put Middle Support Bar (12) on Accessory (15); install Screw (H) and Washer (C) to the screw hole of Middle Support Bar (12) and Accessory (15); install Nut (F) and Washer (C) from the bottom of Accessory (15) and tighten to secure. (Note: There's a rubber ring on the nut to better secure the screw. Please use Wrench (I) and apply more force to tighten the nut up further.)

CODE	HARDWARE	QTY
A	 M6X20	4
C	 M8X18	4
F	 M8	2
H	 M8X35	2
I		1

STEP 5


Assemble Bed Slats



HOW TO ASSEMBLE:

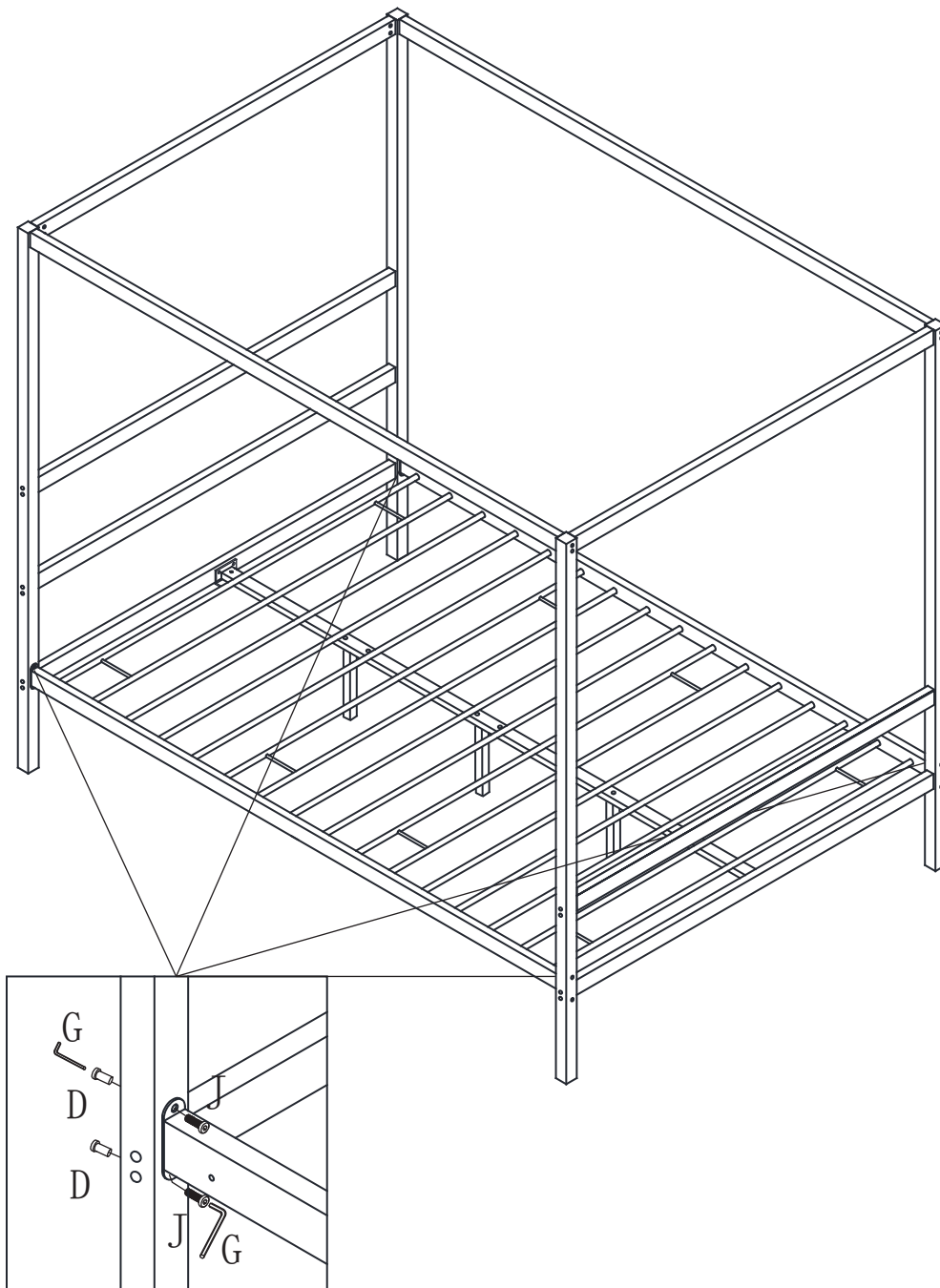
This step requires at least 4 people to assemble, please install the slat from one end to the other.

Install Support Slat (8&9) to the round hole of Bed Side Rail (7), insert Support Slat (8) into the threaded round hole, insert Round Tube (9) into the non-threaded round hole; install Screw (A) to the screw hole of Bed Side Rail (7) to secure Support Slat (8).

CODE	HARDWARE	QTY
A	 M6X20	16

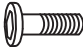

STEP 6

Mount Bed Slats to Side Rails



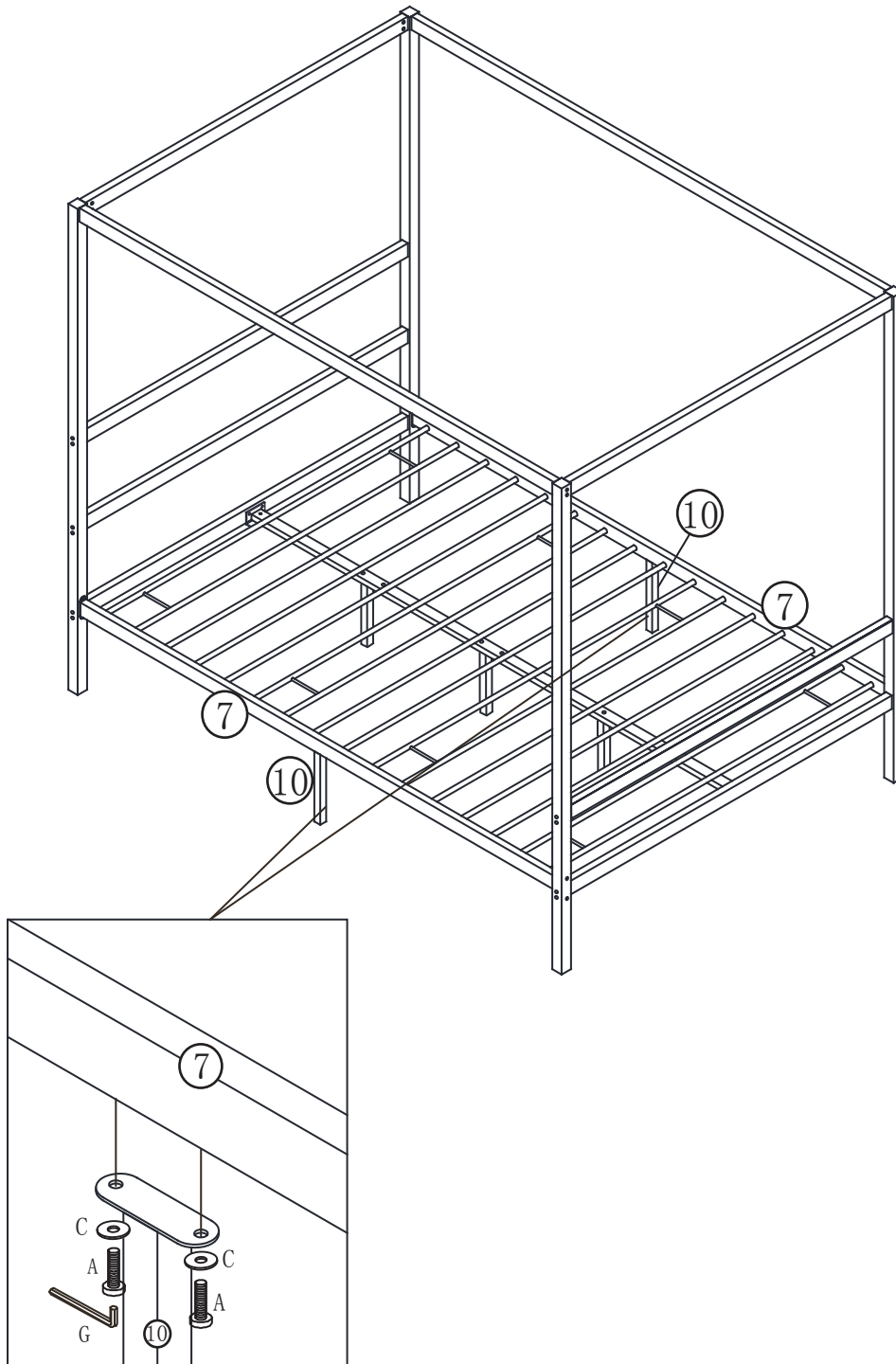
HOW TO ASSEMBLE:

Align bed slats assembled in STEP 3 to the screw hole on Rails (1&2&5&6), put Nut (D) to the screw hole on the outer side of rail, install Screw (G) to the screw hole on Bed Side Rail (7) to secure.

CODE	HARDWARE	QTY
J	 M6X35	8
D	 M6X18	8

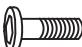

STEP 7

Assemble Support Legs



How To Assemble:

Align Center Support Leg (10) to the screw hole on Bed Side Rail (7), insert screw (A) upwards to the hole on the leg and tighten until secure.

CODE	HARDWARE	QTY
A	 M6X20	4
C	 M6	4